

Squeezing in the audio gravitational wave detection band

Kirk McKenzie,¹ Nicolai Grosse,^{1,2} Warwick P. Bowen,² Stanley E. Whitcomb,³ Malcolm B. Gray,¹ David E. McClelland,¹ and Ping Koy Lam^{1,2}

¹*Center for Gravitational Physics, Department of Physics, Faculty of Science, The Australian National University, ACT 0200, Australia*

²*Quantum Optics Group, Department of Physics, Faculty of Science, The Australian National University, ACT 0200, Australia*

³*LIGO Laboratory, Californian Institute of Technology, Pasadena, California, 91125, USA*

(Dated: October 24, 2018)

We demonstrate the generation of broad-band continuous-wave optical squeezing down to 200Hz using a below threshold optical parametric oscillator (OPO). The squeezed state phase was controlled using a noise locking technique. We show that low frequency noise sources, such as seed noise, pump noise and detuning fluctuations, present in optical parametric amplifiers have negligible effect on squeezing produced by a below threshold OPO. This low frequency squeezing is ideal for improving the sensitivity of audio frequency measuring devices such as gravitational wave detectors.

PACS numbers: 04.80.Nn, 42.50.Lc, 42.65.Yj, 95.55.Ym

Squeezed light was proposed for quantum noise reduction in interferometric gravitational wave (GW) detection over two decades ago[1]. Since then, the first generation of long baseline GW detectors - LIGO[2], VIRGO[3], GEO 600[4] and TAMA 300[5] have been built and recently begun operation. The second generation of detectors, such as Advanced LIGO[6], are currently in the late planning stages. The prediction that they will be quantum noise limited (QNL) across most of the GW signal band (10Hz-10⁴Hz) has led to further theoretical investigations into the use of squeezing [7, 8, 9] and other optical methods [10, 11, 12] for quantum noise reduction. However, to date only one experimental demonstration of quantum noise reduction in a GW detector configuration has been reported [13], and that result was obtained well above the GW signal band.

To be applicable to GW detectors, the requirements on squeezing include; continuous-wave (CW) at 1064nm, squeezed at the GW signal frequency, compatible with readout techniques [14], controllable phase and a high level of squeezing (~10dB). Although squeezed light was first demonstrated in 1985 [15] a CW squeezed source at audio frequencies has not been reported until now. Laser relaxation oscillation and other technical noise sources have typically confined squeezing to the MHz range.

Two of the most successful systems for squeezing generation have been the optical parametric oscillator (OPO) and optical parametric amplifier (OPA), for example see [16, 17]. OPA and OPO have the same underlying second order nonlinearity, however, they differ in that the OPA process has a coherent seed field at the fundamental wavelength, whereas the OPO does not and is seeded only by vacuum fluctuations. In theory OPO/A systems can produce squeezed states that fulfill the GW detector requirements outlined above. Experiments to date have been able demonstrate each requirement - except squeezing in the GW signal band. The lowest fre-

quency CW squeezing experiments reported so far include Bowen *et al* [18], Schnabel *et al* [19] and Laurat *et al* [20] demonstrating squeezing down to 220kHz, 80kHz and 50kHz, respectively. These experiments used either OPO or OPA, with [18, 19] relying on common mode noise cancellation techniques.

In this letter we report the generation of high purity squeezing by a below threshold OPO at sideband frequencies down to 200Hz, continuous from 280Hz to well above 100kHz, covering a large portion of the audio GW detection band. The phase of the squeezed vacuum relative to the homodyne detector was controlled without a carrier by using a noise dither locking technique, see for example [20]. The inferred squeezing level (adjusted for detection efficiency) at the OPO output was 5.5dB±0.6dB below the shot noise limit (SNL) with inferred purity of 1.3±0.1, close to a minimum uncertainty state. We compare OPO and OPA operation and find that the presence of a coherent seed field leads to dramatic degradation of the squeezing at low frequency, due to technical noise coupling. The system operating as an OPO displays immunity to the same technical noise that degrades OPA squeezing.

Amplitude (+) and phase (-) quadrature variances, $V_{sqz}^{\pm} = \langle (X_{sqz}^{\pm})^2 \rangle$, of the singly resonant OPO/A on resonance can be modeled using linearized formalism by;

$$V_{sqz}^{\pm}(\omega) = \left[C_s V_s^{\pm}(\omega) + C_l V_l^{\pm}(\omega) + C_v^{\pm}(\omega) V_v^{\pm}(\omega) + \alpha^2 [C_p V_p^{\pm}(\omega) + C_{\Delta}^{\pm} V_{\Delta}(\omega)] \right] / |D^{\pm}(\omega)|^2 \quad (1)$$

where V_{sqz}^{\pm} contains contributions from; the seed field, V_s^{\pm} ; the pump field, V_p^{\pm} ; vacuum fluctuations from intracavity loss, V_l^{\pm} ; vacuum fluctuation entering through the output coupler, V_v^{\pm} ; and noise due to detuning fluctuations in the cavity [21], V_{Δ} , which arise from such source acousto-mechanical disturbances. Other sources, such as

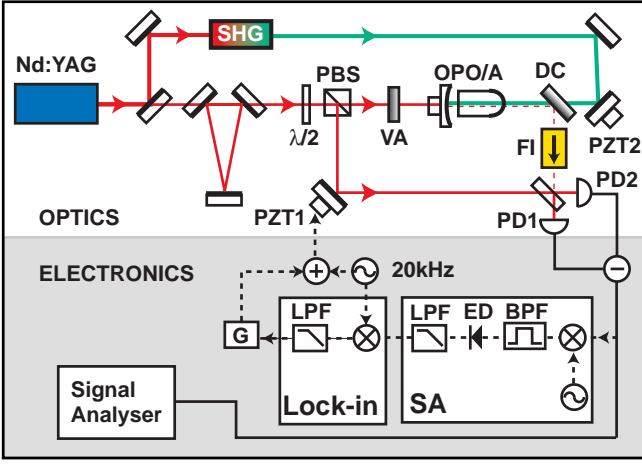


FIG. 1: Schematic of the experiment. The experiment was operated in both OPO and OPA modes. The OPA seed power was varied using a variable attenuator (VA). The OPO cavity was isolated from backscatter off the photodetectors using a Faraday isolator (FI). The control electronics for the homodyne detection phase are indicated by dashed lines. SA-Spectrum analyzer, BPF-Band pass filter, ED-Envelope detector, LPF-Low pass filter, G-Gain stage, SHG-second harmonic generator, OPO/A-optical parametric oscillator/amplifier, PZT-piezo electric transducer, PBS-polarizing beamsplitter, $\lambda/2$ -half-wave plate, DC-dichroic mirror, PD-Photodetector.

phase matching fluctuations, are not discussed here. The denominator and coupling coefficients are given by [22] [28];

$$\begin{aligned}
 D^\pm(\omega) &= i\omega + \kappa_a + \begin{bmatrix} 3 \\ 1 \end{bmatrix} \epsilon^2 \alpha^2 / (2\kappa_b) \mp \epsilon\beta \\
 C_s &= 4\kappa_{in}^a \kappa_{out}^a \\
 C_l &= 4\kappa_l^a \kappa_{out}^a \\
 C_v^\pm(\omega) &= |2\kappa_{out}^a - D^\pm(\omega)|^2 \\
 C_p &= 4\kappa_{out}^a \kappa_{in}^b (\epsilon/\kappa_b)^2 \\
 C_\Delta^\pm &= 8\kappa_{out}^a \begin{bmatrix} 0 \\ 1 \end{bmatrix}
 \end{aligned}$$

where the intra-cavity fundamental field, $\alpha = \sqrt{n}$, where n is the mean intra-cavity photon number. The parameters κ_{out}^a , κ_{in}^a and κ_l^a are the decay rates of α due to the output coupler, input coupler and loss, respectively. κ_{in}^b is the decay rate of the intra-cavity second harmonic field, β , due to the input coupler. κ_a , κ_b are the total decay rates for α and β . ϵ is the non-linear coupling parameter and ω is a small frequency shift relative to the carrier frequency. The first three terms in Eq. 1 are standard contributions from the seed noise entering through the input coupler, vacuum fluctuations due to intra-cavity loss and vacuum fluctuations entering through the output coupler. The last two terms scale with α^2 , and show

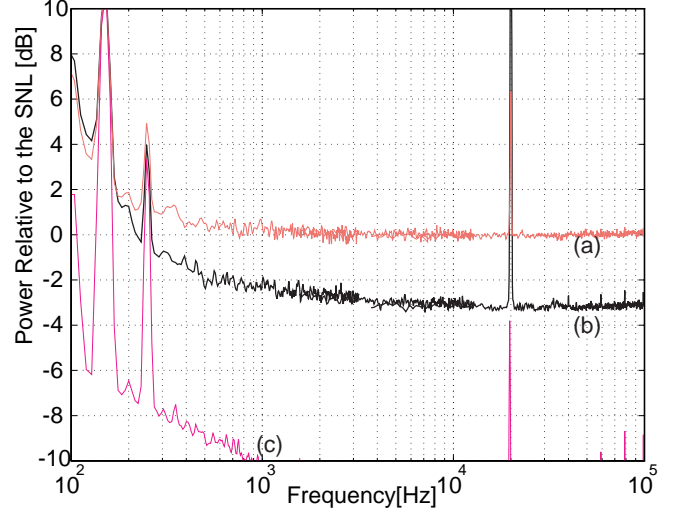


FIG. 2: Measured noise spectra for (a) the quantum noise limit, (b) the squeezed light and (c) the electronic noise of the homodyne detection system. The traces are pieced together from three FFT frequency windows: 100Hz-3.2kHz, 1.6kHz-12.8kHz, and 3.8kHz-100kHz. Each point is the averaged RMS value of 500, 1000 and 2000 measurements made in the respective ranges. The RBW of the three windows was 8Hz, 32Hz and 128Hz, respectively. The electronic noise was -12dB below the quantum noise from 10kHz-100kHz. The 20kHz peak arises from the homodyne locking signal. Peaks at 50Hz harmonics are due to electrical mains supply.

an important difference between OPO and OPA operation. That is; the fluctuations of the pump, V_p^\pm , and detuning, V_Δ , are coupled into the squeezed field, V_{sqz}^\pm via the beat with the intra-cavity fundamental field, α . Thus, a below threshold OPO ($\alpha = 0$) should be immune to these two noise sources to first order.

A schematic of the experiment setup is in Fig. 1. A Nd:YAG laser operating at 1064nm was split into two beams. One beam is used to pump the second harmonic generator (SHG). The other was spatially and temporally filtered by a mode-cleaner cavity [23] and used as the seed beam for the OPA and as local oscillator (LO) for the homodyne detector. The OPO/A and SHG are constructed out of type-I phase-matched MgO:LiNbO₃ hemilithic crystals. The curved surface of these crystals were coated for high reflectivity (HR) and the flat surface coated for anti-reflectivity (AR) at both 532nm and 1064nm. In both the SHG and OPO/A, standing-wave cavities were formed at 1064nm between the HR surface of the crystal together with an external mirror of reflectivity $R_{IR} = 96\%$ at 1064nm and $R_{GR} < 4\%$ at 532nm. The OPO/A was pumped with 100mW of 532nm light which double passed through the crystal giving a measured classical gain of 5. Results were taken in OPO mode, and in OPA mode whilst varying the seed power from 1nW-6 μ W. The squeezed state was detected on the

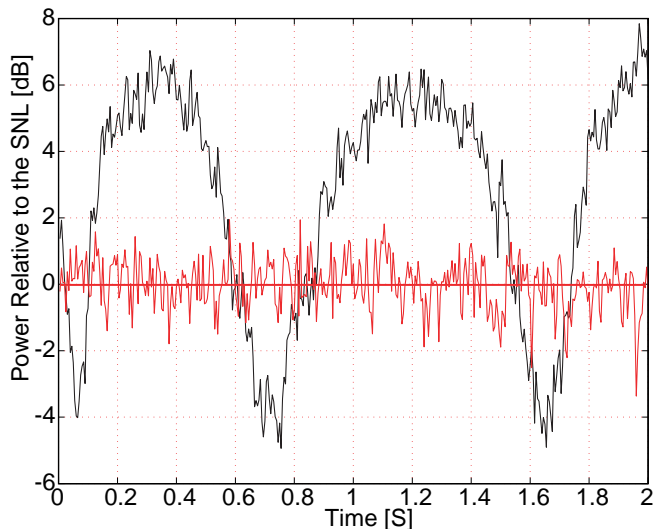


FIG. 3: The squeezed state at 11.2kHz as the phase of the homodyne is varied. RBW=1kHz, VBW=30Hz. Electronic noise (9dB below SNL) was subtracted from the data.

homodyne detection system which had 96.5% fringe visibility. Whilst in OPO operation a Faraday isolator was inserted between the OPO cavity and the photodetectors to reduce LO backscattered light. The photodetectors were built around ETX 500 photodiodes with 93% quantum efficiency. The common mode rejection of the homodyne detector was over 55dB.

The control electronics for the homodyne detection phase are indicated by dashed lines in Fig. 1. This error signal was generated by dithering the LO phase and demodulating the difference photocurrent noise power. The noise power was detected using a spectrum analyzer (Agilent-E4407B, zero span at 2MHz, RBW=300kHz, VBW=30kHz) then demodulated with a lock-in amplifier (Stanford Research Systems (SRS)-SR830) and filtered before being fed back to PZT1. The stability of the homodyne detection phase enabled us to take results without locking the OPO/A cavity - which typically stayed on resonance for 10 seconds. All data, except that in Fig. 3, was recorded on a dynamic signal analyzer (SRS-SR785).

The OPO squeezing spectrum from 100Hz-100kHz is shown in Fig. 2 [29]. Trace (a) shows the quantum noise limit of the homodyne detection system. The measurement of the squeezed light is shown in Trace (b). Trace (c) shows the electronics noise of the detection system. The roll-up in noise power in traces (a) and (b) is attributable to the imperfect homodyne cancellation at low frequencies. We see that broad-band squeezing is obtained from 280Hz to 100kHz, with the exception of a locking signal peak at 20kHz. Squeezing could not be measured at 150Hz and 250Hz due to power supply harmonics in the electronic noise. More than 0.5dB of

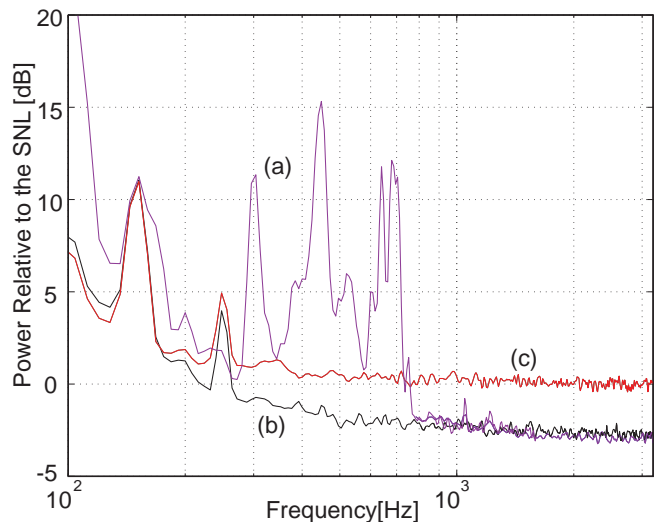


FIG. 4: The OPO spectrum 100Hz-3.2kHz without (a) and with (b) the Faraday isolator between the OPO cavity and homodyne detector. RBW=8Hz, Number of RMS averages for (a):400 for (b) and (c):500. Electronic noise (not shown) was not subtracted.

squeezing is still observable at frequencies around 200Hz.

Figure 3 shows the OPO squeezed state at 11.2kHz as the homodyne phase was varied. The measured squeezed state purity is $V^+V^- = 1.6 \pm 0.2$. The squeezing and purity at the output of the OPO can be inferred by taking into account the photodetection and homodyne efficiencies and optics loss. The inferred purity is $V^+V^- = 1.3 \pm 0.1$ and the inferred squeezing is $V_{sqz} = -5.5 \text{ dB} \pm 0.6 \text{ dB}$.

Figure 4 shows a more detailed analysis of the squeezing spectrum at the lowest frequency window of 100Hz-3.2kHz. Trace (a) shows the squeezing spectrum obtained without an isolator in front of our homodyne detection system. We observed large peaks between 300Hz and 700Hz due to low frequency noise contamination. This contamination is attributed to light from the LO backscattered from the photodetectors feeding into the OPO cavity. We note that even with the photo-detectors tilted away from retro-reflection, the scattering from the front face of the detectors, which is estimated to be of the order of 1pW, is sufficient to seed the crystal and causes parametric amplification. With the Faraday isolator in place noise coupling via parametric amplification is eliminated, as shown by Trace (b). The squeezed beam experiences an extra 9% transmission loss through the isolator. Similar to Fig. 2, electronic noise is still present at 150Hz and 250Hz.

The OPA spectrum from 2kHz-100kHz is shown in Fig. 5 for three different seed powers, 1nW, 700nW and 6 μ W. The data were recorded for optimal squeezing at 50kHz. The 1nW seed power spectrum resembles the

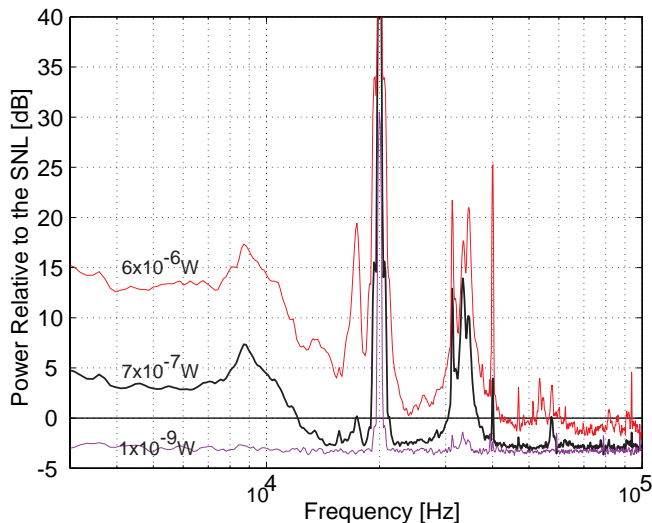


FIG. 5: The OPA spectrum 2kHz-100kHz with different OPA seed powers. RBW=128Hz, Number of RMS averages:1000, except for $6\mu\text{W}$ seed power which had 500 RMS averages. Electronic noise (at -12dB) was subtracted from all traces.

OPO spectrum, with the exception of one added feature at 34kHz. The spectrum of the 700nW seed power shows the feature at 34kHz has increased in amplitude with additional excess noise at other frequencies thereby limiting squeezing to above 10kHz. The feature at 8kHz was also present the pump intensity noise spectrum and is expected to have coupled into the squeezed field via the intra-cavity fundamental field. As the seed power was increased further, the noise floor and features in the spectrum continued to increase; by seed power $6\mu\text{W}$ there is no longer squeezing below 40kHz. The noise power increase of the OPA spectrum with seed power is evident in Fig. 6, which shows the mean noise power between 5-6kHz as a function of seed power. The experimental points indicated by ‘x’ can be compared with a model which has linear dependence on seed power, given by the solid line. Although there are large uncertainties expected in the experimental data, since the OPA cavity was not locked, the data is not inconsistent with the linear trend predicted by the theory in Eq. 1.

In summary, we have presented results demonstrating OPO squeezed vacuum down to 200Hz. The phase of squeezed vacuum was controlled using a noise locking technique. Such squeezed states could already be of use for reduction of shot noise in first generation GW detectors. The comparison of the OPO and OPA results highlights the immunity of OPO and the sensitivity of OPA to technical noise. The direction of our future research will be to implement an OPO cavity lock, increase the level of squeezing and probe frequencies lower than 100Hz for use in second generation GW detectors.

In addition to the possible application to GW detec-

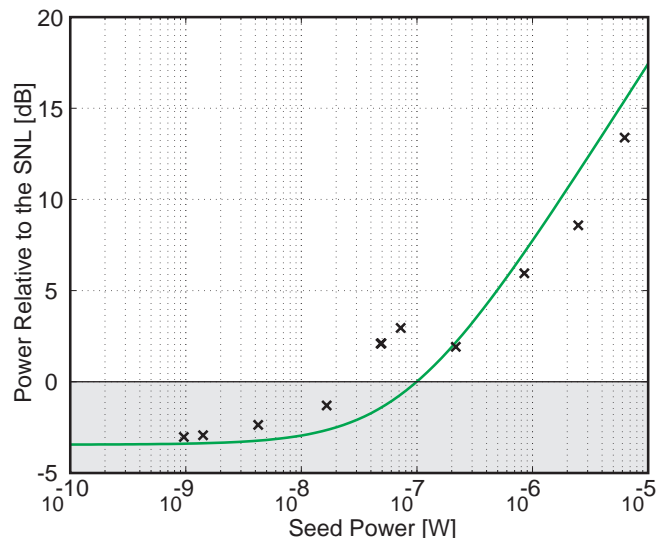


FIG. 6: The average noise power from 5-6kHz as a function of seed power, experimental data indicated by ‘x’, model fit given by line. Electronic noise (at -12dB) was subtracted from all data.

tors, low frequency squeezed light could potentially be used to enhance many measurement devices with optical readout. These include atomic force microscopes[24] and thermo-optical spectrometers[25]. Many long-standing experimental goals in quantum optics, such as the inhibition of atomic decay[26] and sub-Doppler cooling of two-level atoms[27], could also be facilitated using broadband low frequency squeezing.

We thank Keisuke Goda, Julien Laurat and Nicolas Treps for useful discussions. This research was supported by the Australian Research Council. SW was supported by the United States National Science Foundation under Cooperative Agreement No. PHY-0107417. This paper has been assigned LIGO Laboratory document number LIGO-P040018-00-R.

-
- [1] C. M. Caves, Phys. Rev. D **23**, 1693 (1981).
 - [2] B. Abbott *et al*, Nuclear Instruments and Methods **517** 174 (2004).
 - [3] B. Caron *et al.*, Class. Quantum Grav. **14**, 1461 (1997)
 - [4] H. Lück *et al.*, Class. Quantum Grav. **14**, 1471 (1997)
 - [5] M. Ando *et al.*, Phys. Rev. Lett. **86**, 3950 (2001)
 - [6] D. Schumaker, Class. Quantum Grav. **20**, S11 (2003)
 - [7] H.J. Kimble *et al.* Phys. Rev. D **65**, 022002 (2002).
 - [8] J. Harms *et al* Phys. Rev. D **68**, 042001 (2003)
 - [9] T. Corbitt and N. Mavalvala. SPIE Proceedings **5111**, pp.23 (2003)
 - [10] J.-M. Courty, A. Heidmann and M. Pinard Phys. Rev. Lett. **90** 083601 (2003)
 - [11] A. Buonanno and Y. Chen Phys. Rev. D **64** 042006 (2001)

- [12] V. B. Braginsky *et al* Phys. Rev. D **61** 044002 (2000)
- [13] K. McKenzie *et al*, Phys. Rev. Lett. **88**, 231102 (2002).
- [14] A. Buonanno, Y. Chen and N. Mavalvala Phys. Rev. D **67**, 122005 (2003).
- [15] R. E. Slusher *et al.*, Phys. Rev. Lett. **55**, 2409 (1985).
- [16] P. K. Lam *et al.*, J. Opt. B **1**, 469 (1999).
- [17] M. Xiao *et al.*, Phys. Rev. Lett. **59**, 278 (1987).
- [18] W. P. Bowen *et al.*, J. Opt B, **4** 421-424 (2002)
- [19] R. Schnabel *et al.*, arXiv:quant-ph/0402064
- [20] J. Laurat *et al.*, arXiv:quant-ph/0403224
- [21] B. C. Buchler *et al.*, Opt. Lett. **24**, 259 (1999)
- [22] W. P. Bowen, PhD Thesis, Australian National University, Canberra, 2004.
- [23] A. Rüdiger *et al.*, Opt. Acta **28**, 641 (1981).
- [24] N. Treps *et al*. Science **301**, 940 (2003)
- [25] A. C. Boccara, D. Fournier, and J. Badoz, Applied Phys. Lett. **36**, 130 (1980)
- [26] C. W. Gardiner, Phys. Rev. Lett. **56**, 1917 (1986).
- [27] Y. Shevy, Phys. Rev. Lett. **64**, 2905 (1990)
- [28] The notation $[\begin{smallmatrix} 3 \\ 1 \end{smallmatrix}]$ means multiply by 3 for the amplitude quadrature or 1 for the phase quadrature.
- [29] The OPO squeezing spectrum continues to 10's of MHz, as reported in [22].