

A pulsed source of continuous variable polarization entanglement

Oliver Glöckl† Joel Heersink† Natalia Korolkova† Gerd
Leuchs† Stefan Lorenz† §

† Zentrum für Moderne Optik, Physikalisches Institut, Universität
Erlangen–Nürnberg, Staudtstraße 7/B2, 91058 Erlangen, Germany

Abstract. We have experimentally demonstrated polarization entanglement using continuous variables in an ultra-short pulsed laser system at the telecommunications wavelength of $1.5 \mu\text{m}$. Exploiting the Kerr non-linearity of a glass fibre we generated a polarization squeezed pulse with \hat{S}_2 as the only non-zero Stokes parameter thus \hat{S}_1 and \hat{S}_3 being the conjugate pair. Polarization entanglement was generated by interference of the polarization squeezed field with a vacuum on a 50:50 beam splitter. The two resultant beams exhibit strong quantum noise correlations in \hat{S}_1 and \hat{S}_3 . The sum noise signal of \hat{S}_3 was at the respective shot noise level and the difference noise signal of \hat{S}_1 fell -2.9 dB below this value.

1. Introduction

The emerging field of quantum information processing relies on certain quantum mechanical state properties. Particularly entanglement of two or more sub states cannot be described classically and is crucial for quantum information and communication protocols such as teleportation and cryptography. The first experimental realizations of entangled states used two two-level systems (qubits) [1]. In recent years, not only these discrete systems were improved, but also a new type emerged: continuous variable systems [2]. These use continuous quantum observables such as amplitude and phase quadratures of the electromagnetic field for the entanglement in analogy to position and momentum of the original EPR gedankenexperiment [3].

In the case of intense light fields the polarization can be described by a set of continuous variables which can be entangled. The advantage of polarization over quadrature entanglement is the ease of detection, which does not require a phase reference such as a local oscillator. All relevant polarization parameters can be determined by passive setups using direct detection [4].

The first experiments on polarization squeezing used continuous wave light and parametric processes [5, 6]. In silica fibres quadrature squeezing [7, 8, 9, 10] and polarization squeezing [11] have been shown experimentally. Entanglement can be generated from squeezing using passive elements such as beam splitters. Entanglement of quadratures has also been achieved [2, 12]. Polarization entanglement of continuous wave light was recently shown by Bowen et al. [13] by transformation of quadrature entanglement. In this paper we present a source for pulsed polarization entanglement which is compact and stable.

2. Polarization entanglement

To describe the quantum polarization state of an intense light field, one can use the quantum Stokes operators [14, 15, 16, 17], which are derived from the classical Stokes parameters [18]. If $\hat{a}_{x/y}$ and $\hat{a}_{x/y}^\dagger$ denote the photon annihilation and creation operators of two orthogonal polarization modes x and y, and \hat{n}_x and \hat{n}_y are the photon number operators of these modes, the quantum Stokes operators read as follows:

$$\begin{aligned}\hat{S}_0 &= \hat{a}_x^\dagger \hat{a}_x + \hat{a}_y^\dagger \hat{a}_y = \hat{n}_x + \hat{n}_y, \\ \hat{S}_1 &= \hat{a}_x^\dagger \hat{a}_x - \hat{a}_y^\dagger \hat{a}_y = \hat{n}_x - \hat{n}_y, \\ \hat{S}_2 &= \hat{a}_x^\dagger \hat{a}_y + \hat{a}_y^\dagger \hat{a}_x, \\ \hat{S}_3 &= i(\hat{a}_y^\dagger \hat{a}_x - \hat{a}_x^\dagger \hat{a}_y).\end{aligned}\tag{1}$$

The operators \hat{S}_1 , \hat{S}_2 , and \hat{S}_3 follow the operator valued commutation relation of a SU(2) Lie algebra:

$$[\hat{S}_k, \hat{S}_l] = 2i\varepsilon_{klm}\hat{S}_m.\tag{2}$$

This gives rise to a set of three Heisenberg-type uncertainty relations:

$$V_1 V_2 \geq |\langle \hat{S}_3 \rangle|^2, \quad V_3 V_1 \geq |\langle \hat{S}_2 \rangle|^2, \quad V_2 V_3 \geq |\langle \hat{S}_1 \rangle|^2.\tag{3}$$

Thus, for a light beam with non-zero $\langle \hat{S}_2 \rangle$, as in our experiment, the values of \hat{S}_1 and \hat{S}_3 cannot be determined with arbitrary accuracy. The variance $V_j = \langle \hat{S}_j^2 \rangle - \langle \hat{S}_j \rangle^2$ of \hat{S}_j cannot vanish for $j = 1$ and $j = 3$ simultaneously. A state which obeys

$$V_k < |\langle \hat{S}_l \rangle| < V_m, \quad k \neq l \neq m \quad (4)$$

is a polarization squeezed state ([4] and references therein).

Polarization entanglement of two intense light fields can be characterized in two ways, both derived from the characterization of quadrature entanglement. One possibility is to check if one can infer the value of a noncommuting observable of one subsystem from a measurement on the other subsystem of the pair to a precision better than given by the Heisenberg uncertainty relation [19]. This is called EPR entanglement. The measure of the precision of such inference is the conditional variance V_{cond} for the subsystems A and B

$$V_{cond}(\hat{S}_{k,A}|\hat{S}_{k,B}) = \left\langle (\delta\hat{S}_{k,A})^2 \right\rangle - \frac{|\langle \delta\hat{S}_{k,A}\delta\hat{S}_{k,B} \rangle|^2}{\langle (\delta\hat{S}_{k,B})^2 \rangle}, \quad (5)$$

where we defined

$$\hat{S}_k = \langle \hat{S}_k \rangle + \delta\hat{S}_k. \quad (6)$$

A state is then EPR entangled if [4, 13]:

$$V_{cond}(\hat{S}_{1,A}|\hat{S}_{1,B})V_{cond}(\hat{S}_{3,A}|\hat{S}_{3,B}) < |\langle \hat{S}_{2,B} \rangle|^2. \quad (7)$$

The other entanglement criterion was derived by Duan [20] and Simon [21] as an extension of the Peres-Horodecki non-separability criterion for continuous variables. A state with nonvanishing $\langle \hat{S}_2 \rangle$ is called polarization entangled if

$$V(\hat{S}_{1,A} - \hat{S}_{1,B}) + V(\hat{S}_{3,A} + \hat{S}_{3,B}) < 2|\langle \hat{S}_{2,A} \rangle| + 2|\langle \hat{S}_{2,B} \rangle|. \quad (8)$$

A state which is non-separable according to equation (8) can be generated by the interference of a polarization squeezed light field with a vacuum field on a 50:50 beam splitter (see figure 3). If the polarization squeezed beam is composed of two such orthogonally polarized amplitude squeezed beams the resulting beam is polarized along the S_2 direction. These beams exhibit quantum correlations in \hat{S}_1 and \hat{S}_3 . As the input vacuum has an uncertainty identical to that of a coherent state (i.e. it is not squeezed), the variance $V(\hat{S}_{3,A} + \hat{S}_{3,B})$ corresponds to the shot noise of a coherent beam. However the variance $V(\hat{S}_{1,A} - \hat{S}_{1,B})$ drops below this shot noise level. If we were to feed an intense coherent field or a polarization squeezed light field instead of a vacuum into the second input port of the beam splitter, then $V(\hat{S}_{3,A} + \hat{S}_{3,B})$ would also show non-classical correlations. The advantage of using a vacuum input is experimental ease, since using an bright beam implies the necessity of a further phase lock but also produces improved correlations.

3. Experimental setup

In the experiment a Cr:YAG laser with a wavelength 1495 nm was used. It produced soliton shaped pulses (163 MHz) with a duration of 150 fs by passive modelocking through a semiconductor saturable absorber [22]. Those pulses are coherent and thus shot noise limited. To produce polarization squeezing two amplitude squeezed beams are required. These are generated in an asymmetric fibre Sagnac interferometer [10], which consist of a 93:7 beam splitter and 14.2 meters of fibre (3M-FS-PM-7811). The use of a polarization maintaining fibre allows the generation of two independent amplitude squeezed light fields of orthogonal polarization [9, 12]. However, due to the fibre birefringence the emerging pulses are temporally separated. Thus a polarization dependent delay (birefringence compensator) was inserted before the interferometer. As the two beams emerge from the same fibre, an excellent spatial overlap is achieved. The temporal coincidence is actively controlled by measuring the reflected light at the interferometer input and correspondingly adjusting the birefringence compensator. If the phase of the two emerging beams is synchronized, a polarization squeezed beam with polarization in S_2 direction is produced [11] (see figure 1).

This polarization squeezed beam is mixed with vacuum on a 50:50 beam splitter. The

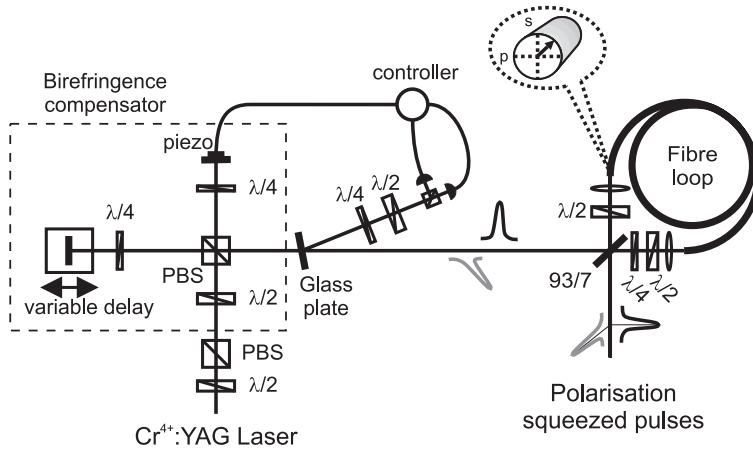


Figure 1. Birefringent compensator and nonlinear fiber Sagnac interferometer.

two resulting intense beams are directed into independent Stokes measurement setups labelled A and B (see figure 3). Each consists of two identical detectors, a polarization beam splitter and two optional retardation elements ($\frac{\lambda}{2}, \frac{\lambda}{4}$) to measure the fluctuations of \hat{S}_1 or \hat{S}_3 respectively [4] (see figure 2). The detected AC photocurrents are passively added or subtracted and monitored on two spectrum analyzers (HP 8590E, measurement frequency 17.5 MHz, 300 kHz resolution bandwidth, 30 Hz video bandwidth). To determine the degree of polarization squeezing the 50:50 beam splitter was removed.

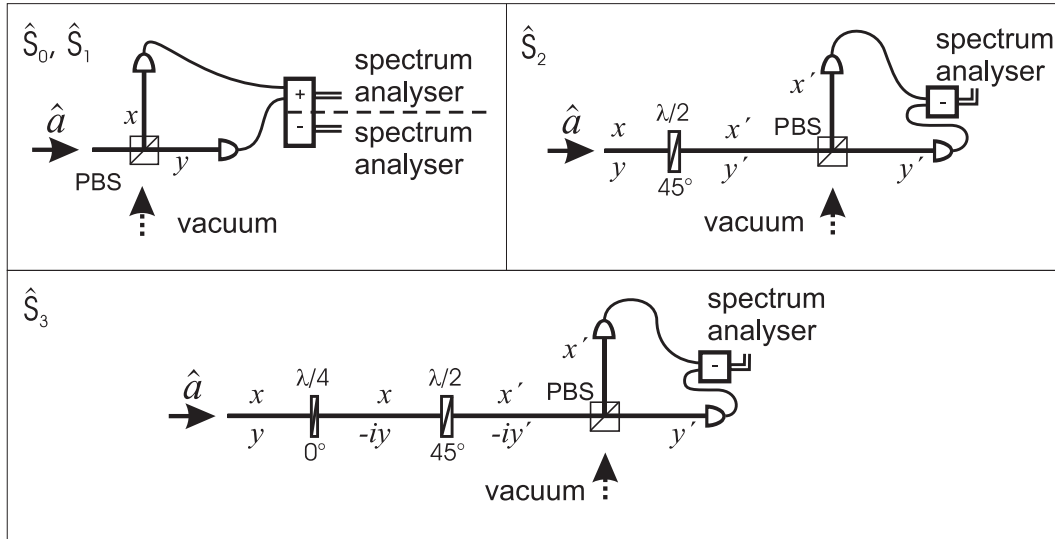


Figure 2. Detection setups for the Stokes parameters. The unknown polarization state \hat{a} is split at a polarizing beam splitter and measured on two detectors. Upper left: \hat{S}_0 and \hat{S}_1 ; upper right: \hat{S}_2 ; below: \hat{S}_3 .

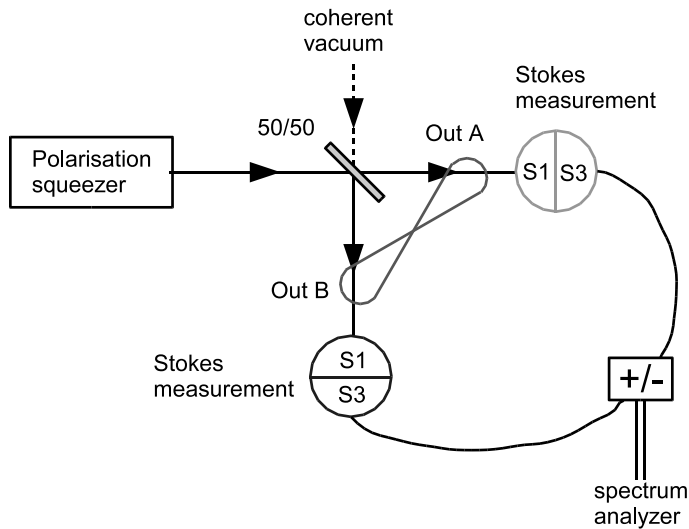


Figure 3. Setup for the generation of polarization entanglement. In the two output ports, A and B, the Stokes parameters S_1 and S_3 were measured. The photocurrents were added/subtracted to check for correlations.

4. Results

Polarization squeezing of -3.4 dB in the \hat{S}_1 parameter was observed, while its canonic conjugate, the \hat{S}_3 parameter, is anti-squeezed by +23.5 dB (see figure 4). The noise traces to characterize polarization squeezing as well as those for the polarization

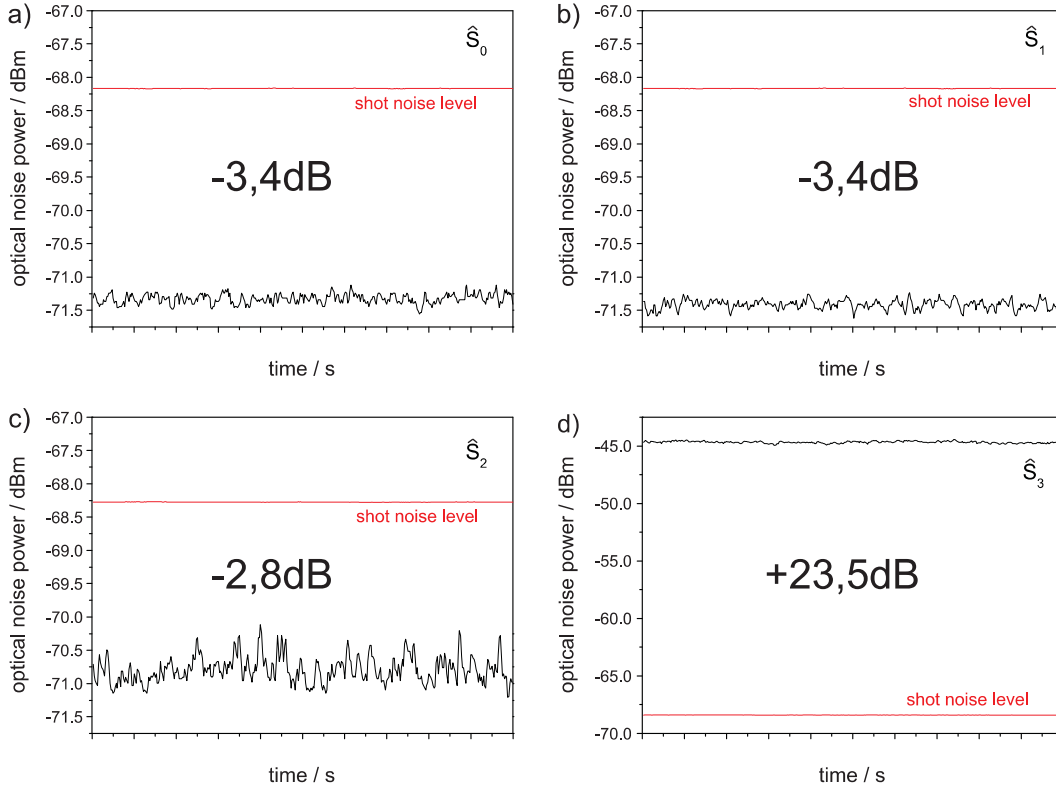


Figure 4. Characterization of the polarization squeezing source. \hat{S}_0 and \hat{S}_2 are amplitude squeezed, \hat{S}_1 is polarization squeezed and \hat{S}_3 is anti-squeezed.

entanglement were corrected for electronic noise which was -86.9 dBm.

Polarization entanglement was generated using the scheme described above. As the specific polarization squeezed state from our setup has a nonzero \hat{S}_2 mean value, equation (8) can be used to check for non-separability. The non-classical correlations in the conjugate Stokes parameters were observed by measuring the respective Stokes parameters at the two output ports of the beam splitter and taking the variance of the sum and the difference signals. In figure 4 the variance of $\hat{S}_{1,A} - \hat{S}_{1,B}$ is plotted as well as the variances of the Stokes parameters of the individual modes at the output ports A and B and the corresponding shot noise level. The difference signal is 2.9 dB below the shot noise level. Each individual mode is already squeezed in \hat{S}_1 , but only by -1.3 dB due to the contribution of the vacuum fluctuations. Non-classical correlations in the \hat{S}_1 parameter are observed and we found $V(\hat{S}_{1,A} - \hat{S}_{1,B}) = 0.52$. Note that the noise traces of the polarization squeezing and the polarization entanglement experiments can not be compared directly, as additional electronic rf-splitters/combiners, which attenuate the detected photocurrents, are necessary in the polarization entanglement setup.

The noise traces of the \hat{S}_3 parameter are rather different. Each individual signal at the two output ports has a high degree of noise, as the initial beam was anti-squeezed in the \hat{S}_3 parameter. Nevertheless, the variance of the sum signal $\hat{S}_{3,A} + \hat{S}_{3,B}$ coincides with

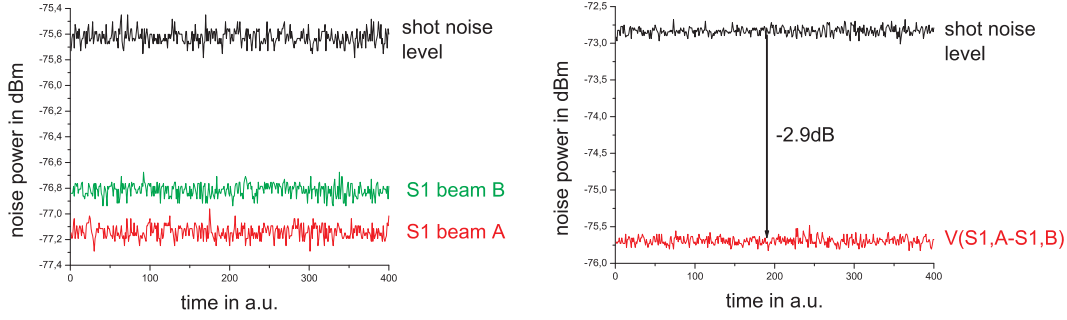


Figure 5. Polarization squeezing (left) and correlations (right) in the \hat{S}_1 parameter. The difference noise $V(S_{1,A} - S_{1,B})$ is 2.9 dB below shot noise.

the shot noise level. Thus, the squeezing variance $V(\hat{S}_{3,A} + \hat{S}_{3,B}) = 1$. The applicaton

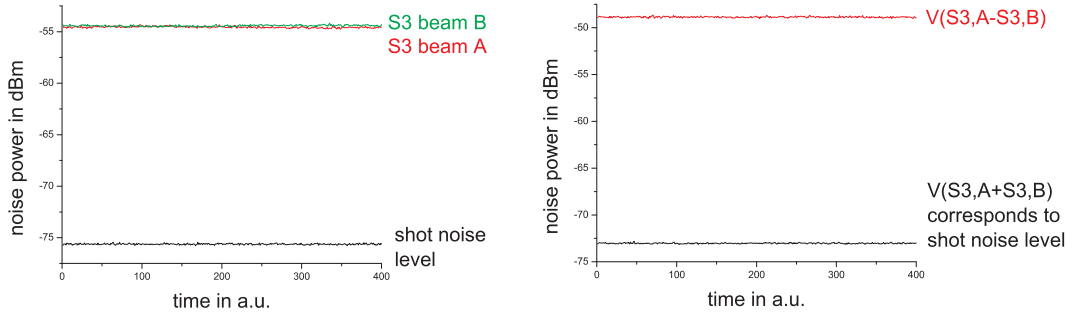


Figure 6. Polarization anti-squeezing (left) and correlations (right) in the \hat{S}_3 parameter. The sum noise $V(S_{3,A} + S_{3,B})$ is at the shot noise level.

of the non-separability criterion of equation (8),

$$\frac{V(\hat{S}_{1,A} - \hat{S}_{1,B}) + V(\hat{S}_{3,A} + \hat{S}_{3,B})}{\langle \hat{S}_{2,A} \rangle + \langle \hat{S}_{2,B} \rangle} = 0.52 + 1 < 2, \quad (9)$$

proves that a highly correlated non-separable quantum state in the Stokes variables has been generated.

5. Conclusions and outlook

We have shown that the source described above produces two intense light fields which are entangled in their polarization variables. Thus the entanglement was detected and manipulated without the need of a stable phase reference as it is the case for quadrature entanglement. All relevant parameters were checked in direct detection. In contrast to sources using, e.g. optical parametric amplifiers, only one phase has to be locked, to achieve good stability. Only one nonlinear device (a polarization maintaining fibre) is needed to produce the entanglement, making the source compact.

The degree of entanglement can be further improved in two ways. To generate sub shot noise quantum correlations in both conjugate variables one needs to combine the polarization squeezed beam with a bright coherent beam instead of the vacuum. Both variances in equation (9) would then drop below 1 as it is desirable for many applications of polarization entanglement in quantum communication protocols. The complexity of the experiment would increase only moderately, as one additional phase would be locked. To increase the degree of polarization entanglement even further, the interference of two polarization squeezed beams at the 50:50 beam splitter is necessary. This would result in a polarization entanglement equal to the degree of the amplitude squeezing invested, in our case more than 3 dB. The price one has to pay is the need for another birefringent compensator and fibre Sagnac interferometer.

The source is especially suited for future quantum communication experiments as it produces entangled states deterministically and at a high repetition rate limited only by the laser repetition rate. A further fibre integration of the source would simplify its introduction into existing communication networks. Thus its use in further quantum information and communication experiments for teleportation and quantum cryptography is very promising.

Acknowledgments

This work was supported by the Schwerpunkt Programm 1078 of the Deutsche Forschungsgemeinschaft and by the EU grant under QIPC, project IST-1999-13071 (QUICOV). We thank T. Gaber for extensive experimental help with the polarization squeezing setup and Ch. Marquardt for technical assistance.

References

- [1] C.S. Wu and I. Shaknov. The angular correlation of scattered annihilation radiation. *Phys. Rev.*, 77:136, 1950.
- [2] Z. Y. Ou, S. F. Pereira, H. J. Kimble, and K. Peng. Realization of the Einstein-Podolsky-Rosen paradox for continuous variables. *Phys. Rev. Lett.*, 68:3663, 1992.
- [3] A. Einstein, B. Podolsky, and N. Rosen. Can quantum-mechanical description of physical reality be considered complete? *Phys. Rev.*, 47:777, 1935.
- [4] N. Korolkova, G. Leuchs, R. Loudon, T. C. Ralph, and Ch. Silberhorn. Polarization squeezing and continuous variable polarization entanglement. *Phys. Rev. A*, 65:052306, 2002.
- [5] J. Hald, J. L. Sørensen, C. Schori, and E. S. Polzik. Entanglement transfer from light to atoms. *J. Mod. Opt.*, 47:2599, 2001.
- [6] W. P. Bowen, R. Schnabel, H.A. Bachor, and P. K. Lam. Polarization squeezing of continuous variable Stokes parameters. *Phys. Rev. Lett.*, 88:093601, 2002.
- [7] M. Rosenbluh and R. M. Shelby. Squeezed optical solitons. *Phys. Rev. Lett.*, 66:153, 1991.
- [8] K. Bergmann and H. A. Haus. Squeezing in fibers with optical solitons. *Opt. Lett.*, 16:663, 1991.
- [9] N. Korolkova, G. Leuchs, S. Schmitt, C. Silberhorn, A. Sizmann, M. Stratmann, O. Weiß, and H.-A. Bachor. Controlling the quantum properties of optical solitons in fibres. *Nonlinear Opt.*, 24:223, 2000.
- [10] S. Schmitt, J. Ficker, M. Wolff, F. König, A. Sizmann, and G. Leuchs. Photon-number squeezed solitons from an asymmetric fiber-optic Sagnac interferometer. *Phys. Rev. Lett.*, 81:2446, 1998.

- [11] J. Heersink, T. Gaber, S. Lorenz, O. Glöckl, N. Korolkova, and G. Leuchs. Polarization squeezing of intense pulses with a fibre Sagnac interferometer. Submitted, 2003.
- [12] Ch. Silberhorn, P. K. Lam, O. Weiß, F. König, N. Korolkova, and G. Leuchs. Generation of continuous variable Einstein-Podolsky-Rosen entanglement via the Kerr nonlinearity in an optical fibre. *Phys. Rev. Lett.*, 86:4267, 2001.
- [13] W. P. Bowen, N. Treps, R. Schnabel, and P. K. Lam. Experimental demonstration of continuous variable polarization entanglement. *Phys. Rev. Lett.*, 89:253601, 2002.
- [14] J. M. Jauch and F. Rohrlich. Addison-Wesley, Reading, Mass., 1955.
- [15] B. A. Robson. Clarendon Press, Oxford, 1974.
- [16] A. S. Chirkin, A. A. Orlov, and D. Yu. Paraschuk. *Quantum Electron.*, 23:870, 1993. (translated from *Kvantovaya Elektronika* 20, 999(1993)).
- [17] P. Usachev, J. Söderholm, G. Björk, and A. Trifonov. Experimental verification of differences between classical and quantum polarization properties. *Opt. Commun.*, 193:161, 2001.
- [18] G. G. Stokes. On the composition and resolution of streams of polarized light from different sources. *Trans. Camb. Phil. Soc.*, 9:399, 1852.
- [19] M. D. Reid. Demonstration of the Einstein-Podolsky-Rosen paradox using nondegenerate parametric amplification. *Phys. Rev. A*, 40:913, 1989.
- [20] L.-M. Duan, G. Giedke, J. I. Cirac, and P. Zoller. Inseparability criterion for continuous variable systems. *Phys. Rev. Lett.*, 84:2722, 2000.
- [21] R. Simon. Peres-Horodecki separability criterion for continuous variable systems. *Phys. Rev. Lett.*, 84:2726, 2000.
- [22] S. Spälter, M. Böhm, M. Burk, B. Mikulla, R. Fluck, I.D Jung, G. Zhang, U. Keller, A. Sizmann, and G. Leuchs. Self-starting soliton-modelocked femtosecond Cr(4+):YAG laser using an antiresonant Fabry-Perot saturable absorber. *Appl. Phys. B*, 65:335, 1997.