

SUPERCONDUCTING QUANTUM COMPUTING WITHOUT SWITCHES

Marc J. Feldman and Xingxiang Zhou
Department of Electrical and Computer Engineering
University of Rochester
Rochester, NY 14627, USA
feldman@ece.rochester.edu
xizhou@ece.rochester.edu

Abstract This paper presents a very simple architecture for a large-scale superconducting quantum computer. All of the SQUID qubits are fixed-coupled to a single large superconducting loop.

1. Introduction

What physical system is most appropriate for building a quantum computer? The proponents of one implementation or another usually discuss this question by reference to DiVincenzo's criteria [1]. These five criteria very nicely summarize the requirements for the physical realization of a quantum information processing system.

For our purposes, four of these criteria can be combined into a single one: good qubits. That has many implications, but we will say no more about it here. For this paper, let us assume ideal qubits. The other criterion, number four, is "A 'universal' set of quantum gates". This addresses the interactions between qubits rather than the nature of the qubits themselves. A quantum computer is, at least, a set of interacting qubits.

In this paper we will first discuss the "no switch" problem regarding superconducting implementations of quantum computing. In brief, it has been difficult to come up with a satisfactory scheme to switch the coupling between two superconducting qubits on and off. Then we will mention several possibilities for quantum computing using fixed, rather than switchable, couplings between qubits, and indicate why these are unsatisfactory for superconducting qubits as well.

Our solution to this situation is based on recent work [2] in which a virtual switch, rather than a substantial physical switch, is realized by carrying

out the steps of the quantum computation in and out of designed “interaction free subspaces” which are analogous to decoherence free subspaces. We will give examples of how these virtual switches can be employed in a variety of different architectures for a superconducting quantum computer.

Finally we explore one particular architecture at much greater length. Many SQUID qubits are fixed-coupled to a single large superconducting loop. We show that this is adequate for large-scale quantum computing, and specify the requisite parameters. The parameters are chosen for rf-SQUID qubits [3, 4] but this architecture is equally appropriate for persistent current SQUID qubits [5] as well.

2. The “No-Switch” Problem

Quantum algorithms are generally formulated in terms of a collection of qubits subject to a sequence of single-qubit operations and two-qubit gates. A two-qubit gate such as the CNOT can be represented by a unitary 4×4 matrix over the bases of the two qubits. Taken literally, such an algorithm implies that there are three distinct modes of operation of a quantum computer. Two qubits have: 1) the idle mode in which information is stored in qubits which do not evolve, 2) the single-qubit operation mode in which local fields applied to qubit 1 have no effect on qubit 2, and 3) the two qubit operation mode in which qubit 1 and qubit 2 are coupled together and a quantum gate is realized through the coupling Hamiltonian. The two-qubit Hamiltonian that expresses this is

$$H = -\vec{B}_1(t) \cdot \vec{\sigma}_1 - \vec{B}_2(t) \cdot \vec{\sigma}_2 + \sum_{\alpha,\beta} J_{12}^{\alpha\beta}(t) \sigma_1^\alpha \sigma_2^\beta, \quad (1)$$

where σ 's are the Pauli matrices, \vec{B}_i is the local field at qubit i , and J_{12} is the coupling strength. \vec{B}_i and J_{12} are time dependent under external control. To alternate between the three operational modes it is necessary that \vec{B}_i be turned on and off as required and J_{12} be turned on and off as required. In other words, there must be a switch between qubit 1 and qubit 2.

In both flux and charge [7, 8] superconducting qubits, the control of the time dependence of B_x and B_z is relatively “easy”. As illustrated in Fig. 1, time dependent B_x and B_z fields on superconducting qubits are achieved by simply varying the biases. The fixed coupling between qubits is “easy” for the superconducting qubits as well, as shown in Figure 2. The flux qubits can be coupled by a simple inductive connection, and the charge qubits can be coupled by a simple capacitive connection between them. This is certainly “easy” too. In fact a fixed inductive coupling between rf-SQUID qubits was diagrammed in the first paper written on superconducting quantum computing [3].

Variable coupling between superconducting qubits is much harder. There are many proposed schemes, but it is generally agreed that none of these

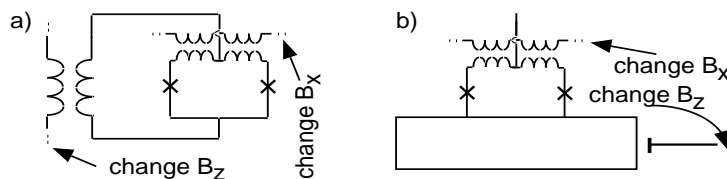


Figure 1. (a) A flux qubit biased near $\Phi_0/2$, for which the remove from one-half flux quantum acts as the B_z field, and the suppression of the effective critical current acts as the B_x field. (b) A charge qubit, for which the remove from a single-charge voltage bias acts as the B_z field, and the suppression of the effective critical current acts as the B_x field.

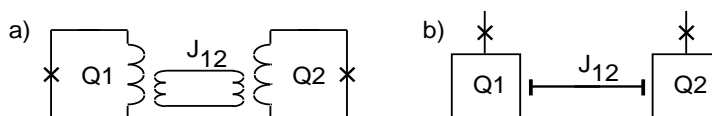


Figure 2. (a) Inductively coupled flux qubits. (b) Capacitively coupled charge qubits.

proposed switches is completely satisfactory [9]. Some early examples are Averin’s proposal [10] to couple charge qubits by moving the charge among the charge islands, and Schön *et al.*’s LC resonator “bus” [9, 11]. Perhaps the simplest variable superconducting switch was first described by Mooij *et al.* [6]. It is essentially a solid superconducting loop broken by a Josephson junction which can be open circuited - it is an rf SQUID in which the critical current can be reduced to zero. More recent schemes are a differential version of the rf-SQUID switch [12], the “Bloch transistor” [13], and the INSQUID [14].

These are only a few of the proposals for switches linking the qubits in a superconducting quantum computer. Some of these schemes are not practical, but for the most part they could possibly be used but they just seem awkward. Many of them require external controls, which are likely to be important sources of decoherence. Many require an unrealistic level of parameter control to operate successfully. Others appear to be difficult to scale to a many qubit system. In any case, none of these proposals has garnered outside support, and new and more elaborate proposals keep appearing in the literature.

3. Fixed-Coupled Quantum Computer

One may consider making a quantum computer without switches. Any interaction between qubits, fixed or variable, is sufficient for a universal quantum gate. Such a computer however may be more difficult to realize in practice.

An early example is the spin-lattice quantum computer [15], in which the “spins” (qubits) are hard-wired into a lattice. There are no switches; rather, the entire lattice is addressed by global fields. This paradigm for quantum computing requires more complex manipulations to perform simple operations, and it can be tedious to render quantum algorithms into lattice interactions. Although widely referenced, this scheme has not been much adopted by others. For superconducting systems, the spin lattice architecture seems a particular waste of resources, in that single-bit operations which are “easy” for superconducting qubits are not at all utilized.

A prominent quantum computer architecture today is the NMR molecular system. In NMR, coupling between the qubits is indeed fixed. There is no reason in principle not to build a hard-wired superconducting quantum computer following the NMR model. In the NMR model, complex synthesized “refocusing pulses” are required to reverse the evolution of unwanted phase-shifts incurred by the always-on couplings. The complexity of such refocusing pulses grows with the size of the system. More discouraging, the refocusing pulses for a superconducting system would need be at many orders of magnitude higher frequency than for NMR, and this may be impossible to achieve with the precision required, with today’s technology.

So it is seen that switches between qubits are not absolutely essential for quantum computing, but they are likely to be a practical necessity for large qubit systems.

4. Interaction Free Subspaces

Recent work [2] has shown that logical qubits consisting of two or more physical qubits can be constructed to code quantum information in an “interaction free subspace” (IFS) such that there is no interaction between these qubits even though they are physically coupled. This is analogous to the more familiar “decoherence free subspace” (DFS), which can be employed to isolate quantum information from interacting with environmental modes which would lead to decoherence [16]. The DFS concept is widely utilized; it assumes that there are symmetries in the coupling of the qubits to their environment, and employs those symmetries to avoid decoherence. The IFS is different in that it relies on symmetries in the coupling between qubits which can be created by the experimenter. Information is coded in such a way that when a logical qubit is in its IFS it is not affected by other qubits it is physically coupled to (*i.e.*, switch is open). Single bit operations can be performed when the neighboring qubits are in their IFS. When two coupled logical qubits are removed from their IFS, two bit gates can be performed (*i.e.*, switch is closed). Other logical qubits in their IFS are not affected by these operations.

IFS operations are discussed at length in [2]. Here we will merely present an example. We assume diagonal interactions between physical qubits of the form $J_{12}\sigma_1^z\sigma_2^z$. Our quantum computer is a one-dimensional Ising lattice of logical IFS qubits as illustrated in Fig. 3. For the Ising interaction it is sufficient to use two physical qubits, the dots labelled ‘a’ and ‘b’ in the Figure, to compose the logical qubit, “qubit 1”. The coupling between the physical qubits are either J_Q or J' as labelled. Then it is easy to see that the following basis states

$$|0\rangle = |\uparrow_a, \downarrow_b\rangle, |1\rangle = |\downarrow_a, \uparrow_b\rangle \tag{2}$$

are annihilated by the interaction Hamiltonian $H_{int} = J'(\sigma_{1a}^z + \sigma_{1b}^z)(\sigma_{2a}^z + \sigma_{2b}^z)$. Therefore, if these states are used to code quantum information, the logical qubits do not affect each other.

Arbitrary single bit operations can be performed on logical qubit 1 using $\vec{B}_a(t)$ and $\vec{B}_b(t)$ with the fixed a - b coupling J_Q . Neighboring logical qubits must remain each in its IFS during the operations on qubit 1. Reference [2] details how a CNOT gate can be performed on qubit 1 and qubit 2. The CPHASE gate (equivalent to CNOT up to single bit gates) is achieved by: first flip the state of both qubit 1b and qubit 2b to remove the logical qubits from IFS; then follow a set of prescribed rotations of the physical qubits and allow the logical qubits to interact for a certain amount of time; then again flip the state of both qubit 1b and qubit 2b to return the logical qubits back into IFS. The time required for this is $\pi/16J'$.

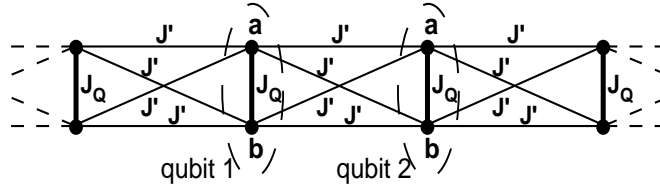


Figure 3. Example quantum computer Architecture. Each dot is a physical qubit and the lines represent couplings. Two qubits (a, b) connected by a vertical line is an encoded qubit.

The linear architecture shown in Fig. 3 is one of many possibilities, chosen for clarity of explanation alone. It is equally as possible to make a two-dimensional array. In the next section we will consider in detail a very different architecture in which all of the physical qubits are inductively fixed-coupled to a single large superconducting loop. Notice that this prevents the use of parallel operations because only a few qubits can be out of their IFS at once. The linear array would allow great parallelism if two-thirds of all qubits are concurrently undergoing two-qubit gate operations. Between these two extremes is an architecture with qubit clusters coupled together by link qubits. It is seen that

the IFS virtual switch encourages great versatility in quantum computer architecture. Eventually, one may hope that the computer architecture be designed for greatest suitability for classes of quantum algorithms to be addressed.

5. The Inductor Bus Quantum Computer

Figure 3 seems to imply that close-coupled physical qubits should compose a logical qubit, and this logical qubit is coupled to only several other logical qubits. In fact, neither of these constraints is necessary. An architecture in which every physical qubit is coupled to every other physical qubit, with all equal coupling strength, satisfies the conditions for IFS as well. There are very natural implementations for this kind of quantum computer architecture using superconducting qubits. For instance, many superconductor charge qubits could be capacitively coupled to a single floating conductor island. We will examine the situation where many SQUID qubits are coupled each by a fixed mutual inductance to a single large solid superconducting loop – the “inductor bus”.

The inductor bus quantum computer is illustrated in Fig. 4. N (an even number) identical rf-SQUIDS are inductively coupled to a superconducting inductor loop with self inductance L_b (b stands for “bus”). All couplings have the same mutual inductance M . The flux linking the bus inductor loop is Φ_b . Its external flux bias is Φ_{bx} . The current in the bus is I_b . All rf-SQUIDS have the same inductance L , the same capacitance C and the same Josephson energy $E_J (= I_c \Phi_0 / 2\pi)$. The total flux, the flux bias and the current of the i th ($i = 1, 2 \dots N$) rf-SQUID are Φ_i , Φ_{ix} and I_i . Note that Φ_b , the total magnetic flux in the loop cannot change because it is a solid superconducting loop. So when the current in one of the rf-SQUIDS changes the current in the loop must change slightly to maintain Φ_b . This couples to all of the other rf-SQUIDS.

5.1 The System Hamiltonian

We mentioned that the flux in the inductor loop must be quantized in units of the flux quantum $h/2e$: $\Phi_b = n\Phi_0$, n being any integer. For simplicity let us take $n = 0$ and $\Phi_{bx} = 0$. We can write down the flux equations for the rf-SQUIDS and the bus, taking into account all biases on the inductive loops:

$$\Phi_i = \Phi_{ix} + MI_b + LI_i, i = 1, 2 \dots N, \quad (3)$$

$$L_b I_b + \sum_{i=1}^N MI_i = 0. \quad (4)$$

These equations allow us to solve for the currents in terms of the fluxes, which can be used to calculate the inductive energy $E_{ind} = \frac{1}{2} \sum_{i=1}^N LI_i^2 + \frac{1}{2} L_b I_b^2 +$

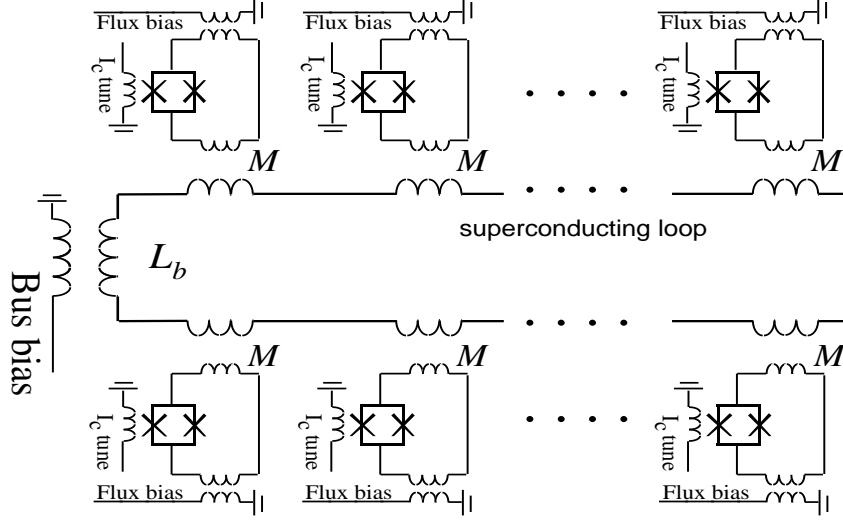


Figure 4. The “inductor bus” quantum computer.

$\sum_{i=1}^N MI_b I_i$ of the system. We are interested in the limit of weak coupling,

$$NM^2/LL_b \ll 1. \quad (5)$$

Keeping terms to lowest order in M^2/LL_b , and adding the charging and Josephson energies of the rf-SQUIDS, we obtain the system Hamiltonian

$$H = \sum_{i=1}^N H_i + H_{int}, \quad (6)$$

where H_i 's are the self Hamiltonians of the rf-SQUIDS (with the normalized self inductance),

$$H_i = -\frac{\hbar^2}{2C} \frac{\partial^2}{\partial \Phi_i^2} + \frac{(\Phi_i - \Phi_{ix})^2}{2L/(1 + \frac{M^2}{LL_b})} - E_J \cos(2\pi \frac{\Phi_i}{\Phi_0}), \quad (7)$$

and H_{int} is the interaction Hamiltonian between pairs of rf-SQUIDS,

$$H_{int} = \frac{M^2}{L_b} \sum_{i>j} \frac{(\Phi_i - \Phi_{ix})}{L} \frac{(\Phi_j - \Phi_{jx})}{L}. \quad (8)$$

The summation in Eq. (8) is between each pair of rf-SQUIDS. Eq. (8) describes the coupling between each pair of isolated rf-SQUIDS through an effective mutual inductance $M_{eff} = M^2/L_b$. The other effect seen here is that

the self inductance of the rf-SQUIDS is renormalized slightly:

$$L \rightarrow L/(1 + M^2/LL_b). \quad (9)$$

Under low temperatures, if we bias the rf-SQUIDS appropriately they are effectively two state systems. Then we can rewrite Eq. (6) using the Pauli matrices,

$$H = \sum_{i=1}^N \{-\hbar\Delta_i(I_i^c)\sigma_i^x + \varepsilon_i(\Phi_{ix})\sigma_i^z\} + \sum_{i>j}^N J\sigma_i^z\sigma_j^z, \quad (10)$$

where Δ_i and ε_i are the tunneling matrix element and energy offset between the two potential wells of the i th rf-SQUID, controllable via its critical current I_i^c and flux bias Φ_{ix} . The eigenstates of σ^z correspond to the left and right well localized states. J is the always on and fixed coupling strength between the rf-SQUIDS proportional to the effective mutual inductance M^2/L_b .

5.2 Initialization and computation

This has been discussed in Ref. [2]. The first step is to flux bias all the rf-SQUIDS near to the symmetrical point $\Phi_0/2$, but far enough away to assure that they end up in the lower of their two flux localized states. Then raise the barrier height of the rf-SQUID potential such that there is no tunneling between the two flux states ($\Delta = 0$), and turn their flux bias to the symmetry point $\Phi_0/2$. The rf-SQUIDS are left in the left (or right) well. At the symmetry point $\varepsilon = 0$ as well, therefore the Hamiltonian of the qubits is 0, and the qubit state is frozen.

Two of the physical qubits are chosen to constitute a logical qubit. (The choice is arbitrary!) The next step is to flip the state of one of these physical qubits. This can be done by lowering its potential barrier to obtain a finite tunneling rate Δ and letting it evolve for $t = \pi/\hbar\Delta$ (a π pulse). The qubit will shift from the left well to the right well. The potential barrier is restored to freeze the state of the qubit. Now the two physical qubits are in the IFS ($|\uparrow\downarrow\rangle$ and $|\downarrow\uparrow\rangle$) and the logical qubit is decoupled from the bus. In their IFS, the two physical qubits apply a 0 net flux on the bus. The other qubits are still in their left wells and they do apply a flux to the bus. Then, all of the other qubits are treated the same way until all logical qubits are driven into the IFS.

The large superconducting loop may start with flux in it, $n \neq 0$. Even if $n = 0$, during the initialization there is a large current in the loop and some current $I_b \neq 0$ will remain because of inevitable variations in SQUID parameters. These currents have no effect on the IFS code states. Still, one is uncomfortable that, for large N , small unforeseen errors might compound. If this is a concern, it is possible to keep $I_b = 0$ by changing the bus flux bias Φ_{bx} a little. Another possibility is to break the solid superconducting loop by a very small series

resistor, $\text{sub-}\mu\Omega$, such that L_b/R is comparable to the initialization time but much longer than the run time of the quantum computer.

The computation proceeds through a series of single physical qubit operations that induce rotations around the x and z directions of each physical qubit. These operations are realized by changing the tunneling rate Δ and the energy offset ε of the rf-SQUIDS (cf. Eq. (10) and Fig. 1a). Then a computation of any complexity can be performed using the logical qubits in and out of the IFS, accessing only these single physical qubit operations, as prescribed in Ref. [2].

5.3 Parameters

Finally let us specify the parameters required for the inductor bus quantum computer in Fig. 4. We will see that the computer may include a large number of qubits, at least $N \sim 1000$, for realistic parameters allowed by the current technology, assuming as always ideal qubits.

The relevant parameters for a single rf-SQUID are L , I_c , and C . We choose $L = 150\text{pH}$, $C = 80\text{fF}$, and $I_c = 3\mu\text{A}$. These are familiar numbers, very similar to the values considered in [17]. Solving the Schrödinger equation numerically, we find when the critical current is unsuppressed, the tunneling matrix element Δ is about 30Hz , therefore the tunneling can be considered completely off in this case. Suppressing I_c down to $2.375\mu\text{A}$ gives a tunneling matrix element $\Delta \approx 2.6\text{GHz}$, which allows to flip the state of the rf-SQUID (a π pulse in the x direction) in about 0.4ns . Flux biasing the rf-SQUID off the symmetrical point $\Phi_0/2$ by $0.15m\Phi_0$ gives an ε of about 2.7GHz . This allows rotations around the z direction with a speed of a few GHz .

The two-bit operation speed is determined by the strength of qubit coupling, J . The single physical bit operations should be much faster than the two bit operations. Referring to Eq. (10), this means that Δ and ε (when they are on) should be much larger than J (which is always on). We choose the two-bit operation time to be tens of ns . Evaluating the interaction Hamiltonian Eq. (8) in the qubit bases, we find that an effective mutual inductance (M^2/L_b) of about 2fH results in a coupling strength J of about 25MHz . This is comfortably satisfied with $L_b = 2\text{nH}$ and $M = 2\text{pH}$. This is satisfactory because $M \ll L$ and $M \ll L_b$, so $M^2/LL_b \ll 1$.

How many qubits N can be attached to the bus? First of all, the weak coupling limit (Eq. (5)) requires

$$N \ll LL_b/M^2. \quad (11)$$

The other practical consideration is $N < L_b/M$, just by a simple geometrical argument. We assume a planar circuit geometry where all inductors are realized by single turn thin film conductors lithographed over a ground plane [17]. Then the inductance per unit length of conductor will be roughly the same for all inductors, and $M \sim kL_{bi}$, where L_{bi} is the section of L_b coupled to the

i th rf-SQUID, and k is the coupling constant, necessarily less than 1. Clearly, the maximum $N = L_b/L_{bi} \sim kL_b/M$, as stated above. For $L_b = 2nH$ and $M = 2pH$, $N_{max} = 1000$, which satisfies the weak coupling limit Eq. (11). N in the inductor bus quantum computer can be made larger than 1000 only by the undesirable recourse of decreasing the coupling strength and the speed of two bit operations.

6. Conclusions

We give a prescription for a large-scale $N \sim 1000$ superconducting quantum computer. It is based on the idea of “interaction free subspace” presented in [2]. Solving the “no switch” problem without the need to use a physical switch, it will help in the effort to construct a practical superconducting quantum computer.

References

- [1] D. P. DiVincenzo, “The physical implementation of quantum computation,” *Fortschritte der Physik* **48**, 771 (2000).
- [2] X. Zhou, Z.-W. Zhou, G.-C. Guo, and M.J. Feldman, “Quantum computation with untunable couplings,” *Phys. Rev. Lett.* **89**, 197903 (2002).
- [3] M. F. Bocko, A. M. Herr and M. J. Feldman, “Prospects for quantum coherent computation using superconducting electronics,” *IEEE Trans. Appl. Supercond.* **7**, 3638 (1997).
- [4] J. R. Friedman, V. Patel, W. Chen, S. K. Tolpygo and J. E. Lukens, “Quantum superposition of distinct macroscopic states,” *Nature* **406**, 43 (2000).
- [5] C. H. van der Wal, A. C. J. ter Haar, F.K. Wilhelm, R. N. Schouten, C. J. P. M. Harmans, T.P. Orlando, S. Lloyd, and J.E. Mooij, “Quantum superposition of macroscopic persistent-current states,” *Science* **290**, 773 (2000).
- [6] J. E. Mooij, T. P. Orlando, L. S. Levitov, L. Tian, Caspar. H. van der Wal and S. Lloyd, “Josephson persistent-current qubit,” *Science* **285**, 1036 (1999).
- [7] Y. Nakamura, Y.A. Pashkin and J.S. Tsai, “Coherent control of macroscopic quantum states in a single-Cooper-pair box,” *Nature* **398**, 786 (1999).
- [8] D. Vion, A. Aassime, A. Cottet, P. Joyez, H. Pothier, C. Urbina, D. Esteve, M.H. Devoret, “Manipulating the quantum state of an electrical circuit,” *Science* **296**, 886 (2002).
- [9] Y. Makhlin, G. Schön and A. Shnirman, “Quantum-state engineering with Josephson junction devices,” *Rev. Mod. Phys.* **73**, 357 (2001).
- [10] D. V. Averin, “Adiabatic quantum computation with Cooper pairs,” *Solid State Commun.* **105**, 659 (1998).
- [11] Y. Makhlin, A. Shnirman and G. Schön, “Josephson junction qubits with controlled couplings,” *Nature* **386**, 305 (1999).
- [12] T.V. Filippov, J. Mannik, S.K. Tolpygo, J.E. Lukens, “Tunable transformer for qubits based on flux states,” manuscript submitted to *IEEE Trans. Appl. Supercond.* (2002).
- [13] K.K. Likharev, unpublished presentation.
- [14] T.L. Robertson, B.L.T. Plourde, A. García-Martínez, P.A. Reichardt, B. Chesca, R. Kleiner, Y. Makhlin, G. Schön, A. Shnirman, F.K. Wilhelm, D.J. Van Harlingen, and John

Clarke, "Superconducting device to isolate, enlarge, and read out quantum flux states", preprint.

- [15] S. Lloyd, "A potentially realizable quantum computer," *Science* **261**, 1569 (1993).
- [16] L-M. Duan and G-C. Guo, "Preserving coherence in quantum computation by pairing quantum bits," *Phys. Rev. Lett.* **79**, 1953 (1997). P. Zanardi and M. Rasetti, "Noiseless quantum codes," *Phys. Rev. Lett.* **79**, 3306 (1997). D.A. Lidar, I.L. Chuang and K.B. Whaley, "Decoherence-free subspaces for quantum computation," *Phys. Rev. Lett.* **81**, 2594 (1998).
- [17] M. J. Feldman and M. F. Bocko, "A realistic experiment to demonstrate macroscopic quantum coherence," *Physica C* **350**, 171 (2001).