

Cartan Calculus via Pauli Matrices

D. Mauro

Dipartimento di Fisica Teorica, Università di Trieste,
Strada Costiera 11, P.O.Box 586, Trieste, Italy
and INFN, Sezione di Trieste.
e-mail: mauro@ts.infn.it

In this paper we will provide a *new* operatorial counterpart of the path-integral formalism of classical mechanics developed in recent years. We call it *new* because the Jacobi fields and forms will be realized via finite dimensional matrices. As a byproduct of this we will prove that all the operations of the Cartan calculus, such as the exterior derivative, the interior contraction with a vector field, the Lie derivative and so on, can be realized by means of suitable tensor products of Pauli and identity matrices.

1 Introduction

At the end of the Eighties in Ref. [1] a path integral formulation for classical mechanics was put forward: from now on we will indicate it with the acronym CPI for **C**lassical **P**ath **I**ntegral. This formulation is the functional counterpart of the operatorial version of classical mechanics developed in the Thirties by Koopman and von Neumann [2]-[3]. In the CPI, besides the standard phase space, some auxiliary variables made their appearance. Both the physical [4] and the geometrical [1]-[5] meaning of these variables have been studied in detail. Some of these variables are Grassmannian, i.e. anticommuting c -numbers representing differential forms. Anyhow, as Coleman said in his Erice's lectures, [6] “*anticommuting c -numbers are notoriously objects that make strong men quail*”. So the main goal of this paper is to replace the anticommuting variables with less mysterious objects such as matrices. In performing this operation all the geometrical richness of the original CPI is not lost. In fact in this paper we will show how it is possible to map the differential forms of a $2n$ -dimensional phase space into 2^{2n} -dimensional vectors. Correspondently all the standard operations of differential geometry, such as exterior derivatives, Lie derivatives and so on, can be translated in terms of suitable combinations of Pauli and identity matrices.

The paper is organized as follows: in Section 2 we briefly review the functional formulation of classical mechanics. In Section 3 we show how, in the case of one degree of freedom $n = 1$, it is possible to represent the fermionic operators of the CPI in terms of square matrices. In Section 4 we write in our formalism the universally conserved charges originally discovered in the CPI [1] and link them to the above mentioned operations of differential geometry. Sections 5 and 6 contain the generalization of the previous results to the case of a system with an arbitrary great number of degrees of freedom. In Appendix A we show the manner to reconstruct the evolution of a generalized wave function at the matrix level. In Appendix B we show that the symmetry charges of the CPI make a superalgebra whose irreducible representations can be constructed as it is usually done in the literature [17]. In Appendices C and D we confine some further calculational details.

2 Path Integral for Classical Mechanics (CPI)

In this section we want to review some of the basic points of the functional formulation for classical mechanics. We will be very brief here because the interested reader can find a more detailed treatment in the original papers [1]. The basic idea of the CPI is to give a path integral formulation for classical mechanics.

Suppose we start with a dynamical system made of a $2n$ -dimensional phase space \mathcal{M} with coordinates $\varphi^a = (q^1, \dots, q^n, p^1, \dots, p^n)$, a Hamiltonian $H(\varphi)$ and the symplectic matrix ω^{ab} . The Hamilton's equations of motion can then be written in the following

compact form:

$$\dot{\varphi}^a = \omega^{ab} \partial_b H(\varphi). \quad (2.1)$$

The probability of finding the system at a point φ^a at time t , if it was at the point φ_i^a at the initial time t_i , is one if the point φ^a is on the classical path $\varphi_{cl}^a(t)$ and zero otherwise (with classical path we mean the path that solves the equations of motion with initial conditions φ_i^a). The classical path integral that gives such a probability can be easily expressed by means of a functional Dirac delta forcing the system to stay on the classical path $\varphi_{cl}^a(t)$. So the transition probability $K(\varphi^a | \varphi_i^a)$ can be written as

$$K(\varphi^a t | \varphi_i^a t_i) = N \int \mathcal{D}\varphi \tilde{\delta}[\varphi^a(t) - \varphi_{cl}^a(t)]. \quad (2.2)$$

Following the steps illustrated in detail in Ref. [1] it is possible to rewrite the functional Dirac delta in (2.2) as a Dirac delta on the equations of motion times a suitable functional determinant:

$$\tilde{\delta}[\varphi^a - \varphi_{cl}^a] = \tilde{\delta}[\dot{\varphi}^a - \omega^{ab} \partial_b H] \det[\delta_b^a \partial_t - \omega^{ac} \partial_c \partial_b H]. \quad (2.3)$$

Exponentiating the functional Dirac delta by means of auxiliary variables λ_a and the determinant by means of a couple of Grassmann variables c^a, \bar{c}_a , one gets the following expression for the classical path integral:

$$K(\varphi^a t | \varphi_i^a t_i) = N \int \mathcal{D}\varphi^a \mathcal{D}\lambda_a \mathcal{D}c^a \mathcal{D}\bar{c}_a \exp \left[i \int dt \mathcal{L} \right] \quad (2.4)$$

where the Lagrangian is given by:

$$\mathcal{L} = \lambda_a \dot{\varphi}^a + i \bar{c}_a \dot{c}^a - \mathcal{H}, \quad \text{with} \quad \mathcal{H} = \lambda_a \omega^{ab} \partial_b H + i \bar{c}_a \omega^{ac} \partial_c \partial_b H c^b. \quad (2.5)$$

From the Lagrangian (2.5) one can derive, besides the standard Hamilton's equations (2.1) for φ , the following equations of motion for the Grassmann variables:

$$\begin{aligned} \dot{c}^b &= \omega^{bc} \partial_c \partial_a H c^a \\ \dot{\bar{c}}_b &= -\bar{c}_a \omega^{ac} \partial_c \partial_b H. \end{aligned} \quad (2.6)$$

So infinitesimal transformations generated by \mathcal{H} are given by:

$$\begin{aligned} \varphi^{a'} &= \varphi^a + \epsilon \omega^{ab} \partial_b H \\ c^{a'} &= c^a + \epsilon \omega^{ac} \partial_c \partial_b H c^b = \frac{\partial \varphi^{a'}}{\partial \varphi^b} c^b \\ \bar{c}'_a &= \bar{c}_a - \epsilon \bar{c}_b \omega^{bc} \partial_c \partial_a H = \frac{\partial \varphi^b}{\partial \varphi^{a'}} \bar{c}_b. \end{aligned} \quad (2.7)$$

We notice from these equations that c^a transforms, under the diffeomorphism generated by \mathcal{H} , as a basis for the differential forms $d\varphi^a$, while \bar{c}_a transforms as a basis for the

vector fields $\frac{\partial}{\partial \varphi^a}$, see [1] and [7]. From the kinetic part of the Lagrangian (2.5) we can derive, as Feynman did for quantum mechanics, the graded commutators of the theory. They are:

$$\langle [\varphi^a, \lambda_b]_- \rangle = i\delta_b^a, \quad \langle [\bar{c}_b, c^a]_+ \rangle = \delta_b^a. \quad (2.8)$$

All other commutators are zero. In order to satisfy the above commutators we can realize φ^a and c^a as multiplication operators and λ_a and \bar{c}_a as derivative ones:

$$\lambda_a = -i \frac{\partial}{\partial \varphi^a}, \quad \bar{c}_a = \frac{\partial}{\partial c^a}. \quad (2.9)$$

Substituting the previous relations into the Hamiltonian \mathcal{H} of Eq. (2.5) we obtain the following operator (from now on we will omit the hat signs $\hat{}$ on the symbols of the abstract operators. Instead we will use them on the symbols which indicate the matrices associated to these operators):

$$\mathcal{H} = -i\omega^{ab}\partial_b H \partial_a - i\omega^{ac}\partial_c \partial_b H c^b \frac{\partial}{\partial c^a}. \quad (2.10)$$

The first term of (2.10) is just the Liouville operator that appears in the operatorial formulation of classical mechanics due to Koopman and von Neumann, [2]-[3]. This confirms that (2.4) is just the correct functional counterpart of the operatorial formulation for classical mechanics. Moreover, thanks to the presence of Grassmann variables, the CPI provides also the evolution of more generalized objects [1]. In fact the following kernel:

$$K(\varphi_f, c_f, t_f | \varphi_i, c_i, t_i) = \int \mathcal{D}''\varphi \mathcal{D}\lambda \mathcal{D}''c \mathcal{D}\bar{c} \exp\left(i \int_{t_i}^{t_f} dt \mathcal{L}\right) \quad (2.11)$$

with the boundary conditions:

$$\varphi^a(t_i) = \varphi_i^a, \quad \varphi^a(t_f) = \varphi_f^a, \quad c^a(t_i) = c_i^a, \quad c^a(t_f) = c_f^a \quad (2.12)$$

gives the evolution not only of the functions of φ but also of the generalized wave functions $\psi(\varphi, c)$, that live in the Hilbert space underlying the CPI [8]. $\psi(\varphi, c)$ can be interpreted as the most general differential form on the symplectic space \mathcal{M} [1][7].

Even if the auxiliary variables $\lambda_a, c^a, \bar{c}_a$ have all a well-defined geometrical meaning [1][7][8], still the reader could claim that they are somehow redundant because we can do classical mechanics by using just the φ^a variables. This redundancy is actually signaled by the presence of some universal symmetries [1] whose charges are:

$$\begin{aligned} Q &\equiv i c^a \lambda_a, & \bar{Q} &\equiv i \bar{c}_a \omega^{ab} \lambda_b, \\ Q_f &\equiv c^a \bar{c}_a, & K &\equiv \frac{1}{2} \omega_{ab} c^a c^b, & \bar{K} &\equiv \frac{1}{2} \omega^{ab} \bar{c}_a \bar{c}_b. \end{aligned} \quad (2.13)$$

There is also supersymmetry [1][9] whose charges are:

$$\begin{aligned} Q_H &= Q - \beta N = i c^a \lambda_a - \beta c^a \partial_a H \\ \bar{Q}_H &= \bar{Q} + \beta \bar{N} = i \bar{c}_a \omega^{ab} \lambda_b + \beta \bar{c}_a \omega^{ab} \partial_b H \end{aligned} \quad (2.14)$$

and whose anticommutator gives \mathcal{H} :

$$[Q_H, \overline{Q}_H]_+ = 2i\beta\mathcal{H}. \quad (2.15)$$

All these conserved charges play a very important role in the Cartan calculus as it is explained in detail in [1] and [5]. In particular, since c^a transforms as a basis for the forms and since there is a natural mapping between the wedge product of forms and the multiplication of Grassmann variables, it is possible to map [1] every p -form into a function of the operators φ and c :

$$\begin{aligned} F^{(p)} &= F_{a_1 \dots a_p}(\varphi) d\varphi^{a_1} \wedge d\varphi^{a_2} \wedge \dots \wedge d\varphi^{a_p} \\ &\Downarrow \\ \widehat{F}^{(p)} &= F_{a_1 \dots a_p}(\varphi) c^{a_1} c^{a_2} \dots c^{a_p} \end{aligned} \quad (2.16)$$

In the same way, from the properties of transformation of \bar{c} as a basis for vector fields it is possible to represent every vector field V as a function of φ and \bar{c} : $\widehat{V} = V^a(\varphi)\bar{c}_a$. Via the commutators of the theory all the most important operations of the Cartan calculus can be reproduced [1]. In particular:

- The Q charge can be interpreted as the exterior derivative acting on p -forms according to the relation:

$$dF^{(p)} = [Q, \widehat{F}^{(p)}]. \quad (2.17)$$

- The interior contraction of a p -form with a vector field V can be reproduced by means of the following commutator:

$$\iota_V F^{(p)} = [\widehat{V}, \widehat{F}^{(p)}]. \quad (2.18)$$

- The Lie derivative along a Hamiltonian vector field [18] $h^a = \omega^{ab}\partial_b H$ is given, modulus a factor i , by the operator of evolution \mathcal{H} :

$$\mathcal{L}_h F^{(p)} = [i\mathcal{H}, \widehat{F}^{(p)}] \quad (2.19)$$

and the well-known fact that the Lie derivative commutes with the exterior derivative \mathbf{d} : $[\mathbf{d}, \mathcal{L}_h] = 0$ implies immediately that $[Q, \mathcal{H}] = 0$. For the geometrical interpretation of the supersymmetry charges we refer the interested reader to Ref. [9].

In Sections 4 and 6 we will show how the previous operations of the Cartan calculus can be reproduced also via suitable combinations of Pauli and identity matrices.

3 Grassmannian Operators and Matrices

It is well-known that every Grassmann algebra can be realized in terms of suitable square matrices, see for example the exercise (6.18) of Ref. [10]. This matrix realization was already used in supersymmetric quantum mechanics [11][12]. In this section we want to see if the same matrix realization can be used for the CPI. In particular in this

section we want to work out things in the case of a system with one degree of freedom $n = 1$, i.e. $\varphi^a = (q, p)$, $c^a = (c^q, c^p)$. First of all let us notice that the generalized wave function

$$\psi(\varphi, c) = \psi_0(\varphi) + \psi_q(\varphi)c^q + \psi_p(\varphi)c^p + \psi_2(\varphi)c^p c^q \quad (3.1)$$

contains only 4 arbitrary functions $\psi_0, \psi_q, \psi_p, \psi_2$ and we could try to represent this object as a 4-vector made up of 4 bosonic components:

$$\psi(\varphi, c) = \psi_0(\varphi) + \psi_q(\varphi)c^q + \psi_p(\varphi)c^p + \psi_2(\varphi)c^p c^q \equiv \begin{pmatrix} \psi_0 \\ \psi_q \\ \psi_p \\ \psi_2 \end{pmatrix}. \quad (3.2)$$

With this choice it is then possible to represent every operator of the theory as a well-defined 4×4 matrix. For example if we take the operator of multiplication by c^q and apply it on ψ we get $\psi' = c^q \psi = c^q \psi_0 + c^q c^p \psi_p$. This wave function ψ' , in the 4-vector notation (3.2), has the form:

$$\psi' = \begin{pmatrix} 0 \\ \psi_0 \\ 0 \\ -\psi_p \end{pmatrix} \quad (3.3)$$

and it could be obtained from the 4-vector representation of ψ as

$$\psi' = \begin{pmatrix} 0 & 0 & 0 & 0 \\ 1 & 0 & 0 & 0 \\ 0 & 0 & 0 & 0 \\ 0 & 0 & -1 & 0 \end{pmatrix} \begin{pmatrix} \psi_0 \\ \psi_q \\ \psi_p \\ \psi_2 \end{pmatrix}. \quad (3.4)$$

So we have the following matrix representation for the operator c^q :

$$\widehat{c}^q = \begin{pmatrix} 0 & 0 & 0 & 0 \\ 1 & 0 & 0 & 0 \\ 0 & 0 & 0 & 0 \\ 0 & 0 & -1 & 0 \end{pmatrix}. \quad (3.5)$$

In the same way the operator of multiplication by c^p can be represented by the following 4×4 matrix:

$$\widehat{c}^p = \begin{pmatrix} 0 & 0 & 0 & 0 \\ 0 & 0 & 0 & 0 \\ 1 & 0 & 0 & 0 \\ 0 & 1 & 0 & 0 \end{pmatrix}. \quad (3.6)$$

\bar{c}_q and \bar{c}_p are instead the derivative operators $\frac{\partial}{\partial c^q}$ and $\frac{\partial}{\partial c^p}$. If we apply them on the ψ written as in (3.1) and we perform steps similar to those which lead to (3.5), then we

can obtain the following matrix representation:

$$\widehat{c}_q = \begin{pmatrix} 0 & 1 & 0 & 0 \\ 0 & 0 & 0 & 0 \\ 0 & 0 & 0 & -1 \\ 0 & 0 & 0 & 0 \end{pmatrix}, \quad \widehat{c}_p = \begin{pmatrix} 0 & 0 & 1 & 0 \\ 0 & 0 & 0 & 1 \\ 0 & 0 & 0 & 0 \\ 0 & 0 & 0 & 0 \end{pmatrix}. \quad (3.7)$$

Note that the matrices \widehat{c} are just the transpose of the associated matrices \widehat{c} . It is also easy to verify that the matrices (3.5)-(3.7) satisfy the correct anticommutation relations: $[\widehat{c}, \widehat{c}]_+ = 0$, $[\widehat{c}, \widehat{c}]_+ = 0$, $[\widehat{c}^a, \widehat{c}_b]_+ = \delta_b^a$.

The 4×4 matrices we have obtained so far can be written in a more compact form via Pauli matrices. Let us introduce the matrices:

$$\frac{\sigma^{(+)}}{2} = \frac{\sigma_x + i\sigma_y}{2} = \begin{pmatrix} 0 & 1 \\ 0 & 0 \end{pmatrix}, \quad \frac{\sigma^{(-)}}{2} = \frac{\sigma_x - i\sigma_y}{2} = \begin{pmatrix} 0 & 0 \\ 1 & 0 \end{pmatrix}. \quad (3.8)$$

It is then easy to prove that the matrices (3.5)-(3.7) can be written as:

$$\begin{aligned} \widehat{c}^p &= \frac{\sigma^{(-)}}{2} \otimes \mathbf{1}, & \widehat{c}^q &= \sigma_z \otimes \frac{\sigma^{(-)}}{2} \\ \widehat{c}_p &= \frac{\sigma^{(+)}}{2} \otimes \mathbf{1}, & \widehat{c}_q &= \sigma_z \otimes \frac{\sigma^{(+)}}{2} \end{aligned} \quad (3.9)$$

where \otimes indicates the tensor product. These formulas are very useful because, as we will see in Section 5, they can be generalized to the case of systems with an arbitrary great number of degrees of freedom.

Via the representation (3.5)-(3.7) for the Grassmannian operators of the theory we can build also the matrix representation of the symmetry charges present in the CPI:

$$\begin{aligned} \widehat{Q} &= i\widehat{c}^q \lambda_q + i\widehat{c}^p \lambda_p = \widehat{c}^q \partial_q + \widehat{c}^p \partial_p = \begin{pmatrix} 0 & 0 & 0 & 0 \\ \partial_q & 0 & 0 & 0 \\ \partial_p & 0 & 0 & 0 \\ 0 & \partial_p & -\partial_q & 0 \end{pmatrix}, \\ \widehat{\overline{Q}} &= \begin{pmatrix} 0 & \partial_p & -\partial_q & 0 \\ 0 & 0 & 0 & -\partial_q \\ 0 & 0 & 0 & -\partial_p \\ 0 & 0 & 0 & 0 \end{pmatrix}, & \widehat{Q}_f &= \begin{pmatrix} 0 & 0 & 0 & 0 \\ 0 & 1 & 0 & 0 \\ 0 & 0 & 1 & 0 \\ 0 & 0 & 0 & 2 \end{pmatrix} \\ \widehat{K} &= \begin{pmatrix} 0 & 0 & 0 & 0 \\ 0 & 0 & 0 & 0 \\ 0 & 0 & 0 & 0 \\ 1 & 0 & 0 & 0 \end{pmatrix}, & \widehat{\overline{K}} &= \begin{pmatrix} 0 & 0 & 0 & 1 \\ 0 & 0 & 0 & 0 \\ 0 & 0 & 0 & 0 \\ 0 & 0 & 0 & 0 \end{pmatrix}. \end{aligned} \quad (3.10)$$

One can easily check that the algebra of these charges is the one of Ref. [1]:

$$[\widehat{Q}, \widehat{Q}]_+ = [\widehat{\overline{Q}}, \widehat{\overline{Q}}]_+ = [\widehat{Q}, \widehat{\overline{Q}}]_+ = 0$$

$$\begin{aligned}
[\widehat{Q}_f, \widehat{K}]_- &= 2\widehat{K}, & [\widehat{Q}_f, \widehat{K}]_- &= -2\widehat{K}, & [\widehat{K}, \widehat{K}]_- &= \widehat{Q}_f - \mathbf{1} \\
[\widehat{Q}_f, \widehat{Q}]_- &= \widehat{Q}, & [\widehat{Q}_f, \widehat{Q}]_- &= -\widehat{Q}, & [\widehat{K}, \widehat{Q}]_- &= 0 \\
[\widehat{K}, \widehat{Q}]_- &= \widehat{Q}, & [\widehat{K}, \widehat{Q}]_- &= \widehat{Q}, & [\widehat{K}, \widehat{Q}]_- &= 0.
\end{aligned} \tag{3.11}$$

The representation of the supersymmetry charges is given by:

$$\begin{aligned}
\widehat{Q}_H &= \begin{pmatrix} 0 & 0 & 0 & 0 \\ \partial_q - \beta\partial_q H & 0 & 0 & 0 \\ \partial_p - \beta\partial_p H & 0 & 0 & 0 \\ 0 & \partial_p - \beta\partial_p H & -\partial_q + \beta\partial_q H & 0 \end{pmatrix} \\
\widehat{Q}_H &= \begin{pmatrix} 0 & \partial_p + \beta\partial_p H & -\partial_q - \beta\partial_q H & 0 \\ 0 & 0 & 0 & -\partial_q - \beta\partial_q H \\ 0 & 0 & 0 & -\partial_p - \beta\partial_p H \\ 0 & 0 & 0 & 0 \end{pmatrix}.
\end{aligned} \tag{3.12}$$

Finally the matrix that represents the operator of evolution \mathcal{H} :

$$\mathcal{H} = \widehat{L} + i\bar{c}_q\partial_p\partial_p H c^p + i\bar{c}_q\partial_p\partial_q H c^q - i\bar{c}_p\partial_q\partial_p H c^p - i\bar{c}_p\partial_q\partial_q H c^q, \tag{3.13}$$

where $\widehat{L} = \lambda_a\omega^{ab}\partial_b H$ is the Liouville operator, is given by:

$$\widehat{\mathcal{H}} = \begin{pmatrix} \widehat{L} & 0 & 0 & 0 \\ 0 & \widehat{L} - i\partial_q\partial_p H & i\partial_q\partial_q H & 0 \\ 0 & -i\partial_p\partial_p H & \widehat{L} + i\partial_p\partial_q H & 0 \\ 0 & 0 & 0 & \widehat{L} \end{pmatrix}. \tag{3.14}$$

From the expression of $\widehat{\mathcal{H}}$ above it is clear that the 0- and the 2-forms, which in the 4-vector representation (3.2), have respectively only the first and the last components different from zero, evolve only with the Liouvillian \widehat{L} . The 1-forms instead evolve with the central 2×2 submatrix of Eq. (3.14) which contains all the possible second derivatives of the Hamiltonian $H(\varphi)$ and mixes the two central components of the 4-vector ψ . For an example of how it is possible to reconstruct the evolution of the states at the matrix level the reader can consult Appendix **A**. It is easy to check that also at the matrix level the usual supersymmetry algebra, $[\widehat{Q}_H, \widehat{Q}_H]_+ = 2i\beta\widehat{\mathcal{H}}$, $[\widehat{Q}_H, \widehat{\mathcal{H}}]_- = [\widehat{Q}_H, \widehat{\mathcal{H}}]_- = 0$, holds. So we have represented the superalgebra of the symmetry charges of the CPI in terms of 4×4 matrices of operators. Now irreducible representations of superalgebras are well-known in literature. In Appendix **B** we shall use the results of Ref. [17] to show how it is possible to build an irreducible representation for the superalgebra of the CPI in terms of 4×4 matrices whose entries are real numbers.

All the symmetries of the CPI turn the states into each other within the eigenspaces of the operator of evolution $\widehat{\mathcal{H}}$. For example we can start considering an eigenstate of the Liouvillian \widehat{L} with eigenvalue l : $\widehat{L}\psi_0^l = l\psi_0^l$. Since ψ_0^l is a 0-form we can represent

it by means of the following 4-vector:

$$\psi_0^l = \begin{pmatrix} \psi_0^l \\ 0 \\ 0 \\ 0 \end{pmatrix} \quad (3.15)$$

which is an eigenstate for $\widehat{\mathcal{H}}$ with eigenvalue l : $\widehat{\mathcal{H}}\psi_0^l = l\psi_0^l$. Since \widehat{Q} commutes with $\widehat{\mathcal{H}}$ also $\widehat{Q}\psi_0^l$ is an eigenstate for $\widehat{\mathcal{H}}$ with the same eigenvalue l :

$$[\widehat{\mathcal{H}}, \widehat{Q}] = 0 \implies \widehat{\mathcal{H}}(\widehat{Q}\psi_0^l) = l(\widehat{Q}\psi_0^l). \quad (3.16)$$

The explicit form of $\widehat{Q}\psi_0^l$ is given by the following 1-form:

$$\widehat{Q}\psi_0^l = \begin{pmatrix} 0 & 0 & 0 & 0 \\ \partial_q & 0 & 0 & 0 \\ \partial_p & 0 & 0 & 0 \\ 0 & \partial_p & -\partial_q & 0 \end{pmatrix} \begin{pmatrix} \psi_0^l \\ 0 \\ 0 \\ 0 \end{pmatrix} = \begin{pmatrix} 0 \\ \partial_q \psi_0^l \\ \partial_p \psi_0^l \\ 0 \end{pmatrix}. \quad (3.17)$$

In the same way $\widehat{K}\psi_0^l$ is an eigenstate for $\widehat{\mathcal{H}}$ with the same eigenvalue l . Its explicit form is given by:

$$\widehat{K}\psi_0^l = \begin{pmatrix} 0 & 0 & 0 & 0 \\ 0 & 0 & 0 & 0 \\ 0 & 0 & 0 & 0 \\ 1 & 0 & 0 & 0 \end{pmatrix} \begin{pmatrix} \psi_0^l \\ 0 \\ 0 \\ 0 \end{pmatrix} = \begin{pmatrix} 0 \\ 0 \\ 0 \\ \psi_0^l \end{pmatrix} \quad (3.18)$$

and it is a 2-form. So the symmetry charges move us within the eigenspace of $\widehat{\mathcal{H}}$, for example the one with eigenvalue l , passing from the 0-forms to the 1-forms (by the \widehat{Q} charge) and from the 0-forms to the 2-forms (by the \widehat{K} charge). A similar role is played also by the supersymmetry charges. First of all, following Ref. [15], we can rewrite the matrix realization of Q_H, \overline{Q}_H , that we derived in Eq. (3.12), as:

$$\widehat{Q}_H = \begin{pmatrix} 0 & 0 & 0 & 0 \\ Q_1^- & 0 & 0 & 0 \\ Q_2^- & 0 & 0 & 0 \\ 0 & Q_2^- & -Q_1^- & 0 \end{pmatrix}, \quad \widehat{\overline{Q}}_H = \begin{pmatrix} 0 & Q_1^+ & Q_2^+ & 0 \\ 0 & 0 & 0 & Q_2^+ \\ 0 & 0 & 0 & -Q_1^+ \\ 0 & 0 & 0 & 0 \end{pmatrix} \quad (3.19)$$

where

$$\begin{aligned} Q_1^- &= \partial_q - \beta \partial_q H, & Q_1^+ &= \partial_p + \beta \partial_p H \\ Q_2^- &= \partial_p - \beta \partial_p H, & Q_2^+ &= -\partial_q - \beta \partial_q H. \end{aligned} \quad (3.20)$$

Since \widehat{Q}_H commutes with the Hamiltonian, $[\widehat{\mathcal{H}}, \widehat{Q}_H] = 0$, we have that, if ψ_0^l is an eigenstate for the Liouvillian, then

$$\widehat{Q}_H \begin{pmatrix} \psi_0^l \\ 0 \\ 0 \\ 0 \end{pmatrix} = \begin{pmatrix} 0 \\ Q_1^- \psi_0^l \\ Q_2^- \psi_0^l \\ 0 \end{pmatrix} \quad (3.21)$$

is also an eigenstate for $\widehat{\mathcal{H}}$ with the same eigenvalue l . Not only, but if we rewrite the operator of evolution (3.14) as:

$$\widehat{\mathcal{H}} = \begin{pmatrix} \widehat{L} & 0 & 0 \\ 0 & \widehat{\mathcal{H}}_{kj}^{(1)} & 0 \\ 0 & 0 & \widehat{L} \end{pmatrix} \quad (3.22)$$

where

$$\widehat{\mathcal{H}}^{(1)} = \begin{pmatrix} \widehat{L} - i\partial_q\partial_p H & i\partial_q\partial_q H \\ -i\partial_p\partial_p H & \widehat{L} + i\partial_p\partial_q H \end{pmatrix} \quad (3.23)$$

then the following relation holds:

$$\widehat{\mathcal{H}}^{(1)} \begin{pmatrix} Q_1^- \psi_0^l \\ Q_2^- \psi_0^l \end{pmatrix} = l \begin{pmatrix} Q_1^- \psi_0^l \\ Q_2^- \psi_0^l \end{pmatrix} \quad (3.24)$$

i.e. the 2-vector $Q_j^- \psi_0^l$ is eigenstate for $\widehat{\mathcal{H}}^{(1)}$ with eigenvalue l :

$$\widehat{\mathcal{H}}_{kj}^{(1)}(Q_j^- \psi_0^l) = l(Q_k^- \psi_0^l). \quad (3.25)$$

Vice versa if a state $\psi_k^{(1)}$ is an eigenstate of the operator $\widehat{\mathcal{H}}^{(1)}$ with eigenvalue l , we have then that the associated 4-vector $\begin{pmatrix} 0 \\ \psi_k^{(1)} \\ 0 \end{pmatrix}$ is an eigenstate for $\widehat{\mathcal{H}}$ with the same

eigenvalue. Next let us notice how \widehat{Q}_H acts on states of the form $\begin{pmatrix} 0 \\ \psi_1^{(1)} \\ \psi_2^{(1)} \\ 0 \end{pmatrix}$:

$$\widehat{Q}_H \begin{pmatrix} 0 \\ \psi_k^{(1)} \\ 0 \end{pmatrix} = \begin{pmatrix} 0 & Q_1^+ & Q_2^+ & 0 \\ 0 & 0 & 0 & Q_2^+ \\ 0 & 0 & 0 & -Q_1^+ \\ 0 & 0 & 0 & 0 \end{pmatrix} \cdot \begin{pmatrix} 0 \\ \psi_1^{(1)} \\ \psi_2^{(1)} \\ 0 \end{pmatrix} = \begin{pmatrix} Q_k^+ \psi_k^{(1)} \\ 0 \\ 0 \\ 0 \end{pmatrix}. \quad (3.26)$$

As \widehat{Q}_H commutes with $\widehat{\mathcal{H}}$, we can conclude from (3.26) that the two states $\begin{pmatrix} 0 \\ \psi_k^{(1)} \\ 0 \end{pmatrix}$ and

$\begin{pmatrix} Q_k^+ \psi_k^{(1)} \\ 0 \\ 0 \\ 0 \end{pmatrix}$ are degenerate. From the form of these two states we can also phrase this

degeneracy by saying that, if $\psi_k^{(1)}$ is an eigenstate of $\widehat{\mathcal{H}}^{(1)}$, then the operators Q_k^+ map the eigenstates of $\widehat{\mathcal{H}}^{(1)}$ into eigenstates of the Liouvillian \widehat{L} , according to the following relation:

$$\widehat{L}(Q_k^+ \psi_k^{(1)}) = l(Q_k^+ \psi_k^{(1)}) \quad (3.27)$$

where summation over k is understood. A more complete and refined analysis can be performed on the basis of what has been done for supersymmetric quantum mechanics in Ref. [15]. The final result is that the two quite different operators like \widehat{L} and $\widehat{\mathcal{H}}^{(1)}$ have equivalent spectra. The only difference might be in the handling of the zero eigenvalue. We should notice that in our case one of the two operators, the Liouvillian \widehat{L} , has a deep physical meaning and its spectrum gives us information on important properties like the ergodicity [19], the mixing of the system, etc. So the fact that its spectrum is equivalent to the one of $\widehat{\mathcal{H}}^{(1)}$ may help in discovering further things on dynamical systems.

Up to now we have specified only which is the space of the wave functions whose evolution is given by the CPI, i.e. the space of 4-vectors ψ of Eq. (3.2). To build a true Hilbert space we have to introduce also a suitable scalar product between two different wave functions ψ and Φ . Following Ref. [12] one of the most natural choices is:

$$\langle \psi | \Phi \rangle = \int d\varphi [\psi_0^* \Phi_0 + \psi_q^* \Phi_q + \psi_p^* \Phi_p + \psi_2^* \Phi_2]. \quad (3.28)$$

With this scalar product all the states have positive definite norms and the only state with zero norm is the null state. It is possible to rewrite the scalar product (3.28) as:

$$\langle \psi | \Phi \rangle = \int d\varphi (\psi_0^* \psi_q^* \psi_p^* \psi_2^*) \begin{pmatrix} 1 & 0 & 0 & 0 \\ 0 & 1 & 0 & 0 \\ 0 & 0 & 1 & 0 \\ 0 & 0 & 0 & 1 \end{pmatrix} \begin{pmatrix} \Phi_0 \\ \Phi_q \\ \Phi_p \\ \Phi_2 \end{pmatrix} \quad (3.29)$$

or, in a more compact way:

$$\langle \psi | \Phi \rangle = \int d\varphi (\psi^T)^* \cdot \Phi. \quad (3.30)$$

With this inner product it is easy to prove that:

$$\langle \psi | c^a \Phi \rangle = \langle \bar{c}_a \psi | \Phi \rangle, \quad \langle \psi | \bar{c}_a \Phi \rangle = \langle c^a \psi | \Phi \rangle \quad (3.31)$$

i.e. the c and \bar{c} operators are one the hermitian conjugate of the other: $\bar{c} = c^\dagger = (c^T)^*$. With this rules the two number operators $N_q = c^q \bar{c}_q$ and $N_p = c^p \bar{c}_p$ are hermitian and commute with each other. Since $N_q^2 = N_q$ and $N_p^2 = N_p$ the only possible eigenvalues are 0 and 1 as it is particularly clear using their matrix representation derived from the matrix representation of c^q and c^p :

$$\begin{aligned} \widehat{N}_q &= \widehat{c}^q \widehat{\bar{c}}_q = \begin{pmatrix} 0 & 0 & 0 & 0 \\ 1 & 0 & 0 & 0 \\ 0 & 0 & 0 & 0 \\ 0 & 0 & 1 & 0 \end{pmatrix} \cdot \begin{pmatrix} 0 & 1 & 0 & 0 \\ 0 & 0 & 0 & 0 \\ 0 & 0 & 0 & 1 \\ 0 & 0 & 0 & 0 \end{pmatrix} = \begin{pmatrix} 0 & 0 & 0 & 0 \\ 0 & 1 & 0 & 0 \\ 0 & 0 & 0 & 0 \\ 0 & 0 & 0 & 1 \end{pmatrix} \\ \widehat{N}_p &= \widehat{c}^p \widehat{\bar{c}}_p = \begin{pmatrix} 0 & 0 & 0 & 0 \\ 0 & 0 & 0 & 0 \\ 1 & 0 & 0 & 0 \\ 0 & -1 & 0 & 0 \end{pmatrix} \cdot \begin{pmatrix} 0 & 0 & 1 & 0 \\ 0 & 0 & 0 & -1 \\ 0 & 0 & 0 & 0 \\ 0 & 0 & 0 & 0 \end{pmatrix} = \begin{pmatrix} 0 & 0 & 0 & 0 \\ 0 & 0 & 0 & 0 \\ 0 & 0 & 1 & 0 \\ 0 & 0 & 0 & 1 \end{pmatrix}. \end{aligned} \quad (3.32)$$

\widehat{N}_q and \widehat{N}_p are a complete set of commuting and hermitian operators for what concerns the Grassmannian part of the theory. This means that the knowledge of the simultaneous eigenvalues of \widehat{N}_q and \widehat{N}_p allows us to specify in a unique way which of the 4 basis vectors we have to consider. The correspondence between the eigenvalues (n_q, n_p) of $(\widehat{N}_q, \widehat{N}_p)$ and the basis state vectors of (3.2) is given by the following table:

$$\begin{aligned}
(0, 0) &\iff \begin{pmatrix} 1 \\ 0 \\ 0 \\ 0 \end{pmatrix}, & (1, 0) &\iff \begin{pmatrix} 0 \\ 1 \\ 0 \\ 0 \end{pmatrix} \\
(0, 1) &\iff \begin{pmatrix} 0 \\ 0 \\ 1 \\ 0 \end{pmatrix}, & (1, 1) &\iff \begin{pmatrix} 0 \\ 0 \\ 0 \\ 1 \end{pmatrix}.
\end{aligned} \tag{3.33}$$

Therefore every wave function ψ of the generalized Hilbert space can be expanded on the basis of the common eigenstates of \widehat{N}_q and \widehat{N}_p and it is possible to construct a resolution of the identity involving only these eigenstates. See also Ref. [8] where other types of scalar products have been analyzed.

4 Cartan Calculus in the $n = 1$ Case

It is well-known from the original papers [1] that a lot of operations of the Cartan calculus can be performed via the symmetry charges of the CPI. In this paper we have seen how, in the case $n = 1$, all these symmetry charges can be represented via 4×4 matrices. Therefore we expect that also the operations of differential geometry can be performed in terms of 4×4 matrices. We start remembering that if $n = 1$ the phase space is labeled by two variables q and p , a basis for the cotangent bundle is given by $dq \equiv c^q$ and $dp \equiv c^p$ and, as we have seen in Eq. (3.2), the most general non-homogeneous differential form $\psi = \psi_0 + \psi_q c^q + \psi_p c^p + \psi_2 c^p c^q$ can be represented

by the 4-vector $\psi = \begin{pmatrix} \psi_0 \\ \psi_q \\ \psi_p \\ \psi_2 \end{pmatrix}$.

• **Exterior Derivative.** With the identifications $dq \equiv c^q$ and $dp \equiv c^p$ we have that, for $n = 1$, the action of the exterior derivative \mathbf{d} on a 0-form is given by $\mathbf{d}\psi_0 = \partial_q \psi_0 c^q + \partial_p \psi_0 c^p$; on a 1-form is given by $\mathbf{d}(\psi_q c^q + \psi_p c^p) = (\partial_p \psi_q - \partial_q \psi_p) c^p c^q$ and finally on a 2-form is simply $\mathbf{d}(\psi_2 c^p c^q) = 0$. The symmetry charge \widehat{Q} can be interpreted as the exterior derivative also at the matrix level. In fact when we apply the matrix \widehat{Q} over the 4-vector ψ we produce a new 4-vector whose components are just the 4 components

of the differential form $\mathbf{d}\psi$ obtained acting with the exterior derivative \mathbf{d} over ψ .

$$\widehat{Q}\psi = \begin{pmatrix} 0 & 0 & 0 & 0 \\ \partial_q & 0 & 0 & 0 \\ \partial_p & 0 & 0 & 0 \\ 0 & \partial_p & -\partial_q & 0 \end{pmatrix} \begin{pmatrix} \psi_0 \\ \psi_q \\ \psi_p \\ \psi_2 \end{pmatrix} = \begin{pmatrix} 0 \\ \partial_q \psi_0 \\ \partial_p \psi_0 \\ \partial_p \psi_q - \partial_q \psi_p \end{pmatrix} \equiv \mathbf{d}\psi. \quad (4.1)$$

• **Form Number.** The symmetry charge \widehat{Q}_f is in relation with the form number of ψ . In fact:

$$\widehat{Q}_f \psi^{(p)} = \begin{pmatrix} 0 & 0 & 0 & 0 \\ 0 & 1 & 0 & 0 \\ 0 & 0 & 1 & 0 \\ 0 & 0 & 0 & 2 \end{pmatrix} \begin{pmatrix} \psi_0^{(0)} \\ \psi_q^{(1)} \\ \psi_p^{(1)} \\ \psi_2^{(2)} \end{pmatrix} = \begin{pmatrix} 0 \cdot \psi_0^{(0)} \\ 1 \cdot \psi_q^{(1)} \\ 1 \cdot \psi_p^{(1)} \\ 2 \cdot \psi_2^{(2)} \end{pmatrix} = p\psi^{(p)} \quad (4.2)$$

where the previous relation means that all the homogeneous forms are eigenstates for \widehat{Q}_f . In particular the 0-forms $\psi^{(0)}$ are eigenstates of \widehat{Q}_f with eigenvalue 0, the 1-forms $\psi^{(1)}$ are eigenstates with eigenvalue 1 and the 2-forms $\psi^{(2)}$ are eigenstates with eigenvalue 2.

• **Interior Contraction.** Which is the result of the interior contraction of a generic form with the vector field $V = V^a \widehat{c}_a = V^q \widehat{c}_q + V^p \widehat{c}_p$? Every 0-form has interior contraction 0 with V : $\iota_V \psi^{(0)} = 0$. Every 1-form of the type $\psi^{(1)} = \psi_q^{(1)} c^q + \psi_p^{(1)} c^p$ has the following interior contraction: $\iota_V \psi^{(1)} = V^q \psi_q^{(1)} + V^p \psi_p^{(1)}$. Finally the interior contraction with V of the 2-form $\psi^{(2)} = \psi_2^{(2)} c^p c^q$ is given by: $\iota_V \psi^{(2)} = V^p \psi_2^{(2)} c^q - V^q \psi_2^{(2)} c^p$. So we can say that the interior contraction of a form with the vector field V maps the 4-vector

$\begin{pmatrix} \psi_0^{(0)} \\ \psi_q^{(1)} \\ \psi_p^{(1)} \\ \psi_2^{(2)} \end{pmatrix}$ into the 4-vector $\begin{pmatrix} V^q \psi_q^{(1)} + V^p \psi_p^{(1)} \\ V^p \psi_2^{(2)} \\ -V^q \psi_2^{(2)} \\ 0 \end{pmatrix}$. It is easy to see that the matrix that

realizes the previous mapping is given by:

$$\iota_V = \begin{pmatrix} 0 & V^q & V^p & 0 \\ 0 & 0 & 0 & V^p \\ 0 & 0 & 0 & -V^q \\ 0 & 0 & 0 & 0 \end{pmatrix}. \quad (4.3)$$

The matrix (4.3) is just equal to $\widehat{V} = V^q \widehat{c}_q + V^p \widehat{c}_p$ where \widehat{c}_q and \widehat{c}_p are the matrix representations of the fermionic operators, see formula (3.7).

• **Lie Derivative along the Hamiltonian Flow.** If we take, as a particular case of the previous analysis, a Hamiltonian vector field $h^a = \omega^{ab} \partial_b H$, we have that $V^q = \partial_p H$, $V^p = -\partial_q H$ and the interior contraction (4.3) becomes:

$$\iota_h = \begin{pmatrix} 0 & \partial_p H & -\partial_q H & 0 \\ 0 & 0 & 0 & -\partial_q H \\ 0 & 0 & 0 & -\partial_p H \\ 0 & 0 & 0 & 0 \end{pmatrix}. \quad (4.4)$$

From the matrix representation of the interior contraction (4.4) and of the exterior derivative (4.1) we can easily derive the matrix representation for the Lie derivative associated with the Hamiltonian vector field h :

$$\mathcal{L}_h = \mathbf{d}\iota_h + \iota_h\mathbf{d} = \begin{pmatrix} i\widehat{L} & 0 & 0 & 0 \\ 0 & i\widehat{L} + \partial_q\partial_p H & -\partial_q\partial_q H & 0 \\ 0 & \partial_p\partial_p H & i\widehat{L} - \partial_p\partial_q H & 0 \\ 0 & 0 & 0 & i\widehat{L} \end{pmatrix}. \quad (4.5)$$

By comparing (3.14) with (4.5) we have that also at the matrix level $\widehat{\mathcal{H}} = -i\mathcal{L}_h$. So, when we apply the operator of evolution $\widehat{\mathcal{H}}$ on a generic form ψ we obtain a form whose components are given, modulus a factor $-i$, by the Lie derivative of the Hamiltonian flow: $\widehat{\mathcal{H}}\psi = -i\mathcal{L}_h\psi$.

• **Hodge Star.** The Hodge $*$ transformation is defined as [13]:

$$*(dx^{i_1} \wedge dx^{i_2} \wedge \dots \wedge dx^{i_p}) = \frac{1}{(n-p)!} \epsilon_{i_1 i_2 \dots i_p i_{p+1} \dots i_N} dx^{i_{p+1}} \wedge dx^{i_{p+2}} \wedge \dots \wedge dx^{i_N}. \quad (4.6)$$

In the language of the CPI we have that in the case of one degree of freedom ($N = 2$):

$$\begin{aligned} *(1) &= \epsilon_{qp} dq \wedge dp = dq \wedge dp \implies *(1) = c^q c^p \\ *(dx^i) &= \epsilon_{ij} dx^j \implies *(c^q) = c^p, *(c^p) = -c^q \\ *(dp \wedge dq) &= \epsilon_{pq} = -1 \implies *(c^p c^q) = -1. \end{aligned} \quad (4.7)$$

At the matrix level, with the convention (3.2), the action of $*$ is given by:

$$\begin{aligned} * \begin{pmatrix} 1 \\ 0 \\ 0 \\ 0 \end{pmatrix} &= \begin{pmatrix} 0 \\ 0 \\ 0 \\ -1 \end{pmatrix}, & * \begin{pmatrix} 0 \\ 1 \\ 0 \\ 0 \end{pmatrix} &= \begin{pmatrix} 0 \\ 0 \\ 1 \\ 0 \end{pmatrix}, \\ * \begin{pmatrix} 0 \\ 0 \\ 1 \\ 0 \end{pmatrix} &= \begin{pmatrix} 0 \\ -1 \\ 0 \\ 0 \end{pmatrix}, & * \begin{pmatrix} 0 \\ 0 \\ 0 \\ 1 \end{pmatrix} &= \begin{pmatrix} -1 \\ 0 \\ 0 \\ 0 \end{pmatrix}. \end{aligned} \quad (4.8)$$

Therefore the matrix representation for the Hodge $*$ transformation is:

$$* = \begin{pmatrix} 0 & 0 & 0 & -1 \\ 0 & 0 & -1 & 0 \\ 0 & 1 & 0 & 0 \\ -1 & 0 & 0 & 0 \end{pmatrix}. \quad (4.9)$$

• **The adjoint of \mathbf{d} .** The $*$ transformation can be used to define the following “scalar product” between forms:

$$(\alpha_p, \beta_p) = \int_{\mathcal{M}} \alpha_p \wedge *\beta_p. \quad (4.10)$$

Using it we can then define the adjoint δ of the exterior derivative \mathbf{d} as:

$$(\alpha_p, \mathbf{d}\beta_{p-1}) \equiv (\delta\alpha_p, \beta_{p-1}). \quad (4.11)$$

In particular it is possible to prove [13] that, in the case of a manifold with even dimension, the relation between δ and \mathbf{d} is $\delta = -*\mathbf{d}$. From the matrix representation of \mathbf{d} , Eq. (4.1), and of $*$, Eq. (4.9), we obtain the following matrix representation for δ :

$$\delta = \begin{pmatrix} 0 & -\partial_q & -\partial_p & 0 \\ 0 & 0 & 0 & -\partial_p \\ 0 & 0 & 0 & \partial_q \\ 0 & 0 & 0 & 0 \end{pmatrix}. \quad (4.12)$$

δ , as well as \mathbf{d} , is a nilpotent matrix and it lowers the degree of the forms by one. So somehow it acts like the symmetry charge \widehat{Q} , but, nevertheless, it does not coincide with it as we will prove now. In the language of the CPI we have that $\partial_a = i\lambda_a$ and, from the explicit form of the matrices \widehat{c} , Eq. (3.7), we easily obtain that:

$$\delta = \begin{pmatrix} 0 & -i\lambda_q & -i\lambda_p & 0 \\ 0 & 0 & 0 & -i\lambda_p \\ 0 & 0 & 0 & i\lambda_q \\ 0 & 0 & 0 & 0 \end{pmatrix} \equiv -i\lambda_q \widehat{c}_q - i\lambda_p \widehat{c}_p. \quad (4.13)$$

Note that the RHS of (4.13) is not \overline{Q} which is $\overline{Q} = -i\lambda_q \overline{c}_p + i\lambda_p \overline{c}_q$. Before concluding this section let us notice that the ‘‘inner product’’ (4.10) used in differential geometry coincides with the positive definite inner product defined in Eq. (3.28). Moreover from the associated hermiticity relations (3.31) among the Grassmannian operators $c^{q\dagger} = \overline{c}_q$, $c^{p\dagger} = \overline{c}_p$ we have that

$$\delta = (ic^q \lambda_q + ic^p \lambda_p)^\dagger \implies \delta = \mathbf{d}^\dagger \quad (4.14)$$

which is just equivalent to relation (4.11).

• **The Laplacian.** The Laplacian is defined starting from \mathbf{d} and δ as:

$$\Delta = (\mathbf{d} + \delta)^2 = \mathbf{d}\delta + \delta\mathbf{d}. \quad (4.15)$$

From (4.1) and (4.13) we have that the matrix representation of the Laplacian is given by $\mathbf{d}\delta + \delta\mathbf{d} = (-\partial_q^2 - \partial_p^2)\mathbf{1}_{4 \times 4}$ or, in the language of the CPI [1]:

$$\Delta = (\lambda_q^2 + \lambda_p^2)\mathbf{1}_{4 \times 4} \quad (4.16)$$

from which it is particularly clear that Δ is a positive definite operator.

5 Grassmann Algebras and Pauli Matrices

In order to generalize all the results of the previous sections to the case of a system with an arbitrary great number of degrees of freedom, it is particularly useful to find a representation of the Grassmannian operators in terms of tensor products of Pauli matrices. For the kind of analysis which follows I am greatly indebted to M.V. Ioffe [14].

In the case of $n = 1$ we had identified $\hat{c}^p = \frac{\sigma^{(-)}}{2} \otimes \mathbf{1}$ and $\hat{c}^q = \sigma_z \otimes \frac{\sigma^{(-)}}{2}$, in the general case we will re-arrange the variables φ^a as: $\varphi^1 = p_1$, $\varphi^2 = q_1$, $\varphi^3 = p_2$, $\varphi^4 = q_2$ and so on. Using this convention for the indices $1, 2, \dots, k$ on φ^k and c^k , the correspondence between the Grassmann operators and the Pauli matrices is:

$$\begin{cases} \hat{c}^k = (\sigma_z)^{\otimes k-1} \otimes \frac{\sigma^{(-)}}{2} \otimes (\mathbf{1})^{\otimes 2n-k}, & k = 1, \dots, 2n \\ \hat{c}_j = (\sigma_z)^{\otimes j-1} \otimes \frac{\sigma^{(+)}}{2} \otimes (\mathbf{1})^{\otimes 2n-j}, & j = 1, \dots, 2n \end{cases} \quad (5.1)$$

where

$$(\sigma_z)^{\otimes k-1} = \underbrace{\sigma_z \otimes \sigma_z \otimes \dots \otimes \sigma_z}_{k-1 \text{ times}} \quad (5.2)$$

and similarly for the other Pauli or identity matrices.

The next thing to do is to check that the \hat{c}^k, \hat{c}_j built in (5.1) satisfy the usual algebra of the Grassmannian variables

$$[\hat{c}^a, \hat{c}_b]_+ = \delta_b^a, \quad [\hat{c}^a, \hat{c}^b]_+ = [\hat{c}_a, \hat{c}_b]_+ = 0, \quad a, b = 1, \dots, 2n. \quad (5.3)$$

The calculation is quite long and it is reported in Appendix C. Its basic ingredients are the usual properties of the Pauli matrices $\sigma_x^2 = \sigma_y^2 = \sigma_z^2 = \mathbf{1}_{2 \times 2}$, $[\sigma_i, \sigma_j]_+ = 0$, $\left[\frac{\sigma^{(-)}}{2}, \frac{\sigma^{(+)}}{2}\right]_+ = \mathbf{1}_{2 \times 2}$, $[\sigma^{(-)}, \sigma^{(-)}]_+ = [\sigma^{(+)}, \sigma^{(+)}]_+ = 0$ and the following other relation involving tensor products of Pauli matrices

$$[(a \otimes b), (c \otimes d)] = (a \cdot c) \otimes (b \cdot d) - (c \cdot a) \otimes (d \cdot b). \quad (5.4)$$

So, thanks to the construction (5.1), it is possible to give an expression for the Grassmann operators of the CPI in terms of tensor products of suitable Pauli or identity matrices. The Grassmann algebra of \hat{c}, \hat{c} becomes then a direct consequence of the algebra of Pauli matrices. The construction (5.1) will allow us to generalize all the results obtained in the case $n = 1$ to the case of an arbitrary great number of degrees of freedom, without losing a certain compactness in the appearance of the formulas.

As we want to represent the Grassmann operators of the theory as tensor products of Pauli matrices we have to represent also the states of the Hilbert space underlying the CPI as tensor products of 2-dimensional vectors in a consistent way. For example in the $n = 1$ case, where we represented $\hat{c}^p = \frac{\sigma^{(-)}}{2} \otimes \mathbf{1}$ and $\hat{c}^q = \sigma_z \otimes \frac{\sigma^{(-)}}{2}$, the

correspondent Hilbert space can be constructed from all the possible tensor products of the 2-dimensional vectors on which the Pauli matrices act. These two basic vectors could be $\begin{pmatrix} 1 \\ 0 \end{pmatrix}$ and $\begin{pmatrix} 0 \\ 1 \end{pmatrix}$. Their tensor products are:

$$\begin{aligned} \begin{pmatrix} 1 \\ 0 \end{pmatrix} \otimes \begin{pmatrix} 1 \\ 0 \end{pmatrix} &= \begin{pmatrix} 1 \\ 0 \\ 0 \\ 0 \end{pmatrix} \Leftrightarrow 1, & \begin{pmatrix} 1 \\ 0 \end{pmatrix} \otimes \begin{pmatrix} 0 \\ 1 \end{pmatrix} &= \begin{pmatrix} 0 \\ 1 \\ 0 \\ 0 \end{pmatrix} \Leftrightarrow c^q, \\ \begin{pmatrix} 0 \\ 1 \end{pmatrix} \otimes \begin{pmatrix} 1 \\ 0 \end{pmatrix} &= \begin{pmatrix} 0 \\ 0 \\ 1 \\ 0 \end{pmatrix} \Leftrightarrow c^p, & \begin{pmatrix} 0 \\ 1 \end{pmatrix} \otimes \begin{pmatrix} 0 \\ 1 \end{pmatrix} &= \begin{pmatrix} 0 \\ 0 \\ 0 \\ 1 \end{pmatrix} \Leftrightarrow c^p c^q. \end{aligned} \quad (5.5)$$

These four states and the identifications we have indicated on their RHS are obviously consistent with the expression (3.2) since it is from there that we began our analysis. What we mean is that from (5.5) we obtain that the generic form

$$\psi(\varphi, c) = \psi_0(\varphi) \cdot 1 + \psi_q(\varphi) \cdot c^q + \psi_p(\varphi) \cdot c^p + \psi_2(\varphi) \cdot c^p c^q \quad (5.6)$$

can be identified with the 4-vector:

$$\psi(\varphi, c) = \begin{pmatrix} \psi_0(\varphi) \\ \psi_q(\varphi) \\ \psi_p(\varphi) \\ \psi_2(\varphi) \end{pmatrix} \quad (5.7)$$

that is just the RHS of Eq. (3.2). At this level an important thing to underline is that, once we have fixed the matrix representation of the Grassmannian operators, the representation of the states must be derived by consistency. Therefore the choice (5.1) implies that we have to order the components of the generic form ψ in a very peculiar manner. For example suppose we take $n = 2$ (that means $\varphi^a = (p^1, q^1, p^2, q^2)$, $c^a = (c^{p1}, c^{q1}, c^{p2}, c^{q2})$, $\bar{c}_a = (\bar{c}_{p1}, \bar{c}_{q1}, \bar{c}_{p2}, \bar{c}_{q2})$). The basis of the 0-form, which in (5.6) is indicated with 1, is given by the following vector with 16 components:

$$1 = \begin{pmatrix} 1 \\ 0 \end{pmatrix} \otimes \begin{pmatrix} 1 \\ 0 \end{pmatrix} \otimes \begin{pmatrix} 1 \\ 0 \end{pmatrix} \otimes \begin{pmatrix} 1 \\ 0 \end{pmatrix} = \delta_{i,1}. \quad (5.8)$$

For reasons of space we have not written down explicitly the 16-components vector. We have indicated it with $\delta_{i,1}$ which means a vector with an element 1 in the first position and all the other 15 elements equal to 0. For the 1-forms we have:

$$c^{q2} \equiv dq_2 \Leftrightarrow \begin{pmatrix} 1 \\ 0 \end{pmatrix} \otimes \begin{pmatrix} 1 \\ 0 \end{pmatrix} \otimes \begin{pmatrix} 1 \\ 0 \end{pmatrix} \otimes \begin{pmatrix} 0 \\ 1 \end{pmatrix} = \delta_{i,2},$$

$$\begin{aligned}
c^{p_2} \equiv dp_2 &\Leftrightarrow \begin{pmatrix} 1 \\ 0 \end{pmatrix} \otimes \begin{pmatrix} 1 \\ 0 \end{pmatrix} \otimes \begin{pmatrix} 0 \\ 1 \end{pmatrix} \otimes \begin{pmatrix} 1 \\ 0 \end{pmatrix} = \delta_{i,3}, \\
c^{q_1} \equiv dq_1 &\Leftrightarrow \begin{pmatrix} 1 \\ 0 \end{pmatrix} \otimes \begin{pmatrix} 0 \\ 1 \end{pmatrix} \otimes \begin{pmatrix} 1 \\ 0 \end{pmatrix} \otimes \begin{pmatrix} 1 \\ 0 \end{pmatrix} = \delta_{i,5}, \\
c^{p_1} \equiv dp_1 &\Leftrightarrow \begin{pmatrix} 0 \\ 1 \end{pmatrix} \otimes \begin{pmatrix} 1 \\ 0 \end{pmatrix} \otimes \begin{pmatrix} 1 \\ 0 \end{pmatrix} \otimes \begin{pmatrix} 1 \\ 0 \end{pmatrix} = \delta_{i,9}.
\end{aligned} \tag{5.9}$$

For the details of their construction see Appendix **D**. If we perform explicitly the previous tensor products we obtain four 16-dimensional vectors with all the elements equal to 0 except for one element equal to 1 placed respectively in the second, the third, the fifth and the ninth position. Here we note one defect of the representation we introduced: the components of the 1-form are scattered inside the 16-dimensional vector and they do not form a unique block of adjacent components, from the second to the fifth one, like it happens in the $n = 1$ case.

Having represented the states as tensor products, it is quite evident the reason why all the Grassmann algebra can be reconstructed starting from $\frac{\sigma^{(-)}}{2}$, $\frac{\sigma^{(+)}}{2}$ and σ_z . The matrix $\frac{\sigma^{(-)}}{2}$ plays the role of the operator of multiplication by c . In fact:

$$\begin{aligned}
\begin{pmatrix} 0 & 0 \\ 1 & 0 \end{pmatrix} \cdot \begin{pmatrix} 1 \\ 0 \end{pmatrix} &= \begin{pmatrix} 0 \\ 1 \end{pmatrix} \iff \hat{c} \cdot 1 = c \\
\begin{pmatrix} 0 & 0 \\ 1 & 0 \end{pmatrix} \cdot \begin{pmatrix} 0 \\ 1 \end{pmatrix} &= \begin{pmatrix} 0 \\ 0 \end{pmatrix} \iff \hat{c} \cdot c = 0.
\end{aligned} \tag{5.10}$$

The matrix $\frac{\sigma^{(+)}}{2}$ plays the role of the operator \bar{c} which is the derivative operator with respect to c . In fact:

$$\begin{aligned}
\begin{pmatrix} 0 & 1 \\ 0 & 0 \end{pmatrix} \begin{pmatrix} 1 \\ 0 \end{pmatrix} &= \begin{pmatrix} 0 \\ 0 \end{pmatrix} \iff \frac{\partial}{\partial c} 1 = 0 \\
\begin{pmatrix} 0 & 1 \\ 0 & 0 \end{pmatrix} \begin{pmatrix} 0 \\ 1 \end{pmatrix} &= \begin{pmatrix} 1 \\ 0 \end{pmatrix} \iff \frac{\partial}{\partial c} c = 1.
\end{aligned} \tag{5.11}$$

In the representation (5.1) also the matrix σ_z made its appearance and the reader may wonder on which is its role. Actually the matrix σ_z allows us to give to the states $\begin{pmatrix} 1 \\ 0 \end{pmatrix}$, $\begin{pmatrix} 0 \\ 1 \end{pmatrix}$ the grading factors that one has to introduce for the anticommutativity of the Grassmann variables. In fact the state $\begin{pmatrix} 1 \\ 0 \end{pmatrix}$ must be Grassmannian even in order to represent “1”, while the state $\begin{pmatrix} 0 \\ 1 \end{pmatrix}$ must be Grassmannian odd in order to

represent “ c ”. The matrix σ_z gives exactly the correct grading factor to the vectors $\begin{pmatrix} 1 \\ 0 \end{pmatrix}$ and $\begin{pmatrix} 0 \\ 1 \end{pmatrix}$:

$$\sigma_z \begin{pmatrix} 1 \\ 0 \end{pmatrix} = \begin{pmatrix} 1 \\ 0 \end{pmatrix}, \quad \sigma_z \begin{pmatrix} 0 \\ 1 \end{pmatrix} = - \begin{pmatrix} 0 \\ 1 \end{pmatrix}. \quad (5.12)$$

The presence of σ_z in (5.1) has the same goal. Let us in fact give the representation of the equation $\widehat{c}_q[c^p c^q] = \frac{\partial}{\partial c^q}(c^p c^q) = -c^p$ in terms of Pauli matrices in the case $n = 1$. It is:

$$\sigma_z \otimes \frac{\sigma^{(+)}}{2} \left[\begin{pmatrix} 0 \\ 1 \end{pmatrix} \otimes \begin{pmatrix} 0 \\ 1 \end{pmatrix} \right] = \sigma_z \begin{pmatrix} 0 \\ 1 \end{pmatrix} \otimes \frac{\sigma^{(+)}}{2} \begin{pmatrix} 0 \\ 1 \end{pmatrix} = - \begin{pmatrix} 0 \\ 1 \end{pmatrix} \otimes \begin{pmatrix} 1 \\ 0 \end{pmatrix}. \quad (5.13)$$

Note that the matrix σ_z is crucial in order to reproduce the minus sign on the RHS of Eq. (5.13). That minus sign was there in the original equations written in terms of c and was due to the fact that the derivative $\frac{\partial}{\partial c^q}$ had to go through a Grassmannian odd variable c^p in order to act on c^q .

6 Cartan Calculus and Pauli Matrices

With the tools developed in the previous section, we can now generalize to more than one degree of freedom what we did in Section 4, that means to write down all the operations of the Cartan calculus via Pauli matrices.

• **Exterior Derivative.** The exterior derivative $\mathbf{d} = \widehat{c}^a \partial_a$ is a linear operator in the variables c . From (5.1) its matrix representation is given by:

$$\mathbf{d} = \sum_{i=1}^{2n} \widehat{c}^i \partial_i = \sum_{j=1}^{2n} (\sigma_z)^{\otimes j-1} \otimes \frac{\sigma^{(-)}}{2} \partial_j \otimes (\mathbf{1})^{\otimes 2n-j}. \quad (6.1)$$

• **Form Number.** From the tensor expression (5.1) of \widehat{c} and \widehat{c} it is very easy to find the expression of \widehat{Q}_f in the general case:

$$\widehat{Q}_f = \sum_{j=1}^{2n} \widehat{c}^j \widehat{c}_j = \sum_{j=1}^{2n} (\sigma_z \cdot \sigma_z)^{\otimes j-1} \otimes \frac{\sigma^{(-)}}{2} \cdot \frac{\sigma^{(+)}}{2} \otimes (\mathbf{1})^{\otimes 2n-j}. \quad (6.2)$$

Since $\sigma_z \cdot \sigma_z = \mathbf{1}$ and $\frac{\sigma^{(-)}}{2} \cdot \frac{\sigma^{(+)}}{2} = \begin{pmatrix} 0 & 0 \\ 0 & 1 \end{pmatrix} = \frac{1}{2}(\mathbf{1} - \sigma_z)$ we can rewrite \widehat{Q}_f as:

$$\widehat{Q}_f = \sum_{j=1}^{2n} \widehat{c}^j \widehat{c}_j = \sum_{j=1}^{2n} (\mathbf{1})^{\otimes j-1} \otimes \frac{1}{2}(\mathbf{1} - \sigma_z) \otimes (\mathbf{1})^{\otimes 2n-j}. \quad (6.3)$$

We call \widehat{Q}_f the form number because an homogeneous form of degree p is an eigenstate for the matrix \widehat{Q}_f with eigenvalue p .

• **Interior Contraction.** In the case $n = 1$ the interior contraction with a vector field was given by $\iota_V = V^q \widehat{c}_q + V^p \widehat{c}_p$. In general we have: $\iota_V = V^j \widehat{c}_j$ whose matrix representation is given by:

$$\iota_V = \sum_{j=1}^{2n} (\sigma_z)^{\otimes j-1} \otimes \frac{\sigma^{(+)}}{2} V^j \otimes (\mathbf{1})^{\otimes 2n-j}. \quad (6.4)$$

In the particular case of a Hamiltonian vector field $V^j = \omega^{jk} \partial_k H$ we obtain:

$$\iota_h = \sum_{j,k=1}^{2n} (\sigma_z)^{\otimes j-1} \otimes \frac{\sigma^{(+)}}{2} \omega^{jk} \partial_k H \otimes (\mathbf{1})^{\otimes 2n-j}. \quad (6.5)$$

• **Lie Derivative along the Hamiltonian Flow.** It is easy to represent the Lie derivative along the Hamiltonian flow as a matrix starting from the matrix representation of the exterior derivative \mathbf{d} , Eq. (6.1), and of the interior contraction with a Hamiltonian vector field, Eq. (6.5). In fact, remembering [18] that the Lie derivative along the Hamiltonian vector field is given by the anticommutator of \mathbf{d} and ι_h : $\mathcal{L}_h = \mathbf{d}\iota_h + \iota_h\mathbf{d}$ we have that:

$$\begin{aligned} \mathcal{L}_h = \mathbf{d}\iota_h + \iota_h\mathbf{d} &= \sum_{j < k} (\mathbf{1})^{\otimes j-1} \otimes \left[\sigma_z, \frac{\sigma^{(+)}}{2} \right] \otimes (\sigma_z)^{\otimes k-j-1} \otimes \frac{\sigma^{(-)}}{2} \otimes (\mathbf{1})^{\otimes 2n-k} \omega^{jl} \partial_l H \partial_k \\ &+ \sum_{j < k} (\mathbf{1})^{\otimes j-1} \otimes \sigma_z \cdot \frac{\sigma^{(+)}}{2} \otimes (\sigma_z)^{\otimes k-j-1} \otimes \frac{\sigma^{(-)}}{2} \otimes (\mathbf{1})^{\otimes 2n-k} \omega^{jl} \partial_k \partial_l H \\ &+ \sum_j (\mathbf{1})^{\otimes j-1} \otimes \mathbf{1} \otimes (\mathbf{1})^{\otimes 2n-j} \omega^{jl} \partial_l H \partial_j + \\ &\sum_{j > k} (\mathbf{1})^{\otimes k-1} \otimes \left[\frac{\sigma^{(-)}}{2}, \sigma_z \right] \otimes (\sigma_z)^{\otimes j-k-1} \otimes \frac{\sigma^{(+)}}{2} \otimes (\mathbf{1})^{\otimes 2n-j} \omega^{jl} \partial_l H \partial_k \\ &+ \sum_{j > k} (\mathbf{1})^{\otimes k-1} \otimes \frac{\sigma^{(-)}}{2} \cdot \sigma_z \otimes (\sigma_z)^{\otimes j-k-1} \otimes \frac{\sigma^{(+)}}{2} \otimes (\mathbf{1})^{\otimes 2n-j} \omega^{jl} \partial_k \partial_l H \end{aligned} \quad (6.6)$$

Using the anticommutation relations $\left[\sigma_z, \frac{\sigma^{(+)}}{2} \right]_+ = \left[\frac{\sigma^{(-)}}{2}, \sigma_z \right]_+ = 0$ we can re-write (6.6) in the more compact form:

$$\begin{aligned} \mathcal{L}_h &= (\omega^{ab} \partial_b H \partial_a) (\mathbf{1})^{\otimes 2n} + \\ &- \sum_{j < k} (\mathbf{1})^{\otimes j-1} \otimes \frac{\sigma^{(+)}}{2} \sigma_z \otimes (\sigma_z)^{\otimes k-1-j} \otimes \frac{\sigma^{(-)}}{2} \otimes (\mathbf{1})^{\otimes 2n-k} \cdot \omega^{jl} \partial_l \partial_k H + \\ &- \sum_{j > k} (\mathbf{1})^{\otimes k-1} \otimes \sigma_z \frac{\sigma^{(-)}}{2} \otimes (\sigma_z)^{\otimes j-1-k} \otimes \frac{\sigma^{(+)}}{2} \otimes (\mathbf{1})^{\otimes 2n-j} \cdot \omega^{jl} \partial_l \partial_k H. \end{aligned} \quad (6.7)$$

It is easy to realize that Eq. (6.7) is just i times the matrix representation of \mathcal{H} :

$$\mathcal{L}_h = i\widehat{\mathcal{H}} = \omega^{ab}\partial_b H \partial_a - \widehat{c}_j \omega^{jl} \partial_l \partial_k H \widehat{c}^k. \quad (6.8)$$

To check that, we just have to use in $\widehat{\mathcal{H}}$ the usual matrix representation (5.1) for the fermionic operators $\widehat{c}, \widehat{c}^$:

$$\begin{aligned} \widehat{c}^k &= (\sigma_z)^{\otimes k-1} \otimes \frac{\sigma^{(-)}}{2} \otimes (\mathbf{1})^{\otimes 2n-k}, \\ \widehat{c}_j &= (\sigma_z)^{\otimes j-1} \otimes \frac{\sigma^{(+)}}{2} \otimes (\mathbf{1})^{\otimes 2n-j}. \end{aligned} \quad (6.9)$$

This confirms that the operator \mathcal{H} which appears in the weight of the CPI (2.4) is nothing else than the Lie derivative along the Hamiltonian flow.

• **The Adjoint of \mathbf{d} and the Laplacian.** The Grassmann expression of δ is $\delta = -\widehat{c}_j \partial_j$ and using (5.1) we obtain that in terms of Pauli matrices:

$$\delta = -\widehat{c}_j \partial_j = -\sum_{j=1}^{2n} (\sigma_z)^{\otimes j-1} \otimes \frac{\sigma^{(+)}}{2} \partial_j \otimes (\mathbf{1})^{\otimes 2n-j}. \quad (6.10)$$

This is the expression of δ for an arbitrary number of degrees of freedom n . It is possible to prove that \mathbf{d} and δ are nilpotent. Let us check that for the exterior derivative \mathbf{d} :

$$\begin{aligned} \mathbf{d}^2 &= \sum_{jk} \left[(\sigma_z)^{\otimes j-1} \otimes \frac{\sigma^{(-)}}{2} \partial_j \otimes (\mathbf{1})^{\otimes 2n-j} \right] \left[(\sigma_z)^{\otimes k-1} \otimes \frac{\sigma^{(-)}}{2} \partial_k \otimes (\mathbf{1})^{\otimes 2n-k} \right] = \\ &= \sum_{j < k} (\mathbf{1})^{\otimes j-1} \otimes \frac{\sigma^{(-)}}{2} \sigma_z \partial_j \otimes (\sigma_z)^{\otimes k-1-j} \otimes \frac{\sigma^{(-)}}{2} \partial_k \otimes (\mathbf{1})^{\otimes 2n-k} + \\ &\quad + \sum_{k < j} (\mathbf{1})^{\otimes k-1} \otimes \sigma_z \frac{\sigma^{(-)}}{2} \partial_k \otimes (\sigma_z)^{\otimes j-1-k} \otimes \frac{\sigma^{(-)}}{2} \partial_j \otimes (\mathbf{1})^{\otimes 2n-j} = \\ &= \sum_{j < k} (\mathbf{1})^{\otimes j-1} \otimes \left[\frac{\sigma^{(-)}}{2}, \sigma_z \right]_+ \partial_j \otimes (\sigma_z)^{\otimes k-1-j} \otimes \frac{\sigma^{(-)}}{2} \partial_k \otimes (\mathbf{1})^{\otimes 2n-k} = \\ &= 0 \end{aligned} \quad (6.11)$$

where we have used respectively the fact that:

- 1) the terms with $j = k$ do not contribute to the sum since $\frac{\sigma^{(-)}}{2}$ is nilpotent;
- 2) j and k are dummy indices and so they can be interchanged;
- 3) $\left[\frac{\sigma^{(-)}}{2}, \sigma_z \right]_+ = 0$.

With an analogous calculation one can prove that $\delta^2 = 0$. Because of this the Laplacian turns out to be just the anticommutator of \mathbf{d} and δ : $\Delta = (\mathbf{d} + \delta)^2 = [\mathbf{d}, \delta]_+$. Using

this and the matrix representations of \mathbf{d} and δ we have for the Laplacian the following expression:

$$\begin{aligned}
\Delta &= -\left[\sum_j (\sigma_z)^{\otimes j-1} \otimes \frac{\sigma^{(-)}}{2} \partial_j \otimes (\mathbf{1})^{\otimes 2n-j}, \sum_k (\sigma_z)^{\otimes k-1} \otimes \frac{\sigma^{(+)}}{2} \partial_k \otimes (\mathbf{1})^{\otimes 2n-k} \right]_+ = \\
&= -\sum_{j < k} (\mathbf{1})^{\otimes j-1} \otimes \left[\frac{\sigma^{(-)}}{2}, \sigma_z \right]_+ \partial_j \otimes (\sigma_z)^{\otimes k-j-1} \otimes \frac{\sigma^{(+)}}{2} \partial_k \otimes (\mathbf{1})^{\otimes 2n-k} \\
&\quad - \sum_j (\mathbf{1})^{\otimes j-1} \otimes \left[\frac{\sigma^{(-)}}{2}, \frac{\sigma^{(+)}}{2} \right]_+ \partial_j^2 \otimes (\mathbf{1})^{\otimes 2n-j} \\
&\quad - \sum_{j > k} (\mathbf{1})^{\otimes k-1} \otimes \left[\sigma_z, \frac{\sigma^{(+)}}{2} \right]_+ \partial_k \otimes (\sigma_z)^{\otimes j-k-1} \otimes \frac{\sigma^{(-)}}{2} \partial_j \otimes (\mathbf{1})^{\otimes 2n-j} = \\
&= -\sum_j (\mathbf{1})^{\otimes j-1} \otimes \mathbf{1} \partial_j^2 \otimes (\mathbf{1})^{\otimes 2n-j}. \tag{6.12}
\end{aligned}$$

In the notations of the CPI we have for Δ the following positive definite operator:

$$\Delta = \sum_{j=1}^{2n} (\mathbf{1})^{\otimes j-1} \otimes \mathbf{1} \lambda_j^2 \otimes (\mathbf{1})^{\otimes 2n-j}. \tag{6.13}$$

• **Other Symmetry Charges of the CPI.** In the CPI some other charges were found [1] which had also a clear geometrical meaning. For completeness we will write down here their expression in terms of Pauli matrices:

$$\begin{aligned}
\widehat{Q} &= \widehat{c}_a \omega^{ab} \partial_b = \sum_{j,l=1}^{2n} (\sigma_z)^{\otimes j-1} \otimes \frac{\sigma^{(+)}}{2} \omega^{jl} \partial_l \otimes (\mathbf{1})^{\otimes 2n-j} \\
\widehat{K} &= \frac{1}{2} \omega_{ab} \widehat{c}^a \widehat{c}^b = \sum_{i=1}^n \widehat{c}^{p_i} \widehat{c}^{q_i} = \\
&= \sum_{i=1}^n \left[(\sigma_z)^{\otimes 2(i-1)} \otimes \frac{\sigma^{(-)}}{2} \otimes (\mathbf{1})^{\otimes 2(n-i)+1} \right] \left[(\sigma_z)^{\otimes 2i-1} \otimes \frac{\sigma^{(-)}}{2} \otimes (\mathbf{1})^{\otimes 2(n-i)} \right] = \\
&= \sum_{i=1}^n (\mathbf{1})^{\otimes 2(i-1)} \otimes \frac{\sigma^{(-)}}{2} \sigma_z \otimes \frac{\sigma^{(-)}}{2} \otimes (\mathbf{1})^{\otimes 2(n-i)} = \\
&= \sum_{i=1}^n (\mathbf{1})^{\otimes 2i-2} \otimes \left(\frac{\sigma^{(-)}}{2} \right)^{\otimes 2} \otimes (\mathbf{1})^{\otimes 2n-2i} \\
\widehat{K} &= \sum_{i=1}^n \widehat{c}_{q_i} \widehat{c}_{p_i} = \sum_{i=1}^n (\mathbf{1})^{\otimes 2i-2} \otimes \left(\frac{\sigma^{(+)}}{2} \right)^{\otimes 2} \otimes (\mathbf{1})^{\otimes 2n-2i} \tag{6.14} \\
\widehat{Q}_H &= \sum_{j=1}^{2n} \widehat{c}^j (\partial_j - \beta \partial_j H) = \sum_{j=1}^{2n} (\sigma_z)^{\otimes j-1} \otimes \frac{\sigma^{(-)}}{2} (\partial_j - \beta \partial_j H) \otimes (\mathbf{1})^{\otimes 2n-j} \\
\widehat{Q}_H &= \sum_{j,l=1}^{2n} \widehat{c}_j \omega^{jl} (\partial_l + \beta \partial_l H) = \sum_{j,l=1}^{2n} (\sigma_z)^{\otimes j-1} \otimes \frac{\sigma^{(+)}}{2} \omega^{jl} (\partial_l + \beta \partial_l H) \otimes (\mathbf{1})^{\otimes 2n-j}.
\end{aligned}$$

7 Summary and Conclusions

In this paper we have shown that the differential forms on a symplectic manifold can be mapped into suitable tensor products of 2-dimensional vectors $\begin{pmatrix} 1 \\ 0 \end{pmatrix}$ and $\begin{pmatrix} 0 \\ 1 \end{pmatrix}$. Similarly all the operations of the Cartan calculus like exterior derivatives, interior contractions, Lie derivatives can be represented by suitable tensor products of Pauli matrices. This sort of mapping was made easy by the results of Ref. [1] where all the abstract concepts of differential geometry on symplectic manifolds were turned into operations on Grassmannian variables. The next step was to give a matrix representation to these Grassmannian variables.

The reader may ask now two questions. The first is if these results can be generalized to arbitrary non-symplectic manifolds. We feel this is possible by first going through a sort of formalism like that of Ref. [1]. Basically we will first give a functional representation of the vector flows on this manifold as in [1] and then study the geometrical meaning of the Grassmannian variables which will naturally appear. Second we will try to represent these Grassmannian variables and operators via vectors and matrices. In the case of symplectic manifolds these matrices are the tensor product of an *even* number of Pauli matrices, in the general case they should reduce to tensor products of an *arbitrary* number of Pauli matrices. The second question the reader may ask is which is the usefulness of what we did in this paper. *First* we think that, having reduced the differential forms to vectors and the Cartan operations to tensor products of Pauli matrices, may help in building computer packages to do differential calculus. *Second*, as the variables c could be interpreted not only as forms but also as Jacobi fields [1] and a lot of information on concepts like ergodicity and chaos [4][9] could be extracted from them, we think that their new representation as tensor products of 2-dimensional vectors could help in having simpler computer simulations of these systems. *Last*, but not least, a further application of this formalism could be in the field of “quantum computation” [20]. In this field a crucial role is taken by the “spin” 1/2 variables needed in order to implement logical gates. In classical mechanics (CM) no spin 1/2 variable seemed possible. In this paper instead we have proved that if we include differential forms in CM, there is a natural appearance of concepts like Pauli matrices and spin 1/2 states. Moreover, besides this, CM can be endowed with a Hilbert space [8] structure, so this formulation seems to be the perfect one in which to handle controversial issues, nowadays present in the field of quantum computation [20], of how much some features of quantum computation are truly quantum and how much they are instead just classical.

Acknowledgments

I wish to thank G. Pastore for some questions which triggered the present investigation. A very special thank to E. Gozzi for a lot of useful discussions and help and to M.V. Ioffe for some important technical suggestions. This work has been supported in part by funds from INFN, MIUR and the University of Trieste.

A Appendix

Evolution of a Generalized Wave Function in the Matrix Formulation

In this Appendix we want to give a very simple example of how it is possible to reconstruct the evolution of a generalized wave function in the matrix formulation of the CPI. Suppose we consider the generic wave function:

$$\psi(t=0) = \psi_0(\varphi) \begin{pmatrix} 1 \\ 0 \\ 0 \\ 0 \end{pmatrix} + \psi_q(\varphi) \begin{pmatrix} 0 \\ 1 \\ 0 \\ 0 \end{pmatrix} + \psi_p(\varphi) \begin{pmatrix} 0 \\ 0 \\ 1 \\ 0 \end{pmatrix} + \psi_2(\varphi) \begin{pmatrix} 0 \\ 0 \\ 0 \\ 1 \end{pmatrix}. \quad (\text{A.1})$$

We want to reconstruct its evolution in the free particle case, i.e. with $H = p^2/2$. Inserting this H into the $\widehat{\mathcal{H}}$ of (3.14) we get:

$$\widehat{\mathcal{H}} = \widehat{L} \cdot \mathbf{1}_{4 \times 4} + i\widehat{c}_q \cdot \widehat{c}^p = \begin{pmatrix} \widehat{L} & 0 & 0 & 0 \\ 0 & \widehat{L} & 0 & 0 \\ 0 & -i & \widehat{L} & 0 \\ 0 & 0 & 0 & \widehat{L} \end{pmatrix}. \quad (\text{A.2})$$

The wave function at time t will be given by:

$$\begin{aligned} \psi(t) &= e^{-i\widehat{\mathcal{H}}t} \psi(t=0) = e^{-i\widehat{L}t} e^{i\widehat{c}_q \widehat{c}^p t} \psi(t=0) = e^{-i\widehat{L}t} (1 + \widehat{c}_q \widehat{c}^p t) \psi(t=0) = \\ &= e^{-i\widehat{L}t} \psi_0(\varphi) \begin{pmatrix} 1 & 0 & 0 & 0 \\ 0 & 1 & 0 & 0 \\ 0 & -t & 1 & 0 \\ 0 & 0 & 0 & 1 \end{pmatrix} \begin{pmatrix} 1 \\ 0 \\ 0 \\ 0 \end{pmatrix} + e^{-i\widehat{L}t} \psi_q(\varphi) \begin{pmatrix} 1 & 0 & 0 & 0 \\ 0 & 1 & 0 & 0 \\ 0 & -t & 1 & 0 \\ 0 & 0 & 0 & 1 \end{pmatrix} \begin{pmatrix} 0 \\ 1 \\ 0 \\ 0 \end{pmatrix} \\ &+ e^{-i\widehat{L}t} \psi_p(\varphi) \begin{pmatrix} 1 & 0 & 0 & 0 \\ 0 & 1 & 0 & 0 \\ 0 & -t & 1 & 0 \\ 0 & 0 & 0 & 1 \end{pmatrix} \begin{pmatrix} 0 \\ 0 \\ 1 \\ 0 \end{pmatrix} + e^{-i\widehat{L}t} \psi_2(\varphi) \begin{pmatrix} 1 & 0 & 0 & 0 \\ 0 & 1 & 0 & 0 \\ 0 & -t & 1 & 0 \\ 0 & 0 & 0 & 1 \end{pmatrix} \begin{pmatrix} 0 \\ 0 \\ 0 \\ 1 \end{pmatrix}. \end{aligned} \quad (\text{A.3})$$

We know that the evolution of a function $\psi_i(\varphi)$ with the Liouvillian does not alter its functional form but forces us only to replace its argument φ with $\varphi_t = (q_t, p_t)$ that, in

the case of a free particle, is given by $\varphi_t = (q - pt, p)$, see [16]. So, if we identify with $\psi_i(\varphi_t)$ the evolution with the Liouvillian of the i -th component of the wave function:

$$\psi_i(\varphi_t) = e^{-i\hat{L}t}\psi_i(\varphi) \quad (\text{A.4})$$

we can rewrite the wave function (A.3) in a compact way as:

$$\psi(t) = \begin{pmatrix} \psi_0(\varphi_t) \\ \psi_q(\varphi_t) \\ \psi_p(\varphi_t) - t\psi_q(\varphi_t) \\ \psi_2(\varphi_t) \end{pmatrix}. \quad (\text{A.5})$$

According to the conventions of Eq. (3.2) we have that the expansion of $\psi(\varphi, c)$ in terms of the c 's is given by

$$\begin{aligned} \psi(t) &= \psi_0(\varphi_t) + \psi_q(\varphi_t)c^q + (\psi_p(\varphi_t) - t\psi_q(\varphi_t))c^p + \psi_2(\varphi_t)c^p c^q = \\ &= \psi_0(\varphi_t) + \psi_q(\varphi_t)(c^q - tc^p) + \psi_p(\varphi_t)c^p + \psi_2(\varphi_t)c^p c^q. \end{aligned} \quad (\text{A.6})$$

The same result can be obtained by means of the kernel of propagation of the CPI [1]:

$$K(\varphi, c, t|\varphi_i, c_i, t) = \delta(\varphi(t) - \varphi_{cl}(t))\delta(c(t) - c_{cl}(t)). \quad (\text{A.7})$$

In fact in the case of a free particle (A.7) becomes:

$$K(\varphi, c, t|\varphi_i, c_i, t_i) = \delta(q - q_i - p_i t)\delta(p - p_i)\delta(c^q - c_i^q - c_i^p t)\delta(c^p - c_i^p) \quad (\text{A.8})$$

and the wave function at time t is

$$\begin{aligned} \psi(\varphi, c, t) &= \int dq_i dp_i dc_i^p dc_i^q K(\varphi, c, t|\varphi_i, c_i, t_i)\psi(\varphi_i, c_i) = \\ &= \psi(q - pt, p, c^q - tc^p, c^p, 0). \end{aligned} \quad (\text{A.9})$$

The RHS of Eq. (A.9) coincides exactly with the result obtained in Eq. (A.6) where $\varphi_t = (q - pt, p)$.

B Appendix

The Group of Symmetry Charges of the CPI

It is well-known, see paper [1], that the charges Q_f , K and \overline{K} make an algebra that is, modulus a central extension, the algebra of the group $\text{Sp}(2)$:

$$\begin{aligned} [Q_f, K]_- &= 2K \\ [Q_f, \overline{K}]_- &= -2\overline{K} \\ [K, \overline{K}]_- &= Q_f - 1. \end{aligned} \quad (\text{B.1})$$

It is easy to check that the 4×4 matrices $\widehat{K}, \overline{\widehat{K}}, \widehat{Q}_f$ defined in (3.10) satisfy (B.1). Since the matrix $\mathbf{1}_{4 \times 4}$ commutes with \widehat{K} and $\overline{\widehat{K}}$ it is also possible to throw away the central extension of the algebra by replacing $\widehat{Q}_f \rightarrow \widehat{Q}_f - \mathbf{1}_{4 \times 4}$. What we want to prove now is that 2×2 matrices are sufficient to reproduce the $\text{Sp}(2)$ algebra (B.1). Not only, but the matrices we have to consider are just the matrices $\frac{\sigma^{(+)}}{2}, \frac{\sigma^{(-)}}{2}, \sigma_z$ we used several times in the previous sections. In fact:

$$\begin{aligned} \left[\sigma_z, \frac{\sigma^{(+)}}{2} \right]_- &= \begin{pmatrix} 0 & 2 \\ 0 & 0 \end{pmatrix} = 2 \left(\frac{\sigma^{(+)}}{2} \right) \\ \left[\sigma_z, \frac{\sigma^{(-)}}{2} \right]_- &= \begin{pmatrix} 0 & 0 \\ -2 & 0 \end{pmatrix} = -2 \left(\frac{\sigma^{(-)}}{2} \right) \\ \left[\frac{\sigma^{(+)}}{2}, \frac{\sigma^{(-)}}{2} \right]_- &= \begin{pmatrix} 1 & 0 \\ 0 & -1 \end{pmatrix} = \sigma_z. \end{aligned} \quad (\text{B.2})$$

So, if we identify $Q_f = \sigma_z$, $K = \frac{\sigma^{(+)}}{2}$, $\overline{K} = \frac{\sigma^{(-)}}{2}$, we can reproduce the $\text{Sp}(2)$ algebra, without any central extension, in terms of Pauli matrices. Moreover the only 2×2 matrices that commute with the 3 generators of $\text{Sp}(2)$ are the matrices proportional to the identity. This fact confirms that the representation we found is irreducible. We note however that, while it is possible to represent the generators of $\text{Sp}(2)$ as 2×2 matrices, it is completely impossible to include also the Q, \overline{Q} charges. For example it is impossible to find a 2×2 matrix Q which satisfies the relation $[Q_f, Q]_- = Q$. Therefore if we want to extend $\text{Sp}(2)$ including all the other symmetry charges of the CPI we have to consider 4×4 instead of 2×2 matrices in order to find non trivial representations of the algebra. For sure the matrices of operators (3.10)-(3.12) satisfy the correct algebra of the symmetry charges of the CPI. What we want to prove now is that it is possible to find an irreducible representation of the symmetry charges of the CPI in terms of 4×4 matrices whose entries are *real numbers*. Suppose we consider, as independent charges, $Q = ic^a \lambda_a$, $\overline{Q} = i\overline{c}_a \omega^{ab} \lambda_b$, $-i\overline{N} = -i\overline{c}_a \omega^{ab} \partial_b H$, $iN = ic^a \partial_a H$. They are 4 conserved charges and the only anticommutators different from zero are: $[Q, -i\overline{N}]_+ = [\overline{Q}, iN]_+ = \mathcal{H}$. Since \mathcal{H} is a Casimir for the entire algebra the irreducible representations will be labeled by its eigenvalues h . Using the Appendix of Ref. [17] about the irreducible representations of $\text{S}(2)$, we can start by considering two basis vectors e_1, e_2 to represent the subalgebra $[Q, -i\overline{N}]_+ = \mathcal{H}$ and two basis vectors f_1, f_2 to represent the subalgebra $[\overline{Q}, iN]_+ = \mathcal{H}$:

$$\begin{aligned} Qe_1 &= \sqrt{h}e_2, & -i\overline{N}e_1 &= 0, & iNf_1 &= \sqrt{h}f_2, & \overline{Q}f_1 &= 0, \\ Qe_2 &= 0, & -i\overline{N}e_2 &= \sqrt{h}e_1, & iNf_2 &= 0, & \overline{Q}f_2 &= \sqrt{h}f_1 \end{aligned} \quad (\text{B.3})$$

where we choose e_1, f_1 as Grassmannian even and consequently e_2, f_2 as Grassmannian odd. A basis to represent the algebra of $Q, \overline{Q}, iN, -i\overline{N}, \mathcal{H}$ is given by: $F_1 = e_1 f_1$, $F_2 = e_1 f_2$, $F_3 = e_2 f_1$, $F_4 = e_2 f_2$. Obviously F_1 and F_4 are Grassmannian even while

F_2 and F_3 are Grassmannian odd. The matrix representation of Q is given by:

$$\begin{aligned}
QF_1 &= (Qe_1)f_1 = \sqrt{h}e_2f_1 = \sqrt{h}F_3 \\
QF_2 &= (Qe_1)f_2 = \sqrt{h}e_2f_2 = \sqrt{h}F_4 \\
&\quad \downarrow \\
Q &= \begin{pmatrix} 0 & 0 & 0 & 0 \\ 0 & 0 & 0 & 0 \\ \sqrt{h} & 0 & 0 & 0 \\ 0 & \sqrt{h} & 0 & 0 \end{pmatrix}. \tag{B.4}
\end{aligned}$$

In the same way we can find the matrices associated to the other symmetry charges:

$$\begin{aligned}
-i\bar{N} &= \begin{pmatrix} 0 & 0 & \sqrt{h} & 0 \\ 0 & 0 & 0 & \sqrt{h} \\ 0 & 0 & 0 & 0 \\ 0 & 0 & 0 & 0 \end{pmatrix}, & \bar{Q} &= \begin{pmatrix} 0 & \sqrt{h} & 0 & 0 \\ 0 & 0 & 0 & 0 \\ 0 & 0 & 0 & -\sqrt{h} \\ 0 & 0 & 0 & 0 \end{pmatrix} \\
iN &= \begin{pmatrix} 0 & 0 & 0 & 0 \\ \sqrt{h} & 0 & 0 & 0 \\ 0 & 0 & 0 & 0 \\ 0 & 0 & -\sqrt{h} & 0 \end{pmatrix}, & \mathcal{H} &= \begin{pmatrix} h & 0 & 0 & 0 \\ 0 & h & 0 & 0 \\ 0 & 0 & h & 0 \\ 0 & 0 & 0 & h \end{pmatrix}. \tag{B.5}
\end{aligned}$$

Among the charges (B.4)-(B.5) only the following anticommutators are different from zero: $[Q, -i\bar{N}]_+ = [\bar{Q}, iN]_+ = \mathcal{H}$. Among these 4×4 matrices there is enough space also for the charges $Q_f = c^a \bar{c}_a$, $K = \frac{1}{2} \omega_{ab} c^a c^b$ and $\bar{K} = \frac{1}{2} \omega^{ab} \bar{c}_a \bar{c}_b$:

$$\begin{aligned}
Q_f &= \begin{pmatrix} 0 & 0 & 0 & 0 \\ 0 & 1 & 0 & 0 \\ 0 & 0 & 1 & 0 \\ 0 & 0 & 0 & 2 \end{pmatrix}, \\
K &= \begin{pmatrix} 0 & 0 & 0 & 0 \\ 0 & 0 & 0 & 0 \\ 0 & 0 & 0 & 0 \\ 1 & 0 & 0 & 0 \end{pmatrix}, & \bar{K} &= \begin{pmatrix} 0 & 0 & 0 & 1 \\ 0 & 0 & 0 & 0 \\ 0 & 0 & 0 & 0 \\ 0 & 0 & 0 & 0 \end{pmatrix}. \tag{B.6}
\end{aligned}$$

In Eq. (B.6) we have found again the matrices of Eq. (3.10). The novelty is entirely contained in Eqs. (B.4)-(B.5) since there we have matrices whose entries are real numbers instead of operators. All the matrices we have defined here satisfy the correct algebra of the symmetry charges of the CPI, which can be found in the original papers [1] or in Eq. (3.11). It is possible to prove that the only 4×4 matrix that commutes with all the symmetry charges of the theory is given, modulus a proportionality factor, by the identity matrix. Therefore the representation we have found is irreducible. So, in order to construct a non trivial irreducible representation of the symmetry charges of the CPI, we just need 2 Grassmannian even states (F_1 and F_4) and 2 Grassmannian

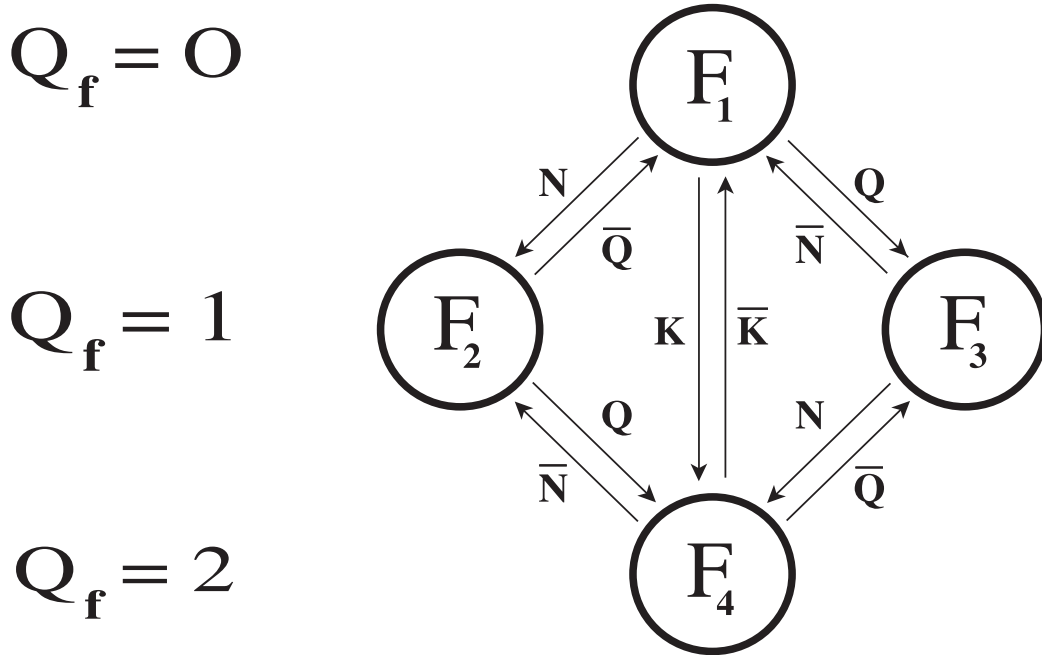


Figure 1: Representation of the CPI charges

odd states (F_2 and F_3). All these 4 states can be connected each other by means of the symmetry charges as it emerges from Figure 1. For example the charges Q and N which increase the form number by one allow us to go from F_1 to F_2, F_3 and from F_2, F_3 to F_4 . The charge K which increases the form number by 2 allows us to go from F_1 to F_4 . In the opposite direction we can go via \bar{K} .

C Appendix

Calculational Details

In this Appendix we will give the details of the derivation of formula (5.3), i.e. we want to derive the Grassmann algebra from the properties of the Pauli matrices. First of all we want to prove that all the \hat{c} anticommute. If we take two indices k and l with $k < l$ we have that:

$$\hat{c}^k \hat{c}^l = \mathbf{1} \otimes \mathbf{1} \otimes \dots \otimes \mathbf{1} \otimes \underbrace{\frac{\sigma^{(-)}}{2} \sigma_z}_{k} \otimes \sigma_z \otimes \sigma_z \otimes \dots \otimes \underbrace{\frac{\sigma^{(-)}}{2}}_l \otimes \mathbf{1} \otimes \dots \otimes \mathbf{1} \quad (\text{C.1})$$

while

$$\hat{c}^l \hat{c}^k = \mathbf{1} \otimes \mathbf{1} \otimes \dots \otimes \mathbf{1} \otimes \underbrace{\sigma_z \frac{\sigma^{(-)}}{2}}_k \otimes \sigma_z \otimes \sigma_z \otimes \dots \otimes \underbrace{\frac{\sigma^{(-)}}{2}}_l \otimes \mathbf{1} \otimes \dots \otimes \mathbf{1}. \quad (\text{C.2})$$

Therefore the anticommutator is given by:

$$[\hat{c}^k, \hat{c}^l]_+ = \mathbf{1} \otimes \mathbf{1} \otimes \dots \otimes \mathbf{1} \otimes \underbrace{\left[\frac{\sigma^{(-)}}{2}, \sigma_z \right]_+}_k \otimes \sigma_z \otimes \sigma_z \otimes \dots \otimes \underbrace{\frac{\sigma^{(-)}}{2}}_l \otimes \mathbf{1} \otimes \dots \otimes \mathbf{1} \quad (\text{C.3})$$

and so \hat{c}^k and \hat{c}^l anticommute because $\left[\frac{\sigma^{(-)}}{2}, \sigma_z \right]_+ = 0$. If instead we take $k = l$ we have immediately:

$$\hat{c}^k \hat{c}^k = \mathbf{1} \otimes \mathbf{1} \otimes \dots \otimes \mathbf{1} \otimes \left(\frac{\sigma^{(-)}}{2} \right)^2 \otimes \mathbf{1} \otimes \dots \otimes \mathbf{1}. \quad (\text{C.4})$$

So $\hat{c}^k \hat{c}^k = 0$ because $\left(\frac{\sigma^{(-)}}{2} \right)^2 = 0$. The proof that all the \hat{c} anticommute is the same as the previous one with $\sigma^{(-)}$ replaced everywhere by $\sigma^{(+)}$.

The only thing that remains to be proved is the result of the anticommutator of \hat{c} with \hat{c} : If $k < l$ we have

$$\hat{c}^k \hat{c}_l = \mathbf{1} \otimes \mathbf{1} \otimes \dots \otimes \mathbf{1} \otimes \underbrace{\frac{\sigma^{(-)}}{2} \sigma_z \otimes \sigma_z \otimes \sigma_z \otimes \dots}_k \otimes \underbrace{\frac{\sigma^{(+)}}{2}}_l \otimes \mathbf{1} \otimes \dots \otimes \mathbf{1} \quad (\text{C.5})$$

while

$$\hat{c}_l \hat{c}^k = \mathbf{1} \otimes \mathbf{1} \otimes \dots \otimes \mathbf{1} \otimes \underbrace{\sigma_z \frac{\sigma^{(-)}}{2}}_k \otimes \sigma_z \otimes \sigma_z \otimes \dots \otimes \underbrace{\frac{\sigma^{(+)}}{2}}_l \otimes \mathbf{1} \otimes \dots \otimes \mathbf{1}. \quad (\text{C.6})$$

Therefore from $\left[\sigma_z, \frac{\sigma^{(-)}}{2} \right]_+ = 0$ we get that $[\hat{c}^k, \hat{c}_l]_+ = 0$. If $k > l$ we have

$$\hat{c}^k \hat{c}_l = \mathbf{1} \otimes \mathbf{1} \otimes \dots \otimes \mathbf{1} \otimes \underbrace{\sigma_z \frac{\sigma^{(+)}}{2}}_l \otimes \sigma_z \otimes \sigma_z \otimes \dots \otimes \underbrace{\frac{\sigma^{(-)}}{2}}_k \otimes \mathbf{1} \otimes \dots \otimes \mathbf{1} \quad (\text{C.7})$$

and

$$\hat{c}_l \hat{c}^k = \mathbf{1} \otimes \mathbf{1} \otimes \dots \otimes \mathbf{1} \otimes \underbrace{\frac{\sigma^{(+)}}{2} \sigma_z \otimes \sigma_z \otimes \sigma_z \otimes \dots}_l \otimes \underbrace{\frac{\sigma^{(-)}}{2}}_k \otimes \mathbf{1} \otimes \dots \otimes \mathbf{1}. \quad (\text{C.8})$$

So from $\left[\sigma_z, \frac{\sigma^{(+)}}{2} \right]_+ = 0$ we have that $[\hat{c}^k, \hat{c}_l]_+ = 0$. Finally if we take the same index $k = l$ we obtain

$$\begin{aligned} \hat{c}^k \hat{c}_k &= \mathbf{1} \otimes \mathbf{1} \otimes \dots \otimes \mathbf{1} \otimes \underbrace{\frac{\sigma^{(-)}}{2} \frac{\sigma^{(+)}}{2}}_k \otimes \mathbf{1} \otimes \dots \otimes \mathbf{1}, \\ \hat{c}_k \hat{c}^k &= \mathbf{1} \otimes \mathbf{1} \otimes \dots \otimes \mathbf{1} \otimes \underbrace{\frac{\sigma^{(+)}}{2} \frac{\sigma^{(-)}}{2}}_k \otimes \mathbf{1} \otimes \dots \otimes \mathbf{1} \end{aligned} \quad (\text{C.9})$$

from which we can derive

$$\begin{aligned}
[\widehat{c}^k, \widehat{c}_k]_+ &= \mathbf{1} \otimes \mathbf{1} \otimes \dots \otimes \mathbf{1} \otimes \underbrace{\left[\frac{\sigma^{(-)}}{2}, \frac{\sigma^{(+)}}{2} \right]_+}_k \otimes \mathbf{1} \otimes \dots \otimes \mathbf{1} \\
&= \mathbf{1}^{\otimes 2n}
\end{aligned} \tag{C.10}$$

where we have used the fact that: $\left[\frac{\sigma^{(-)}}{2}, \frac{\sigma^{(+)}}{2} \right]_+ = \mathbf{1}$. So we can conclude by saying that the objects built in (5.3) out of the Pauli matrices satisfy the Grassmann algebra.

D Appendix

Calculational Details

In this Appendix we will give the details of how to construct the representation (5.9) of the Grassmannian variables. An empiric rule which emerges from (5.5) is the one we shall now illustrate. Let us consider, in the case $n = 1$, the reference string $c^p c^q$ and compare it with the four objects $(1, c^p, c^q, c^p c^q)$. For example “1” has two Grassmannian variables *lacking* with respect to the reference string, c^p instead has the first Grassmannian variable *present* while the second one is *lacking*. The empiric rule we shall use is that the *lacking* of a Grassmannian variable will be indicated by the vector $\begin{pmatrix} 1 \\ 0 \end{pmatrix}$ while the *presence* of it by $\begin{pmatrix} 0 \\ 1 \end{pmatrix}$. So this rule gives

$$1 \Leftrightarrow \begin{pmatrix} 1 \\ 0 \end{pmatrix} \otimes \begin{pmatrix} 1 \\ 0 \end{pmatrix}. \tag{D.1}$$

The c^p has the first *present* and the second *lacking* so

$$c^p \Leftrightarrow \begin{pmatrix} 0 \\ 1 \end{pmatrix} \otimes \begin{pmatrix} 1 \\ 0 \end{pmatrix} \tag{D.2}$$

and so on. If we now apply the same rule for 2 degrees of freedom ($n = 2$) considering $c^{p_1} c^{q_1} c^{p_2} c^{q_2}$ as reference string we obtain exactly Eq. (5.9). In fact for example c^{q_2} has the first three variables absent with respect to the reference string and only the last present, so its representation will be given by

$$c^{q_2} \Leftrightarrow \begin{pmatrix} 1 \\ 0 \end{pmatrix} \otimes \begin{pmatrix} 1 \\ 0 \end{pmatrix} \otimes \begin{pmatrix} 1 \\ 0 \end{pmatrix} \otimes \begin{pmatrix} 0 \\ 1 \end{pmatrix}. \tag{D.3}$$

References

- [1] E. Gozzi, Phys. Lett. B **201**, 525 (1988), (MPI-PAE/Pth 47/86);
E. Gozzi, M. Reuter and W.D. Thacker, Phys. Rev. D **40**, 3363 (1989);
E. Gozzi and M. Reuter, Phys. Lett. B **233**, 383 (1989).

- [2] B. O. Koopman, Proc. Natl. Acad. Sci. U.S.A. **17**, 315 (1931).
- [3] J. von Neumann, Ann. Math. **33**, 587 (1932); *ibid.* **33**, 789 (1932).
- [4] E. Gozzi and M. Reuter, Chaos, Solitons and Fractals, **4**, 117 (1994).
- [5] E. Gozzi and D. Mauro, Jour. Math. Phys. **41**, 1916 (2000).
- [6] S. Coleman, "*Aspects of Symmetry*", Cambridge, University Press, 1985.
- [7] E. Gozzi and M. Regini, Phys. Rev. D **62**, 067702 (2000).
- [8] E. Deotto, E. Gozzi and D. Mauro, Hilbert Space Structure in Classical Mechanics: (I) and (II), quant-ph/0208046 and quant-ph/0208047.
- [9] E. Gozzi and E. Deotto, Int. J. Mod. Phys. A **16**, 2709 (2001).
- [10] M. Henneaux and C. Teitelboim, "*Quantization of Gauge Systems*", Princeton, University Press, 1992.
- [11] E. Witten, Nucl. Phys. B **188**, 513 (1981).
- [12] P. Salomonson and J.W. van Holten, Nucl. Phys. B **196**, 509 (1982).
- [13] T. Eguchi, P.B. Gilkey and A.J. Hanson, Phys. Rep. **66**, 213 (1980).
- [14] M.V. Ioffe, Private Communication.
- [15] A.A. Andrianov, N.V. Borisov and M.V. Ioffe, Teor. Mat. Fiz., **61**, 183 (1984);
A.A. Andrianov, N.V. Borisov, M.V. Ioffe and M.I. Éides, Teor. Mat. Fiz., **61**, 17 (1984).
- [16] D. Mauro, Int. J. Mod. Phys. A. **17**, 1301 (2002).
- [17] M. de Crombrugghe and V. Rittenberg, Ann. Phys. **151**, 99 (1983).
- [18] R. Abraham and J.E. Marsden, "*Foundations of Mechanics*", New York, Benjamin, 1978.
- [19] V.I. Arnold and A. Avez, "*Ergodic Problems of Classical Mechanics*", New York, Benjamin, 1968.
- [20] M.A. Nielsen and I.L. Chuang, "*Quantum Computation and Quantum Information*", Cambridge, University Press, 2000.