

# Educational studies of cosmic rays with telescope of Geiger-Müller counters

**T. Wibig, K. Kołodziejczak, R. Pierzyński, R. Sobczak**

A. Soltan Institute for Nuclear Studies, Cosmic Ray Laboratory, POB-447 90-950  
Łódź-1, Poland.

E-mail: [wibig@zpk.u.lodz.pl](mailto:wibig@zpk.u.lodz.pl)

**Abstract.** A group of high school students (XII Liceum) in the framework of the Roland Maze Project has built a compact telescope of three Geiger-Müller counters. The connection between the telescope and PC computer was also created and programed by students involved in the Project. This has allowed students to use their equipment to perform serious scientific measurements concerning the single cosmic ray muon flux at ground level and below. These measurements were then analyzed with the programs based on the 'nowadays' knowledge on statistics. An overview of the apparatus, methods and results were presented at several students conferences and recently won the first prize in a national competition of high school students scientific work. The telescope itself, in spite of its 'scientific' purposes, is built in such a way that it is hung on a wall in a school physics lab and counts muons continuously. This can help to raise the interest for studying physics among others. At present a few (3) groups of young participants of the Roland Maze Project have already built their own telescopes for their schools and some others are working on it. This work is a perfect example of what can be done by young people when respective opportunities are created by more experienced researchers and a little help and advice is given.

## 1. Introduction

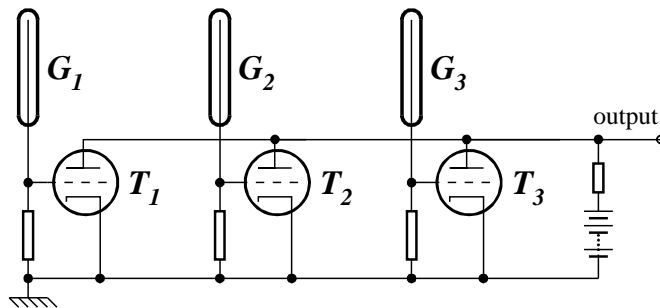
### 1.1. Cosmic rays

Cosmic Rays (CR) were discovered in 1912 by Victor Hess (Nobel Price in 1936). In his balloon flights he found an increase of the discharge rate of an electroscope with the height of the balloon. The nature of CR remained a mystery for quite a long time. At present it is known that the radiation which we see deep in the atmosphere is not the primary cosmic rays which enter from space. The former consists mostly of stable nuclei (including single protons), and also in small fraction electron and photons - the only elementary particles which could survive the journey from CR sources to the Earth (one can also mention neutrinos, but, interacting only weakly, they can hardly be seen). Protons (and neutrons trapped as nucleons in CR nuclei) interacting kilometers above ground with nuclei of the atmosphere create, if the energy is high enough, short lived elementary particles - mostly pions. These light mesons were discovered in the cosmic radiation by C.F. Powell at Bristol and P.M.S. Blackett at Manchester in 1947. Blackett was awarded the Nobel Physics Prize in 1948 and Powell in 1950.

Neutral pions decay almost immediately to high energy gamma quanta (photons). High energy photons colliding with atomic nuclei can create a pair of electrons and positrons. The positron is the antiparticle of the electron and was predicted theoretically in 1928 by P.A.M. Dirac (Nobel price in 1933). It was discovered in cosmic rays by C.D. Anderson in 1932 – Nobel prize 1936 (shared with V. Hess). Electrons and positrons interacting with charged nuclei produced so-called brehmstrahlung photons, which in turn can create pairs etc. Sometimes, when the energy of the primary CR particle is very high, electrons, positrons and photons in the form of a cascade can reach ground level.

Charged pions can further interact strongly, creating several generations of secondary particles, but sometimes, especially when the density of nuclei to interact with is small (very high in the atmosphere), they decay. One of the products of pion decay is the muon. The muon is the lepton of the second generation in the Standard Model, and as such it behaves exactly like an electron. The only difference is its mass. The muon is more massive than the electron ( $\sim 200$  times). The muon was discovered in 1937 in cosmic rays. A number of famous scientists had to work hard, before eventually the true nature of the muon was established and I.I. Rabi could conclude the muon discovery with his famous "Who ordered that?". C.D. Anderson and S.H. Neddermayer (1937), J.C. Street and E.C. Stevenson (1937), F. Rasetti, B. Rossi and N. Nerson, Chaminade, A. Freon and R. Maze (1939), S. Tomonaga and G. Araki (1940) all worked on the problem.

The "Heavy electron" – the muon - interacts electromagnetically, and because it is more massive, it is harder to disturb its motion. When it is moving very fast, it is much harder to force it to emit brehmstrahlung photons. A high energy muon can easily travel not only the whole atmosphere, from the point of origin to the Earth's surface, but also concrete walls and floors. This property of the muon makes it the most



**Figure 1.** Three-fold coincidence circuit by B. Rossi.

abundant particle in the cosmic ray flux at ground level. About 200 CR particles cross each square meter area every second and about 3/4 of them are muons.

The electroscopes used in the pioneering years of cosmic ray physics were soon replaced by more sophisticated equipment: cloud chambers and Geiger-Müller counters. The first allows one to photograph tracks left by electrically charged particles in overcooled clouds. The second gives an electric signal to any kind of electronic register. The simplicity of the Geiger-Müller (GM) counter makes it very useful not only for scientific purposes. The GM counters have been extensively used by astronauts to explore other planets in early s.f. movies, and even by James Bond in his first movie appearance in "Doctor No" [1].

The GM counters used by B. Rossi around 1930 worked in a coincidence mode made by three electronic valves [2]. This significant electronic achievement of its times is shown in Fig. 1.

## 1.2. The Roland Maze Project

The mentioned cascade of elementary particles (photons, electrons, positrons, muons, pions and other hadrons, e.g. kaons discovered in 1947 by G. D. Rochester and C. C. Butler in cloud chamber photographs of cosmic ray-induced events) reach the ground level in the form of a thin (few meters) disc of a radius of hundreds of meters. Such a phenomenon is called an Extensive Air Shower. Extensive Air Showers (EAS) were seen for the first time by Roland Maze with an apparatus built by him on the roof of the École Normale Supérieure in Paris. It consisted of three sets of GM counters (each of area about  $10 \times 10 \text{ cm}^2$ ) working in different coincidence modes. In 1938, R. Maze and P. Auger announced the discovery of huge cascades of charged particles (EAS) [3]. The CR particles initiating such phenomena have to have enormous energies, millions and even billions times greater than 'usual' resulting from radioactive decays and other known-in- those days nuclear reactions.

Cosmic ray studies have been recently intensively developed, especially in the region of the upper limit of the energy spectrum, where several events involving cosmic ray

particles with energy exceeding  $10^{20}$  eV ( $\approx 50$  J) have been observed. Their existence is a very serious physical problem. It was number 4 on the additional problem list published in 2005 in the Science magazine [4]: *Where do ultrahigh-energy cosmic rays come from? Above a certain energy, cosmic rays don't travel very far before being destroyed. So why are cosmic-ray hunters spotting such rays with no obvious source within our galaxy?*

The experimental setup for recording such events usually consists of a number of relatively simple particle detectors spread over a large area. Nowadays, the single detector is a scintillation (or Cerenkov) counter connected to the electronic system with a coincidence trigger and converters of time and amplitude of a signals to digital codes. The essence of large area experiments is a method of synchronization and communication between detectors and a system of collecting and storing the data.

This is the point where high school education can meet high science. It is hard to imagine another subject of such great importance which can be studied jointly by scientists and students. It is not surprising that at present there are related projects under constructions in the USA [5] and in Europe[6].

One of them is the Roland Maze Project[7]. The proposed EAS detection stations would be placed in the buildings of high schools.

The detection system of one station (school) allows one to conduct (in parallel with the main scientific object of the project: studies of extremely high energy cosmic rays) independent observations and studies for each group participating in the project. It covers the whole, wide region of cosmic ray particle energies, giving the ability to study geophysics and atmospheric phenomena as well as monitoring the Sun's activity and space weather from one side, up to the properties of typical EAS on the other.

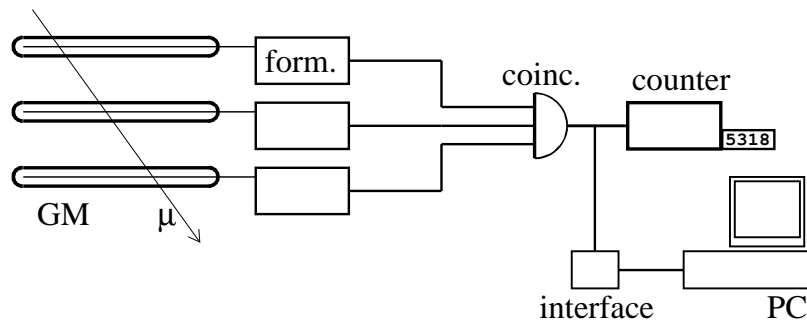
We have gathered many students interested in making "big physics". The constructions of the project detectors and all the systems is going on, but in spite of that in order not to lose the initial impact we have proposed to the students many other activities.

## 2. Telescope of Geiger-Müller counters

One of the many byproducts of the Roland Maze Project is the idea of making small cosmic ray detectors/counters which can be hung on the school wall showing to everybody that cosmic rays are everywhere and raising the interest in science in general.

The counters are arranged in telescopes of three Geiger-Müller counters working in coincidence. Such a setup reminds us of the very first array of Maze.

The telescopes are to be built entirely by groups of students from each school. The only parts which can't be made by them are GM counters, which are made in the A. Sołtan Institute for Nuclear Studies in Łódź. The counters are of glass with external cathodes. This kind of GM counters is called the Maze type[8]. The electronic schemes of the particular circuits are also to some extent created by the students, especially if there is one in the group with some electronic experience. If there is none, a general



**Figure 2.** The schema of the telescope of GM counters.

scheme is given and the particular solutions are then found empirically. This leads to breaking some electronic components, but eventually it leads to great satisfaction which is one of the more important factors when doing science and what is hard to explain to the students in any other way.

### 2.1. A Particular solution

The telescope from which results we want to present in this paper was made by students of the XII Liceum in Łódź.

A schematic view of the telescope is shown in Fig. 2.

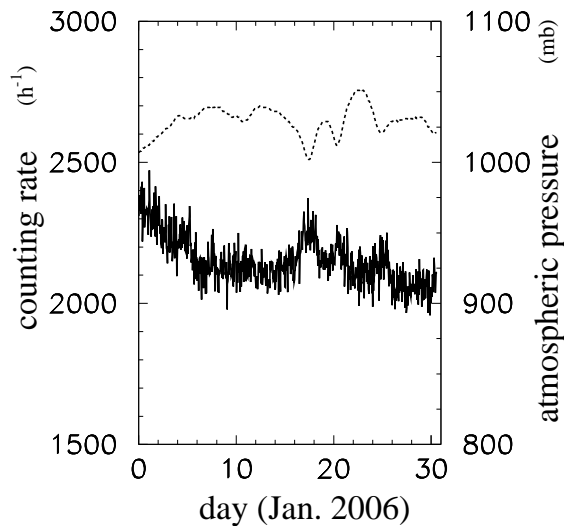
The high voltage of about 1500 V needed to supply the GM tubes is created by a modified TV HV transformer with a primary winding connected to a simple pulse generator of 5-12 V and secondary to the Villard cascade. The coincidence was realized with standard TTL monostables with duration time of about 2  $\mu$ s. The 4-digits 7 segment display of about 1 inch height was used to show the number of counts.

The telescope was equipped with a simple interface built on a base of the 555 circuit used to connect it to the PC class computer. The interface was originally programed under DOS in BASIC. The computer is able to continuously register telescope counts and to write them successively on the computer disk.

## 3. Results

### 3.1. Stability

In Fig. 3 we show the number of counts registered every hour since the beginning of 2006 to the end of January. As is seen there are no abrupt (unexpected, as will be discussed later) changes, and this causes us to state that the telescope is working properly and rather stable.



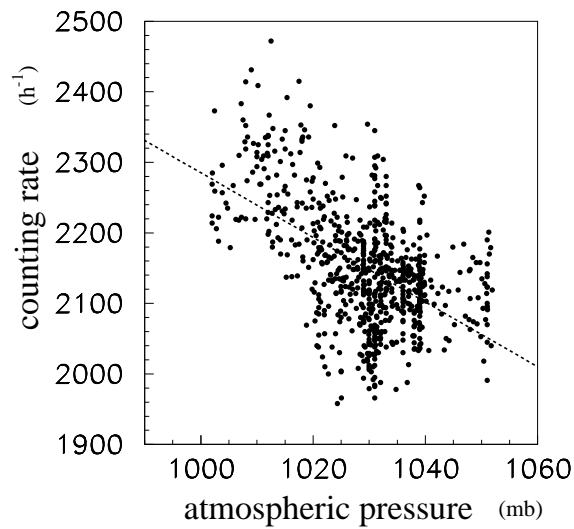
**Figure 3.** The telescope counting ratio (solid line and left scale) and atmospheric pressure (dashed line and right scale) registered in January 2006.

### 3.2. Barometric coefficient

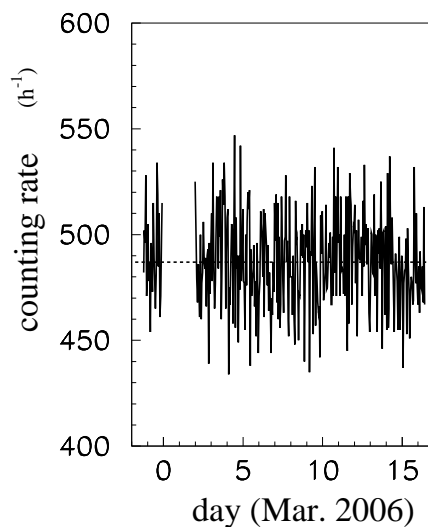
The single muon flux changes with time, as has been known for a long time. The most pronounced modulation relates to the atmospheric pressure. Low energy ( $\sim$ GeV) muons originate in the upper levels of the atmosphere and have to traverse almost the whole atmosphere (hundreds grams per  $\text{cm}^2$  of air). The amount of the air above us changes continuously. These changes are the subject of interest to billions of people around the world. They are presented several times every day in TV weather reports on most of the TV channels as values of the atmospheric pressure. The pressure of 1000 mb informs us that above every square centimeter there is about 1 kg of air.

If the atmospheric layer to traverse is thicker then the flux of muons is diminished, due mainly to energy losses. Thus an anticorrelation of telescope counting rate and atmospheric pressure is expected. The values of the pressure from the local meteorological station Lublinek were taken from the respective web page and they are plotted in Fig. 3. Fortunately, according the very rapid and substantial changes of the pressure in January, the anticorrelation is clearly seen by the naked eye.

To study it in detail in Fig. 4 we show the scatter plot of telescope counting rate vs. atmospheric pressure. The dashed line plotted there is the best linear fit. To relate our result with the one known from literature we can express it as a relative change of the counting rate with respect to the increase of the pressure of 1 mb. Such a value is called *barometric coefficient*. Our result is  $-0.21 \pm 0.04\%/\text{mb}$ .



**Figure 4.** Scattered plot telescope counting rate vs. atmospheric pressure registered in January 2005. Each point represents one hour counting results.



**Figure 5.** Telescope counting rate underground.

### 3.3. Muon absorption in the ground

The Łódź EAS array of the A. Sołtan Institute for Nuclear Studies has its detection point in the underground laboratory placed 15 m below ground level. At present it is used as the site of the prototype of the Łódź "space weather station". The students' GM telescope was placed there and it measured the single muon flux for a few days. The results are shown in Fig. 5

Calculations show that muons which are able to reach the underground lab have to

have energy greater than about 5 GeV. The measured decrease of the muon flux agrees with the value expected from the known integral energy spectrum.

## 4. Discussion

### 4.1. The Main results

The telescope made by the high school students, operating for one month, produced data which allowed students to determine precisely the value of the barometric coefficient as  $-0.21 \pm 0.04\%/mb$ . This value is just what can be expected from the literature ( $-0.18$  to  $-0.20\%/mb$ .) confirming the principles of the methods and solutions used.

It is interesting to mention the work of an Italian group Ref.[9]. The general idea was similar - to study the barometric effect with the help of simple computerized apparatus based on one small GM counter. Comparison shows that the results obtained by them  $-0.051 \pm 0.015$  (or even  $-0.023 \pm 0.009$ , based on 3.5 months of running the experiment) is significantly different from ours. The simple explanation of this difference is that the coincidence of three GM counters used by us warrant that the counts we registered are definitively particles crossing areas of our GMs, and taking into account the thickness of the GM counter walls they have to be mostly cosmic ray generated muons. Without such a coincidence the single GM counter is measuring any kind of radiation which can penetrate the active GM counter volume. Only a fraction of it depends on atmospheric pressure.

The known flux of vertical muons given by PDG [10] gives the expected counting rate, and after simple geometrical integration we checked that it is consistent with our measured value (shown in Fig. 2).

### 4.2. Significant achievements

The value of the barometric coefficient itself, in spite of its correctness, is not the most important achievement of the present work. Several points have to be emphasized:

- students (K.K., R.P., and R.S.) designed the scientific instrument;
- students built it, checking, correcting and testing every part of it;
- students assembled all the parts together making the fully operational apparatus;
- students performed the measurements;
- students wrote the analysis programs and analyzed the data;
- students presented their achievements on several occasions (starting from a presentation given by them in a forum of their own class, presentation in Lodz high school competition on physics, presentation on "3<sup>rd</sup> Roland Maze Scientific Session", and recently in the competition of national scientific works for high school students organized by the Polish Academy of Science and INS, where they won The First Prize).



The role of more experienced scientists (e.g. T.W.) participating in the telescope work should also be expressed precisely to avoid any suspicions (as we noticed on a few occasions). First and obvious is to formulate the subject of investigation. Then the subject has to be introduced to the students in the way attractive enough to mobilize young people to get the job. Some help in electronics was of course needed. Specific questions concerning usage of elements to build up properly working circuits can be mostly answered with the help of the internet. Some personal help and assistance was necessary, of course, when testing built parts and assembling the telescope.

The construction process takes time, of course. For this particular telescope this time was approximately one year. Students worked on the telescope in their free time, mainly on Saturdays, when they spent their time without any collision with school duties. During this year students gathered not only abilities of making electronic devices, but in the meantime they improved their knowledge also of physics and of cosmic rays in particular. To achieve this the assistance of a more experience scientist was important, of course.

When the telescope was built, a series of measurements was performed. The idea of what to measure comes naturally. The test of stability is obvious. The experimental setup produced a number of files with huge (on the respective scale) amounts of data. The interface and registration program was created in such a way that each single registration was written on to the disk. The help of the scientist was then necessary to draw the attention of students to the smooth changes of the counting rate seen in Fig. 2. This was also a good occasion on which to study the foundations of statistics, e.g., the variation of the Poisson distributed random variable. The explanation of these changes as due to the barometric effect also had to be introduced to the students by T.W. Then, after a short lesson on statistics (straight line fitting,  $\chi^2$  methods, e.t.c.), the students wrote their first programs in C and ran them to get the result presented above.

#### *4.3. Further planned measurements*

The telescope can be used also to make other measurements among which the most obvious is to determine the zenith angle dependence of single cosmic ray muons. Studies of the temperature effect as well as searching for periodic muon flux variations, 27 days, one day, semidiurnal to name only the shortest) are possible subjects of further interesting studies. The attractive subject is to looking for a correlations of CR flux with other phenomena, to mention only the famous examples (?) in Janathan Swift's *Gulliver's Travels* (almost 300 years ago), and William Herschel's studies from very beginning of the XIX century ( about 200 years ago), and more recently (2003) studies on the influence of the cosmic ray intensity on the wheat price in medieval England [11]. The question if CR muons are correlated with average marks in school tests, can attract large numbers of students.

## 5. Conclusions

We have shown that cosmic rays are one of the subjects of contemporary physics which are very useful to raise the interest of science amongst students of high schools. The present work proves that they are able to construct the apparatus which may be used to give quite accurate data on cosmic rays at ground level. The value of the barometric coefficient can be obtained and other interesting studies can be performed. The analysis of the data gives a perfect possibility for students to be introduced to statistical methods at a level not available in standard courses.

The Geiger-Müller telescope hanging on a classroom wall and showing continuously the number of moun crossing it works well at increasing the horizons of mind not only of young people but of all who see it.

## References

- [1] <http://www.jamesbondmm.co.uk/q-branch/drno-gadgets.php>.
- [2] B. Rossi, *Cosmic Rays*, McGraw-Hill, New York, (1964).
- [3] P. Auger, R. Maze, T. Grivet-Meyer, *Comptes rendus*, **206**, 1721 (1938).
- [4] D. Kennedy and C. Norman, *Science* **309**, 78 (2005); <http://www.sciencemag.org/sciext/125th/#online>.
- [5] <http://csr.phys.ualberta.ca/~alta>,  
<http://www.phys.washington.edu/~walta>,  
<http://www.chicos.caltech.edu>,  
<http://physics.unl.edu>,  
<http://faculty.washington.edu/~wilkes/salta>,  
<http://www.phyast.pitt.edu/~jth/CosRayHS.html>,  
<http://www.hep.physics.neu.edu/scrod>,  
<http://www.phy.bnl.gov/~takai/MariachiWeb>.
- [6] <http://www.hisparc.nl>,  
<http://www.hisparc.nl/eurocosmics.php>,  
<http://hep.ph.liv.ac.uk/~green/cosmic/home.html>,  
<http://www.particle.kth.se/SEASA>.
- [7] J. Gawin *et al.*, *Acta Physica Polonica* **B33**, 349 (2002); <http://maze.u.lodz.pl>.
- [8] S. Michalak, B. Mowczan and A. Zawadzki, *Acta Phys. Pol.* **13**, 145 (1954).
- [9] B. Famoso, P. La Rocca and F. Riggi, *Phys. Educ.* **40**, 461 (2005).
- [10] S. Eidelman *et al.*, *Phys. Lett. B* 592, 1 (2004); (URL: <http://pdg.lbl.gov/>).
- [11] L.A. Pustilnik, L.I. Dorman, and G. Yom Din Proc. 28<sup>th</sup> Intl. Cosmic Ray Conf., Tsukuba, 4131 (2003).