

Abstract

A simple interfacing project with the 8085-microprocessor kits available in under graduate college labs has been discussed. The interface card to study the I-V characteristics of a p-n diode emphasizes how the microprocessor can be used to do experiments in physics. Also, since the whole project was done within Rs400/- it can easily be popularized.

A. Introduction

There is a Malayalam proverb, "the lazy fellow will ultimately have to lift the mountain". The scientist to save the trouble of doing routine experiments always wanted to develop a machine to do it for him, with the scientist free to analyze the collected data. Isn't this a symptom of a lazy fellow? Well these lazy fellows went on to develop the computer to achieve their rest. Rest assured "a lot of work". Apart from the joke, a computer is an important device in experiments, where the results pour in very very slowly or very rapidly. Consider, the difficulty of measuring the discharging of a capacitor in milli-seconds or in couple of hours. The microprocessor communicates in 1's and 0's, i.e. it is only capable of digital communication. However, the external or outside world as we see it, communicates in analog. Thus, the basic requirement for the microprocessor to communicate with the analog world is a device capable of converting digital signals to analog signal and visa versa. The Input part of the device takes analog signals and converts it digital signals, while Output part of the device receives digital signals from the microprocessor and sends out analog signals. Together they form what is called an I/O device or more popularly an interfacing card. Anyone with a basic understanding of digital electronics [1, 2] would immediately realize that the input part would require Analog-to-Digital Converter (ADC) while the output part would have a Digital-to-Analog Converter (DAC). In this article we describe how an ADC and DAC chip was used to develop a low cost 8085 microprocessor compatible interface card, which was then used to measure the I-V characteristics of a P-N diode.

B. Designing of the Interfacing Card

Analog to Digital Converter

The IC0804 ADC from National Semiconductors is a low cost chip. The cost is less then Rs 200/- in Delhi market. The cost is on the lower side since the 0804 is an single channel ADC. This implies only a single source of analog signal can be given to the ADC. Multi-channel ADC's are available in the market, however, the cost and programming complexity goes up.

The IC0804 converts analog signal to digital data by successive approximation method. In this method, a internal DAC keeps on comparing its output to the analog input. If the two voltage levels match, the DAC's input is the digital equivalent of the analog input. Figure 1 shows how to use/test an IC0804(2). An input analog signal varying between 0 to 5volts can be given at pin 6. The corresponding digital signal from 00_H to FF_H is collected from pin 11-18. Pin 11 gives the Most-Significant-Bit (MSB, D_7) while Pin 18 gives the Least-Significant-Bit (LSB, D_0). The converter requires a clock pulse at pin 4. It is generated using a built in clock by connecting a resistor and capacitor externally at pin 19 and 4. The time period of the clock pulse is given as

$$T = 1.1RC$$

For proper conversion the chip requires a control signal. The Start-Of-Conversion pulse (\overline{SOC}) tells the chip to keep on varying the internal DAC input and compare with input analog input. When the chip has completed and got the answer, informs the user by giving an End-Of-Conversion pulse (\overline{EOC}). The IC in fact, at pin 5 (\overline{EOC}) always gives 5volts, i.e. digital 1. When the conversion is finished, the signal goes low indicating completion. Care should be taken on selection of clock pulse (R & C), since the end of conversion signals generation is sensitive to the clock pulse (the value of R and C selected was $680K\Omega$ and $150pF$ respectively, giving $T = 115\mu s$). Further details of IC0804 can be downloaded from the National Semiconductor's web site.

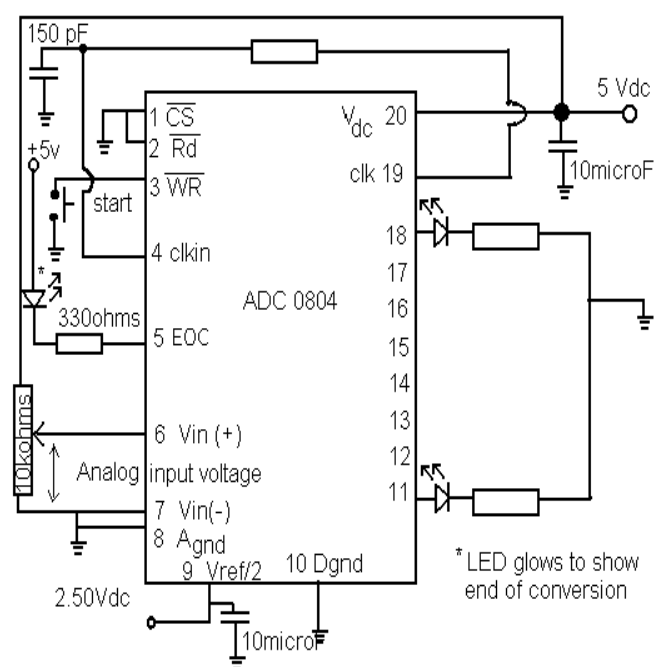


FIG. 1 Circuit using IC0804 for converting input analog voltage into corresponding digital signal.

Digital To Analog Converter

A DAC 0808 can be used to convert the digital input given to pins 5 to 12 of the chip. The analog output appears at pin 4, with the voltage level varying from zero to negative 5volts. An inverting amplifier is used to make the voltage level vary in the positive direction. The DAC0808 in itself is cheap, costing just over Rs 100/- in Delhi market. However, a simple resistive ladder digital to analog converter circuit [1] was used in this project. The circuit, with a non-inverting op-amp circuit was used (whose cost was just Rs 10/-). The DAC0808 would obviously be better in terms of accuracy. However, in a under-graduate lab, the resistive ladder circuit proved to be good enough.

C. The Interfacing Card

After the hardware, a program has to be developed. Along with generating the input for the DAC and collecting the output of the ADC, the program should generate the \overline{SOC} signal for the ADC. The program should also after sending the \overline{SOC} , continuously monitor for the signal. All this can be achieved using either the 8155 or 8255 peripheral present on the 8085 microprocessor trainer kit. We selected the 8255 peripheral for the present project. A introduction to the 8255 peripheral chip is beyond the scope of this article, and details of the same can be found in Goankar(3). To appreciate the programming part of this project would require the reader to be familiar with 8255 peripheral, as also, the 8085 microprocessor.

The automation of measuring the I-V characteristics of a diode is achieved by making the DAC generate a ramp signal. In simple words the output of the DAC would be a linearly increasing voltage with time, the voltage level going from 0v to 5v. This is done by the microprocessor counting from 00_H to FF_H. With each increasing count, the DAC's output voltage increases by 19.6mV (5/255volts). This voltage is given as an input signal to the circuit shown below.

The voltage across the 1K Ω resistance is converted to digital values and is collected and stored by the microprocessor. So the program increments the count and sends the digital data to the DAC which is used as the input voltage for the diode circuit. The voltage across the resistance is converted to digital signal and stored in a memory location of the microprocessor. This goes on in a loop to completely obtain the diodes I-V characteristics. Table I lists the required program to achieve the above objective.

Before relying on the results of the device, it is necessary to see the linearity of the device. This is done by giving the output of the DAC as input of the ADC. The program remains the same. Figure 4 shows the device to be appreciably

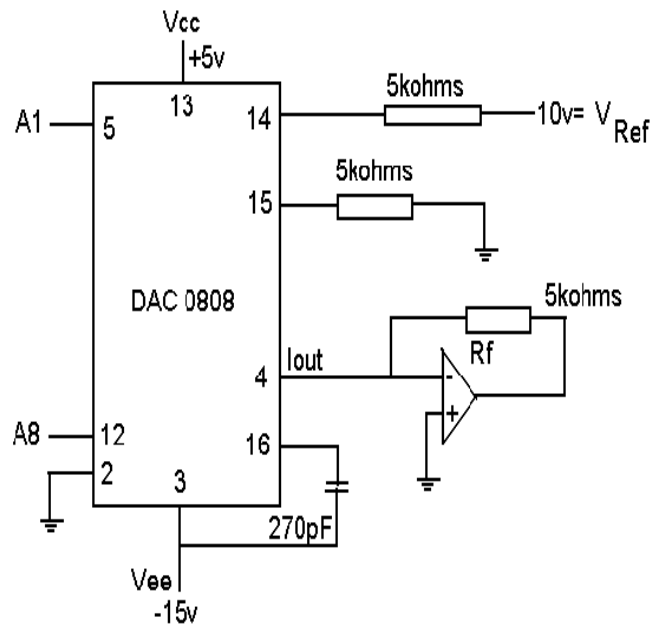


FIG. 2 A DAC0808 circuit with op-amp amplifier used to invert the 0 to -5v output.

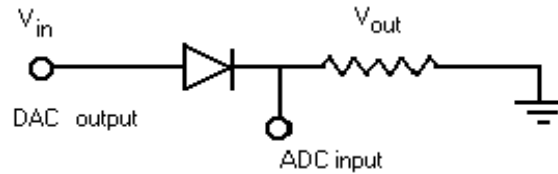


FIG. 3 Circuit for measuring IV characteristics using interface card.

linear. The listed program above saves the input to the DAC and the output of the ADC. As seen from figure 3, the voltage output of the ADC is a measure of the circuit's current. To plot the I-V characteristics, the ADC's results are plotted on the 'y' axis (V_r , the voltage drop across the $1K\Omega$ resistor, which is proportional to the current) while this data has to be subtracted from the DAC's output for voltage across the diode ('x'-axis). Figure 5 shows the I-V characteristics of a 1N407 diode measured with the designed interface card. The knee voltage is evident, just more than 0.4v.

Obviously, the prospect of copying 512 ($= 2 \times 256$) data from the microprocessors memory might put of the reader. However, with a small additional program and by connecting the DAC to an oscilloscope, the data can be read and displayed on the CRT.

This project was done in a graduate college laboratory, with a small budget of Rs 400/-. A reader who has knowledge of computers and of computer programming (especially of C programming) would benefit from Probhira Goyal's article(4), if he or she were interested for developing an interfacing card for the computer.

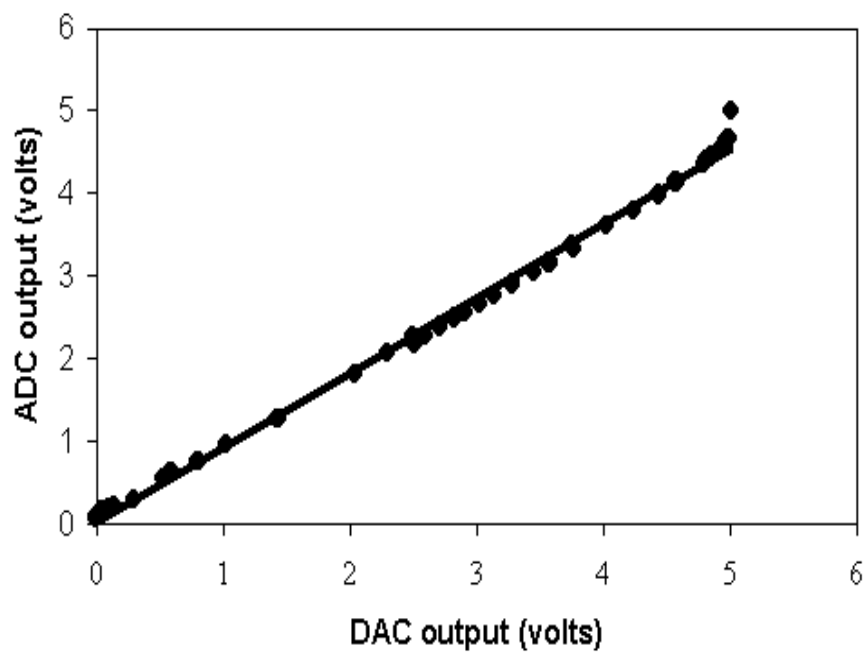


FIG. 4 The interface card was found to be perfectly linear, i.e. the output of the ADC is equal to the input given to the DAC.

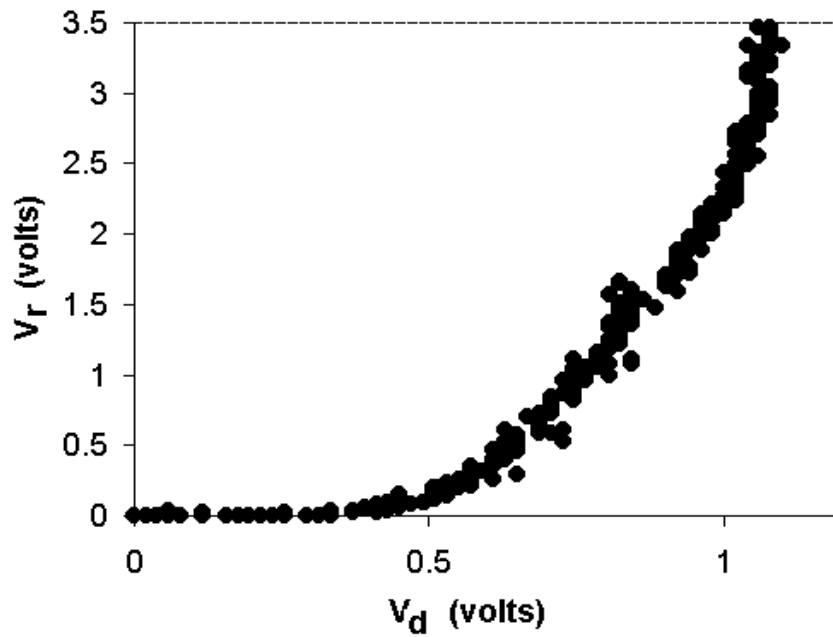


FIG. 5 The I-V characteristics of a p-n diode as measured by the designed interface card.

References

- [1] Malvino and Leech, "Digital Electronics".
- [2] Terry L. M. Bartelt, "Digital Principles".
- [3] Ramesh S. Gaonkar, "Microprocessor Architecture, Programming and applications with the 8085/8080A".
- [4] Probhir Goyal, "Electronics for You" (Oct, 1996), pg 87.

Memory address	Hex Code	Instruction	Comments
C000	26	MVI H	Initialize counter H to 0
C001	00	00 _H	
C002	06	MVI B	Initialize counter B to 0
C003	00	00 _H	
C004	3E	MVI A	"Load control word in control
C005	98	98 _H	Register"
C006	D3	OUT	
C007	13	13 _H	
C008	78	MOV A, B	
C009	D3	OUT	
C00A	11	11 _H	
C00B	11	LXI D	"Setup DE pair as pointer
C00C	00	00	for destination memory C100"
C00D	C1	C1	
C00E	7B	MOV A, E	Move data of E into A
C00F	84	ADD H	Add data in H to A
C010	5F	MOV E, A	Move data of A into E
C011	78	MOV A, B	Move into A data of B
C012	12	STAX D	Store data in pointed memory
C013	3E	MVI A	"Load BSR mode control
C014	00	00 _H	Word in control register
C015	D3	OUT	To reset PC0"
C016	13	13 _H	
C017	0E	MVI C	Wait in delay loop
C018	15	15 _H	
C019	0D	DCR C	
C01A	C2	JNZ	
C01B	19	19	
C01C	C0	C0	
C01D	3E	MVI A	"Load BSR mode control
C01E	01	01 _H	word in control register to
C01F	D3	OUT	PC0"
C020	13	13 _H	
C021	DB	IN	Read port C
C022	12	12 _H	
C023	17	RAL	Move PC7 into carry flag
C024	DA	JC	Wait in loop till EOC is low
C025	21	21	
C026	C0	CO	
C027	DB	IN	"Read Port A (ADC output)
C028	10	10 _H	Into accumulator"
C029	4F	MOV C, A	Move data from A into C
C02A	11	LXI D	"Setup DE pair as a pointer
C02B	00	00	For destination memory"
C02C	C2	C2	
C02D	7B	MOV A, E	Move data in E into A
C02E	84	ADD H	Add the data in H into A
C02F	5F	MOV E, A	Move data in A into E
C030	79	MOV A, C	Move data in C into A

Memory address	Hex Code	Instruction	Comments
C031	12	STAX D	Store ADC o/p into memory
C032	04	INR B	Increment register B
C033	24	INR H	Increment register H
C034	0E	MVI C	Wait in delay loop
C035	FF	FF _H	
C036	0D	DCR C	
C037	C2	JNZ	
C038	36	36	
C039	C0	C0	
C03A	78	MOV A, B	Move data in B into A
C03B	FE	CPI	Compare data in A with 00 _H
C03C	00	00 _H	
C03D	C2	JNZ	"If data in B is not 0 go back
C03E	04	04	In loop"
C03F	C0	C0	
C040	76	HLT	End Of Program