

Power and power-logarithmic expansions for travelling-wave solutions of the Burgers-Huxley equation.

Olga Yu. Efimova Nikolai A. Kudryashov
Mikhail A. Chmykhov

Abstract

The Burgers-Huxley equation is studied. All power and power-logarithmic expansions for travelling-wave solutions of this equation are presented. Using the power expansions, some exact solutions of this equation are found.

1 Introduction.

The Burgers-Huxley equation takes the form

$$u_t + \alpha uu_x = Du_{xx} + \beta u + \gamma u^2 - \delta u^3, \quad D > 0, \delta > 0 \quad (1.1)$$

It is used for description of non-linear wave processes in physics, ecology and economics [1–5]. The condition of positiveness for coefficients D and δ follows from the physical meanings of the problems.

The Burgers-Huxley equation is not the exactly solvable one. However some exact solutions can be obtained [6–8], if we use the singular manifold method [9–13].

Using travelling waves $u(x, t) = w(z)$, $z = x - C_0 t$ in equation (1.1), we have

$$Dw_{zz} - \alpha ww_z + C_0 w_z + \beta w + \gamma w^2 - \delta w^3 = 0 \quad (1.2)$$

Taking $z = z' \sqrt{2D/\delta}$ into consideration, we obtain

$$w_{zz} - \alpha ww_z + C_0 w_z + \beta w + \gamma w^2 - 2w^3 = 0 \quad (1.3)$$

where coefficients α , β , γ and C_0 are constants. Primes in (1.3) are omitted.

In the general case equation (1.3) does not pass the Painlevé test, so it is important to find all the asymptotic forms and power expansions for the solutions of this equation. For that we use the power geometry methods [14–17].

The outline of this paper is as follows. In section 2 we consider the general properties of equation (1.3). In section 3 the power expansions, corresponding to the apexes of the carrier of equation (1.3), are found. Sections 4-9 are devoted to the power and power-logarithmic expansions, corresponding to the edges of the carrier of equation (1.3). In section 10 the examples of exact solutions are given.

2 The carrier of equation (1.3).

The carrier of equation (1.3) consists of points $Q_1 = (-2, 1)$, $Q_2 = (0, 3)$, $Q_3 = (0, 1)$, $Q_4 = (-1, 2)$, $Q_5 = (0, 2)$, $Q_6 = (-1, 1)$. However some of these points can be absent, if coefficients of equation (1.3), corresponding to them, are equal to zero.

If $\beta \neq 0$, the convex hull of the carrier of equation (1.3) is the triangle with apexes Q_1 , Q_2 , Q_3 , presented at fig. 1a. The normal cones for apexes and edges of the carrier of equation (1.3) are given on fig. 1b.

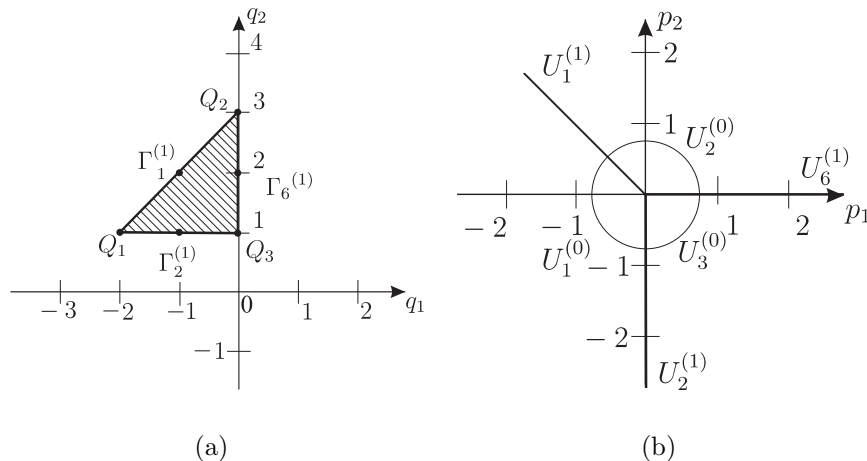


Figure 1: The carrier (a) and the normal cones (b) of equation (1.3) at $\beta \neq 0$

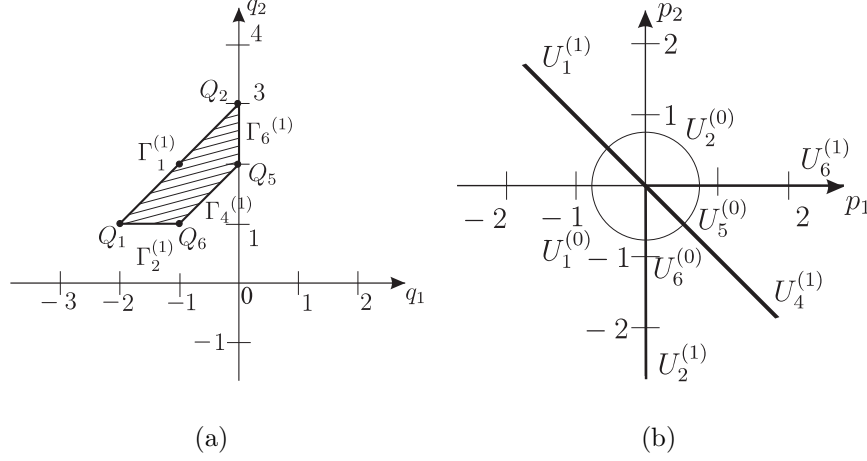


Figure 2: The carrier (a) and the normal cones (b) of equation (1.3) at $\beta = 0$, $C_0 \neq 0$, $\gamma \neq 0$

In the case $\beta = 0$, $\gamma \neq 0$ and $C_0 \neq 0$, the carrier of equation (1.3) is the trapezium, presented at fig. 2a.

If $\beta = 0$ and one of the coefficients γ or C_0 is equal to zero, then the carrier and the normal cones of equation (1.3) are given on fig. 3 and fig. 4.

3 Expansions, corresponding to the apexes of the carrier of equation (1.3).

The truncated equation, corresponding to apex Q_1 of the carrier of equation (1.3), takes the form

$$w_{zz} = 0 \tag{3.1}$$

The characteristic polynomial for this equation is

$$\chi(r) = r(1 - r) \tag{3.2}$$

It has roots $r = 0$ and $r = 1$. Using the condition $\omega(1, r) \in U_1^{(0)}$, we have

$$\begin{aligned} r = 0 &\Rightarrow \omega = -1, z \rightarrow 0 \\ r = 1 &\Rightarrow \omega = -1, z \rightarrow 0 \end{aligned}$$

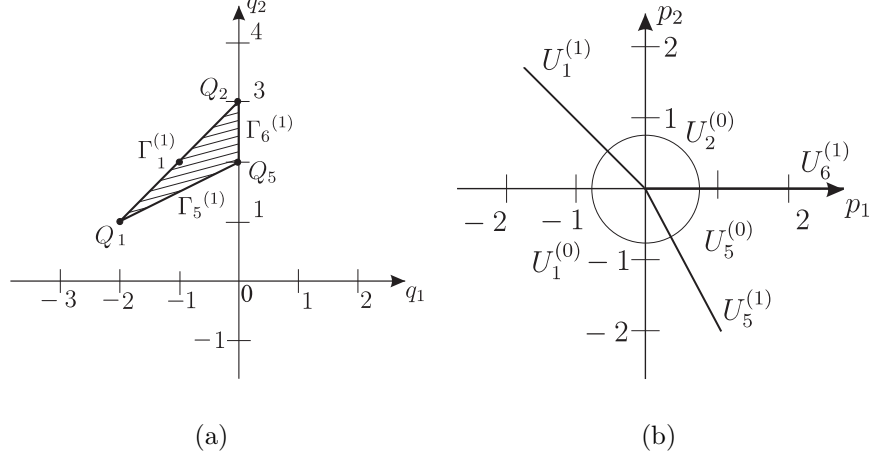


Figure 3: The carrier (a) and the normal cones (b) of equation (1.3) at $\beta = C_0 = 0$ and $\gamma \neq 0$

For truncated equation (3.1) we obtain

$$\mathcal{L}(z) = \frac{d^2}{dz^2} \Rightarrow \nu(k) = k(k-1)$$

The proper numbers of the truncated equation (3.1) are $k = 0$ and $k = 1$. The cone of the problem is $\mathcal{K} = (k : k > r)$. So we have no critical numbers for $r = 1$ and one critical number for $k = 1$.

The expansion of solutions, corresponding to the truncated solution at $r = 0$, takes the form

$$w(z) = c_0 + c_1 z + \sum_{s=2}^{\infty} c_s z^s \quad (3.3)$$

where c_0, c_1 are the arbitrary constants, other coefficients can be sequentially calculated. Taking into account three terms we obtain

$$w(z) = c_0 + c_1 z + \frac{1}{2} (\alpha c_0 c_1 - \beta c_0 - \gamma c_0^2 - C_0 c_1 + 2c_0^3) z^2 + \dots \quad (3.4)$$

The expansion of solutions at $r = 1$ is the special case of expansion (3.3) at $r = 0$ with $c_0 = 0$. Taking into account three terms we have the expansion

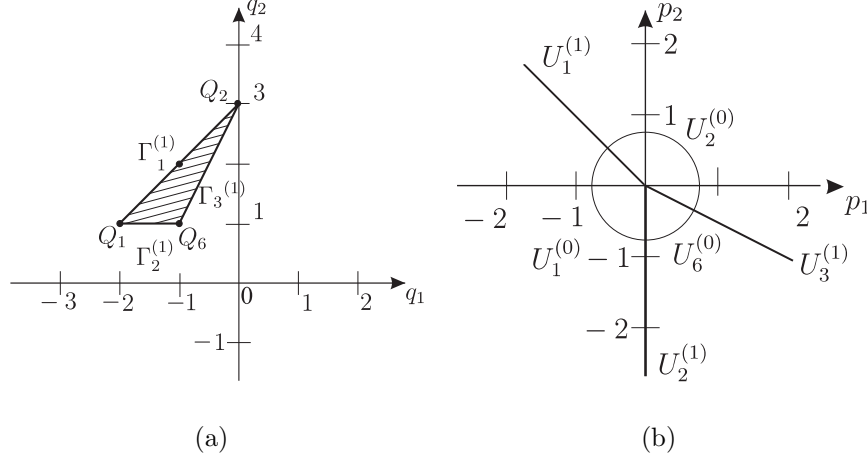


Figure 4: The carrier (a) and the normal cones (b) of equation (1.3) at $\beta = \gamma = 0$ and $C_0 \neq 0$

for this case

$$w(z) = c_1 z - \frac{1}{2} C_0 c_1 z^2 + \frac{1}{6} c_1 (-\beta + c_1 \alpha + C_0^2) z^3 + \dots \quad (3.5)$$

Depending on the parameters of equation (1.3), its carrier has two or three more apexes.

Consider the truncated equation, corresponding to apex $Q_6 = (-1, 0)$. This apex exists if $\beta = 0$ and $C_0 \neq 0$ (fig. 2, 4)

$$w_z = 0 \quad (3.6)$$

Here $r = 0$. Condition $\omega(1, r) \in U_6^{(0)}$ does not hold, so this apex does not give new expansions.

The other truncated equations, corresponding to the apexes of the carrier of equation (1.3), are the algebraic one and, therefore, also have only trivial solutions.

4 Expansions, corresponding to edge $\Gamma_1^{(1)}$.

The truncated equation, corresponding to edge $\Gamma_1^{(1)}$, takes the form

$$w_{zz} - \alpha w w_z - 2w^3 = 0 \quad (4.1)$$

The outer normal for this edge $N_1 = (-1, 1)$, so we have the normal cone

$$U_1^{(1)} = \{\lambda(-1, 1), \lambda > 0\}$$

Using the condition $\omega(1, r) \in U_1^{(1)}$, we obtain $r = -1, \omega = -1 \Rightarrow z \rightarrow 0$

The solution of truncated equation (4.1) can be described by formula

$$w = \frac{c_{-1}}{z} \tag{4.2}$$

where

$$2c_{-1}^2 - \alpha c_{-1} - 2 = 0 \tag{4.3}$$

Equation (4.3) has two solutions

$$c_{-1}^{\pm} = \frac{\alpha}{4} \pm \sqrt{\left(\frac{\alpha}{4}\right)^2 + 1}$$

These roots correspond to two asymptotic forms. So it can be two power expansions.

For truncated equation (4.1) we have

$$\mathcal{L}(z) = \frac{d^2}{dz^2} - \alpha \frac{c_{-1}}{z} \frac{d}{dz} + \frac{\alpha c_{-1}}{z^2} - 6 \frac{c_{-1}^2}{z^2}$$

Therefore the characteristic equation takes the form

$$\nu(k) = k(k-1) - \alpha c_{-1}k + \alpha c_{-1} - 6c_{-1}^2$$

Using (4.3), we obtain the equation for proper numbers

$$k^2 - k(1 + \alpha c_{-1}) - 2\alpha c_{-1} - 6 = 0$$

This equation has roots $k_0 = -2$ and

$$k_1 = 3 + \alpha c_{-1} \tag{4.4}$$

The cone of the problem is $\mathcal{K} = (k : k > -1)$, hence $k_0 = -2$ is not the critical number.

Let us find, if power expansions exist under the different meanings of the proper number k_1 .

If $\alpha^2 \neq \frac{2a^2}{2+a}$, where $a \in \mathbb{Z}$, $a > -2$, then there are two power expansions in the form

$$w(z) = \frac{c_{-1}}{z} + \sum_{i=0}^{\infty} c_i z^i \quad (4.5)$$

where coefficient c_{-1} is either root of equation (4.3), other coefficients are sequentially computed. In particular, c_0 and c_1 are determined by formulas

$$c_0 = \frac{c_{-1}\gamma\alpha + 2\gamma - 2C_0c_{-1}}{4(c_{-1}\alpha + 3)}$$

$$c_1 = \frac{c_{-1}(2\gamma c_0 - 6c_0^2 + \beta)}{3(c_{-1}\alpha + 2)}$$

If $\alpha = 0$ or $\alpha^2 = 2$, then k_1 is the critical number for both expansions, and we should control the compatibility conditions: at $\alpha = 0$ to c_3 for both expansions; at $\alpha^2 = 2$ to c_5 for one expansion and to c_1 for the other one.

If $\alpha^2 = \frac{2a^2}{2+a}$ ($a = 1, 3, 4, 5, 6, \dots$), then k_1 is the critical number for only one of expansions, and we should examine the compatibility condition to c_{3+a} . For the other expansion all coefficients exist and can be uniquely determined.

If the compatibility condition holds, then there is power expansion with one arbitrary constant. This expansion has form, similar to expansion (4.5).

If the compatibility condition fails, then expansion is the power-logarithmic one and takes the form

$$w(z) = \frac{c_{-1}}{z} + \sum_{i=0}^{\infty} c_i (\ln z) z^i \quad (4.6)$$

where coefficient c_{-1} is either root of equation (4.3) and $c_i(\ln z)$ are the polynomials of $\ln z$ and can be uniquely determined.

For example let us consider $\alpha = 0$ and $c_{-1} = 1$ in details. In this case we obtain the compatibility condition

$$C_0(\gamma + 2C_0)(\gamma^2 + \gamma C_0 + 9\beta - 2C_0^2) = 0 \quad (4.7)$$

If this condition holds, we have power expansion in the form

$$w(z) = \frac{1}{z} + \frac{\gamma - C_0}{6} + \frac{z}{36}(6\beta - C_0^2 + \gamma^2) +$$

$$+ z^2/216(2C_0 + \gamma)(\gamma^2 + C_0\gamma + 9\beta - 2C_0^2) + c_3 z^3 + \sum_{i=4}^{\infty} c_i z^i$$

where c_3 is the arbitrary constant and c_i , $i = 4, 5, 6 \dots$ are the constants, that can be sequentially defined.

If the compatibility condition fails (4.7), we obtain the power-logarithmic expansion

$$w(z) = \frac{1}{z} + \frac{\gamma - C_0}{6} + \frac{z}{36}(6\beta - C_0^2 + \gamma^2) + \frac{z^2}{216}(2C_0 + \gamma)(\gamma^2 + C_0\gamma + 9\beta - 2C_0^2) + \left(c_3 + C_0(2C_0 + \gamma)(2C_0^2 - C_0\gamma - \gamma^2 - 9\beta) \frac{\ln z}{270} \right) z^3 + \sum_{i=4}^{\infty} c_i (\ln z) z^i$$

where c_3 is the arbitrary constant and $c_i(\ln z)$ are the polynomials of $\ln z$, that can be uniquely determined.

5 Expansions, corresponding to edge $\Gamma_2^{(1)}$.

Edge $\Gamma_2^{(1)}$ exists, if $\beta \neq 0$ or $C_0 \neq 0$.

The truncated equation, corresponding to edge $\Gamma_2^{(1)}$, takes the form

$$w_{zz} + C_0 w_z + \beta w = 0 \quad (5.1)$$

The outer normal $N_2 = (0, -1)$, the normal cone

$$U_2^{(1)} = \{\lambda(0, -1), \lambda > 0\}$$

The condition $\omega(1, r) \in U_2^{(1)}$ does not hold, so there are no power asymptotic forms, corresponding to this edge.

6 Expansions, corresponding to edge $\Gamma_3^{(1)}$.

This edge exists, if $\beta = \gamma = 0$ and $C_0 \neq 0$.

The truncated equation, corresponding to edge $\Gamma_3^{(1)}$, takes the form

$$f w_z - 2w^3 = 0 \quad (6.1)$$

The outer normal for this edge is $N_3 = (1, -1/2)$, therefore we obtain the normal cone

$$U_3^{(1)} = \{\lambda(2, -1), \lambda > 0\}$$

Using the condition $\omega(1, r) \in U_3^{(1)}$, we have $\omega = 1, r = -1/2 \Rightarrow z \rightarrow \infty$

So the solutions of truncated equation (6.1) can be written as

$$w = \frac{c_0}{z^{1/2}}, \quad c_0 = \pm \sqrt{-C_0/4} \quad (6.2)$$

The characteristic equation here is

$$\nu(k) = C_0(k + 3/2)$$

We obtain one critical number $k = -3/2$. The compatibility condition does not hold, so we obtain two power-logarithmic expansions

$$\begin{aligned} w(z) = & \frac{c_0}{\sqrt{z}} + \frac{\alpha}{4z} + \left(c_2 - \frac{3c_0 \ln z}{4C_0} \right) z^{-3/2} + \\ & + \left(\frac{\alpha (\alpha^2 - 32 c_0 c_2 - 2)}{16C_0} - \frac{3\alpha \ln z}{8C_0} \right) z^{-2} + \dots \end{aligned} \quad (6.3)$$

where $c_0 = \pm \sqrt{-C_0/4}$, c_2 is the arbitrary constant.

7 Expansions, corresponding to edge $\Gamma_4^{(1)}$.

Edge $\Gamma_4^{(1)}$ exists, if $\beta = 0, \gamma \neq 0$ and $C_0 \neq 0$.

The truncated equation, corresponding to edge $\Gamma_4^{(1)}$, takes the form

$$C_0 w_z + \gamma w^2 = 0 \quad (7.1)$$

The outer normal for this edge $N_4 = (1, -1)$, hence we have the normal cone

$$U_4^{(1)} = \{\lambda(1, -1), \lambda > 0\}$$

Using the condition $\omega(1, r) \in U_4^{(1)}$, we obtain $\omega = 1, r = -1 \Rightarrow z \rightarrow \infty$

So the solution of truncated equation can be written as

$$u = \frac{C_0}{\gamma} z^{-1} \quad (7.2)$$

For truncated equation (7.1) we have

$$\mathcal{L}(z) = C_0 \frac{d}{dz} + 2 \frac{C_0}{z^{-1}} \Rightarrow \nu(k) = C_0(k + 2)$$

As the cone of the problem here is $\mathcal{K} = (k : k < -1)$, we have one critical number $k = -2$.

The compatibility condition is

$$2C_0^2 - C_0\alpha\gamma - 2\gamma^2 = 0 \quad (7.3)$$

If it holds, i.e.

$$\alpha = 2\frac{C_0^2 - \gamma^2}{\gamma C_0} \quad (7.4)$$

then, taking into account four terms, we obtain the expansion near $z = \infty$

$$w(z) = \frac{C_0}{\gamma} \frac{1}{z} + \frac{c_1}{z^2} + \frac{\gamma c_1^2}{C_0 z^3} + \frac{\gamma^2 c_1^3}{C_0^2 z^4} + \dots \quad (7.5)$$

where c_1 is the arbitrary constant.

Denote

$$P = 2C_0^2 - C_0\alpha\gamma - 2\gamma^2 \quad (7.6)$$

If compatibility condition (7.3) fails, i.e. $P \neq 0$, the expansion is the power-logarithmic one. It takes the form

$$\begin{aligned} w(z) = & \frac{C_0}{\gamma} \frac{1}{z} + \frac{c_1}{z^2} + \frac{P \ln z}{\gamma^3 z^2} + \frac{\gamma c_1^2}{C_0 z^3} - \frac{c_1 P}{\gamma^2 C_0 z^3} - \frac{P(3\gamma^2 + 2C_0^2)}{C_0 \gamma^5 z^3} + \\ & + \left(2 \frac{c_1 P}{\gamma^2 C_0} - \frac{P^2}{C_0 \gamma^5} \right) \frac{\ln z}{z^3} + \frac{P^2}{C_0 \gamma^5} \frac{\ln^2 z}{z^3} + \dots \end{aligned} \quad (7.7)$$

where c_1 is the arbitrary constant.

8 Expansions, corresponding to edge $\Gamma_5^{(1)}$.

Edge $\Gamma_5^{(1)}$ exists, if $\beta = C_0 = 0$ and $\gamma \neq 0$.

The truncated equation, corresponding to edge $\Gamma_5^{(1)}$, takes the form

$$w_{zz} + \gamma w^2 = 0 \quad (8.1)$$

The outer normal $N_5 = (1, -2)$, so the normal cone is

$$U_5^{(1)} = \{\lambda(1, -2), \lambda > 0\}$$

Using the condition $\omega(1, r) \in U_5^{(1)}$, we obtain $\omega = 1, r = -2 \Rightarrow z \rightarrow \infty$

The solution of truncated equation (8.1) can be written as

$$w = -\frac{6}{\gamma z^2} \quad (8.2)$$

For truncated equation (8.1) we have

$$\mathcal{L}(z) = \frac{d^2}{dz^2} - \frac{12}{z^2} \Rightarrow \nu(k) = k(k-1) - 12$$

Equation $\nu(k) = 0$ has roots $k = -3$ and $k = 4$. As the cone of the problem is $\mathcal{K} = (k : k < -2)$, here there is one critical number $k = -3$. The compatibility condition holds, if and only if $\alpha = 0$. In this case, taking into account three terms, we obtain the expansion near $z = \infty$

$$w(z) = -\frac{6}{\gamma z^2} + \frac{c_1}{z^3} - \frac{\gamma^4 c_1^2 + 432}{8\gamma^3 z^4} + \dots \quad (8.3)$$

where c_1 is the arbitrary constant.

If $\alpha \neq 0$, the expansion is the power-logarithmic one

$$\begin{aligned} w(z) = & -\frac{6}{\gamma z^2} + \frac{72\alpha \ln z + 7c_1\gamma^2}{7\gamma^2 z^3} - \\ & -\frac{648\alpha^2 \ln^2 z - 18\alpha(24\alpha - 7c_1\gamma^2) \ln z}{49\gamma^3 z^4} + \\ & + \frac{2160\alpha^2 - 21168 + 336\alpha\gamma^2 c_1 - 49\gamma^4 c_1^2}{392\gamma^3 z^4} + \dots \end{aligned} \quad (8.4)$$

where c_1 is the arbitrary constant.

9 Expansions, corresponding to edge $\Gamma_6^{(1)}$.

Edge $\Gamma_6^{(1)}$ exists, if $\beta \neq 0$ or $\gamma \neq 0$.

The truncated equation, corresponding to edge $\Gamma_6^{(1)}$, takes the form

$$-2w^3 + \gamma w^2 + \beta w = 0 \quad (9.1)$$

The outer normal $N_6 = (1, 0)$, so the normal cone is

$$U_6^{(1)} = \{\lambda(1, 0), \lambda > 0\}$$

Using the condition $\omega(1, r) \in U_6^{(1)}$, we obtain $\omega = 1, r = 0 \Rightarrow z \rightarrow \infty$
The solution of truncated equation (9.1) takes the form

$$w = c_0, \quad c_0 = \frac{\gamma \pm \sqrt{\gamma^2 + 8\beta}}{4} \quad (9.2)$$

Note, that solutions of truncated equation (9.1) are also the solutions of equation (1.3).

If solutions (9.2) are the simple roots, i.e. $\gamma^2 + 8\beta \neq 0$, then there are no additional expansions.

If $\beta = -\gamma^2/8 \neq 0$, then $c_0 = \gamma/4$ is the root of the second order. Then, making substitution $w(z) = \gamma/4 + v(z)$, for $v(z)$ we obtain equation (1.3) with coefficients $\tilde{\beta} = 0, \tilde{\gamma} = -\gamma/2$ and $\tilde{C}_0 = C_0 - \alpha\gamma/4$. Coefficient α does not change. Let us find expansions of function $v(z)$, which is the solution of equation (1.3) with modified coefficients, near $z = \infty$. Such expansions correspond either edge $\Gamma_4^{(1)}$ or edge $\Gamma_5^{(1)}$. Returning to initial notation, we have the expansions for $w(z)$.

If $\alpha = \frac{4C_0^2 - \gamma^2}{\gamma C_0}, C_0 \neq 0, \gamma \neq 0$ or $\alpha = C_0 = 0$, we obtain the additional power expansion near $z = \infty$. Otherwise, the additional expansion is the power-logarithmic one.

10 Exact solutions of equation (1.3).

In sections 3- 9 we have obtained all the power asymptotic forms to solutions of equation (1.3). All power and power-logarithmic expansions, corresponding to these asymptotic forms, were also found. They are the convergent ones [14–16].

Under some parameters the obtained power expansions can be summed, and then we obtain the exact solutions of equation (1.3).

Let us give some examples of solutions, that can be found in such a way.

Series (7.5) can be summed. So at $\beta = 0$ and α , satisfying expression (7.4), we obtain the exact solution of equation (1.3)

$$w(z) = \frac{C_0^2}{\gamma(C_0 z - c_1 \gamma)} \quad (10.1)$$

The summation of expansion (8.3) (which exists if $\alpha = \beta = C_0 = 0$) results in the solution of equation (1.3) in the form

$$w(z) = -\frac{6/\gamma}{(z - z_0)(z - z_0 - 6/\gamma)} \quad (10.2)$$

where z_0 is the arbitrary constant, which can be expressed via c_1 as $z_0 = -(36 + c_1\gamma^2)/(12\gamma)$.

Using the technique, described in section 9, we obtain the solution

$$w(z) = \frac{\gamma}{4} - \frac{\gamma^2}{2C_0(\gamma z + 2c_1C_0)} \quad (10.3)$$

on condition that

$$\beta = -\gamma^2/8 \neq 0, \quad \alpha = \frac{4C_0^2 - \gamma^2}{\gamma C_0} \quad (10.4)$$

and solution

$$w(z) = \frac{\gamma}{4} + \frac{12/\gamma}{(z - z_0)(z - z_0 + 12/\gamma)} \quad (10.5)$$

if

$$\beta = -\gamma^2/8 \neq 0, \quad \alpha = C_0 = 0 \quad (10.6)$$

Here c_1 and z_0 are the arbitrary constants.

11 Conclusion.

The Burgers-Huxley equation is used for description of some nonlinear wave processes in physics, economics and ecology . In this work we have studied the travelling-wave solutions of this equation, using the power geometry methods.

We have found all power asymptotic forms and all corresponding expansions of solutions of this equation at the different meanings of parameters. We obtain power and power-logarithmic expansions:

- 1) power expansion (3.4) near $z = 0$ with two arbitrary constants
- 2) power expansion (3.5) near $z = 0$ with one arbitrary constant
- 3) two expansions near $z = 0$, corresponding to asymptotic form (4.2), that can be power one (4.5) as long as power-logarithmic one (4.6) subject to the parameters of equation (1.3)

4) two power-logarithmic expansions (4.2) near $z = \infty$ (if $\beta = \gamma = 0$ and $C_0 \neq 0$)

5) power expansion (7.5) near $z = \infty$, that can be summed and gives the exact solution (10.1) (if $\beta = 0$, $\gamma \neq 0$, $C_0 \neq 0$ and condition (7.3) holds)

6) power-logarithmic expansion (7.7) near $z = \infty$ (if $\beta = 0$, $\gamma \neq 0$, $C_0 \neq 0$ and condition (7.3) fails)

7) power expansion (8.3) near $z = \infty$ with one arbitrary constant, that can be summed and gives the exact solution (10.2) (if $\beta = C_0 = \alpha = 0$ and $\gamma \neq 0$)

8) power-logarithmic expansion (8.4) near $z = \infty$ (if $\beta = C_0 = 0$ and $\gamma \neq 0$, $\alpha \neq 0$)

9) expansion near $z = \infty$, described in section 9 (if $\gamma^2 + 8\beta = 0$), that can be power one as long as power-logarithmic one.

The obtained expansions can be used for testing codes at modelling of the wave processes, which can be described by the Burgers-Huxley equation.

This work was supported by the International Science and Technology Center (project B1213).

References

- [1] *Loskutov A.Yu., Mikhailov A.S.* Introduction to Synergetics. Moscow, Nauka, 1990. 270 p. (in Russian)
- [2] *Osipov V.V.* The simplest autowaves. /Sorosovskii Obrasovatel'nyi Zhurnal, 1999, pp. 115–121. (in Russian)
- [3] *Broadbridge P., Bradshaw B.H., Fulford G.R., Aldis G.K.* Huxley and Fisher equations for gene propagation: An exact solution. /ANZIAM J. 44 (2002), 11-20.
- [4] *Svirizhev Yu.M.* Nonlinear waves, dissipative structures and catastrophes in ecology. Moscow, Nauka, 1987, 368 p. (in Russian)
- [5] *Bazyikin A.D.* Nonlinear dynamics of interacting populations. Moscow-Izhevsk: Institut of computer researches, 2003. 368 p. (in Russian)
- [6] *Kudryashov N.A.* Analytical Theory of Non-linear Differential Equations. Moscow-Izhevsk: Institut of computer researches, 2004. 360 p. (in Russian)

- [7] *Efimova O. Yu., Kudryashov N.A.* The exact solutions of Burgers-Huxley equation. *Prikl. Mat. Mekh.*, 2004. V. 68, No. 3, pp. 462–469.
- [8] *Polyanin A.D., Zaitcev V.F., Zhurov A.I.* Methods of solutions to nonlinear equations of mathematical physics and mechanics. Moscow, Physmathlit, 2005. 256 p. (in Russian)
- [9] *Weiss J., Tabor M., Carnevale G.* The Painleve property for partial differential equations. *J. Math. Phys.*, 1983. V.24, No 3, pp. 522–526.
- [10] *Chouldhary S. Roy* Painleve analysis and special solutions of two families of reaction-diffusion equations. *Phys. Letters A*, 1991. V. 159, No 4-5, pp. 311–317.
- [11] *Kudryashov N.A.* The exact solutions of the generalized Kuramoto-Sivashinsky equation. *Phys. Letters A*, 1990. V. 147, No 5-6, pp. 522–526.
- [12] *Kudryashov N.A.* On types of nonlinear nonintegrable equations with exact solutions. *Phys. Letters A*, 1991. V. 155, No 4-5, pp. 269–275.
- [13] *Kudryashov N.A., Zargaryan E.D.* solitary waves in active-dissipative dispersive media. *J. Phys. A: Math. Gen.*, 1994. V. 29, pp. 8067–8077.
- [14] *Bruno A.D.* Power geometry in the algebraic and differential equations. Moscow, Nauka, 1998. 288 p. (in Russian)
- [15] *Bruno A.D.* Asymptotic forms and expansions for solutions of ordinary differential equation. *Russian Mathematical Surveys*, 2004. V. 59, No. 3, pp. 31-80. (in Russian)
- [16] *Bruno A.D.* The asymptotical solution of nonlinear equations by means of power geometry. *KIAM Preprint 28*, Moscow, 2003. (in Russian)
- [17] *Kudryashov N.A., Efimova O.Yu.* Power expansions for solution of the fourth-order analog to the first Painlevé equation. *Chaos, Solitons&Fractals*, 2005. (in press)