

Spectral distance on the circle

Pierre Martinetti

Dipartimento di fisica-GTC,

Università di Roma "La Sapienza", Piazzale Aldo Moro 5, I-00185 Roma

September 26, 2018

Abstract

* A building block of noncommutative geometry is the observation that most of the geometric information of a compact riemannian spin manifold M is encoded within its Dirac operator D . Especially via Connes' distance formula one is able to extract from the spectral properties of D the geodesic distance on M . In this paper we investigate the distance d encoded within a covariant Dirac operator on a trivial $U(n)$ -fiber bundle over the circle with arbitrary connection. It turns out that the connected components of d are tori whose dimension is given by the holonomy of the connection. For $n = 2$ we explicitly compute d on all the connected components. For $n \geq 2$ we restrict to a given fiber and find that the distance is given by the trace of the module of a matrix. The latest is defined by the holonomy and the coordinate of the points under consideration. This paper extends to arbitrary n and arbitrary connection the results obtained in a previous work for $U(2)$ -bundle with constant connection. It confirms interesting properties of the spectral distance with respect to another distance naturally associated to connection, namely the horizontal or Carnot-Carathéodory distance d_H . Especially in case the connection has irrational components, the connected components for d are the closure of the connected components of d_H within the euclidean topology on the torus.

1 Introduction

In Connes framework a noncommutative geometry consists in a *spectral triple*² $\mathcal{A}, \mathcal{H}, D$ (\mathcal{A} is an involutive algebra commutative or not, \mathcal{H} a Hilbert space carrying a representation Π of \mathcal{A} and D a selfadjoint operator on \mathcal{H} called Dirac operator) together with a gradation Γ (called *chirality* in physicists' words) and a real structure J both acting on \mathcal{H} . In analogy with the commutative case points are recovered as pure states $\mathcal{P}(\mathcal{A})$ of \mathcal{A} and the distance d between two states ω, ω' is defined as⁴

$$d(\omega, \omega') \doteq \sup_{a \in \mathcal{A}} \{ |\omega(a) - \omega'(a)| ; \|[D, \Pi(a)]\| \leq 1 \} \quad (1.1)$$

where the norm is the operator norm on \mathcal{H} . This formula appears as a natural extension to the noncommutative realm of the classical definition of the distance as the length of the shortest path. Indeed to any compact, oriented, riemannian, spin manifold M is naturally associated a spectral triple

$$\mathcal{A}_E = C^\infty(M), \mathcal{H}_E = L_2(M, S), D_E = -i\gamma^\mu \partial_\mu \quad (1.2)$$

*Paper published in Journal of Functional Analysis. Original version is available at <http://dx.doi.org/10.1016/j.jfa.2008.07.018>

where \mathcal{H}_E is the space of square integrable spinors over M , with functions acting by multiplication, and D_E is the ordinary Dirac operator of quantum field theory (γ^μ is the representation of the Clifford algebra on \mathcal{H}_E and we omit the spin connection for it commutes with Π) and it is not difficult to see that (1.1) then coincides with the geodesic distance defined by the riemannian structure of M . To get convinced one first identifies the pure states of $C^\infty(M)$ to the points of M by Gelfand duality,

$$\omega_x(f) = f(x), \quad x \in M, f \in C^\infty(M), \omega_x \in \mathcal{P}(C^\infty(M)), \quad (1.3)$$

then observes that $\|[D_E, \Pi(f)]\| \leq 1$ makes f be Lipschitz with constant 1, so that the supremum of $|\omega_x(f) - \omega_y(f)|$ in (1.1) is less than the geodesic distance between x and y . The equality is attained by considering the function

$$L(z) \doteq d_{\text{geo}}(x, z) \quad \forall z \in M. \quad (1.4)$$

Therefore (1.1) is a reformulation of the classical definition of the geodesic distance that

- still makes sense in the noncommutative case;
- does not rely, in the commutative case, on any notion ill-defined in a quantum framework such as trajectory between points.

In fact only spectral properties of \mathcal{A} and D are involved, that is why in the following we call d the *spectral distance* associated to the geometry $(\mathcal{A}, \mathcal{H}, D)$. In previous papers we used the terminology "noncommutative distance" but that might be confusing, suggesting d was not symmetric. Of course d is symmetric and is a distance in the strict mathematical sense.

Implementing a connection within a geometry $(\mathcal{A}, \mathcal{H}, D)$ amounts to substituting D with a covariant Dirac operator D_A (see eq.(2.1)). The spectral distance becomes[†]

$$d(\omega, \omega') \doteq \sup_{a \in \mathcal{A}} \{ |\omega(a) - \omega'(a)|; \|[D, a]\| \leq 1 \} \quad (1.5)$$

where \mathcal{D} denotes the part of D_A that does not commute with the representation. Since there is no reason for $[\mathcal{D}, a]$ to equal $[D, a]$, (1.5) differs from (1.1) and we talk of a *fluctuation of the metric*. In this paper we study such fluctuations for almost commutative geometries, that is to say products of the continuous geometry (1.2) by another, yet undetermined, internal geometry $(\mathcal{A}_I, \mathcal{H}_I, D_I)$. The relevant algebra is then

$$\mathcal{A} = \mathcal{A}_E \otimes \mathcal{A}_I = C^\infty(M, \mathcal{A}_I) \quad (1.6)$$

represented on $\mathcal{H}_E \otimes \mathcal{H}_I$ with a Dirac operator D given in (2.4). In this case fluctuations of the metric amounts to adding two pieces to D : a scalar field over M denoted H and a 1-form field $\gamma^\mu A_\mu$ (see eqs.(2.5,2.6)). When the internal algebra \mathcal{A}_I has finite dimension, A_μ has value in the Lie algebra of the unitaries of \mathcal{A}_I and provides the trivial $U(\mathcal{A}_I)$ -bundle of pure states,

$$\mathcal{P}(\mathcal{A}) = P \xrightarrow{\pi} M, \quad (1.7)$$

with a connection. For this reason A_μ is called the *gauge part* of the fluctuation.

In [12] we have computed the fluctuation of the spectral distance (1.5) in almost commutative geometry for scalar fluctuations only ($A_\mu = 0$) with various choices of finite dimensional \mathcal{A}_I . In [9] we have studied pure gauge fluctuations ($H = 0$) for $\mathcal{A}_I = M_n(\mathbb{C})$

[†]Most of the time we omit the symbol Π and it should be clear from the context whether a means an element of \mathcal{A} or its representation on \mathcal{H} .

($n \times n$ complex matrices). Then the set of pure states $\mathcal{P}(\mathcal{A})$ is a trivial $U(n)$ -bundle P on M with fiber $\mathcal{P}(M_n(\mathbb{C})) \simeq \mathbb{C}P^{n-1}$ equipped with a connection given locally by the 1-form field A_μ . On this bundle it turns out that the spectral distance (1.5) is always smaller or equal to another distance classically associated to a connection, namely the Carnot-Carathéodory (or horizontal or sub-riemannian) distance¹³ d_H . More about the horizontal distance is said in section II, for the moment it is enough to underline that the horizontal distance plays for gauge fluctuations the same role as the geodesic distance in the commutative case, namely d_H provides an upper bound in formula (1.5) as d_{geo} provides an upper-bound in (1.1). In fact it was expected³ that the spectral distance and the horizontal distance were equal. But we pointed out in [9] an obstruction due to the holonomy of the connection that forbids d to equal d_H . More precisely when the holonomy is trivial (i.e. the connection is flat and M is simply connected) then $d = d_H$ on all P . But when the holonomy is non-trivial there no longer exists an equivalent in \mathcal{A} of the function L introduced in eq.(1.4). In other terms d_H is an upper bound in eq.(1.5) but not the lowest upper bound. The obstruction is due to the self-intersecting points of the minimal horizontal paths between $p, q \in P$, that is to say the points p_i that project onto the same point z in the base (see figure 1). When there are too many such points one can prove that no equivalent of the function L exists. Therefore in order to compute the gauge fluctuation of the metric in products of geometries one should first answer the following question:

do all the minimal horizontal curves between two points on a fiber bundle have the same numbers of self-intersecting points ?

Or, more specifically:

what is the minimum number of self-intersecting points of a minimal horizontal path between two given points in a fiber bundle ?

None of these question seems to have an answer in sub-riemannian geometry¹³. If the base of the bundle has sufficiently high-dimension, one may expect to deform a minimal horizontal curve keeping its length fixed and reducing the number of self-intersecting points. A way to escape the problem is to consider a bundle with a low-dimensional base, for instance S^1 . Then all horizontal curves are horizontal-lifts of the circle and for any two points in the bundle there exists at most one minimal horizontal curve. Based on this example we found in [9] that not only d is different from d_H , but that the two distances have properties rather different: while d_H is finite only between points that belong to the same orbit of the holonomy group, d has a larger connected component. These differences have been illustrated on a simple ($A_\mu = \text{constant}$) low dimensional ($\mathcal{A}_I = M_2(\mathbb{C})$) example, focusing on equatorial states (see definition, eq.(4.2) below). The present paper aims at generalizing this result to arbitrary A_μ (non constant and of dimension $n \geq 2$), taking into account non-equatorial states. Although self-contained, this work is better understood in relation with [9].

The paper organizes as follows: in section 2 we recall the basics on products of spectral triples and fluctuations of the metric, as well as the definition of the horizontal distance. We briefly explain why, due to the holonomy constraint, we restrict to $U(n)$ -bundle $P \xrightarrow{\pi} S^1$ over the circle and we introduce the main notations regarding the pure states $\{\xi_x; \xi \in \mathbb{C}P^{n-1}, x \in S^1\}$ of $C^\infty(S^1, M_n(\mathbb{C}))$. Section 3 deals with topology. We show that:

- the connected components $\text{Con}(\xi_x)$ of the spectral distance on P with arbitrary connection are tori \mathbb{U}_ξ with dimension $n_c \leq n$ given by the holonomy;
- the connected component $\text{Acc}(\xi_x)$ for the horizontal distance is a dense or a discrete

subset of \mathbb{U}_ξ , depending on the irrationality of the connection.

The main result is stated in proposition 3.4 which extends to arbitrary connections and dimensions the result of [9]. In section 4 we explicitly compute the spectral distance between any two states in P for the case $n = 2$, extending the results of [9] to non-equatorial states. Especially it turns out that the dependence of the distance on the "altitude" z_ξ of the states is far from trivial, as explained in proposition 4.5 together with its two related corollaries 4.4 and 4.6. These rather technical results are discussed in section 4.3. Section 5 deals with the $n > 2$ case for which we explicitly compute the spectral distance between states on the same fiber. Quite nicely we find a simple expression in terms of the trace of the module of a matrix whose elements are functions of the holonomy and of the states under consideration.

2 Why the circle ?

This section does not contain new material. It aims at recalling the basic features of the fluctuation of the metric in noncommutative geometry, as well as the horizontal distance in a fiber bundle. We then explain why, in order to study the relation between the fluctuated spectral distance and the horizontal distance, we restrict to bundles on the circle.

2.1 Fluctuation of the metric in a product of geometries

Connections are implemented within a geometry $(\mathcal{A}, \mathcal{H}, \mathcal{D})$ by substituting D with a so called *covariant operator*

$$D_A \doteq D + A + JAJ^{-1} \tag{2.1}$$

where A is a selfadjoint element of the set Ω^1 of 1-forms [‡]

$$\Omega^1 \doteq \{a^i[D, b_i] ; a^i, b_i \in \mathcal{A}\}. \tag{2.2}$$

For details on this statement the reader is referred to classical textbooks, such as [8] concerning the general theory of connection and [3] for its implementation within noncommutative geometry. To our purpose it is sufficient to know that the properties defining a spectral triple guarantees that JAJ^{-1} commutes with the representation. Thus only the part of D_A that does not obviously commute with the representation, namely

$$\mathcal{D} \doteq D + A, \tag{2.3}$$

enters in the distance formula.

From now on we assume that $(\mathcal{A}, \mathcal{H}, D)$ is the product of the external spectral triple (1.2) by a so called internal geometry $(\mathcal{A}_I, \mathcal{H}_I, D_I)$. Such a product, defined as

$$\mathcal{A} \doteq \mathcal{A}_E \otimes \mathcal{A}_I, \mathcal{H} \doteq \mathcal{H}_E \otimes \mathcal{H}_I, D \doteq D_E \otimes \mathbb{1}_I + \gamma^5 \otimes D_I \tag{2.4}$$

where $\mathbb{1}_I$ is the identity operator of \mathcal{H}_I and γ^5 the graduation of the external geometry, is again a spectral triple. The corresponding 1-forms are^{7,16}

$$-i\gamma^\mu f_\mu^i \otimes m_i + \gamma^5 h^j \otimes n_j$$

[‡]We use Einstein summation over repeated indices in alternate positions (up/down).

where $m_i \in \mathcal{A}_I$, $h^j, f_\mu^i \in C^\infty(M)$, $n_j \in \Omega_I^1$. Selfadjoint 1-forms thus decompose in an \mathcal{A}_I -valued skew-adjoint 1-form field over M

$$A_\mu \doteq f_\mu^i m_i, \quad (2.5)$$

and an Ω_I^1 -valued selfadjoint scalar field

$$H \doteq h^j n_j, \quad (2.6)$$

so that the part of the covariant Dirac operator D_A relevant for the distance formula is

$$\mathcal{D} = D + \gamma^5 H - i\gamma^\mu A_\mu. \quad (2.7)$$

Assume now that \mathcal{A}_I is the algebra $M_n(\mathbb{C})$ of n -square complex matrices. \mathcal{A}_E being nuclear the set of pure states of

$$\mathcal{A} = C^\infty(M) \otimes M_n(\mathbb{C}) = C^\infty(M, M_n(\mathbb{C})) \quad (2.8)$$

is⁶

$$\mathcal{P}(\mathcal{A}) \simeq \mathcal{P}(\mathcal{A}_E) \times \mathcal{P}(\mathcal{A}_I)$$

where $\mathcal{P}(\mathcal{A}_I) \ni \omega_\xi$ is in 1-to-1 correspondence with the projective space $\mathbb{C}P^{n-1} \ni \xi$ via

$$\omega_\xi(m) = \langle \xi, m\xi \rangle = \text{Tr } s_\xi m \quad \forall m \in \mathcal{A}_I \quad (2.9)$$

with $s_\xi \in M_n(\mathbb{C})$ the support of ω_ξ (the density matrix in physics). The evaluation of

$$\xi_x \doteq (\omega_x \in \mathcal{P}(\mathcal{A}_E), \omega_\xi \in \mathcal{P}(\mathcal{A}_I)) \quad (2.10)$$

on $a = f^i \otimes m_i \in \mathcal{A}$ reads

$$\xi_x(a) = \text{Tr } s_\xi a(x). \quad (2.11)$$

In other words $\mathcal{P}(\mathcal{A})$ is a trivial fiber bundle

$$P \xrightarrow{\pi} M$$

with fiber $\mathbb{C}P^{n-1}$ carrying a faithful action of $SU(n)$,

$$\xi_x \mapsto (U\xi)_x \doteq \xi_x \circ \text{ad}(U^{-1}) \quad \forall U \in SU(n). \quad (2.12)$$

Back to (2.5), A_μ has now value in the set \mathfrak{u} of skew-adjoint elements of $\Pi(\mathcal{A}_I)$. Disregarding the distinction between the algebra and its representation,

$$\mathfrak{u} = \mathfrak{u}(n) \quad (2.13)$$

and A_μ can be viewed as the local form of the 1-form field associated to some Ehresmann connection Ξ on the trivial $U(n)$ -principal bundle on M . Through a reduction to the trivial $SU(n)$ -principal bundle followed by a mapping⁸ to the associated bundle P , Ξ yields a notion of horizontal curve on the bundle of pure states, see (2.14) below. Note that in the rest of the paper we focus on examples where Π is the fundamental representation of $M_n(\mathbb{C})$ so that (2.13) is legitimate.

2.2 Horizontal (or Carnot-Carathéodory) distance

On the one side the gauge part A_μ of the covariant Dirac operator (2.7) equips the bundle P of pure states with a horizontal distribution. On the other side A_μ acquires a metric interpretation via the spectral distance d (1.5). A first guess would be that the spectral distance coincides with the natural distance associated to the horizontal distribution, namely the Carnot-Carathéodory, or horizontal, distance d_H defined below. However as shown in [9] and further studied in this paper, the relation between d and d_H is more subtle. Before exploring this link in the following subsection, we recall here some basic feature of the horizontal distance. For interesting readers further developments can be found in various texts on subriemannian geometry, such as the excellent monography of Montgomery [13].

Let $P \xrightarrow{\pi} M$ be a vector bundle over a riemannian manifold with metric g . Assume P comes equipped with an Ehresmann connection Ξ , that is to say a way to split the tangent space into a vertical subspace and a horizontal subspace,

$$T_p P = V_p P \oplus H_p P \quad p \in P \quad (2.14)$$

where HP is the kernel of the connection 1-form associated to Ξ . The horizontal (also called Carnot-Carathéodory) distance $d_H(p, q)$ is defined as the length of shortest horizontal paths $t \in [0, 1] \mapsto c(t) \in P$ joining $p = c(0)$ to $q = c(1)$, that is to say the length of the shortest path whose tangent vector is everywhere horizontal with respect to the connection,

$$d_H(p, q) \doteq \inf_{\dot{c}(t) \in H_{c(t)} P} \int_0^1 \|\dot{c}(t)\| dt \quad \forall p, q \in P \quad (2.15)$$

where the norm on HP is the pull back of the metric

$$\|\dot{c}\| = \sqrt{g(\pi_*(\dot{c}), \pi_*(\dot{c}))}. \quad (2.16)$$

Other choices of norm are possible, for instance one could take the norm coming from a metric defined on all P (and not only on the base M). By the choice of the pull-back (2.16) we actually define the length of c as the length of its projection c_* on M . By convention when p, q cannot be reached by any horizontal path then $d_H(p, q)$ is infinite.

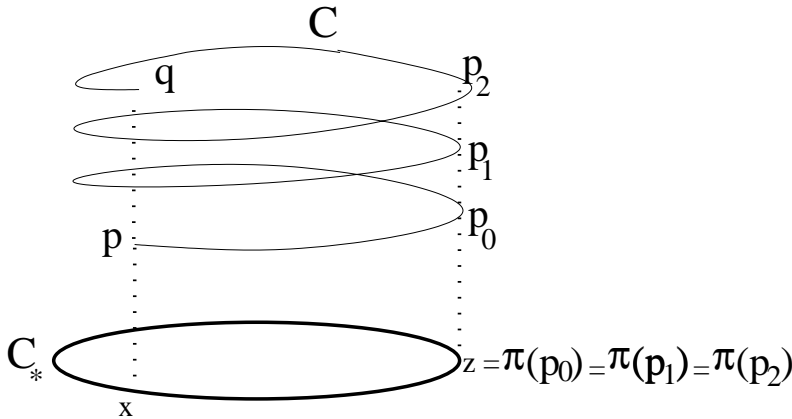


Figure 1: Horizontal lift of the circle.

As an illustration let us consider the trivial bundle $\mathbb{R}^{2*} \times \mathbb{R}$ with local connection 1-form

$$A_\mu dx^\mu = (x^2 dx^1 - x^1 dx^2) \otimes \theta \partial_3 \quad (2.17)$$

where (x^1, x^2) are the coordinates of \mathbb{R}^2 , θ is a real constant and ∂_3 is the base of the Lie algebra of the additive group \mathbb{R} . The corresponding connection 1-form is

$$\omega = A_\mu dx^\mu + \Theta \quad (2.18)$$

where $\Theta = dx^3 \otimes \partial_3 - x^3$ the coordinate on \mathbb{R} - denotes the Maurer-Cartan form. A curve $c(t) = (x^1(t), x^2(t), x^3(t))$ in the bundle is horizontal if its tangent vector \dot{c} is in the kernel of ω that is, in polar coordinates (r, ϕ) , if

$$\dot{x}_3 = \theta r^2 \dot{\phi}. \quad (2.19)$$

Therefore $p_0 = (z \in \mathbb{R}^2, x^3)$ is linked to $p_1 = (z, x^3 + 2|z|^2 \theta \pi)$ by the horizontal lift c of the circle \mathcal{C}_z of radius $|z|$ centered on the origin (see figure 1). By Lagrange multiplier one shows that under the constraint (2.19) the length function on the base

$$\int_{p_0}^{p_1} \sqrt{r^2 \dot{\phi}^2 + \dot{r}^2}$$

has an extremum for $R = \text{constant}$. Assuming this extremum is a minimum (this point is discussed in the next subsection), c is the shortest horizontal path between p_0 and p_1 and

$$d_H(p_0, p_1) = \text{perimeter of } \mathcal{C}_z = 2\pi|z|.$$

2.3 Two distances from a single connection

In the same way that the spectral distance on a manifold is bounded by the geodesic distance, one can prove [9, prop III.1] that the gauge fluctuated spectral distance (1.5) in the product of a manifold by $M_c(\mathbb{C})$ is bounded by the horizontal distance

$$d(\xi_x, \zeta_y) \leq d_H(\xi_x, \zeta_y) \quad \forall \xi_x, \zeta_y \in P. \quad (2.20)$$

In [3] was suggested that the two distances were equal. However they are not because there do not necessarily exists an equivalent of the function L of (1.4) making d_H the lowest upper bound for d in (2.20). This has been shown in great detail in [9, prop. IV.4] and we briefly repeat here the argument without proof.

Identifying points to pure states, eq.(1.4) restricted to a minimal geodesic between x and z reads

$$\omega_z(L) = d_{\text{geo}}(\omega_x, \omega_z).$$

In case of a fiber bundle, one obtains instead that d_H is the lowest upper bound for d if and only if there exists some $a_0 \in \mathcal{A}$ such that

$$c_t(a_0) = d_H(\xi_x, c_t) \quad (2.21)$$

for any $c_t \doteq c(t)$ on the minimal horizontal curve between $c(0) = \xi_x, c(1) = \zeta_y$. Writing the explicit evaluation (2.11) of c_t on a_0 for each of the states $c_t = p_i$ that projects on the same point z on the base (fig. 1), one obtains

$$p_i(a_0) = \text{Tr } s_{p_i} a_0(z) = d_H(\xi_x, p_i). \quad (2.22)$$

Hence each point p_i puts a condition on the same matrix $a_0(z)$ and it is most likely that if there are too many such points, say more than n^2 , there is very little chance that an element a_0 satisfying (2.22) does exist.

However one may argue that the number of points p_i could be reduced by choosing another minimal horizontal curve with less points projecting onto the same given point of the base. For instance getting back to the example $\mathbb{R}^2 \times \mathbb{R}$ (2.17), there exists at least two horizontal curve between p_0 and p_2 . One, say c_1 , is the double lift of the circle \mathcal{C}_z and has length

$$d_1 = 4\pi|z|.$$

The other one is found by noting that $x_3 = \text{constant}, \phi = \text{constant}$ is a solution of the constraint (2.19) so that the horizontal lift (with initial condition $x^3 = 0$) of a radial segment $[z, \lambda z], \lambda \in \mathbb{R}$, is the segment itself. Hence the horizontal lift c_2 of

$$[z, \sqrt{2}z] \circ \mathcal{C}_{\sqrt{2}z} \circ [\sqrt{2}z, z]$$

is also a horizontal path between p_0 and p_2 and has length

$$d_2 = 2\pi\sqrt{2}|z| + 2|z|(\sqrt{2} - 1).$$

As

$$d_1 - d_2 = 2|z|(\sqrt{2} - 1)(\sqrt{2}\pi - 1) > 0$$

c_1 is not the shortest horizontal path. Of course both c_1 and c_2 have infinitely many pairs of points projecting onto the same points on the base. But rotating a little bit the radial segment around the z -vertical axis, it is not difficult to find a new horizontal curve c_3 whose length is arbitrarily close to d_2 and has no such points (except p_0 and p_2 themselves). Such a curve is plotted in figure 2.

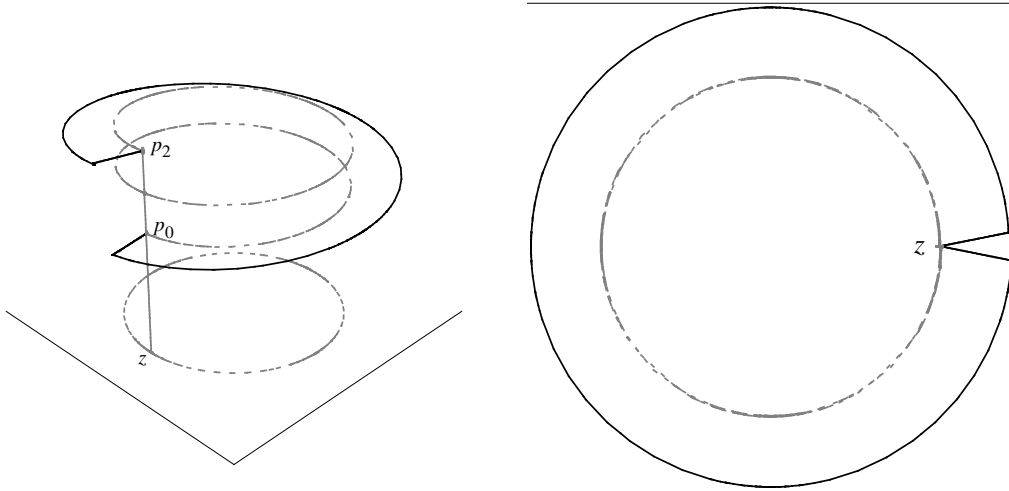


Figure 2: Two horizontal curves between p_0 and p_2 and their projection on the base. Thin line is the double lift c_1 of the circle of radius $|z|$. Thick line is c_3 and has only one pair of points that project onto the same point on the base.

Hence it is possible to deform a horizontal curve, keeping its length almost fixed, in such a way to reduce the number of points p_i projecting onto the same z in the base. However it is difficult to extrapolate some general result when one has to take into account both the connection and the metric on the base. Here we found c_2 by moving from z to $\sqrt{2}z$, making a circle and come back to z . On a base with arbitrary metric, it could be that one has interest to move far from z , make a small circle there and come back. In fact even with the Euclidean metric a connection $\frac{\omega}{r^2}$ instead of ω yields a different result: one has interest to go close to the origin, make a small circle around it and come back. Moreover knowing there exists a minimal horizontal curve whose projection does not self-intersects is not sufficient to prove that the spectral distance coincide with the horizontal distance. The holonomy obstruction (2.22) is a necessary condition but certainly not a sufficient one to guarantees that d equal d_H . In the following we escape the problem by considering a bundle on the circle,

$$M = S^1.$$

Thus, whatever the connection, there is at most one minimum horizontal curve - a horizontal lift of S^1 with winding number k - between any two points ξ_x, ζ_x on the same fiber. Then

$$d_H(\xi_x, \zeta_x) = 2k\pi \tag{2.23}$$

and computing explicitly $d(\xi_x, \zeta_x)$ one finds that both distances do not coincide. This has been shown in [9] for low dimension ($\mathcal{A}_I = M_2(\mathbb{C})$) with constant connection ($A_\mu = \text{diag}(0, -i\theta \in i\mathbb{R})$). In the rest of the paper we generalize this result to non constant connections of dimension $n \geq 2$.

3 Connected components

In this section we work out the topological aspect of both the spectral and the horizontal distances induced by the fluctuation of the metric in a spectral triple built on $\mathcal{A} = C^\infty(S^1, M_n(\mathbb{C}))$. Main results are propositions 3.1 and 3.4 that are further discussed in section 3.4.

3.1 A noncommutative geometry for the circle

Consider the product (2.4) of the natural spectral triple (1.2) on $M = S^1$ by the finite dimensional spectral triple

$$\mathcal{A}_I = M_n(\mathbb{C}), \quad \mathcal{H}_I = M_n(\mathbb{C}), \quad D_I = 0.$$

Note that \mathcal{A}_I is represented on itself - by simple matrix multiplication - rather than on \mathbb{C}^n in order to fulfill the reality axiom of spectral triple³. However the later does not enter the distance formula and the operator norm of an n -square matrix acting on $M_n(\mathbb{C})$ coincides with its operator norm on \mathbb{C}^n . Consequently regarding distance computation it is equivalent to consider that \mathcal{A}_I acts on \mathbb{C}^n . The vanishing of D_I guarantees that the scalar part H of the fluctuation is zero, so that the part of the fluctuated Dirac operator (2.7) relevant for the spectral distance is the usual covariant operator

$$\mathcal{D} = -i\gamma^\mu(\partial_\mu \otimes \mathbb{I}_I + \mathbb{I}_E \otimes A_\mu) \tag{3.1}$$

associated to the connection A_μ on the product bundle $L_2(M, S) \otimes (M \times M_n(\mathbb{C})) = L_2(M, S \otimes M_n(\mathbb{C}))$. Strictly speaking one cannot talk of a covariant operator on the associated $SU(n)$ -bundle

$$\mathcal{P}(\mathcal{A}) = P \xrightarrow{\pi} S^1$$

of pure states of \mathcal{A} since the fiber $\mathbb{C}P^{n-1}$ is not a vector space. However as explained below eq.(2.13) A_μ does define a notion of horizontal curve in P . Technical details on that matter are given in the next subsection.

Two states in P are at infinite horizontal distance if and only if there is no horizontal path between them. All pure states at finite horizontal distance from ξ_x are said *accessible*,

$$\text{Acc}(\xi_x) \doteq \{q \in P; d_H(\xi_x, q) < +\infty\}. \quad (3.2)$$

Two pure states ξ_x, ζ_y are said connected for d if and only if $d(\xi_x, \zeta_y)$ is finite and we write

$$\text{Con}(\xi_x) \doteq \{q \in P; d(\xi_x, q) < +\infty\} \quad (3.3)$$

the connected component of ξ_x for d . From (2.20) $\text{Acc}(\xi_x)$ is connected for d ,

$$\text{Acc}(\xi_x) \subset \text{Con}(\xi_x). \quad (3.4)$$

However there is no reason for $\text{Con}(\xi_x)$ to equal $\text{Acc}(\xi_x)$. d can remain finite although d_H is infinite. As discussed in the precedent section what matters is the holonomy of the connection. In low dimension ($n = 2$) with constant connection we showed in [9] that $\text{Con}(\xi_x)$ is a 2-torus and $\text{Acc}(\xi_x)$ a dense subset if θ is irrational. In the rest of this section we show that for non-constant connection in arbitrary n dimension $\text{Con}(\xi_x)$ is an n_c torus \mathbb{U}_ξ with $n_c \leq n$ given by the holonomy. $\text{Acc}(\xi_x)$ is a dense, discrete or a discrete union of dense subsets of \mathbb{U}_ξ .

3.2 Accessible points

Let us begin by $\text{Acc}(\xi_x)$, which is nothing but the horizontal lift of the circle with initial condition given by ξ . Here “horizontal lifts” take place in the associated bundle P of pure states. So, as a starting point, it may be useful to recall how the horizontal structure defined on the trivial $SU(n)$ -bundle by the gauge fluctuation A_μ is exported to P . Explicitly a curve in P is horizontal if⁸ it writes as the product vU of

- a curve v in P whose projection on the base coincides with the projection c_* of c .
- a curve U in $SU(n)$ such that $U^{-1}\dot{U} = -\omega(\dot{v})$ where ω is the connection 1-form defined by A_μ via (2.18). Locally these write

$$A_\mu \dot{c}_*^\mu = -U^{-1}\dot{U} \quad (3.5)$$

and the horizontal lift $c \subset P$ of a given $c_* \in M$ with initial conditions $c_*(0) = x, c(0) = \xi_x$ writes

$$c(t) = (U_t \xi)_y \quad (3.6)$$

where $y = c_*(t)$, U_t is obtained by integrating (3.5) and the action of $SU(n)$ on $\mathbb{C}P^{n-1}$ is given in (2.12). In our specific case of interest $M = S^1$ the connection 1-form has only one component

$$A_\mu = -A_\mu^* = A. \quad (3.7)$$

Once for all we fix on \mathcal{H}_I a basis of real eigenvectors of iA such that

$$A = i \begin{pmatrix} \theta_1 & \dots & 0 \\ \vdots & \ddots & \vdots \\ 0 & \dots & \theta_n \end{pmatrix} \quad (3.8)$$

where the θ_j 's are real functions on S^1 . Let $\mathbb{R} \bmod 2\pi$ parametrize the circle and x be the point with coordinate 0. Any curve c_* in S^1 starting at x is

$$c_*(t) = t \quad \forall t \in [0, \tau], \quad \tau \in \mathbb{R}$$

where we do not restrict to $\tau \leq 2\pi$ since we want to include curves with winding numbers greater than 1. Then

$$U_\tau = \exp \left(- \int_0^\tau A(t) dt \right) \quad (3.9)$$

acts on $\xi \in \mathbb{C}P^{n-1}$ - viewed as an n -complex normalized vector - by usual matrix multiplication. Within a trivialization (π, V) the initial condition writes

$$V(c(0)) = \xi = \begin{pmatrix} V_1 \\ \vdots \\ V_n \end{pmatrix} \in \mathbb{C}P^{n-1}$$

and the horizontal lift $c(\tau) = (c_*(\tau), V(\tau))$ has components

$$V_j(\tau) = V_j e^{-i\Theta_j(\tau)} \quad (3.10)$$

with

$$\Theta_j(\tau) \doteq \int_0^\tau \theta_j(t) dt. \quad (3.11)$$

In other terms, with notation (2.10), the elements of P accessible from $\xi_x = \xi_0$ are the pure states

$$\xi_\tau \doteq (\omega_{c_*(\tau)}, \omega_{V(\tau)}), \quad \tau \in \mathbb{R}. \quad (3.12)$$

On a given fiber $\pi^{-1}(c_*(\tau))$, $\text{Acc}(\xi_x)$ reduces to

$$\xi_\tau^k \doteq \xi_{\tau+2k\pi}, \quad k \in \mathbb{Z}, \quad (3.13)$$

with components

$$V_j(\tau + 2k\pi) = V_j(\tau) e^{-ik\Theta_j(2\pi)}. \quad (3.14)$$

Dividing each ξ_τ^k by the irrelevant phase $e^{-ik\Theta_1(2\pi)}$ and writing

$$\Theta_{ij} \doteq \Theta_i - \Theta_j, \quad (3.15)$$

one obtains the orbit H_τ^ξ of ξ_τ under the action of the holonomy group at $c_*(\tau)$, namely

$$H_\tau^\xi \doteq \text{Acc}(\xi_x) \cap \pi^{-1}(c_*(\tau)) = \left\{ \begin{pmatrix} V_1(\tau) \\ e^{ik\Theta_{1j}(2\pi)} V_j(\tau) \end{pmatrix}, k \in \mathbb{Z}; j = 2, \dots, n \right\}.$$

Fiber-wise the set of accessible points is thus a subset of the $(n-1)$ -torus of $\mathbb{C}P^{n-1}$,

$$T_\xi \doteq \left\{ \begin{pmatrix} V_1 \\ e^{i\varphi_j} V_j \end{pmatrix}, \varphi_j \in \mathbb{R}, j = 2, \dots, n \right\}, \quad (3.16)$$

where we noted that $V_i(\tau)$ differs from V_i only by a phase factor. The union on all fibers yields:

Proposition 3.1 $\text{Acc}(\xi_x) = \bigcup_{\tau \in [0, 2\pi[} H_\tau^\xi$ is a subset of the n -torus (see figure 3)

$$\mathbb{T}_\xi \doteq S^1 \times T_\xi. \quad (3.17)$$

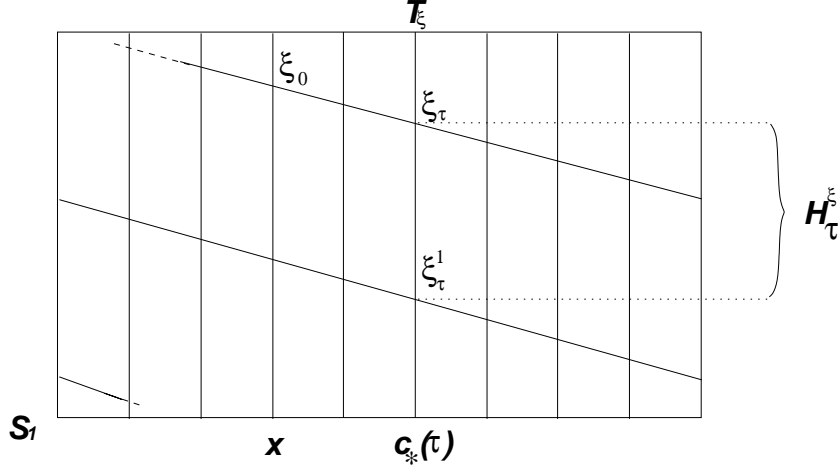


Figure 3: The n -torus \mathbb{T}_ξ with base S^1 and fiber the $(n - 1)$ -torus T_ξ . The diagonal line is $\text{Acc}(\xi_x = \xi_0) = \{\xi_\tau, \tau \in \mathbb{R}\}$. H_τ^ξ is the orbit of ξ_τ under the holonomy group at $c_*(\tau)$.

Let us comment on this inclusion

$$\text{Acc}(\xi_x) \subset \mathbb{T}_\xi \subset P$$

which fiber-wise reads

$$H_\tau^\xi \subset T_\xi \subset \mathbb{C}P^{n-1}.$$

Two elements of $\mathbb{C}P^{n-1}$ with components V_i 's, U_i 's belong to different tori T_ξ if and only if $|V_i| \neq |U_i|$ for at least one $i \in [2, n]$. In this sense the T_ξ 's realize a slicing of $\mathbb{C}P^{n-1}$, and the \mathbb{T}_ξ 's a slicing of P , indexed by the modules of the components of ξ . The latter does not correspond to the horizontal foliation of P for

$$\text{Acc}(\xi_x) \subsetneq \mathbb{T}_\xi. \quad (3.18)$$

Indeed at best, when all the $\Theta_{1j}(2\pi)$'s are distinct and irrational, \mathbb{T}_ξ is the completion of $\text{Acc}(\xi_x)$ with respect to the euclidean norm on T_ξ . But as soon as one of the $\Theta_{1j}(2\pi)$'s is rational, $\text{Acc}(\xi_x)$ is no longer dense in \mathbb{T}_ξ . For instance when all the $\Theta_{1j}(2\pi)$'s are rational, H_τ^ξ is a discrete subset of T_ξ . In any case $\text{Acc}(\xi_x)$ cannot be the whole torus \mathbb{T}_ξ . Later on the inclusion (3.18) will be refined by the computation of the connected component for the spectral distance. For the moment let us simply underline that the horizontal distance "forgets" about the fiber bundle structure of the set of pure states; and it forgets it twice:

1. two pure states on the same fiber belonging to distinct tori $\mathbb{T}_\xi, \mathbb{T}_\eta$ are infinitely Carnot-Carathéodory far from each other although they might be close in a suitable topology of $\mathbb{C}P^{n-1}$.

2. on a given component \mathbb{T}_ξ , $d_H(\xi_\tau, \xi_\tau^k) = 2k\pi$. So in case the $\Theta_{1j}(2\pi)$'s are irrational, by (3.13) and (3.14) one can find close to ξ_τ (in the euclidean topology of \mathbb{T}_ξ) some ξ_τ^k arbitrarily Carnot-Carathéodory far from ξ_τ (see fig. 4).

On the contrary the spectral distance keeps better in mind the fibern structure of P . For instance in the case $n = 2$ (i.e. $T_\xi = S^1$) with a constant non-trivial connection (i.e. $\theta_1 \neq \theta_2 \in \mathbb{C}$) we found in [9] that $\text{Con}(\xi_x)$ is the whole 2-torus \mathbb{T}_ξ . Two states on different tori $\mathbb{T}_\xi, \mathbb{T}_\zeta$ are still infinitely far from one another, but on a given \mathbb{T}_ξ all states are at finite spectral distance from one another. Specifically on each fiber the spectral distance d appears as a "smoothing"¹⁰ of the euclidean distance d_E on the circle (figure 4).

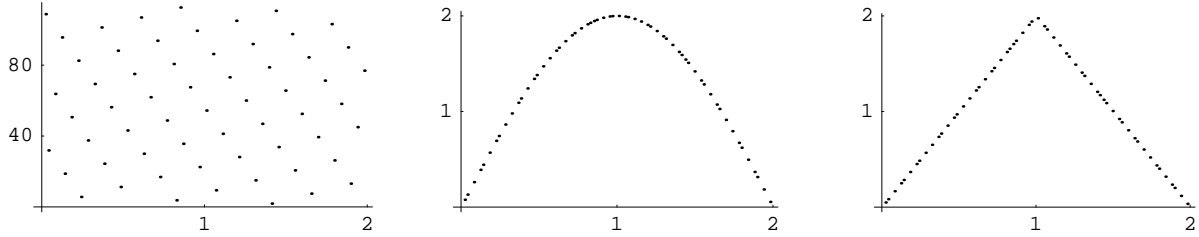


Figure 4: from left to right, the horizontal, spectral and euclidean distances on the fiber in the $n = 2$ case. The fiber $T_\xi = S^1$ is parametrized by $\varphi \in [0, 2\pi]$ and the plots is the distance between $\varphi = 0$ and $\varphi = k\Theta_{12}(2\pi)$.

3.3 Connected points

Let us investigate now the connected component $\text{Con}(\xi_x)$ of the spectral distance in an $M_n(\mathbb{C})$ bundle over the circle with arbitrary connection. As shown in proposition 3.4 below, $\text{Con}(\xi_x)$ is a subset of the torus \mathbb{T}_ξ defined in (3.17). But contrary to the $n = 2$ case⁹ $\text{Con}(\xi_x)$ is not necessarily equal to \mathbb{T}_ξ . Viewing the torus \mathbb{T}_ξ as the subset of \mathbb{R}^n ,

$$\mathbb{T}_\xi = \{\tau \in [0, 2\pi[, \varphi_i \in [0, 2\pi[, i = 2, \dots, n\} \quad (3.19)$$

we show below that $\text{Con}(\xi_x)$ is a sub-torus \mathbb{U}_ξ of \mathbb{T}_ξ ,

$$\mathbb{U}_\xi = \{\tau \in [0, 2\pi[, \varphi_i \in [0, 2\pi[, i = 2, \dots, n_c\} \quad (3.20)$$

with dimension $n_c \leq n$ given by the number of equivalence classes of the following relation.

Definition 3.2 We say that two directions i, j of \mathbb{T}_ξ are far from each other if the components i and j of the holonomy at x are equal, and we write $\text{Far}(\cdot)$ the equivalence classes,

$$\text{Far}(i) \doteq \{j \in [1, n] \text{ such that } \Theta_j(2\pi) = \Theta_i(2\pi) \text{ mod}[2\pi]\}. \quad (3.21)$$

Two directions belonging to distinct equivalence classes are said close to each other. We denote n_c the numbers of such equivalence classes and we label them as

$$\text{Far}_1 = \text{Far}(1), \text{Far}_p = \text{Far}(j_p) \quad p = 2, \dots, n_c$$

where $j_p \neq 0$ is the smallest integer that does not belong to $\bigcup_{q=1}^{p-1} \text{Far}_q$.

Our terminology will become clearer after proposition 3.4. The word “far” simply reflects that some directions (one may prefer say “dimensions”) of \mathbb{T}_ξ will be found to be infinitely far from one another with respect to the spectral distance. Identifying them by the equivalence relation III.2, we will see that each equivalence class contribute to $\text{Con}(\xi_x)$ by furnishing one of the dimension of \mathbb{U}_ξ . This is explained in section 3.4 below and illustrated in figure 5.

Before establishing this result, let us recall two simple lemmas: first [5, lemma 1] the supremum in the distance formula can be searched on selfadjoint elements of \mathcal{A} . Second [9, lemma III.2]

Lemma 3.3 $d(\xi_x, \zeta_y)$ is infinite if and only if there is a sequence $a_n \in \mathcal{A}$ such that

$$\lim_{n \rightarrow +\infty} \|\mathcal{D}, a_n\| = 0, \quad \lim_{n \rightarrow +\infty} |\xi_x(a_n) - \zeta_y(a_n)| = +\infty. \quad (3.22)$$

This allows to prove the main result of this section:

Proposition 3.4 $\text{Con}(\xi_x)$ is the n_c torus

$$\mathbb{U}_\xi \doteq \bigcup_{\tau \in [0, 2\pi[} U_\tau^\xi \quad (3.23)$$

where $U_\tau^\xi \subset T_\xi$ is the $(n_c - 1)$ torus defined by ($V_i(\tau)$ is given in (3.10))

$$U_\tau^\xi \doteq \left\{ \begin{pmatrix} V_i(\tau) & \forall i \in \text{Far}_1 \\ e^{i\varphi_2} V_i(\tau) & \forall i \in \text{Far}_2 \\ \dots & \\ e^{i\varphi_{n_c}} V_i(\tau) & \forall i \in \text{Far}_{n_c} \end{pmatrix}, \varphi_j \in \mathbb{R}, j \in [2, n_c] \right\}. \quad (3.24)$$

Proof. The idea is to determine by lemma above all states that are at infinite spectral distance from ξ_x . To do so we first need to identify the $a_0 \in \mathcal{A}$ that commute with \mathcal{D} . Let $a_{ij} \in \mathcal{A}_E$ be the components of $a = a^* \in \mathcal{A}$, identified as 2π -periodic complex functions on \mathbb{R} ,

$$a_{ij}(\tau) \doteq a_{ij}(c_*(\tau)) = a_{ij}(\tau + 2k\pi) \quad k \in \mathbb{Z} \quad (3.25)$$

with initial condition $a_{ij}(0) = a_{ij}(x)$. Let dot denote the derivative. The Clifford action reduces to the multiplication by 1 ($\gamma^\mu = \gamma^1 = 1$) so that $[D_E, a_{ij}] = -i\dot{a}_{ij}$ and

$$i[\mathcal{D}, a] = \begin{pmatrix} a_{11} & a_{12} + ia_{12}\theta_{12} & \dots & a_{1n} + ia_{1n}\theta_{1n} \\ a_{21} - ia_{21}\theta_{12} & a_{22} & & \vdots \\ \vdots & & \ddots & \\ a_{n1} - ia_{n1}\theta_{1n} & \dots & \dots & a_{nn} \end{pmatrix} \quad (3.26)$$

where $\theta_{ij} \doteq \theta_i - \theta_j$. The commutator (3.26) is zero if and only if

$$a_{ii} = C_i = \text{constant}, \quad a_{ij}(\tau) = C_{ij} e^{-i\Theta_{ij}(\tau)} \quad (3.27)$$

where

$$\Theta_{ij}(\tau) = \int_0^\tau \theta_{ij}(t) dt$$

has already been defined in (3.11,3.15). The a_{ij} 's being 2π -periodic functions (3.27) has non zero solutions C_{ij} only if

$$\Theta_{ij}(\tau + 2k\pi) = \Theta_{ij}(\tau) \bmod[2\pi] \quad (3.28)$$

that is to say, since by periodicity of θ_{ij}

$$\Theta_{ij}(\tau + 2k\pi) = \Theta_{ij}(\tau) + k\Theta_{ij}(2\pi), \quad (3.29)$$

only if the directions i and j are far from each other in the sense of definition 3.2. In other terms a_0 commutes with \mathcal{D} if and only if its components a_{ij} vanishes for any couples of close directions i, j and are given by (3.27) otherwise.

For such a_0 and for any $\xi \in \mathbb{C}P^{n-1}$ with components V^i , (2.11) and (2.9) with $y = c_*(\tau)$ yield

$$\xi_y(a_0) = \sum_{i=1}^n C_i |V_i|^2 + \sum_{i<j} 2\text{Re} \left(\bar{V}_i V_j C_{ij} e^{-i\Theta_{ij}(\tau)} \right). \quad (3.30)$$

Consider now $\zeta \in \mathbb{C}P^{n-1}$ with components W_i such that, for at least one value $i_0 \in [1, n]$,

$$|V_{i_0}| \neq |W_{i_0}|. \quad (3.31)$$

One easily finds some a_0 such that $\xi_x(a_0) \neq \zeta_y(a_0)$, for instance

$$C_{ij} = C_i = 0 \text{ for all } i, j \text{ except } C_{i_0} \neq 0.$$

Thus $d(\xi_x, \zeta_y)$ is infinite by lemma 3.3 (consider $a_n = na_0$). This means that $\text{Con}(\xi_x) \cap \pi^{-1}(c_*(\tau))$ is included within the set of pure states ζ_y that do not satisfy (3.31), that is to say those with components

$$W_i = e^{i\varphi_i} V_i, \quad \varphi_i \in \mathbb{R}, \quad i = 1, \dots, n. \quad (3.32)$$

Dividing by an irrelevant phase $e^{i\varphi_1}$, one is back to the torus T_ξ defined in (3.16). This indicates that $\text{Con}(\xi_x) \subset \mathbb{T}_\xi$ as expected.

However there is no reason for $\text{Con}(\xi_x)$ to be the whole of \mathbb{T}_ξ . Intuitively this is because the sum in (3.30) runs only on couples of directions that are far from each other. The vanishing of a_{ij} for close directions indicates that the latter cannot contribute to some a_0 making $d(\xi_x, \zeta_y)$ infinite, i.e. such that $\xi_x(a_0) \neq \zeta_y(a_0)$. To make this idea more precise let us first observe that V_i differs from $V_i(\tau)$ only by a phase factor. Therefore redefining

$$\varphi_i \rightarrow \varphi_i - i\Theta_i(\tau) \quad (3.33)$$

condition (3.32) equivalently writes

$$W_i = e^{i\varphi_i} V_i(\tau). \quad (3.34)$$

Assuming ζ has such components (3.30) yields

$$\zeta_y(a_0) - \xi_x(a_0) = \sum_{i<j, j \in \text{Far}(i)} 2\text{Re} \left(\bar{V}_i V_j C_{ij} (e^{-i(\varphi_i - \varphi_j)} - 1) \right) \quad (3.35)$$

where $e^{-i\Theta_{ij}(\tau)}$ has been absorbed in the redefinition (3.33) and $1 = e^{-i\Theta_{ij}(0)}$. By lemma 3.3 $d(\xi_x, \zeta_y) = +\infty$ if and only if there exists at least one element a_0 (or a sequence a_n

such that $\lim_{n \rightarrow +\infty} a_{nij}$ has the same properties of a_{0ij}) such that (the limit of) (3.35) does not vanishes. This happens if and only if

$$\varphi_i \neq \varphi_j \pmod{2\pi}$$

for at least one j in $\text{Far}(i)$. Thus $\text{Con}(\xi_x) \cap \pi^{-1}(c_*(\tau))$ is the set of states that do not satisfy condition above, i.e. those with components

$$W_i = e^{i\varphi_j} V_i(\tau) \quad \forall i \in \text{Far}(j).$$

Up to an irrelevant phase $e^{i\varphi_1}$, this is nothing but U_τ^ξ . ■

3.4 Two topologies from a single connection

The spectral and the horizontal distance yield two distinct topologies Con and Acc on the bundle of pure states P . Obviously $e^{i\Theta_{1j}(2k\pi)} = e^{i\Theta_{1i}(2k\pi)} \forall j \in \text{Far}(i)$, hence $H_\tau^\xi \subset U_\tau^\xi$ fiber-wise and $\text{Acc}(\xi_x) \subset \mathbb{U}(\xi_x)$ globally, as expected from (3.4). Also obvious is the inclusion of \mathbb{U}_ξ within \mathbb{T}_ξ . To summarize the various connected components organize as follows,

$$\text{Acc}(\xi_x) \subset \text{Con}(\xi_x) = \mathbb{U}_\xi \subset \mathbb{T}_\xi \subset P \tag{3.36}$$

or fiber-wise

$$H_\tau^\xi \subset U_\tau^\xi \subset T_\xi \subset \mathbb{C}P^{n-1}. \tag{3.37}$$

The difference between $\text{Acc}(\xi_x)$ and \mathbb{U}_ξ is governed by the irrationality of the connection - as explained below eq. (3.18) - whereas the difference between \mathbb{U}_ξ and \mathbb{T}_ξ is governed by the number of close directions. More specifically

$$\mathbb{T}_\xi = \bigcup_{\zeta \in T_\xi} \text{Acc}(\zeta_x) \tag{3.38}$$

is the union of all states with equal components up to phase factors. Meanwhile

$$\mathbb{U}_\xi = \bigcup_{\zeta \in U_\xi} \text{Acc}(\zeta_x), \tag{3.39}$$

with $U_\xi = U_{\tau=0}^\xi$, is the union of all states with equal components up to phase factors, with the extra-condition that phase factors corresponding to directions far from each other must be equal. This is illustrated fiber-wise in low dimension in figure 5. When all the directions are close to each other (e.g. when the functions θ_i 's are constant and distinct from one another) then $U_\xi = T_\xi$, $n_c = n$ and

$$\mathbb{U}_\xi = \mathbb{T}_\xi.$$

On the contrary when all the directions are far from each other, that is to say when the holonomy is trivial, $n_c = 1$ and, in agreement with [9, Prop. IV.1],

$$\mathbb{U}_\xi = S^1 = \text{Acc}(\xi_x).$$

In short $\text{Con}(\xi_x)$ varies from $\text{Acc}(\xi_x)$ to \mathbb{T}_ξ while $\text{Acc}(\xi_x)$ varies from a discrete to a dense subset of $\text{Con}(\xi_x)$.

Note that none of the distance is able to "see" between different tori $\mathbb{T}_\xi, \mathbb{T}_\eta$. However within a given \mathbb{U}_ξ the spectral distance sees between the horizontal components. In this sense the spectral distance keeps "better in mind" the bundle structure of the set of pure states P . This suggests that the spectral distance could be relevant to study some transverse metric structure in a more general framework of foliation.

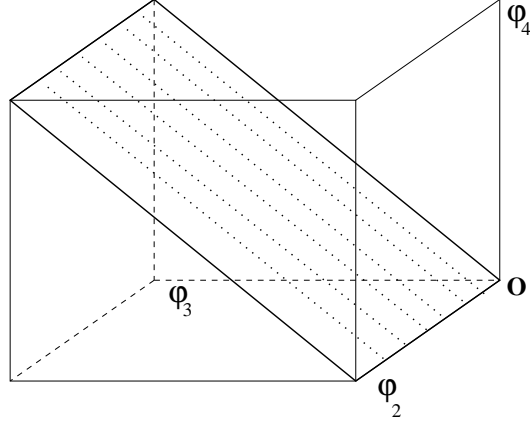


Figure 5: The connected components for the spectral and the horizontal distances on the fiber over x , in case $n = 4$ with directions 3,4 far from each other. We chose a rational $\Theta_{12}(2\pi)$ and irrational $\Theta_{13}(2\pi) = \Theta_{14}(2\pi)$. $|V_i|$ determine a 3-torus $T_\xi = \{\varphi_i \in [0, 2\pi[, i = 2, 3, 4\} \subset \mathbb{C}P^3$. $\text{Arg } V_i$ determine a point O in T_ξ .
- $\text{Con}(\xi_x) \cap \pi^{-1}(x)$ is the 2-torus $U_\xi = \{\varphi_2 \in [0, 2\pi[, \varphi_3 = \varphi_4 \in [0, 2\pi[\}$ containing O .
- $\text{Acc}(\xi_x) \cap \pi^{-1}(x)$ is a subset of U_ξ , discrete in φ_2 and dense in $\varphi_3 \sim \varphi_4$.

4 Spectral distance on the circle with a $\mathbb{C}P^1$ fiber

In the rest of the paper we investigate the spectral distance d on $\text{Con}(\xi_x)$ for arbitrary connection and any choice of ξ_x . In the present section we focus on the case $n = 2$ and explicitly compute d on all $\text{Con}(\xi_x)$, thus generalizing the result of [9] to non-constant connection and non-equatorial ξ (see definition below, eq.(4.2)). In section 5 we compute d on the fiber for dimension $n \geq 2$.

4.1 Parametrization of \mathbb{T}_ξ

The set of pure states of $\mathcal{A}_I = M_2(\mathbb{C})$ identifies to the sphere S^2 via the traditional correspondence

$$\xi = \begin{pmatrix} V_1 \\ V_2 \end{pmatrix} \in \mathbb{C}P^1 \longleftrightarrow \begin{pmatrix} x_\xi \doteq 2\Re(V_1\bar{V}_2) \\ y_\xi \doteq 2\Im(V_1\bar{V}_2) \\ z_\xi \doteq |V_1|^2 - |V_2|^2 \end{pmatrix}. \quad (4.1)$$

The torus T_ξ defined in (3.16) is now a circle S_R of radius $R \doteq (1 - z_\xi^2)^{\frac{1}{2}}$ located inside S^2 at the "altitude" z_ξ .[§] The bundle of pure states of $C^\infty(S^1, M_2(\mathbb{C}))$ is sliced by 2-tori

$$\mathbb{T}_\xi = S^1 \times S_R$$

each of them containing the connected component $\text{Con}(\xi_x) = \mathbb{U}_\xi$ associated to the pure states of altitude z_ξ . This connected component is particularly simple: either the connection A is a multiple of the identity and $\mathbb{U}_\xi = S^1$, or A is non-trivial so that the two directions of \mathbb{T}_ξ are close to each other in the sense of definition 3.2 and $\mathbb{U}_\xi = \mathbb{T}_\xi$ by proposition 3.4. In [9] we computed $d(\xi_x, \zeta_y)$ for any $\zeta_y \in \mathbb{T}_\xi$, assuming the connection

[§] T_ξ is characterized by a single parameter because the value of z_ξ is enough to determine $|V_1|$ and $|V_2|$.

was constant and ξ was an equatorial state, namely

$$z_\xi = 0. \quad (4.2)$$

In the following we investigate the spectral distance between any two states in \mathbb{T}_ξ , equatorial or not, with arbitrary connection.

A preliminary step is to suitably parametrize \mathbb{T}_ξ . Recall that the base S^1 is parametrized by $[0, 2\pi[$ with x the point of coordinate 0. Any pure state accessible from ξ_x is ξ_τ , $\tau \in \mathbb{R}$, with components $V_i(\tau)$ given in (3.10). In the fiber containing ξ_τ , the 1-torus T_ξ is obtained multiplying $V_2(\tau)$ by an arbitrary phase $e^{i\varphi}$. Remembering (3.14), one obtains the same element of T_ξ multiplying the components V_1, V_2 at $\tau + 2k\pi$ by $e^{ik\Theta_1(2\pi)}, e^{i(\varphi+k\Theta_2(2\pi))}$ respectively. Equivalently one can let V_1 unchanged and multiply $V_2(\tau + 2k\pi)$ by $e^{i(\varphi+k\Theta_{21}(2\pi))}$. Hence the following parametrization of \mathbb{T}_ξ .

Definition 4.1 *Given ξ_x in P , any pure state ζ_y in the 2-torus \mathbb{T}_ξ is in one-to-one correspondence with an equivalence class*

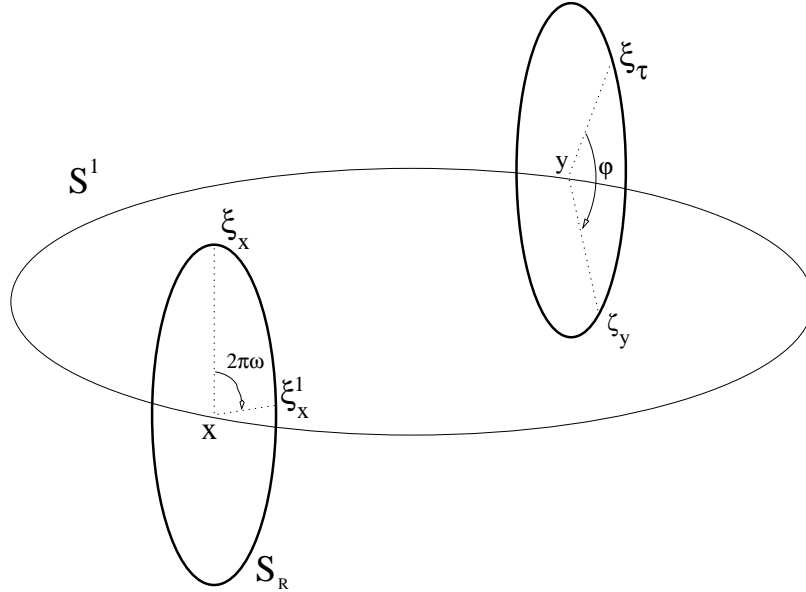
$$(k \in \mathbb{N}, 0 \leq \tau_0 \leq 2\pi, 0 \leq \varphi \leq 2\pi) \sim (k + \mathbb{Z}, \tau_0, \varphi - 2\mathbb{Z}\omega\pi) \quad (4.3)$$

with

$$\tau = 2k\pi + \tau_0, \quad \omega \doteq \frac{\Theta_1(2\pi) - \Theta_2(2\pi)}{2\pi} \quad (4.4)$$

such that

$$\zeta_y = \begin{pmatrix} V_1(\tau) \\ e^{i\varphi} V_2(\tau) \end{pmatrix}. \quad (4.5)$$



4.2 Detail of the computation in the case $n = 2$

The following subsection is technical, interpretation and discussion of the main result, proposition 4.5 below, are postponed to the next subsection.

To simplify the computation of the spectral distance it is useful to delimit the part of \mathcal{A} that is relevant in the search of the supremum. A first set of simplifications comes from the low-dimension of the internal algebra.

Lemme 4.2 *The search for the supremum in computing $d(\xi_x, \zeta_y)$ can be restricted to the set of selfadjoint $a \in \mathcal{A}$ whose diagonal a_1 and off-diagonal $a_0 \doteq a - a_1$ are such that*

$$a_1(x) = 0, \quad \text{Tr } a_1(y) \geq 0, \quad (4.6)$$

$$\Delta_\xi(a_1) \geq 0, \quad \Delta_\xi(a_0) \geq 0 \quad (4.7)$$

$$z_\xi \delta(y) \geq 0 \quad (4.8)$$

where z_ξ is defined in (4.1) and

$$\Delta_\xi \doteq \zeta_y - \xi_x, \quad \delta \doteq a_{11} - a_{22} \quad (4.9)$$

with a_{ij} the components of a .

Proof. That a is selfadjoint comes from a general result according to which the supremum in the distance formula can be searched on positive elements (see [5], lemma 1). The diagonal part a_1 enters the commutator condition,

$$\|[\mathcal{D}, a]\| = \sup_{x \in S^1} \left(\frac{1}{2} |\text{Tr } a_1(x)| + \sqrt{\frac{\delta^2(x)}{4} + \|[\mathcal{D}, a_0](x)\|^2} \right) \quad (4.10)$$

only via its derivative. Moreover for $\zeta_y \in \mathbb{T}_\xi$ and any constant K_i , $i = 1, 2$,

$$\Delta_\xi(a_1 - K_i e_i) = \Delta_\xi(a_1) \quad (4.11)$$

where e_i is the projector on the i^{th} term of the diagonal. Therefore if a attained the supremum, so does $a - K_i e_i$ whose diagonal vanishes at x as soon as one chooses $K_i = a_{ii}(x)$. Hence the first term of (4.6).

Let G be the group, acting on the components of a , generated by the replacements

$$a_1 \rightarrow -a_1, \quad (4.12)$$

$$a_0 \rightarrow -a_0 \quad (4.13)$$

and the permutation

$$a_{11} \leftrightarrow a_{22}. \quad (4.14)$$

Since (4.10) is invariant under the action of G and $a \rightarrow -a$ belongs to G , $\Delta_\xi(a)$ can be assumed positive. Moreover a attaining the supremum means that

$$\Delta_\xi(a) \geq \Delta_\xi(g(a)) \quad (4.15)$$

for any $g \in G$. For instance g given by (4.12) yields

$$\Delta_\xi(a) = \Delta_\xi(a_1) + \Delta_\xi(a_0) \geq -\Delta_\xi(a_1) + \Delta_\xi(a_0)$$

hence the first term of (4.7). The second term of (4.7) is obtained putting $g = (4.13)$ in (4.15). Similarly (4.8) comes from (4.14). $\text{Tr } a_1(y)$ being positive comes from (4.12) followed by (4.14), using the vanishing of $\xi_x(a_1)$. \blacksquare

Other simplifications come from the choice of S^1 as the base manifold.

Lemma 4.3 *Let $a = a_0 + a_1$ with components a_{ij} as in lemma above. If a satisfies the commutator norm condition, then for $i = 1, 2$*

$$|a_{ii}(\tau)| \leq F(\tau) \quad (4.16)$$

where $F(\tau)$ is the 2π -periodic function defined on $[0, 2\pi[$ by

$$F(\tau) \doteq \min(\tau, 2\pi - \tau). \quad (4.17)$$

Meanwhile

$$a_0 = \begin{pmatrix} 0 & ge^{-i\Theta} \\ \bar{g}e^{i\Theta} & 0 \end{pmatrix} \quad (4.18)$$

where

$$\Theta \doteq \Theta_1 - \Theta_2$$

(Θ_i is defined in (3.11)) and g is a smooth function on \mathbb{R} given by

$$g(\tau) = g_0 + \int_0^\tau \rho(u)e^{i\phi(u)} du \quad (4.19)$$

with $\rho \in C^\infty(\mathbb{R}, \mathbb{R}^+)$, $\|\rho\| \leq 1$, and $\phi \in C^\infty(\mathbb{R}, \mathbb{R})$ satisfying

$$\rho(u + 2\pi)e^{i\phi(u+2\pi)} = \rho(u)e^{i(\phi(u)+\Theta(2\pi))} \quad (4.20)$$

while the integration constant $g_0 \in \mathbb{C}$ is fixed by the equation

$$g_0(e^{i\Theta(2\pi)} - 1) = \int_0^{2\pi} \rho(u)e^{i\phi(u)} du. \quad (4.21)$$

Proof. (4.16) comes from the commutator norm condition

$$\|\dot{a}_{ii}\| = \|e_i[\mathcal{D}, a]e_i\| \leq \|[\mathcal{D}, a]\|$$

where e_i has been defined below (4.11), together with the 2π -periodicity of a_{ii} (3.25) namely

$$a_{ii} = \int_0^\tau \dot{a}_{ii}(u) du = - \int_\tau^{2\pi} \dot{a}_{ii}(u) du.$$

The explicit form of a_0 is obtained by noting that any complex smooth function $a_{12} \in \mathcal{A}_E$ can be written $ge^{-i\Theta}$ where $\Theta = \Theta_{12}$ is defined in (3.15) and $g \doteq a_{12}e^{i\Theta} \in C^\infty(\mathbb{R})$. By (3.29)

$$g(\tau + 2\pi) = g(\tau)e^{i\Theta(2\pi)}. \quad (4.22)$$

Therefore any selfadjoint a_0 writes as in (4.18), which yields by (3.26)

$$i[\mathcal{D}, a_0] = \begin{pmatrix} 0 & \dot{g}e^{-i\Theta} \\ \dot{\bar{g}}e^{i\Theta} & 0 \end{pmatrix}. \quad (4.23)$$

By (4.10) the commutator norm condition implies

$$\|[\mathcal{D}, a_0]\| = \|\dot{g}\| \leq 1,$$

that is to say

$$g(\tau) = g(0) + \int_0^\tau \rho(u) e^{i\phi(u)} du \quad (4.24)$$

where $\rho \in C^\infty(\mathbb{R}, \mathbb{R}^+)$, $\|\rho\| \leq 1$, $\phi \in C^\infty(\mathbb{R}, \mathbb{R})$. (4.21) is obtained from (4.19) inserted in (4.22) for $\tau = 0$. Finally (4.21) inserted back in (4.22) gives

$$\int_0^\tau \rho(u + 2\pi) e^{i\phi(u+2\pi)} du = \int_0^\tau \rho(u) e^{i(\phi(u) + \Theta(2\pi))} du,$$

hence (4.20) by derivation with respect to τ . ■

In [9] we obtained by simple algebraic manipulations that for equatorial states the supremum could be searched on elements with vanishing diagonal. Similarly for two states on the same fiber it is easy to see from (4.6) that the diagonal part does not enter into play. For non equatorial states on different fibers however, the diagonal elements play a non trivial role, determined by the value of z_ξ .

Corollary 4.4 *The search for the supremum in the computation of $d(\xi_x, \zeta_y)$ can be restricted to elements whose diagonal components at y ,*

$$\Delta \doteq \frac{1}{2} \delta(y), \quad T \doteq \frac{1}{2} \text{Tr } a(y) \quad (4.25)$$

lie within the triangle

$$\mathcal{T}_\pm \doteq T \pm \Delta \leq \min(\tau_0, 2\pi - \tau_0) \quad (4.26)$$

where the sign is the one of z_ξ (fig. 6).

Proof. When $z_\xi \geq 0$, Δ is positive by (4.8) (i.e. $a_{11}(y) \geq a_{22}(y)$) so that at least $a_{11}(y)$ is positive otherwise (4.6) does not hold. Therefore

$$T + \Delta = a_{11}(y) \leq F(\tau_0)$$

by (4.16) and the parametrization (4.3) of ζ_y . Similarly for negative z_ξ at least $a_{22}(y)$ is positive, hence $T - \Delta = a_{22}(y) \leq F(\tau_0)$. ■

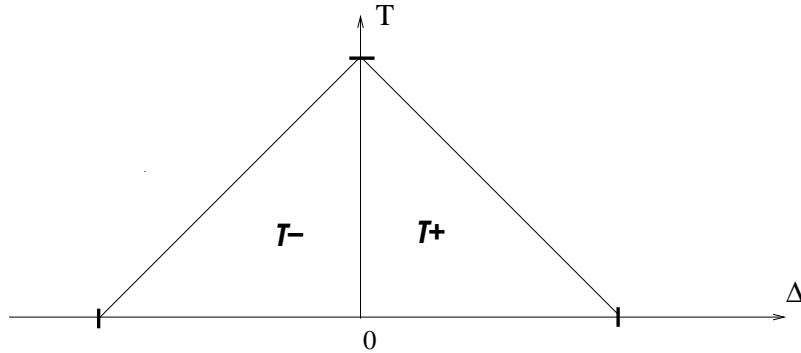


Figure 6: The diagonal part of a . Unit is $\min(\tau_0, 2\pi - \tau_0)$.

Thanks to these preliminary results it is easy to come to the main result of this section, namely the computation of all the distances on \mathbb{T}_ξ .

Proposition 4.5 *Let ξ_x be a pure state in P and ζ_y a pure state in \mathbb{T}_ξ parametrized according to (4.3) by a triple (k, τ_0, φ) . Then either the two directions are far from each other so that $\text{Con}(\xi_x) = \text{Acc}(\zeta_y)$ and*

$$d(\xi_x, \zeta_y) = \begin{cases} \min(\tau_0, 2\pi - \tau_0) & \text{when } \varphi = 0 \\ +\infty & \text{when } \varphi \neq 0 \end{cases}; \quad (4.27)$$

or the directions are close to each other so that $\text{Con}(\xi_x) = \mathbb{T}_\xi$ and

$$d(\xi_x, \zeta_y) = \max_{\mathcal{T}_\pm} H_\xi(T, \Delta) \quad (4.28)$$

where the sign is the one of z_ξ and

$$H_\xi(T, \Delta) \doteq T + z_\xi \Delta + RW_{k+1} \sqrt{(\tau_0 - T)^2 - \Delta^2} + RW_k \sqrt{(2\pi - \tau_0 - T)^2 - \Delta^2} \quad (4.29)$$

with

$$W_k \doteq \frac{|\sin(k\omega\pi + \frac{\varphi}{2})|}{|\sin \omega\pi|}. \quad (4.30)$$

Proof. (4.27) comes from a general result [9, Prop. 3] according to which for trivial holonomy the spectral distance coincides with the horizontal distance, which in turn is either infinite or coincides with the geodesic distance on the base. In the present context one can retrieve this result by explicit calculation and we comment on this point in the paragraph next to this proof. For the time being, we assume $\omega \neq 0$. Let a be an element of \mathcal{A} given by lemma 4.2. By (4.7),

$$|\Delta_\xi(a)| = \Delta_\xi(a_0) + \Delta_\xi(a_1) \quad (4.31)$$

so that a good strategy to find the supremum is to begin with constraining $\Delta_\xi(a_0)$ on the one side (eq.(4.49) below), then adding $\Delta_\xi(a_1)$. Writing

$$2V_1 \overline{V_2} = Re^{i\theta_0}, \quad (4.32)$$

Eqs. (2.11) and (2.9) written for ξ_x and ζ_y (the latest given by (4.5)) yield

$$\Delta_\xi(a_0) = \Re \left(Re^{-i\theta_0} (g(\tau)e^{i\varphi} - g(0)) \right),$$

that we rewrite, using (4.19),

$$\Delta_\xi(a_0) = R \int_0^\tau \rho(u) \cos \phi'(u) + \Re \left(Re^{-i\theta_0} g_0(e^{i\varphi} - 1) \right), \quad (4.33)$$

where

$$\phi'(u) \doteq \phi(u) - \theta_0 + \varphi. \quad (4.34)$$

By the definition (4.4) of τ , using (4.20), the integral term of (4.33) splits into

$$\Re \int_0^{2k\pi} \rho(u) e^{i\phi'(u)} du = \Re \left(\sum_{n=0}^{k-1} e^{2in\omega\pi} \int_0^{2\pi} \rho(u) e^{i\phi'(u)} du \right) \quad (4.35)$$

and

$$\Re \int_{2k\pi}^{2k\pi+\tau_0} \rho(u) e^{i\phi'(u)} du = \Re \left(e^{2ik\omega\pi} \int_0^{\tau_0} \rho(u) e^{i\phi'(u)} du \right) \quad (4.36)$$

that recombine as

$$S_{k+1} \int_0^{\tau_0} \rho(u) \cos \phi_k(u) du + S_k \int_{\tau_0}^{2\pi} \rho(u) \cos \phi_{k-1}(u) du \quad (4.37)$$

where

$$S_k \doteq \frac{\sin k\omega\pi}{\sin \omega\pi}, \text{ and } \phi_k = \phi' + k\omega\pi. \quad (4.38)$$

Meanwhile, after a few calculations with (4.21), the real-part term of (4.33) writes

$$S_{\frac{1}{2}} \int_0^{2\pi} \rho(u) \cos \phi_{\frac{1}{2}}(u) du \quad (4.39)$$

where

$$S_{\frac{1}{2}} \doteq \frac{\sin \varphi/2}{\sin \omega\pi} \text{ and } \phi_{1/2} \doteq \phi' - \frac{\varphi}{2} - \omega\pi. \quad (4.40)$$

Combining (4.37) and (4.39) one finally obtains

$$\Delta_\xi(a_0) \leq RW_{k+1} \int_0^{\tau_0} \rho(u) du + RW_k \int_{\tau_0}^{2\pi} \rho(u) du \quad (4.41)$$

where W_k is the maximum on $[0, 2\pi[$ of $|G_k(u)|$ defined by

$$G_k \doteq S_k \cos \phi_{k-1} + S_{\frac{1}{2}} \cos \phi_{\frac{1}{2}}. \quad (4.42)$$

So far we used the commutator norm condition on a_0 and a_1 independently, via lemmas 4.2 and 4.3. To obtain a global constraint on a , first note that

$$\|[\mathcal{D}, a_0]\| = \left\| -i \begin{pmatrix} 0 & \dot{g}e^{-i\Theta} \\ \dot{g}e^{i\Theta} & 0 \end{pmatrix} \right\| = \rho \quad (4.43)$$

by (4.19), so that (4.10) yields for any a satisfying the commutator norm condition

$$\rho \leq \sqrt{\left(1 - \frac{|\text{Tr } a_1|}{2}\right)^2 - \left(\frac{\dot{\delta}}{2}\right)^2} \quad (4.44)$$

that is, by Jensen inequality,[¶]

$$\int_a^b \rho(t) dt \leq \sqrt{\left((b-a) - \frac{|\text{Tr } a_1(a) - \text{Tr } a_1(b)|}{2}\right)^2 - \left(\frac{\delta(a) - \delta(b)}{2}\right)^2}. \quad (4.48)$$

[¶]For $a \leq b$ and any $f \in L_1([a, b])$ (f positive in the first equation) one has¹⁴

$$\int_a^b \sqrt{f(t)} dt \leq \sqrt{b-a} \sqrt{\int_a^b f(t) dt}, \quad (4.45)$$

$$\int_a^b f^2(t) dt \geq \frac{1}{b-a} \left(\int_a^b f(t) dt\right)^2, \quad (4.46)$$

$$\int_a^b (1-f(t))^2 dt \leq (b-a) \left(1 - \frac{1}{b-a} \int_a^b f(t) dt\right)^2. \quad (4.47)$$

Therefore (4.41) together with the vanishing of a_1 at x and the positivity of $\text{Tr } a_1(y)$ yields the announced bound

$$\Delta_\xi(a_0) \leq RW_{k+1} \sqrt{(\tau_0 - T)^2 - \Delta^2} + RW_k \sqrt{((2\pi - \tau_0) - T)^2 - \Delta^2} \quad (4.49)$$

where we use the notations (4.25). Adding

$$\Delta_\xi(a_1) = T + z_\xi \Delta \quad (4.50)$$

one obtains that $\Delta_\xi(a)$ is inferior or equal to the right hand side of (4.28).

To prove the r.h.s. of (4.28) is the lowest upper bound, we need a sequence of elements

$$a_n = \begin{pmatrix} f_n^+ & g_n e^{-i\Theta} \\ \bar{g}_n e^{i\Theta} & f_n^- \end{pmatrix} \quad (4.51)$$

such that

$$\lim_{n \rightarrow +\infty} \Delta_\xi(a_n) = \max_{\mathcal{T}_\pm} H_\xi(T, \Delta). \quad (4.52)$$

The diagonal part of a_n is defined by the values $(T_0, \Delta_0) \in \mathcal{T}_\pm$ for which H attains its maximum (see corollary 4.6 below) in the following way: assuming $\tau_0 \neq 0$, then f_n^\pm is a sequence of smooth functions approximating from below the 2π -periodic continuous function,

$$f^\pm(t) = \begin{cases} C^\pm t & \text{for } 0 \leq t \leq \tau_0 \\ C^\pm \tau_0 - \frac{C^\pm \tau_0}{2\pi - \tau_0} (t - \tau_0) & \text{for } \tau_0 \leq t \leq 2\pi \end{cases} \quad \text{with } C^\pm \doteq \frac{T_0 \pm \Delta_0}{\tau_0}. \quad (4.53)$$

In other words we build a_n in such a way that

$$\lim_{n \rightarrow +\infty} \frac{1}{2} \text{Tr } a_n(t) = \begin{cases} \frac{T_0}{\tau_0} t & \text{for } 0 \leq t \leq \tau_0 \\ T_0 - \frac{T_0}{2\pi - \tau_0} (t - \tau_0) & \text{for } \tau_0 \leq t \leq 2\pi \end{cases} \quad (4.54)$$

while, writing $\delta_n \doteq f_n^+ - f_n^-$,

$$\lim_{n \rightarrow +\infty} \frac{1}{2} \delta_n(t) = \begin{cases} \frac{\Delta_0}{\tau_0} t & \text{for } 0 \leq t \leq \tau_0 \\ \Delta_0 - \frac{\Delta_0}{2\pi - \tau_0} (t - \tau_0) & \text{for } \tau_0 \leq t \leq 2\pi \end{cases}. \quad (4.55)$$

Thus the diagonal part $a_{1,n}$ of a_n does satisfy lemmas 4.2,4.3 and yields

$$\lim_{n \rightarrow +\infty} \Delta_\xi(a_{n,1}) = T_0 + z_\xi \Delta_0. \quad (4.56)$$

In case of vanishing $\tau_0 = 0$, one simply choose $a_{n,1} = 0$. The off-diagonal part $a_{n,0}$ of a_n is defined by substituting ρ and ϕ in the definition (4.24) with sequences ρ_n, ϕ_n approximating from below the 2π -periodic step functions Γ, Φ defined as follows: Γ is given by (4.44) with $\text{Tr } a_1$ and δ replaced by their limit values above, namely

$$\Gamma \doteq \begin{cases} \sqrt{\left(1 - \frac{T_0}{\tau_0}\right)^2 - \left(\frac{\Delta_0}{\tau_0}\right)^2} & \text{for } 0 \leq t \leq \tau_0 \\ \sqrt{\left(1 - \frac{T_0}{2\pi - \tau_0}\right)^2 - \left(\frac{\Delta_0}{2\pi - \tau_0}\right)^2} & \text{for } \tau_0 \leq t \leq 2\pi \end{cases}. \quad (4.57)$$

In case $\tau_0 = 0$, one takes $\Gamma = 1$. This guarantees that a_n satisfy the commutator norm condition. In order to define Φ , one needs to work out W_k explicitly. Easy calculations from (4.42) yields

$$G_k = A_k \cos \phi' + B_k \sin \phi' \text{ with } \begin{cases} A_k \doteq S_{\frac{1}{2}} \cos(\frac{\varphi}{2} + \omega\pi) + S_k \cos(k-1)\omega\pi, \\ B_k \doteq S_{\frac{1}{2}} \sin(\frac{\varphi}{2} + \omega\pi) - S_k \sin(k-1)\omega\pi, \end{cases}$$

so that G_k attains its maximum value

$$W_k \doteq \sqrt{A_k^2 + B_k^2} = \frac{|\sin(k\omega\pi + \frac{\varphi}{2})|}{|\sin(\omega\pi)|} \quad (4.58)$$

when

$$\tan \phi' = \frac{B_k}{A_k}$$

that is to say, after a few algebraic manipulations, when

$$\cos^2 \phi' = \frac{A_k^2}{W_k^2} = \cos^2 \left((k-1)\omega\pi - \frac{\varphi}{2} \right).$$

Thus, remembering (4.34), $G_k[u]$ is constantly maximum on $[0, 2\pi]$ as soon as ^{||}

$$\phi(u) = \Phi_k$$

where

$$\Phi_k \doteq (1-k)\omega\pi - \frac{\varphi}{2} + \theta_0 \text{ or } \Phi_k \doteq (1-k)\omega\pi - \frac{\varphi}{2} + \theta_0 + \pi \quad (4.59)$$

depending on the sign of A_k and B_k . Hence the required 2π -periodic step function Φ defined on $[0, 2\pi]$ by

$$\Phi(u) = \begin{cases} \Phi_{k+1} & \text{for } 0 \leq u < \tau_0 \\ \Phi_k & \text{for } \tau_0 < u < 2\pi. \end{cases} \quad (4.60)$$

Repeating the procedure that leads to (4.41), one easily checks that

$$\lim_{n \rightarrow +\infty} \Delta_\xi(a_{n,0}) = RW_{k+1} \int_0^{\tau_0} \Gamma(u) du + RW_k \int_{\tau_0}^{2\pi} \Gamma(u) du \quad (4.61)$$

$$= RW_{k+1} \sqrt{(\tau_0 - T_0)^2 - \Delta_0^2} + RW_k \sqrt{(2\pi - \tau_0 - T_0)^2 - \Delta_0^2} \quad (4.62)$$

Adding (4.56), one finally gets $\lim_{n \rightarrow +\infty} \Delta_\xi(a, n) = H_\pm(T_0, \Delta_0)$ as expected in (4.52). Hence (4.28). ■

One could be tempted to search a more explicit formula of $d(\xi_x, \zeta_y)$ by determining the maximum of the function H . This is not clear whether this maximum has such a simpler form. To see where is the difficulty, let us first examine the easy case of vanishing ω . The integral part of (4.33) is still given by (4.37) assuming $S_k = k$. Regarding the real part term of (4.33), either it can be made infinite when φ does not vanish (since (4.21) does not constrain g_0 any longer) thus yielding the second line of (4.27), or it vanishes when $\varphi = 0$ and (4.39) makes sense assuming $S_{\frac{1}{2}} = 0$. Practically one obtains

$$\Delta_\xi(a_0) \leq R(k+1) \int_0^{\tau_0} \rho(u) \cos \phi'(u) du + Rk \int_{\tau_0}^{2\pi} \rho(u) \cos \phi'(u) du. \quad (4.63)$$

^{||}note the change of notation with respect to [9] where Φ_k was denoting $\text{Argtan} \frac{A_k}{B_k}$

Now the vanishing of $\omega\pi = 0$ makes the function g defined in (4.22) 2π -periodic, therefore

$$\int_0^{2\pi} \rho(u) e^{i\phi(u)} du = 0 \quad (4.64)$$

and (4.63) writes

$$\Delta_\xi(a_0) \leq R \int_0^{\tau_0} \rho(u) \cos \phi'(u) du = -R \int_{\tau_0}^{2\pi} \rho(u) \cos \phi'(u) du \quad (4.65)$$

$$\leq R \min \left(\int_0^{\tau_0} \rho(u) du, \int_{\tau_0}^{2\pi} \rho(u) du \right). \quad (4.66)$$

By Jensen inequalities one has, instead of the r.h.s. of (4.28),

$$\Delta_\xi(a) \leq \min \left(\max_{\mathcal{T}_\pm} H_{\tau_0}, \max_{\mathcal{T}_\pm} H_{2\pi-\tau_0} \right) \quad (4.67)$$

where

$$H_\lambda \doteq T + z_\xi \Delta + R\sqrt{(\lambda - T)^2 - \Delta^2}. \quad (4.68)$$

The maximum of H_λ is easily found by noting that for a fixed value of T , H_λ is maximum for $\Delta^2 = z_\xi^2(\delta - T)^2$, which yields $H_\lambda = \lambda$ and (4.68) = (4.27) as expected.

For non vanishing ω the situation is more complicated since H_ξ , unlike H_λ , involve two square roots. In fact there does not seem to be a simple form for the maximum of H_ξ . So far the best we managed to do is summarized in the following corollary.

Corollary 4.6 *H_ξ reaches its maximum either on the segment $T = 0$ or on the segment $T \pm \Delta = \min(\tau_0, 2\pi - \tau_0)$.*

Proof. Let us first show that H_ξ attains its maximum on the border of \mathcal{T}_\pm . A local maximum $p = (T, \Delta)$ of H_ξ inside \mathcal{T}_\pm is a solution of the system

$$\frac{\partial H_\xi}{\partial T} \Big|_p = 0, \quad \frac{\partial H_\xi}{\partial \Delta} \Big|_p = 0. \quad (4.69)$$

Seen as a system in the non-vanishing variables

$$V_1 = \sqrt{(\tau_0 - T)^2 - \Delta^2}, \quad V_2 = \sqrt{(2\pi - \tau_0 - T)^2 - \Delta^2}, \quad (4.70)$$

(4.69) has solution

$$\begin{cases} \Delta - Z(\tau_0 - T) & = 2RW_k \Delta V_2^{-1}(\pi - \tau_0), \\ Z(2\pi - \tau_0 - T) - \Delta & = 2RW_{k+1} \Delta V_1^{-1}(\pi - \tau_0). \end{cases} \quad (4.71)$$

For $\pi = \tau_0$, the above system in T, Δ is solved by the straight line l

$$\Delta = 0 \quad \text{when } Z = 0, \quad (4.72)$$

$$T = \pi - \frac{\Delta}{Z} \quad \text{when } Z \neq 0. \quad (4.73)$$

The latest yields

$$H_\xi(T, \Delta) = \pi + \frac{\Delta R^2}{Z} (W_k + W_{k+1} - 1) \quad (4.74)$$

whose derivative with respect to Δ is constant. Therefore whatever Z , H_ξ attains its maximum on one of the end point of $l \cap \mathcal{T}_\pm$, i.e. H_ξ is maximum on the border of \mathcal{T}_\pm . For $\pi \neq \tau_0$, equating V_1 and V_2 expressed by (4.71) to their definition (4.70), one finds that p is a common root of two polynomials

$$\begin{aligned} P_1 &= \Delta^4 - 2Z\Delta^3(2\pi - \tau_0 - T) + \Delta^2(4R^2W_{k+1}^2(\pi - \tau_0)^2 + Z^2(2\pi - \tau_0 - T)^2 - (\tau_0 - T)^2) \\ &\quad + 2Z\Delta(2\pi - \tau_0 - T)(\tau_0 - T)^2 - Z^2(2\pi - \tau_0 - T)^2(\tau_0 - T)^2, \\ P_2 &= \Delta^4 - 2Z\Delta^3(\tau_0 - T) + \Delta^2(4R^2W_k^2(\pi - \tau_0)^2 - (2\pi - \tau_0 - T)^2 + Z^2(\tau_0 - T)^2) \\ &\quad + 2Z\Delta(2\pi - \tau_0 - T)^2(\tau_0 - T) - Z^2(2\pi - \tau_0 - T)^2(\tau_0 - T)^2. \end{aligned}$$

Since two polynomials have common roots if and only if their discriminant vanishes, the coordinate Δ of p is a root of the resultant of P_1, P_2 viewed as polynomials in T . Thanks to formal computation programs** one finds that this resultant is the product of

$$256Z^8\Delta^8(\pi - \tau_0)^6$$

by

$$\begin{aligned} P_3 \doteq R^4\Delta^2 &- 4R^2Z\Delta(\tau_0 - \pi)\frac{\sin((2k+1)\omega\pi + \varphi)}{\sin\omega\pi} \\ &+ 4(\tau_0 - \pi)^2\frac{(R^2\cos(k\omega\pi + \varphi)^2 - 1)(R^2\cos((k+1)\omega\pi + \varphi)^2 + 1)}{\sin^2\omega\pi}. \end{aligned}$$

The discriminant of P_3 viewed as an equation in Δ of the second degree is

$$-\frac{16R^4(\pi - \tau_0)^2}{\sin^2\omega\pi} (Z^2\cos(k\omega\pi + \varphi)\cos((k+1)\omega\pi + \varphi) - \sin(k\omega\pi + \varphi)\sin((k+1)\omega\pi + \varphi))^2,$$

hence P_3 has no real solution. In other terms, the function H_ξ does not have local extrema inside \mathcal{T}_\pm , hence it reaches its maximum on the border of \mathcal{T}_\pm .

Now observing that

$$\frac{\partial H_\xi(T, 0)}{\partial T} = 1 - RW_{k+1} - RW_k \quad (4.75)$$

is a constant, one deduces that $H_\xi(T, 0)$ is maximum at one of the end points of the segment $\Delta = 0$. ■

Let us underline that the derivative of H_ξ is constant neither on the segment $T = 0$ nor on the hypotenuse $T \pm \Delta = \min(\tau_0, 2\pi - \tau_0)$. For instance one can show that $H_\xi(0, \Delta)$ has a maximum h_1 for a value Δ_0 which is a root of a polynomial of degree 4. We did not manage to find a simpler expression for Δ_0 , neither we did for the maximum h_2 of H_ξ on the hypotenuse. Hence, unless numerically specifying k, τ_0, z_ξ and φ , it seems difficult to compare h_2 and h_1 and go beyond corollary 4.6.

**Here we used Mathematica

4.3 Discussion

Equatorial versus non equatorial states

In case ξ is an equatorial state, i.e. $z_{\xi_{\text{eq}}} = 0$, corollary 4.6 and 4.4 indicates that H_ξ attains its maximum at the point $(T, \Delta) = (0, 0)$. Thus

$$d(\xi_x, \zeta_y) = X \doteq H_\xi(0, 0) = RW_{k+1}\tau_0 + RW_k(2\pi - \tau_0). \quad (4.76)$$

To make the link with [9], note that corollary 4.4 alone yields

$$d(\xi_x, \zeta_y) = \max_{\substack{(T, \Delta) \in \mathcal{T}_\pm \\ \Delta=0}} (X + TY) \quad (4.77)$$

where

$$Y \doteq \frac{\partial H_\xi(T, 0)}{\partial T}$$

given by (4.75). This is nothing that proposition V.4 of [9]. In the statement of this proposition we did not insist on the restriction to equatorial states^{††} (specifically we did not replace R by its value 1) because we hoped the result would still be true for non vanishing z_ξ . Instead the present work shows that the spectral distance depends on z_ξ on a non-trivial manner. Now, putting $R = 1$ yields $Y \leq 0$ since $|\sin \omega\pi| \leq |\sin(k+1)\omega\pi| + |\sin k\omega\pi|$ hence (4.76).

For non equatorial states Y can be positive and there is no further conclusion than corollary 4.6.

The shape of the fiber

When $\tau_0 = 0$, i.e. when $\zeta_y = \zeta_x$ belongs to the fiber of ξ_x , \mathcal{T}_\pm reduces to the single point 0 and

$$d(\xi_x, \xi_y) = 2\pi RW_k = \frac{2\pi R}{|\sin \omega\pi|} \left| \sin \frac{\Xi}{2} \right| \quad (4.78)$$

where we parametrize the fiber over x by

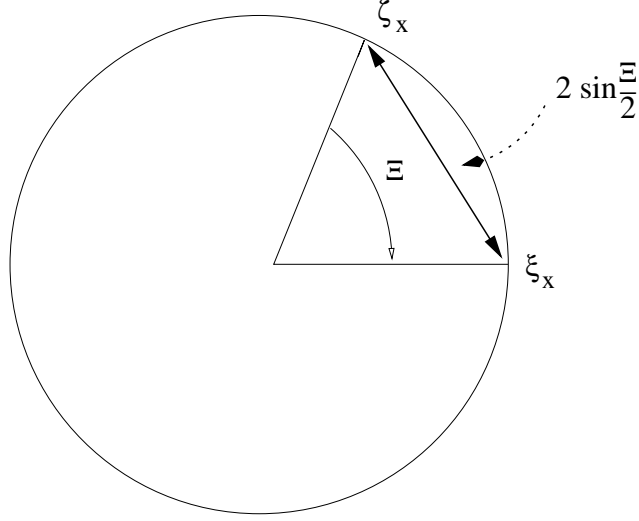
$$\Xi \doteq 2k\omega\pi + \varphi.$$

We retrieve formula (134) of [9] which, as already mentioned there, is valid also for non equatorial state. In [10,11] we give an interpretation of this result saying that for an intrinsic metric point of view, the S^1 fiber over x equipped with the spectral distance has the shape of a cardioid. In fact (4.78) can also be viewed as the length of the straight segment inside the circle*. Therefore the spectral distance appears as the geodesic distance *inside* the disk, in the same way that in the two-sheets model⁹ the spectral distance coincides with a geodesic distance *within* the two sheets. Say differently, the spectral distance coincides with the geodesic distance of a manifold M' whose boundary is the set of pure states of \mathcal{A} . Of course it is appealing to identify M' to the set of all states of \mathcal{A} (i.e. all convex combinations of pure states) but this idea does not survive here since the convex combination ρ of ξ_x, ξ_y ,

$$\begin{pmatrix} \rho_1 \\ \rho_2 \end{pmatrix} = \lambda \begin{pmatrix} \xi_1 \\ \xi_2 \end{pmatrix} + (1 - \lambda) \begin{pmatrix} \zeta_1 \\ \zeta_2 \end{pmatrix}$$

^{††}In the published version this point is however clearly indicated at the beginning of the section, (eq. 61, op.cite). On the arXiv version the restriction is recalled in the statement of the proposition.

*This has been pointed out by the audience, during a talk given at Toulouse university.



has an altitude z_ρ that does not equal $z_\xi = z_\zeta$. In other terms the straight segment $[\xi_x, \zeta_x]$ inside T_ξ does not coincides with the convex combination $\lambda\xi + (1 - \lambda)\zeta$. We deserve to further work a better comprehension of this observation.

5 Spectral distance on the circle with a $\mathbb{C}P^{n-1}$ fiber

Let us now investigate the general case

$$\mathcal{A} = C^\infty(M, M_n(\mathbb{C}))$$

for arbitrary integer $n \in \mathbb{N}$. \mathbb{T}_ξ is now an n -torus and instead of (4.3) one deals with equivalence classes of $(n + 1)$ -tuples

$$(k \in \mathbb{N}, 0 \leq \tau_0 \leq 2\pi, 0 \leq \varphi_i \leq 2\pi) \sim (k + \mathbb{Z}, \tau_0, \varphi_j - 2\mathbb{Z}\omega_j\pi) \quad (5.1)$$

with

$$\omega_j \doteq \frac{\Theta_1(2\pi) - \Theta_j(2\pi)}{2\pi} \quad \forall j \in [2, n] \quad (5.2)$$

such that ζ_y in \mathbb{T}_ξ writes

$$\zeta_y = \begin{pmatrix} V_1(\tau) \\ e^{i\varphi_j} V_j(\tau) \end{pmatrix} \quad (5.3)$$

where $\tau \doteq 2k\pi + \tau_0$. As soon as $n > 2$ there is no longer correspondence between the fiber of P and a sphere, however in analogy with (4.32) we write

$$V_j = \sqrt{\frac{R_j}{2}} e^{i\theta_j^0} \quad (5.4)$$

where $R_j \in \mathbb{R}^+$, $\theta_j^0 \in [0, 2\pi]$.

The simplifications relying on the choice of S^1 as a base, namely lemma 4.3, still hold for $n \geq 2$:

Lemma 5.1 *Whatever $\zeta_y \in \mathbb{T}_\xi$, the supremum in computing $d(\xi_x, \zeta_y)$ can be searched on selfadjoint elements a whose diagonal part a_1 vanishes as x and whose components a_{ii} satisfy (4.16). The non-diagonal components a_{ij} can be written*

$$a_{ij} = g_{ij} e^{-i\Theta_{ij}} \quad (5.5)$$

with Θ_{ij} defined in (3.15) and

$$g_{ij}(\tau) = g_{ij}^0 + \int_0^\tau \rho_{ij}(u) e^{i\phi_{ij}(u)} du \quad (5.6)$$

where - for each couple of indices (i, j) - the real positive normalized smooth function ρ_{ij} , the real smooth function ϕ_{ij} and the complex constant g_{ij}^0 satisfy equations (4.20) and (4.21).

Proof. The vanishing of a_1 and the boundary values of the a_{ii} 's are obtained like in lemmas 4.2 and 4.3. The properties of the non-diagonal components are obtained like in 4.3, except that one has to begin with $(e_i + e_j)a(e_i + e_j)$ instead of a , where e_i denotes the i^{th} eigenprojector of the connection 1-form A . ■

For explicit computation, we restrict in the following to a given fiber, say the one over $x \in S^1$. In other words we consider only those $\zeta_y = \zeta_x$ given by (5.1) with $\tau_0 = 0$.

Proposition 5.2 *Given a pure state $\zeta_x = (k, 0, \varphi_j) \in \mathbb{T}_\xi$, either ζ_x does not belongs to the connected component \mathbb{U}_ξ and*

$$d(\xi_x, \zeta_x) = +\infty \quad (5.7)$$

or $\zeta_x \in \mathbb{U}_\xi$ and

$$d(\xi_x, \zeta_x) = \pi \text{Tr} |S_k| \quad (5.8)$$

where $|S_k| = \sqrt{S_k^* S_k}$ and S_k is the matrix with components

$$S_{ij}^k \doteq \sqrt{R_i R_j} \frac{\sin \left(k\pi(\omega_j - \omega_i) + \frac{\phi_j - \phi_i}{2} \right)}{\sin \pi(\omega_j - \omega_i)} \quad (5.9)$$

where ω_i is defined in (5.2).

Proof. Staying within the same fiber, by lemma 5.1 the supremum can be searched on elements a whose diagonal part a_1 vanishes. Therefore (4.9) with ζ_y given by (5.3), together with (5.4) and (5.2) yield

$$\Delta_\xi(a) = \sum_{i,j=1}^n \frac{\sqrt{R_i R_j}}{2} \left(a_{ij}(x) e^{i(\theta_j^0 - \theta_i^0)} \left(e^{2ik\pi(\omega_j - \omega_i)} e^{i(\varphi_j - \varphi_i)} - 1 \right) \right). \quad (5.10)$$

For any couple of directions i, j far from each other, $\omega_i = \omega_j$ so that the corresponding term in (5.10) either vanishes if $\varphi_i = \varphi_j$, or can be made infinite if $\varphi_i \neq \varphi_j$ since g_{ij}^0 is no longer constrained by (4.21). In this case $\zeta_x \notin \mathbb{U}_\xi$ by definition (see (3.24)), hence (5.7). Consequently (5.10) reduces to a sum on couples of close directions. Then (5.6) together with (4.21) yield

$$a_{ij}(x) = g_{ij}^0 = \frac{1}{2i} \frac{e^{-i\pi(\omega_j - \omega_i)}}{\sin \pi(\omega_j - \omega_i)} \int_0^{2\pi} \rho_{ij}(u) e^{i\phi_{ij}(u)} du \quad (5.11)$$

and (5.10) rewrites

$$\Delta_\xi(a) = \frac{1}{2} \sum_{i,j=1}^n S_{ij}^k \int_0^{2\pi} \rho_{ij}(u) e^{i\phi_{ij}^{k-1}(u)} du \quad (5.12)$$

where S_{ij}^k is defined in (5.9) and

$$\phi_{ij}^k \doteq \phi_{ij} + k\pi(\omega_j - \omega_i) + \theta_j^0 - \theta_i^0 + \frac{\varphi_j - \varphi_i}{2}. \quad (5.13)$$

Calling Γ the matrix with components $\rho_{ij} e^{i\phi_{ij}^{k-1}}$,

$$\Delta_\xi(a) = \frac{1}{2} \int_0^{2\pi} \text{Tr} (S^k \Gamma(u)). \quad (5.14)$$

For a whose vanishing diagonal and off-diagonal given by (5.5) the commutator norm condition is easily computed thanks to (3.26),

$$\|[\mathcal{D}, a]\| = \left\| \begin{pmatrix} 0 & \rho_{ij} e^{i\phi_{ij}} e^{i(\Theta_j - \Theta_i)} \\ \rho_{ij} e^{-i\phi_{ij}} e^{-i(\Theta_j - \Theta_i)} & 0 \end{pmatrix} \right\| \leq 1. \quad (5.15)$$

Introducing the diagonal matrix E with components

$$E_{ii} = e^{i(\Theta_i - (k-1)\pi\omega_i - \theta_i^0 - \frac{\varphi_i}{2})},$$

one observes that

$$\Gamma = E[\mathcal{D}, a]E^*$$

hence $\|\Gamma(u)\| \leq 1$ for any $u \in [0, 2\pi]$. Back to (5.14),[†]

$$\text{Tr} (S_k \Gamma(u)) \leq \text{Tr} |S_k|.$$

Hence

$$\Delta_\xi(a) \leq \pi \text{Tr} |S_k|. \quad (5.16)$$

This upper bound is reached by the diagonal constant matrix Γ whose components in the basis that diagonalizes S_k (with corresponding indices μ, ν) are

$$\Gamma_{\mu\mu} = \text{sign } S_{\mu\mu}^k$$

and ϕ_{ij} the constant function

$$\phi_{ij}(u) = (k-1)\pi(\omega_i - \omega_j) + \theta_i^0 - \theta_j^0 + \frac{\varphi_i - \varphi_j}{2}. \quad (5.17)$$

■

To check consistency with the $n = 2$ case, note the following correspondence

$$\omega \text{ in (4.4) reads } \omega_2 \text{ in (5.2) ,} \quad (5.18)$$

$$\varphi \text{ in (4.3) reads } \varphi_2 \text{ in (5.3),} \quad (5.19)$$

$$\theta_0 \text{ in (4.75) reads } \theta_1^0 - \theta_0^2 \text{ in (5.4),} \quad (5.20)$$

$$\omega_1 = \varphi_1 = 0 \quad \text{and} \quad R_1 = R_2 = R, \quad (5.21)$$

[†]Writing α, β the components of the matrices within the basis that diagonalizes Γ ,

$$\text{Tr} (S_k \Gamma(u)) = \sum_{\alpha} S_{\alpha\alpha}^k \Gamma_{\alpha\alpha}(u) \leq \sum_{\alpha} |S_{\alpha\alpha}^k| \|\Gamma\| = \text{Tr} |S_k|$$

the latest coming from the requirement that the directions in the $n = 2$ case are close to each other. Within this correspondence, all the quantities without indices used in the proof of proposition 4.5 corresponds to the quantities with indices 12 in the above proof. For instance ϕ_{12} in (5.17) equals Φ_k in (4.59) as expected from (4.60). This allows to check the coherence of our results: for $n = 2$

$$\text{Tr } |S_k| = 2|S_{12}^k| = 2R \frac{|\sin k\pi\omega + \frac{\varphi}{2}|}{|\sin \omega\pi|}$$

so that

$$d(\xi_x, \zeta_x) = 2\pi R \frac{|\sin k\pi\omega + \frac{\varphi}{2}|}{|\sin \omega\pi|} \quad (5.22)$$

as expected from proposition 4.5. Indeed when $\tau_0 = 0$ the domains \mathcal{T}_\pm reduce to the origin and (4.29) reduces to (5.22).

6 Conclusion and outlook

Let us conclude on the three generalizations of [9] presented in this paper:

- the connected component of the spectral distance for arbitrary dimension n and arbitrary connection maintains the interesting features of the $n = 2$ case. With respect to the horizontal distance, the spectral distance seems to have some transverse properties that could be relevant in a foliation framework.

- the explicit formula of the distance on all the connected component when $n = 2$ shows a non-trivial dependence on z_ξ . This is quite unexpected.

- the explicit formula on the fiber for arbitrary n is remarkably simple. We deserve its interpretation to further work. Especially it would be interesting to see whether or not the trace of $|S|$ corresponds to some riemannian distance *within* a torus, as in the $n = 2$ case. In any case the link between the circle and the disk from the spectral metric point of view has to be studied further. Remember that the spectral distance associated to $M_2(\mathbb{C})$ only is the euclidean distance on the circle⁵, while here we find the euclidean distance on the disk. Why considering the circle as a base rather than a point allows the distance to see through the disk ?

On the circle the difference between the horizontal and the spectral distances is due to the topology of the base. It would be interesting to study local properties in order to see how the curvature enters the game. The question for sub-riemannian geometry (how to minimize the number of self-intersecting points on a minimal horizontal curve ?) may prevent to go very far in this direction. Nevertheless one can hope to obtain interesting non trivial results for base more complicated than S^1 but for which the horizontal distance is still tractable, for instance tori.

Finally, from a more physicist point of view, simple examples of the spectral distance for finite dimensional algebra have been quantized^{15,1}. A similar procedure for covariant Dirac operator would be of great interest.

Acknowledgments: Work partially supported by EU Marie Curie fellowship EIF-025947-QGNC.

References

- ¹ F. Besnard, *Canonical quantization and the spectral action, a nice example*, J. Geom. Phys. XXX, gr-qc/0702049.
- ² A. Connes, *Noncommutative geometry*, Academic Press (1994).
- ³ A. Connes, *Gravity Coupled with Matter and the Foundation of Noncommutative Geometry*, Commun. Math. Phys. **182** (1996) 155–176, hep-th/9603053.
- ⁴ A. Connes, J. Lott, *The metric aspect of noncommutative geometry*, proceedings of 1991 Cargèse summer conference, ed. by J. Fröhlich et al. (Plenum, New York 1992).
- ⁵ B. Iochum, T. Krajewski, P. Martinetti, *Distance in finite spaces from non commutative geometry*, Journ. Geom. Phys. **37** (2001) 100–125 , hep-th/9912217.
- ⁶ R. V. Kadison, *Fundamentals of the theory of operator algebras*, Academic Press (1983).
- ⁷ D. Kastler, D. Testard, *Quantum forms of tensor products.*, Commun. Math. Phys. **155** (1993) 135–142.
- ⁸ S. Kobayashi, K. Nomizu, *Foundations of differential geometry*, Interscience (1963).
- ⁹ P. Martinetti, *Carnot-Carathéodory metric and gauge fluctuations in non commutative geometry*, Comm. Math. Phys. **265** (2006) 585-616, hep-th/0506147.
- ¹⁰ P. Martinetti, *Smoother than a circle, or how noncommutative geometry provide the torus with an egocentred metric*, proceedings of Deva int. conf. on differential geometry and physics, Cluj University press (2006), Romania, hep-th/0603051.
- ¹¹ P. Martinetti, *Carnot-Carathodory metric vs gauge fluctuation in noncommutative geometry*, proceedings of the intl. conf. on high energy and mathematical physics of Marrakech, African Journal of Mathematical physics 3 (2006) 157-162.
- ¹² P. Martinetti, R. Wulkenhaar, *Discrete Kaluza Klein from scalar fluctuations in non commutative geometry*, J.Math.Phys. **43** (2002) 182-204, hep-th/0104108.
- ¹³ R. Montgomery, *A tour of subriemannian geometries, their geodesics and applications*, AMS (2002).
- ¹⁴ W. Rudin, *Real and complex analysis*, McGraw-Hill (1987).
- ¹⁵ C. Rovelli, *Spectral noncommutative geometry and quantization: a simple example*, Phys.Rev.Lett. 83 (1999) 1079-1083, gr-qc/9904029.
- ¹⁶ F. J. Vanhecke, *On the product of real spectral triples*, Lett. Math. Phys. 50 (1999), no. 2, math-ph/9902029.