

Current tensor with heavy photon for hard pair production by longitudinally polarized electron

M.Konchatnij, N.P.Merenkov, O.N.Shekhovzova

Institute of Physics and Technology, Kharkov, 310108, Ukraine

Abstract

The electron current tensor for the scattering of heavy photon on longitudinally polarized electron accompanied with additional hard electron–positron pair has been considered. The contribution of collinear and semicollinear kinematics is computed. The full analysis of both, spin–independent and spin–dependent parts of electron current tensor, is performed. The obtained result allows to calculate the corresponding contribution into the second order radiative correction to cross–sections of different processes with the next–to–leading accuracy.

1 Introduction

The recent polarized experiments on deep inelastic scattering [1, 2] cover the kinematical region of the Bjorken variable $y \simeq 0.9$, where the electromagnetic corrections to the cross–section are extremely large. The corresponding first–order QED correction due to single real and virtual photon emission have been computed in [3, 4], and this correction at large values of variable y is of the order the Born cross–section. Therefore, the calculation of the second–order QED correction becomes very important for interpretation of these experiments in terms of hadron structure functions.

The DIS cross–section in general case can be represented as a product of the electron current tensor (ECT) and the hadron one [5]. The ECT is model–independent and universal, while the hadron one depends on used model for description of hadron and has its own specification for different processes, event selection and so on. That is why it is very important to calculate the universal quantity ECT with maximal possible accuracy, because it can be applied to many processes in scattering and annihilation channels.

The first steps in calculation of the second–order QED correction to the ECT were done in [6, 7]. In [6] the one–loop corrected Compton tensor with a heavy photon was calculated in the limited case $m = 0$, where m is the electron mass. Such kind of approximation does not take into account all contribution with next–to–leading accuracy if radiated photon is not observed. In [7] the ECT due to hard double–photon emission have been derived keeping the electron mass finite and taking into account the contributions of collinear and semicollinear kinematics. Just such kind of approximation allows to keep all next–to–leading terms for the case of unobserved photons.

Except an additional contribution into ECT due to virtual and real soft double–photon emission and e^+e^- –pair production, there is the contribution due to hard pair production, and in this work we calculate it with the same accuracy as it was done in [7] for hard double–photon emission.

In the Born approximation the ECT with longitudinally polarized electron has the form

$$L_{\mu\nu}^B = Q_{\mu\nu} + i\lambda E_{\mu\nu}, \quad Q_{\mu\nu} = -4(p_1 p_2) g_{\mu\nu} + 4p_{1\mu} p_{2\nu} + 4p_{1\nu} p_{2\mu}, \quad (1)$$

$$E_{\mu\nu} = 4\epsilon_{\mu\nu\rho\sigma} p_{1\rho} p_{2\sigma},$$

where $p_1(p_2)$ is the 4-momentum of the initial (final) electron, and λ is the doubled initial electron helicity. (The value λ equals 1 (or -1) if the initial electron is polarized along (against) its 3-momentum direction).

Here we consider the corrections to the tensor $L_{\mu\nu}^B$ due to pair production in the scattered

$$e^-(p_1) + \gamma^*(q) \rightarrow e^-(p_2) + e^+(p_+) + e^-(p_-) \quad (2)$$

or annihilation

$$e^-(p_1) + e^+(p_2) \rightarrow \gamma^*(q) + e^-(p_-) + e^+(p_+)$$

processes under the condition

$$|q^2|, (p_1 p_2) \gg m^2$$

in collinear and semicollinear kinematics. The corresponding calculations for unpolarized case were performed in part for DIS [8,9] as well as for small- and large-angle Bhabha scattering [10,11] processes on the level of cross-sections. Some other aspects of QED corrections due to pair production are discussed also in [12, 13, 14, 15]. For definiton, we will investigate the scattering channel, and, to obtain the corresponding result for the annihilation one, it needs to substitute $-p_2$ instead of p_2 .

The paper is organized as follows. In Section 2 we consider the contribution due to collinear kinematics. There are two collinear kinematical regions: *a*) – when created pair is emitted along the initial electron momentum direction ($\vec{p}_+, \vec{p}_- \parallel \vec{p}_1$), and *b*) – when created pair flies along the final one ($\vec{p}_+, \vec{p}_- \parallel \vec{p}_2$). In collinear regions both, photon and fermion propagator denominators (PD) of underlying essential Feynman diagrams, can be small. The corresponding contribution into ECT can be expressed in terms of symmetrical tensor $Q_{\mu\nu}$ and antisymmetrical tensor $E_{\mu\nu}$ in the same manner as it was done in [7] for double-photon emission process. In Section 2.1 we calculate the ECT in the region *a*), and in Section 2.2 – in the region *b*).

In Section 3 we investigate the ECT in semicollinear kinematics. Only photon PD's of Feynman diagrams can be small in this case, and under the considered here conditions there are three different semicollinear regions [8]: ($\vec{p}_- \parallel \vec{p}_1$), ($\vec{p}_- \parallel \vec{p}_+$), and ($\vec{p}_+ \parallel \vec{p}_2$). The corresponding contributions into ECT we calculate in Sections 3.1, 3.2 and 3.3, respectively. The structure of the ECT in semicollinear regions is more complicated as compared with collinear ones. We demonstrate the elimination of the angular auxiliary parameters used to define collinear regions *a*) and *b*) in sum of contributions due to collinear and semicollinear kinematics on the level of next-to-leading accuracy. The starting-points of our calculations given in Appendix. The main obtained results are formulated briefly in Conclusion.

2 Investigation of collinear kinematics

As we noted in Introduction in collinear region both, photon and electron propagator denominators of underlying Feynman diagrams, can be small. Because of used restriction on the mass of the heavy photon and registration condition for the scattered electron only six from the whole eight diagrams set are essential. These diagrams are shown on Fig.1.

The amplitudes which correspond to every set of diagrams: (1,2), (3,4) and (5,6) on the Fig.1 are gauge invariant, therefore it is convenient to not separate these pairs at calculation. We will refer to them as (1,2) set and so on.

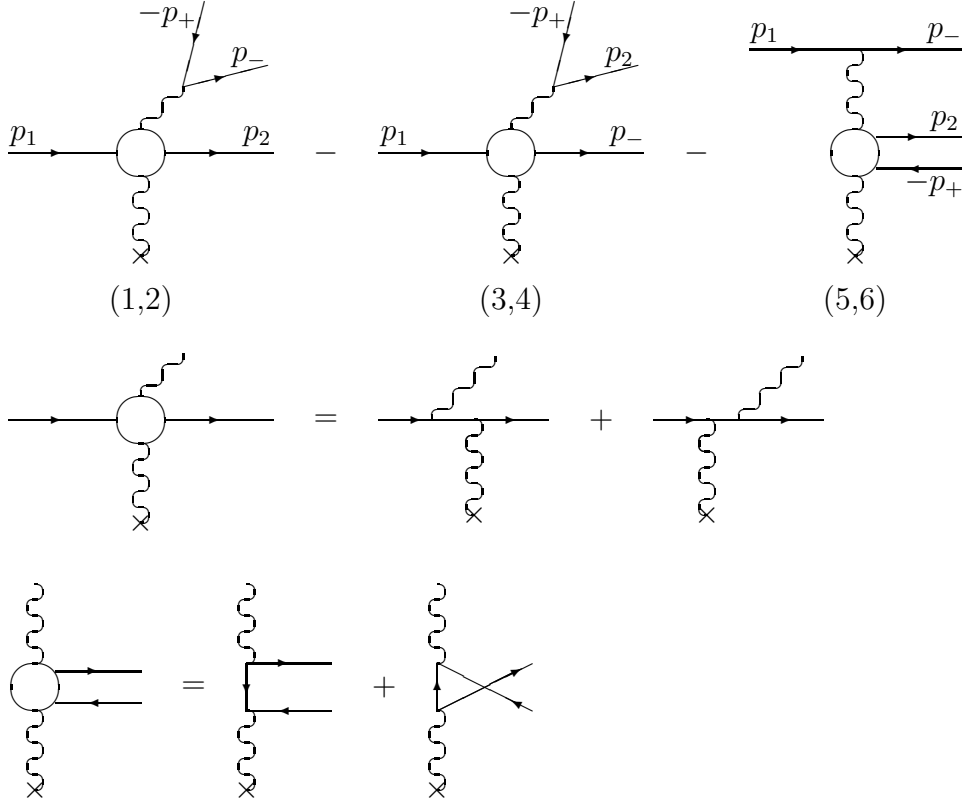


Figure 1: The essential Feynman diagrams that contribute at $|q^2|, |u| \gg m^2$ in the collinear kinematics. Every set of diagrams is gauge invariant relative to the heavy photon. The signs before sets are defined by the Fermi statistics for permutation of the final fermion states.

2.1 The contribution of the region a)

In the region a) the (1,2) and (5,6) sets contribute. We will define the limiting angle θ_0 in this region such as

$$\theta_1, \theta_2 \leq \theta_0, \quad (\varepsilon\theta_0/m)^2 = z_0 \gg 1, \quad (3)$$

where $\theta_1(\theta_2) = \widehat{\vec{p}_1\vec{p}_+}(\widehat{\vec{p}_1\vec{p}_-})$ and ε is the initial electron energy. For the kinematical invariants which correspond to the small propagator denominators in essential Feynman diagrams we introduce the following parametrization [8]

$$a = \frac{(p_+ + p_-)^2}{m^2} = \frac{1}{x_1 x_2} [(x_1 + x_2)^2 + x_1^2 x_2^2 (\vec{n}_1 - \vec{n}_2)^2], \quad a_1 = \frac{2(p_1 p_+)}{m^2} = \frac{1}{x_1} (1 + x_1^2 + x_1^2 \vec{n}_1^2),$$

$$a_2 = \frac{2(p_1 p_-)}{m^2} = \frac{1}{x_2} (1 + x_2^2 + x_2^2 \vec{n}_2^2), \quad \Delta = \frac{(p_1 - p_- - p_+)^2 - m^2}{m^2} = a - a_1 - a_2, \quad (4)$$

$$x_1 = \frac{\varepsilon_+}{\varepsilon}, \quad x_2 = \frac{\varepsilon_-}{\varepsilon}, \quad |n_i| = \frac{\varepsilon\theta_0}{m}, \quad q_a = y p_1 - p_2, \quad y = 1 - x_1 - x_2,$$

where ε_+ (ε_-) is the created positron (electron) energy, and \vec{n}_1, \vec{n}_2 are two-dimensional vectors perpendicular to direction of the 3-momentum \vec{p}_1 .

We will define the ECT as a product of the created electron-positron pair phase space and the trace-tensor of the corresponding tensor diagram (TD) given on Fig.2

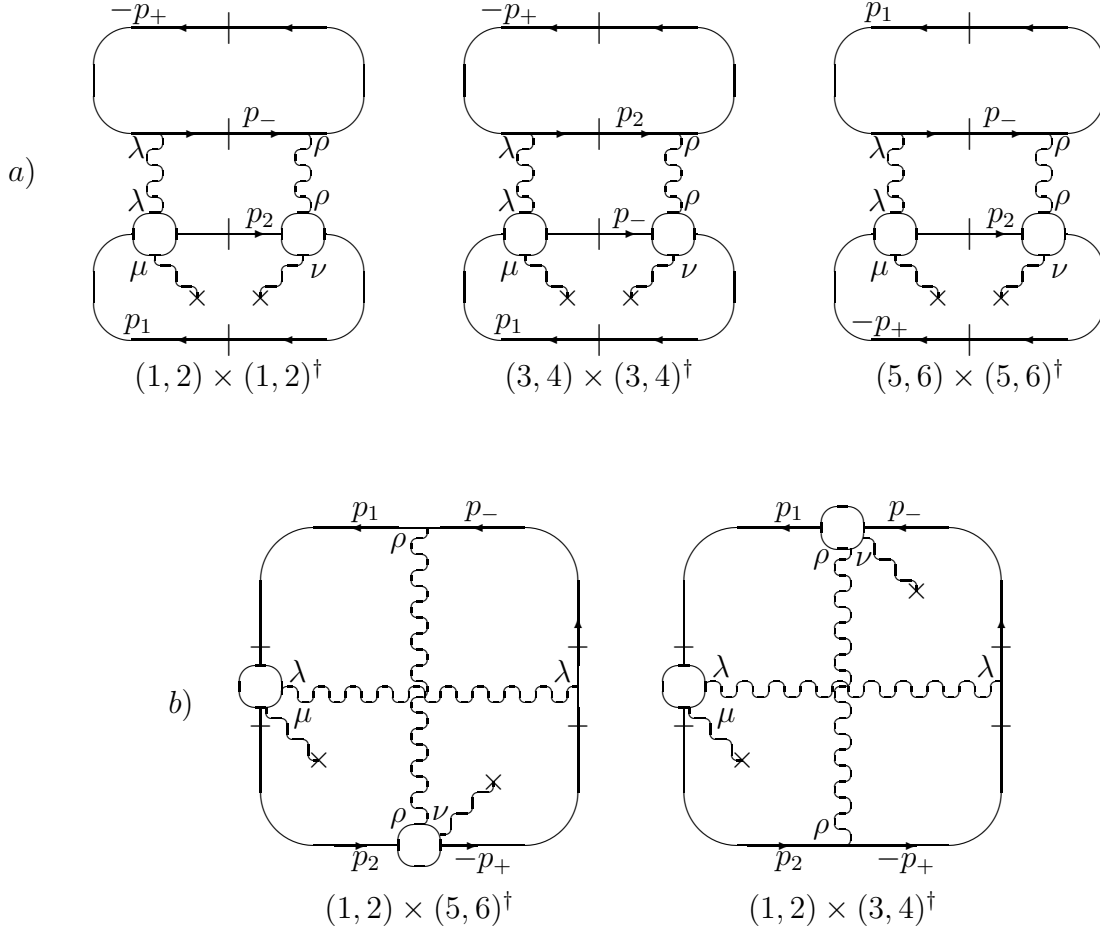


Figure 2: Diagrams for the electron current tensor (TD). Topological class *a*) is responsible for the contributions of (1,2), (3,4), and (5,6) sets, that appear in both collinear and semicollinear kinematical regions. Topological class *b*) describes the interference between (1,2) set and (3,4) as well as (5,6) ones. The latter class contributes in collinear kinematics only within the chosen accuracy.

$$L_{\mu\nu} = \left(\frac{\alpha}{4\pi^2}\right)^2 \frac{d^3p_+ d^3p_-}{\varepsilon_+ \varepsilon_-} T_{\mu\nu} , \quad (5)$$

where the starting–points for calculation of the tensor $T_{\mu\nu}$ are defined in Appendix in terms of the corresponding matrix element squared. In the region *a*) the created pair phase space can be written by means of the used in (3) variables as follows

$$\frac{d^3p_+ d^3p_-}{\varepsilon_+ \varepsilon_-} = m^4 \pi^2 x_1 x_2 dx_1 dx_2 dz_1 dz_2 \frac{d\phi}{2\pi} , \quad z_{1,2} = \frac{\varepsilon^2 \theta_{1,2}^2}{m^2} , \quad (6)$$

where ϕ is the angle between vectors \vec{n}_1 and \vec{n}_2 .

When calculating tensor $T_{\mu\nu}$ we have to leave terms with m^4 in the denominator and neglect with terms of the order m^{-2} . Such approach allows, in principle, to compute the quantity $L_{\mu\nu}$ with the power accuracy relative parameter z_0 neglecting only with terms of the order $O(z_0^{-1})$.

In the region *a*) it is convenient to separate the contributions of (1,2) and (5,6) sets and their interference

$$T_{\mu\nu}^{(a)} = \frac{16}{m^4} [T_{\mu\nu}^{(12)} + T_{\mu\nu}^{(56)} + T_{\mu\nu}^{(int)}] .$$

The tensor $T_{\mu\nu}^{(12)}$ can be written as follows

$$T_{\mu\nu}^{(12)} = \left\{ -\frac{1}{a^2\Delta^2} \left[\frac{2y}{(1-y)^2} (x_2 a_1 - x_1 a_2)^2 + 4ay + 2(1-y)\Delta \right] + \frac{2x_1 x_2}{\Delta^2(1-y)^2} - \frac{1+y}{a\Delta(1-y)} \right. \quad (7)$$

$$\left. - \frac{1}{a\Delta^2(1-y)^2} [y(1-y)(x_1 - x_2)(a_1 - a_2) + 2x_1 x_2(1+y)(a_1 + a_2)] \right\} (Q_{\mu\nu} + i\lambda E_{\mu\nu})$$

$$- \frac{i\lambda}{a^2\Delta^2} [2a((1-y)^2 - 2x_1 x_2) + 4(1-y)^2] E_{\mu\nu} .$$

It needs to emphasize that the last term on the right side of Eq.(7) does not give the large logarithm being integrated over the angular phase space of the created pair. Therefore, in the frame of leading and next-to-leading accuracy both tensor structure, $Q_{\mu\nu}$ and $i\lambda E_{\mu\nu}$, are multiplied by the same function. Consequently, with the such accuracy here we can use the result of the corresponding calculations for unpolarized case [8,9] where only $Q_{\mu\nu}$ structure appears.

As concerns the tensor $T_{\mu\nu}^{(5,6)}$, its symmetrical spin-independent part can be obtained from the corresponding part of $T_{\mu\nu}$ by the rule

$$sym\{T_{\mu\nu}^{(56)}\} = -x_1 \hat{P} sym\{T_{\mu\nu}^{(12)}\} , \quad (8)$$

where the substitution operator \hat{P} acts as follows

$$\hat{P}(x_1, x_2, \vec{n}_1, \vec{n}_2) \rightarrow (x_1, -\frac{x_2}{x_1}, x_1 \vec{n}_1, x_1(\vec{n}_1 - \vec{n}_2)) . \quad (9)$$

It easy to verify that

$$\hat{P}(a_1, a, a_2) \rightarrow (a_1, 2 - a_2, 2 - a) .$$

The rule (9) reflects the obvious topological equivalence of TD for (1,2) and (5,6) sets in unpolarized case as it follows from the Fig.2a (see also [9]).

Unfortunately, we cannot use this rule to obtain the antisymmetrical spin-dependent part of the tensor $T_{\mu\nu}^{(56)}$. On the level of TD of Fig.2 we can explain this fact because for the (1,2) set the polarised particle enters to the lower block while for the (5,6) set – to the upper one. It is obvious that conditions for the polarized particle are different in lower and upper blocks.

The straightforward calculations leads to the following expression

$$T_{\mu\nu}^{(56)} = S^{(56)} Q_{\mu\nu} + A^{(56)} i\lambda E_{\mu\nu} , \quad (10)$$

where

$$S^{(56)} = -\frac{2y}{(2-a_2)^2} \left(\frac{a_1}{\Delta} + \frac{1}{1-x_2} \right)^2 - \frac{1}{\Delta(2-a_2)} \left(x_1 - y - \frac{2(1-x_1+x_1^2)}{1-x_2} \right) - \frac{y}{\Delta^2} + \frac{2ya_1}{\Delta^2(2-a_2)} \quad (11)$$

$$+ \frac{2(1-x_2)}{\Delta(2-a_2)^2} - \frac{4y}{\Delta^2(2-a_2)} ,$$

$$A^{(56)} = -\frac{1}{\Delta(2-a_2)(1-x_2)} (1-x_2+x_2(x_1-y)) + \frac{y}{\Delta^2} - \frac{2ya_1}{\Delta^2(2-a_2)} - \frac{2(1-x_2)(x_1-y)}{\Delta(2-a_2)^2} \quad (12)$$

$$- \frac{2[2(1-x_1) - (1-y)(1-x_2)]}{\Delta^2(2-a_2)} - \frac{4(1-x_2)^2}{\Delta^2(2-a_2)^2} .$$

We see that in contrast with the contribution of (1,2) set, for which the structures $Q_{\mu\nu}$ and $i\lambda E_{\mu\nu}$ are accompanied by the same function up to next-to-leading accuracy, quantities $S^{(56)}$ and $A^{(56)}$

on the right side of Eq.(10) are quite different. As we will see below this difference affects yet in leading approximation.

The interference of (1,2) and (5,6) sets (see TD Fig.2b) can be written as follows

$$T_{\mu\nu}^{(int)} = S^{(int)}(Q_{\mu\nu} + i\lambda E_{\mu\nu}) + A^{(int)}i\lambda E_{\mu\nu} , \quad (13)$$

$$\begin{aligned} S^{(int)} = & -\frac{1}{a\Delta}[2x_2 + (yx_1 - x_2)(\frac{1}{1-x_2} + \frac{1}{1-y})] - \frac{1}{\Delta(2-a_2)}[2x_2 \\ & + (y - x_1x_2)(\frac{1}{1-x_2} + \frac{1}{1-y})] - \frac{1}{a(2-a_2)}[-\frac{2x_1x_2}{(1-x_2)(1-y)} \\ & + x_2(1+x_1)(\frac{1}{1-x_2} + \frac{1}{1-y}) - 2x_2] - \frac{2ya_1}{\Delta^2}(\frac{1}{a} + \frac{1}{2-a_2}) \\ & - \frac{2(yx_2 - x_1)}{\Delta a(2-a_2)}(\frac{1}{1-x_2} - \frac{1}{1-y}) - \frac{4y}{\Delta^2}(\frac{1}{a} + \frac{1}{2-a_2}) + \frac{8y}{a\Delta^2(2-a_2)} , \end{aligned} \quad (14)$$

$$\begin{aligned} A^{(int)} = & -\frac{2(1-y)}{a\Delta(2-a_2)}(2x_1 - x_2 + 3x_2^2) - \frac{2}{\Delta^2(2-a_2)}(x_1 - x_2 + 2x_1^2 + 3x_2(1-y)) \\ & + \frac{2(1-y)^2}{a\Delta^2}(3 - \frac{4}{2-a_2}) . \end{aligned} \quad (15)$$

The quantity $S^{(int)}$ is invariant relative the same operation which transforms tensor $T_{\mu\nu}^{(12)}$ into tensor $T_{\mu\nu}^{(56)}$

$$S^{(int)} = -x_1\hat{P}S^{(int)} , \quad (16)$$

while the quantity $A^{(int)}$ is not invariant.

The last line on the right side of Eq.(14) as well as $A^{(int)}$ does not contribute in the frame of logarithmic accuracy.

The next step in our calculations is the integration of the ECT over angular phase space of the created pair. We use the parametrization (6) and perform the integration over variables z_1 and z_2 from 0 up to z_0 and over ϕ – from 0 up to 2π . In principle, the angular integration can be done with power accuracy, but in this article we restrict ourselves with next-to-leading one. The method of integration suitable for the such approximation is described in [16] and the table of corresponding integrals is given in [8,11]. As we noted above (see Eqs.(7),(13)) at such accuracy the contribution in ECT due to (1,2) set and interference of (1,2) and (5,6) sets on differential level contains the same function at symmetrical and antisymmetrical structures. Therefore, we can write the result of angular integration in the region $a)$ in the form

$$\overline{L_{\mu\nu}^a} = \frac{\alpha^2}{\pi^2}dx_1dx_2 \ln z_0[(Q_{\mu\nu} + i\lambda E_{\mu\nu})\overline{S} + \overline{S}^{(56)}Q_{\mu\nu} + i\lambda\overline{A}^{(56)}E_{\mu\nu}] , \quad (17)$$

where \overline{S} absorbs the results of angular integration of the right sides of Eqs.(7) and (14)

$$\begin{aligned} \overline{S} = & \frac{1+y^2}{(1-y)^4}[\frac{1}{2}(x_1^2 + x_2^2) \ln \frac{z_0x_1^2x_2^2}{y^2} - (x_1 - x_2)^2 + \frac{8yx_1x_2}{1+y^2}] \\ & + 2[-\frac{x_2^2 + y^2}{(1-x_2)(1-y)} \ln \frac{(1-y)(1-x_2)}{yx_2} + \frac{x_1x_2 - y}{(1-x_2)^2} + \frac{yx_1 - x_2}{(1-y)^2}] . \end{aligned} \quad (18)$$

The symmetrical part of the contribution connected with (5,6) set is defined by the formula

$$\overline{S^{(56)}} = \frac{x_1^2 + y^2}{(1-x_2)^4} \left[\frac{1}{2} (1+x_2) \ln \frac{z_0 x_1^2 x_2^2}{y^2} - (1+x_2)^2 + \frac{8y x_1 x_2}{x_1^2 + y^2} \right], \quad (19)$$

and the corresponding antisymmetrical part reads

$$\overline{A^{(56)}} = \frac{(1+x_2)(y-x_1)}{2(1-x_2)^2} \ln \frac{z_0 x_1^2 x_2^2}{y^2} - 3 + \frac{4+6y}{1-x_2} - \frac{8y}{(1-x_2)^2}. \quad (20)$$

Note that coefficient at $Q_{\mu\nu}$ structure on the right side of Eq.(17) is invariant relative substitution

$$(x_1, x_2, z_0) \rightarrow \left(\frac{1}{x_1}, -\frac{x_2}{x_1}, x_1^2 z_0 \right),$$

and that is the consequence of relations (8) and (16).

Because in the region a) the heavy photon 4-momentum q_a depends on the sum of the created electron and positron energy fractions (see (4)) we can integrate the right side of Eq.(17) over the electron (or positron) energy fraction x_2 (or x_1) at fixed $x_1 + x_2 = 1 - y$. The result can be written as follows

$$\tilde{L}_{\mu\nu}^a = \frac{\alpha^2}{\pi^2} dy \ln z_0 [(Q_{\mu\nu} + i\lambda E_{\mu\nu}) \tilde{S} + \tilde{S}^{(56)} Q_{\mu\nu} + i\lambda \tilde{A}^{(56)} E_{\mu\nu}], \quad (21)$$

where

$$\begin{aligned} \tilde{S} = & \frac{1+y^2}{3(1-y)} \ln z_0 + 4(1+y) \ln y \ln(1-y) + \frac{2(3y^2-1)}{1-y} L_{i2}(1-y) - \frac{2}{1-y} \ln^2 y \\ & + \frac{8}{3(1-y)} \ln(1-y) - \frac{20}{9(1-y)}, \end{aligned} \quad (22)$$

$$\begin{aligned} \tilde{S}^{(56)} = & \left[\frac{1-y}{6y} (4+7y+4y^2) + (1+y) \ln y \right] \ln z_0 + \frac{2}{3} (-4y^2 - 5y + 1 + \frac{4}{y}) \ln(1-y), \\ & + \frac{1}{3} (8y^2 + 5y - 7 - \frac{13}{1-y}) \ln y - \frac{2}{3} y^2 + \frac{136}{9} y - \frac{107}{9} - \frac{4}{3y}, \end{aligned} \quad (23)$$

$$\begin{aligned} \tilde{A}^{(56)} = & \frac{1}{2} [5(1-y) + 2(1+y) \ln y] \ln z_0 + \frac{2}{3} (13 - 17y) \ln(1-y) + \frac{1}{3} (5y - 19 - \frac{13}{1-y}) \ln y \\ & + \frac{196}{9} y - \frac{185}{9}. \end{aligned} \quad (24)$$

Let us pay attention on the leading (double logarithmic) contribution into tensor $\tilde{L}_{\mu\nu}^a$ (the first terms on the right sides of Eqs.(22),(23) and (24)). Terms which enter in Eqs.(22) and (23) are well known as the electron structure function due to pair production [14].

The first one is responsible for nonsinglet channel contribution. It has infrared singularity at $y \rightarrow 1$ and can be obtained by insertion of effective electromagnetic coupling (which is integral of running constant) into so-called Θ -term of the first-order electron structure function [14]. Thus, we see that in nonsinglet channel the spin-independent part of the ECT and spin-dependent one have the same behaviour in the leading approximation. This is true for pair production as well as for photon emission [7] and is the consequence of the helicity conservation in the nonsinglet channel [17].

The second one describes the spin-independent part of the ECT in singlet channel. It has a specific y^{-1} behaviour at small values of y and goes to zero when $y \rightarrow 1$. But the corresponding spin-dependent part of ECT in Eq.(24) is described by quite another structure function

$$\tilde{A}_L^{(56)}(y) = \frac{1}{2}[5(1-y) + 2(1+y)\ln y]\ln^2 z_0, \quad \int_0^1 \tilde{A}_L^{(56)}(y)dy = 0, \quad (25)$$

which as well goes to zero at $y \rightarrow 1$ but has quite different behaviour at small values of y . Therefore, we conclude that in singlet channel spin-independent part of ECT and spin-dependent one are different yet in leading approximation, especially at small y . This effect takes place if created pair concentrated along the polarized electron momentum direction and is absent (as we will see below) if pair flies along unpolarized electron momentum direction.

2.2 The contribution of the region b)

Considering double photon emission by longitudinally polarized electron [7] we saw that in the case when both photons are pressed to the final (unpolarized) electron momentum direction the spin-independent and spin-dependent parts of the ECT have quite the same behaviour with the power accuracy. The analysis performed in this work clarified that analogous situation takes place also for pair production.

We can explain our result by means of TD on Fig.2a. In the collinear region b) the (1,2) and (3,4) sets contribute. As before (in region a) the (1,2) set describes contribution into ECT due to nonsinglet channel, and the (3,4) set now describes the corresponding singlet channel contribution. As we can see from Fig.2 TD's for (1,2) and (3,4) sets go one to another at substitution

$$p_2 \leftrightarrow -p_+ .$$

This substitution does not affect polarized particle with 4-momentum p_1 . That is why the contribution of both, spin-independent and spin-dependent parts of the ECT, for (3,4) set can be obtained (on differential level) from the corresponding contributions due to (1,2) set by means the defined rule by analogy with Eqs.(8),(9). Because in nonsinglet channel both parts of the ECT have the same behaviour, they will be the same in singlet channel too. The interference of nonsinglet channel and singlet one, which contributes with next-to-leading and power accuracy, does not change this conclusion. At this point the principal difference appears between the kinematics a) and b) for pair production by polarized electron.

It is convenient in the region b) to introduce the created electron and positron energy fractions and angles relative to the final electron energy and momentum direction, respectively

$$y_{1,2} = \frac{x_{1,2}}{y_0}, \quad y_0 = \frac{\varepsilon_2}{\varepsilon}, \quad \bar{\theta}_1(\bar{\theta}_2) = \widehat{\vec{p}_+ \vec{p}_2}(\widehat{\vec{p}_- \vec{p}_2}). \quad (26)$$

The corresponding phase space of created pair in terms of these variables reads

$$\frac{d^3 p_+ d^3 p_-}{\varepsilon_+ \varepsilon_-} = \pi^2 m^4 y_1 y_2 dy_1 dy_2 d\bar{z}_1 d\bar{z}_2 \frac{d\phi}{2\pi}, \quad \bar{z}_{1,2} = y_0^2 \frac{\varepsilon^2 \theta_{1,2}^{-2}}{m^2}. \quad (27)$$

We will define the collinear region b) as a cone with the opening angle $2\bar{\theta}_0$ along the scattered electron momentum direction, therefore, the maximal value of $\bar{z}_{1,2}$ is $\bar{z}_0 = y_0^2 \frac{\varepsilon^2 \bar{\theta}_0^2}{m^2} \gg 1$.

According to the mention above we can write tensor $T_{\mu\nu}^b$ (see Eq.(5)) in the form

$$T_{\mu\nu}^b = \frac{16}{m^4} I^b(Q_{\mu\nu} + i\lambda E_{\mu\nu}). \quad (28)$$

In order to derive the quantity I^b we have to at first find the quantity I^a , which is the sum of all contributions accompanied by the structure $Q_{\mu\nu}$ in right sides of Eqs. (7), (10) and (14) and then use the rule

$$I^b = I^a(x_1 \rightarrow -y_2, x_2 \rightarrow -y_1, a_1 \rightarrow -b_2, a_2 \rightarrow -b_1, a \rightarrow a, \Delta \rightarrow d), \quad (29)$$

where

$$b_1 = \frac{1}{y_1}(1 + y_1^2 + y_1^2 \bar{z}_1), \quad b_2 = \frac{1}{y_2}(1 + y_2^2 + y_1^2 \bar{z}_2), \quad d = a + b_1 + b_2.$$

The result of angular integration of the ECT in the region b) can be written as follows (see for comparison Eqs.(17),(18) and (19))

$$\begin{aligned} \overline{L_{\mu\nu}^b} &= \frac{\alpha^2}{\pi^2} dy_1 dy_2 \ln \bar{z}_0 (Q_{\mu\nu} + i\lambda E_{\mu\nu}) \overline{I^b} \\ \overline{I^b} &= \frac{1 + \eta^2}{(\eta - 1)^4} \left[\frac{1}{2} (y_1^2 + y_2^2) \ln \frac{\bar{z}_0 y_1^2 y_2^2}{\eta^2} - (y_1 - y_2)^2 + \frac{8\eta y_1 y_2}{1 + \eta^2} \right] \\ &\quad + \frac{y_2^2 + \eta^2}{(1 + y_1)^4} \left[\frac{1}{2} (y_1^2 + 1) \ln \frac{\bar{z}_0 y_1^2 y_2^2}{\eta^2} - (y_1 - 1)^2 + \frac{8\eta y_1 y_2}{y_2^2 + \eta^2} \right] \\ &\quad + 2 \left[-\frac{y_1^2 + \eta^2}{(1 + y_1)(1 - \eta)} \ln \frac{(\eta - 1)(1 + y_1)}{\eta y_1} + \frac{y_1 y_2 - \eta}{(1 + y_1)^2} + \frac{y_1 - \eta y_2}{(1 - \eta)^2} \right], \end{aligned} \quad (30)$$

where $\eta = 1 + y_1 + y_2$.

We can also integrate the right side of Eq.(30) over y_2 or y_1 at fixed values of η : $y_1 + y_2 = \eta - 1$ because in the region b) the 4-momentum of the heavy photon depends on η : $q_a = p_2 \eta - p_1$. The corresponding expression can be obtained using the symmetrical part of $\tilde{L}_{\mu\nu}^a$ in Eq.(21) by the rule

$$\tilde{L}_{\mu\nu}^b(\eta, \bar{z}_0) = -sym\{\tilde{L}_{\mu\nu}^a(y, z_0)\}, \quad (31)$$

and the result reads

$$\begin{aligned} \tilde{L}_{\mu\nu}^b &= \frac{\alpha^2}{\pi^2} dy \ln \bar{z}_0 \left\{ \ln \bar{z}_0 \left[\frac{1 + \eta^2}{3(\eta - 1)} + \frac{\eta - 1}{6\eta} (4 + 7\eta + 4\eta^2) - (1 + \eta) \ln \eta \right] - 4(1 + \eta) \ln \eta \ln(\eta - 1) \right. \\ &\quad - \frac{2}{\eta - 1} \ln \eta - \frac{2(3\eta^2 - 1)}{\eta - 1} L_{i2}(1 - \eta) - \frac{2}{3} \left[-4\eta^2 - 5\eta + 1 - \frac{4}{\eta(\eta - 1)} \right] \ln(\eta - 1) - \frac{1}{3} (8\eta^2 + 5\eta \\ &\quad \left. - 7 + \frac{13}{\eta - 1}) \ln \eta + \frac{2}{3} \eta^2 - \frac{136}{9} \eta + \frac{107}{9} + \frac{4}{3\eta} - \frac{20}{9(\eta - 1)} \right\} (Q_{\mu\nu} + i\lambda E_{\mu\nu}). \end{aligned} \quad (32)$$

At this point we want to pay attention that for a processes in which the whole energy of the initial electron transforms into energy of the electromagnetic jet along its momentum direction (the energy does not transfer by heavy photon) variable η equals to $1/y$, because in this case $\varepsilon_2 = \varepsilon - \varepsilon_+ - \varepsilon_-$. That allows to formulate the substitution law (31) in terms of the same variables: y and z_0 . Such kind of law was used in calculation of QED corrections to the small-angle Bhabha cross-section at LEP1 [11].

3 Semicollinear kinematics

Inside the investigated above collinear regions *a*) and *b*) both, photon and fermion PD's, can be small as compared with the heavy photon mass q^2 . In general case the smallness of every PD gives the large logarithm in ECT after corresponding angular integration. Therefore, we have double-logarithmic behaviour of the tensor $\tilde{L}_{\mu\nu}$. Besides double logarithmic terms the contribution of collinear regions contains also single logarithm and constant relative to variable z_0 .

The last kind of contribution can be arise also in kinematical regions when all fermion PD's in underlying Feynman diagrams have the same order as q^2 , and only photon ones leave small. Such kinematics we call traditionally as semicollinear one.

It is easy to see that there are three semicollinear regions in the process under consideration: $(\vec{p}_- \parallel \vec{p}_1)$, $(\vec{p}_- \parallel \vec{p}_+)$ and $(\vec{p}_+ \parallel \vec{p}_2)$. The corresponding contributions into cross-sections for unpolarized initial electron were studied in part for DIS [8] and small-angle Bhabha [11] processes.

Below we give the full analysis of these regions for longitudinally polarized initial electron on the level of universal quantity – ECT. We use maximally the substitution laws based on topological equivalence of essential TD's in every region to simplify the calculations. The final result has a compact form, and we keep single logarithmic as well as power contributions. In the frame of next-to-leading accuracy we demonstrate the elimination of the angular auxiliary parameters θ_0 and $\bar{\theta}_0$ in the case when separation of collinear and semicollinear regions has not physical sence.

3.1 Contribution of the region $(\vec{p}_- \parallel \vec{p}_1)$

In the semicollinear region $(\vec{p}_- \parallel \vec{p}_1)$ the only (5,6) set of TD contributes. In this case the small photon PD reads

$$q_1^2 = (p_- - p_1)^2 = -x_2 m^2 \left[\frac{(1-x_2)^2}{x_2^2} + z_2 \right], \quad (33)$$

and the phase space of created electron with 4-momentum p_- is

$$\frac{d^3 p_-}{\varepsilon_-} = \frac{1}{2} m^2 x_2 dx_2 d\varphi dz_2, \quad (34)$$

where φ is the azimuth angle of the vector \vec{p}_- in the coordinate system with axis OZ along the vector \vec{p}_1 .

For investigation of ECT in this region it is convenient to introduce the "small" 4-vector

$$p = \frac{1}{x_2} p_- - p_1, \quad (35)$$

which has only perependicular components in the choosen coordinate system. When calculating the TD for (5,6) set we have to keep the terms of the types

$$\frac{1}{q_1^4} (m^2, q_1^2, (p, p)), \quad (36)$$

in order to achieve the adequate accuracy (including constant relative z_0). The 4-vector p can enter in ECT via scalar product and tensor structures.

In accordance with (36) we can write the ECT in the considered region as follows

$$L_{\mu\nu}^{(3.1)} = \frac{\alpha^2}{2\pi^4} \frac{d^3 p_+}{\varepsilon_+} x_2 dx_2 d\varphi dz_2 \frac{m^2}{q_1^4} \left[m^2 L_{\mu\nu}^m + \frac{q_1^2}{(1-x_2)^2} L_{\mu\nu}^{(q_1)} + \frac{2x_2^2}{(1-x_2)^2} L_{\mu\nu}^{(p)} \right], \quad (37)$$

where the first term on the right side of Eq.(37) gives only constant (next–next–to–leading) contribution relative z_0 (being integrated over created electron angular phase space, see below) and reads

$$L_{\mu\nu}^m = \frac{1}{ut_1} [(u + t_1)^2 \tilde{g}_{\mu\nu} + 4q^2 \tilde{p}_{1\mu} \tilde{p}_{1\nu} - 2i\lambda E_{\mu\nu}^m] . \quad (38)$$

The second term inside the parenthesis in Eq.(37) leads to only logarithmic (next–to–leading) contribution and is defined by the formula

$$L_{\mu\nu}^{(q_1)} = \left[\frac{(1 + x_2^2)(u^2 + t_1^2)}{2ut_1} + 2x_2 + \frac{q^2}{s_1} \right] \tilde{g}_{\mu\nu} - \frac{2q^2}{ut_1} [(\tilde{p}_+ \tilde{p}_2)_{\mu\nu} - (1 + x_2^2) \tilde{p}_{1\mu} \tilde{p}_{1\nu}] - \frac{i\lambda(1 + x_2)}{ut_1} E_{\mu\nu}^m . \quad (39)$$

At last, the third term on the right side of Eq.(37) leads to both, logarithmic and constant, contributions:

$$L_{\mu\nu}^{(p)} = -\frac{q^2}{2(1 - x_2)^2} N^2 g_{\mu\nu} - (KZ)_{\mu\nu} , \quad q = p_2 + p_+ - (1 - x_2)p_1 , \quad N = \chi_+ - \chi_2 ,$$

$$K_\mu = \frac{N}{1 - x_2} p_{2\mu} + \chi_2 p_{1\mu} + p_\mu , \quad Z_\mu = -\frac{N}{1 - x_2} p_{+\mu} + \chi_+ p_{1\mu} + p_\mu . \quad (40)$$

To describe the tensor $L_{\mu\nu}^{(3.1)}$ we introduced the following notation:

$$E_{\mu\nu}^m = (u - t_1) E_{\mu\nu}(q, p_2) + (s_1 + (1 - x_2)t_1) E_{\mu\nu}(q, p_1) , \quad E_{\mu\nu}(a, b) = \epsilon_{\mu\nu\lambda\rho} a_\lambda b_\rho ,$$

$$u = -2p_1 p_2 , \quad s_1 = 2p_2 p_+ , \quad t_1 = -2p_1 p_+ , \quad \chi_+ = \frac{2p_+ p}{t_1} , \quad \chi_2 = \frac{2p_2 p}{u} ,$$

$$(ab)_{\mu\nu} = a_\mu b_\nu + a_\nu b_\mu , \quad \tilde{a}_\mu = a_\mu - \frac{aq}{q^2} q_\mu , \quad \tilde{g}_{\mu\nu} = g_{\mu\nu} - \frac{q_\mu q_\nu}{q^2} , \quad \tilde{a}q = 0 . \quad (41)$$

Tensor $L_{\mu\nu}^{(p)}$ satisfies condition: $L_{\mu\nu}^{(p)} q_\nu = 0$. Therefore, we could, in principle, write it in terms of quantities with sign "tilde" as defined in the last line of relations (41). But our strategy (as concerns this tensor) is at first to integrate it over angular variables and then to write it by means such kind quantities.

In the region ($\vec{p}_- \parallel \vec{p}_2$) we can perform the model–independent integration of the tensor $L_{\mu\nu}^{(3.1)}$ over angular variables z_2 and φ . The integration of the first two terms on the right side of Eq.(37) is trivial and can be carried out by formulae

$$\int \frac{m^4}{q_1^4} dz_2 d\varphi = \frac{2\pi}{(1 - x_2)^2} , \quad \int \frac{m^2}{q_1^2} dz_2 d\varphi = -\frac{2\pi}{x_2} \ln \frac{z_0 x_2^2}{(1 - x_2)^2} . \quad (42)$$

As concerns the integration of the third term in Eq.(37), it needs to use the following relation

$$\int \frac{m^2}{q_1^4} dz_2 d\varphi p_\mu p_\nu = -\frac{\pi}{x_2^2} \left(\ln \frac{z_0 x_2^2}{(1 - x_2)^2} - 1 \right) g_{\mu\nu}^\perp , \quad (43)$$

where the perpendicular metric tensor $g_{\mu\nu}^\perp$ has only xx and yy components in the chosen coordinate system. It acts as follows

$$a_\mu g_{\mu\nu}^\perp = a_\nu^\perp , \quad a_\mu b_\nu g_{\mu\nu}^\perp = (ab)^\perp , \quad g_{\mu\nu}^\perp p_{1\nu} = 0 . \quad (44)$$

It is convenient to write the Eq.(43) in the symbolic form as

$$p_\mu p_\nu \rightarrow -g_{\mu\nu}^\perp . \quad (45)$$

By using Eq.(43) in its symbolic form we can write

$$\begin{aligned}\chi_+ N &\rightarrow \frac{2}{ut_1}(s_1 + y_0 t_1 - x_1 u) , \quad \chi_2 N \rightarrow \frac{2}{ut_1}(-s_1 + y_0 t_1 - x_1 u) , \\ N p_\mu &\rightarrow \frac{2}{ut_1}(t_1 p_{2\mu} - u p_{+\mu} + (x_1 u - y_0 t_1) p_{1\mu}) , \\ p_\mu p_\nu + \chi_2 \chi_+ p_{1\mu} p_{1\nu} + (\chi_2 + \chi_+) (p_1 p)_{\mu\nu} &\rightarrow -g_{\mu\nu} - \frac{2s_1}{ut_1} p_{1\mu} p_{1\nu} - \frac{(u p_+ + t_1 p_2, p_1)_{\mu\nu}}{ut_1} .\end{aligned}\quad (46)$$

When writing the last relation in (46) we used the following representation of the metrical tensor

$$g_{\mu\nu} = g_{\mu\nu}^\perp + \frac{1}{\varepsilon^2} p_{1\mu} p_{1\nu} + \frac{1}{\varepsilon} (g_{\mu z} p_{1\nu} + g_{\nu z} p_{1\mu}) . \quad (47)$$

Looking at relations (46), one can see that the result of angular integration of the tensor $L_{\mu\nu}^{(p)}$ in considered region can be written in covariant form. Because of gauge invariance, we can introduce the quantities with "tilde" and use the equation

$$\tilde{p}_+ + \tilde{p}_2 - (1 - x_2) \tilde{p}_1 = 0$$

at this point. The result has a very simple form

$$L_{\mu\nu}^{(p)} \rightarrow -2 \left(\frac{q^2 s_1}{(1 - x_2)^2 ut_1} - 1 \right) \tilde{g}_{\mu\nu} + \frac{4q^2}{(1 - x_2)^2 ut_1} (\tilde{p}_2 \tilde{p}_+)_{\mu\nu} , \quad q^2 = s_1 + (1 - x_2)(u + t_1) . \quad (48)$$

The Eqs.(42) and (43) indicate that the expression for contribution of the semicollinear region ($\vec{p}_- \parallel \vec{p}_2$) into ECT can be written as follows

$$\int L_{\mu\nu}^{(3,1)} = \frac{\alpha^2}{\pi^3} \frac{d^3 p_+}{\varepsilon_+} \frac{dx_2}{(1 - x_2)^2 ut_1} [x_2 a_{\mu\nu} + b_{\mu\nu} \ln \frac{z_0 x_2^2}{(1 - x_2)^2}] , \quad (49)$$

where

$$a_{\mu\nu} = c \tilde{g}_{\mu\nu} + \frac{4q^2}{(1 - x_2)^2} (\tilde{p}_{2\mu} \tilde{p}_{2\nu} + \tilde{p}_{+\mu} \tilde{p}_{+\nu}) - 2i\lambda E_{\mu\nu}^m , \quad c = u^2 + t_1^2 + \frac{2q^2 s_1}{(1 - x_2)^2} , \quad (50)$$

$$b_{\mu\nu} = (1 + x_2^2) \left[-\frac{c}{2} \tilde{g}_{\mu\nu} - \frac{2q^2}{(1 - x_2)^2} (\tilde{p}_{2\mu} \tilde{p}_{2\nu} + \tilde{p}_{+\mu} \tilde{p}_{+\nu}) \right] + i\lambda (1 + x_2) E_{\mu\nu}^m . \quad (51)$$

For situations in which the created electron-positron pair is not observed we have to sum the contributions due to collinear and semicollinear regions. In such cases parameter θ_0 , which separates these regions has not deep physical sence and must disappear in the final expression for any observed physical quantity. In the frame of next-to-leading accuracy this fact leads to cancellation of all terms proportional to $\ln \theta_0^2 \ln \frac{\varepsilon^2}{m^2}$. Let us show that such cancellation takes place for contribution of the (5,6) set of TD. In order to extract the corresponding term when integrating the right side of Eq.(49) over created positron angular phase space

$$\frac{d^3 p_+}{\varepsilon_+} = \varepsilon^2 x_1 dx_1 d\varphi_+ dc_1 , \quad (52)$$

(where $c_1 = \cos \theta_1$ and φ_+ is the positron azimuth angle) it is convenient to write tensor $b_{\mu\nu}$ on the right side of Eq.(49) as follows

$$b_{\mu\nu}(c_1) = [b_{\mu\nu}(c_1) - b_{\mu\nu}(1)] + b_{\mu\nu}(1) . \quad (53)$$

The upper limit of integration over c_1 equals to $\cos \theta_0$.

Only the pole-like term proportional to $b_{\mu\nu}(1)/t_1$ on the right side of Eq.(49) gives contribution, we want to extract. By using

$$q^2 = yu , \quad s_1 = -x_1u , \quad y\tilde{p}_1 = \tilde{p}_2 \quad (54)$$

for $b_{\mu\nu}(1)$ we obtain the interesting contribution in the form

$$-\frac{\alpha^2}{\pi^2} dx_1 dx_2 \ln \theta_0^2 \ln \frac{\varepsilon^2}{m^2} \left[\frac{(1+x_2)(y^2+x_1^2)}{(1-x_2)^4} Q_{\mu\nu} + i\lambda \frac{(y-x_1)(1+x_2)}{(1-x_2)^2} E_{\mu\nu} \right]. \quad (55)$$

It is enough to look at Eqs.(17),(19) and (20) to see that all terms which contain $\ln \theta_0^2 \ln \frac{\varepsilon^2}{m^2}$ vanish when we sum collinear and semicollinear contributions due to (5,6) set of TD. Usually the contribution of semicollinear regions being added to collinear one restores argument of the leading logarithm in a such a way that $\ln^2 z_0$ transforms into $\ln^2(-u/m^2)$ (see, for example, [11]). This restoration is connected also with contribution of the lower limit integration of the pole-like term that depends on concrete physical applications. Below we will not concentrate on this point more.

3.2 The contribution of the region ($\vec{p}_- \parallel \vec{p}_+$)

In the semicollinear region ($\vec{p}_- \parallel \vec{p}_+$) only (1,2) set of TD contributes. The small photon PD in this region has virtuality

$$q_2^2 = (p_+ + p_-)^2 = m^2 x_1 x_2 \left[\frac{(1-y)^2}{x_1^2 x_2^2} + z \right], \quad z = \frac{\varepsilon^2 \theta_{12}^2}{m^2}, \quad (56)$$

where $\theta_{1,2} = \widehat{\vec{p}_+ \vec{p}_-}$ is the angle between the created electron and positron momentum directions. The phase space of created electron can be parametrized as follows

$$\frac{d^3 p_-}{\varepsilon_-} = \frac{m^2}{2} x_2 dx_2 d\varphi_- dz, \quad (57)$$

where now φ_- is the azimuth angle of the vector \vec{p}_- in the system with axis OZ along the direction of vector \vec{p}_+ .

If we will introduce the "small" 4-vector

$$h = \frac{x_1}{x_2} p_- - p_+, \quad (58)$$

we can write the ECT in the considered region by full analogy with Eq.(37):

$$L_{\mu\nu}^{(3,2)} = \frac{\alpha^2}{2\pi^4} \frac{d^3 p_+}{\varepsilon_+} x_2 dx_2 d\varphi_- dz \frac{m^2}{q_2^4} \left[m^2 \bar{L}_{\mu\nu}^m + \frac{q_2^2 x_1^2}{(1-y)^2} L_{\mu\nu}^{(q_2)} + \frac{2x_2^2}{(1-y)^2} L_{\mu\nu}^{(h)} \right]. \quad (59)$$

As it follows from Fig.2a the (1,2) set of TD can be obtained from (5,6) one by the interchange 4-momenta p_1 and $-p_+$. Such operation changes the conditions of polarized particle. That is why by means the corresponding substitution law (see Eq.(9))

$$\hat{P} = [-p_+ \leftrightarrow p_1, (x_1, x_2, y_0, z_2, p) \rightarrow \left(\frac{1}{x_1}, \frac{-x_2}{x_1}, \frac{-y_0}{x_1}, x_1^2 z, -h \right)], \quad (60)$$

$$\hat{P}(u, s_1, t_1) \rightarrow (s_1, u, t_1)$$

we can derive from Eq.(37) only symmetrical spin-independent part of the ECT for (1,2) set

$$\begin{aligned} sym[m^2 \bar{L}_{\mu\nu}^m + \frac{q_2^2 x_1^2}{(1-y)^2} L_{\mu\nu}^{(q_2)} + \frac{2x_2^2}{(1-y)^2} L_{\mu\nu}^{(h)}] = \hat{P} sym[m^2 L_{\mu\nu}^m + \\ \frac{q_1^2}{(1-x_2)^2} L_{\mu\nu}^{(q_1)} + \frac{2x_2^2}{(1-x_2)^2} L_{\mu\nu}^{(p)}] . \end{aligned} \quad (61)$$

The antisymmetrical spin-dependent part of ECT requires of independent calculations. The result can be written as follows:

$$\bar{L}_{\mu\nu}^m = \frac{1}{s_1 t_1} [(s_1 + t_1)^2 \tilde{g}_{\mu\nu} + 4Q^2 \tilde{p}_{+\mu} \tilde{p}_{+\nu} - 2i\lambda(t_1 - s_1) E_{\mu\nu}(Q, p_+)] , \quad (62)$$

$$Q = p_2 - p_1 + \frac{1-y}{x_1} p_+ , \quad \tilde{a}_\mu = a_\mu - \frac{aQ}{Q^2} Q_\mu ,$$

$$\begin{aligned} L_{\mu\nu}^{(q_2)} = \frac{1}{x_1^2 s_1 t_1} \left\{ \left[\frac{(x_1^2 + x_2^2)(s_1^2 + t_1^2)}{2} - 2x_1 x_2 s_1 t_1 + x_1^2 Q^2 u \right] \tilde{g}_{\mu\nu} + 2Q^2 [x_1^2 (\tilde{p}_1 \tilde{p}_2)_{\mu\nu} + (x_1^2 + x_2^2) \tilde{p}_{+\mu} \tilde{p}_{+\nu}] \right. \\ \left. - i\lambda x_1 [(x_1 u + (1-y)t_1) E_{\mu\nu}(Q, p_1) + (x_1 u + s_1(1-y)) E_{\mu\nu}(Q, p_2) + 2x_2(s_1 - t_1) E_{\mu\nu}(Q, p_+)] \right\} , \end{aligned} \quad (63)$$

$$\begin{aligned} L_{\mu\nu}^{(h)} = -\frac{x_1^2 Q^2}{2(1-y)^2} N_h^2 g_{\mu\nu} - (K^h Z^h)_{\mu\nu} + i\lambda \frac{N_h x_1^2}{(1-y)^2} [\chi_1 E_{\mu\nu}(Q, p_2) \\ + \chi_2^h E_{\mu\nu} - \frac{1-y}{x_1} E_{\mu\nu}(Q, h)] , \quad N^h = \chi_1 + \chi_2^h , \quad \chi_1 = \frac{2p_1 h}{t_1} , \quad \chi_2^h = \frac{2p_2 h}{s_1} , \end{aligned} \quad (64)$$

$$K_\mu^h = \frac{x_1 N^h}{1-y} p_{2\mu} + \chi_2^h p_{+\mu} - h_\mu , \quad Z_\mu^h = \frac{x_1 N^h}{1-y} p_{1\mu} - \chi_1 p_{+\mu} - h_\mu .$$

The tensor $L_{\mu\nu}^{(h)}$ satisfies the condition $L_{\mu\nu}^{(h)} Q_\nu = 0$ because of gauge invariance. Of course, we can exclude the structure $E_{\mu\nu}(Q, p_+)$ using the definition of 4-vector Q given in (62). But the written expressions on the right sides of Eqs.(62) and (63) are more compact in our opinion.

The angular integration of the tensor $L_{\mu\nu}^{(3,2)}$ can be carried out by the help of relations

$$\int \frac{m^4}{q_2^4} dz d\varphi_- = \frac{2\pi}{(1-y)^2} , \quad \int \frac{m^2}{q_2^2} dz d\varphi_- = \frac{2\pi}{x_1 x_2} \ln \frac{z_a x_1^2 x_2^2}{(1-y)^2} , \quad (65)$$

$$\int \frac{m^2}{q_2^4} dz d\varphi_- h_\mu h_\nu = -\frac{\pi}{x_2^2} (\ln \frac{z_a x_1^2 x_2^2}{(1-y)^2} - 1) g_{\mu\nu}^\perp ,$$

where $z_a = \varepsilon^2 \theta_a^2 / m^2$, and the perpendicular metric tensor $g_{\mu\nu}^\perp$ has only xx and yy components in the chosen coordinate system (the axis OZ along vector \vec{p}_+). We introduced here parameter $\theta_a \ll 1$ which defines the semicollinear region ($\vec{p}_- \parallel \vec{p}_+$) in such a way that $\theta_{1,2} \leq \theta_a$. Note, that Eqs.(65) can be derived from the corresponding Eqs.(42) and (43) by application of operation $(1/x_1^2) \hat{P}$.

Using the symbolic form of the last relation in (65) we can write

$$\begin{aligned} \chi_2^h N_h \rightarrow \frac{2}{x_1 s_1 t_1} (x_1 u + s_1 + y_0 t_1) , \quad \chi_1 N_h \rightarrow \frac{2}{x_1 s_1 t_1} (x_1 u - s_1 - y_0 t_1) , \\ N_h h_\mu \rightarrow -\frac{2}{s_1 t_1} (t_1 p_{2\mu} + s_1 p_{1\mu} - \frac{s_1 + y_0 t_1}{x_1} p_{+\mu}) , \end{aligned}$$

$$h_\mu h_\nu - \chi_2^h \chi_1 p_{+\mu} p_{+\nu} + (\chi_1 - \chi_2^h)(p_+ h)_{\mu\nu} \rightarrow -g_{\mu\nu} - \frac{2u}{s_1 t_1} p_{+\mu} p_{+\nu} - \frac{(s_1 p_1 - t_1 p_2, p_+)_{\mu\nu}}{s_1 t_1}. \quad (66)$$

It is easy to see that Eqs.(66) follow from Eqs.(46) after application of operator \hat{P} to the last ones. The metric tensor in (66) is defined by analogy with (47):

$$g_{\mu\nu} = g_{\mu\nu}^\perp + \frac{1}{\varepsilon_+^2} p_{+\mu} p_{+\nu} + \frac{1}{\varepsilon_+} (g_{\mu z} p_{+\nu} + g_{\nu z} p_{+\mu}). \quad (67)$$

By means of Eqs.(66) we derive

$$L_{\mu\nu}^{(h)} \rightarrow -2 \left(\frac{x_1^2 Q^2 u}{(1-y)^2 s_1 t_1} - 1 \right) \tilde{g}_{\mu\nu} - \frac{4x_1^2 Q^2}{(1-y)^2 s_1 t_1} (\tilde{p}_1 \tilde{p}_2)_{\mu\nu} \\ + 2i\lambda \frac{x_1}{(1-y)^2 s_1 t_1} [(x_1 u + (1-y)t_1) E_{\mu\nu}(Q, p_2) + (x_1 u + (1-y)s_1) E_{\mu\nu}(Q, p_1)]. \quad (68)$$

The general expression for the contribution of the semicollinear region ($\vec{p}_- \parallel \vec{p}_+$) into ECT can be written as follows

$$\int L_{\mu\nu}^{(3.2)} = \frac{\alpha^2 d^3 p_+}{\pi^3 \varepsilon_+} \frac{dx_2}{(1-y)^2 s_1 t_1} [x_2 a_{\mu\nu}^{(1)} + b_{\mu\nu}^{(1)} \ln \frac{z_a x_1^2 x_2^2}{(1-y)^2}], \quad (69)$$

$$a_{\mu\nu}^{(1)} = c^{(1)} \tilde{g}_{\mu\nu} + \frac{4x_1^2 Q^2}{(1-y)^2} (\tilde{p}_{2\mu} \tilde{p}_{2\nu} + \tilde{p}_{1\mu} \tilde{p}_{1\nu}) - 2i\lambda \frac{x_1}{(1-y)^2} [(ux_1 + (1-y)s_1) E_{\mu\nu}(Q, p_2) \\ + (ux_1 + (1-y)t_1) E_{\mu\nu}(Q, p_1)], \quad (70)$$

$$b_{\mu\nu}^{(1)} = \frac{(x_1^2 + x_2^2)}{x_1} \left\{ \frac{c^{(1)}}{2} \tilde{g}_{\mu\nu} + \frac{2x_1^2 Q^2}{(1-y)^2} (\tilde{p}_{2\mu} \tilde{p}_{2\nu} + \tilde{p}_{1\mu} \tilde{p}_{1\nu}) - i\lambda \frac{x_1}{(1-y)^2} [(ux_1 + (1-y)t_1) E_{\mu\nu}(Q, p_1) \right. \\ \left. + (ux_1 + (1-y)s_1) E_{\mu\nu}(Q, p_2)] \right\}, \quad c^{(1)} = s_1^2 + t_1^2 + \frac{2x_1^2}{(1-y)^2} u Q^2. \quad (71)$$

The spin-independent part of ECT on differential level given by Eqs.(61)–(64) coincides with the corresponding results of Ref.[8,9]. But the integration of ECT in [8] has been performed with mistakes. Here we conclude that formula (17) of Ref.[8] (which is analog of our formula (69) for spin-independent part of ECT) is incorrect.

The ECT in the region ($\vec{p}_- \parallel \vec{p}_+$) has a pole-like behaviour at both, small t_1 and small s_1 . One can verify that terms proportional to $\ln \theta_0^2 \ln \frac{\varepsilon^2}{m^2}$ cancel in the sum of contributions of the semilollinear region ($\vec{p}_- \parallel \vec{p}_+$) at small t_1 and collinear region a), while terms proportional to $\ln \bar{\theta}_0^2 \ln \frac{\varepsilon^2}{m^2}$ cancel due to contributions of region ($\vec{p}_- \parallel \vec{p}_+$) at small s_1 and collinear region b).

In the limiting case $|t_1| \ll |u|$, s_1 , $|Q^2|$ we can extract the corresponding terms using Eqs.(69) and (71) as well as relations (54) in the same way as it was done above in Section 3.1, and the result reads

$$-\frac{\alpha^2}{\pi^2} dx_1 dx_2 \ln \theta_0^2 \ln \frac{\varepsilon^2}{m^2} \frac{(x_1^2 + x_2^2)(y^2 + 1)}{(1-y)^4} [Q_{\mu\nu} + i\lambda E_{\mu\nu}]. \quad (72)$$

Looking at Eqs.(17) and (18) we see that the corresponding contribution due to (1,2) set of TD in the collinear region a) has just opposite sign as compared with expression (72).

In another limiting case $s_1 \ll |u|$, $|t_1|$, $|q^2|$ we have to use relations

$$t_1 = y_1 u, \quad Q^2 = \eta u, \quad \tilde{p}_+ = y_1 \tilde{p}_2, \quad s_1 = 2\varepsilon^2 y_1 (1 - \bar{c}_1), \quad \bar{c}_1 = \cos \bar{\theta}_1 \quad (73)$$

to compute the quantity $b_{\mu\nu}^{(1)}$ at $c_1 = 1$ and derive

$$-\frac{\alpha^2}{\pi^2} dy_1 dy_2 \ln \bar{\theta}_0^2 \ln \frac{\varepsilon^2 (y_1^2 + y_2^2)(\eta^2 + 1)}{m^2 (1 - \eta)^4} [Q_{\mu\nu} + i\lambda E_{\mu\nu}] . \quad (74)$$

The expression (74) cancels the contribution containing $\ln \bar{\theta}_0^2 \ln \frac{\varepsilon^2}{m^2}$ due to (1,2) set of TD in collinear region b) as it follows from Eqs.(30),(31).

3.3 Contribution of the region ($\vec{p}_+ \parallel \vec{p}_2$)

In the semicollinear region ($\vec{p}_+ \parallel \vec{p}_2$) only (3,4) set of TD contributes. As one can see from Fig.2a the TD of that set may be obtained from (1,2) one by interchange $p_2 \leftrightarrow p_-$. The such kind of substitution does not affect any condition for polarized particle with 4-momentum p_1 . Therefore, both, spin-independent part of the corresponding tensor $L_{\mu\nu}^{(3.3)}$ and spin-dependent one, can be derived by definite substitution law using tensor $L_{\mu\nu}^{(3.2)}$. If we will write

$$L_{\mu\nu}^{(3.3)} = \frac{\alpha^2}{2\pi^4} \frac{d^3 p_-}{\varepsilon_-} y_1 dy_1 \frac{m^2}{q_3^4} d\bar{z}_1 d\varphi_+ L_{\mu\nu} , \quad q_3^2 = (p_2 + p_+)^2 \quad (75)$$

then tensor $L_{\mu\nu}$ on the right side of Eq.(75) can be written by means of the right hand side of Eq.(59) in the form

$$L_{\mu\nu} = \hat{O} \left[m^2 \bar{L}_{\mu\nu}^{(m)} + \frac{q_2^2 x_1^2}{(1-y)^2} l_{\mu\nu}^{(q_2)} + \frac{2x_2^2}{(1-y)^2} L_{\mu\nu}^{(h)} \right] , \quad (76)$$

where operator \hat{O} is defined as follows

$$\hat{O} = [p_2 \leftrightarrow p_- , (p_+ , x_2 , x_1 , h) \rightarrow (y_1 p_2 , y_0 , x_1 , -y_1 f)] , \quad f = \frac{1}{y_1} p_+ - p_2 . \quad (77)$$

(For the notation used here see Section 2.2) The action of the operator \hat{O} on the used invariants reads

$$\begin{aligned} \hat{O}(t_1 , s_1 , u , q_2 , Q) &= (y_1 u , y_1 s_2 , t_2 , q_3 \bar{Q}) , \\ s_2 &= 2p_2 p_- , \quad t_2 = -2p_1 p_- , \quad \bar{Q} = p_2(1 + y_1) + p_- - p_1 . \end{aligned} \quad (78)$$

We omitt all intermediate calculations and give only the final result for ECT in the region ($\vec{p}_+ \parallel \vec{p}_2$)

$$\int L_{\mu\nu}^{(3.3)} = \frac{\alpha^2}{\pi^3} \frac{d^3 p_-}{\varepsilon_-} \frac{dy_1}{(1+y_1)^2 u s_2} [y_1 a_{\mu\nu}^{(2)} + b_{\mu\nu}^{(2)} \ln \frac{\bar{z}_0 y_1^2}{(1+y_1)^2}] , \quad (79)$$

$$\begin{aligned} a_{\mu\nu}^{(2)} &= c^{(2)} \tilde{g}_{\mu\nu} + \frac{4\bar{Q}^2}{(1+y_1)^2} (\tilde{p}_{-\mu} \tilde{p}_{-\nu} + \tilde{p}_{1\mu} \tilde{p}_{1\nu}) - 2i\lambda \frac{1}{(1+y_1)^2} [(t_2 + (1+y_1)s_2) E_{\mu\nu}(\bar{Q}, p_-) \\ &\quad + (t_2 + (1+y_1)u) E_{\mu\nu}(\bar{Q}, p_1)] , \end{aligned} \quad (80)$$

$$\begin{aligned} b_{\mu\nu}^{(2)} &= (1+y_1^2) \left\{ \frac{c^{(2)}}{2} \tilde{g}_{\mu\nu} + \frac{2\bar{Q}^2}{(1+y_1)^2} (\tilde{p}_{-\mu} \tilde{p}_{-\nu} + \tilde{p}_{1\mu} \tilde{p}_{1\nu}) - i\lambda \frac{1}{(1+y_1)^2} [(t_2 + (1+y_1)u) E_{\mu\nu}(\bar{Q}, p_1) \right. \\ &\quad \left. + (t_2 + (1+y_1)s_2) E_{\mu\nu}(\bar{Q}, p_-)] \right\} , \quad c^{(2)} = s_2^2 + u^2 + \frac{2t_2 \bar{Q}^2}{(1+y_1)^2} . \end{aligned} \quad (81)$$

In the limiting case $s_2 \ll |t_2| , |u| , |\bar{Q}^2|$ we have to use relations

$$t_2 = y_2 u , \quad \bar{Q}^2 = \eta u , \quad s_2 = 2\varepsilon_2 y_2 (1 - \bar{c}_2) , \quad \bar{c}_2 = \cos \bar{\theta}_2 \quad (82)$$

to compute the quantity $b_{\mu\nu}^{(2)}$ at $\bar{c}_2 = 1$ and extract (by analogy with (55)) term proportional to $\ln \bar{\theta}_0^2 \ln \frac{\varepsilon^2}{m^2}$. It reads

$$-\frac{\alpha^2}{\pi^2} dy_1 dy_2 \ln \bar{\theta}_0^2 \ln \frac{\varepsilon^2}{m^2} \frac{(1+y_1^2)(\eta^2+y_2^2)}{(1+y_1)^4} [Q_{\mu\nu} + i\lambda E_{\mu\nu}] . \quad (83)$$

Expression (83) cancels exactly the corresponding contribution of the collinear region b) due to (3,4) set of TD (see Eq.(30)).

4 Conclusion

In this paper we calculated the ECT for the process of electron–positron pair production at the scattering of longitudinally polarized electron on heavy photon. The work was stimulated by recent polarized experiments on deep inelastic scattering [1,2], but the obtained result can be used to compute the second order radiative correction due to hard pair production for a wide class of the scattering and annihilation processes. The contribution of collinear and semicollinear kinematical regions are studied, and that allows to find the corresponding correction with the next–to–leading accuracy. The cancellation of the angular auxiliary parameters θ_0 and $\bar{\theta}_0$ in the case of unobserved created pair indicates that our results for collinear regions are in accordance with semicollinear ones. We give together spin–independent and spin–dependent parts of ECT to make polarization effects more transparent on the level of theoretical formulae.

We want to pay attention that in contrast with the purely photonic corrections the leading correction, connected with hard pair production, has different form for spin–dependent and spin–independent parts of the ECT because of contribution in singlet channel. This fact indicates that for asymmetry–like quantities the full second–order correction will dominate just due to pair production via singlet channel because the whole leading nonsinglet channel contribution cancels in this case [6]. The last includes all photonic corrections and nonsinglet part of corrections connected with pair production.

Acknowledgements

The authors thanks G.I. Gakh, A.B. Arbuzov and L. Trentadue for a discussion. This work supported in part by INTAS Grant 93–1867 ext and Ukrainian DFFD grant 2.4/379.

Appendix

In this Appendix we want outline the starting–points for calculation of tensor $T_{\mu\nu}$ given on the right side of Eq.(5). In the considered case module of heavy photon virtuality $|q^2|$ and invariant $u = -2p_1 p_2$, that defines the registration conditions of the scattered electron, are much more as compared with m^2 . Therefore, only diagrams on Fig.1 contribute in collinear and semicollinear kinematics, and tensor $T_{\mu\nu}$ in general can be written as follows

$$T_{\mu\nu} = (M^{(12)} - M^{(34)} - M^{(56)})_\mu (M^{(12)} - M^{(34)} - M^{(56)})_\nu^+ , \quad (A.1)$$

$$M^{(12)} = \bar{u}(p_2) Q_{\mu\lambda}^{(12)} u(p_1) \frac{1}{q_2^2} \bar{u}(p_-) \gamma_\lambda v(p_+) , \quad M_\mu^{(34)} = \hat{O} M^{(12)} , \quad M_\mu^{(56)} = \hat{P} M^{(12)} ,$$

$$Q_{\mu\nu}^{(12)} = \gamma_\mu \frac{\hat{p}_1 - \hat{q}_2 + m}{q_2^2 - 2p_1q_2} \gamma_\lambda + \gamma_\lambda \frac{\hat{p}_2 + \hat{q}_2 + m}{q_2^2 + 2p_2q_2} \gamma_\mu , \quad (\text{A.2})$$

where we used the notation of Section 3.

In the collinear region $a)$ the (3,4) set does not contribute, and we have

$$T_{\mu\nu}^a = M_\mu^{(12)} M_\nu^{(12)+} + M_\mu^{(56)} M_\nu^{(56)+} - (M_\mu^{(12)} M_\nu^{(56)+} + M_\mu^{(56)} M_\nu^{(12)+}) . \quad (\text{A.3})$$

The first term on the right side of Eq.(A.3) corresponds to contribution of (1,2) set of TD on Fig.2a that describes the nonsinglet channel only. It reads

$$M_\mu^{(12)} M_\nu^{(12)+} = \frac{1}{q_2^4} [-2q_2^2 g_{\lambda\rho} + 4(p_+ p_-)_{\lambda\rho}] \text{Tr}(\hat{p}_2 + m) Q_{\mu\lambda}^{(12)} (\hat{p}_1 + m) (1 + \lambda\gamma_5 (1 + \frac{m\hat{k}}{p_1 k})) Q_{\nu\rho}^{(12)+} , \quad (\text{A.4})$$

where we define the initial electron polarization 4-vector a_μ in the form [7, 17]

$$a_\mu = \frac{\lambda}{m} (p_1 - \frac{m^2 k}{p_1 k}) , \quad k = (\varepsilon, -\vec{p}_1)$$

and used the relation

$$(\hat{p}_1 + m) [1 - \frac{\lambda}{m} \gamma_5 (\hat{p}_1 - \frac{m^2 \hat{k}}{p_1 k})] = (\hat{p}_1 + m) [1 + \lambda\gamma_5 (1 + \frac{m\hat{k}}{p_1 k})] .$$

Note that vector k vanishes in final results because in the frame of choosen accuracy it contributes via scalar production ($k p_1$) in the same way as for double-photon emission [7]. The multiplier inside the right brackets on the right side of Eq.(A.4) describes the upper block of the corresponding TD Fig.2a while the trace – lower one. The part of trace, that contains the doubled initial electron helicity λ , is symmetric relative indecies (λ, ρ) and antisymmetric relative (μ, ν) ones.

The second term on the right side of Eq.(A.3) is responsibe for the singlet channel contribution. It connected with (5,6) set of TD and can be written as follows

$$M_\mu^{(56)} M_\nu^{(56)+} = \frac{1}{q_1^4} [2q_1^2 g_{\lambda\rho} + 4(p_1 p_-)_{\lambda\rho} + 4i\lambda (E_{\lambda\rho}(p_1, p_-) + \frac{m^2}{p_1 k} E_{\lambda\rho}(p_- - p_1, k))] \quad (\text{A.5}) \\ \times \text{Tr}(\hat{p}_2 + m) Q_{\mu\lambda}^{(56)} (\hat{p}_+ - m) Q_{\nu\rho}^{(56)+} .$$

Now the polarized electron belongs to upper block of TD, and we see that the corresponding expression includes both symmetric and antisymmetric parts. To derive the spin-dependent part of (5,6) set we must compute in this case the antisymmetrical relative both pairs of indecies (λ, ρ) and (μ, ν) part of the trace on the right side of Eq.(A.5). Only spin-independent parts on the right side of Eqs.(A.4) and (A.5) transform one to another by action of operator \hat{P} at which $p_1 \leftrightarrow -p_+$. As concerns spin-dependent ones, they must be calculated independently.

The third term (in the paranthesis) on the right side of Eq.(A.3) describes the interference of singlet and nonsinglet channels. It corresponds to another class of TD (Fig.2,b). If we represent it as a sum of symmetrical and antisymmetrical parts, then

$$\text{sym}\{M_\mu^{(12)} M_\nu^{(56)+} + M_\mu^{(56)} M_\nu^{(12)+}\} = M_\mu^{(12)} M_\nu^{(56)+} + (\mu \leftrightarrow \nu) , \\ \text{asym}\{M_\mu^{(12)} M_\nu^{(56)+} + M_\mu^{(56)} M_\nu^{(12)+}\} = M_\mu^{(12)} M_\nu^{(56)+} - (\mu \leftrightarrow \nu) ,$$

where

$$M_\mu^{(12)} M_\nu^{(56)+} = \frac{1}{q_1^2 q_2^2} (\hat{p}_2 + m) Q_{\mu\lambda}^{(12)} (p_1 + m) [1 + \lambda\gamma_5 (1 + \frac{m\hat{k}}{p_1 k})] \gamma_\rho (\hat{p}_- + m) \gamma_\lambda (\hat{p}_+ - m) Q_{\nu\rho}^{(56)+} . \quad (\text{A.6})$$

Eqs.(A.4),(A.5) and (A.6) are the starting-points of calculation in both, collinear and semi-collinear, regions because the full contribution of (3,4) set of TD can be obtained from (1,2) one by operator \hat{O} , which changes $p_2 \leftrightarrow p_-$.

References

- [1] SMC., D. Adams et al., Phys.Rev. **D 56** (1997) 5330.
- [2] HERMES, K. Acherstaff et al., Phys.Lett. **B 404** (1997) 383.
- [3] T.V. Kukhto and N.M. Shumeiko, Nucl.Phys.**B 219** (1983) 412.
- [4] I.V. Akushevich and N.M. Shumeiko, J.Phys. **G 20** (1994) 513.
- [5] R.P. Feynman. Photon–Hadron Interaction, W.A. Benjamin, inc., 1972.
- [6] I.V. Akushevich, A.B. Arbuzov and E.A. Kuraev, Phys.Lett. **B 432** (1998) 222.
- [7] M.Konchatnij and N.P.Merenkov, hep-ph/9812226 (submitted to JETP Lett.)
- [8] N.P. Merenkov, Sov.J.Nucl.Phys. **50** (1989) 469.
- [9] N.P. Merenkov, Ukr.Fiz.Journ. **34** (1989) 1329.
- [10] A.B. Arbuzov, E.A. Kuraev, N.P. Merenkov and L. Trentadue, Nucl.Phys. **B 474** (1996) 271.
- [11] A.B. Arbuzov, E.A. Kuraev, N.P. Merenkov and L. Trentadue, JETP **81** (1995) 638; Preprint CERN–TH/95–241.
- [12] F.A. Berends, W.L. van Neervan and G.J.M. Burgers, Nucl.Phys. **B 297** (1988) 429; F.A. Berends et al., Nucl.Phys. **B 264** (1984) 243.
- [13] E.A. Kuraev, A.N. Pyorishkin and F.S. Fadin, JNR preprint 89–91, Novosibirsk (1991).
- [14] E.A. Kuraev and V.S. Fadin, Sov.J.Nucl.Phys. **41** (1985) 466; S.Jadach, M. Skrzypek, and B.F.L. Ward, Phys.Rev. **D 47** (1993) 3733; S. Catani and L. Trentadue, JETP.Lett. **51** (1990) 83. A.B. Arbuzov, E.A. Kuraev, N.P. Merenkov, L. Trentadue, JHEP 12 (1998) 009.
- [15] A.B. Arbuzov, E.A. Kuraev, N.P. Merenkov, L. Trentadue, Phys.of Atom.Nucl. **60** (1997) 591.
- [16] N.P.Merenkov, Sov.J.Nucl.Phys. **48** (1988) 1073.
- [17] A.P. Bukhvostov, E.A. Kuraev, L.N. Lipatov, Preprint JNP, Novosibirsk, (1983); Zh.Eks.Teor.Fiz. **87** (1984) 37.