

Mode Fluctuation Distribution for Spectra of Superconducting Microwave Billiards

H. Alt¹, A. Bäcker², C. Dembowski^{1*}, H.-D. Gräf¹, R. Hofferbert¹, H. Rehfeld¹, and A. Richter¹

¹ *Institut für Kernphysik, Technische Universität Darmstadt, D-64289 Darmstadt, Germany*

² *Abteilung Theoretische Physik, Universität Ulm, D-89069 Ulm, Germany*

(November 6, 2018)

High resolution eigenvalue spectra of several two- and three-dimensional superconducting microwave cavities have been measured in the frequency range below 20 GHz and analyzed using a statistical measure which is given by the distribution of the normalized mode fluctuations. For chaotic systems the limit distribution is conjectured to show a universal Gaussian, whereas integrable systems should exhibit a non-Gaussian limit distribution. For the investigated Bunimovich stadium and the 3D-Sinai billiard we find that the distribution is in good agreement with this prediction. We study members of the family of limaçon billiards, having mixed dynamics. It turns out that in this case the number of approximately 1000 eigenvalues for each billiard does not allow to observe significant deviations from a Gaussian, whereas an also measured circular billiard with regular dynamics shows the expected difference from a Gaussian.

PACS number(s): 03.65.-w, 05.45.+b, 41.20.Cv

I. INTRODUCTION

One of the main research lines in quantum chaos is to investigate the statistics of energy levels of quantum systems whose classical counterpart is chaotic. A very popular class of systems are Euclidean billiards which are classically given by the free motion inside a domain $\Omega \subset \mathbf{R}^2$ with elastic reflections at the boundary $\partial\Omega$. The corresponding quantum billiard is described by the stationary Schrödinger equation ($\hbar = 2m = 1$)

$$\Delta\psi_n(\mathbf{q}) + k_n^2\psi_n(\mathbf{q}) = 0 \quad \text{for } \mathbf{q} \in \Omega \quad (1)$$

with Dirichlet boundary conditions $\psi_n(\mathbf{q}) = 0$ for $\mathbf{q} \in \partial\Omega$.

It has been conjectured that the energy level statistics of integrable systems can be described by a Poissonian random process [1], whereas classically strongly chaotic systems should obey the statistics of random matrix ensembles like the GOE or GUE [2–4]. This implies for example that the nearest neighbor level spacing distribution is expected to show level repulsion for chaotic systems, in contrast to integrable systems which are expected to show level attraction. Surprisingly, this means that the statistics of classically chaotic systems are much more rigid than those of integrable systems.

These conjectures have been tested successfully for several systems. However, there are exceptions for both integrable and chaotic systems. For example the so-called arithmetic systems, which are strongly chaotic, are found to have a level spacing distribution showing level-attraction similar to the Poissonian distribution [5–10]. Therefore a different statistics, the distribution of the normalized mode fluctuations has been proposed [11,12]

as a possible signature of quantum chaos. This statistics was first investigated in the integrable case for the eigenvalues of the Laplacian on a torus [13] and later in [14] the unnormalized fluctuations, possessing no limit distribution, have been studied for regular and chaotic billiards. For chaotic systems the limit distribution of the normalized mode fluctuations is conjectured [11,12] to show a universal Gaussian, whereas integrable systems should exhibit a non-Gaussian limit distribution. This conjecture was tested successfully for several regular and chaotic billiard systems in [12,9,15,16].

By using two-dimensional microwave cavities quantum billiards can be simulated experimentally [17–20]. This is possible because of the equivalence of the stationary Schrödinger equation for quantum billiards and the corresponding Helmholtz equation for electromagnetic resonators in two dimensions. In three dimensions the electromagnetic Helmholtz equation is vectorial and cannot be reduced to an effective scalar form. Thus, it is structurally different from the scalar Schrödinger equation. Nevertheless the applicability of the statistical concepts developed in the theory of quantum chaos and random matrix theory is also given for such three-dimensional systems [20–22]. Therefore experiments with superconducting microwave resonators provide in general eigenvalue spectra of very high resolution for which an analysis of the distribution of the normalized mode fluctuations is interesting.

The paper is organized as follows. In Sec. II the mode fluctuation distribution is introduced. The experimental set-up and the measurement of the eigenfrequencies using superconducting microwave resonators are described in Sec. III. In Sec. IV the analysis of the mode fluctuation distribution using the experimental data is carried

*Present address: University of Colorado, Department of Physics, Boulder, CO 80309-0390, USA

out.

II. MODE FLUCTUATION DISTRIBUTION

The analysis of the eigenvalue spectrum starts with the spectral staircase function

$$N(k) = \#\{n \mid k_n \leq k\}, \quad (2)$$

which counts the number of energy levels below a given energy k . The mean behavior of $N(k)$ is given by the generalized Weyl's law [23], which reads for two-dimensional billiards with Dirichlet boundary conditions

$$\overline{N}(k) = \frac{\mathcal{A}}{4\pi}k^2 - \frac{\mathcal{L}}{4\pi}k + \mathcal{C}, \quad (3)$$

where \mathcal{A} is the area of the billiard, \mathcal{L} the length of the boundary, and \mathcal{C} takes curvature and corner contributions into account. For three-dimensional electrodynamic billiards we have

$$\begin{aligned} \overline{N}(k) &= \frac{\mathcal{V}}{3\pi^2} \cdot k^3 \\ &- \left(\frac{2}{3\pi^2} \int \frac{d\sigma}{\mathcal{R}} - \frac{1}{12\pi^2} \int da \frac{(\pi - \omega)(\pi - 5\omega)}{\omega} \right) \cdot k \\ &+ \text{const.}, \end{aligned} \quad (4)$$

where \mathcal{V} is the volume of the billiard, \mathcal{R} the mean radius of the curvature over the surface σ and ω is the dihedral angle along the edges a [24,25].

In order to obtain a spectrum which is independent of the system specific constants, one considers the unfolded spectrum $\{x_n := \overline{N}(k_n)\}$ [26,27]. Consequently the unfolded energy spectrum has a mean level spacing of unity. The counting function for the unfolded spectrum will be denoted for simplicity again by $N(x)$. Thus the fluctuating part of the spectral staircase function is given by

$$N_{\text{fluc}}(x) := N(x) - \overline{N}(x) = N(x) - x. \quad (5)$$

In the following we will assume that all spectra have been unfolded and that the systems are completely desymmetrized.

The normalized mode fluctuations are given by

$$W(x) := \frac{N_{\text{fluc}}(x)}{\sqrt{D(x)}}, \quad (6)$$

where $D(x)$ is the variance

$$D(x) := \frac{\Xi(c)}{(c-1)x} \int_x^{cx} [N_{\text{fluc}}(y)]^2 dy, \quad (7)$$

with $c > 1$, and $\Xi(c)$ is a correction necessary for integrable systems to obtain for $W(x)$ a variance of one, see [16] for details. The conjecture put forward in [11,12]

can be formulated as follows (see [16]): *For bound conservative and scaling systems the quantity $W(x)$, Eq. (6), possesses a limit distribution for $x \rightarrow \infty$. This distribution is absolutely continuous with respect to the Lebesgue measure on the real line, with a density $P(W)$ defined by*

$$\begin{aligned} \lim_{T \rightarrow \infty} \frac{1}{(c-1)T} \int_T^{cT} g(W(x)) \rho(x/T) dx \\ = \int_{-\infty}^{\infty} g(W) P(W) dW, \end{aligned} \quad (8)$$

where $g(x)$ is a bounded continuous function, and $\rho(t) \geq 0$ is a continuous density on $[1, c]$ with $\frac{1}{c-1} \int_1^c \rho(t) dt = 1$.

Furthermore, the limit distribution has zero mean and unit variance,

$$\int_{-\infty}^{\infty} W P(W) dW = 0, \quad \int_{-\infty}^{\infty} W^2 P(W) dW = 1. \quad (9)$$

Now, the basic conjecture of [11,12] reads as follows: *If the corresponding classical system is strongly chaotic, having only isolated and unstable periodic orbits, then $P(W)$ is universally a Gaussian,*

$$P(W) = \frac{1}{\sqrt{2\pi}} \exp\left(-\frac{1}{2}W^2\right). \quad (10)$$

In contrast, a classically integrable system leads to a non-Gaussian density $P(W)$.

For large classes of integrable systems it has been proven that the limit distribution is not Gaussian, see [16,28–30] and references therein.

For chaotic systems this conjecture has been tested numerically in [12,9,15], and experimentally in [31]. A review and a detailed comparison between chaotic and non-chaotic systems is given in [16]. A Gaussian distribution for chaotic systems corresponds to maximum randomness for the fluctuations, whereas the mode fluctuation distribution for integrable systems is less random [12].

Berry's semiclassical analysis [32] gives results for the asymptotic behavior of the saturation behavior of the spectral rigidity. In a similar way one can determine the asymptotic behavior of $D(x)$. For generic integrable billiards one has

$$D(x) \sim \text{const.} \cdot \sqrt{x}. \quad (11)$$

For generic classically chaotic systems with anti-unitary symmetry (e.g. time-reversal symmetry) one obtains

$$D(x) \sim \frac{1}{2\pi^2} \ln x + \text{const.} \quad (12)$$

As discussed in [16] one can extend the conjecture to such chaotic systems, for which $N_{\text{fluc}}(k)$ is modulated by

a long range oscillation $N_{\text{long}}(k)$. In this case one has to include the additional term in the unfolding process, $\{x_n := \overline{N}(k_n) + N_{\text{long}}(k_n)\}$. This procedure has been used for instance in the case of the truncated hyperbola billiard, where a prominent contribution to $N(k)$ is given by families of closed non-periodic orbits running into a boundary point where the curvature is discontinuous [33]; see [12,16] for the result of $P(W)$ for this system.

The same is also necessary for the stadium billiard, where a family of marginally stable orbits, the bouncing ball orbits (bbo) gives rise to a strong modulation [19,34]. Taking the contribution of the bbo into account one observes excellent agreement of $P(W)$ with the Gaussian normal distribution [16].

III. EXPERIMENT

For a precise test of the distribution of the normalized mode fluctuations an accurate measurement of the resonances of all investigated microwave billiards is necessary. Since 1991, we have experimentally studied several two- and three-dimensional systems using superconducting microwave resonators of niobium. In Fig. 1 the shapes of some measured billiards with their dimensions are shown. Altogether five desymmetrized two-dimensional systems are investigated: a $\gamma = 1.8$ Bunimovich stadium billiard [35,19,36], a circular billiard (not desymmetrized) and three members of the family of limaçon billiards, which have first been theoretically studied as billiards in [37]. Their boundary is defined as the quadratic conformal map of the unit disc onto the complex w -plane: $w = z + \lambda z^2$, where $\lambda \in [0, 1/2]$ controls the chaoticity of the system. The billiards of the limaçon family are also called Pascalian snails, their shape has already been mentioned by A. Dürer in 1525 [38]. We also analyzed a desymmetrized three-dimensional Sinai billiard [39,40,22,41].

The measurements were carried out in a LHe-bath cryostat. The billiards were excited up to a frequency of 20 GHz, the upper limit of the used HP8510B vector network analyzer, using four capacitively coupling dipole antennas sitting in small holes on the niobium surface and penetrating up to a maximum of 1 mm into the cavity to avoid disturbances of the electromagnetic field inside the resonators. Using one antenna for the excitation and either another or the same one for the detection of the microwave signal, we were able to measure the transmission or the reflection spectrum of the resonators. The spectra were taken in 10 kHz-steps and the measured resonances have quality factors of up to $Q \approx 10^7$ and signal-to-noise ratios of up to $S/N \approx 70$ dB which made it easy to separate the resonances from each other and from the background even in the higher frequency range, where the level density strongly increases. Especially in the case of the circular billiard with mainly twofold degenerated resonances the advantage of using

superconducting cavities is obvious. Due to mechanical imperfections the degenerated modes show a very weak splitting, but nevertheless one is able to resolve all resonances. As a consequence, all the important characteristics like eigenfrequencies and widths could be extracted with a very high accuracy [42,43]. A detailed analysis of the original spectra yields a total number of 1000 - 1200 resonances for the 2D-billiards (about 660 resonances for the circular billiard), and nearly 1900 resonances for the 3D-billiard. A detailed comparison with numerical data confirms that the measured spectra are almost complete [44]. These eigenvalue sequences $\{k_1, k_2, \dots, k_n\}$ (with $k = 2\pi/c_0 f$ and c_0 is the speed of light) form the basis of the present test of the mode fluctuation distribution.

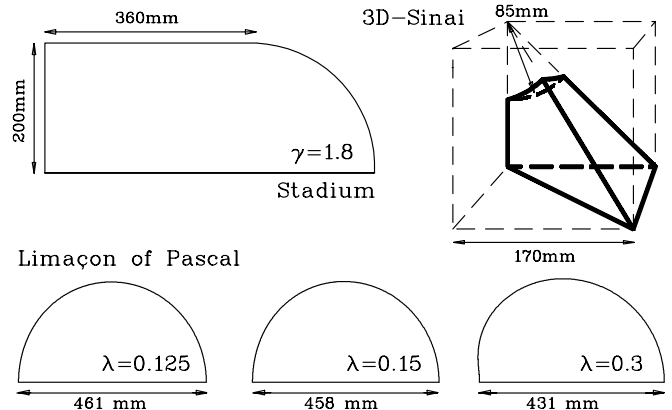


FIG. 1. Investigated billiard systems. In the upper part on the left side a Bunimovich stadium billiard ($\gamma = 1.8$) and on the right a 3D-Sinai billiard are illustrated. In the lower part three billiards of the limaçon family with different parameters λ are shown changing the chaoticity from nearly regular ($\lambda = 0.125$) to chaotic ($\lambda = 0.3$).

IV. APPLICATION TO THE MEASURED EIGENFREQUENCY SPECTRA

In this section we study the mode fluctuation distribution discussed in Sec. II for the experimentally investigated systems presented in Sec. III.

A. 2D-Bunimovich stadium billiard

First we want to discuss the results for the $\gamma = 1.8$ stadium billiard. As proven in [35] the stadium billiard is strongly chaotic (i.e. ergodic, mixing, K-system). Ergodicity, however, does not prevent a system from having a family of marginally stable periodic orbits, as long as they are of measure zero in phase space. In the stadium billiard such a family is given by the bouncing ball orbits (bbo), which have perpendicular reflections at the straight line segments. Their contribution dominates the fluctuating part of the spectral staircase function [19]. Therefore the above stated conjecture is in its basic form

not applicable (see however the refinement given in [16] and the discussion below). After unfolding the spectrum and calculating the distribution of the normalized mode fluctuation $W(x)$ according to Eq. (6) and (7), a density $P(W)$ results as shown in the left part of Fig. 2. Obviously it is not a Gaussian, the distribution is shifted to positive $W(x)$ due to the existence of the bbo. In fact, in [45] it is shown using the results of [34] that in this case $W(x)$ is a bounded function, such that the limit distribution $P(W)$ is not Gaussian.

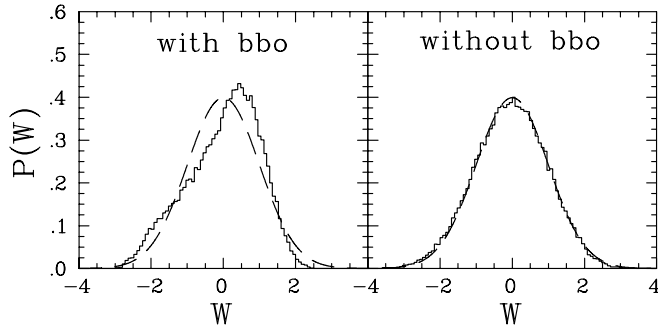


FIG. 2. Mode fluctuation distribution $P(W)$ for the $\gamma = 1.8$ Bunimovich stadium billiard. On the left side the distribution with bouncing ball orbits (bbo) is shown, which is asymmetric with bias to positive W . On the right side the distribution without bbo is displayed, which is in very good agreement with the Gaussian (dashed curve) expected for chaotic systems (Eq. (10)).

Since $P(W)$ is expected to show Gaussian behavior only if the corresponding classical system is strongly chaotic excluding stable or neutrally stable motion, the contribution of the bbo has to be taken into account in the unfolding procedure [16], see Sec. II. Finally, the predicted Gaussian distribution of $P(W)$ is obtained, as can be seen in the right part of Fig. 2. To have a measure how good the distribution $P(W)$ agrees with a Gaussian we use the Kolmogorov-Smirnov test, which gives a significance level computed from the maximum value of the absolute difference between the two cumulative distributions.

For the case with bbo one obtains a significance level of 57.2% and for the case with extracted bbo of 75.2%. The influence of the bbo which are visible in the distributions in Fig. 2 is also reflected in the value of the significance level.

To determine the normalized mode fluctuations, Eq. (6), we have calculated the fluctuating part $N_{\text{fluc}}(x)$ of the unfolded experimental spectra according to Eq. (5). For the variance $D(x)$, Eq. (7), we have used the ansatz $D(x) = \sqrt{\text{const.} \cdot x}$ for bbo-contribution included and $D(x) = 1/(2\pi^2) \ln(x) + \text{const.}$ after their extraction, see Sec. II. Then $W(x)$ was calculated for 10^5 to 10^6 randomly distributed values of x in the interval $[0, x_{\text{max}}]$, with x_{max} being the upper unfolded eigenenergy. The constant term in $D(x)$ was chosen according to Eq. (9) to

give a unit variance for the obtained distribution $P(W)$.

These results using the experimentally determined set of energy levels confirm our previous analysis using the numerically computed eigenspectrum [16].

B. 3D-Sinai billiard

Another investigated system where the bouncing ball orbits play an important role is the 3D-Sinai billiard, which is also proven to be strongly chaotic [39]. In contrast to the 2D-Bunimovich stadium billiard the 3D-Sinai billiard possesses families of bbo of dimension two and three. In Fig. 3 the mode fluctuation distributions with and without bbo are displayed. In the distribution with bbo (left part of Fig. 3) only slight deviations from the Gaussian occur, in particular a significant peak at $W \approx -3$ appears. Thus the influence of the bbo is less visible in the considered energy range as in the case of the distribution for the $\gamma = 1.8$ stadium billiard which might be due to the superpositions of different bbo. This confirms our previous results of [22]. Taking into account the contribution of the bbo modes one obtains the right part of Fig. 3. Calculating the significance level for the first case (with bbo) one obtains a value of 78.5% and for the second case (with extracted bbo) of 75.2%.

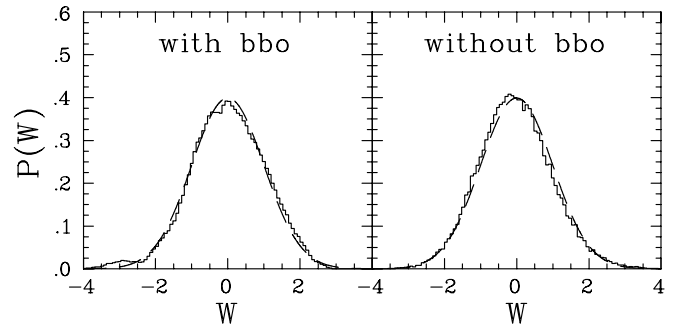


FIG. 3. Mode fluctuation distribution $P(W)$ for the 3D-Sinai billiard. On the left side the distribution with bouncing ball orbits (bbo) is shown, where at $W \approx -3$ a significant deviation from the Gaussian occurs. On the right side the distribution without bbo is displayed, which shows the predicted Gaussian behavior. Again the dashed curve is the expected Gaussian for chaotic systems (Eq. (10)).

C. Mixed 2D-limaçon billiards

In this section we test the conjecture stated in Sec. II for the billiards of the limaçon family. We have investigated three billiards of different chaoticity with parameters $\lambda = 0.125$, $\lambda = 0.15$ and $\lambda = 0.3$. Investigations of the classical Poincaré surface of section for these configurations have shown [46–48] that the fraction of the chaotic phase space is 55% ($\lambda = 0.125$), 66% ($\lambda = 0.15$) and nearly 100% ($\lambda = 0.3$). The quantum mechanical

counterpart of these three billiards exhibit the same behavior concerning their chaoticity [49,50], see also [48].

Therefore they are very suitable to study the conjecture. Note that the classical dynamics of the $\lambda = 0.3$ billiard is not completely ergodic, since small stability islands still exist [51], see also [52] for analytical results around $\lambda = 0.25$. However the corresponding islands of stability are so small that they do not affect the energy spectrum in the range under consideration.

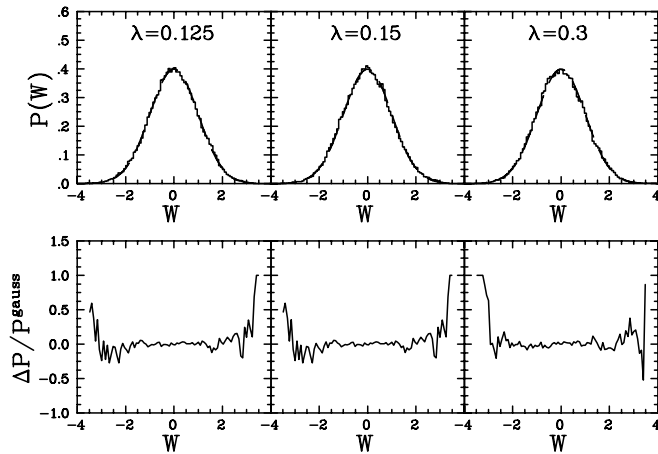


FIG. 4. Mode fluctuations distributions $P(W)$ for the three investigated billiards of the limaçon family in the upper part. All three distributions follow the predicted Gaussian for chaotic systems which is represented by the dashed curve (Eq. (10)). In the lower part the differences between the histogram and a Gaussian is plotted.

As can be seen in Fig. 4 the billiard with $\lambda = 0.3$ shows indeed the predicted Gaussian distribution $P(W)$. For the calculation of $P(W)$ we followed the same procedure described for the stadium billiard with an ansatz for the variance $D(x) = 1/(2\pi^2) \ln(x) + const.$. On the other hand the two billiards with $\lambda = 0.125$ and $\lambda = 0.15$ belong to the class of mixed systems. Their classical counterparts possess aside from isolated and unstable periodic orbits also stable orbits [37,48]. From this one would expect, that according to this the distribution $P(W)$ should show non-Gaussian behavior. However, the histograms in Fig. 4, obtained with assuming $D(x) \propto \sqrt{x}$, which gives a good description for $D(x)$ in the considered energy interval, allow no significant distinction between $P(W)$ and the Gaussian distribution, see also the lower part of Fig. 4, where the difference ΔP between a Gaussian and the calculated distribution $P(W)$ is shown. These characteristics are also expressed in the significance levels obtained from the Kolmogorov-Smirnov test which lie around 85%. Presumably one needs a large number of energy levels to be able to see significant deviations.

D. 2D-Circular billiard

Finally we have studied the mode fluctuation distribution for the circular billiard. Since this system is integrable, one would expect a deviation of the mode fluctuation distribution from a Gaussian due to the existence of neutrally stable periodic orbits. To obtain the distribution $P(W)$ we use the ansatz for the variance $D(x) = const. \cdot \sqrt{x}$. In Fig. 5 the distribution $P(W)$ is shown, which clearly deviates from the Gaussian. For the circular billiard one obtains a significance level of 67.1%.

This result is in contrast to the result of [31], where no difference between the mode fluctuation distribution for the numerical obtained eigenmodes of a regular system and a Gaussian for chaotic systems could be found, although nearly the same number of eigenfrequencies (≈ 660) are used.

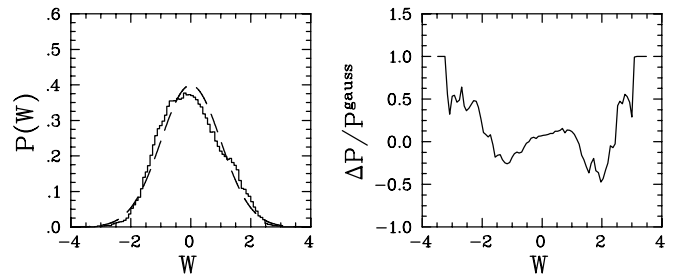


FIG. 5. Mode fluctuation distribution $P(W)$ for the circular billiard on the left side. The histogram shows the expected deviation from a Gaussian for chaotic systems which is represented by the dashed curve (Eq. (10)). On the right side one can see the difference between the Gaussian and the histogram.

V. CONCLUSION

In this paper we have studied the distribution of the normalized mode fluctuations for experimentally obtained high resolution eigenvalue spectra of several two- and three-dimensional superconducting microwave billiards. The conjecture for this statistical measure states that the distribution $P(W)$ of the normalized mode fluctuations for a given eigenvalue spectrum leads to a Gaussian when the corresponding classical system is strongly chaotic having only unstable and isolated periodic orbits.

This has been successfully tested using the eigenvalues of a $\gamma = 1.8$ stadium billiard and a 3D-Sinai billiard. Both systems are strongly chaotic, but possess families of bouncing ball orbits, whose contribution has been subtracted for the determination of $P(W)$. The same result has been obtained with a $\lambda = 0.3$ billiard of the limaçon family. Two other investigated billiards of the limaçon family, the $\lambda = 0.125$ and $\lambda = 0.15$ billiard, belong to the class of mixed systems. The fact that no visible difference from a Gaussian occurs in the distribution $P(W)$ might be due to the finite number of eigenvalues in the given

energy range we used to calculate the distribution and the chaoticities of the systems (55% resp. 66%) which are closer to chaotic than to regular dynamics. A variation of the included number of modes (500, 600, ..., 1100) in the mode fluctuation distribution shows no significant change in the results. In the case of the circular billiard we get a clear deviation from the Gaussian, as one would expect. This is in contrast to the result of [31], where no such difference for a regular system could be found.

Therefore characterizing the chaoticity using a small number of energy levels with the help of the conjecture stated in [12] is very difficult. For regular resp. chaotic systems the reachable number of eigenvalues obtained by experiments explained in Sec. III is sufficient to have satisfactory results for the mode fluctuation distribution. But for special regular (rectangular billiards [31]) or mixed systems the needed number of eigenvalues, approximately $10^4 - 10^6$, can experimentally only hardly be achieved, so that a practical usage of this conjecture to obtain informations about the chaoticity of such systems is limited.

VI. ACKNOWLEDGMENTS

We would like to thank H. Lengeler and the mechanical workshop at CERN/Geneva for the precise fabrication of the niobium resonators. A.B. is grateful to R. Aurich, T. Hesse, R. Schubert and F. Steiner for useful discussions and comments, and one of us (A.R.) acknowledges advice given by E. Bogomolny. This work has been supported by the Sonderforschungsbereich 185 "Nichtlineare Dynamik" of the Deutsche Forschungsgemeinschaft and in part by the Bundesministerium für Bildung und Forschung under contract number 06DA820. A.B. acknowledges support by the Deutsche Forschungsgemeinschaft under contract No. DFG-Ste 241/7-2.

-
- [1] M.V. Berry and M. Tabor, Proc. R. Soc. Lond. A **356**, 375 (1977).
- [2] S.W. McDonald and A.N. Kaufman, Phys. Rev. Lett. **42**, 1189 (1979).
- [3] G. Casati, F. Valz-Gris, and I. Guarnieri, Lett. Nuovo Cimento **28**, 279 (1980).
- [4] O. Bohigas, M.-J. Giannoni, and C. Schmit, Phys. Rev. Lett. **52**, 1 (1984).
- [5] R. Aurich and F. Steiner, Physica D **39**, 169 (1989).
- [6] E.B. Bogomolny, B. Georgeot, M.-J. Giannoni, and C. Schmit, Phys. Rev. Lett. **69**, 1477 (1992).
- [7] J. Bolte, G. Steil, and F. Steiner, Phys. Rev. Lett. **69**, 2188 (1992).
- [8] J. Bolte, Int. J. Mod. Phys. B **7**, 4451 (1993).
- [9] R. Aurich, F. Scheffler, and F. Steiner, Phys. Rev. E **51**, 4173 (1995).
- [10] P. Sarnak, Isr. Math. Conf. Proc. **8**, 183 (1995).
- [11] F. Steiner, in *Schlaglichter der Forschung. Zum 75. Jahrestag der Universität Hamburg 1994*, (ed. R. Anson) Festschrift published on the occasion of the 75th anniversary of the University of Hamburg, pp. 543–564 (Dietrich Reimer Verlag, Berlin und Hamburg, 1994).
- [12] R. Aurich, J. Bolte, and F. Steiner, Phys. Rev. Lett. **73**, 1356 (1994).
- [13] A. Cheng and J.L. Lebowitz, Phys. Rev. A. **44**, R3399 (1991).
- [14] E. Bogomolny and C. Schmit, Nonlinearity **6**, 523 (1993).
- [15] A. Bäcker, F. Steiner, and P. Stifter, Phys. Rev. E **52**, 2463 (1995).
- [16] R. Aurich, A. Bäcker, and F. Steiner, Int. J. Mod. Phys. B **11**, 805 (1997).
- [17] H.-J. Stöckmann and J. Stein, Phys. Rev. Lett. **64**, 2215 (1990).
- [18] S. Sridhar, Phys. Rev. Lett. **67**, 785 (1991).
- [19] H.-D. Gräf, H.L. Harney, H. Lengeler, C.H. Lewenkopf, C. Rangacharyulu, A. Richter, P. Schardt, and H.A. Weidenmüller, Phys. Rev. Lett. **69**, 1296 (1992).
- [20] S. Deus, P.M. Koch, and L. Sirko, Phys. Rev. E **52**, 1146 (1995).
- [21] H. Alt, H.-D. Gräf, R. Hofferbert, C. Rangacharyulu, H. Rehfeld, A. Richter, P. Schardt, and A. Wirzba, Phys. Rev. E **54**, 2303 (1996).
- [22] H. Alt, C. Dembowski, R. Hofferbert, H. Rehfeld, A. Richter, R. Schuhmann, and T. Weiland, Phys. Rev. Lett. **79**, 1026 (1997).
- [23] H. Baltés and E. Hilf, *Spectra of finite systems* (Bibliographisches Institut, Mannheim; Wien; Zürich, 1976).
- [24] W. Lukosz, Z. Physik **262**, 327 (1973).
- [25] R. Balian and B. Duplantier, Ann. Phys. **104**, 300 (1977).
- [26] C.E. Porter (ed.), *Statistical theories of spectra: fluctuations* (Academic Press, New York, 1965).
- [27] O. Bohigas and M.-J. Giannoni, in *Mathematical and Computational Methods in Nuclear Physics*, Lecture Notes in Physics **209**, edited by J.S. Dehesa, J.M.G. Gomez, and A. Polls, p.1 (Springer, Berlin, 1984).
- [28] P. M. Bleher, F. J. Dyson, and J. L. Lebowitz, Phys. Rev. Lett. **71**, 3047 (1993).
- [29] D. V. Kosygin, A. A. Minasov, and Ya. G. Sinai, Russ. Math. Surveys **48**, 1 (1993).
- [30] P. M. Bleher, IUPUI Preprint # 96-11 (1996), to be published in the Proceedings of the Workshop "Emerging Applications of Number Theory", July 15–26, 1996 (University of Minnesota, Minneapolis).
- [31] L. Sirko and P. M. Koch, Phys. Rev. E **54**, R21 (1996).
- [32] M. V. Berry, Proc. R. Soc. Lond. A **400**, 229 (1985).
- [33] R. Aurich, T. Hesse and F. Steiner, Phys. Rev. Lett. **74**, 4408 (1994).
- [34] M. Sieber, U. Smilansky, S. C. Creagh, and R. G. Littlejohn, J. Phys. A **26**, 6217 (1993).
- [35] L.A. Bunimovich, Funct. Anal. Appl. **8**, 254 (1974); Commun. Math. Phys. **65** 295 (1979).
- [36] H. Alt, H.-D. Gräf, H.L. Harney, R. Hofferbert, H. Lengeler, A. Richter, P. Schardt, and H.A. Weidenmüller, Phys. Rev. Lett. **74**, 62 (1995).

- [37] M. Robnik, *J. Phys. A* **16**, 3971 (1983).
- [38] A. Dürer, *Underweysung der Messung mit dem Zirckel un Richtscheyt in Linien, Ebenen unnd gantzen Corporen* (1525), (2nd reprint, Uhl, Nördlingen, 1983).
- [39] Ya. G. Sinai, *Russ. Math. Surveys* **25** 137 (1970).
- [40] H. Primack and U. Smilansky, *Phys. Rev. Lett.* **74**, 4831 (1995).
- [41] H. Primack, *Quantal and semiclassical analysis of the three-dimensional Sinai billiard*, Phd-Thesis, (Department of Physics of Complex Systems, The Weizman Institute, Rehovot Israel, 1997).
- [42] H. Alt, P. v. Brentano, H.-D. Gräf, R.-D. Herzberg, M. Phillip, A. Richter, and P. Schardt, *Nucl. Phys. A* **560**, 293 (1993).
- [43] H. Alt, P. v. Brentano, H.-D. Gräf, R. Hofferbert, M. Phillip, H. Rehfeld, A. Richter, and P. Schardt, *Phys. Lett. B* **366**, 7 (1996).
- [44] H. Alt, C. Dembowski, H.-D. Gräf, T. Hesse, R. Hofferbert, H. Rehfeld, A. Richter, and F. Steiner, in preparation.
- [45] J. Bolte, *Semiclassical Trace Formulae and Eigenvalue Statistics in Quantum Chaos*, Ulm report ULM-TP/97-2 (1997), to be published in the Proceedings of the 3rd International Summer School / Conference “Let’s Face Chaos through Nonlinear Dynamics” (24.6.-5.7.1996, Maribor, Slowenija).
- [46] H. Rehfeld, Diploma Thesis, TH Darmstadt (1996), unpublished.
- [47] H. Rehfeld, H. Alt, C. Dembowski, H.-D. Gräf, R. Hofferbert, H. Lengeler, and A. Richter, *Wave Dynamical Chaos in Superconducting Microwave Billiards*, IKDA 96/40 (1996), to be published in the Proceedings of the 3rd International Summer School / Conference “Let’s Face Chaos through Nonlinear Dynamics” (24.6.-5.7.1996, Maribor, Slowenija).
- [48] A. Richter, *Playing Billiards with Microwaves – Quantum Manifestations of Classical Chaos*, IKDA 97/1 (1997), to be published in the Proceedings of the Workshop “Emerging Applications of Number Theory” July 15 - 26, 1996 (University of Minnesota, Minneapolis).
- [49] M.V. Berry and M. Robnik, *J. Phys. A* **17** 2413 (1984)
- [50] T. Prosen and M. Robnik, *J. Phys. A* **26** 2371 (1993)
- [51] H.R. Dullin and A. Bäcker, (1996), unpublished.
- [52] A. Hayli, T. Dumont, J. Moulin-Ollagnier, and J.-M. Strelcyin, *J. Phys. A* **20**, 3237 (1987).