

# LonGSp: the Gornergrat Longslit Infrared Spectrometer

L. Vanzi<sup>1</sup>, M. Sozzi<sup>2</sup>, G. Marcucci<sup>1</sup>, A. Marconi<sup>1</sup>, F. Mannucci<sup>2</sup>, F. Lisi<sup>3</sup>, L. Hunt<sup>2</sup>, E. Giani<sup>1</sup>, S. Gennari<sup>3</sup>, V. Biliotti<sup>3</sup>, and C. Baffa<sup>3</sup>

<sup>1</sup> Dipartimento di Astronomia e Scienza dello Spazio, Università di Firenze, Largo E. Fermi 5, I-50125 Firenze, Italy

<sup>2</sup> Centro per l'Astronomia Infrarossa e lo Studio del Mezzo Interstellare-CNR, Largo E. Fermi 5, I-50125 Firenze, Italy

<sup>3</sup> Osservatorio Astrofisico di Arcetri, Largo E. Fermi 5, I-50125 Firenze, Italy

Received ...

**Abstract.** We present a near-infrared cooled grating spectrometer that has been developed at the Arcetri Astrophysical Observatory for the 1.5 m Infrared Telescope at Gornergrat (TIRGO).

The spectrometer is equipped with cooled reflective optics and a grating in Littrow configuration. The detector is an engineering grade Rockwell NICMOS3 array (256×256 pixels of 40μm). The scale on the focal plane is 1.73 arcsec/pixel and the field of view along the slit is 70 arcsec. The accessible spectral range is 0.95 – 2.5μm with a dispersion, at first order, of about 11.5 Å/pixel. This paper presents a complete description of the instrument, including its optics and cryo-mechanical system, along with astronomical results from test observations, started in 1994. Since January 1996, LonGSp is offered to TIRGO users and employed in several Galactic and extragalactic programs.

**Key words:** Instrumentation: Spectrometers, Near Infrared

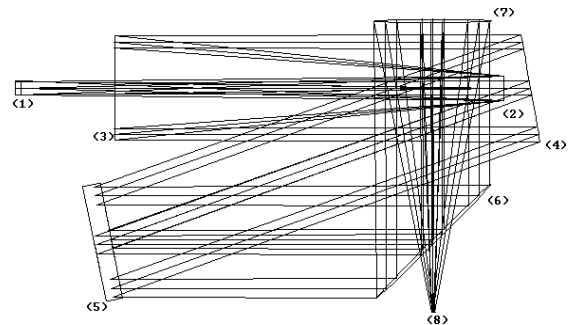
## 1. Introduction

The development of the spectrometer LonGSp (Longslit Gornergrat Spectrometer) was part of a project aimed at providing the 1.5-m Infrared Telescope at Gornergrat (TIRGO) with a new series of instruments based on NICMOS3 detectors. The infrared (IR) camera, ARNICA, developed in the context of this project is described in Lisi et al. (1995). LonGSp is an upgrade of GoSpec (Lisi et al. 1990), the IR spectrometer operating at TIRGO since October 1988. Thanks to the NICMOS detector, the new spectrometer enables longslit spectroscopy with background limited performance (BLP). The GoSpec characteristics of compactness and simplicity are maintained in the new instrument. Only a subsection of the engineering

grade array (40×256 pixels) is used. A description of the optics, cryogenics, and mechanics is presented in Section 2 and 3; the electronics, software and the performance of the detector are presented in Section 4 and 5. Finally, in Section 6 we present details regarding the observations and data reduction, and in Section 7 the results of the first tests at the telescope.

## 2. Optical Design

The optical scheme of the instrument is sketched in Fig. 1; it is designed to match the f/20 focal ratio of the TIRGO telescope.



**Fig. 1.** Optical diagram of instrument. The optical components of the instrument include (enumeration follows the path of radiation): (1) field lens, (2) secondary mirror and (3) primary mirror of the collimator (an inverted cassegrain), (4) a plane mirror, (5) the grating, (6) the plane mirror, (7) the paraboloidal mirror of the camera, and (8) the detector.

Following the optical path from the telescope, the beam encounters the window of the dewar, the order sorting filter, a field lens, and the slit; the latter resides at the focal plane of telescope. The window and field lens are composed of calcium fluoride. Filters and slits are respectively mounted on two wheels and can be quickly changed during the observations. The field lens images the pupil

on the secondary mirror of an inverted cassegrain (with focal length of 1400 mm) that produces a parallel beam 70 mm in diameter. This beam is reflected onto the grating by a flat mirror tilted by  $10^\circ$ . The grating, arranged in Littrow configuration, has 150 grooves/mm and a blaze wavelength of  $2\mu\text{m}$  at first order; rotation around the  $10^\circ$  tilted axis allows the selection of wavelengths and orders. A modified Pfund camera (with focal length of 225 mm) following the grating, collects the dispersed beams on the detector. The sky-projected pixel size is 1.73 arcsec, and the total field covered along the slit direction is 70 arcsec.

The back face of the grating is a flat mirror so that, when the grating is rotated by 180 degrees, the instrument functions as a camera, in the band defined by the filters, with a field of view of about 1.5 arcmin square. This facility can be useful for tests, maintenance, and for centering weak sources on the slit.

All the mirrors are gold coated to provide good efficiency over a wide spectral range, and the optics are achromatic at least up to  $5\mu\text{m}$ . The optical components are cooled to about 80 K by means of thermal contact with a cryogenic vessel filled with liquid nitrogen at atmospheric pressure as described below. The mounting of optical elements is designed to take into account the dimensional changes between mirrors (in pyrex) and supports (in aluminium) generated by the cooling and the differences in thermal expansion coefficients.

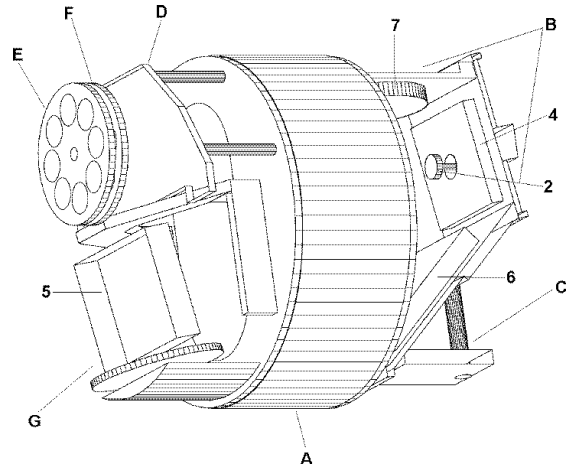
The resolving power is (for first order) about 600 in the center of J band, and 950 in the center of the K band, using a slit of two pixels (3.46 arcsec).

### 3. Cryogenics and Mechanics

As can be seen in Fig. 2, where we show some parts of the mechanical structure of the instrument, the core of the instrument is the liquid nitrogen reservoir, which has a toroidal shape with rectangular cross section and a capacity of 3 liters. It provides support and cooling for two optical benches, which are located on opposite sides of the vessel. The central hole of the toroid allows the beam to pass from one optical bench to the other.

The grating motion is assured by an external stepper motor via a ferrofluidic feedthrough, and the position is controlled by an encoder connected to the motor axis outside the dewar. Two springs acting on the worm gear guarantee good stability of the grating position. Two internal stepper motors, modified to operate at cryogenic temperatures (Gennari et al. 1993), drive the filter and slit wheels.

Mechanics and optics are enclosed in a radiation shield. The internal cold structure is supported by nine low-thermal-conductivity rods, which are fixed between the internal liquid nitrogen reservoir and the external vacuum shield, and are rigidly linked to the focal plane adaptor of the telescope. Externally, the instrument has the form



**Fig. 2.** Mechanical arrangement of instrument. The optical parts have the same enumeration as in Fig. 1. (A) liquid nitrogen vessel, (B) support of mirrors in the back side of instruments, (C) support of the detector, (D) support of primary mirror of collimator, (E) filter wheel, (F) slit wheel (each slit support a field lens), (G) grating mounting and wheel for positioning in wavelength.

of a cylinder with a base of about 40 cm in diameter and length of about 60 cm.

A small amount of active charcoal is present to maintain the value of the pressure required (less than  $10^{-4}$  mb) for a sufficiently long time (more than 20 days). The charcoal is cooled by an independent cryogenic system; in the rear optical bench there is a smaller nitrogen vessel ( $\sim 0.5$  l) thermally insulated from the surrounding environment. The regeneration of the charcoal must be carried out once a month in order to maintain a sufficiently high absorption rate. This operation consists of heating the charcoal to 300 K, while the pressure inside the dewar is maintained below  $10^{-1}$  mb by means of a rotary vacuum pump. Because the charcoal is cooled by an independent cryogenic system, the heating of the optics and the main part of the mechanical structure is not necessary and the operation can be completed in about four hours.

To cool and warm the entire instrument reasonably quickly, the dewar is filled with gaseous nitrogen at a pressure of about 200 mb during the cooling and heating phases: in this way the thermal transients prove to be shorter than seven hours. The rate of evaporation of the nitrogen from the main reservoir allows about 16 hours of operation in working conditions, more than a winter night of observation.

### 4. Electronics and Software

The electronics of LonGSp comprise two main parts: “upper” electronics, that are situated near the instrument, and the “lower” electronics in the control room. The connection between the two parts is assured via a fiber-optics

link. Two boards, close to the cryostat, house part of the interface electronics, that is a set of four preamplifiers and level shifters and an array of drivers and filters that feed the clock signals and the bias to the array multiplexer.

The “upper” electronics are composed of an intelligent multi-part sequence generator and a data acquisition section. The first is controlled by a microprocessor (a Rockwell 65C02), and the sequencer is capable of generating many different waveforms template (at 8 bits depth) stored in an array of 128 Kbytes of memory. The final waveform is generated by selecting, via software, the templates needed together with their repetitions.

The data acquisition segment consists of a bank of four analog-to-digital converters at 16 bits, and the logic for converting them to serial format. A transceiver sends data to the telescope control room through a fiber optics link. Data are sent as groups of four, one for each quadrant, and are presented together with the quadrant identifier (two bits) to the frame grabber. The fiber optics link is bidirectional, so that it is possible to send instructions to the control microprocessor in the “upper” electronics, and to communicate with the motor control through a serial connection (RS-232) encoded on the same fiber-optics link. The “upper” electronics are completed by the box which contains the power supply, the stepper motors controllers, and the temperature controller of the array.

The “lower” electronics implement the logic to decode the serial data protocol, in order to correctly reconstruct the frame coming from the array detector. Data are collected by the custom frame grabber (known as the “Ping-Pong”) which is capable of acquiring up to four images in each of its two banks. When a bank is written, the other can be read, enabling continuous fast acquisitions. Also of note is the ability to re-synchronize data acquisition to the quadrant address, virtually eliminating mis-aligned frames.

The instrument is controlled by an MS-DOS PC equipped with a 80486 CPU (33 MHz clock), high-resolution monitor, and 600 Mbytes of hard disk space. At the end of a data acquisition sequence, each single frame or the stack average of a group of frames is stored on the PC hard disk, and are later transferred to optical disk (WORM) storage. In the near future, the WORM cartridges will be superseded by more standard writable CD-ROM cartridges. A local Ethernet network connects the control computer to the TIRGO Sun workstation, so that it is possible to transfer the data for preliminary reduction using standard packages.

The software developed for this instrument is “layer organized”, that is to say organized as a stack of many layers of subroutines of similar levels of complexity. To accomplish its task, each routine need rely only on the immediately adjacent level and on global utility packages. Such a structure greatly simplifies the development and maintenance of the software.

Our efforts were directed towards several different requirements. Our first priority was to have a flexible laboratory and telescope engine, capable of acquiring easily the large quantity of data a panoramic IR array can produce. The human interface is realized through a fast character-based menu interface. The operator is presented only with the options which are currently selectable, and the menu is rearranged on the basis of user choices or operations.

We have also stressed the auto-documentation of data. After the decision to store data in standard FITS format, it was deemed useful to fully exploit the header facility to label each frame with all relevant information, such as telescope status, instrument status, and user acquisition choices. Data are also labelled with the observer name in order to facilitate data retrieval from our permanent archive. In particular, the form of the FITS file is completely compatible with the context IRSPEC of the ESO package MIDAS.

Finally, one of our main goals was to produce an easy-to-use software and with the smallest “learning curve”. Our idea was that data acquisition must *disappear* from observer attention, giving him/her the possibility to concentrate on the details of the observations; in this way, observing efficiency is much higher. As a result, we have implemented automatic procedures such as multi-position (“mosaic”), and multi-exposure (stack of many frames).

## 5. Detector Performance

Although the spectrometer was initially designed to use a subsection 40x100 of a NICMOS3 detector, we found later that very good performance can be obtained on an even larger area. Using 256 pixels in the wavelength direction, we have a spectral coverage of almost 0.3  $\mu\text{m}$ . This means that with a single grating setting we can measure a complete J spectrum and have good coverage in H and K.

The best 40x256 subsection was selected on the basis of good cosmetics (low percentage of bad pixels) and low dark current and readout noise. We measured the percentage of bad pixels, the dark current, and the readout noise via laboratory tests based on sets of images taken at a series of exposure times of a spatially uniformly illuminated scene, and without any illumination (by substituting the filter with a cold stop).

The readout noise is determined as the mean standard deviation of each pixel in the stack of short integration times where the dark current is negligible. The dark current and gain measurement are based on two linear regressions: values of dark frames as a function of exposure time in the first case, and spatial medians of the stack variance relative to the stack median in the second one. Details of these tests are presented in Vanzi et al. (1995). In Table 1, we present the results of further tests carried out in April 1995.

**Table 1.** Measured parameters of the detector

Bad pixels	2.9%
Dark current	$0.9 e^-/\text{sec}$
Read out noise	$45 e^-$

## 6. Observations and Data Reduction

The procedures for LonGSp observations are those commonly used in NIR spectroscopy, optimized for the characteristics of the instrument. For compact sources, observations consist of several groups of frames with the object placed at different positions along the slit. In the case of extended sources, observations consist of several pairs of object and sky frames. On-chip integration time is 60 sec or less for a background level of roughly 6000 counts/pixel because of ensuing problems with sky line subtraction (see below). At a given position along the slit, several frames can be coadded.

The main steps in the reduction of NIR spectroscopic data are flat-field correction, subtraction of sky emission, wavelength calibration, correction for telluric absorption, and correction for optical system + detector efficiency. Data reduction can be performed using the IRSPEC context in MIDAS, the ESO data analysis package, properly modified to take into account the LonGSp instrumental setup. We have found it useful to acquire dark and flat frames at the beginning and the end of the night; we obtain flat-field frames by illuminating the dome with a halogen lamp.

Observations of a reference star are taken for a fixed grating position. An early type, featureless star (preferably an O star) is needed to correct for telluric absorption and differential efficiency of the system, and a photometric standard star is needed if one wants to flux calibrate the final spectrum (only one grating position in each band is required). An alternative technique, proposed by Maiolino et al (1996), consists of using a G star corrected through data of solar spectrum. Both methods have been successfully tested.

Flat field frames are first corrected for bad pixels, then dark-current subtracted, and normalized. Dark current is subtracted from all raw frames, and then divided by the normalized flat field.

For compact sources (the frames taken at the different positions along the slit are denoted by A, B and C), the sky is subtracted by considering  $A - B$ ,  $B - (A + C)/2$ , and  $C - B$ , and taking a median of the three differences. In case of extended objects, if A and B denote object and sky frames, the sky is subtracted by considering  $(A1 + A2)/2 - (B1 + B2)/2$  (the order of observations is  $A1 B1 B2 A2$ ). However, a simple sky subtraction is almost never sufficient to properly eliminate the bright OH lines whose intensity varies on time scales comparable

with object and sky observations. Moreover, mechanical instabilities can produce movements of spectra (usually a few hundreds of a pixel) which are nevertheless enough to produce residuals which exceed the detector noise. To correct for these two effects, the sky frames are multiplied by a correcting factor and shifted along the dispersion direction by a given amount. These factors and shifts are chosen automatically by minimizing the standard deviation in selected detector areas where only sky emission is present. Because this effect increases with the integration time, it is advisable not to exceed 60 seconds for each single integration.

Slit images at various wavelengths are tilted as a consequence of the off-axis mount of the grating. Sky subtracted frames are corrected by computing analytically the tilt angle from the instrumental calibration parameters, or by directly measuring it from the data.

Wavelength calibration in LonGSp data is performed using OH sky emission lines. The wavelength dispersion on the array is linear to within a small fraction of the pixel size and is computed analytically once the central wavelength of the frame is known. At the beginning of the data reduction, the nominal central wavelength used in the observations is assigned to a properly chosen sky frame. Then the calibration is refined using the bright OH sky lines (precise wavelengths of OH lines as well as a discussion of their use as calibrators are given in Oliva & Origlia 1992).

The same procedures are applied to the reference stars frames to obtain the calibration spectra, and the spectrum of a photometric standard star can be used to flux calibrate the final frames.

## 7. Astronomical Results

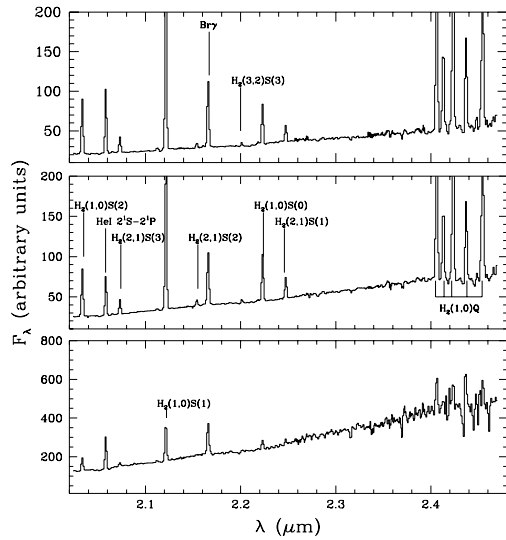
The first tests at the telescope took place successfully in early 1994. From these observations we measured the efficiency of the instrument (through the observation of photometric standard stars) and its sensitivity ( $1\sigma$  in 60 sec of integration time); these are reported in table 2.

**Table 2.** Astronomical performance

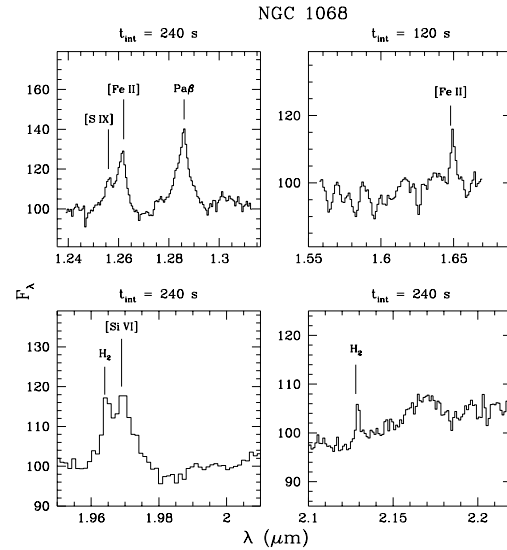
Band(order)	Efficiency	Line <sup>1</sup>	Continuum <sup>2</sup>
J (I)	0.045	$4 \times 10^{-14}$	$2 \times 10^{-15}$
H (I)	0.10	$2 \times 10^{-14}$	$8 \times 10^{-16}$
K (I)	0.08	$2 \times 10^{-14}$	$8 \times 10^{-16}$

<sup>1</sup>  $erg cm^{-2} s^{-1}$     <sup>2</sup>  $erg cm^{-2} s^{-1} \text{\AA}^{-1}$

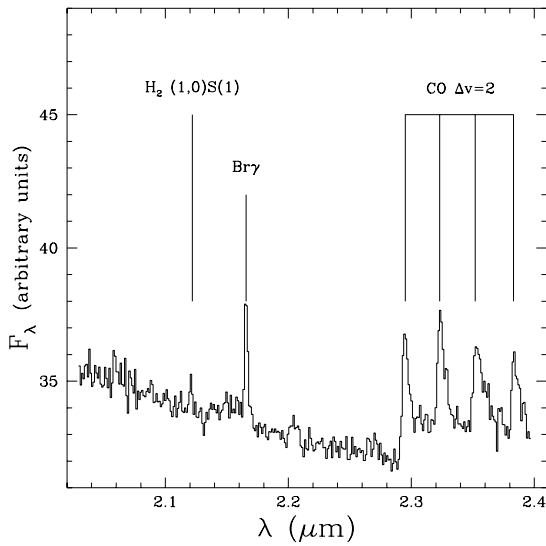
Since January 1996, LonGSp is offered to TIRGO users and employed in several galactic and extragalactic programs. To give an impression of the capabilities of the instrument, we show (in Figs. 3,4 and 5) some acquired



**Fig. 3.** Pk2 in Orion, three positions along the slit, with a total integration time of 60 sec.



**Fig. 5.** Spectrum of the Seyfert 2 NGC 1068.



**Fig. 4.** The spectrum of LkHa215 (Ae/Be star) in K band, with a total integration time of 60 sec.

spectra of various type of sources: extended, compact and extragalactic, without comment as to their astrophysical significance.

## References

Gennari S., Mannucci, F., Vanzi L., 1993, Cryogenic stepper motors for infrared astronomical instrumentation. In: A. M. Fowler (ed.) Proc. SPIE 1946, International Symposium on Optical Engineering and Photonics in Aerospace and Remote Sensing, p. 610

Gennari S., Vanzi L., 1993, LonGSp: the new infrared spectrometer of TIRGO. In: R. Bandiera (ed.) Proc. XXXVII Annual Meeting of the S.A.It., p. 752  
 Gennari S., Vanzi L., 1994, LonGSp: a near infrared spectrometer. In: I. McLean (ed.) Infrared astronomy with arrays, Kluwer Academic Publishers, p. 351  
 Lisi F, Baffa C., Biliotti V., et al., 1995, PASP 108, 364  
 Maiolino R., Rieke G.H., Rieke M.J., 1996, AJ 111, 537  
 Oliva E., Origlia L. 1992, A&A 254, 466  
 Vanzi L., Gennari S., Marconi A., 1994, NICMOS3 detector for astronomical spectroscopy, IAU Symp. 167, Com. N. 167.Or.031