

Free Parametrization of \mathcal{L}_2 -bounded State Space Models

Leonardo Massai and Giancarlo Ferrari-Trecate

Abstract—Structured state-space models (SSMs) have emerged as a powerful architecture in machine learning and control, featuring stacked layers where each consists of a linear time-invariant (LTI) discrete-time system followed by a nonlinearity. While SSMs offer computational efficiency and excel in long-sequence predictions, their widespread adoption in applications like system identification and optimal control is hindered by the challenge of ensuring their stability and robustness properties. We introduce L2RU, a novel parametrization of SSMs that guarantees input-output stability and robustness by enforcing a prescribed \mathcal{L}_2 -bound for all parameter values. This design eliminates the need for complex constraints, allowing unconstrained optimization over L2RUs by using standard methods such as gradient descent. Leveraging tools from system theory and convex optimization, we derive a non-conservative parametrization of square discrete-time LTI systems with a specified \mathcal{L}_2 -bound, forming the foundation of the L2RU architecture. Additionally, we enhance its performance with a bespoke initialization strategy optimized for long input sequences. Through a system identification task, we validate L2RU’s superior performance, showcasing its potential in learning and control applications.

I. INTRODUCTION

In recent years, a surge of research interest has been witnessed in deep-learning foundation models for control. A wide range of increasingly sophisticated architectures, from Recurrent Neural Networks (RNNs) [1]–[3] to Transformers [4], [5], have been proposed for nonlinear system identification and optimal control, where they serve as parametrizations for highly nonlinear controllers. A significant portion of this research has focused on developing parametrizations that enforce specific stability properties, which are often critical in control applications. For example, in system identification, ensuring a priori that learned dynamical models possess guaranteed stability and robustness is essential whenever the system generating the data exhibits these properties. Similarly, in optimal control the search space is typically constrained to stabilizing controllers. Several parameterization techniques have been explored to achieve these stability guarantees. In [6], [7] Neural Networks (NNs) and convolutional NNs with prescribed tight Lipschitz-bounds are studied, while [8] introduces Recurrent Equilibrium Networks (RENs), a class of RNNs with guaranteed dissipativity properties, ensuring finite \mathcal{L}_2 -gain and contractivity.

Another class of models that has recently gained significant attention in machine learning and control are the

Structured State-space Models (SSMs). The interest in SSMs, an architecture composed of multiple layers of LTI discrete-time systems followed by nonlinear functions, was ignited by the work in [9], where the S4 architecture was introduced. SSMs are computationally efficient due to algorithms such as Parallel Scan [10] and have been shown to offer performance on long-context tasks comparable to state-of-the-art Transformers [11]. Since then, numerous variants have been proposed, leveraging different discretization schemes, nonlinearities and parametrizations for the underlying LTI systems [12] (see [13] for a comprehensive survey). Notably, in [14] the authors investigated a direct discrete-time parametrization of LTI subsystems, leading to the Linear Recurrent Unit (LRU) architecture. Furthermore, due to the relatively simple structure of the recurrent component (the LTI system), SSMs are more interpretable and amenable to formal analysis compared to architectures like Transformers, especially when viewed through the lens of control theory. Notably, all SSM architectures mentioned above enforce certain forms of input-to-state stability by directly parametrizing stable LTI systems, as discussed in [15].

Contributions: Motivated by the desire to combine the efficiency and learning power of SSMs with the need for strong stability guarantees, we introduce a novel parametrization of SSMs that guarantees input/output stability and robustness, certified by a prescribed \mathcal{L}_2 -bound, which quantifies the worst-case amplification of the output for any finite input. We refer to our architecture as L2RU, highlighting both its connection to the concept of \mathcal{L}_2 -gain and its similarities to the LRU introduced in [14]. The ability to enforce an \mathcal{L}_2 -bound a priori is crucial for applications requiring strict robustness guarantees, such as system identification and optimal control with stability constraints [16]. This holds in both centralized and distributed settings [17], where models with prescribed \mathcal{L}_2 -bounds enable the construction of networked stable systems [18], [19]. Furthermore, in learning tasks, a certifiable and quantifiable robustness property enhances the resilience of the model against adversarial attacks [20]. Importantly, the proposed parametrization is free in the sense that the prescribed \mathcal{L}_2 -bound is guaranteed for all parameter values, eliminating the need for complex constraints. This allows L2RUs to be optimized via unconstrained optimization techniques, such as stochastic gradient descent and off-the-shelf automatic differentiation tools.

Our contributions are twofold. First, we derive a non-conservative free parametrization of a class of DT LTI systems with a given \mathcal{L}_2 -bound. Secondly, we leverage this key result to build our novel L2RU architecture, for which we also introduce an initialization strategy designed to

This research has been supported by the Swiss National Science Foundation under the NCCR Automation (grant agreement 51NF40_180545).

The authors are with the Institute of Mechanical Engineering, Ecole Polytechnique Fédérale de Lausanne (EPFL), CH-1015 Lausanne, Switzerland. (email: {l.massai, giancarlo.ferraritrecate}@epfl.ch)

improve performance when processing long input sequences. We conclude with a numerical example demonstrating the effectiveness of our approach in a system identification task.

NOTATION

Throughout the paper, vectors are denoted with lowercase, matrices with uppercase, and sets with calligraphic letters. Sequences of vectors are denoted with bold lowercase and the set of all sequences $\mathbf{v} = (v_0, v_1, v_2, \dots)$, where $v_t \in \mathbb{R}^n$ for all $t \in \mathbb{N}$, is denoted with \mathcal{L}^n . Moreover, \mathbf{v} belongs to the set of square-integrable sequences $\mathcal{L}_2^n \subset \mathcal{L}^n$ if $\|\mathbf{v}\|_2 = (\sum_{t=0}^{\infty} \|v_t\|_2^2)^{\frac{1}{2}} < \infty$. The set of $n \times n$ orthogonal matrices is denoted with $\mathcal{O}(n)$ and the group of special orthogonal matrices with positive determinant with $\mathcal{SO}(n)$. The expression $A \succ 0$ ($A \succeq 0$) defines a positive (semi) definite matrix A . The spectrum (set of eigenvalues) of A is denoted with $\lambda(A)$, its partition into conformal blocks with $A = \text{Blk}(A_{11}, A_{12}, A_{21}, A_{22})$ and, for $A \succ 0$, its Cholesky decomposition with $A = L_A L_A^\top$. The identity matrix is indicated with I , regardless of its dimension. We indicate the logistic function with $\sigma(x) := \frac{1}{1+e^{-x}}$. Finally, whenever convenient, we use the natural isomorphisms $\mathbb{R}^n \times \mathbb{R}^m \cong \mathbb{R}^{n+m}$ and $\mathbb{R}^{n \times m} \cong \mathbb{R}^{nm}$, identifying elements via concatenation and column-stacking, respectively.

II. PRELIMINARIES AND PROBLEM SETUP

A foundation model can be seen as a map $f_\theta : \mathcal{L}^{n_u} \mapsto \mathcal{L}^{n_y}$, with $n_u, n_y \in \mathbb{N}$, depending on a parameter $\theta \in \mathbb{R}^n$ and differentiable with respect to it, between a sequence of input $\mathbf{u} \in \mathcal{L}^{n_u}$ and output $\mathbf{y} \in \mathcal{L}^{n_y}$, i.e., $\mathbf{y} = f_\theta(\mathbf{u})$. This map can be a static function (memory-less model) as a Multi-Layer Perceptron (MLP), or dynamical (model with memory), in which case it is represented as a dynamical system as in the case of RNNs. The specific architecture defining f_θ is a design choice that heavily depends on the problem at hand.

In this work, we consider a family of dynamical foundation models known as *Structured State-space Models* (SSMs) [9]. While SSMs can take various forms, they are fundamentally characterized by a dynamical system consisting of multiple layers, each composed of LTI systems followed by a static nonlinear function. Specifically, here we introduce the L2RU architecture shown in Fig. 1 which resembles the Linear Recurrent Unit [14] but differs in the way it is parametrized. An L2RU is defined by the following components:

- *State-space layer (SSL)*: a block consisting of a DT LTI system followed by a static nonlinearity (also known as a Wiener model [15]). Unlike most other SSM architectures, we focus on *square* LTI systems, for which state, input and output share the same dimension n . Such systems are represented by

$$g_{(A,B,C,D)} : \begin{cases} h_{k+1} &= Ah_k + Bd_k, \quad h_0 = 0 \\ z_k &= Ch_k + Dd_k, \end{cases} \quad (1)$$

where $h \in \mathbb{R}^n$ is the state, $d, z \in \mathbb{R}^n$ are the input/output respectively and $A, B, C, D \in \mathbb{R}^{n \times n}$ are

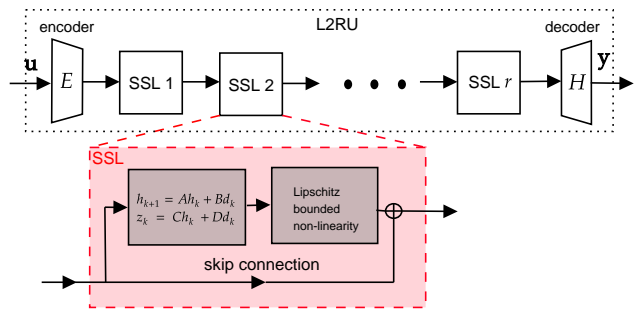


Fig. 1: L2RU architecture presented in this paper. The model consists of a series of state-space layers, each comprised of \mathcal{L}_2 -bounded DT LTI systems and Lipschitz-bounded nonlinearities. The input/output is pre- and post-processed by linear transformations.

the matrices describing the dynamics. Notice that g as defined in (1) can be seen as a map $g : \mathcal{L}^n \mapsto \mathcal{L}^n$. We focus on square systems primarily for technical reasons, as this enables an explicit, non-conservative parametrization of \mathcal{L}_2 -bounded systems. This is not a major limitation since n is a tunable hyperparameter, and in many SSM architectures, the LTI system's input and output naturally share the same dimension. Moreover, the input/output (u and y in Fig. 1) dimensions of the overall L2RU model are arbitrary and decoupled from n via a linear encoder and decoder, as discussed later. A common requirement is that the matrix A must be Schur, ensuring system stability.

The output of g is fed to a static nonlinearity that belongs to a family of Lipschitz-bounded nonlinear functions

$$\mu_\xi : \mathbb{R}^n \mapsto \mathbb{R}^n, \quad (2)$$

depending on the parameter $\xi \in \mathbb{R}^m$, with 2-Lipschitz-bound ζ ¹ and such that $\mu(0) = 0$ (we omit the subscript when it is not necessary). Under this assumptions, it holds $\|\mu(\mathbf{u})\|_2 \leq \zeta \|\mathbf{u}\|_2$ where $\mu(\mathbf{u})$ is the sequence obtained by applying μ to any input \mathbf{u} element-wise (ζ will depend on the particular value of ξ in general). A feed-through connection additively combines the input of the layer with its output. Such skip connections are widely used in deep learning to mitigate vanishing gradients and improve the information flow [21]. Finally, this type of block can be repeated and stacked in layers to form deep architectures and enhance the model expressivity.

- *Encoder/decoder*: the input/output of the stacked SSLs are pre- and post-processed by linear encoder/decoder defined by the generic matrices $E \in \mathbb{R}^{n \times n_u}$, $H \in \mathbb{R}^{n_y \times n}$, where $n_u, n_y \in \mathbb{N}$ are the dimensions of input and output respectively. These are just linear transformations of the form $\mathbf{y} = E\mathbf{u}$ where E multiplies the sequence \mathbf{u} element-wise.

For a fixed number of layers $r \in \mathbb{N}$, the L2RU defines a map that is an input/output dynamical system $f_\theta : \mathcal{L}^{n_u} \mapsto \mathcal{L}^{n_y}$

¹A function $\mu : \mathbb{R}^n \mapsto \mathbb{R}^n$ has 2-Lipschitz-bound $\zeta > 0$ on \mathbb{R}^n if $\|\mu(a) - \mu(b)\|_2 \leq \zeta \|a - b\|_2$ for all $a, b \in \mathbb{R}^n$. For brevity, we refer to it as the Lipschitz-bound of μ .

uniquely determined by the following parameters:

$$\begin{aligned} \theta \in \mathcal{P} &= \{ \underbrace{\{A_i, B_i, C_i, D_i\}}_{g_i}, \underbrace{\{\xi_i\}}_{\mu_i}, E, H \}_{1 \leq i \leq r}, \\ &= \mathbb{R}^{r(4n^2+m)+n(n_u+n_y)}, \end{aligned} \quad (3)$$

where g_i and μ_i are the maps associated with the system and the nonlinear function of the generic i -th layer respectively. The way f_θ acts on an input sequence \mathbf{u} can be written as a series composition of the encoder, r SSLs and decoder:

$$\begin{aligned} (\text{encoder}) \quad & \mathbf{y}_0 = E\mathbf{u} \\ (\text{SSL}) \quad & \mathbf{y}_i = \mu_i(g_i(\mathbf{y}_{i-1})) + \mathbf{y}_{i-1}, \quad 1 \leq i \leq r \\ (\text{decoder}) \quad & \mathbf{y} = H\mathbf{y}_r. \end{aligned} \quad (4)$$

We conclude this section by defining the concepts of \mathcal{L}_2 -gain (see [22] for reference) and parametrization, which are key to the formulation of the problem we aim to address.

Definition 1: (\mathcal{L}_2 -gain) Let $f : \mathcal{L}_2^{n_u} \mapsto \mathcal{L}_2^{n_y}$ be a map between square-integrable sequences. f is said to have finite \mathcal{L}_2 -gain if there exists $\gamma > 0$ such that, for any sequence $\mathbf{u} \in \mathcal{L}_2^{n_u}$ it holds:

$$\|f(\mathbf{u})\|_2 \leq \gamma \|\mathbf{u}\|_2. \quad (5)$$

Any positive γ such (5) holds is called an \mathcal{L}_2 -bound of f . The \mathcal{L}_2 -gain of f is defined as the infimum among all γ such that (5) is satisfied.

For dynamical maps that are defined through LTI systems an equivalent characterization of Definition 1, is provided by the Real Bounded Lemma [22]:

Proposition 1: (DT Real Bounded Lemma [22]) Let $g_{(A,B,C,D)} : \mathcal{L}^{n_u} \mapsto \mathcal{L}^{n_y}$ be a DT LTI system described in state space. g has finite \mathcal{L}_2 -gain if and only if $\exists P \succ 0, \gamma > 0$ such that:

$$\begin{bmatrix} A^\top P A - P + C^\top C & A^\top P B + C^\top D \\ B^\top P A + D^\top C & B^\top P B + D^\top D - \gamma^2 I \end{bmatrix} \prec 0. \quad (6)$$

Moreover, the \mathcal{L}_2 -gain of g is equal to the infimum among all γ such that (6) is satisfied for some $P \succ 0$, or, equivalently, it is the smallest value of γ such that the matrix on the left-hand side of (6) has at least one eigenvalue equal to zero.

Let us now formally define the concept of free and complete parametrization.

Definition 2: (Parametrization) Let $\mathcal{B} \subseteq \mathbb{R}^m$ be a nonempty set. A *parametrization* of \mathcal{B} is a differentiable map $\psi : \mathcal{A} \subseteq \mathbb{R}^n \mapsto \mathcal{B}$. We say that ψ is *free* if there exists a set $\mathcal{N} \subseteq \mathbb{R}^n$ with zero Lebesgue measure such that $\mathcal{A} = \mathbb{R}^n \setminus \mathcal{N}$, i.e, ψ is defined and differentiable almost everywhere on \mathbb{R}^n . We say that ψ is *complete* if there exists a set $\mathcal{M} \subset \mathcal{B}$ of zero Lebesgue measure such that $\psi(\mathcal{A}) = \mathcal{B} \setminus \mathcal{M}$.

We can think of \mathcal{B} as the set of parameters ensuring that the constrained model $f_{\theta \in \mathcal{B}}$ satisfies a given property. A free and complete parametrization ψ of \mathcal{B} guarantees this property is fulfilled by $f_{\psi(\omega)}$ for almost all $\omega \in \mathbb{R}^n$. In a learning

²When f is described by a dynamical system, the inequality includes a term depending on the initial condition of its state [22]. However, we can always assume the initial state is zero, ensuring that this term vanishes.

task with input-output pairs $(\tilde{\mathbf{u}}, \tilde{\mathbf{y}})$ and loss function l , ψ transforms the constrained, potentially non-convex optimization problem $\min_{\theta \in \mathcal{B}} l(\tilde{\mathbf{y}}, f_\theta(\tilde{\mathbf{u}}))$ into the unconstrained one $\min_{\omega} l(\tilde{\mathbf{y}}, f_{\psi(\omega)}(\tilde{\mathbf{u}}))$. A complete parametrization ensures no conservatism, covering almost all parameter values that satisfy the desired property.

Remark 1: In Definition 2 we allow "neglecting" null sets based on practical considerations in learning. The parameter θ is typically initialized randomly and iteratively adjusted via optimization (through backpropagation and stochastic gradient descent). Since ψ is defined almost everywhere, θ can be updated freely without ever hitting points where ψ is undefined, particularly if we introduce arbitrarily small random noise to the update process, ensuring that the iterates avoid sets of measure zero with probability 1. Likewise, we allow ψ to "miss" at most a null set in its codomain while still calling it complete, as there always exist infinitely many $\theta \in \mathcal{A}$ such that $\psi(\theta)$ approximates any missing point arbitrarily well. This ensures ψ can represent all elements in \mathcal{B} up to an arbitrarily small error.

A. Problem formulation

Our goal is to develop a free parametrization of the SSM architecture described in the previous section, ensuring a prescribed \mathcal{L}_2 -bound. More formally, given a finite $\hat{\gamma} > 0$, we seek a free parametrization of:

$$\Theta_{\hat{\gamma}} = \{\theta \in \mathcal{P} \mid f_\theta \text{ has } \mathcal{L}_2\text{-bound } \hat{\gamma}\}, \quad (7)$$

where \mathcal{P} is defined in (3). To construct this parametrization, we address two key subproblems:

- Find a free parametrization of linear systems g with a prescribed \mathcal{L}_2 -bound, specifically for square systems.
- Extend this to a free parametrization of $\Theta_{\hat{\gamma}}$ by tuning the \mathcal{L}_2 -gains of the linear systems and the Lipschitz-bounds of the remaining components (nonlinear functions and linear encoder/decoder).

III. MAIN RESULTS

In this section, we derive a free parametrization of the L2RU architecture.

A. Free and complete parametrization of squared DT LTI systems with prescribed gain γ

Given $\gamma > 0$, we want to parametrize the following set

$$\mathcal{G}_\gamma^n = \left\{ (A, B, C, D) \in \mathbb{R}^{4n^2} \mid \exists P \succ 0 \text{ s.t. (6)} \right\}. \quad (8)$$

It is not difficult to see that \mathcal{G}_γ^n is well-defined and nonempty for every $n \geq 1$ and $\gamma > 0$. To achieve our goal, we will actually work with the following higher-dimensional set collecting all and only 5-tuples $(A, B, C, D, P) \in \mathbb{R}^{5n^2}$ satisfying the Real Bounded Lemma (6) for a given γ :

$$\mathcal{R}_\gamma^n = \left\{ (A, B, C, D, P) \in \mathbb{R}^{5n^2} \mid (6), P \succ 0 \right\}. \quad (9)$$

The sets \mathcal{R}_γ^n and \mathcal{G}_γ^n are closely related and a free and complete parametrization of \mathcal{R}_γ^n directly yields one for \mathcal{G}_γ^n .

To see this, let $\psi : \mathcal{P} \mapsto \mathcal{R}_\gamma^n$ be a free and complete parametrization of \mathcal{R}_γ^n and define the projection map

$$\pi : \mathbb{R}^{5n^2} \mapsto \mathbb{R}^{4n^2}, \quad \pi(A, B, C, D, P) = (A, B, C, D). \quad (10)$$

By definition, $\mathcal{G}_\gamma^n = \pi(\mathcal{R}_\gamma^n)$, so the map $\pi \circ \psi : \mathcal{P} \mapsto \mathcal{G}_\gamma^n$ is a free and complete parametrization of \mathcal{G}_γ^n . The reason is that π is surjective, and hence $\pi \circ \psi$ inherits the completeness property from ψ . Moreover, parametrizing \mathcal{G}_γ^n via \mathcal{R}_γ^n yields the additional advantage of providing a stability certificate P for each system defined by (A, B, C, D) .

We are ready to present our first result.

Block 1: Parametrization of squared DT LTI systems with prescribed \mathcal{L}_2 -gain γ

Given $\gamma > 0$ and the set of free parameters

$$\mathcal{F} = \{(\alpha, \varepsilon) \in \mathbb{R}^2, (X_{11}, X_{21}, X_{22}, \tilde{C}, \tilde{D}, S) \in \mathbb{R}^{6n^2}\} = \mathbb{R}^{6n^2+2}$$

Define $\psi_\gamma : \omega \in \mathcal{F} \mapsto (A, B, C, D, P) \in \mathbb{R}^{5n^2}$ as follows

$$A = L_{-(R-H_{11})}^{-\top} Q L_{-R}^{\top} \quad (11)$$

$$B = A H_{12}^{-\top} V^{\top} \quad (12)$$

$$C = \tilde{C} \quad (13)$$

$$D = \tilde{D} \sqrt{\beta} \quad (14)$$

$$P = -A^{-\top} H_{12} B^{-1} \quad (15)$$

where $Q, Z, \beta, H_{11}, H_{12}, V, R$ are defined as a function of the free parameters as follows:

$$Q = (I - S + S^{\top}) (I + S - S^{\top})^{-1} \quad (16)$$

$$Z = X_{21} X_{21}^{\top} + X_{22} X_{22}^{\top} + \tilde{D} \tilde{D}^{\top} + e^{\varepsilon} I \quad (17)$$

$$\beta = \frac{\gamma^2 \sigma(\alpha)}{\|Z\|_2} \quad (18)$$

$$H_{11} = X_{11} X_{11}^{\top} + \tilde{C}^{\top} \tilde{C} + \beta e^{\varepsilon} I \quad (19)$$

$$H_{12} = \sqrt{\beta} (X_{11} X_{21}^{\top} + \tilde{C}^{\top} \tilde{D}) \quad (20)$$

$$V = Z \beta - I \gamma^2, \quad R = H_{12} V^{-\top} H_{12}^{\top} \quad (21)$$

Theorem 1: The map ψ_γ defined in Block 1 is a free and complete parametrization of \mathcal{R}_γ^n and yields one for \mathcal{G}_γ^n .

The proof of Theorem 1 is provided in the Appendix A. The completeness of the parameterization ψ_γ maximizes expressivity by covering almost all systems with \mathcal{L}_2 -bound γ , including those whose \mathcal{L}_2 -gain is arbitrarily close to the specified γ . In particular, as highlighted in the proof of Theorem 1, such systems can be obtained via ψ_γ whenever the matrix $M := X X^{\top} + \beta e^{\varepsilon} I$, where $X = \text{Blk}(X_{11}, X_{12} = 0, X_{21}, X_{22})$ and X_{ij} are defined in Block 1, is sufficiently close to being positive semi-definite. The effectiveness of the parametrization ψ_γ enables the use of \mathcal{L}_2 -bounded linear systems as fundamental building blocks for SSM architectures with a prescribed \mathcal{L}_2 -bound, as we demonstrate in the next section.

Remark 2: The parametrization ψ_γ requires computing the spectral norm of an $n \times n$ symmetric matrix, see (18), which has a complexity of $O(n^3)$ and may be impractical for large n . In such cases, one can replace it using upper bounds, leveraging the Frobenius norm or the Gershgorin Circle Theorem. However, as shown in the proof of Theorem 1, this compromises the completeness of ψ .

Remark 3: The \mathcal{L}_2 -bound can also be freely parametrized by setting $\gamma = |\tilde{\gamma}|^3$ with $\tilde{\gamma} \in \mathbb{R}$, leading to the parametrization $\psi(\omega, \tilde{\gamma})$. This turns ψ into a free and complete parametrization of square \mathcal{L}_2 -bounded DT LTI systems. Given the one-to-one correspondence between \mathcal{L}_2 -bounded systems and those with a Schur matrix A , this parametrization is equivalent to the complex-diagonal one from [14] for square systems. However, the latter may be preferable when an explicit bound γ is unnecessary, as it generally scales better in terms of computation time with the system dimension n .

Initialization Strategies: It is well-known in the SSMs-related literature that proper initialization of the linear system's parameters is crucial for effective learning with SSMs, particularly when dealing with long input sequences. Various initialization strategies have been proposed depending on the SSM architecture employed [14], [23], [24]. Ideally, the matrix A should have eigenvalues within the stability region and close to its boundary, ensuring $|\lambda| < 1, |\lambda| \approx 1 \forall \lambda \in \lambda(A)$. The intuition behind this approach is that the state evolution depends on past inputs via the powers of the matrix A , which can decay rapidly if the eigenvalues of A are far from the stability region's boundary. By ensuring $|\lambda_i| \approx 1$ at initialization, the system retains long-range memory and prevents the signal from past inputs from quickly dying out. For the L2RU model, we propose a novel initialization strategy to control the eigenvalues of A at the very first step of the iterative learning procedure.

Proposition 2: Consider:

$$\omega_0 = (\alpha, \varepsilon \in \mathbb{R}, X_{11}, X_{21}, X_{22}, \tilde{C}, \tilde{D} = I, S \in \mathbb{R}^{n \times n}), \quad (22)$$

and let A_0 be the matrix A obtained via the map $\psi(\omega_0)$ for $\varepsilon \rightarrow -\infty$. Then $A_0 = \sqrt{\frac{2\sigma(\alpha)}{3-\sigma(\alpha)}} Q$ and $|\lambda| = \sqrt{\frac{2\sigma(\alpha)}{3-\sigma(\alpha)}} \forall \lambda \in \lambda(A_0)$ where Q is the orthogonal matrix given by (16).

Thanks to Proposition 2, proved in Appendix B, we can directly control the modulus of the eigenvalues of A at initialization. By setting a sufficiently large negative value for ε and adjusting the parameter α such that $\sigma(\alpha) \approx 1$, we can push the eigenvalues arbitrarily close to the boundary of the unit circle. Notably, the phase of the eigenvalues is controlled by the orthogonal matrix Q , and this can be adjusted by appropriately choosing the free matrix S . As we will show in the example, this initialization enhances accuracy in learning tasks by promoting long-range memory.

³Instead of the absolute value, one can use any function that maps free parameters to positive values.

B. Free parametrization of \mathcal{L}_2 -bounded SSMS with prescribed gain $\hat{\gamma}$

The set of SSMS with prescribed \mathcal{L}_2 -bound $\hat{\gamma}$ is characterized by the set $\Theta_{\hat{\gamma}}$ defined in (7), for which we propose the following free parametrization, defining the L2RU architecture.

Block 2: L2RUs parametrization

Given μ_{ξ} as defined in (2), let $\phi(\nu, \tilde{\zeta}) : \mathbb{R}^{p+1} \mapsto \mathbb{R}^m$ be any free parametrization such that $\mu_{\phi(\nu, \tilde{\zeta})}$ has Lipschitz-bound $\zeta = |\tilde{\zeta}|$. Let $\psi(\theta, \tilde{\gamma})$ be the parametrization defined in Block 1 and π the projection map defined in (10). Given $\hat{\gamma} > 0$ and the set of free parameters

$$\left\{ \{\theta_i, \tilde{\gamma}_i, \nu_i, \tilde{\zeta}_i\}_{1 \leq i \leq r}, \tilde{E}, \tilde{H} \right\} = \mathbb{R}^q,$$

with $q = r(6n^2 + p + 2) + n(n_u + n_d)$, define the map $\rho_{\hat{\gamma}} : \mathbb{R}^q \mapsto \mathcal{P}$, where \mathcal{P} is given in (3), as follows:

$$(A_i, B_i, C_i, D_i) = \pi(\psi(\theta_i, \tilde{\gamma}_i)), \quad 1 \leq i \leq r \quad (23)$$

$$\xi_i = \phi(\nu_i, \tilde{\zeta}_i), \quad 1 \leq i \leq r \quad (24)$$

$$E = \tilde{E} \quad (25)$$

$$H = \frac{\tilde{H} \hat{\gamma}}{\|\tilde{H}\|_2 \|\tilde{E}\|_2} \prod_{i=1}^r \left(|\tilde{\gamma}_i \tilde{\zeta}_i| + 1 \right)^{-1} \quad (26)$$

Theorem 2: The map $\rho_{\hat{\gamma}}$ defined in Block 2 is a free parametrization of $\Theta_{\hat{\gamma}}$.

Theorem 2, proved in Appendix C, provides a straightforward method to freely parameterize all the individual components of the model such that $f_{\rho_{\hat{\gamma}}}$ maintains a fixed \mathcal{L}_2 -bound $\hat{\gamma}$. The key to fully leveraging this result lies in the ability to provide free parametrizations ψ and ϕ that can assign the appropriate \mathcal{L}_2 and Lipschitz-bounds to the systems g_i and functions μ_i respectively. Let us see more in detail how we can parametrize each component of f :

- **Systems $\{g_i\}_{1 \leq i \leq r}$:** We leverage Theorem 1 and the definition of ψ to freely parameterize all $g \in \mathcal{G}_{\hat{\gamma}}^n$ with tunable \mathcal{L}_2 -gain. In particular, according to (23), the \mathcal{L}_2 -bound $\tilde{\gamma}_i$ of each g_i can itself be a free parameter (see Remark 3) that can be incorporated in those of $\rho_{\hat{\gamma}}$.
- **Nonlinear functions $\{\mu_i\}_{1 \leq i \leq r}$:** The LRU architecture employs general MLPs [14], which, while expressive, lack a straightforward way to enforce a tight Lipschitz-bound. Instead, we leverage state-of-the-art MLPs with a free parametrization ϕ , such as the one presented in [7], which guarantees a prescribed and tight Lipschitz-bound ζ . This choice preserves expressivity while allowing ζ to be treated as a free parameter of $\rho_{\hat{\gamma}}$.
- **Encoder/decoder E, H :** The encoder matrix E can be chosen freely while the decoder matrix H is the one that gets properly rescaled to guarantee that the overall \mathcal{L}_2 -bound of f is $\hat{\gamma}$.

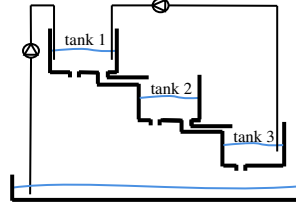


Fig. 2: Triple-tank system with recirculation pump.

A_1	38 cm^2	A_2	32 cm^2
A_3	21 cm^2	a_1	0.05 cm^2
a_2	0.03 cm^2	a_3	0.06 cm^2
k_1	0.32	k_2	0.23
k_3	0.52	k_c	50

Tab. 1: List of parameters employed in the simulation.

IV. NUMERICAL EXAMPLE

In this section, we demonstrate the effectiveness of the L2RU model in a system identification task, following the framework of [18], which allows learning interconnected systems by leveraging a free parametrization of a distributed \mathcal{L}_2 -bounded model mimicking the system's topology. Controlling the \mathcal{L}_2 -bound of each sub-model is key to ensuring overall stability, much like the small-gain theorem for feedback loops. This makes our L2RU model a natural fit for the task. We use the same system and dataset as in [18], allowing for direct comparison. The system consists of three interconnected tanks and a recirculation pump that continuously moves water from the third to the first tank, while an external controlled pump feeds the first tank, as shown in Fig. 2. The system dynamics are given by:

$$\begin{cases} \dot{h}_1 &= -\frac{\alpha_1}{A_1} \sqrt{2gh_1} + k_1 \frac{\alpha_3}{A_1} \sqrt{2gh_3} + k_c \frac{v}{A_1} \\ \dot{h}_2 &= -\frac{\alpha_2}{A_2} \sqrt{2gh_2} + k_2 \frac{\alpha_1}{A_2} \sqrt{2gh_1} \\ \dot{h}_3 &= -\frac{\alpha_3}{A_3} \sqrt{2gh_3} + k_3 \frac{\alpha_2}{A_3} \sqrt{2gh_2}, \end{cases} \quad (27)$$

where A_i and a_i are the cross-sections of the tanks and outlet holes, respectively, k_i denotes the flow distribution coefficients, h_i the water levels, and v the inlet flow. The parameters used in the simulation are listed in Table 1.

System (27) was discretized with a sampling time $T_s = 0.1$. A dataset of (\tilde{v}, \tilde{h}) pairs where each sequence contains 2000 data-points was generated by exciting the system with a random input $v \in [10, 100]$. Output measurements were corrupted by gaussian white noise, i.e., $\tilde{h} = h + w$ with $w \sim \mathcal{N}(0, 0.1)$. The dataset was split into an identification set (comprising of 70% of the samples) for training and a validation set for model evaluation. To identify the system (27), we model the interconnection by using three L2RUs with 2 layers each to mirror the coupling of the three-tank system in Fig. 2 and tune their \mathcal{L}_2 -bound as described in [18] to guarantee the stability of the interconnected model. To assess the effectiveness of our approach, we conduct numerical experiments comparing the quality of the identified model obtained using L2RUs with other \mathcal{L}_2 -bounded models, such as RENs [8]. Fig. 3 (a) shows the predicted states of the identified model in blue and the trajectories of the validation dataset in orange, highlighting excellent prediction accuracy. Fig. 3 (b) compares the validation loss for random parameter initialization versus the proposed strategy in Proposition 2 with $\sigma(\alpha) = 0.9837$. The loss values are averaged over 10 runs with different random initializations of the remaining parameters. The plot clearly shows that the proposed strategy

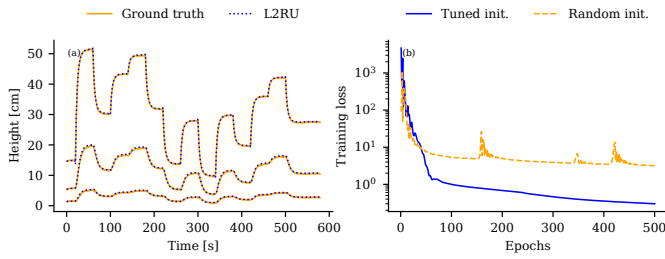


Fig. 3: (a) Comparison of the open-loop prediction of the trained distributed L2RU versus ground truth on an independent validation dataset. For the sake of legibility, we only show the first 600 time steps. (b) Comparison between training losses obtained with the initialization of Proposition 2 and with a random initialization.

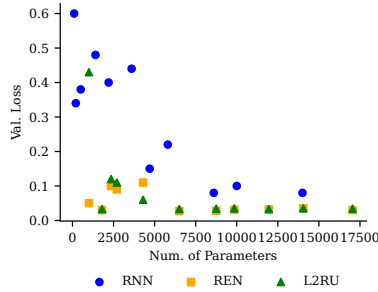


Fig. 4: Validation loss versus number of parameters for three models.

significantly outperforms random initialization, leading to better representation of long sequences. Fig. 4 shows the validation loss as a function of the number of tunable parameters across different models. All architectures were implemented in PyTorch with a learning rate of $\eta = 10^{-3}$ and trained for 1500 epochs. The L2RU architecture outperforms a standard RNN (with ReLU activations) and achieves performance comparable to RENs while training significantly faster. On an M1 Max chip with 32GB of RAM, the distributed REN model required approximately 30 minutes to train over 1500 epochs, whereas the L2RU model completed the task in 12 minutes, with both models having 7000 tunable parameters. The Python implementation of the L2RU architecture can be found at: <https://github.com/DecodEPFL/SSM>.

V. CONCLUSION

We introduced L2RU, a novel free parametrization of SSMs that guarantees input-output stability and robustness through a prescribed \mathcal{L}_2 -bound. Our non-conservative free parametrization of square DT LTI systems enables unconstrained optimization of L2RU while preserving stability guarantees. Additionally, our initialization strategy improves performance on long sequences, as shown in a system identification task. Future work will extend L2RU to non-square systems and broader learning and control applications.

REFERENCES

- [1] F. Bonassi, M. Farina, J. Xie, and R. Scattolini, "On Recurrent Neural Networks for learning-based control: Recent results and ideas for future developments," *Journal of Process Control*, vol. 114, pp. 92–104, June 2022.
- [2] N. Lanzetti, Y. Z. Lian, A. Cortinovis, L. Dominguez, M. Mercangöz, and C. Jones, "Recurrent Neural Network based MPC for Process Industries," in *2019 18th European Control Conference (ECC)*, June 2019, pp. 1005–1010.
- [3] C. Andersson, A. H. Ribeiro, K. Tiels, N. Wahlström, and T. B. Schön, "Deep Convolutional Networks in System Identification," in *2019 IEEE 58th Conference on Decision and Control (CDC)*, Dec. 2019, pp. 3670–3676, iSSN: 2576-2370.
- [4] A. Vaswani, N. Shazeer, N. Parmar, J. Uszkoreit, L. Jones, A. N. Gomez, L. Kaiser, and I. Polosukhin, "Attention Is All You Need," Aug. 2023, arXiv:1706.03762.
- [5] Y. Sun and H.-L. Wei, "Efficient Mask Attention-Based NARMAX (MAB-NARMAX) Model Identification," in *2022 27th International Conference on Automation and Computing (ICAC)*. Bristol, United Kingdom: IEEE, Sept. 2022, pp. 1–6.
- [6] P. Pauli, A. Koch, J. Berberich, P. Kohler, and F. Allgöwer, "Training Robust Neural Networks Using Lipschitz Bounds," *IEEE Control Systems Letters*, vol. 6, pp. 121–126, 2022.
- [7] R. Wang and I. R. Manchester, "Direct Parameterization of Lipschitz-Bounded Deep Networks," June 2023, arXiv:2301.11526.
- [8] M. Revay, R. Wang, and I. R. Manchester, "Recurrent Equilibrium Networks: Flexible Dynamic Models With Guaranteed Stability and Robustness," *IEEE Transactions on Automatic Control*, vol. 69, no. 5, pp. 2855–2870, May 2024.
- [9] A. Gu, K. Goel, and C. Ré, "Efficiently Modeling Long Sequences with Structured State Spaces," Aug. 2022, arXiv:2111.00396.
- [10] G. E. Blelloch, "Prefix sums and their applications." Carnegie Mellon University, 2004, p. 1294199 Bytes.
- [11] A. Gu and T. Dao, "Mamba: Linear-Time Sequence Modeling with Selective State Spaces," May 2024, arXiv:2312.00752.
- [12] J. T. H. Smith, A. Warrington, and S. W. Linderman, "Simplified State Space Layers for Sequence Modeling," Mar. 2023, arXiv:2208.04933.
- [13] C. A. Alonso, J. Sieber, and M. N. Zeilinger, "State Space Models as Foundation Models: A Control Theoretic Overview," Mar. 2024, arXiv:2403.16899.
- [14] A. Orvieto, S. L. Smith, A. Gu, A. Fernando, C. Gulcehre, R. Pascanu, and S. De, "Resurrecting Recurrent Neural Networks for Long Sequences," Mar. 2023, arXiv:2303.06349.
- [15] F. Bonassi, C. Andersson, P. Mattsson, and T. B. Schön, "Structured state-space models are deep Wiener models," *IFAC-PapersOnLine*, vol. 58, no. 15, pp. 247–252, Jan. 2024.
- [16] L. Furieri, C. L. Galimberti, and G. Ferrari-Trecate, "Learning to Boost the Performance of Stable Nonlinear Systems," *IEEE Open Journal of Control Systems*, vol. 3, pp. 342–357, 2024.
- [17] L. Furieri, C. L. Galimberti, M. Zakwan, and G. Ferrari-Trecate, "Distributed Neural Network Control with Dependability Guarantees: a Compositional Port-Hamiltonian Approach," in *Proceedings of The 4th Annual Learning for Dynamics and Control Conference*. PMLR, May 2022, pp. 571–583.
- [18] L. Massai, D. Saccani, L. Furieri, and G. Ferrari-Trecate, "Unconstrained Learning of Networked Nonlinear Systems via Free Parametrization of Stable Interconnected Operators," in *2024 European Control Conference (ECC)*, June 2024, pp. 651–656.
- [19] D. Saccani, L. Massai, L. Furieri, and G. Ferrari-Trecate, "Optimal distributed control with stability guarantees by training a network of neural closed-loop maps," July 2024, arXiv:2404.02820.
- [20] M. Zakwan, L. Xu, and G. Ferrari-Trecate, "Robust Classification Using Contractive Hamiltonian Neural ODEs," *IEEE Control Systems Letters*, vol. 7, pp. 145–150, 2023.
- [21] A. E. Orhan and X. Pitkow, "Skip Connections Eliminate Singularities," Mar. 2018, arXiv:1701.09175.
- [22] R. J. Caverly and J. R. Forbes, "LMI Properties and Applications in Systems, Stability, and Control Theory," May 2024, arXiv:1903.08599.
- [23] A. Gu, T. Dao, S. Ermon, A. Rudra, and C. Re, "HiPPO: Recurrent Memory with Optimal Polynomial Projections," Oct. 2020, arXiv:2008.07669.
- [24] A. Gu, A. Gupta, K. Goel, and C. Ré, "On the Parameterization and Initialization of Diagonal State Space Models," Aug. 2022, arXiv:2206.11893.
- [25] S. Lang, *Undergraduate Algebra*. Berlin, Heidelberg: Springer Berlin Heidelberg, 1990.

A. Proof of Theorem 1

Let us start by proving that ψ is a free parametrization. Notice that $\theta \in \mathbb{R}^{6n^2+2}$ and the map ψ is defined and continuous on \mathbb{R}^{6n^2+2} apart from those values for which $H_{12} = \sqrt{\beta} (X_{11}X_{21}^\top + \tilde{C}^\top \tilde{D})$ is singular. We see that H_{12} is a generic $n \times n$ matrix and it is a well-known result that the set of $n \times n$ singular matrices has measure zero as a subset of \mathbb{R}^{n^2} , which in turn implies that ψ is defined almost everywhere on \mathbb{R}^{6n^2+2} and thus is a free parametrization.

We will now prove that ψ_γ is also complete with respect to \mathcal{R}_γ^n . We do it by explicitly constructing the parametrization ψ_γ in such a way that $\psi_\gamma : \mathbb{R}^{6n^2+2} \mapsto \mathcal{R}_\gamma^n$ and for almost all $(A, B, C, D, P) \in \mathcal{R}_\gamma^n \ni \theta \in \mathbb{R}^{6n^2+2}$ s.t. $\psi_\gamma(\theta) = (A, B, C, D, P)$. By the Real Bounded Lemma, $(A, B, C, D, P) \in \mathcal{R}_\gamma^n$ if and only if $P \succ 0$ and

$$\begin{bmatrix} A^\top P A - P + C^\top C & A^\top P B + C^\top D \\ B^\top P A + D^\top C & B^\top P B + D^\top D - \gamma^2 I \end{bmatrix} \prec 0,$$

or, equivalently

$$\begin{bmatrix} -A^\top P A + P & -A^\top P B \\ -B^\top P A & -B^\top P B + \gamma^2 I \end{bmatrix} \succ \begin{bmatrix} C^\top C & C^\top D \\ D^\top C & D^\top D \end{bmatrix}. \quad (28)$$

This is true if and only if $\exists M \succ 0$ such that

$$\begin{aligned} & \begin{bmatrix} -A^\top P A + P & -A^\top P B \\ -B^\top P A & -B^\top P B + \gamma^2 I \end{bmatrix} = \\ & = M + \underbrace{\begin{bmatrix} C^\top C & C^\top D \\ D^\top C & D^\top D \end{bmatrix}}_H = \begin{bmatrix} H_{11} & H_{12} \\ H_{21} & H_{22} \end{bmatrix}, \quad (29) \end{aligned}$$

where $H_{11}, H_{12}, H_{21}, H_{22} \in \mathbb{R}^{n \times n}$ are the corresponding blocks of the matrix H . Notice that H is a generic symmetric positive-definite matrix for any value of M, C, D .

We parametrize H using the free parameters $X_{11}, X_{21}, X_{22}, \tilde{D}, \tilde{C} \in \mathbb{R}^{n \times n}$ and $\varepsilon \in \mathbb{R}$. To do that, consider β as defined in (18) and build the generic matrix $M = X X^\top + \beta e^\varepsilon I \succ 0^4$, where, without loss of generality, we can choose $X \in \mathbb{R}^{2n \times 2n}$ as follows:

$$X = \begin{bmatrix} X_{11} & 0 \\ X_{21}\sqrt{\beta} & X_{22}\sqrt{\beta} \end{bmatrix}. \quad (30)$$

Finally, set $C = \tilde{C}$ and $D = \tilde{D}\sqrt{\beta}$. With this choice, the map from the free parameters to the matrix H defined by (29) is surjective, i.e., it maps onto the entire cone of positive definite matrices. From (29) we have that $A, B \in \mathbb{R}^{n \times n}$ and $P \succ 0$ satisfy

$$\begin{cases} -A^\top P A + P & = H_{11} \\ -A^\top P B & = H_{12} \\ -B^\top P B & = V, \end{cases} \quad (31)$$

⁴The regularization factor $e^\varepsilon I$ makes M positive definite but arbitrarily close to any generic positive semi-definite matrix $M = X X^\top$ for $\varepsilon \ll 0$.

where $V := H_{22} - \gamma^2 I$. Now let us assume that $H_{12} = \sqrt{\beta} (X_{11}X_{21}^\top + \tilde{C}^\top \tilde{D})$ is non-singular; since P must be non-singular, from the second equation we have that A and B must be non-singular too. From the third equation, given that B is non-singular, we see that $P \succ 0 \iff V \prec 0 \iff H_{22} \prec \gamma^2 I \iff \|H_{22}\|_2 < \gamma^2$. All and only matrices satisfying such a condition can be obtained by rescaling any generic matrix $Z \succ 0$ such that its spectral norm is bounded by γ^2 . This is exactly the purpose of the rescaling factor used to define X in (30). Indeed, plugging the expression of H_{22} we get:

$$\|H_{22}\|_2 = \left\| \frac{Z}{\|Z\|_2} \gamma^2 \sigma(\alpha) \right\|_2 = \gamma^2 \sigma(\alpha) < \gamma^2, \quad \forall \alpha \in \mathbb{R}. \quad (32)$$

where $Z := X_{21}X_{21}^\top + X_{22}X_{22}^\top + \tilde{D}^\top \tilde{D} + e^\varepsilon I$ as defined in (17) is indeed a generic positive-definite matrix. Notice that the use of the spectral norm, which coincides with the spectral radius for symmetric positive-definite matrices, ensures that the rescaling factor β is optimal as it allows the inequality (32) to become arbitrarily tight, particularly for large values of α .

Now, from the second equation in (31) we get $P = -A^{-\top} H_{12} B^{-1}$ and plugging this into the third equation we get $B^\top A^{-\top} H_{12} B B^{-1} = B^\top A^{-\top} H_{12} = V \iff B = A H_{12}^{-\top} V^\top$. Plugging this back into the expression for P and into the first equation in (31) yields:

$$\begin{aligned} H_{12} V^{-\top} H_{12}^{-\top} A^{-1} A - A^{-\top} H_{12} V^{-\top} H_{12}^{-\top} A^{-1} & = H_{11} \\ A^{-\top} R A^{-1} & = R - H_{11}, \quad \text{where } R := H_{12} V^{-\top} H_{12}^{-\top} \prec 0. \end{aligned} \quad (33)$$

Since $R \prec 0$ and $R - H_{11} \prec 0$, we have that R and $R - H_{11}$ have the same inertia. Thus by Sylvester's law of inertia [25], the above equation admits solutions that can be found by employing the Cholesky decomposition of $-R \succ 0$ and $-(R - H_{11}) \succ 0$. In particular, let $L_{-R} L_{-R}^\top = -R$ and $L_{-(R-H_{11})} L_{-(R-H_{11})}^\top = -(R - H_{11})$. Now we claim that all solutions of (33) are given by:

$$A = (L_{-(R-H_{11})} Q L_{-R}^{-1})^{-\top}, \quad Q \in \mathcal{SO}(n). \quad (34)$$

To see this, let us put $\tilde{A} = A^{-\top}$ so that (33) becomes

$$\tilde{A} R \tilde{A}^\top = R - H_{11}. \quad (35)$$

We have that $-L_{-(R-H_{11})}^{-1} \tilde{A} R \tilde{A}^\top L_{-(R-H_{11})}^{-\top} = I$ so $L_{-(R-H_{11})}^{-1} \tilde{A} L_{-R}$ must be orthogonal. On the other hand, for any orthogonal matrix Q it is simple to see that $\tilde{A} = -L_{-(R-H_{11})} Q L_{-R}^{-1}$ solves (35), and hence this is a complete parametrization of all solutions of (35). Finally, we retrieve $A = \tilde{A}^{-\top}$ obtaining (34).

As for the orthogonal matrix Q , we can always choose it such that $\det(Q) = 1$ meaning that $Q \in \mathcal{SO}(n)$ as any other orthogonal matrix with determinant equal to -1 can be written as QW where $Q \in \mathcal{SO}(n)$ and W is a reflection matrix (i.e., $W = \text{diag}(\pm 1, \pm 1, \dots, \pm 1)$). Finally, notice that W can be factored together with the Cholesky

factorizations in (34) as WL_{-R} , which is still an equivalent Cholesky factor of the matrix $-R$. With this in mind, we can parameterize all orthogonal matrices $Q \in \mathcal{SO}(n)$ using the Cayley transform: $Q = (I - S + S^\top)(I + S - S^\top)^{-1}$ where $S \in \mathbb{R}^{n \times n}$ is a free parameter (notice that $S - S^\top$ is skew-symmetric so $(I + S - S^\top)^{-1}$ always exists)⁵. Now that we have A , we can easily recover the remaining matrices:

$$B = AH_{12}^{-\top} V^\top, \quad P = -A^{-\top} H_{12} B^{-1}. \quad (36)$$

Since we have parametrized almost all tuples (A, B, C, D, P) with $P \succ 0$ satisfying (29) as a function of the parameter θ (where the "almost all" excludes those with A, B singular, which form a set of measure zero), this implies that for almost all matrices $(A, B, C, D, P) \in \mathcal{R}_\gamma^n$ we can find a value of θ such that $\psi_\gamma(\theta) = (A, B, C, D, P)$, concluding the proof of completeness. Finally, ψ_γ immediately yields the complete parametrization of \mathcal{G}_γ^n given by $\pi \circ \psi_\gamma$ where π is the projection map defined in (10), concluding the proof. ■

B. Proof of Proposition 2

By computing $\psi(\omega_0)$, considering that $e^\varepsilon \rightarrow 0$ for $\varepsilon \rightarrow -\infty$, we get $Z = 3I, \beta = \frac{\gamma^2 \sigma(\alpha)}{3}, H_{12} = 2\sqrt{\frac{\gamma^2 \sigma(\alpha)}{3}} I, V = \gamma^2(\sigma(\alpha) - 1)I$. From this, we get $R = \frac{4}{3} \frac{\sigma(\alpha)}{\sigma(\alpha) - 1} I$. Since both matrices $-R$ and $-R + H_{11} = -R + 2I$ are diagonal with positive entries, their Cholesky factors are just diagonal matrices containing the square root of the corresponding diagonal elements, hence from (11) we obtain:

$$\begin{aligned} A_0 &= L_{-(R-H_{11})}^{-\top} Q L_{-R}^\top = \sqrt{\frac{3(1-\sigma(\alpha))}{6-2\sigma(\alpha)}} \sqrt{\frac{4\sigma(\alpha)}{3(1-\sigma(\alpha))}} Q \\ &= \sqrt{\frac{2\sigma(\alpha)}{3-\sigma(\alpha)}} Q. \end{aligned} \quad (37)$$

Since Q is orthogonal, all its eigenvalues have modulus one, therefore it follows immediately that $|\lambda| = \sqrt{\frac{2\sigma(\alpha)}{3-\sigma(\alpha)}} \forall \lambda \in \lambda(A_0)$. ■

C. Proof of Theorem 2

Notice that $\rho_{\tilde{\gamma}}$ is defined and continuous almost everywhere on \mathbb{R}^q , hence it is a free parametrization. In order to show that it parametrizes $\mathcal{H}_{\tilde{\gamma}}$, we will derive the explicit expression of $\rho_{\tilde{\gamma}}$ from scratch. First of all, as already mentioned in Section II and made clear by (4), the L2RU map f is a series composition of the encoder, SSLs, and decoder. It is well-known and simple to prove that the \mathcal{L}_2 -bound of a series cascade of input/output systems is just the product of their individual \mathcal{L}_2 -bounds. For a given square-integrable input \mathbf{u} , the \mathcal{L}_2 -bound of each SSL is easy to compute:

$$\|\mathbf{y}\|_2 = \|\mu(g(\mathbf{u})) + \mathbf{u}\|_2 \leq \|\mu(g(\mathbf{u}))\|_2 + \|\mathbf{u}\|_2 \quad (38)$$

$$\leq (\zeta\gamma + 1)\|\mathbf{u}\|_2, \quad (39)$$

⁵Another option to freely and completely parametrize orthogonal matrices is to leverage Householder reflections.

where we have used the triangle inequality and the fact that, by definition of \mathcal{L}_2 -gain and Lipschitz-boundedness, we have: $\|\mathbf{y}\|_2 = \|\mu(g(\mathbf{u}))\|_2 \leq \zeta\|\mathbf{u}\|_2 \leq \zeta\gamma\|\mathbf{u}\|_2$. Therefore, the series composition of a linear encoder, r SSLs and a linear decoder has \mathcal{L}_2 -bound equal to

$$\gamma_f = \gamma_e \gamma_h \prod_{i=1}^r (\gamma_i \zeta_i + 1) \quad (40)$$

where γ_e and γ_h are the matrix gains of E and H respectively. Given a desired \mathcal{L}_2 -bound $\tilde{\gamma} > 0$, we can simply parametrize each \mathcal{L}_2 and Lipschitz bound in order to achieve $\gamma_f = \tilde{\gamma}$. More in detail, let us parametrize each system and function g_i, μ_i with the parametrizations ψ and ϕ , i.e., $(A_i, B_i, C_i, D_i) = \pi(\psi(\theta_i, \tilde{\gamma}_i))$ and $\xi_i = \phi(\nu_i, \tilde{\zeta}_i)$ so that \mathcal{L}_2 and Lipschitz-bounds for g_i and μ_i are $|\tilde{\gamma}_i|$ and $|\tilde{\zeta}_i|$ respectively, with $1 \leq i \leq r$. Moreover, set $E = \tilde{E}$. Now we just need to find the remaining parameter γ_h such that:

$$\gamma_f = \gamma_h \|\tilde{E}\|_2 \prod_{i=1}^r (|\tilde{\gamma}_i \tilde{\zeta}_i| + 1) = \tilde{\gamma} \quad (41)$$

$$\iff \gamma_h = \frac{\tilde{\gamma}}{\|\tilde{E}\|_2} \prod_{i=1}^r (|\tilde{\gamma}_i \tilde{\zeta}_i| + 1)^{-1}. \quad (42)$$

Finally, we can construct all matrices H with gain γ_h by properly normalizing the free parameter \tilde{H} as shown in (26), concluding the proof. ■