

Coupled Video Frame Interpolation and Encoding with Hybrid Event Cameras for Low-Power High-Framerate Video

Hidekazu Takahashi¹ Takefumi Nagumo¹ Kensei Jo¹ Aumiller Andreas^{1,2}
 Saeed Rad² Rodrigo Caye Daudt² Yoshitaka Miyatani¹ Hayato Wakabayashi¹
 Christian Brandli²

¹Sony Semiconductor Solutions Corporation, Atsugi, Japan

²Sony Advanced Visual Sensing AG, Schlieren, Switzerland

Hidekazu.Takahashi@sony.com

Abstract

Every generation of mobile devices strives to capture video at higher resolution and frame rate than previous ones. This quality increase also requires additional power and computation to capture and encode high-quality media. We propose a method to reduce the overall power consumption for capturing high-quality videos in mobile devices. Using video frame interpolation (VFI), sensors can be driven at lower frame rate, which reduces sensor power consumption. With modern RGB hybrid event-based vision sensors (EVS), event data can be used to guide the interpolation, leading to results of much higher quality. If applied naively, interpolation methods can be expensive and lead to large amounts of intermediate data before video is encoded. This paper proposes a video encoder that generates a bitstream for high frame rate video without explicit interpolation. The proposed method estimates encoded video data (notably motion vectors) rather than frames. Thus, an encoded video file can be produced directly without explicitly producing intermediate frames.

1. Introduction

The latest 5G communication improves network traffic by acquiring higher throughput and low latency capabilities. These are expected to bring new customer experiences; however, new devices and applications supported by 5G cause new challenges [1]. Regarding mobile video streaming, the improved bandwidth and latency have allowed us to handle videos with higher resolution. On the other side, high-end sensors that record high-quality videos play important roles in capturing videos; their quality causes an increase of power and computation. These can lead to overheating of the chip, and limited recording time.

Video frame interpolation (VFI) addresses the problems

as described previously by generating intermediate frames between keyframes. It enables the generation of high frame rate videos while driving sensors at lower frame rate, thus reducing sensor power consumption. Warping-based approaches are currently the main direction of VFI research, where intermediate frames are reconstructed by computing motion vectors between keyframes and sampled from them correspondingly [2, 3].

Additional data between frames is often useful for performing VFI. Event-based vision sensors (EVS) [4], for instance, are bio-inspired sensors which record brightness changes (“events”) asynchronously. Events are recorded with high temporal resolution and can capture motion information between keyframes. For this reason, event-assisted VFI is an active field of research [5, 6, 7, 8, 9]. In particular, RGB hybrid EVS [10] acquire intensity images and events simultaneously and coregistered, making it an excellent match for event-based VFI and for reducing sensor power consumption.

Although VFI is a good approach to reduce power consumption and computation in mobile devices by allowing us to drive the sensor readout with lower frame rates, the interpolation method itself can be expensive and lead to large amount of intermediate data before video encoding. In particular, naively relying on VFI would still generate a large amount of video data to be encoded, which is also a computationally expensive process.

To solve this problem, this paper proposes a video encoder that generates a bitstream for high frame rate video directly without explicitly producing intermediate frames. The proposed encoder is designed to combine predictive coding and transformation, following modern video coding standards [11, 12]. Intermediate frames are coded using inter prediction and packed to a bitstream, which includes motion information and no residual signal. They are only reconstructed by motion compensation in the decoder side

during playback instead of before video encoding, significantly reducing the resources necessary for video recording. In addition, operations of encoding intermediate frames are lighter than those of standard video coding, which should minimize encoding power and computation. This paper shows a video encoder that generates a bitstream for higher frame rate video than the sensor, producing a video file directly without explicitly computing intermediate frames.

2. Related Work

2.1. Video Coding Standards

Video coding standards such as HEVC [11] and VVC [12] allow us to store video data with minimal perceptual artifacts at very high compression rates. Such standards have evolved over time following the evolution of the hardware available for encoding and decoding data and our understanding of the human visual system. They are still a strong competitor for learning-based video coding.

2.2. Learning-based video coding

There is a long history to update coding algorithms while maintaining video quality. Learning-based video coding is one of the methods that has achieved better video quality over standard video codings [13]. The neural-integrated approach [14, 15, 16] is the method in which the conventional codings and the learning-based modules cooperate. It replaces a part of modules such as prediction and loop filtering with learning-based operations. On the other side, the neural-based [17, 18] approach fully replaces the conventionally designed modules with learning-based models. [17] is known as a base research on this region, which estimates motion vectors and residual signals, and encode them using neural networks. It uses a pre-trained network inferring motion vectors, which is related to our work.

2.3. Video Frame Interpolation

Frame-based approaches [2, 3] rely on input from a conventional camera. In contrast to frame-based approaches, event-based approaches [5, 6, 7, 8, 9] rely on input from an event camera instead of a conventional camera. An event camera can drive faster than a conventional one and capture detailed features between frames, which is well-suited to VFI. Warping-based approaches fuse motion vector estimation with image warping to generate intermediate frames between keyframes, which is currently the main direction of VFI research. These approaches construct the frames by motion compensation, which is related to our work.

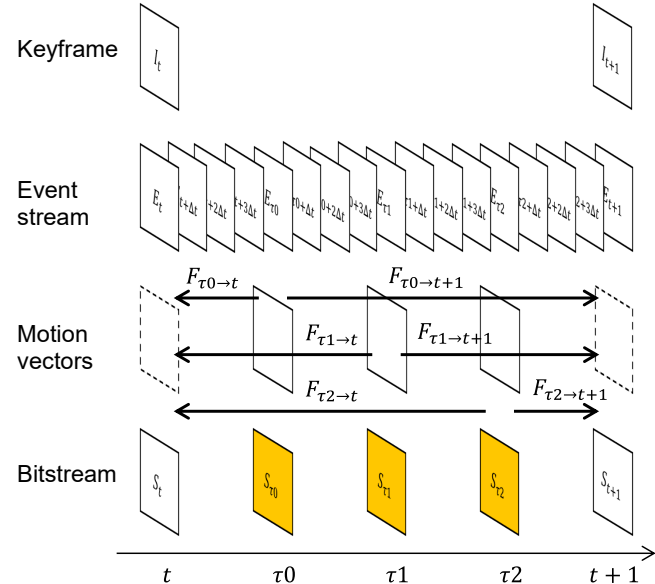


Figure 1. Example of problem formulation. Three intermediate frames are generated from two keyframes and an event stream. Each intermediate frame is encoded by only motion information.

3. Proposed Method

3.1. Preliminaries

The proposed method is expanded based on video coding standards such as HEVC [11] and VVC [12]. An encoding algorithm would typically proceed as follows. A common way the encoding algorithm produces a bit stream is as follows: The image frame is split into a block of units with a tree structure, each of which encode the operation - the tree root represents the Coding Tree Unit (CTU). It consists of multiple Coding Units at different coarsity levels (CUs), which can be further partitioned into Prediction Units (PUs) and Transform Units (TUs).

The first picture of a video sequence is coded using intra prediction only, which does so by referring to adjacent blocks in the same frame. Subsequent images of the movie stream are typically coded using inter prediction. This process reconstructs the current frame from a reference frame by using motion data. An inter prediction signal is generated by the encoder, applying motion compensation (warping) using motion vectors computed by the motion estimation block. To compensate the potential error from non-ideal motion vectors, a residual signal is computed alongside later by transforming the difference between the original block and its prediction using discrete cosine transform (DCT). The residual signal is quantized and forwarded to the encoder, while at the same time it is locally de-quantized and inverse transformed to re-produce an approximation of the residual signal. This is done to fix potential artifacts induced due to block-wise operations. It may be processed

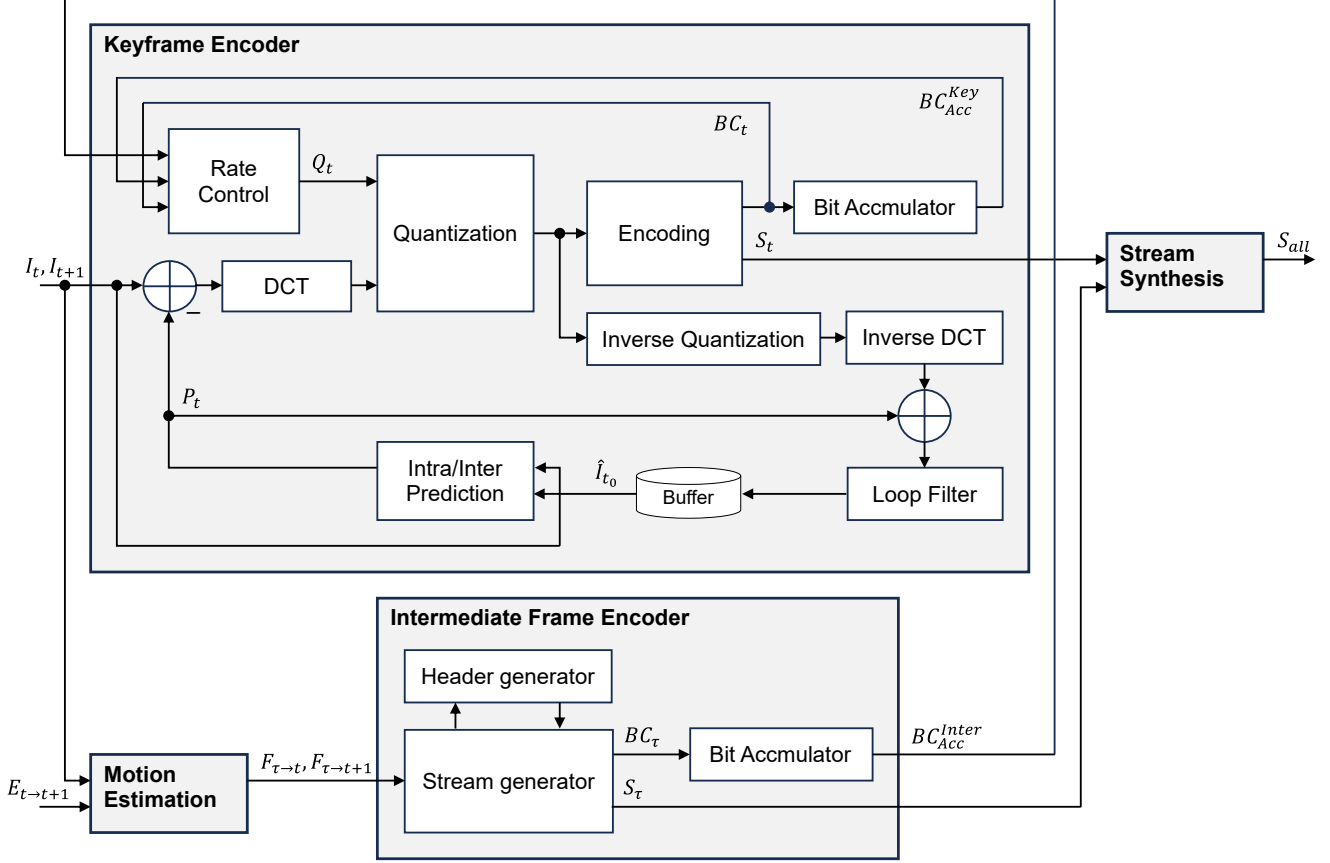


Figure 2. Overview of the proposed system. Key and intermediate frames are encoded separately and synthesized to generate a final bitstream.

by additional loop filters and the resulting filtered signal is stored in a buffer for re-use in subsequent image frames.

Each image is assigned a different coding type, called I-, P-, or B-frame. The I (intra) coding type refers to intra prediction only, while P (predict) and B (bidirectional) represent frames coded using inter prediction with either one (forward) or two motion-compensated prediction signals, respectively. Coding types for each image follow group of pictures (GOP), a sequence of video frames that starts with an I-frame followed by P-frames and B-frames.

3.2. Problem Formulation

Given a pair of consecutive keyframes I_t and I_{t+1} and events $E_{t \rightarrow t+1}$, we aim to generate bitstreams S_t , S_{t+1} for keyframes I_t , I_{t+1} , and a bitstream S_τ for intermediate frames I_τ at timestamps τ ($t < \tau < t + 1$). The bitstream S_τ is generated using motion vectors $F_{\tau \rightarrow t}$ and $F_{\tau \rightarrow t+1}$. The bitstreams S_t , S_{t+1} , and S_τ are synthesized and a final bitstream S_{all} is generated.

3.3. System Overview

Figure 2 shows the overall structure of the proposed system, which consists of a keyframe encoder, optical flow estimation, intermediate frame encoder, and stream synthesis.

The **Keyframe Encoder** block generates the bitstream S_t which is given as:

$$S_t = \text{Enc}(\text{Quant}(\text{DCT}(I_t - P_t); Q_t)). \quad (1)$$

where Enc , Quant , and DCT are functions of encoding, quantization, and DCT, and P_t and Q_t denote the predictive signal and the quantization value, respectively. The predictive signal P_t is given as:

$$P_t = \text{Pred}(I_t, \hat{I}_t). \quad (2)$$

where Pred is the prediction function, and \hat{I}_t is the past frame signal kept in the frame buffer. The quantization value Q_t is given as:

$$Q_t = \text{RateCtrl}(BC_t, BC_{Acc}^{Key}, BC_{Acc}^{Inter}). \quad (3)$$

where RateCtrl is the function to control BC_t , BC_{Acc}^{Key} , and BC_{Acc}^{Inter} which denote the bits spent on the current CU,

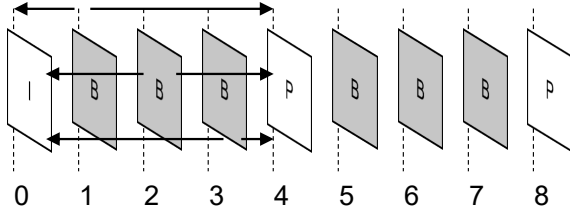


Figure 3. Example of picture structure. Key and intermediate frames are assigned I- or P- and B-, respectively. B-frames refer to keyframes, which allow B-frames to be reconstructed using image warping from keyframes.

those over the keyframes and the intermediate frames inside the current GOP, respectively.

The **Motion Estimation** block estimates motion vectors $F_{\tau \rightarrow t}$ and $F_{\tau \rightarrow t+1}$ which are given as:

$$F_{\tau \rightarrow t}, F_{\tau \rightarrow t+1} = \text{ME}(I_t, E_{t \rightarrow t+1}, I_{t+1}) \quad (4)$$

where ME is the function of motion estimation. You can use any methods such as proposed in [19].

The **Intermediate Frame Encoder** block generates the bitstream S_τ which are given as:

$$S_\tau = \text{SG}(F_{\tau \rightarrow t}, F_{\tau \rightarrow t+1}). \quad (5)$$

where SG is the function of stream generation. The major difference to existing encoders (including Keyframe Encoder) is that the bitstream S_τ is generated without referring to frames captured by sensors. The encoder records the bits BC_{Acc}^{Inter} , and they are fed into Keyframe Encoder to decide quantization values to control bit rate.

The **Stream Synthesis** block synthesizes the bitstreams S_t and S_τ , and generates a final bitstream S_{all} . The bitstream S_{all} is the sequence of the bitstreams S_t and S_τ , which is reordered depending on the picture structure. For instance, if the sequence is IB BBPBBP and reference directions for P and B pictures follow Fig. 3, the decoding order should be IPBBPBBB because P pictures should be decoded before decoding B pictures.

4. Conclusion

We propose a video encoder that generates a bitstream for high frame rate video without explicit interpolation. The proposed method handles motion vectors between keyframes and packs them into a bitstream for higher frame rate video. Intermediate frames are only reconstructed by motion compensation in the decoder side during playback instead of before video encoding, significantly reducing the resources necessary for video recording. In addition, operations of encoding intermediate frames are lighter than those of standard video coding, which should minimize encoding power and computation.

References

- [1] Muhammad Asif Khan, Emna Baccour, Zina Chkirkbene, Aiman Erbad, Ridha Hamila, Mounir Hamdi, and Moncef Gabbouj. A Survey on Mobile Edge Computing for Video Streaming: Opportunities and Challenges. *IEEE Access*, 10:120514–120550, 2022.
- [2] Huaizu Jiang, Deqing Sun, Varun Jampani, Ming-Hsuan Yang, Erik Learned-Miller, and Jan Kautz. Super SloMo: High Quality Estimation of Multiple Intermediate Frames for Video Interpolation. In *Proceedings of the IEEE Conference on Computer Vision and Pattern Recognition*, pages 9000–9008, 2018.
- [3] Simon Niklaus and Feng Liu. Softmax Splatting for Video Frame Interpolation. In *Proceedings of the IEEE/CVF Conference on Computer Vision and Pattern Recognition*, pages 5437–5446, 2020.
- [4] Atsumi Niwa, Futa Mochizuki, Raphael Berner, Takuya Maruyama, Toshio Terano, Kenichi Takamiya, Yasutaka Kimura, Kyoji Mizoguchi, Takahiro Miyazaki, Shun Kaizu, Hirotsugu Takahashi, Atsushi Suzuki, Christian Brandli, Hayato Wakabayashi, and Yusuke Oike. A 2.97 μm -Pitch Event-Based Vision Sensor with Shared Pixel Front-End Circuitry and Low-Noise Intensity Readout Mode. In *2023 IEEE International Solid-State Circuits Conference (ISSCC)*, pages 4–6, Feb. 2023.
- [5] Stepan Tulyakov, Daniel Gehrig, Stamatios Georgoulis, Julius Erbach, Mathias Gehrig, Yuanyou Li, and Davide Scaramuzza. Time Lens: Event-Based Video Frame Interpolation. In *Proceedings of the IEEE/CVF Conference on Computer Vision and Pattern Recognition*, pages 16155–16164, 2021.
- [6] Stepan Tulyakov, Alfredo Bochicchio, Daniel Gehrig, Stamatios Georgoulis, Yuanyou Li, and Davide Scaramuzza. Time Lens++: Event-Based Frame Interpolation With Parametric Non-Linear Flow and Multi-Scale Fusion. In *Proceedings of the IEEE/CVF Conference on Computer Vision and Pattern Recognition*, pages 17755–17764, 2022.
- [7] Weihua He, Kaichao You, Zhendong Qiao, Xu Jia, Ziyang Zhang, Wenhui Wang, Huchuan Lu, Yaoyuan Wang, and Jianxing Liao. TimeReplayer: Unlocking the Potential of Event Cameras for Video Interpolation. In *Proceedings of the IEEE/CVF Conference on Computer Vision and Pattern Recognition*, pages 17804–17813, 2022.
- [8] Song Wu, Kaichao You, Weihua He, Chen Yang, Yang Tian, Yaoyuan Wang, Ziyang Zhang, and Jianxing Liao. Video Interpolation by Event-driven Anisotropic Adjustment of Optical Flow, Dec. 2022.
- [9] Taewoo Kim, Yujeong Chae, Hyun-Kurl Jang, and Kuk-Jin Yoon. Event-Based Video Frame Interpolation With Cross-Modal Asymmetric Bidirectional Motion Fields. In *Proceedings of the IEEE/CVF Conference on Computer Vision and Pattern Recognition*, pages 18032–18042, 2023.
- [10] Kazutoshi Kodama, Yusuke Sato, Yuhi Yorikado, Raphael Berner, Kyoji Mizoguchi, Takahiro Miyazaki, Masahiro Tsukamoto, Yoshihisa Matoba, Hirotaka Shinozaki, Atsumi Niwa, Tetsuji Yamaguchi, Christian Brandli, Hayato Wakabayashi, and Yusuke Oike. 1.22 μm 35.6Mpixel RGB Hy-

brid Event-Based Vision Sensor with $4.88\mu\text{m}$ -Pitch Event Pixels and up to 10K Event Frame Rate by Adaptive Control on Event Sparsity. In *2023 IEEE International Solid-State Circuits Conference (ISSCC)*, pages 92–94, Feb. 2023.

- [11] Gary J. Sullivan, Jens-Rainer Ohm, Woo-Jin Han, and Thomas Wiegand. Overview of the High Efficiency Video Coding (HEVC) Standard. *IEEE Transactions on Circuits and Systems for Video Technology*, 22(12):1649–1668, Feb. 2012.
- [12] Benjamin Bross, Ye-Kui Wang, Yan Ye, Shan Liu, Jianle Chen, Gary J. Sullivan, and Jens-Rainer Ohm. Overview of the Versatile Video Coding (VVC) Standard and its Applications. *IEEE Transactions on Circuits and Systems for Video Technology*, 31(10):3736–3764, Oct. 2021.
- [13] Trinh Man Hoang and Jinjia Zhou. Recent trending on learning based video compression: A survey. *Cognitive Robotics*, 1:145–158, Jan. 2021.
- [14] Ning Yan, Dong Liu, Houqiang Li, Tong Xu, Feng Wu, and Bin Li. Convolutional Neural Network-Based Invertible Half-Pixel Interpolation Filter for Video Coding. In *2018 25th IEEE International Conference on Image Processing (ICIP)*, pages 201–205, Oct. 2018.
- [15] Zhenghui Zhao, Shiqi Wang, Shanshe Wang, Xinfeng Zhang, Siwei Ma, and Jiansheng Yang. Enhanced Bi-Prediction With Convolutional Neural Network for High-Efficiency Video Coding. *IEEE Transactions on Circuits and Systems for Video Technology*, 29(11):3291–3301, Jan. 2019.
- [16] Martin Benjak, Holger Meuel, Thorsten Laude, and Jörn Ostermann. Enhanced Machine Learning-based Inter Coding for VVC. In *2021 International Conference on Artificial Intelligence in Information and Communication (ICAIIIC)*, pages 021–025, Apr. 2021.
- [17] Guo Lu, Wanli Ouyang, Dong Xu, Xiaoyun Zhang, Chunlei Cai, and Zhiyong Gao. DVC: An End-To-End Deep Video Compression Framework. In *Proceedings of the IEEE/CVF Conference on Computer Vision and Pattern Recognition*, pages 11006–11015, 2019.
- [18] Eirikur Agustsson, David Minnen, Nick Johnston, Johannes Balle, Sung Jin Hwang, and George Toderici. Scale-Space Flow for End-to-End Optimized Video Compression. In *Proceedings of the IEEE/CVF Conference on Computer Vision and Pattern Recognition*, pages 8503–8512, 2020.
- [19] Guillermo Gallego, Tobi Delbruck, Garrick Orchard, Chiara Bartolozzi, Brian Taba, Andrea Censi, Stefan Leutenegger, Andrew Davison, Joerg Conradt, Kostas Daniilidis, and Davide Scaramuzza. Event-based Vision: A Survey, Aug. 2020.