

Martingale measure associated with the critical $2d$ stochastic heat flow

Makoto Nakashima

Abstract

In [CSZ23], they proved the convergence of the finite dimensional time distribution of the rescaled random fields derived from the discrete stochastic heat equation of $2d$ -directed polymers in random environment in the critical window. The scaling limit is called critical $2d$ stochastic heat flow (SHF).

In this paper, we will show that the critical $2d$ SHF is a continuous semimartingale. Moreover, we will consider the martingale problem associated with the critical $2d$ SHF in a similar fashion to the super Brownian motion which is one of the well-known measure valued process. Also, we define the martingale measure associated with the critical $2d$ SHF in the sense of [Wal86, Chapter 2].

The quadratic variation of the martingale measure gives information of the regularity of the critical $2d$ SHF.

MSC 2020 Subject Classification: Primary 60H17. Secondary 65C35, 60G44.

Key words: Critical $2d$ stochastic heat flow, Directed polymers in random environment, Martingale problem, Martingale measure.

1 Introduction and main results

Kardar-Parisi-Zhang considered the stochastic partial differential equations (*KPZ equation*) which describes the evolution of the random interface:

$$\partial_t h = \nu \Delta h + \frac{\lambda}{2} |\nabla h|^2 + \dot{\mathcal{W}}, \quad (\text{KPZ})$$

where $\dot{\mathcal{W}}$ is space-time white noise on $[0, \infty) \times \mathbb{R}^d$ [KPZ86]. It is ill-posed due to the term $|\nabla h|^2$ which should be the square of distribution. In [KPZ86], they also considered the formal transformation $u(t, x) = \exp\left(\frac{\lambda}{2\nu} h(t, x)\right)$ and obtained the multiplicative stochastic heat equation

$$\partial_t u = \nu \Delta u + \frac{\lambda}{2\nu} u \dot{\mathcal{W}}. \quad (\text{SHE})$$

In [BG97], Bertini and Giacomin studied this transformation mathematically in dimension 1 in the analysis of weakly asymmetric simple exclusion process and SOS process. They considered the mollified stochastic heat equation

$$\partial_t u^\varepsilon = \frac{1}{2} \Delta u^\varepsilon - \lambda u^\varepsilon \dot{\mathcal{W}}^\varepsilon, \quad (\text{SHE}_\varepsilon)$$

under suitable initial condition $u_0(x) > 0$, where $\dot{\mathcal{W}}^\varepsilon(t, x) := \int_{\mathbb{R}} j_\varepsilon(x-y) \dot{\mathcal{W}}(t, y) dy$ is a space-mollified noise for the probability density $j \in C_c^\infty(\mathbb{R})$ with $j(x) = j(-x)$ and $j^\varepsilon(x) = \varepsilon^{-1} j\left(\frac{x}{\varepsilon}\right)$. Then, $h^\varepsilon(t, x) := \log u^\varepsilon(t, x)$ satisfies a mollified KPZ equation

$$\partial_t h^\varepsilon = \frac{1}{2} \Delta h^\varepsilon - \frac{\lambda}{2} (|\nabla h^\varepsilon|^2 - J_\varepsilon(0)) + \dot{\mathcal{W}}, \quad (\text{KPZ}_\varepsilon)$$

where $C_\varepsilon(y) = \frac{1}{\varepsilon} \int j(x)j(y-x)dy$.

They proved that u^ε converges a.s. and in L^p to the solution of (SHE) uniformly on the compact set in $[0, \infty) \times \mathbb{R}$. Also, Mueller proved that if u_0 is nonnegative, not identically zero, and continuous, then $u(t, x)$ is strictly positive on \mathbb{R} for all $t > 0$ [Mue91]. Thus, we find that h^ε also converges to some process $\mathfrak{h}(t, x) := \log u(t, x)$ a.s., which is so called *Cole-Hopf solution* of (KPZ).

For KPZ equation, Hairer developed the *regularity structures* and showed the existence of the distributional solution to (KPZ)[Hai14a, Hai14b, FH14]. In the singular SPDE literature, the existence of the solution of (KPZ) has been proved by Gubinelli-Imkeller-Perkowski via the *Paracontrolled calculus*[GIP15], by Gonçalves-Jara via the *energy solutions*[GJ14], and by Kupiainen via the *renormalization group approach*[Kup16].

Many attempts have been made to construct solutions of (KPZ) for $d \geq 2$, where the dimension $d = 1$ ($d = 2$, $d \geq 3$) is called *sub-critical(critical, super-critical)* in the literature of singular SPDE[Hai14b]. Also, $d = 1$ and $d \geq 3$ are called *ultraviolet superrenormalizable* and *infrared renormalizable* in the physicists' language [MU18], respectively.

One approach is to modify the Bertini-Giacomin's idea: We consider the stochastic heat equation

$$\partial_t u^{\beta_0, \varepsilon} = \frac{1}{2} \Delta u^{\beta_0, \varepsilon} - \beta_\varepsilon u^{\beta_0, \varepsilon} \mathcal{W}, \quad (\text{SHE}_{\beta_0, \varepsilon})$$

where $\beta_0 \geq 0$ and β_ε is defined by

$$\beta_\varepsilon = \begin{cases} \beta_0 \sqrt{\frac{2\pi}{-\log \varepsilon}} & d = 2 \\ \beta_0 \varepsilon^{\frac{d}{2}-1} & d \geq 3. \end{cases}$$

In (SHE $_{\beta_0, \varepsilon}$), the strength of the noise term of (SHE $_\varepsilon$) is tuned. Then, it has been proved that there exists a phase transition of the one-point distribution in the following sense. There exists $\beta_c > 0$ such that if $0 \leq \beta_0 < \beta_c$ (*subcritical regime*), then $u^{\beta_0, \varepsilon}(t, x)$ converges to a non-trivial random variable $u^{\beta_0, *}(t, x)$ for each $t > 0$ and $x \in \mathbb{R}^d$ as $\varepsilon \rightarrow 0$, and if $\beta_0 > \beta_c$ (*supercritical regime*), then $u^{\beta_0, \varepsilon}(t, x)$ vanishes[MSZ16, CSZ17]. However, we know that if $\beta_0 < \beta_c$, then $u^{\beta_0, \varepsilon}$ converges to the solution of the non-random heat equation in the weak sense, i.e. for each test function $\phi \in C_c$, $\int_{\mathbb{R}^d} u^{\beta_0, \varepsilon}(t, x) \phi(x) dx \rightarrow \int_{\mathbb{R}^d \times \mathbb{R}^d} u_0(y) p_t(x, y) \phi(y) dx dy$ in probability, where $p_t(x, y)$ is the Gaussian density with mean 0 and variance t [MSZ16, CNN22, CSZ17], which can be regarded as the law of large numbers. Thus, we cannot give the new definition of (SHE) (and hence (KPZ)) for the subcritical regime.

Remark 1.1. We know that in the subcritical regime, the fluctuations of the centered field $u^{\beta_0, \varepsilon}$ and $h^{\beta_0, \varepsilon} = \log u^{\beta_0, \varepsilon}$ converges to the solution of Edwards-Wilkinson type equation [GRZ18, DGRZ20, GRZ18, MU18, CSZ20, CCM20, CCM24, CD20, CNN22, LZ22, CC22] in so-called L^2 -regime, which can be regarded as the central limit theorem. For $d \geq 3$, Junk and Nakajima discussed the fluctuation of the centered field of directed polymers (the discrete counterpart of (SHE $_\varepsilon$)) beyond the L^2 -regime[Jun23, Jun24, JN24].

One is interested in the critical case $\beta_0 = \beta_c = 1$ for $d = 2$ is the interesting phase. In [BC98], Bertini and Cancrini retake β_ε and consider the critical window around the critical point $\beta_c = 1$ given by

$$\beta_\varepsilon = \sqrt{\frac{2\pi}{-\log \varepsilon} + \frac{\rho + o(1)}{(-\log \varepsilon)^2}}, \quad \rho \in \mathbb{R}.$$

They proved that if $u_0, \psi \in L^2(\mathbb{R}^2)$, then the variance of $\int_{\mathbb{R}^2} u^{\beta_0, \varepsilon}(t, x) \psi(x) dx$ converges to the nontrivial quantity which has the same form as (2.13). Thus, the tightness of the random field $u^{\beta_0, \varepsilon}(t, x)$ follows. Moreover, the finiteness of the higher moments has been verified by Caravenna-Sun-Zygouras[CSZ19b] and Gu-Quastel-Tsai[GQT21] so that the limit point field should be random field. Finally, the weak convergence of the random field was proved by Caravenna-Sun-Zygouras for directed polymers setting in finite dimensional time distribution

sense in [CSZ23] and by Tsai for (SHE) $_{\beta_0, \varepsilon}$ in process level in [Tsa24]. Thus, the limit \mathcal{Z} can be regarded as the solution to (SHE) for $d = 2$.

Our main results concern the martingale part of (SHE) for \mathcal{Z} . If we rewrite (SHE) formally by

$$\begin{aligned} & \int_{\mathbb{R}^2} \mathcal{Z}(t, x) \psi(x) dx - \int_{\mathbb{R}^2} \mathcal{Z}(0, x) \phi(x) \psi(x) dx \\ &= \int_0^t \int_{\mathbb{R}^2} \frac{1}{2} \Delta \mathcal{Z}(s, x) \psi(x) dx ds + \int_0^t \int_{\mathbb{R}^2} \beta \mathcal{Z}(s, x) \psi(x) \mathcal{W}(ds, dx), \end{aligned}$$

then we may believe the stochastic integral of the last term would be martingale. However, [CSZ24] shows that the random field $Z_t(dx)$ is singular with respect to Lebesgue measure. Therefore, the stochastic integral is formal. In our main results, we will show that it is indeed a martingale and its quadratic variation can be described in terms of Z .

1.1 Setting and known results

In this paper, we consider the model in the discrete setting as in [CSZ23].

Let $\{\omega_{n,x}\}_{n \in \mathbb{Z}, x \in \mathbb{Z}^2}$ be i.i.d. random variables with the law \mathbb{P} such that

$$\mathbb{E}[\omega_{n,x}] = 0, \quad \mathbb{E}[\omega_{n,x}^2] = 1, \quad \lambda(\beta) := \log \mathbb{E} \left[e^{\beta \omega_{n,x}} \right] < \infty \quad \text{for small } \beta > 0. \quad (1.1)$$

Now, we introduce the random fields according to [CSZ23, CSZ24].

Let $\{S_n\}_{n \in \mathbb{Z}}$ be an irreducible, symmetric, and aperiodic random walk on \mathbb{Z}^2 whose increment $\xi := S_1 - S_0$ has mean 0 and covariance matrix being the identity matrix I . Let P and E denote probability and expectation for S . Also, we assume that ξ has finite support, i.e. there exists a finite set $\Sigma \subset \mathbb{Z}^2$ such that $P(\xi \in \Sigma) = 1$.

We define the point-to-point partition function of $2d$ -directed polymers in random environment

$$Z_{M,N}^\beta(x, y) := E \left[\exp \left(\sum_{i=M+1}^N (\beta \omega_{i, S_i} - \lambda(\beta)) \right) \mathbb{1}_{S_N=y} \middle| S_M = x \right] \quad (1.2)$$

$$\bar{Z}_{M,N}^\beta(x, y) := E \left[\exp \left(\sum_{i=M+1}^{N-1} (\beta \omega_{i, S_i} - \lambda(\beta)) \right) \mathbb{1}_{S_N=y} \middle| S_M = x \right] \quad (1.3)$$

for $M, N \in \mathbb{Z}$ ($M \leq N$) and $x, y \in \mathbb{Z}^2$, $\beta \geq 0$, where we use the convention $\sum_{n=M+1}^k \{\dots\} =: 0$ for $k < M+1$.

We note that

$$\mathbb{E} \left[Z_{M,N}^\beta(x, y) \right] = \mathbb{E} \left[\bar{Z}_{M,N}^\beta(x, y) \right] = P(S_N = y | S_M = x) = q_{N-M}(y-x).$$

where we denote by $q_n(x)$ the transition probability kernel of the underlying random walk starting at 0 i.e.

$$q_n(x) := P(S_n = x | S_0 = 0)$$

for $x \in \mathbb{Z}^2$, $n \geq 0$.

For $s \in \mathbb{R}$, we denote by $[s]$ the greatest integer $n \leq s$. For $x \in \mathbb{R}^2$, we define $[x]$ by the closest point $z \in \mathbb{Z}^2$ of $x \in \mathbb{R}^2$ (if more than two points exist, we choose the smallest one in the lexicographic order). Also, we write $[s] = s$ and $[x] = x$ for $s \in \mathbb{R}$ and $x \in \mathbb{R}^2$ if it is clear from the context that s and x should be an integer and a lattice point.

For fixed $N \geq 1$, we focused on rescaled random measure valued flows which are defined by

$$Z_{N;s,t}^\beta := \frac{1}{N} \sum Z_{[Ns],[Nt]}^\beta(x, y) \delta_{\frac{x}{\sqrt{N}}} \delta_{\frac{y}{\sqrt{N}}},$$

for $-\infty < s \leq t < \infty$, where we take the summation over all $x, y \in \mathbb{Z}^2$. Then, we have for $\phi \in C_c^2(\mathbb{R}^2)$, $\psi \in C_b^2(\mathbb{R}^2)$, and $-\infty < s \leq t < \infty$

$$\begin{aligned} Z_{N;s,t}^\beta(\phi, \psi) &:= \frac{1}{N} \sum_{x \in \mathbb{Z}^2} \sum_{y \in \mathbb{Z}^2} \phi\left(\frac{x}{\sqrt{N}}\right) Z_{[Ns],[Nt]}^\beta(x, y) \psi\left(\frac{y}{\sqrt{N}}\right) \\ &= \frac{1}{N} \sum_{y \in \mathbb{Z}^2} E \left[\phi\left(\frac{S_{[Nt]}}{\sqrt{N}}\right) \exp\left(\sum_{i=[Ns]+1}^{[Nt]} (\beta \omega_{i, S_{[Nt]-i+[Ns]} - \lambda(\beta)})\right) \Big| S_{[Ns]} = y \right] \psi\left(\frac{y}{\sqrt{N}}\right) \end{aligned} \quad (1.4)$$

We define $\bar{Z}_{N;s,t}^\beta$ and $\bar{Z}_{N;s,t}^\beta(\phi, \psi)$ by replacing Z^β by \bar{Z}^β .

We equip with the space of locally finite measures on $\mathbb{R}^2 \times \mathbb{R}^2$ and finite measures on \mathbb{R}^2 with the topology of vague convergence and the topology of weak convergence, respectively:

$$\mu_N \rightarrow \mu \stackrel{\text{def}}{\iff} \text{for any } \phi \in C_c(\mathbb{R}^2 \times \mathbb{R}^2), \int \phi(x, y) \mu_N(dx, dy) \rightarrow \int \phi(x, y) \mu(dx, dy)$$

for μ_N and μ the locally finite measures on $\mathbb{R}^2 \times \mathbb{R}^2$ and

$$\nu_N \rightarrow \nu \stackrel{\text{def}}{\iff} \text{for any } \phi \in C_b(\mathbb{R}^2), \int \phi(x) \nu_N(dx) \rightarrow \int \phi(x) \nu(dx)$$

for ν_N and ν the finite measures on \mathbb{R}^2 .

Remark 1.2. The sequence of random measure-valued flow $Z_N^\beta = \left\{ Z_{N;s,t}^\beta \right\}_{-\infty < s \leq t < \infty}$ are almost the same one considered in [CSZ23, CSZ24]. The differences are as follows:

- (1) In [CSZ23, CSZ24], they used \bar{Z}_N^β instead of Z_N^β .
- (2) In [CSZ23, CSZ24], random measures are absolutely continuous with respect to Lebesgue measures by replacing Dirac measure by uniform measure on square.

However, these differences are negligible for the convergence.

To see the nontrivial limit of random measures obtained in [CSZ23, CSZ24], we rescale the strength of disorders β as $\beta = \beta_N$ properly.

Let S' be an independent copy of S and R_N be the expectation of the number of collisions of S and S' up to time N :

$$R_N := \sum_{n=1}^N P(S_n = S'_n) = \sum_{n=1}^N \sum_{x \in \mathbb{Z}^2} q_n(x)^2 = \sum_{n=1}^N q_{2n}(0).$$

Then, the local limit theorem below gives that the asymptotic behavior

$$R_N \sim \frac{\log N}{4\pi} (1 + o(1)) \quad (1.5)$$

Theorem 1.3. (The local limit theorem [Spi76, P7.9], [LL10, Theorem 2.3.5, Theorem 2.3.11]) Let q_n be the transition probability kernel defined as above. Then, we have

$$q_n(x) = p_n(x) + O\left(\frac{1}{n^2}\right) = p_n(x) e^{O\left(\frac{1}{n} + O\left(\frac{|x|^4}{n^3}\right)\right)} \quad (1.6)$$

for $n \in \mathbb{N}$, $x \in \mathbb{Z}^2$, where

$$p_t(x) = \frac{1}{2\pi t} \exp\left(-\frac{|x|^2}{2t}\right) \quad t > 0, x \in \mathbb{R}^2 \quad (1.7)$$

is the Gaussian density on \mathbb{R}^2 with mean 0 and variance tI .

We choose the disorder strength $\beta = \beta_N$ such that

$$\sigma_N^2 := e^{\lambda(2\beta_N) - 2\lambda(\beta_N)} - 1 = \frac{1}{R_N} \left(1 + \frac{\vartheta}{\log N} (1 + o(1))\right) \quad \text{as } N \rightarrow \infty \quad (1.8)$$

for some $\vartheta \in \mathbb{R}$.

Theorem 1.4. [CSZ23, Theorem 1.1] [CSZ24, Theorem 6.1] The family of random measures $Z_N^{\beta_N} = \left\{Z_{N;s,t}^{\beta_N}\right\}_{-\infty < s \leq t < \infty}$ converges in finite dimensional distribution to a unique limit (called Critical 2d Stochastic Heat Flow)

$$\mathcal{Z}^\vartheta = \left\{Z_{s,t}^\vartheta(dx, dy)\right\}_{-\infty < s \leq t < \infty}.$$

Moreover, the distribution of \mathcal{Z}^ϑ is independent of the choice of $\{\omega_{n,x}\}_{n,x}$.

Remark 1.5. We will see that $\mathbb{E} \left[\left(Z_{N;s,t}^{\beta_N}(\phi, \psi) - \bar{Z}_{N;s,t}^{\beta_N}(\phi, \psi) \right)^2 \right] \rightarrow 0$ in Remark 3.1, so $\left\{ \bar{Z}_{N;s,t}^{\beta_N} \right\}$ also converges to \mathcal{Z}^ϑ .

Remark 1.6. The statement in Theorem 1.4 is a bit different from the original one in [CSZ23] at the point of the range of $s \leq t$ but it does not affect the proof in [CSZ23]. Also, [CSZ23, Theorem 9.1] says that for $0 \leq s_i \leq t_i < \infty$, $\phi_i \in C_c(\mathbb{R}^2)$, and $\psi_i \in C_b(\mathbb{R}^2)$ ($i = 1, \dots, k$)

$$\left\{ Z_{N;s_i,t_i}^{\beta_N}(\phi_i, \psi_i) \right\}_{i=1,\dots,k} \Rightarrow \left\{ Z_{s_i,t_i}^\vartheta(\phi_i, \psi_i) \right\}_{i=1,\dots,k},$$

where

$$Z_{s,t}^\vartheta(\phi, \psi) = \int \int \phi(x) \psi(y) Z_{s,t}^\vartheta(dx, dy).$$

Remark 1.7. In this paper, we focus only on the case $s = 0$ (so $[Ns] = 0$). Hence, we often omit the first coordinate of pair of times for a flow $\{X_{s,t}\}_{-\infty < s \leq t < \infty}$.

Remark 1.8. In [Tsa24], Tsai proves the convergence of flows derived from the mollified stochastic heat equation (SHE $_{\beta_0, \varepsilon}$) with the critical windows.

1.2 Measure valued process

We will show that for fixed $\phi \in C_c(\mathbb{R}^d)$,

$$\mathcal{Z}^\vartheta(\phi, dy) := \left\{ Z_t^\vartheta(\phi, dy) \right\}_{t \geq 0}$$

has a version which has continuous sample paths almost surely, where we define

$$Z_t^{\vartheta, \phi}(dy) = Z_t^\vartheta(\phi, dy) := \int \phi(x) Z_t^\vartheta(dx, dy),$$

and give a semimartingale representation.

First of all, we recall some facts about measure-valued process from [Per02] which is a textbook of Dawson-Watanabe superdiffusions (or super-Brownian motions).

Let E be a Polish space. Then, we define

$$\begin{aligned} C(E) &:= C(\mathbb{R}_+, E) \text{ the set of } E\text{-valued paths with the topology of uniform convergence on compacts,} \\ D(E) &:= D(\mathbb{R}_+, E) \text{ the set of càdlàg } E\text{-valued paths with the Skorokhod } J_1\text{-topology.} \end{aligned}$$

Let $M_F(\mathbb{R}^2)$ be the set of finite measures on \mathbb{R}^2 with the topology of weak convergence. Then, $M_F(\mathbb{R}^2)$ is also a Polish space [EK86, Theorem 3.1.7] and hence $D(M_F(\mathbb{R}^2))$ is a Polish space.

For a càdlàg $M_F(\mathbb{R}^2)$ -valued process $X = \{X_t\}_{t \geq 0}$, we denote by

$$\mathcal{F}_t^X = \bigcap_{u > t} \sigma[X_r : 0 \leq r \leq u] \quad (1.9)$$

the right-continuous filtration generated by a process X .

Our first main result shows the existence of a continuous version of $Z_t^{\vartheta, \phi}$.

Theorem 1.9. *For each $\phi \in C_c^+(\mathbb{R}^2)$, there exists a continuous $M_F(\mathbb{R}^2)$ -valued process $Z^{\vartheta, \phi} = \{Z_t^{\vartheta, \phi}\}_{t \geq 0}$ such that its finite dimensional distributions are identical to those of the Critical 2d SHF.*

Remark 1.10. *In [Tsa24], Tsai obtains “another” critical 2d stochastic heat flows $\tilde{Z}^{\vartheta'}$ from the mollified stochastic heat equation (SHE $_{\beta_0, \varepsilon}$) with the critical windows. We may expect that Z^{ϑ} by [CSZ23] and $Z^{\vartheta'}$ by [Tsa24] are identical for some suitable pairs (ϑ, ϑ') , but it has not yet been verified.*

In [Tsa24], he gives a characterization of the critical 2d SHF by four conditions, one of which is the conditions of continuity of the flows, i.e. the continuity in two parameters (s, t) . In Theorem 1.9, we have proved the continuity of the process, i.e. the continuity in one parameter t .

Our second theorem gives a martingale problem of the measure-valued process $Z^{\vartheta, \phi}$, which is similar to the form discussed in super-Brownian motion.

Theorem 1.11. *Let $\phi \in C_c^+(\mathbb{R}^2)$, $\psi \in C_b^2(\mathbb{R}^2)$, and $\vartheta \in \mathbb{R}$. Let $Z^{\vartheta, \phi}(\psi) := \int \psi(x) Z^{\vartheta, \phi}(dx)$ be the continuous process. We define*

$$\mathcal{M}_t^{\vartheta, \phi}(\psi) := Z_t^{\vartheta, \phi}(\psi) - \int \phi(x) \psi(y) dx dy - \int_0^t Z_s^{\vartheta, \phi} \left(\frac{1}{2} \Delta \phi \right) ds \quad (1.10)$$

for $t \geq 0$. Then, $\mathcal{M}_t^{\vartheta, \phi}(\psi)$ is a continuous $\left\{ \mathcal{F}_t^{Z^{\vartheta, \phi}} \right\}_{t \geq 0}$ -martingale such that

$$\begin{aligned} \mathcal{M}_0^{\vartheta, \phi}(\psi) &= 0 \\ \langle \mathcal{M}^{\vartheta, \phi}(\psi) \rangle_t &= - \lim_{\varepsilon \rightarrow 0} \frac{4\pi}{\log \varepsilon} \int_0^t \int_{\mathbb{R}^2} (Z_u^{\vartheta, \phi}(p_\varepsilon(\cdot - z)))^2 \psi(z)^2 dz du, \end{aligned} \quad (1.11)$$

where

$$Z_t^{\vartheta, \phi}(p_\varepsilon(\cdot - x)) = \int_{\mathbb{R}^2} \int_{\mathbb{R}^2} \phi(y) p_\varepsilon(z - x) Z_t^{\vartheta}(dy, dz). \quad (1.12)$$

and (1.11) is locally uniform convergence in probability.

Remark 1.12. We remark that the martingale problem in Theorem 1.11 is ill-posed. Indeed, dropping the superscripts ϑ in (1.10)-(1.12) does not change the martingale problem. However, we find that

$$\mathcal{Z}_t^{\vartheta, \phi}(1) = \mathcal{M}_t^{\vartheta, \phi}(1) \stackrel{d}{=} \mathcal{M}_t^{\vartheta', \phi}(1) = \mathcal{Z}_t^{\vartheta', \phi}(1)$$

for $\vartheta \neq \vartheta'$ by looking at their variances (see (2.13)). In particular, we know that the deterministic process

$$\mathcal{Z}_t^{-\infty, \phi}(\psi) := \int_{\mathbb{R}^2} dx \int_{\mathbb{R}^2} dy \phi(x) p_t(x, y) \psi(y)$$

satisfies (1.11) with the constant quadratic variation. Thus, the martingale problem (1.10)-(1.12) has a family of solutions $\{\mathcal{Z}^{\vartheta, \cdot}(\cdot)\}_{\vartheta \in \mathbb{R} \cup \{-\infty\}}$.

Remark 1.13. Let u be a formal solution to the stochastic heat equation

$$\partial_t u = \frac{1}{2} \Delta u + \lambda u \dot{W}, \quad u(0, x) = \phi(x).$$

and suppose it has a continuous density. Then, the quadratic variation process $\langle \int_{\mathbb{R}^2} u(\cdot, x) \psi(x) dx \rangle_t$ is formally given by

$$\int_0^t \int_{\mathbb{R}^2} \lambda^2 u^2(s, x) \psi(x)^2 dx ds \quad (1.13)$$

due to the effect of space-time white noise. Theorem 1.11 gives the rigorous definition of (1.13).

Actually, [CSZ24] shows that $\mathcal{Z}_t^{\vartheta, \phi}(dy)$ is not absolutely continuous with respect to Lebesgue measure, and hence $\mathcal{Z}_t^{\vartheta, \phi}(p_\varepsilon(\cdot - x))$ diverges at some points. So we need a renormalization factor $\frac{1}{\log \frac{1}{\varepsilon}}$ in (1.11).

Remark 1.14. For a usual super-Brownian motions $\{X_t\}_{t \geq 0}$, their quadratic variation $\langle X(\psi) \rangle_t$ is given by

$$\langle X(\psi) \rangle_t = \gamma \int_0^t X_s(\psi^2) ds \quad t \geq 0$$

for some $\gamma > 0$ which is explicitly determined by the measure valued process $\{X_t\}_{t \geq 0}$.

Just on the one hand, the quadratic variation for super-Brownian motion with a single point catalyst is represented by the density field which is given by the limit of $\int_0^t X_s(p_\varepsilon(\cdot - y))$ for $d = 1$ [DF94].

By the definition of the cross variation of the martingales, we have the following.

Corollary 1.15. Let $\phi \in C_c^+(\mathbb{R}^2)$, $\psi_1, \psi_2 \in C_b^2(\mathbb{R}^2)$, and $\vartheta \in \mathbb{R}$. Let $\mathcal{M}_t^{\vartheta, \phi}(\psi_i)$ ($i = 1, 2$) be the martingales defined by (1.10) for ψ_1, ψ_2 . Then, we have

$$\langle \mathcal{M}^{\vartheta, \phi}(\psi_1), \mathcal{M}^{\vartheta, \phi}(\psi_2) \rangle_t = - \lim_{\varepsilon \rightarrow 0} \frac{4\pi}{\log \varepsilon} \int_0^t \int_{\mathbb{R}^2} (\mathcal{Z}_u^{\vartheta, \phi}(p_\varepsilon(\cdot - z)))^2 \psi_1(z) \psi_2(z) dz du, \quad (1.14)$$

where (1.14) is locally uniform convergence in probability.

Remark 1.16. Theorem 1.11 gives the semimartingale representation of $\mathcal{Z}^{\vartheta, \phi}(\psi)$. It is natural to consider Itô's formula to $f(\mathcal{Z}_t^{\vartheta, \phi}(\psi))$ for a function $f \in C_b^2(\mathbb{R})$. Then, we have

$$\begin{aligned} f(\mathcal{Z}_t^{\vartheta, \phi}(\psi)) &= f(\mathcal{Z}_0^{\vartheta, \phi}(\psi)) + \int_0^t f'(\mathcal{Z}_s^{\vartheta, \phi}(\psi)) \mathcal{Z}_s^{\vartheta, \phi} \left(\frac{1}{2} \Delta \psi \right) ds \\ &\quad + \int_0^t f'(\mathcal{Z}_s^{\vartheta, \phi}(\psi)) d\mathcal{M}_s^{\vartheta, \phi}(\psi) \\ &\quad + \frac{1}{2} \int_0^t f''(\mathcal{Z}_s^{\vartheta, \phi}(\psi)) d\langle \mathcal{M}^{\vartheta, \phi}(\psi) \rangle_s. \end{aligned}$$

However, it is not obvious whether

$$\int_0^t f''(\mathcal{Z}_s^{\vartheta, \phi}(\psi)) d\langle \mathcal{M}^{\vartheta, \phi}(\psi) \rangle_s = -\lim_{\varepsilon \rightarrow 0} \frac{4\pi}{\log \varepsilon} \int_0^t \int_{\mathbb{R}^2} f''(\mathcal{Z}_s^{\vartheta, \phi}(\psi)) (\mathcal{Z}_s^{\vartheta, \phi}(p_\varepsilon(\cdot - z)))^2 \psi(z)^2 dz ds \quad (1.15)$$

in probability holds. The absolute continuity of $\langle \mathcal{M}^{\vartheta, \phi}(\psi) \rangle_s$ in time with respect to the Lebesgue measure is not clear. It remains open.

Remark 1.17. To formulate (KPZ) via Cole-Hopf transformation, we may look at $\log \mathcal{Z}_t^{\vartheta, \phi}(p_\varepsilon(\cdot - x))$ instead of $\log \mathcal{Z}_t^{\vartheta, \phi}(x)$ since the latter is ill-posed. Since $\mathcal{Z}_t^{\vartheta, \phi}(p_\varepsilon(\cdot - x)) \rightarrow 0$ for Lebesgue almost everywhere $x \in \mathbb{R}^2$ a.s. [CSZ24, (10.9)],

$$\log \mathcal{Z}_t^{\vartheta, \phi}(p_\varepsilon(\cdot - x)) \rightarrow -\infty$$

for Lebesgue almost everywhere $x \in \mathbb{R}^2$ a.s.. Thus, we also need to introduce another renormalization for this approach: Find a_ε and $b_\varepsilon(x)$ such that for each $\psi \in C_c^2(\mathbb{R}^2)$

$$a_\varepsilon \int_{\mathbb{R}^2} \left(\log \mathcal{Z}_t^{\vartheta, \phi}(p_\varepsilon(\cdot - x)) - b_\varepsilon(x) \right) \psi(x) dx \rightarrow \exists \mathfrak{H}_t(\phi, \psi).$$

1.2.1 Martingale measure

For fixed $\vartheta \in \mathbb{R}$ and $\phi \in C_c^+(\mathbb{R}^2)$, let \mathcal{M}_c^2 be the set of continuous $\mathcal{F}_t^{\mathcal{Z}^{\vartheta, \phi}}$ -martingales M with $M_0 = 0$ and $\mathbb{E}[M_t^2] < \infty$ for each $t > 0$.

Then, we found that $\mathcal{M}^{\vartheta, \phi}$ maps a function in $C_b^2(\mathbb{R}^2)$ to a process $\mathcal{M}_t^{\vartheta, \phi}(\psi) \in \mathcal{M}_c^2$ linearly.

In the following theorem, we will see the extension of the map $\mathcal{M}^{\vartheta, \phi} : C_b^2(\mathbb{R}^2) \rightarrow \mathcal{M}_c^2$.

Theorem 1.18. Let $\phi \in C_c^+(\mathbb{R}^2)$, and $\vartheta \in \mathbb{R}$. Then, there exists a unique linear extension of $\mathcal{M}^{\vartheta, \phi} : C_b^2(\mathbb{R}^2) \rightarrow \mathcal{M}_c^2$ to $\mathcal{M}^{\vartheta, \phi} : \mathcal{B}_b(\mathbb{R}^2) \rightarrow \mathcal{M}_c^2$ such that

$$\langle \mathcal{M}^{\vartheta, \phi}(\psi) \rangle_t = \lim_{\varepsilon \rightarrow 0} \frac{4\pi}{-\log \varepsilon} \int_0^t \int_{\mathbb{R}^2} (\mathcal{Z}_s^{\vartheta, \phi}(p_\varepsilon(\cdot - z)))^2 \psi(z)^2 dz ds \quad (1.16)$$

for each $t > 0$, where $\mathcal{B}_b(\mathbb{R}^2)$ is the set of bounded Borel measurable functions and (1.16) is locally uniform convergence in probability.

For $\psi(x) := 1_A(x)$ ($A \in \mathcal{B}(\mathbb{R}^2)$), we denote by $\mathcal{M}_t^{\vartheta, \phi}(A) := \mathcal{M}_t^{\vartheta, \phi}(1_A)$.

Remark 1.19. Theorem 1.18 and Corollary 1.15 imply that $\mathcal{M}^{\vartheta, \phi}(\cdot)$ would be an orthogonal martingale measure in the sense of Walsh [Wal86, Chapter 2]. Indeed, for each $A \in \mathcal{B}(\mathbb{R}^2)$, $\mathcal{M}_t^{\vartheta, \phi}(A)$ is a continuous martingale and if $A, B \in \mathcal{B}(\mathbb{R}^2)$ with $A \cap B = \emptyset$, then

$$\langle \mathcal{M}^{\vartheta, \phi}(A), \mathcal{M}^{\vartheta, \phi}(B) \rangle_t = 0 \quad \text{a.s. for each } t > 0.$$

Moreover, we can define the stochastic integral with respect to this martingale measure in the general theory in [Wal86]. However, we don't discuss it in this paper.

1.3 Organization of the paper

In section 2, we review some results related to the analysis of moments of Z from [CSZ19b, CSZ24]. In section 3, we give an outline of the proof of Theorem 1.9 and Theorem 1.11. Section 4.1-6 are devoted to the detailed proofs. In section 7, we will discuss the regularity of the critical $2d$ stochastic heat flow.

2 Variance and its limit

In this section, we will look at the variances of $Z_{N;t}^{\beta_N, \phi}(\psi)$.

First, it is easy to see that

$$\mathbb{E} \left[Z_{N;t}^{\beta_N, \phi}(\psi) \right] = \frac{1}{N} \sum_{x \in \mathbb{Z}^2} \sum_{y \in \mathbb{Z}^2} \phi \left(\frac{x}{\sqrt{N}} \right) q_{Nt}(y-x) \psi \left(\frac{y}{\sqrt{N}} \right)$$

and

$$\lim_{N \rightarrow \infty} \mathbb{E} \left[Z_{N;t}^{\beta_N, \phi}(\psi) \right] \rightarrow \int_{\mathbb{R}^2} \phi(x) dx \int_{\mathbb{R}^2} p_t(y-x) \psi(y) dy. \quad (2.1)$$

Also, the standard L^2 -moment method for DPRE yields

$$\begin{aligned} & \mathbb{E} \left[Z_{N;t}^{\beta_N, \phi}(\psi)^2 \right] \\ &= \frac{1}{N^2} \sum_{y, y' \in \mathbb{Z}^2} \psi \left(\frac{y}{\sqrt{N}} \right) \psi \left(\frac{y'}{\sqrt{N}} \right) E_{y, y'}^{\otimes} \left[e^{(\lambda(2\beta_N) - 2\lambda(\beta_N)) \sum_{i=1}^{\lfloor Nt \rfloor} 1_{\{S_i = S'_i\}}} \psi \left(\frac{S_{Nt}}{\sqrt{N}} \right) \psi \left(\frac{S'_{Nt}}{\sqrt{N}} \right) \right], \end{aligned}$$

where (S, P_x) and $(S', P_{x'})$ are independent random walks starting at x and x' whose increments has the same law with ξ , respectively. Since

$$\begin{aligned} e^{(\lambda(2\beta_N) - 2\lambda(\beta_N)) \sum_{i=1}^{\lfloor Nt \rfloor} 1_{\{S_i = S'_i\}}} &= \prod_{i=1}^{Nt} (1 + \sigma_N^2 1_{\{S_i = S'_i\}}) \\ &= 1 + \sum_{k=1}^{\lfloor Nt \rfloor} \sigma_N^{2k} \sum_{1 \leq i_1 < \dots < i_k \leq \lfloor Nt \rfloor} \prod_{j=1}^k 1_{\{S_{i_j} = S'_{i_j}\}}, \end{aligned} \quad (2.2)$$

we have

$$\begin{aligned} & \text{Var}(Z_{N;t}^{\beta_N, \phi}(\psi)) \\ &= \frac{1}{N^2} \sum_{x_0, x'_0 \in \mathbb{Z}^2} \phi \left(\frac{x_0}{\sqrt{N}} \right) \phi \left(\frac{x'_0}{\sqrt{N}} \right) \sum_{k=1}^{Nt} \sigma_N^{2k} \sum_{0=i_0 < i_1 < \dots < i_k \leq \lfloor Nt \rfloor} \sum_{x_1, \dots, x_k \in \mathbb{Z}^2} \\ & \quad q_{i_0, i_1}(x_0, x_1)^2 \prod_{j=2}^k (q_{i_{j-1}, i_j}(x_{j-1}, x_j)^2) q_{i_k, \lfloor Nt \rfloor}(x_k, y) q_{i_k, \lfloor Nt \rfloor}(x_k, y') \psi \left(\frac{y}{\sqrt{N}} \right) \psi \left(\frac{y'}{\sqrt{N}} \right), \end{aligned}$$

where we set $\prod_{k=2}^1 \dots = 1$ and $q_{i,j}(x,y) = q_{j-i}(y-x)$ for $0 \leq i \leq j$ and $x, y \in \mathbb{Z}^2$.

To see this quantity in detail, we use the following weighted local renewal functions introduced in [CSZ19a] but we change the definition a little bit: For each $N \geq 1$,

$$\begin{aligned} U_N(n, x) &= \sigma_N^4 q_{0,n}(0, x)^2 \\ &+ \sum_{k \geq 1} (\sigma_N^2)^{k+2} \sum_{\substack{0 < n_1 < \dots < n_k < n \\ x_1, \dots, x_k \in \mathbb{Z}^2}} q_{0, n_1}(0, x_1)^2 \left(\prod_{j=2}^k q_{n_{j-1}, n_j}(x_{j-1}, x_j)^2 \right) q_{n_k, n}(x_k, x)^2 \quad n \geq 1 \end{aligned} \quad (2.3)$$

$$U_N(0, x) = \sigma_N^2 \delta_{x,0} = \sigma_N^2 1_{\{x=0\}} \quad (2.4)$$

and

$$U_N(n) = \sum_{x \in \mathbb{Z}^2} U_N(n, x). \quad (2.5)$$

Then,

$$\begin{aligned} \text{Var}(Z_{N;t}^{\beta_N, \phi}(\psi)) &= \frac{1}{N^2} \sum_{x_0, x'_0 \in \mathbb{Z}^2} \phi\left(\frac{x_0}{\sqrt{N}}\right) \phi\left(\frac{x'_0}{\sqrt{N}}\right) q_i(x_0, x) q_i(x'_0, x) \\ &\cdot \sum_{\substack{1 \leq i \leq j \leq \lfloor Nt \rfloor \\ x, y, y', z \in \mathbb{Z}^2}} U_N(j-i, z-x) q_{j, \lfloor Nt \rfloor}(z, y) q_{j, \lfloor Nt \rfloor}(z, y') \psi\left(\frac{y}{\sqrt{N}}\right) \psi\left(\frac{y'}{\sqrt{N}}\right). \end{aligned} \quad (2.6)$$

Thus, we can expect that $U_N(n, x)$ plays a key role in controlling the modulus of continuity of $\{Z_{N;t}^{\beta_N, \phi}(\psi)\}_{t \geq 0}$. We review some known results of U_N and $Z_{N;t}^{\beta_N, \phi}(\psi)$ obtained in [CSZ19a, CSZ19b]. We define

$$f_s(t) = \begin{cases} \frac{st^{s-1}e^{-\gamma s}}{\Gamma(s+1)} & t \in (0, 1] \\ \frac{st^{s-1}e^{-\gamma s}}{\Gamma(s+1)} - st^{s-1} \int_0^{t-1} \frac{f_s(a)}{(1+a)^2} da & t \in (1, \infty) \end{cases}$$

for $s \in (0, \infty)$, and we set

$$\begin{aligned} G_{\vartheta}(t) &:= \int_0^{\infty} e^{\vartheta s} f_s(t) ds \\ G_{\vartheta}(t, x) &:= G_{\vartheta}(t) p_{\frac{t}{2}}(x), \end{aligned}$$

for $t \in (0, \infty)$ and $x \in \mathbb{R}^2$. In particular,

$$G_{\vartheta}(t) = \int_0^{\infty} \frac{e^{(\vartheta-\gamma)s} st^{s-1}}{\Gamma(s+1)} ds \quad \text{for } t \in (0, 1]. \quad (2.7)$$

Theorem 2.1. ([CSZ19a, Theorem 1.4, Theorem 2.3], [CSZ24, Proposition 8.4]) *Suppose $\vartheta \in \mathbb{R}$. Then,*

$$U_N(n) = \frac{\sigma_N^2 \log N}{N} G_{\vartheta}\left(\frac{n}{N}\right) (1 + o(1)), \quad \text{uniformly for } \delta N \leq n \leq TN. \quad (2.8)$$

for $0 < \delta < T < \infty$. Also,

$$U_N(n) \leq C \frac{\sigma_N^2 \log N}{N} G_{\vartheta}\left(\frac{n}{N}\right), \quad 1 \leq n \leq TN \quad (2.9)$$

and

$$\begin{aligned} U_N(n, x) &= \frac{\sigma_N^2 \log N}{N^2} G_{\vartheta}\left(\frac{n}{N}, \frac{x}{\sqrt{N}}\right) (1 + o(1)), \\ &\text{uniformly for } \delta N \leq n \leq N \text{ and } |x| \leq \frac{\sqrt{N}}{\delta}. \end{aligned} \quad (2.10)$$

In this paper, we often omit the subscript N and denote by

$$U_{m,n}(x, y) = U_N(n-m, y-x), U_{m,n} = \sum_{y \in \mathbb{Z}^2} U_{m,n}(x, y)$$

for $0 \leq m \leq n < \infty$ and $x, y \in \mathbb{Z}^2$.

Proposition 2.2. [CSZ19a, Proposition 1.6], [CSZ19b, Proposition 2.3], [CSZ24, Proposition 8.2] For fixed $\vartheta \in \mathbb{R}$,

$$G_\vartheta(t) = \frac{1}{t \left(\log \frac{1}{t}\right)^2} + \frac{2\vartheta}{t \left(\log \frac{1}{t}\right)^3 + O\left(\frac{1}{t\left(\frac{1}{t}\right)^4}\right)}, \quad \text{as } t \rightarrow 0.$$

Also, for $T > 0$, there exists $c_{\vartheta,T} \in (0, \infty)$ such that

$$G_\vartheta(t) \leq \widehat{G}_{\vartheta,T}(t) := \frac{c_{\vartheta,T}}{t \left(\log \frac{e^2 T}{t}\right)^2}, \quad t \in (0, T]. \quad (2.11)$$

In particular, $\widehat{G}_{\vartheta,T}$ is decreasing in $t \in (0, T]$.

Combining (2.9) and (2.11), we obtain that

$$U_N(n) \leq \frac{1}{N} \frac{C_{\vartheta,T}}{\frac{n}{N} \left(\log \frac{e^2 TN}{n}\right)^2} \quad \text{for } 1 \leq n \leq TN. \quad (2.12)$$

The following is a modification of Theorem 1.2 in [CSZ19b] or Theorem 6.1 in [CSZ24].

Theorem 2.3. Let $\vartheta \in \mathbb{R}$. Suppose β_N satisfies (1.8). Then, we have for each $\phi \in C_c(\mathbb{R}^2)$ and $\psi \in C_b(\mathbb{R}^2)$

$$\text{Var}(\mathcal{Z}_t^{\vartheta,\phi}(\psi)) = \lim_{N \rightarrow \infty} \text{Var}(\mathcal{Z}_{N;t}^{\beta_N,\phi}(\psi)) = 4\pi \int_{0 < u < v < t} du dv \int_{\mathbb{R}^2 \times \mathbb{R}^2} dx dy \Phi_u(x)^2 G_\vartheta(v-u, y-x) \Psi_{t-v}(y)^2, \quad (2.13)$$

where we set $\Phi_s(x) = \int_{\mathbb{R}^2} \phi(y) p_s(x-y) dy$ and $\Psi_s(x) = \int_{\mathbb{R}^2} \psi(y) p_s(x-y) dy$ for $s > 0$ and $x \in \mathbb{R}^2$.

The higher moments of $\mathcal{Z}_t^{\vartheta,\phi}(\psi)$ are given explicitly in [GQT21, Theorem 1.1] and [CSZ24, Theorem 9.6]. To write it, we prepare some notations: Let $h \geq 2$ be an integer. For $I = \{i, j\}$ ($1 \leq i < j \leq h$), we define

$$(\mathbb{R}^2)_I^h := \{(\mathbf{x}) = (x_1, \dots, x_h) \in (\mathbb{R}^2)^h : x_i = x_j\}$$

which is identified with $(\mathbb{R}^2)^h$. We denote by $\int \cdots \int_{(\mathbb{R}^2)_I^h} f(\mathbf{x}) d\mathbf{x}_I$ the integral of the integrable function on $(\mathbb{R}^2)_I^h$ with respect to Lebesgue measure.

We define

$$G_{\vartheta,t}^I(\mathbf{x}, \mathbf{y}) := \left(\prod_{\ell \in \{1, \dots, h\} \setminus I} p_t(y_\ell - x_\ell) \right) G_\vartheta(t, y_i - x_i)$$

for $\mathbf{x}, \mathbf{y} \in (\mathbb{R}^2)_I^h, t > 0$, and $I = \{i, j\}$. Also, we define

$$\mathcal{Q}_t^{I,J}(\mathbf{y}, \mathbf{x}) = \prod_{i=1}^h p_t(x_i - y_i) \quad \mathbf{y} \in (\mathbb{R}^2)_I^h, \mathbf{x} \in (\mathbb{R}^2)_J^h,$$

$$\mathcal{Q}_t^{*,J}(\mathbf{y}, \mathbf{x}) = \prod_{i=1}^h p_t(x_i - y_i) \quad \mathbf{y} \in (\mathbb{R}^2)^h, \mathbf{x} \in (\mathbb{R}^2)_J^h,$$

$$\mathcal{Q}_t^{I,*}(\mathbf{y}, \mathbf{x}) = \prod_{i=1}^h p_t(x_i - y_i) \quad \mathbf{y} \in (\mathbb{R}^2)_I^h, \mathbf{x} \in (\mathbb{R}^2)^h$$

for $t > 0$, and I, J with $|I| = |J| = 2$.

Theorem 2.4. Fix $\vartheta \in \mathbb{R}$. Let $h \geq 2$ be an integer. Then, for $\phi_1, \dots, \phi_h \in C_c(\mathbb{R}^2)$, $\psi_1, \dots, \psi_h \in C_b(\mathbb{R}^2)$, and $t \geq 0$

$$E \left[\prod_{i=1}^h \mathbf{Z}_t^{\phi_i, \vartheta}(\psi_i) \right] = \int \cdots \int_{(\mathbb{R}^2)^h \times (\mathbb{R}^2)^h} \phi^{\otimes h}(\mathbf{z}) \mathbf{K}_t^{(h)}(\mathbf{z}, \mathbf{w}) \psi^{\otimes h}(\mathbf{w}) d\mathbf{z} d\mathbf{w}, \quad (2.14)$$

where we write $\mathbf{x} = (x_1, \dots, x_h) \in (\mathbb{R}^2)^h$ and $\phi^{\otimes h}(\mathbf{x}) := \prod_{i=1}^h \phi(x_i)$, and

$$\begin{aligned} & \mathcal{K}_t^{(h)}(\mathbf{z}, \mathbf{w}) := \\ & 1 + \sum_{m=1}^{\infty} (4\pi)^m \sum_{\substack{I_1, \dots, I_m \subset \{1, \dots, h\} \\ |I_\ell| = 2, I_\ell \neq I_{\ell+1}}} \int \cdots \int_{0 < a_1 < b_1 < \cdots < a_m < b_m < t} d\mathbf{a} d\mathbf{b} \int \cdots \int_{\substack{\mathbf{x}^{(\ell)}, \mathbf{y}^{(\ell)} \in (\mathbb{R}^2)^{I_\ell} \\ \text{for } \ell = 1, \dots, m}} \prod_{\ell=1}^m d\mathbf{x}_{I_\ell} d\mathbf{y}_{I_\ell} \\ & \mathcal{Q}_{a_1}^{*, I_1}(\mathbf{z}, \mathbf{x}^{(1)}) G_{\vartheta, b_1 - a_1}^{I_1}(\mathbf{x}^{(1)}, \mathbf{y}^{(1)}) \left(\prod_{\ell=2}^m \mathcal{Q}_{a_\ell - b_{\ell-1}}^{I_{\ell-1}, I_\ell}(\mathbf{y}^{(\ell-1)}, \mathbf{x}^{(\ell)}) G_{\vartheta, b_\ell - a_\ell}^{I_\ell}(\mathbf{x}^{(\ell)}, \mathbf{y}^{(\ell)}) \right) \mathcal{Q}_{t - b_m}^{I_m, *}(\mathbf{y}^{(m)}, \mathbf{w}). \end{aligned}$$

3 Proofs of Theorem 1.9 and Theorem 1.11

In this section, we will give the proofs of Theorem 1.9 and 1.11.

3.1 $Z_{N; \cdot}^\phi$ as measure valued process

We fix $\phi \in C_c^+(\mathbb{R}^2)$.

Hereafter, we may assume that $\{\omega_{n,x}\}_{n \in \mathbb{Z}, x \in \mathbb{Z}^2}$ i.i.d. random variables with

$$\mathbb{P}(\omega_{n,x} = 1) = \mathbb{P}(\omega_{n,x} = -1) = \frac{1}{2}. \quad (3.1)$$

Indeed, the convergence to $\{\mathcal{Z}_t^\vartheta(\phi, \psi)\}$ is independent of the choice of $\{\omega_{n,x}\}$ satisfying (1.1). In this case, it is easy to see that $\left\{ \xi_{n,x}^\beta := e^{\beta \omega_{n,x} - \lambda(\beta)} - 1 \right\}_{(n,x) \in \mathbb{N} \times \mathbb{Z}^2}$ are i.i.d. random variables with $\mathbb{P}(\xi_{n,x}^\beta = \sigma_\beta) = \mathbb{P}(\xi_{n,x}^\beta = -\sigma_\beta) = \frac{1}{2}$, where we set $\sigma_\beta = \tanh(\beta)$. In particular, we have

$$\mathbb{E} \left[\left(\xi_{i,x}^{\beta_N} \right)^{2m-1} \right] = 0, \quad \mathbb{E} \left[\left(\xi_{i,x}^{\beta_N} \right)^{2m} \right] = \sigma_{\beta_N}^m \quad (3.2)$$

for $m \in \mathbb{N}$.

(3.2) will help us estimating the chaos expansions of moments a bit (see Section 4), but it is not crucial.

We fix β_N as in (1.8). For simplicity of the notation, we write

$$Z_t^{N, \phi}(dy) := Z_{N; \lfloor Nt \rfloor}^{\beta_N}(\phi, dy), \quad Z_t^{N, \phi}(\psi) := Z_{N; \lfloor Nt \rfloor}^{\beta_N}(\phi, \psi).$$

Then, $Z_t^{N, \phi}(dy)$ can be regarded as a measure-valued process with the initial value

$$Z_0^{N, \phi}(dy) = \frac{1}{N} \sum_{y \in \mathbb{Z}^2} \phi \left(\frac{y'}{\sqrt{N}} \right) \delta_{\frac{y'}{\sqrt{N}}}(dy)$$

and

$$\begin{aligned} Z_t^{N,\phi}(\mathrm{d}y) &:= \frac{1}{N} \sum_{y' \in \mathbb{Z}^2} E \left[\phi \left(\frac{S_{\lfloor Nt \rfloor}}{\sqrt{N}} \right) \exp \left(\sum_{i=1}^{\lfloor Nt \rfloor} (\beta_N \omega_{i,S_{\lfloor Nt \rfloor - i}} - \lambda(\beta_N)) \right) \middle| S_0 = y' \right] \delta_{\frac{y}{\sqrt{N}}}(\mathrm{d}y'). \end{aligned}$$

We set

$$f_N(x) = f \left(\frac{x}{\sqrt{N}} \right)$$

for $f \in C(\mathbb{R}^2)$ and

$$\bar{Z}_{N,n}^\phi(y) = E \left[\phi_N(S_n) \exp \left(\sum_{i=1}^{n-1} (\beta_N \omega_{i,n-i} - \lambda(\beta_N)) \right) \middle| S_0 = y \right].$$

Now, we look at $\{Z_t^{N,\phi}(\phi, \psi)\}_{t \geq 0}$ as a discrete semimartingale as in the construction of super-Brownian motion from critical branching Brownian motion [Per02, II. 4].

Let $\{\mathcal{F}_n\}$ be a filtration generated by $\{\omega_{i,x} : x \in \mathbb{Z}^2, 0 \leq i \leq n\}$ and we set $\bar{\mathcal{F}}_t^N := \mathcal{F}_{Nt}$ for $t = \frac{k}{N}$ ($k \in \mathbb{N}_0$). Then, we have

$$\begin{aligned} & Z_{\frac{k+1}{N}}^{N,\phi}(\psi) - Z_{\frac{k}{N}}^{N,\phi}(\psi) \\ &= \frac{1}{N} \sum_{x \in \mathbb{Z}^2} \phi_N(x) \\ & \times \left(\sum_{\tilde{y} \in \mathbb{Z}^2} E_x \left[e_{k+1, S_{k+1}} \prod_{i=1}^k e_{i, S_i} 1_{S_{k+1} = \tilde{y}} \right] \psi_N(\tilde{y}) - \sum_{y \in \mathbb{Z}^2} E_x \left[\prod_{i=1}^k e_{i, S_i} 1_{S_k = y} \right] \psi_N(y) \right) \\ &= \frac{1}{N} \sum_{x \in \mathbb{Z}^2} \phi_N(x) \sum_{\tilde{y} \in \mathbb{Z}^2} E_x \left[\prod_{i=1}^k e_{i, S_i} : S_{k+1} = \tilde{y} \right] \psi_N(\tilde{y}) (e_{k+1, \tilde{y}} - 1) \\ &+ \frac{1}{N} \sum_{x \in \mathbb{Z}^2} \phi_N(x) \sum_{y \in \mathbb{Z}^2} Z_{0,k}^{\beta_N}(x, y) \left(\sum_{\tilde{y} \in \mathbb{Z}^2} q_1(y, \tilde{y}) \psi_N(\tilde{y}) - \psi_N(y) \right). \end{aligned}$$

where we set $e_{n,x} = e^{\beta_N \omega_{n,x} - \lambda(\beta_N)} = \xi_{n,x}^{\beta_N} + 1$ for $n \geq 0$ and $x \in \mathbb{Z}^2$.

We define a discrete Laplacian Δ_N by

$$\Delta_N \psi_N(x) = N \left(\sum_{y \in \mathbb{Z}^2} q_1(x, y) \psi_N(y) - \psi_N(x) \right)$$

and we write

$$\Delta M_k^{N,\phi}(\psi) = \frac{1}{N} \sum_{\tilde{y} \in \mathbb{Z}^2} \bar{Z}_{N;k+1}^\phi(\tilde{y}) \psi_N(\tilde{y}) (e_{k+1, \tilde{y}} - 1).$$

Then, we have

$$Z_{\frac{k+1}{N}}^{N,\phi}(\psi) - Z_{\frac{k}{N}}^{N,\phi}(\psi) = \frac{1}{N} Z_{\frac{k}{N}}^{N,\phi}(\Delta_N \psi) + \Delta M_k^{N,\phi}(\psi)$$

and hence

$$\begin{aligned} Z_{\frac{n}{N}}^{N,\phi}(\psi) &= Z_0^{N,\phi}(\psi) + \frac{1}{N} \sum_{k=0}^{n-1} Z_{\frac{k}{N}}^{N,\phi}(\Delta_N \psi) + \sum_{k=0}^{n-1} \Delta M_k^{N,\phi}(\psi) \\ &= Z_0^{N,\phi}(\psi) + \int_0^{\frac{n}{N}} Z_t^{N,\phi}(\Delta_N \psi) dt + \sum_{k=0}^{n-1} \Delta M_k^{N,\phi}(\psi). \end{aligned} \quad (3.3)$$

We remark that

$$M_n^{N,\phi}(\psi) := \sum_{k=0}^{n-1} \Delta M_k^{N,\phi}(\psi)$$

is an \mathcal{F}_n -martingale with $M_0^{N,\phi}(\psi) = 0$ and the quadratic variation

$$\langle M^{N,\phi}(\psi) \rangle_n = \frac{\sigma_N^2}{N^2} \sum_{k=1}^n \sum_{y \in \mathbb{Z}^2} \bar{Z}_{N;k}^\phi(y)^2 \psi_N(y)^2.$$

In particular,

$$\langle M^{N,\phi}(\psi) \rangle_{\lfloor Nt \rfloor} = \frac{\sigma_N^2}{N^2} \sum_{k=1}^{\lfloor Nt \rfloor} \sum_{y \in \mathbb{Z}^2} \bar{Z}_{N;k}^\phi(y)^2 \psi_N(y)^2 =: \int_0^{\frac{\lfloor Nt \rfloor}{N}} ds \frac{\sigma_N^2}{N} \sum_{y \in \mathbb{Z}^2} \bar{Z}_{N;\lfloor Ns \rfloor}^\phi(y)^2 \psi_N(y)^2. \quad (3.4)$$

Remark 3.1. *By the same argument as above, we can see that*

$$\mathbb{E} \left[Z_{N,t}^{\beta_N}(\phi, \psi) \middle| \mathcal{F}_{\lfloor Nt \rfloor - 1} \right] = \bar{Z}_{N,t}^{\beta_N}(\phi, \psi)$$

and hence

$$\mathbb{E} \left[\left(Z_{N,t}^{\beta_N}(\phi, \psi) - \bar{Z}_{N,t}^{\beta_N}(\phi, \psi) \right)^2 \right] = \mathbb{E} \left[\frac{\sigma_N^2}{N^2} \sum_{y \in \mathbb{Z}^2} \bar{Z}_{N,k}^\phi(y)^2 \psi_N(y)^2 \right] \rightarrow 0$$

for each $t \geq 0$.

3.2 Continuity of $\mathcal{Z}^{\vartheta,\phi}$

We provide some important lemmas to prove Theorem 1.9 which are given in [Per02].

Definition 3.2. *Let E be a Polish space. We say that the collection of processes $\{X^\alpha : \alpha \in I\}$ with paths in $D(E)$ is C -relatively compact in $D(E)$ if and only if it is relatively compact in $D(E)$ and all weak limit points are a.s. continuous.*

Definition 3.3. *Let E be a Polish space. We say that $D \subset C_b(E)$ is separating if and only if for any $\mu, \nu \in M_F(E)$, $\mu(\phi) = \nu(\phi)$ for all $\phi \in D$ implies $\mu = \nu$.*

Then, Theorem 1.9 follows when we can verify the conditions (1) and (2) in the following theorem.

Theorem 3.4. [Per02, Theorem II.4.1] *Let E be a Polish space and $D \subset C_b(E)$ be a separating class in $C_b(E)$ containing 1. A sequence of càdlàg $M_F(E)$ -valued processes $\{X^N\}$ is C -relatively compact in $D(M_F(E))$ if and only if the following conditions hold:*

(1) For all $\varepsilon > 0$, $T > 0$, there exists a compact set $K = K_{\varepsilon, T}$ in E such that

$$\sup_N P \left(\sup_{t \leq T} X_t^N (K_{\varepsilon, T}^c) > \varepsilon \right) < \varepsilon.$$

(2) For all $\phi \in D$, $\{X^N(\phi)\}$ is C -relatively compact in $D(\mathbb{R})$.

If in addition, D is closed under addition, then the above equivalence holds when ordinary relative compactness in D replaces C -relative compactness in both the hypothesis and conclusion.

Coming back to $\{Z_t^{N, \phi}\}$, we take $D = C_b^2(\mathbb{R}^2)$ as the separating set in the proof of Theorem 1.9.

Proof of condition (1) in Theorem 3.4 for $\{Z_t^{N, \phi}\}$. Fix $\varepsilon > 0$ and $T > 0$. Then, by the invariance principle, we can take a compact set $K \in \mathbb{R}^2$ such that

$$\sup_{N \geq 1} \frac{1}{N} \sum_{x \in \mathbb{Z}^2} \phi_N(x) P_x \left(\frac{S_n}{\sqrt{N}} \in K^c \text{ for some } n \leq [NT] \right) < \varepsilon^2.$$

We regard $Z_t^{N, \phi}$ as a measure on the path space of random walk by

$$Z_t^{N, \phi}(\mathrm{d}S) = \frac{1}{N} \sum_{x \in \mathbb{Z}^2} \phi_N(x) E_x \left[\prod_{i=1}^{[Nt]} e_{i, S_i} : \mathrm{d}S \right].$$

Then, it is clear that

$$Z_t^{N, \phi}(K^c) \leq Z_t^{N, \phi} \left(\frac{S_n}{\sqrt{N}} \in K^c \text{ for some } n \leq [NT] \right)$$

and the right-hand side is an \mathcal{F}_n -martingale. Therefore, we have

$$\begin{aligned} \mathbb{P} \left(\sup_{t \leq T} Z_t^{N, \phi}(K^c) > \varepsilon \right) &\leq \mathbb{P} \left(\sup_{t \leq T} Z_t^{N, \phi} \left(\frac{S_n}{\sqrt{N}} \in K^c \text{ for some } n \leq [NT] \right) > \varepsilon \right) \\ &\leq \frac{1}{\varepsilon} \mathbb{E} \left[Z_t^{N, \phi} \left(\frac{S_n}{\sqrt{N}} \in K^c \text{ for some } n \leq [NT] \right) \right] \\ &= \frac{1}{\varepsilon} \frac{1}{N} \sum_{x \in \mathbb{Z}^2} \phi_N(x) P_x \left(\frac{S_n}{\sqrt{N}} \in K^c \text{ for some } n \leq NT \right) < \varepsilon, \end{aligned} \quad (3.5)$$

where we have used Doob's maximal inequality in the second inequality. \square

Next, we will verify (2) in Theorem 3.4 for $\{Z_t^{N, \phi}\}$. To see the C -relative compactness in $D([0, T], \mathbb{R})$ of $\{Z_t^{N, \phi}(\psi)\}_{t \geq 0}$, it is enough to see the following two conditions

(C-1) the C -relative compactness of $\left\{ \int_0^{[Nt]} Z_s^{N, \phi} (\Delta_N \psi) \mathrm{d}s \right\}$ in $D([0, T], \mathbb{R})$, and

(C-2) the C -relatively compactness of $\left\{ M_{[Nt]}^{N, \phi}(\psi) \right\}$ in $D([0, T], \mathbb{R})$.

One can show (C-1) by the following lemma.

Lemma 3.5. For any $t \geq 0$ and $\phi \in C_c^+(\mathbb{R}^2)$,

$$\sup_{N \geq 1} \mathbb{E} \left[\sup_{u \leq t} Z_u^{N, \phi}(1)^2 \right] < \infty.$$

Proof of (C-1). Fix $T > 0$. Then, we have for any $\varepsilon > 0$ and $\delta > 0$

$$\begin{aligned} \mathbb{P} \left(\sup_{\substack{|t-s| < \delta \\ 0 \leq s \leq t \leq T}} \left| \int_{\frac{\lfloor Ns \rfloor}{N}}^{\frac{\lfloor Nt \rfloor}{N}} Z_u^{N,\phi} (\Delta_N \psi) du \right| > \varepsilon \right) &\leq \mathbb{P} \left(\sup_{\substack{|t-s| < \delta \\ 0 \leq s \leq t \leq T}} \left| \int_{\frac{\lfloor Ns \rfloor}{N}}^{\frac{\lfloor Nt \rfloor}{N}} Z_u^{N,\phi} (1) du \right| \|\Delta_N \psi\|_\infty > \varepsilon \right) \\ &\leq \mathbb{P} \left(\delta \sup_{u \leq T} Z_u^{N,\phi} (1) \|\Delta_N \psi\|_\infty > \varepsilon \right), \end{aligned} \quad (3.6)$$

where we define $\|f\|_\infty = \sup_{x \in \mathbb{R}^2} |f(x)|$ for $C_b(\mathbb{R}^2)$. Thus, Lemma 3.5 implies that for any $\varepsilon > 0$, there exists $\delta > 0$ such that the right-hand side of (3.6) is smaller than ε . \square

Proof of Lemma 3.5. It is easy to see that for each $N \geq 1$, $\left\{ Z_{\frac{k}{N}}^{N,\phi} (1) \right\}_{k \geq 0}$ is an \mathcal{F}_n -martingale so Doob's maximal inequality yields that

$$\mathbb{E} \left[\sup_{u \leq t} Z_u^{N,\phi} (1)^2 \right] \leq 4 \mathbb{E} \left[Z_t^{N,\phi} (1)^2 \right] \quad t \geq 0.$$

Thus, the proof is completed since we know from [CSZ19b, Theorem 1.5], or from (2.1) and Theorem 2.3 that

$$\mathbb{E} \left[Z_t^{N,\phi} (1)^2 \right] \rightarrow \left(\int \phi(x) dx \right)^2 + 4\pi \int_{\mathbb{R}^2} \int_{0 < u < v < t} \Phi_u(x)^2 G_\vartheta(v-u) dudvdx.$$

\square

Thus, the proof of Theorem 1.9 has been completed once one can verify (C-2). To prove (C-2), we apply the general theory for C -tightness of martingales given in [Per02, Lemma II.4.5.] or the conclusion of [JS87, Theorem VI.4.13, Theorem VI.3.26]

Lemma 3.6. Let $\{M_t^N, \mathcal{F}_t^N\}_{t = \frac{k}{N}, k \in \mathbb{N}_0}$ be martingales with $M_0^N = 0$. Let

$$\langle M^N \rangle_t := \sum_{0 \leq s < t} E \left[\left(M_{s+\frac{1}{N}}^N - M_s^N \right)^2 \middle| \mathcal{F}_s^N \right],$$

and extend M^N and $\langle M^N \rangle$ to $[0, \infty)$ as right-continuous step functions.

Then, the followings hold:

(1) Suppose the following two conditions:

(C-2-i) $\left\{ \langle M^N \rangle_t : t \geq 0 : N \geq 1 \right\}$ is C -relatively compact in $D(\mathbb{R})$.

(C-2-ii)

$$\sup_{0 \leq t \leq T} \left| M_{t+\frac{1}{N}}^N - M_t^N \right| \rightarrow 0 \quad \text{in probability for all } T \geq 1. \quad (3.7)$$

Then, M^N is C -relatively compact in $D(\mathbb{R})$.

(2) If, in addition,

$$\left\{ (M_s^N)^2 + \langle M^N \rangle_s^2 : N \geq 1 \right\} \quad \text{is uniformly integrable for all } s \in [0, T], \quad (3.8)$$

then $M^{N_k} \Rightarrow \mathcal{M}$. implies that \mathcal{M} is a continuous L^2 -martingale with respect to the filtration $\mathcal{F}_t^{\mathcal{M}}$ and that

$$(M^{N_k}, \langle M^{N_k} \rangle) \Rightarrow (\mathcal{M}, \langle \mathcal{M} \rangle)$$

Once we verify (C-2-i) and (C-2-ii) in Lemma 3.6 for our martingales $M^{N,\phi}(\psi)$, (C-2) follows.

3.2.1 Proof of (C-2-i) for $M^{N,\phi}(\psi)$

To prove (C-2-i) in Lemma 3.6 for $M^{N,\phi}$, we adapt the standard method.

Lemma 3.7. *For each $T \geq 0$, $p > 1$, $\phi \in C_c^+(\mathbb{R}^2)$, and $\psi \in C_b(\mathbb{R}^2)$, there exists $C > 0$ such that*

$$\mathbb{E} \left[\left(\langle M^{N,\phi}(\psi) \rangle_{[Nt]} - \langle M^{N,\phi}(\psi) \rangle_{[Ns]} \right)^2 \right] \leq C |t-s|^{\frac{3}{2}-\frac{1}{p}} \quad 0 \leq s \leq t \leq T. \quad (3.9)$$

Then, applying the Garsia-Rodemich-Rumsey inequality [FV10, Theorem A.1], (C-2-i) follows.

Remark 3.8. *Lemma 3.7 gives an upper bound $|t-s|^{\frac{3}{2}-o(1)}$, and it is not probably optimal. Actually, we can see from [Tsa24, Lemma 4.3] that it is of order $|t-s|^{2-o(1)}$ for the continuous setting.*

The proof of Lemma 3.7 will be given in Section 5.

Here is an easy estimate of the difference between the values of $\langle M^{N,\phi}(\psi) \rangle_{Nt}$. For $0 < s < t < T$,

$$\begin{aligned} & \frac{1}{4\pi} \lim_{N \rightarrow \infty} E[\langle M^{N,\phi}(\psi) \rangle_{Nt} - \langle M^{N,\phi}(\psi) \rangle_{Ns}] \\ & \leq \int_{\mathbb{R}^2} \int_{0 < u < v < t} \Phi_u(x)^2 G_\vartheta(v-u) du dv dx - \int_{\mathbb{R}^2} \int_{0 < u < v < s} \Phi_u(x)^2 G_\vartheta(v-u) du dv dx \\ & \leq \int_{\mathbb{R}^2} \int_{0 < u < s < v < t} \Phi_u(x)^2 \widehat{G}_{\vartheta,T}(v-u) du dv dx + \int_{\mathbb{R}^2} \int_{s < u < v < t} \Phi_u(x)^2 \widehat{G}_{\vartheta,T}(v-u) du dv dx \\ & \leq C_{\phi,\vartheta,T,1} \frac{t-s}{\log \frac{e^2 T}{s}} + C_{\phi,\vartheta,T,2} \frac{t-s}{\log \frac{e^2 T}{t-s}}, \end{aligned} \quad (3.10)$$

where we have used $\widehat{G}_{\vartheta,T}(v-u) \leq \widehat{G}_{\vartheta,T}(s-u)$ for $0 < u < s < v < T$ in the first term, and $\widehat{G}_{\vartheta,T}(t) = \frac{d}{dt} \frac{c_{\vartheta,T}}{\log(\frac{2T}{t})}$ for $t \in (0, T]$ and

$$\int_s^t \frac{1}{\log\left(\frac{e^2 T}{t-u}\right)} du \sim \frac{t-s}{e^2 T} \frac{1}{\log\left(\frac{e^2 T}{t-s}\right)} \quad \text{as } t-s \searrow 0$$

in the second term.

3.2.2 Proof of (C-2-ii) for $M^{N,\phi}(\psi)$

To prove (C-2-ii) for $M^{N,\phi}(\psi)$, we first remark that

$$\sup_{0 \leq k \leq [Nt]-1} \left| \Delta M_{N,k}^\phi(\psi) \right|^3 \leq \sum_{k=0}^{[Nt]-1} \left| \Delta M_{N,k}^\phi(\psi) \right|^3 \quad (3.11)$$

To prove (3.7), we use the following Burkholder type inequality [Per02, (PSF) in p.152] and [Bur73, Theorem 21.1].

Lemma 3.9. *Let $f : [0, \infty) \rightarrow [0, \infty)$ be a continuous increasing function with $f(0) = 0$ such that there exists $c_0 \in (0, \infty)$ such that $f(2\lambda) \leq c_0 f(\lambda)$ for any $\lambda \geq 0$.*

Let $\{M_n\}_{n \geq 0}$ be an \mathcal{F}_n -martingale. We set $M_n^ = \sup_{k \leq n} |M_k|$,*

$$\begin{aligned} \langle M \rangle_n & := \sum_{k=1}^n E[(M_k - M_{k-1})^2 | \mathcal{F}_{k-1}] + E[M_0^2] \\ d_n^* & := \max_{1 \leq k \leq n} |M_k - M_{k-1}|. \end{aligned}$$

Then, we have

$$E[f(M_n^*)] \leq c \left(E \left[f \left(\langle M \rangle_n^{\frac{1}{2}} \right) \right] + E[f(d_n^*)] \right).$$

Proof of (3.7) for $M_n^{N,\phi}(\psi)$. Conditioned on \mathcal{F}_{n-1} , $\Delta M_{N,n}^\phi(\psi)$ is a sum of mean 0 independent random variables $\sum_{y \in \mathbb{Z}^2} \tilde{M}_y^{(N,n)}(\phi, \psi)$, where

$$\tilde{M}_y^{(N,n)}(\phi, \psi) := \frac{1}{N} \bar{Z}_{N,\frac{n}{N}}^\phi(y) \psi_N(y) \xi_{n,y}^{\beta_N}.$$

Let Λ_n be the subset of \mathbb{Z}^2 such that $\Lambda_n \subset \Lambda_{n+1}$, $|\Lambda_n| = n$ for $n \geq 0$ and $\bigcup_{n \geq 1} \Lambda_n = \mathbb{Z}^2$. We define the filtration $\mathcal{F}_{n,\Lambda_k} = \mathcal{F}_{n-1} \vee \sigma[\omega_{n,x}, x \in \Lambda_k]$. Then,

$$\tilde{M}_0^{(N,n)}(\phi, \psi) := 0, \quad \tilde{M}_k^{(N,n)}(\phi, \psi) := \sum_{y \in \Lambda_k} \tilde{M}_y^{(N,n)}(\phi, \psi) \quad (k \geq 1)$$

is $\mathcal{F}_{n,\Lambda_k}$ -martingale, and $\lim_{k \rightarrow \infty} \tilde{M}_k^{(N,n)}(\phi, \psi) = \Delta M_n^{N,\phi}(\psi)$ since the summation is finite. Thus, we can apply Lemma 3.9 with $f(\lambda) = \lambda^3$ ($c(f) = 2^3$) to $\{\tilde{M}_y^{(N,n)}(\phi, \psi)\}_{k \geq 0}$. Also, we can see that

$$\left\langle \tilde{M}^{(N,n)}(\phi, \psi) \right\rangle_k = \sum_{y \in \Lambda_k} \frac{\sigma_N^2}{N^2} \bar{Z}_{N,k}^\phi(y)^2, \quad \left| \tilde{M}_y^{(N,n)}(\phi, \psi) \right| = \frac{\sigma_N}{N} \bar{Z}_{N,\frac{n}{N}}^\phi(y) |\psi(y)|$$

by (3.1). Thus, we obtain

$$\begin{aligned} E \left[\left| \Delta M_{N,n}^\phi(\psi) \right|^3 \right] &\leq c(f) E \left[\left(\frac{\sigma_N^2}{N^2} \sum_{y \in \mathbb{Z}^2} \bar{Z}_{N,\frac{n}{N}}^\phi(y)^2 \psi \left(\frac{y}{\sqrt{N}} \right)^2 \right)^{\frac{3}{2}} \right] \\ &\quad + c(f) E \left[\sum_{y \in \mathbb{Z}^2} \left(\frac{\sigma_N^2}{N^2} \bar{Z}_{N,\frac{n}{N}}^\phi(y)^2 \psi \left(\frac{y}{\sqrt{N}} \right)^2 \right)^{\frac{3}{2}} \right] \\ &\leq c(f) E \left[\sum_{y \in \mathbb{Z}^2} \frac{2\sigma_N^3}{N^3} \bar{Z}_{N,\frac{n}{N}}^\phi(y)^3 \right] \end{aligned}$$

where we have used $(d_n^*)^3 \leq \sum_{1 \leq k \leq n} d_k^3$ in the first inequality.

We can see from [CSZ19b, Lemma 6.1 (6.4)] that for any $\varepsilon > 0$ and $t \geq 0$, there exists $C > 0$ such that

$$\sum_{1 \leq n \leq Nt} \sum_{y \in \mathbb{Z}^2} E \left[\bar{Z}_{N,\frac{n}{N}}^\phi(y)^3 \right] \leq CN^{\frac{5}{2} + \varepsilon}. \quad (3.12)$$

Thus, combining this with (3.11), (3.7) follows. □

Remark 3.10. For (3.12), we see that

$$\begin{aligned} E \left[\bar{Z}_{N,\frac{n}{N}}^\phi(y)^3 \right] &= E \left[\left(\bar{Z}_{N,n}^\phi(y) - E \left[\bar{Z}_{N,\frac{n}{N}}^\phi(y) \right] + E \left[\bar{Z}_{N,\frac{n}{N}}^\phi(y) \right] \right)^3 \right] \\ &= E \left[\left(\bar{Z}_{N,n}^\phi(y) - E \left[\bar{Z}_{N,\frac{n}{N}}^\phi(y) \right] \right)^3 \right] + 3E \left[\left(\bar{Z}_{N,\frac{n}{N}}^\phi(y) - E \left[\bar{Z}_{N,\frac{n}{N}}^\phi(y) \right] \right)^2 \right] E \left[\bar{Z}_{N,\frac{n}{N}}^\phi(y) \right] \\ &\quad + E \left[\bar{Z}_{N,\frac{n}{N}}^\phi(y) \right]^3. \end{aligned}$$

Our setting of $\{\omega_{n,x}\}$, in particular (3.2), allows us to use [CSZ19b, Lemma 6.1 (6.4)] for an upper bound of the first term. More precisely, the expectation was divided into two terms, non-triple intersections and triple intersections, and the latter one vanishes under (3.2). The second term can be easily estimated by (2.6) and Lemma 2.1.

Thus, (1) in Lemma 3.6 follows when we verify Lemma 3.7.

3.2.3 Proof of (2) for $M^{N,\phi}(\psi)$

Proof of (2) in Lemma 3.6. We use Lemma 3.9 again. Taking $f(\lambda) = \lambda^3$,

$$E \left[\sup_{0 \leq s \leq T} \left| M_{N;N_s}^\phi(\psi) \right|^3 \right] \leq c(f) E \left[\left\langle M_{N;\cdot}^\phi(\psi) \right\rangle_{NT}^{\frac{3}{2}} \right] + c(f) E \left[\sup_{1 \leq k \leq NT-1} \left| \Delta M_{N;k}^\phi(\psi) \right|^3 \right].$$

The second term is already estimated in the proof of (C-2-ii). Also, the expectation in the first term is dominated by

$$c(f) \|\psi(x)\|_\infty^3 E \left[\left(\sum_{1 \leq k \leq NT} \left| \Delta M_{N;k}^\phi(1) \right| \right)^{\frac{3}{2}} \right]$$

from [Bur73, Lemma 16.1]. Also, combining Theorem 15.1 in [Bur73] and Doob's L^p -inequality, this is dominated by

$$CE \left[\left| M_{N;NT}^\psi(1) \right|^3 \right] \leq CE \left[Z_{N;T}^{|\phi|}(1)^3 \right] + CZ_{N;0}^{|\phi|}(1)^3,$$

where we remark that if $\psi \equiv 1$, then $M_{N;N_s}^\phi(1) = Z_{N;s}^\phi(1) - Z_{N;0}^\phi(1)$. We know that the right-hand side is bounded from [CSZ19b, Theorem 1.4]. \square

3.3 Martingale $\mathcal{M}_t^{\vartheta,\phi}(\psi)$

Suppose that $\{M_{Nt}^{N,\phi}(\psi)\}$ satisfy all conditions in Lemma 3.6 so Theorem 1.9 follows. Theorem 1.4 implies that $Z^{N,\phi} \Rightarrow \mathcal{Z}^{\vartheta,\phi}$ in $D(M_F(\mathbb{R}^2))$.

By the Skorokhod representation theorem, we may assume that $Z^{N_k,\phi}$ and $\mathcal{Z}^{\vartheta,\phi}$ are defined on a common probability space and $Z^{N_k,\phi} \rightarrow \mathcal{Z}^{\vartheta,\phi}$ in $D(M_F(\mathbb{R}^2))$ a.s.

Then, all terms in the righthand side of (3.3) (and hence $\{M_{N\cdot}^{N,\phi}(\psi)\}$) converge almost surely. Indeed, $Z_0^{N,\phi}(\psi) \rightarrow \int \phi(x)\psi(x)dx$, and Taylor's theorem implies that for each $x \in \mathbb{Z}^2, y \in \Sigma$ and $N \in \mathbb{N}$, there exists $c = c_{N,x,y}$ such that

$$\psi_N(x+y) - \psi_N(x) = \psi'_N(x) \frac{y}{\sqrt{N}} + \frac{1}{2N} (y_1, y_2) \text{Hess}(\psi) \left(\frac{x+cy}{\sqrt{N}} \right) \begin{pmatrix} y_1 \\ y_2 \end{pmatrix},$$

where $\text{Hess}(\psi)$ is the Hesse matrix of ψ .

Thus, we have

$$\sum_{y \in \Sigma} q_1(y) (\psi_N(x+y) - \psi_N(x)) = \frac{1}{2} \Delta \psi(x) + o(1)$$

uniformly in any compact set $K \subset \mathbb{R}^2$. Hence, we can see from (3.5) that

$$\int_0^{\frac{|N_t|}{N}} \mathcal{Z}_s^{N_k,\phi}(\Delta_N \phi) ds \rightarrow \frac{1}{2} \int_0^t \mathcal{Z}_s^{\vartheta,\phi}(\Delta \psi) ds, \quad \text{a.s.}$$

Thus, we found that $M_N^{N,\phi}(\psi) \Rightarrow \mathcal{M}^{\vartheta,\phi}(\psi)$ in $D([0, \infty), \mathbb{R})$ and hence, Lemma 3.6 implies that

$$\left(M_N^{N,\phi}(\psi), \langle M_N^{N,\phi}(\psi) \rangle_{N_t} \right) \Rightarrow \left(\mathcal{M}^{\vartheta,\phi}(\psi), \langle \mathcal{M}^{\vartheta,\phi}(\psi) \rangle \right), \quad (3.13)$$

and that $\mathcal{M}^{\vartheta,\phi}(\psi)$ is a continuous $\mathcal{F}_t^{\mathcal{M}^{\vartheta,\phi}(\psi)}$ -martingale (not $\mathcal{F}_t^{\mathcal{M}^{\vartheta,\phi}(\psi)}$ -martingale).

Therefore, the proof of Theorem 1.11 is completed when we proved the following two lemmas.

Lemma 3.11. *For any $\vartheta \in \mathbb{R}$, $\phi \in C_c^+(\mathbb{R}^2)$, and $\psi \in C_b^2(\mathbb{R}^2)$, $\mathcal{M}_t^{\vartheta,\phi}(\psi)$ is a continuous $\mathcal{F}_t^{\mathcal{Z}^{\vartheta,\phi}}$ -martingale.*

Lemma 3.12. *For any $\vartheta \in \mathbb{R}$, $\phi \in C_c^+(\mathbb{R}^2)$, and $\psi \in C_b^2(\mathbb{R}^2)$,*

$$\langle \mathcal{M}^{\theta,\phi}(\psi) \rangle_t = \lim_{\varepsilon \rightarrow 0} \frac{4\pi}{-\log \varepsilon} \int_0^t \int_{\mathbb{R}^2} \mathcal{Z}_s^{\vartheta,\phi} (p_\varepsilon(\cdot - z))^2 \psi(z)^2 dz ds \quad \text{uniformly on } [0, T] \text{ in probability}$$

for any $T \geq 0$.

Also, we give a corollary on the quadratic variation.

Corollary 3.13. *For any $\vartheta \in \mathbb{R}$, $\phi \in C_c^+(\mathbb{R}^2)$, $\psi \in C_b^2(\mathbb{R}^2)$, and $t > 0$*

$$E[\langle \mathcal{M}^{\theta,\phi}(\psi) \rangle_t] = 4\pi \int_{0 < u < v < t} du dv \int_{\mathbb{R}^2} dx \int_{\mathbb{R}^2} dy \Phi_u^2(x) G_\vartheta(v - u, y - x) \psi(y)^2.$$

Proof. Since we proved that $\langle M_N^{N,\phi}(\psi) \rangle_{Nt}$ is uniform integrable, we have

$$E[\langle \mathcal{M}^{\theta,\phi}(\psi) \rangle_t] = \lim_{N \rightarrow \infty} E[\langle M_N^{N,\phi}(\psi) \rangle_{Nt}].$$

Then, we can use the same argument in the proof of Theorem 1.2 in [CSZ19b]. □

3.3.1 Proof of Lemma 3.11

Since $C_b^2(\mathbb{R}^2)$ is a separating set for $M_F(\mathbb{R}^2)$,

$$\mathcal{F}_n = \mathcal{F}_{\frac{n}{N}}^{\mathcal{Z}^{N,\phi}},$$

and $\mathcal{F}_t^{\mathcal{Z}^{N,\phi}} = \mathcal{F}_{\frac{n}{N}}^{\mathcal{Z}^{N,\phi}}$ for $\frac{n}{N} \leq t < \frac{n+1}{N}$.

Let $0 \leq s_1 \leq \dots \leq s_n \leq s < t$, $n \geq 1$ and F be a bounded continuous function on $M_F(\mathbb{R}^2)^n$. Then, we have

$$E \left[\left(M_{[Nt]}^{N,\phi}(\psi) - M_{[Ns]}^{N,\phi}(\psi) \right) F \left(Z_{s_1}^{N,\phi}, \dots, Z_{s_n}^{N,\phi} \right) \right] = 0$$

The uniform integrability of $M^{N,\phi}(\psi)^2$ and $\langle M^{N,\phi}(\psi) \rangle$ implies

$$E \left[\left(\mathcal{M}_t^{\vartheta,\phi}(\psi) - \mathcal{M}_s^{\vartheta,\phi}(\psi) \right) F \left(\mathcal{Z}_{s_1}^{\vartheta,\phi}, \dots, \mathcal{Z}_{s_n}^{\vartheta,\phi} \right) \right] = 0.$$

Thus, we completed the proof of Lemma 3.11. □

3.3.2 Proof of Lemma 3.12

Since we know that for each $t \geq 0$ and $\varepsilon > 0$

$$\int_0^t \int_{\mathbb{R}^2} \mathcal{Z}_s^{\vartheta, \phi} (p_\varepsilon(\cdot - z))^2 \psi(z)^2 dz ds = \lim_{N \rightarrow \infty} \int_0^{\lfloor \frac{Nt}{N} \rfloor} \int_{\mathbb{R}^2} \bar{\mathcal{Z}}_s^{N, \phi} (p_\varepsilon(\cdot - z))^2 \psi(z)^2 dz ds \quad \text{a.s.},$$

Fatou's lemma implies that

$$\begin{aligned} & E \left[\left(\frac{4\pi}{-\log \varepsilon} \int_0^t \int_{\mathbb{R}^2} \mathcal{Z}_s^{\vartheta, \phi} (p_\varepsilon(\cdot - z))^2 \psi(z)^2 dz ds - \langle \mathcal{M}^{\vartheta, \phi}(\psi) \rangle_t \right)^2 \right] \\ & \leq \lim_{N \rightarrow \infty} E \left[\left(\int_0^{\lfloor \frac{Nt}{N} \rfloor} \left(\frac{4\pi}{-\log \varepsilon} \int_{\mathbb{R}^2} \bar{\mathcal{Z}}_s^{N, \phi} (p_\varepsilon(\cdot - z))^2 \psi(z)^2 dz - \frac{\sigma_N^2}{N} \sum_{y \in \mathbb{Z}^2} \bar{\mathcal{Z}}_{N; \lfloor Ns \rfloor}^\phi (y)^2 \psi_N(y)^2 \right) ds \right)^2 \right]. \end{aligned}$$

We will prove the following lemma.

Lemma 3.14. *We have*

$$\lim_{\varepsilon \rightarrow 0} \lim_{N \rightarrow \infty} E \left[\left(\int_0^{\lfloor \frac{Nt}{N} \rfloor} \left(\frac{4\pi}{-\log \varepsilon} \int_{\mathbb{R}^2} \bar{\mathcal{Z}}_s^{N, \phi} (p_\varepsilon(\cdot - z))^2 \psi(z)^2 dz - \frac{\sigma_N^2}{N} \sum_{y \in \mathbb{Z}^2} \bar{\mathcal{Z}}_{N; \lfloor Ns \rfloor}^\phi (y)^2 \psi_N(y)^2 \right) ds \right)^2 \right] = 0 \quad (3.14)$$

for $t \geq 0$, $\phi \in C_c^+(\mathbb{R}^2)$, and $\psi \in C_b^2(\mathbb{R}^2)$.

Proof of Lemma 3.12. Let $D \subset [0, T]$ be a dense subset. Then, we can see from Lemma 3.14 that for any sequence $\{\varepsilon_n\}_{n \geq 1}$ with $\varepsilon_n \rightarrow 0$, there exists a subsequence $\{\varepsilon_{n_k}\}$ such that

$$\frac{4\pi}{-\log \varepsilon_{n_k}} \int_0^t \int_{\mathbb{R}^2} \mathcal{Z}_s^{\vartheta, \phi} (p_{\varepsilon_{n_k}}(\cdot - z))^2 \psi(z)^2 dz ds \rightarrow \langle \mathcal{M}^{\vartheta, \phi}(\psi) \rangle_t$$

for $t \in D$ a.s. Since both processes are continuous and non-decreasing, this is uniform convergence on $[0, T]$ a.s., and hence, Lemma 3.12 follows. \square

The proof of Lemma is postponed to Section 6.

We will verify the convergence of expectations of quadratic variation as an exercise and give the proof of existence of extension in Theorem 1.18: Theorem 2.3 and Lemma 3.6 imply that

$$\begin{aligned} & E \left[\langle \mathcal{M}^{\vartheta, \phi}(\psi) \rangle_t \right] \\ & = \lim_{N \rightarrow \infty} E \left[\langle M^{N, \phi}(\psi) \rangle_{Nt} \right] = 4\pi \int_{0 < u < v < t} dudv \int_{\mathbb{R}^2 \times \mathbb{R}^2} dx dy \Phi_u(x)^2 G_\vartheta(v - u, y - x) \psi(y)^2. \end{aligned} \quad (3.15)$$

Also,

$$\begin{aligned} & \lim_{N \rightarrow \infty} E \left[\int_0^{\lfloor \frac{Nt}{N} \rfloor} \frac{4\pi}{-\log \varepsilon} \int_{\mathbb{R}^2} \bar{\mathcal{Z}}_s^{N, \phi} (p_\varepsilon(\cdot - z))^2 \psi(z)^2 dz \right] \\ & = \int_0^t \frac{4\pi}{-\log \varepsilon} \int_{\mathbb{R}^2} \left(\int_{\mathbb{R}^2} dx \phi(x) p_\varepsilon(x - y) dx \right)^2 \psi(y)^2 dy ds \\ & + \int_0^t ds \frac{16\pi^2}{-\log \varepsilon} \int_{0 < u < v < s} dudv \int_{\mathbb{R}^2 \times \mathbb{R}^2} dy dz \Phi_u(x)^2 G_\vartheta(v - u, y - x) p_{s-v+\varepsilon}(z - y)^2 \psi(z)^2, \end{aligned}$$

where we have used that $\int_{\mathbb{R}^2} p_{v-u}(y-w)p_\varepsilon(w-z)dw = p_{v-u+\varepsilon}(y-z)$. Since $p_t(x)^2 = \frac{1}{4\pi t} p_{\frac{t}{2}}(x)$, we have

$$\begin{aligned} & \lim_{\varepsilon \rightarrow 0} \lim_{N \rightarrow \infty} E \left[\int_0^{\frac{|Nr|}{N}} \frac{4\pi}{-\log \varepsilon} \int_{\mathbb{R}^2} \bar{Z}_{N;s}^\phi (p_\varepsilon(\cdot - z))^2 \psi(z)^2 dz \right] \\ &= \lim_{\varepsilon \rightarrow 0} \int_{0 < u < v < t} dudv \int_v^t ds \frac{16\pi^2}{-\log \varepsilon} \int_{\mathbb{R}^2} dz \int_{\mathbb{R}^2} dy \Phi_u(x)^2 G_\partial(v-u, y-x) \frac{1}{4\pi(s-v+\varepsilon)} p_{\frac{s-v+\varepsilon}{2}}(z-x) \psi(z)^2 \\ &= 4\pi \int_{0 < u < v < t} dudv \int_{\mathbb{R}^2} dz \int_{\mathbb{R}^2} dy \Phi_u(x)^2 G_\partial(v-u, y-x) \psi(z)^2, \end{aligned}$$

where we have used the following lemma and the dominated convergence theorem in the last equation.

Lemma 3.15. *Let $\psi \in \mathcal{B}_b(\mathbb{R}^2)$ and $T > 0$. Then, for each $0 < t < T$, there exists $C_{T,\psi}$ such that*

$$\sup_{0 < \varepsilon < \frac{1}{2}} \left| \frac{-1}{\log \varepsilon} \int_{\mathbb{R}^2} dz \int_0^t ds \frac{1}{s+\varepsilon} p_{\frac{s+\varepsilon}{2}}(z-x) \psi(z) \right| \leq C_{T,\psi} \quad (3.16)$$

for each $x \in \mathbb{R}^2$ and

$$\lim_{\varepsilon \rightarrow 0} \frac{-1}{\log \varepsilon} \int_{\mathbb{R}^2} dz \int_0^t ds \frac{1}{s+\varepsilon} p_{\frac{s+\varepsilon}{2}}(z-x) \psi(z) = \psi(x) \quad (3.17)$$

for a.e. x for $0 < t \leq T$.

Proof. It is easy to see that

$$\begin{aligned} & \left| \frac{-1}{\log \varepsilon} \int_{\mathbb{R}^2} dz \int_0^t ds \frac{1}{s+\varepsilon} p_{\frac{s+\varepsilon}{2}}(z-x) \psi(z) \right| \\ & \leq \|\psi\|_\infty \frac{-1}{\log \varepsilon} [\log(t+\varepsilon) - \log(\varepsilon)] \leq C_T \|\psi\|_\infty \end{aligned}$$

for some $C_T > 0$.

Also,

$$\begin{aligned} & \int_{\mathbb{R}^2} dz \int_0^t ds \frac{1}{s+\varepsilon} p_{\frac{s+\varepsilon}{2}}(z-x) \psi(z) \\ &= \int_{\mathbb{R}^2} dz \psi(z) \frac{1}{\pi |z-x|^2} \left(\exp\left(-\frac{|z-x|^2}{t+\varepsilon}\right) - \exp\left(-\frac{|z-x|^2}{\varepsilon}\right) \right) \\ &= \int_0^\infty dr \int_{[0,2\pi]} d\theta \psi(x+r(\cos \theta, \sin \theta)) \frac{1}{\pi r} \left(\exp\left(-\frac{r^2}{t+\varepsilon}\right) - \exp\left(-\frac{r^2}{\varepsilon}\right) \right). \end{aligned}$$

Therefore, we obtain from l'Hôpital's rule that

$$\begin{aligned} & \lim_{\varepsilon \rightarrow 0} \frac{1}{-\log \varepsilon} \int_{\mathbb{R}^2} dz \int_0^t ds \frac{1}{s+\varepsilon} p_{\frac{s+\varepsilon}{2}}(z-x) \psi(z) \\ &= -\lim_{\varepsilon \rightarrow 0} \varepsilon \int_0^\infty dr \int_{[0,2\pi]} d\theta \psi(x+r(\cos \theta, \sin \theta)) \frac{1}{\pi r} \frac{d}{d\varepsilon} \left(\exp\left(-\frac{r^2}{t+\varepsilon}\right) - \exp\left(-\frac{r^2}{\varepsilon}\right) \right) \end{aligned}$$

if the limit in the righthand side exists for each $t > 0$.

It is easy to see that it should be equal to

$$\lim_{\varepsilon \rightarrow 0} \int_0^\infty dr \int_{[0,2\pi]} d\theta \psi(x+r(\cos \theta, \sin \theta)) \frac{r}{\pi \varepsilon} \exp\left(-\frac{r^2}{\varepsilon}\right) = \lim_{\varepsilon \rightarrow 0} \int_{\mathbb{R}^2} p_\varepsilon(z-x) \psi(z) dz = \psi(x)$$

a.e. x by Lebesgue's differential theorem. Therefore, (3.17) holds for $\psi \in \mathcal{B}_b(\mathbb{R}^2)$. \square

Proof of existence of extension in Theorem 1.18. Let ψ be a bounded Borel function. Then, Lusin's theorem and Tietze extension theorem implies that there exists a sequence $\{\hat{\psi}_n\}$ in $C_b(\mathbb{R}^2)$ such that

$$\hat{\psi}_n(x) \rightarrow \psi(x) \quad \text{a.e. } x \text{ and } \|\hat{\psi}_n\|_\infty = \|\psi\|_\infty \text{ for all } n \geq 1.$$

(See [Tao11, Remark 1.3.30].) Also, we know any bounded continuous function f can be approximated by $p_\varepsilon * f$ uniformly on any compact sets.

Hence, we can choose ε_n such that

$$p_{\varepsilon_n} * \hat{\psi}_n(x) \rightarrow \psi(x) \quad \text{a.e. } x \text{ and } \|p_{\varepsilon_n} * \hat{\psi}_n\|_\infty \leq \|\psi\|_\infty \text{ for all } n \geq 1. \quad (3.18)$$

For each $\psi \in \mathcal{B}_b(\mathbb{R}^2)$, we set $\psi_n(x) = p_{\varepsilon_n} * \hat{\psi}_n(x)$ satisfying (3.18). Then, we can see from the Burkholder-Davis-Gundy inequality and (3.15) that for $n, m \geq 1$, and $t \geq 0$

$$\begin{aligned} E \left[\sup_{0 \leq s \leq t} (\mathcal{M}_s^{\vartheta, \phi}(\psi_n) - \mathcal{M}_s^{\vartheta, \phi}(\psi_m))^2 \right] &\leq CE \left[\langle \mathcal{M}^{\vartheta, \phi}(\psi_n - \psi_m) \rangle_t \right] \\ &= 4\pi C \int_{0 < u < v < t} dudv \int_{\mathbb{R}^2 \times \mathbb{R}^2} dx dy \Phi_u(x)^2 G_{\vartheta}(v - u, y - x) (\psi_n(y) - \psi_m(y))^2 \end{aligned} \quad (3.19)$$

for some constant $C > 0$. Thus, the dominated convergence theorem implies that $\{\mathcal{M}^{\vartheta, \phi}(\psi_n)\}_{n \geq 1}$ is an L^2 -Cauchy sequence and C -tight and hence the limit exists and we denote it by $\mathcal{M}^{\vartheta, \phi}(\psi)$. \square

The proof for the representation of the quadratic variations of $\mathcal{M}_t^{\vartheta, \phi}(\psi)$ will be given in Section 6. However, the above proof implies the following convergence of the quadratic variation.

Corollary 3.16. *Let $\vartheta \in \mathbb{R}$, $\phi \in C_c^2(\mathbb{R}^2)$. Then, for each $\psi \in \mathcal{B}_b(\mathbb{R}^2)$ and $t > 0$,*

$$\lim_{n \rightarrow \infty} E \left[\sup_{0 \leq s \leq t} |\langle \mathcal{M}^{\vartheta, \phi}(\psi) \rangle_s - \langle \mathcal{M}^{\vartheta, \phi}(\psi_n) \rangle_s| \right] = 0,$$

where $\{\psi_n\}$ is a sequence in $C_b^2(\mathbb{R}^2)$ such that $\psi_n(x)$ converges to $\psi(x)$ for any $x \in \mathbb{R}^2$ and $\|\psi_n\|_\infty \leq \|\psi\|_\infty$.

Proof. From (1.11), we can see that for $n, m \geq 1$

$$|\langle \mathcal{M}^{\vartheta, \phi}(\psi_n) \rangle_s - \langle \mathcal{M}^{\vartheta, \phi}(\psi_m) \rangle_s| \leq \langle \mathcal{M}^{\vartheta, \phi}(\psi_n + \psi_m) \rangle_t^{\frac{1}{2}} \langle \mathcal{M}^{\vartheta, \phi}(\psi_n - \psi_m) \rangle_t^{\frac{1}{2}}.$$

for $0 \leq s \leq t$ a.s. Then,

$$E \left[\sup_{0 \leq s \leq t} |\langle \mathcal{M}^{\vartheta, \phi}(\psi_n) \rangle_s - \langle \mathcal{M}^{\vartheta, \phi}(\psi_m) \rangle_s| \right] \leq E \left[\langle \mathcal{M}^{\vartheta, \phi}(\psi_n + \psi_m) \rangle_t \right]^{\frac{1}{2}} E \left[\langle \mathcal{M}^{\vartheta, \phi}(\psi_n - \psi_m) \rangle_t \right]^{\frac{1}{2}}. \quad (3.20)$$

The same argument in the proof of Theorem 1.18 implies the righthand side converges to zero. Thus, $\{\langle \mathcal{M}^{\vartheta, \phi}(\psi_n) \rangle_s\}_{n \geq 1}$ is a L^2 -Cauchy sequence and C -tight. So, the limit denoted by $\langle \mathcal{M}^{\vartheta, \phi}(\psi) \rangle_s$ is the quadratic variation of $\mathcal{M}^{\vartheta, \phi}(\psi)$. The statement follows by taking limit $m \rightarrow \infty$ in (3.20). \square

Remark 3.17. *Combining Theorem 2.3 and Doob's inequality, we can find that the sequence of process $\{\mathcal{Z}^{\vartheta, \phi}(\psi_n)\}$ weakly converges to a process $\mathcal{Z}^{\vartheta, \phi}(\psi)$.*

The Skorkhod representation theorem allows us to $\mathcal{Z}_t^{\vartheta, \phi}(\psi)$ has the same form (1.10).

Remark 3.18. We remark that every term in expectation in (3.9) and (3.14) can be described via partition functions from (3.4). More precisely, we need look at

$$\frac{\sigma_N^4}{N^2} \int_{[s,t]^2} dudv \sum_{y^1, y^2} E \left[\bar{Z}_{N;u}^\phi(y^1)^2 \bar{Z}_{N;v}^\phi(y^2)^2 \right] \quad (3.21)$$

for Lemma 3.7, and the linear combination of

$$\frac{\sigma_N^4}{N^2} \int_{[0,t]^2} dudv \sum_{y^1, y^2} E \left[\bar{Z}_{N;u}^\phi(y^1)^2 \bar{Z}_{N;v}^\phi(y^2)^2 \right] \psi_N(y^1)^2 \psi_N(y^2)^2 \quad (3.22)$$

$$\begin{aligned} & \frac{\sigma_N^2}{N^3} \int_{[0,t]^2} dudv \sum_{y^1, y^2, y^3} E \left[\bar{Z}_{N;u}^\phi(y^1) \bar{Z}_{N;u}^\phi(y^2) \bar{Z}_{N;v}^\phi(y^3)^2 \right] \\ & \quad \times \int_{\mathbb{R}^2} dz p_\varepsilon \left(z - \frac{y^1}{\sqrt{N}} \right) p_\varepsilon \left(z - \frac{y^2}{\sqrt{N}} \right) \psi(z)^2 \psi_N(y^3)^2 \end{aligned} \quad (3.23)$$

$$\begin{aligned} & \frac{1}{N^4} \int_{[0,t]^2} dudv \sum_{y^1, y^2, y^3, y^4} E \left[\bar{Z}_{N;u}^\phi(y^1) \bar{Z}_{N;u}^\phi(y^2) \bar{Z}_{N;v}^\phi(y^3) \bar{Z}_{N;v}^\phi(y^4) \right] \\ & \quad \times \int_{(\mathbb{R}^2)^2} dz_1 dz_2 p_\varepsilon \left(z_1 - \frac{y^1}{\sqrt{N}} \right) p_\varepsilon \left(z_1 - \frac{y^2}{\sqrt{N}} \right) p_\varepsilon \left(z_2 - \frac{y^3}{\sqrt{N}} \right) p_\varepsilon \left(z_2 - \frac{y^4}{\sqrt{N}} \right) \psi(z_1)^2 \psi_N(z_2)^2. \end{aligned} \quad (3.24)$$

for Lemma 3.14.

Thus, we will entirely focused on computing of moments of partition functions in the following sections.

4 Moments of partition functions

From now, we will omit the parameter N in the notations if it is clear from the context.

4.1 Chaos expansion and moments

Let \mathbb{T} be a countable set and $\{\omega_t\}_{t \in \mathbb{T}}$ be independent Bernoulli distributed random variables with $P(\omega_t = 1) = P(\omega_t = -1) = \frac{1}{2}$.

For a finite subset $F \subset \mathbb{T}$, we define

$$\omega_F = \prod_{t \in F} \omega_t$$

and the polynomial chaos $P(\omega)$ is defined as a linear combination of $\{\omega_F : F \subset \mathbb{T} \text{ is finite}\}$, i.e.

$$P(\omega) = \sum_{F \subset \mathbb{T}: \text{finite}} a_F \omega_F$$

for some $\{a_F\}_{F \subset \mathbb{T}: \text{finite}}$ such that $a_F = 0$ except for some $F_1, \dots, F_{m_F} \subset \mathbb{T}$. We set $\omega_\emptyset = 1$ for convention.

Then, it is easy to see that $\mathbb{E}[\omega_{F_1} \dots \omega_{F_k}] = 1$ if any $t \in F_1 \cup \dots \cup F_k$ belongs to exactly even number of subsets $F_{k_1}, \dots, F_{k_{2l_p}}$, and is equal to 0 otherwise.

Now, we will give the polynomial chaos expansion of partition functions: Take $\mathbb{T} = \mathbb{Z}^3$. For $t > 0$, $y \in \mathbb{Z}^3$,

$\phi \in C_c(\mathbb{R}^2)$,

$$\begin{aligned} \bar{Z}_{N;t}^\phi(y) &= q_{Nt}(\phi_N, y) + \sum_{k=1}^{\infty} \sum_{\substack{1 \leq n_1 < \dots < n_k < Nt \\ x_1, \dots, x_k \in \mathbb{Z}^2}} \xi_{n_1, x_1}^\beta q_{n_1}(\phi_N, x_1) \left(\prod_{i=2}^k \xi_{n_i, x_i}^\beta q_{n_{i-1}, n_i}(x_{i-1}, x_i) \right) q_{n_k, Nt}(x_k, y) \\ &= \sum_{|A|=0}^{\infty} \sum_{\mathbf{A} \subset \mathbb{Z}^3} a_{\mathbf{A}}^{(t)}(\phi, y) \xi_{\mathbf{A}}^\beta, \end{aligned}$$

where for $\mathbf{A} = (A_1, \dots, A_{|\mathbf{A}|})$ with $A_i = (n_i, x_i) \in \mathbb{Z}^3$ ($1 \leq n_1 < \dots < n_{|\mathbf{A}|} < Nt$), we define

$$\begin{aligned} q_n(\phi_N, y) &= \sum_{x \in \mathbb{Z}^2} \phi_N(x) q_n(x, y) \quad \text{for } n \geq 0, y \in \mathbb{Z}^2 \\ \xi_{\mathbf{A}}^\beta &= \prod_{(n,x) \in \mathbf{A}} \xi_{n,x}^\beta \end{aligned}$$

and

$$a_{\mathbf{A}}^{(t)}(\phi, y) = \begin{cases} q_{Nt}(\phi_N, y) & \text{if } \mathbf{A} = \emptyset \\ q_{n_1}(\phi_N, x_1) \left(\prod_{i=2}^{|\mathbf{A}|} q(A_{i-1}, A_i) \right) q(n_{|\mathbf{A}|}, n_{|\mathbf{A}|+1}) & \text{if } \mathbf{A} = (A_1, \dots, A_{|\mathbf{A}|}) \\ 0 & \text{otherwise.} \end{cases}$$

Here, we define $\prod_{i=2}^1(\dots) = 1$ for our convention and we set

$$\begin{aligned} A_{|\mathbf{A}|+1} &= (Nt, y) \\ q(A_{i-1}, A_i) &= q_{n_i - n_{i-1}}(x_{i-1}, x_i). \end{aligned}$$

For our convenience, we introduce a set of finite subsets of indices

$$\begin{aligned} \mathbf{F}(T) &= \mathbf{F}_T \\ &:= \left\{ \mathbf{A} \subset \mathbb{Z}^3 : \mathbf{A} = (A_1, \dots, A_{|\mathbf{A}|}), \quad A_i = (n_i, x_i) \in \mathbb{Z}^3, \quad \right. \\ &\quad \left. 1 \leq n_1 < \dots < n_{|\mathbf{A}|} < NT \right\} \end{aligned}$$

for $T \geq 0$, where we set $|\mathbf{A}| = 0$ for $\mathbf{A} = \emptyset$. We define $\mathbf{F} = \bigcup_{T \geq 0} \mathbf{F}_T$.

The above argument gives that

$$\begin{aligned} &\mathbb{E} \left[\bar{Z}_{N;s}^\phi(y^a) \bar{Z}_{N;s}^\phi(y^b) \bar{Z}_{N;t}^\phi(y^c) \bar{Z}_{N;t}^\phi(y^d) \right] \\ &= \sum_{\mathbf{A}, \mathbf{B} \in \mathbf{F}(s)} \sum_{\mathbf{C}, \mathbf{D} \in \mathbf{F}(t)} a_{\mathbf{A}}^{(s)}(\phi, y^a) a_{\mathbf{B}}^{(s)}(\phi, y^b) a_{\mathbf{C}}^{(t)}(\phi, y^c) a_{\mathbf{D}}^{(t)}(\phi, y^d) \mathbb{E} \left[\xi_{\mathbf{A}}^{\beta_N} \xi_{\mathbf{B}}^{\beta_N} \xi_{\mathbf{C}}^{\beta_N} \xi_{\mathbf{D}}^{\beta_N} \right]. \end{aligned} \quad (4.1)$$

Now, we focus on the finite subsets $\mathbf{A}, \mathbf{B}, \mathbf{C}, \mathbf{D} \in \mathbf{F}$ that contribute to the summation in the right-hand side.

We say $\mathbf{A}, \mathbf{B}, \mathbf{C}, \mathbf{D}$ have an *odd intersection* if one of the following holds:

- (1) there exists an (n, x) such that (n, x) belongs to three of $\mathbf{A}, \mathbf{B}, \mathbf{C}, \mathbf{D}$ but does not belong to the other one.
- (2) there exists an (n, x) such that (n, x) belongs to one of $\mathbf{A}, \mathbf{B}, \mathbf{C}, \mathbf{D}$ but does not belong to the others.

Also, we say $\mathbf{A}, \mathbf{B}, \mathbf{C}, \mathbf{D}$ have *even intersections* if $\mathbf{A}, \mathbf{B}, \mathbf{C}, \mathbf{D}$ don't have an odd intersection. We have from (3.2)

$$\mathbb{E} \left[\xi_{\mathbf{A}}^{\beta_N} \xi_{\mathbf{B}}^{\beta_N} \xi_{\mathbf{C}}^{\beta_N} \xi_{\mathbf{D}}^{\beta_N} \right] = \begin{cases} \sigma_N^{|\mathbf{A}|+|\mathbf{B}|+|\mathbf{C}|+|\mathbf{D}|} & \text{if } \mathbf{A}, \mathbf{B}, \mathbf{C}, \mathbf{D} : \text{even intersection} \\ 0 & \text{if } \mathbf{A}, \mathbf{B}, \mathbf{C}, \mathbf{D} : \text{even intersection} \end{cases}$$

Thus, $\mathbf{A}, \mathbf{B}, \mathbf{C}, \mathbf{D}$ that have even intersections contribute to the summation of $\mathbf{A}, \mathbf{B}, \mathbf{C}, \mathbf{D}$ in (4.1).

The above argument yields that

$$(3.21) = \frac{\sigma_N^4}{N^4} \sum_{\substack{N_s \leq N_u \leq N_t \\ N_s \leq N_v \leq N_t}} \sum_{y^1, y^2} \sum_{\substack{\mathbf{A}, \mathbf{B} \in \mathbf{F}(u) \\ \mathbf{C}, \mathbf{D} \in \mathbf{F}(v) \\ \text{even intersections}}} \sigma_N^{|\mathbf{A}|+\dots+|\mathbf{D}|} a_{\mathbf{A}}^{(u)}(\phi, y^1) a_{\mathbf{B}}^{(u)}(\phi, y^1) a_{\mathbf{C}}^{(v)}(\phi, y^2) a_{\mathbf{D}}^{(v)}(\phi, y^2) \quad (4.2)$$

We can write (3.22)-(3.24) in similar ways, but we omit giving them here.

Hereafter, we may assume that $\mathbf{A}, \mathbf{B}, \mathbf{C}, \mathbf{D}$ have even intersection.

4.2 Pairings of intersections

We write elements of $\mathbf{A} \cup \mathbf{B} \cup \mathbf{C} \cup \mathbf{D}$ in time ordered as

$$\mathbf{A} \cup \mathbf{B} \cup \mathbf{C} \cup \mathbf{D} = \{ \{ (n_i, x_i) \}_{i=1, \dots, k} : 1 \leq n_1 \leq \dots \leq n_k \}, \quad (4.3)$$

where for the case $n_i = n_{i+1}$, we may choose $x_i \neq x_{i+1}$ such that $(n_i, x_i) \in \mathbf{A}$ since if $n_i = n_{i+1}$ for some i , then (n_i, x_i) belong to two of $\mathbf{A}, \mathbf{B}, \mathbf{C}, \mathbf{D}$ and (n_{i+1}, x_{i+1}) belongs to the other two). Also, we define by

$$\mathbf{A} \cup \mathbf{B} \cup \mathbf{C} \cup \mathbf{D}|_{\mathbb{N}} = \{ 1 \leq m_1 < m_2 < \dots < m_l : \{n_1, \dots, n_k\} = \{m_1, \dots, m_l\} \}$$

the sequence of intersection times.

Definition 4.1. Suppose $\mathbf{A}, \mathbf{B}, \mathbf{C}, \mathbf{D} \in \mathbf{F}$ with (4.3). If $\mathbf{A}, \mathbf{B}, \mathbf{C}, \mathbf{D}$ have even intersections and $\mathbf{A} \cup \mathbf{B} \cup \mathbf{C} \cup \mathbf{D} \neq \emptyset$, for each $(n_i, x_i) \in \mathbf{A} \cup \mathbf{B} \cup \mathbf{C} \cup \mathbf{D}$, one of the following three cases occurs:

(P1) $(n_i \neq n_j \text{ for } j \neq i)$

(P1-i) (n_i, x_i) belongs to two of $\mathbf{A}, \mathbf{B}, \mathbf{C}, \mathbf{D}$ but not to the other two. Moreover, $(n_i, y) \notin \mathbf{A} \cup \mathbf{B} \cup \mathbf{C} \cup \mathbf{D}$ for any $y \neq x$.

(P1-ii) $(n_i, x_i) \in \mathbf{A} \cap \mathbf{B} \cap \mathbf{C} \cap \mathbf{D}$.

(P2) $(n_i = n_j = n \text{ for } i \neq j) \mid |j - i| = 1$ and (n, x) belongs to two of $\mathbf{A}, \mathbf{B}, \mathbf{C}, \mathbf{D}$ and (n, y) belongs to the other two.

Thus, when $\mathbf{A} \cup \mathbf{B} \cup \mathbf{C} \cup \mathbf{D}$ has even intersections, each $n_i \in \mathbf{A} \cup \mathbf{B} \cup \mathbf{C} \cup \mathbf{D}|_{\mathbb{N}}$ has an associated pair(s) of indices, denoted by p_i , $EF \in \{AB, AC, AD, BC, BD, CD\} (\leftrightarrow (\text{P1}))$, $ABCD (\leftrightarrow (\text{P1-ii}))$, $[EF][GH] (\leftrightarrow (\text{P2}))$, where $\{E, F, G, H\} = \{A, B, C, D\}$.

We denote by $\mathcal{P}_1, \mathcal{P}_2$ the set of pairs with type (P1), with type (P2), respectively and $\mathcal{P}_* := \{ABCD\}$.

We set $\mathcal{P} = \mathcal{P}_1 \cup \mathcal{P}_2 \cup \mathcal{P}_*$. Then, we define the associated map ι which maps $\mathbf{A}, \mathbf{B}, \mathbf{C}, \mathbf{D}$ to a finite \mathcal{P} -sequence if $\mathbf{A}, \mathbf{B}, \mathbf{C}, \mathbf{D}$ have even intersection and $\mathbf{A} \cup \mathbf{B} \cup \mathbf{C} \cup \mathbf{D} \neq \emptyset$:

$$\iota(\mathbf{A}, \mathbf{B}, \mathbf{C}, \mathbf{D}) = (p_1, \dots, p_l) =: \mathbf{p}. \quad (4.4)$$

Definition 4.2. We say $p = EF, q = GH \in \mathcal{P}_1$ are a couple if $\{E, F, G, H\} = \{A, B, C, D\}$, i.e. each of (AB, CD) , (AC, BD) , and (AD, BC) is a couple.

We denote by \mathbf{P}_f the set of finite sequences of \mathcal{P} . Then, (4.2) is rewritten by

$$\frac{\sigma_N^4}{N^4} \sum_{\substack{Ns \leq Nu \leq Nt \\ Ns \leq Nv \leq Nt}} \sum_{y^1, y^2} \sum_{\mathbf{p} \in \mathbf{P}_f} \sum_{\substack{\mathbf{A}, \mathbf{B} \in \mathbf{F}(u) \\ \mathbf{C}, \mathbf{D} \in \mathbf{F}(v) \\ \text{even intersections} \\ \iota(\mathbf{A}, \mathbf{B}, \mathbf{C}, \mathbf{D}) = \mathbf{p}}} \sigma_N^{|\mathbf{A}| + \dots + |\mathbf{D}|} a_{\mathbf{A}}^{(u)}(\phi, y^1) a_{\mathbf{B}}^{(u)}(\phi, y^1) a_{\mathbf{C}}^{(v)}(\phi, y^2) a_{\mathbf{D}}^{(v)}(\phi, y^2) \quad (4.5)$$

Next, we will see that the contributions to (4.2) from \mathcal{P}_2 and \mathcal{P}_* can be identified with the contribution from \mathcal{P}_1 .

For fixed $0 \leq n < Nt$, we consider the contributions from \mathcal{P}_2 and \mathcal{P}_* to the summation in spatial variables at n .

The contribution from \mathcal{P}_2 at n to (4.2) has the form of

$$\begin{aligned} & \sum_{\substack{A_a, B_b, C_c, D_d \\ A_{a+2}, B_{b+2}, C_{c+2}, D_{d+2}}} Q(A_a, B_b, C_c, D_d) R(A_{a+2}, B_{b+2}, C_{c+2}, D_{d+2}) \\ & \cdot \sum_{x \neq y} \sigma_N^4 [q(A_a, (n, x)) q(B_b, (n, x)) q(C_c, (n, y)) q(D_d, (n, y))] \\ & \cdot [q((n, x), A_{a+2}) q((n, x), B_{b+2}) q((n, y), C_{c+2}) q((n, y), D_{d+2})]. \end{aligned} \quad (4.6)$$

Also, we can see from (3.2) that the contribution from \mathcal{P}_* at n to (4.2) has the form that replaces $x \neq y$ by $x = y$ in the summation of (4.6).

Thus, we can identify the contribution from \mathcal{P}_* at n to (4.2) with the one from $[AB][CD] \in \mathcal{P}_2$. This is one-to-one correspondence.

Hence, we may consider that the summations in (4.5) of \mathbf{p} are taken over the finite sequence in $\mathcal{P}_1 \cup \mathcal{P}_2$.

By a similar way, we can see that the contributions from $[A^\dagger][*\$] \in \mathcal{P}_2$ are identified with the one from $A^\dagger \in \mathcal{P}_1$. This is one-to-one correspondence.

We write by \mathbf{j} the map from $\mathbf{A}, \mathbf{B}, \mathbf{C}, \mathbf{D}$ to $\mathcal{P}_f = \{\text{finite sequence of } AB, AC, AD, BC, BD, CD\}$ deduced from the above correspondence. We denote the length of $\mathbf{p} \in \mathcal{P}_f$ by $|\mathbf{p}|$.

Then, (4.5) can be rewritten by

$$\frac{\sigma_N^4}{N^4} \sum_{\substack{Ns \leq Nu \leq Nt \\ Ns \leq Nv \leq Nt}} \sum_{y^1, y^2} \sum_{\mathbf{p} \in \mathcal{P}_f} \sum_{\substack{\mathbf{A}, \mathbf{B} \in \mathbf{F}(u) \\ \mathbf{C}, \mathbf{D} \in \mathbf{F}(v) \\ \text{even intersections} \\ \mathbf{j}(\mathbf{A}, \mathbf{B}, \mathbf{C}, \mathbf{D}) = \mathbf{p}}} \sigma_N^{2|\mathbf{p}|} a_{\mathbf{A}}^{(u)}(\phi, y^1) a_{\mathbf{B}}^{(u)}(\phi, y^1) a_{\mathbf{C}}^{(v)}(\phi, y^2) a_{\mathbf{D}}^{(v)}(\phi, y^2) \quad (4.7)$$

For $\phi \geq 0$, we can see that

$$\begin{aligned} & \frac{\sigma_N^4}{N^4} \sum_{\substack{Ns \leq Nu \leq Nt \\ Ns \leq Nv \leq Nt}} \sum_{y^1, y^2} \sum_{\mathbf{p} \in \mathcal{P}_f} \sum_{\substack{\mathbf{A}, \mathbf{B} \in \mathbf{F}(u) \\ \mathbf{C}, \mathbf{D} \in \mathbf{F}(v) \\ \text{even intersections} \\ \mathbf{j}(\mathbf{A}, \mathbf{B}, \mathbf{C}, \mathbf{D}) = \mathbf{p}}} \sigma_N^{2|\mathbf{p}|} a_{\mathbf{A}}^{(u)}(\phi, y^1) a_{\mathbf{B}}^{(u)}(\phi, y^1) a_{\mathbf{C}}^{(v)}(\phi, y^2) a_{\mathbf{D}}^{(v)}(\phi, y^2) \\ & \leq \frac{\sigma_N^4}{N^4} \sum_{\substack{Ns \leq Nu \leq Nt \\ Ns \leq Nv \leq Nt}} \sum_{y^1, y^2} \sum_{\mathbf{p} \in \mathcal{P}_f} \sum_{x_1, \dots, x_{|\mathbf{p}|} \in \mathbb{Z}^2} \sum_{(n_1, \dots, n_{|\mathbf{p}|}) \in T_N(\mathbf{p}, u, v)} \sigma_N^{2|\mathbf{p}|} a_{\mathbf{A}}^{(u)}(\phi, y^1) a_{\mathbf{B}}^{(u)}(\phi, y^1) a_{\mathbf{C}}^{(v)}(\phi, y^2) a_{\mathbf{D}}^{(v)}(\phi, y^2) \end{aligned} \quad (4.8)$$

where $T_N(\mathbf{p}, u, v)$ is the set of time-sequence $\{(n_1, \dots, n_{|\mathbf{p}|})\}$ given as follows:

(T-1) n_i are associated with p_i for $1 \leq i \leq |\mathbf{p}|$.

(T-2) $1 \leq n_1 \leq n_2 \leq \dots \leq n_{|\mathbf{p}|}$.

(T-3) If $p_i = AB$ (or CD), then $n_i < Nu$ ($n_i < Nv$). Otherwise, $n_i < Nu \wedge Nv$.

(T-4) If p_i and p_{i+1} is not a couple, then $n_i < n_{i+1}$. Otherwise $n_i = n_{i+1}$ is allowed.

Remark 4.3. $\mathbf{A}, \mathbf{B}, \mathbf{C}, \mathbf{D}$ does not appear in the sum on the right-hand side explicitly. However, \mathbf{p} contains all their information.

Remark 4.4. The inequality comes from the fact that $ABCD \in \mathcal{P}_*$ is mapped to $AB \in \mathcal{P}_1$ so that the time-space summation associated with $p \neq AB, CD$ does not contain the quadruple intersection. However, the difference is negligible. Indeed, the differences is dominated from above by the summation of quadruple intersection terms of expansion of $\|\psi\|_\infty^4 E \left[Z_{N;t}^\phi(1)^4 \right]$. However, we can find from the proof of [CSZ23, Theorem 6.1] that the contribution from the quadruple intersections is negligible (see the argument after Proposition 6.6 in [CSZ23]).

4.3 Partitions of sequence of pairings by stretches

Next, we focus on consecutive sequences in $\mathbf{p} \in \mathcal{P}_f$, called *stretches* in [CSZ19b], that is, $\mathbf{p} = (p_1, \dots, p_k)$ can be divided into some blocks $\mathbf{s} = (s_1 = (p_1, \dots, p_{\ell_1}), s_2 = (p_{\ell_1+1}, \dots, p_{\ell_2}) \dots)$, where we define

(1) $\ell_1 = \sup\{j \geq 1 : p_j \neq p_1\}$.

(2) For each $i \geq 1$, $\ell_{i+1} = \sup\{j \geq \ell_i + 1 : p_j \neq p_{\ell_i+1}\}$ if $\ell_i + 1 \leq k$. Otherwise, we define $\ell_{i+1} = \infty$.

Thus, each block is associated with an element of $P = \{AB, AC, AD, BC, BD, CD\}$. We denote the number of stretches in \mathbf{p} by $|\mathbf{s}| = \sup\{k : \ell_k < \infty\}$.

We denote by $\widetilde{\mathcal{P}}_f$ the set of finite sequences $\mathbf{s} = (s_1, s_2, \dots, s_{|\mathbf{s}|})$ of \mathcal{P}_f with $s_i \neq s_{i+1}$ ($i = 1, \dots, |\mathbf{s}| - 1$).

We define the map \mathbf{k} from \mathcal{P}_f to $\widetilde{\mathcal{P}}_f$ by $\mathbf{k}(\mathbf{p}) = \mathbf{s}$.

Then, we can find that

$$\begin{aligned} & \frac{\sigma_N^4}{N^4} \sum_{\substack{Ns \leq Nu \leq Nt \\ Ns \leq Nv \leq Nt}} \sum_{y^1, y^2} \sum_{\mathbf{p} \in \mathcal{P}_f} \sum_{x_1, \dots, x_{|\mathbf{p}|} \in \mathbb{Z}^2} \sum_{(n_1, \dots, n_{|\mathbf{p}|}) \in T_N(\mathbf{p}, u, v)} \sigma_N^{2|\mathbf{p}|} a_{\mathbf{A}}^{(u)}(\phi, y^1) a_{\mathbf{B}}^{(u)}(\phi, y^1) a_{\mathbf{C}}^{(v)}(\phi, y^2) a_{\mathbf{D}}^{(v)}(\phi, y^2) \\ &= \frac{\sigma_N^4}{N^4} \sum_{\substack{Ns \leq Nu \leq Nt \\ Ns \leq Nv \leq Nt}} \sum_{y^1, y^2} \sum_{\mathbf{s} \in \widetilde{\mathcal{P}}_f} \sum_{\substack{\mathbf{p} \in \mathcal{P}_f \\ \mathbf{k}(\mathbf{p}) = \mathbf{s}}} \sum_{x_1, \dots, x_{|\mathbf{p}|} \in \mathbb{Z}^2} \sum_{(n_1, \dots, n_{|\mathbf{p}|}) \in T_N(\mathbf{p}, u, v)} \sigma_N^{2|\mathbf{p}|} a_{\mathbf{A}}^{(u)}(\phi, y^1) a_{\mathbf{B}}^{(u)}(\phi, y^1) a_{\mathbf{C}}^{(v)}(\phi, y^2) a_{\mathbf{D}}^{(v)}(\phi, y^2) \end{aligned}$$

Also, we can see that

$$\begin{aligned} & \sum_{\substack{\mathbf{s} \in \widetilde{\mathcal{P}}_f \\ \mathbf{k}(\mathbf{p}) = \mathbf{s}}} \sum_{\mathbf{p} \in \mathcal{P}_f} \sum_{x_1, \dots, x_{|\mathbf{p}|} \in \mathbb{Z}^2} \sum_{(n_1, \dots, n_{|\mathbf{p}|}) \in T_N(\mathbf{p}, u, v)} \dots \\ &= \sum_{\mathbf{s} \in \widetilde{\mathcal{P}}_f} \sum_{(m_1, x_1), (n_1, y_1), \dots, (m_{|\mathbf{s}|}, x_{|\mathbf{s}|}), (n_{|\mathbf{s}|}, y_{|\mathbf{s}|}) \in \widetilde{ST}_N(\mathbf{s}, u, v)} \sum_{\substack{\mathbf{p}_1, \dots, \mathbf{p}_{|\mathbf{s}|} \in \mathcal{P}_f \\ \mathbf{k}(\mathbf{p}_i) = \mathbf{s}_i}} (n_1^{(i)}, x_1^{(i)}), \dots, (n_{|\mathbf{p}_i|-2}^{(i)}, x_{|\mathbf{p}_i|-2}^{(i)}) \in \widehat{ST}_N(\mathbf{p}_i, m_i, n_i) \dots, \end{aligned}$$

where $\widetilde{ST}_N(\mathbf{s}, u, v)$ is the set of space-time-sequence $\{(m_1, x_1), (n_1, y_1), \dots, (m_{|\mathbf{s}|}, x_{|\mathbf{s}|}), (n_{|\mathbf{s}|}, y_{|\mathbf{s}|})\}$ given as follows:

(\widetilde{ST} -1) $(m_i, x_i), (n_i, y_i)$ are associated with the stretch s_i for $1 \leq i \leq |\mathbf{s}|$, which represents the start point and the end point of the stretch.

$$(\widetilde{\text{ST}}-2) \quad 1 \leq m_1 \leq n_1 \leq m_2 \leq n_2 \leq \cdots \leq m_{|\mathbf{s}|} \leq n_{|\mathbf{s}|}.$$

$$(\widetilde{\text{ST}}-3) \quad \text{If } s_i = AB \text{ (CD), then } n_i < Nu \text{ (} n_i < Nv \text{). Otherwise, } n_i < Nu \wedge Nv.$$

$$(\widetilde{\text{ST}}-4) \quad \text{If } s_i \text{ and } s_{i+1} \text{ is not a couple, then } n_i < m_{i+1}. \text{ Otherwise } n_i = m_{i+1} \text{ is allowed.}$$

$$(\widetilde{\text{ST}}-5) \quad x_i, y_i \in \mathbb{Z}^2.$$

Also, for $\mathbf{p} = (p_1, \dots, p_{|\mathbf{p}|})$, and $1 \leq m \leq n$, $\widehat{ST}_N(\mathbf{p}, m, n)$ is the set of space-time-sequence $\{(n_1, x_1), \dots, (n_{|\mathbf{p}|-2}, x_{|\mathbf{p}|-2})\}$ given as follows:

$$(\widehat{\text{ST}}-1) \quad (n_i, x_i) \text{ are associated with } p_i \text{ for } 1 \leq i \leq |\mathbf{p}| - 2.$$

$$(\widehat{\text{ST}}-2) \quad m < n_1 < n_2 < \cdots < n_{|\mathbf{p}|-2} < n.$$

$$(\widehat{\text{ST}}-3) \quad x_i \in \mathbb{Z}^2.$$

Now, we focus on the summation over $\widehat{ST}_N(\mathbf{p}_i, m_i, n_i)$, and \mathbf{p}_i . Fix (m_i, x_i) and (n_i, y_i) . Then, the other variables appear in the summand with the form

$$\begin{cases} V(X) \sigma_N^{2|\mathbf{p}_i|} 1_{x_i} & \text{if } |\mathbf{p}_i| = 1 \\ V(X) \sigma_N^{2|\mathbf{p}_i|} q_{n_i - m_i}(x_i, y_i)^2 & \text{if } |\mathbf{p}_i| = 2 \\ V(X) \sigma_N^{2|\mathbf{p}_i|} q_{n_{(i)}^1 - m_i}(x_i, x_{(i)}^1)^2 \prod_{j=1}^{|\mathbf{p}_i|-2} q_{n_{(i)}^{(j+1)} - n_{(i)}^{(j)}}(x_{(i)}^{j+1}, x_{(i)}^j)^2 q_{n_i - n_{(i)}^{|\mathbf{p}_i|-1}}(x_{(i)}^{|\mathbf{p}_i|-1}, y_i)^2 & \text{if } |\mathbf{p}_i| \geq 3, \end{cases}$$

where $V(X)$ is a function independent of the summation. Hence, it has the given by

$$V(X) U_{m_i, n_i}(x_i, y_i)$$

Repeating this procedure, we rewrite (4.8) by the following form:

$$\frac{\sigma_N^4}{N^4} \sum_{\substack{Ns \leq Nu \leq Nt \\ Ns \leq Nv \leq Nt}} \sum_{z_1, z_2} \sum_{\mathbf{s} \in \widetilde{\mathcal{P}}_f(m_1, x_1), (n_1, y_1), \dots, (m_{|\mathbf{s}|}, x_{|\mathbf{s}|}), (n_{|\mathbf{s}|}, y_{|\mathbf{s}|}) \in \widehat{ST}_N(\mathbf{s}, u, v)} \sum F_N(\phi, \psi, \mathbf{m}, \mathbf{n}, \mathbf{x}, \mathbf{y}) \prod_{i=1}^{|\mathbf{s}|} (U_{m_i, n_i}(x_i, y_i)).$$

To give the explicit form of $F_N(\phi, \psi, \mathbf{m}, \mathbf{n}, \mathbf{x}, \mathbf{y})$, we will see the sequence of (m_i, x_i) , (n_i, y_i) .

Definition 4.5. For each $\mathbf{s} \in \widetilde{\mathcal{P}}_f$ and $E \in \{A, B, C, D\}$, we set

$$\begin{aligned} i_1^E &= \inf\{j \geq 1 : s_j \ni E\}, \\ \text{and if } i_k^E < \infty, i_{k+1}^E &= \inf\{j > i_k^E : s_j \ni E\}, \end{aligned}$$

where we set $\inf = \infty$. Also, we denote by $k^E = \sup\{k : i_{k+1}^E = \infty\}$ the number of times E appears in \mathbf{s} .

Also, we set

$$m_j^E = m_{i_j^E}, n_j^E = n_{i_j^E}, x_j^E = x_{i_j^E}, \text{ and } y_j^E = y_{i_j^E}$$

for $m_1, n_1, \dots, m_k, n_k, x_1, y_1, \dots, x_k, y_k \in \mathbb{Z}^2$, and $\mathbf{s} \in \widetilde{\mathcal{P}}_f$, $j = 1, \dots, k^E$ and $E \in \{A, B, C, D\}$.

For each $E \in \{A, B, C, D\}$, the transition between $s_{i_j^E}$ and $s_{i_{j+1}^E}$ is from (n_j^E, y_j^E) to (m_{j+1}^E, x_{j+1}^E) . Its contributions to $F_N(\phi, \psi, \mathbf{m}, \mathbf{n}, \mathbf{x}, \mathbf{y})$ are given by the form $G_N \cdot q_{m_{j+1}^E - n_j^E}(y_j^E, x_{j+1}^E)$ for some G_N . Thus, we can see that

$$(4.8) = \frac{\sigma_N^4}{N^4} \sum_{\substack{Ns \leq Nu \leq Nt \\ Ns \leq Nv \leq Nt}} \sum_{z_1, z_2} \sum_{\mathbf{s} \in \widetilde{\mathcal{P}}_f(m_1, x_1), (n_1, y_1), \dots, (m_{|\mathbf{s}|}, x_{|\mathbf{s}|}), (n_{|\mathbf{s}|}, y_{|\mathbf{s}|}) \in \widetilde{ST}_N(\mathbf{s}, u, v)} \sum_{E \in \{A, B, C, D\}} \left(q_{m_1^E}(\phi_N, x_1^E) \prod_{j=1}^{k_E-1} q_{m_{j+1}^E - n_j^E}(y_j^E, x_{j+1}^E) \right) \prod_{i=1}^{|\mathbf{s}|} (U_{m_i, n_i}(x_i, y_i)) q_{Nu - n_{k^A}}(y_{k^A}, z_1) q_{Nu - n_{k^B}}(y_{k^B}, z_1) q_{Nv - n_{k^C}}(y_{k^C}, z_2) q_{Nv - n_{k^D}}(y_{k^D}, z_2) \Psi_N(z_1)^2 \Psi_N(z_2)^2.$$

Moreover, we remark that the summation

$$\frac{\sigma_N^4}{N^4} \sum_{\substack{Ns \leq Nu \leq Nt \\ Ns \leq Nv \leq Nt}} \sum_{z_1, z_2} \dots$$

can be embedded into the summation of AB and CD . Hence, we have

$$(4.8) = \frac{2}{N^4} \sum_{\mathbf{s} \in \widetilde{\mathcal{P}}_{f, AB, CD}} \sum_{\substack{x_1, \dots, x_{|\mathbf{s}|} \\ y_1, \dots, y_{|\mathbf{s}|} \in \mathbb{Z}^2}} \sum_{(m_1, n_1, \dots, (m_{|\mathbf{s}|}, n_{|\mathbf{s}|}) \in \widetilde{T}_N(\mathbf{s}, s, t)} \prod_{E \in \{A, B, C, D\}} \left(q_{m_1^E}(\phi_N, x_1^E) \prod_{j=1}^{k_E-1} q_{m_{j+1}^E - n_j^E}(y_j^E, x_{j+1}^E) \right) \prod_{i=1}^{|\mathbf{s}|} (U_{m_i, n_i}(x_i, y_i)) \Psi_N(y_{|\mathbf{s}|-1})^2 \Psi_N(y_{|\mathbf{s}|})^2, \quad (4.9)$$

where we set

$$\widetilde{\mathcal{P}}_{f, AB, CD} = \{\mathbf{s} = (s_1, \dots, s_k) \in P : s_{k-1} = AB, s_k = CD, k \geq 2\}$$

and $\widetilde{T}_N(\mathbf{s}, s, t)$ is the set of sequence of time-pairs $\{(m_1, n_1), \dots, (m_{|\mathbf{s}|}, n_{|\mathbf{s}|})\}$ satisfy the followings:

(\widetilde{T} -1) (m_i, n_i) are associated with the stretch s_i for $1 \leq i \leq |\mathbf{s}|$, which represents the start time and the end time of the stretch.

(\widetilde{T} -2) $1 \leq m_1 \leq n_1 \leq m_2 \leq n_2 \leq \dots \leq m_{|\mathbf{s}|} \leq n_{|\mathbf{s}|}$.

(\widetilde{T} -3) $Ns \leq n_{|\mathbf{s}|-1} \leq m_{|\mathbf{s}|} \leq n_{|\mathbf{s}|} < Nt$.

(\widetilde{T} -4) If s_i and s_{i+1} are not a couple, then $n_i < m_{i+1}$. Otherwise, $n_i = m_{i+1}$ is allowed.

In particular, the summand is given as the products of the weights associated with the graphs.

Thus, it is enough to estimate (4.9).

We now introduce a new oriented graph $G(\mathbf{s}) = (V(\mathbf{s}), E(\mathbf{s}))$ with vertices $V(\mathbf{s}) = \{0, 1, \dots, |\mathbf{s}|\}$, where the oriented edges are $[0, i_1^E \rangle$ ($E \in \{A, B, C, D\}$) and $[i_j^E, i_{j+1}^E \rangle$ for $1 \leq j \leq k^E - 1$ ($E \in \{A, B, C, D\}$).

We write

$$q(e) = \begin{cases} q_{m_{i_1}^E}(\phi_N, x_{i_1}^E) & \text{for } e = [0, i_1^E \rangle \text{ } (E \in \{A, B, C, D\}) \\ q_{m_{i_j+1}^E - n_{i_j}^E}(y_{i_j}^E, x_{i_{j+1}}^E) & \text{for } e = [i_j^E, i_{j+1}^E \rangle \text{ for } 1 \leq j \leq k^E - 1 \text{ } (E \in \{A, B, C, D\}) \end{cases}$$

and

$$U(v) = U_{m_v, n_v}(x_v, y_v) \quad \text{for } v \in \{1, \dots, |\mathfrak{s}|\}.$$

Then,

$$(4.9) = \frac{2}{N^4} \sum_{\mathfrak{s} \in \widetilde{\mathcal{P}}_{f, AB, CD}} \sum_{\substack{x_1, \dots, x_{|\mathfrak{s}|} \\ y_1, \dots, y_{|\mathfrak{s}|} \in \mathbb{Z}^2}} \sum_{\{(m_1, n_1), \dots, (m_{|\mathfrak{s}|}, n_{|\mathfrak{s}|})\} \in \widetilde{\mathcal{T}}_N(\mathfrak{s}, s, t)} \prod_{e \in E(\mathfrak{s})} q(e) \prod_{i=1}^{|\mathfrak{s}|} U(i). \quad (4.10)$$

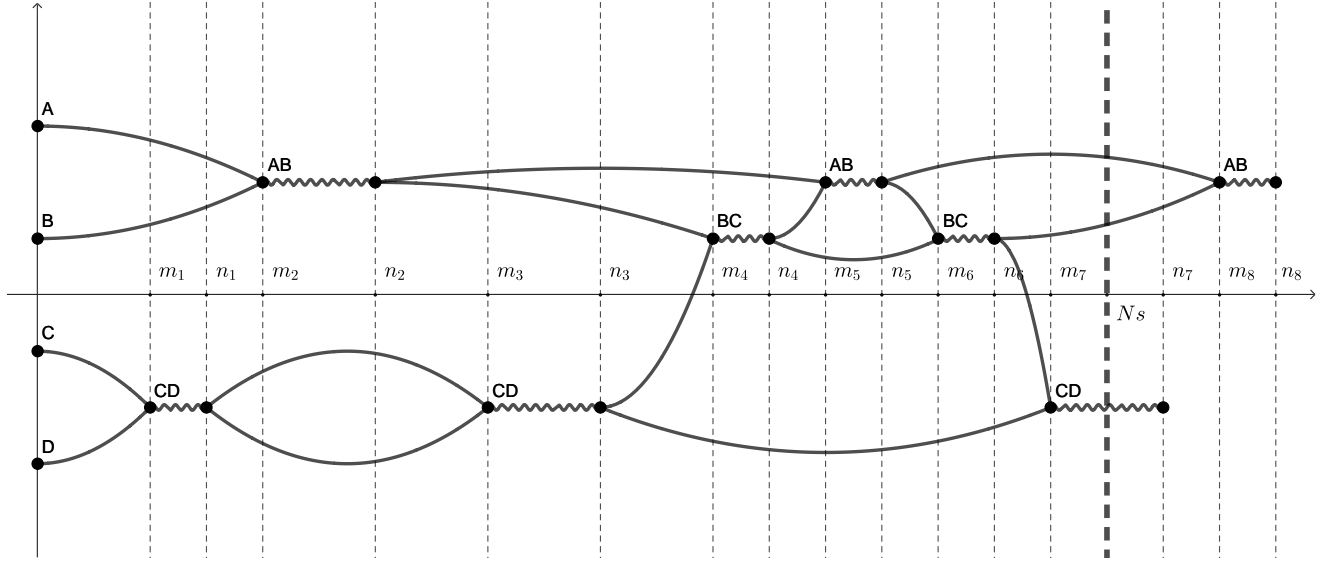


Figure 1: An image of the graph associated with \mathfrak{s} and $\widetilde{\mathcal{T}}_N(\mathfrak{s}, s, t)$. Curly lines represent weights U and solid lines represent weights q .

We can see the following structure of the graph $G(\mathfrak{s})$.

Definition 4.6. Each $v \in \{1, \dots, |\mathfrak{s}| - 2\}$ has two incoming edges $[I_v, v\rangle$, $[I'_v, v\rangle$ and two outgoing edge $[v, O_v\rangle$ and $[v, O'_v\rangle$, where $0 \leq I_v \leq I'_v$ and $O'_v \leq O_v$.

Let $l(\mathfrak{s}) = \sup \{i_1^E : E = A, B, C, D\}$.

For simplicity, we set $i_1^A = i_1^B = 1$, $i_1^C = 2$, and $i_1^D \geq 2$. (The other cases are obtained by permutation.)

Proposition 4.7. For each \mathfrak{s} , the following holds.

(1) $I_1 = I'_1 = 0$. Also, the following holds:

(i) If s_1 and s_2 are a couple, then $i_1^D = 2$ and $I_2 = I'_2 = 0$.

(ii) If s_1 and s_2 are not a couple, then $i_1^D \geq 3$, $I_2 = 0$, $I'_2 = 1$, $I_{i_1^D} = 0$, and $I'_{i_1^D} \in \{i_1^D - 2, i_1^D - 1\}$. In particular, $I'_{i_1^D} = i_1^D - 2$ if and only if $s_{i_1^D}$ and $s_{i_1^D}$ are a couple.

(2) Let $i \neq 1, 2, i_1^D$.

(i) If s_{i-1} and s_i are a couple, then $I'_i = i - 2 \geq I_i$ and the equality holds if and only if $s_{i-2} = s_i$.

(ii) If s_{i-1} and s_i are not a couple, then $I'_i = i - 1$ and $I_i \leq i - 2$. In particular, $I_i = i - 2$ if and only if each label in s_i is contained in either s_{i-2} or s_{i-1} .

(3) For $1 \leq i \leq l(\mathbf{s}) - 2$, $O'_i = i + 1$, $O_i = i + 2$.

(4) Let $l(\mathbf{s}) - 2 \leq i \leq |\mathbf{s}| - 2$. If s_i and s_{i+1} are a couple, then $O'_i = i + 2 \leq O_i$. If s_i and s_{i+1} are not a couple, $O'_i = i + 1$ and $O_i \geq i + 2$. In particular, $O_i = i + 2$ if and only if each label in s_i are contained in s_{i+1} or s_{i+2} .

Proof. (1) $I_1 = I'_1 = 0$ is trivial by definition.

(i) If $s_1 = AB$ and s_2 are a couple, then $s_2 = CD$ so that $i_1^C = i_1^D = 2$ and hence $I_2 = I'_2 = 0$.

(ii) If $s_1 = AB$ and s_2 are not a couple, then $s_2 = *C$ ($* \in \{A, B\}$). So $i_1^D \geq 3$ and there exists oriented edges $[1, 2\rangle$ and $[0, 2\rangle$. Also, it is trivial that $I_1^D = 0$. Finally, if $s_{i_1^D-1}$ and $s_{i_1^D}$ are a couple (e.g. $s_{i_1^D-1} = AB$ and $s_{i_1^D} = CD$), then $s_{i_1^D-2} = EC$ for $E \in \{A, B\}$ since it does not contain D and $s_{i_1^D-2} \nmid s_{i_1^D-1}$. Thus, $I_1^D = i - 2$. On the other hand, if $s_{i_1^D-1}$ and $s_{i_1^D}$ are not a couple, then $I_1^D = i - 1$ holds by definition.

(2)

(i) If s_{i-1} and s_i are a couple (e.g. $s_{i-1} = AB$ and $s_i = CD$), then $s_{i-2} = * \dagger$ for $* \in \{A, B, C, D\}$ and $\dagger \in \{C, D\}$ since $s_{i-1} \nmid s_{i-2}$. Therefore, $I'_i = i - 2$. Also, $I_i = i - 2$ if and only if there exist k, l such that $i_k^C = i_l^D = i - 2$ and $i_{k+1}^C = i_{l+1}^D = i$, i.e. $s_{i-2} = s_i$.

(ii) If s_{i-1} and s_i are not a couple (e.g. $s_{i-1} = AB$ and $s_i = BC$), then $I'_i = i - 1$ and $I_i \leq i - 2$. If $s_{i-2} = *D$ for $* \in \{A, B, C\}$, then $[i - 2, i\rangle$ exists. On the other hand, if $s_{i-2} = * \dagger$ for $*, \dagger \in \{A, B, C\}$, then $[i - 2, i\rangle$ does not exist so $I_i < i - 2$.

(3) By definition, the labels contained in $s_1, \dots, s_{l(\mathbf{s})-1}$ are A, B, C . Then, for $1 \leq i \leq l(\mathbf{s}) - 2$, s_i and s_{i+1} are not a pair (e.g. $s_i = AB$ and $s_{i+1} = AC$), and s_{i+1} and s_{i+2} are not a pair and hence $s_{i+2} = AB$ or BC .

(4) The proof is the same as (2). □

Now, we will give an upper bound of (4.9) by taking summation in spatial variables x_i, y_i .

First, we will take summation in the order of $y_{|\mathbf{s}|} \rightarrow x_{|\mathbf{s}|} \rightarrow y_{|\mathbf{s}|-1} \rightarrow \dots$ as follows: We remark that x_i ($1 \leq i \leq |\mathbf{s}|$) appear in $U(i)$ just one time and in $q(e_1)$ and $q(e_2)$ for just two e_1, e_2 and the same holds for y_i ($1 \leq i \leq |\mathbf{s}| - 2$).

The summand of (4.10) has the form $F(\mathbf{m}, \mathbf{n}, x_1, \dots, x_{|\mathbf{s}|}, y_1, \dots, y_{|\mathbf{s}|-1}) U_{m_{|\mathbf{s}|}, n_{|\mathbf{s}|}}(x_{|\mathbf{s}|}, y_{|\mathbf{s}|})$, and hence the summation of (4.10) in $y_{|\mathbf{s}|}$ is dominated by $F(\mathbf{m}, \mathbf{n}, x_1, \dots, x_{|\mathbf{s}|}, y_1, \dots, y_{|\mathbf{s}|-1}) U_{m_{|\mathbf{s}|}, n_{|\mathbf{s}|}}$. In particular, $x_{|\mathbf{s}|}$ appears as $q([I_{|\mathbf{s}|}, |\mathbf{s}|\rangle) q([I'_{|\mathbf{s}|}, |\mathbf{s}|\rangle)$ in $F(\mathbf{m}, \mathbf{n}, x_1, \dots, x_{|\mathbf{s}|}, y_1, \dots, y_{|\mathbf{s}|-1})$.

We know that for $j \geq 1$,

$$\begin{aligned} \sum_{x_j} q([I_j, j\rangle) q([I'_j, j\rangle) &= q_{2m_j - n_{I_j} - n_{I'_j}}(y_{I_j}, I'_j) \\ &\leq \frac{C_{q,1}}{2m_j - n_{I_j} - n_{I'_j}} \end{aligned} \quad (4.11)$$

if $1 \leq I_j \leq I'_j$, where $C_{q,1}$ is a constant which is uniformly chosen in $m_i, n_{I_i}, n_{I'_i}$ and $y_{I_i}, y_{I'_i}$,

$$\sum_{x_j} q([0, j\rangle) q([I'_j, j\rangle) = q_{2m_j - n_{I'_j}}(\phi_N, y'_{I'_j}) \leq C_{q,2} \quad (4.12)$$

if $I_j = 0 < I'_j$, where $C_{q,2}$ is a constant depending only on $\int \phi(x) dx$, and

$$\sum_{x_j} q([I_j, j\rangle) q([0, j\rangle) = \sum_{y \in \mathbb{Z}_{\text{even}}^2} q_{2m_j}(\phi_N, y) \phi_N(y) \leq C_{q,3} N \quad (4.13)$$

if $I_j = I'_j = 0$, where $C_{q,3}$ is a constant depending only on $\int \phi(x)dx$. We denote by

$$\tilde{q}(j) = \begin{cases} \frac{C_{q,1}}{2m_j - n_j - n_{I'_j}} & \text{if } 1 \leq I_j \leq I'_j \\ C_{q,2} & \text{if } 0 = I_j < I'_j \\ C_{q,3}N & \text{if } I_j = I'_j = 0. \end{cases}$$

Hence, $y_{I_{|s|}}$ and $y_{I'_{|s|}}$ appear in the summand with the form $U(I_{\mathbf{s}})q([I_{\mathbf{s}}, O'_{I_{\mathbf{s}}}] \rangle) U(I'_{|s|})q([I'_{|s|}, O'_{I'_{|s|}}] \rangle)$ (if $I_{|s|} < I'_{|s|}$) or $U(I_{|s|})$ (if $I_{|s|} = I'_{|s|}$).

Let $1 \leq j \leq |s| - 1$. Suppose that by taking summation in $x_{j+1}, \dots, x_{|s|}$ and $y_{j+1}, \dots, y_{|s|}$, the summand has the form

$$V_N(\mathbf{m}, \mathbf{n}, j) \prod_{e \in E_O(\mathbf{s}, j)} q(e) \prod_{i=1}^j U(i), \quad (4.14)$$

$$E_O(\mathbf{s}, j) = \left\{ e \in E(\mathbf{s}) : \begin{array}{ll} e = [i, O_i] & (O_i \leq j) \\ e = [i, O'_i] & (O'_i \leq j) \\ e = [0, i_1^E] & (i_1^E \leq j) \end{array} \right\}.$$

Since y_j appears only in $U(i)$, the summation in y_j of (4.14) is dominated by

$$U_{m_j, n_j} V_N(\mathbf{m}, \mathbf{n}, j) \prod_{e \in E_O(\mathbf{s}, j)} q(e) \prod_{i=1}^{j-1} U(i) \quad (4.15)$$

and x_j appears as $q([I_j, j] \rangle)q([I'_j, j] \rangle)$ in (4.15). The summation of (4.15) in x_j is dominated by

$$\tilde{q}(j) U_{m_j, n_j} V_N(\mathbf{m}, \mathbf{n}, j) \prod_{e \in E_O(\mathbf{s}, j-1)} q(e) \prod_{i=1}^{j-1} U(i).$$

By induction, we can obtain an upper bound of (4.10). To give it, we divide $\tilde{\mathcal{P}}_{f, AB, CD}$ into two disjoint sets

$$\begin{aligned} \tilde{\mathcal{P}}_\alpha &= \{\mathbf{s} \in \tilde{\mathcal{P}}_{f, AB, CD} : (s_1, s_2) \text{ are not a couple.}\} \\ \tilde{\mathcal{P}}_\beta &= \{\mathbf{s} \in \tilde{\mathcal{P}}_{f, AB, CD} : (s_1, s_2) \text{ are a couple.}\}. \end{aligned}$$

For $\mathbf{s} \in \tilde{\mathcal{P}}_\alpha$, one (4.13) and two (4.12) appear. On the other hand, for $\mathbf{s} \in \tilde{\mathcal{P}}_\beta$, two (4.13) and no (4.12) appear.

Thus, we can find that (4.10) is dominated by

$$\begin{aligned} & \frac{2C_{q,2}C_{q,3}}{N^3} \sum_{\mathbf{s} \in \tilde{\mathcal{P}}_\alpha} \sum_{(\mathbf{m}, \mathbf{n}) \in \tilde{T}_N(\mathbf{s}, s, t)} \prod_{\substack{j=3, \dots, |s| \\ j \neq l(\mathbf{s})}} \tilde{q}(j) \prod_{j=1}^{|\mathbf{s}|} U_{m_j, n_j} \\ & + \frac{2C_{q,3}^2}{N^2} \sum_{\mathbf{s} \in \tilde{\mathcal{P}}_\beta} \sum_{(\mathbf{m}, \mathbf{n}) \in \tilde{T}_N(\mathbf{s}, s, t)} \prod_{j=3, \dots, |s|} \tilde{q}(j) \prod_{j=1}^{|\mathbf{s}|} U_{m_j, n_j} \\ & \leq \frac{2C_{q,2}C_{q,3}e^{2T\lambda}}{N^3} \sum_{\mathbf{s} \in \tilde{\mathcal{P}}_\alpha} \sum_{(\mathbf{m}, \mathbf{n}) \in \tilde{T}_N(\mathbf{s}, s, t)} \prod_{\substack{j=3, \dots, |s| \\ j \neq l(\mathbf{s})}} \tilde{q}(j) \prod_{j=1}^{|\mathbf{s}|} e^{-\lambda \frac{n_j - m_j}{N}} U_{m_j, n_j} \quad (\text{Type-}\alpha) \\ & + \frac{2C_{q,3}^2e^{2T\lambda}}{N^2} \sum_{\mathbf{s} \in \tilde{\mathcal{P}}_\beta} \sum_{(\mathbf{m}, \mathbf{n}) \in \tilde{T}_N(\mathbf{s}, s, t)} \prod_{j=3, \dots, |s|} \tilde{q}(j) \prod_{j=1}^{|\mathbf{s}|} e^{-\lambda \frac{n_j - m_j}{N}} U_{m_j, n_j}. \quad (\text{Type-}\beta) \end{aligned}$$

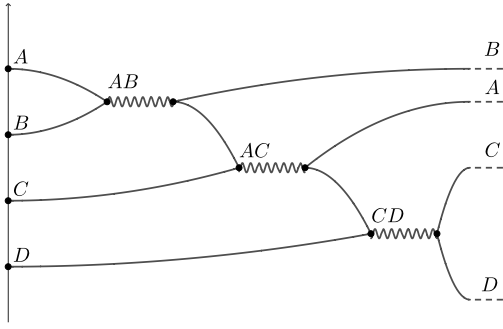


Figure 2: Image of (Type- α).

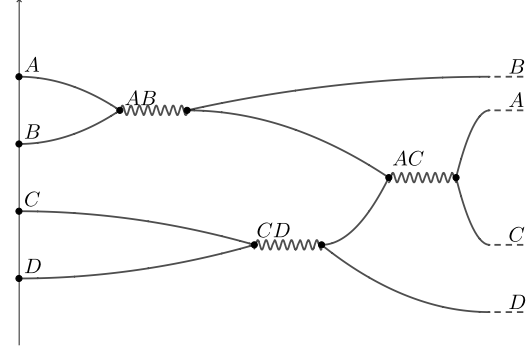


Figure 3: Image of (Type- β).

Here $\lambda > 0$ is a constant (chosen later) which will play the same role as the one introduced in [CSZ19b].

For (Type- α), we have four cases

(Type-1) $m_1 < m_2 < m_{l(s)} \leq Ns$

(Type-2) $m_1 < m_2 \leq Ns < m_{l(s)}$

(Type-3) $m_1 \leq Ns < m_2 < m_{l(s)}$

(Type-4) $Ns < m_1 < m_2 < m_{l(s)}$

and for (Type- β), we have three cases

(Type-6) $m_1 < m_2 \leq Ns$

(Type-7) $m_1 \leq Ns < m_2$

(Type-8) $Ns < m_1 < m_2$.

Also, we will divide the summation by the first site after Ns .

Definition 4.8. For each sequence (\mathbf{m}, \mathbf{n}) in $\mathbb{T}_N(\mathbf{s}, u, v)$, there exists an $i(\mathbf{m}, \mathbf{n}) \in \{1, \dots, |\mathbf{s}| - 1\}$ such that one of the following holds:

(s-1) $m_{i(\mathbf{m}, \mathbf{n})} \leq Ns < n_{i(\mathbf{m}, \mathbf{n})}$

(s-2) $n_{i(\mathbf{m}, \mathbf{n})-1} \leq Ns < m_{i(\mathbf{m}, \mathbf{n})}$.

Thus, we have to estimate 14 cases. However, the arguments are essentially the same, so we will deal with the following two cases in the next section: (s-1) \times (Type-1), and (s-2) \times (Type-6).

5 Bounds of moments

In this section, we will give upper bounds of (s-1) \times (Type-1) and (s-2) \times (Type-6).

To give upper bounds of moments, we use some estimates in [CSZ19b], where they gave upper bounds of third moments in terms of multivariate integrals. Essentially, the method is the same as the one in [CSZ19b] but our integrands are complicated.

5.1 (s-1) × (Type-1)-case

5.1.1 Change of time variables

At first, we will change of time variables (\mathbf{m}, \mathbf{n}) as follows.

For a while, we fix $i(\mathbf{m}, \mathbf{n}) = i$.

We change the time sequence as follows:

$$\begin{cases} u_k = n_k - m_k & \text{for } 1 \leq k \leq |\mathbf{s}|, k \neq i \\ u_i = Ns - m_i \\ \tilde{u}_i = n_i - Ns \\ v_k = m_{k+1} - n_k & \text{for } 1 \leq k \leq |\mathbf{s}| - 1. \end{cases}$$

Then, we replace the variables of the summation from (\mathbf{m}, \mathbf{n}) to $(\mathbf{u}, \mathbf{v}, \tilde{u}_i) = (u_1, \dots, u_{|\mathbf{s}|}, v_1, \dots, v_{|\mathbf{s}|-1}, \tilde{u}_i)$ and enlarge the range of them as follows

$$D(i, \mathbf{s}) := \left\{ \begin{array}{l} u_1, \dots, u_i, v_1, \dots, v_{i-1} \in \{0, \dots, NT\} \\ \tilde{u}_i, u_{i+1}, \dots, u_{|\mathbf{s}|}, v_i, \dots, v_{|\mathbf{s}|-1} \in \{0, \dots, (t-s)N\} \end{array} \right\}.$$

Since $I_k \leq k-2$ and $I'_k \leq k-1$, we can see that

$$2m_k - n_{I_k} - n_{I'_k} \geq 2m_k - n_{k-1} - n_{k-2} \geq 2v_{k-1} + v_{k-2} \quad (5.1)$$

and

$$U_{n_k - m_k} = \begin{cases} U_{u_k} & \text{for } 1 \leq k \leq |\mathbf{s}|, k \neq i \\ U_{u_i + \tilde{u}_i} & \text{for } k = i. \end{cases} \quad (5.2)$$

Thus, we have

(s-1) × (Type-1)

$$\leq \frac{C_{q,2} C_{q,3} e^{2T\lambda}}{N^3} \sum_{k=4}^{\infty} \sum_{l=3}^{k-1} \sum_{\substack{\mathbf{s} \in \mathcal{P}_\alpha \\ |\mathbf{s}|=k \\ l(\mathbf{s})=l}} \sum_{i=l(\mathbf{s})}^{k-1} \sum_{\mathbf{u}, \tilde{u}_i, \mathbf{v} \in D(i, \mathbf{s})} \prod_{\substack{j=3 \\ j \neq l(\mathbf{s})}}^k \left(\frac{C_{q,1}}{2v_{j-1} + v_{j-2}} \wedge 1 \right) \left(\prod_{\substack{j=1, \dots, k \\ j \neq i}} e^{-\lambda \frac{u_j}{N}} U_{u_j} \right) e^{-\lambda \frac{\tilde{u}_i + u_i}{N}} U_{\tilde{u}_i + u_i},$$

where $|\mathbf{s}| \geq 4$ since $|\mathbf{s}| > l(\mathbf{s}) > 2$ for (Type-1).

We use the following result.

Lemma 5.1. [CSZ19b, Lemma 5.3 and (5.37)] For each $\lambda \geq 1$ and $T \geq 1$, there exists a constant $c_\vartheta < \infty$ such that for any $N \geq 1$

$$\sum_{u=1}^{NT} e^{-\lambda \frac{u}{N}} U_u \leq \frac{c_\vartheta}{2 + \log \lambda}.$$

Corollary 5.2. For each $T \geq 1$ and $t \geq 0$, there exists a constant $c_\vartheta < \infty$ such that for any $N \geq 1$

$$\frac{1}{N} \sum_{v=0}^{Nt} \sum_{u=1}^{NT} e^{-\lambda \frac{u+v}{N}} U_{u+v} \leq \frac{c_\vartheta t}{2 + \log \lambda}.$$

Thus,

$$\begin{aligned}
& \text{(s-1)} \times \text{(Type-1)} \\
& \leq \frac{C_{q,2} C_{q,3} e^{2T\lambda} (t-s)}{N^2} \sum_{k=4}^{\infty} \left(\frac{c_{\vartheta}}{2 + \log \lambda} \right)^{k-1} \sum_{l=3}^{k-1} \sum_{\substack{\mathbf{s} \in \widetilde{\mathcal{P}}_{\alpha} \\ |\mathbf{s}|=k \\ l(\mathbf{s})=l}} \sum_{i=l(\mathbf{s})}^k \sum_{\mathbf{v} \in D_{\mathbf{v}}(i, \mathbf{s})} \prod_{\substack{j=3 \\ j \neq l(\mathbf{s})}}^k \left(\frac{C_{q,1}}{2v_{j-1} + v_{j-2}} \wedge 1 \right), \tag{5.3}
\end{aligned}$$

where we set

$$D_{\mathbf{v}}(i, \mathbf{s}) := \left\{ \begin{array}{l} v_1, \dots, v_{i-1} \in \{0, \dots, NT\} \\ v_i, \dots, v_{|\mathbf{s}|-1} \in \{0, \dots, (t-s)N\} \end{array} \right\}. \tag{5.4}$$

Now, we focus on

$$\sum_{\mathbf{v} \in D_{\mathbf{v}}(i, \mathbf{s})} \prod_{\substack{j=3 \\ j \neq l(\mathbf{s})}}^k \left(\frac{C_{q,1}}{2v_{j-1} + v_{j-2}} \wedge 1 \right)$$

which is the summation of the product of $k-3$ terms with respect to $k-1$ variables. By the AM-GM inequality $a+b \geq 2\sqrt{ab}$ for $a \geq 0, b \geq 0$, it is dominated by

$$\begin{aligned}
& \frac{1}{(2N)^{k-3}} \sum_{\mathbf{v} \in D_{\mathbf{v}}(i, \mathbf{s})} \prod_{\substack{j=1 \\ j \neq l(\mathbf{s})-2}}^{k-2} \left(\frac{C_{q,1}}{\sqrt{\frac{v_{j+1}}{N}} \sqrt{\frac{v_{j+1}}{N} + \frac{v_j}{N}}} \wedge N \right) \\
& \leq C_{q,1}^{k-3} N^2 \int_{[0, s]^{i-1} \times [0, t-s]^{k-i}} d\mathbf{v} \prod_{\substack{j=1 \\ j \neq l(\mathbf{s})-2}}^{k-2} \frac{1}{\sqrt{v_{j+1}} \sqrt{v_{j+1} + v_j}}. \tag{5.5}
\end{aligned}$$

Now, we integrate it in order from v_1 to v_{k-1} .

Since v_1 appear as $\frac{1}{\sqrt{v_1+v_2}}$ in integrand of (5.5),

$$\begin{aligned}
& \int_{[0, s]^{i-1} \times [0, t-s]^{k-i}} d\mathbf{v} \prod_{\substack{j=1 \\ j \neq l(\mathbf{s})-2}}^{|\mathbf{s}|-2} \frac{1}{\sqrt{v_{j+1}} \sqrt{v_{j+1} + v_j}} \\
& \leq 2\sqrt{2T} \int_{[0, T]^{i-2} \times [0, t-s]^{k-i}} d\mathbf{v} \left(\prod_{j=2}^{l(\mathbf{s})-3} \frac{1}{\sqrt{v_j} \sqrt{v_j + v_{j+1}}} \right) \frac{1}{\sqrt{v_{l(\mathbf{s})-2}}} \\
& \quad \frac{1}{\sqrt{v_{l(\mathbf{s})-1} + v_{l(\mathbf{s})}}} \left(\prod_{j'=l(\mathbf{s})}^{k-2} \frac{1}{\sqrt{v_{j'}} \sqrt{v_{j'} + v_{j'+1}}} \right) \frac{1}{\sqrt{v_{k-1}}}.
\end{aligned}$$

To estimate the integral in the right-and side, we use the results in [CSZ19b].

We define

$$\phi_t^{(0)}(u) = 1, \quad \text{and} \quad \phi_t^{(k)}(u) = \int_0^t \frac{1}{\sqrt{s(s+u)}} \phi_t^{(k-1)}(s) ds, \quad \text{for } k \geq 1 \text{ and } u, t \geq 0.$$

Then, it is easy to see that

$$\begin{aligned}\phi_t^{(0)}(u) &= \phi_1^{(0)}(u) \\ \phi_t^{(1)}(u) &= \int_0^1 \frac{1}{\sqrt{s(s+\frac{u}{t})}} ds = \phi_1^{(1)}\left(\frac{u}{t}\right) \\ \phi_t^{(k)}(u) &= \int_0^1 \frac{1}{\sqrt{s(s+\frac{u}{t})}} \phi_t^{(k-1)}(u) ds = \phi_1^{(k)}\left(\frac{u}{t^k}\right) \quad \text{for all } k \geq 1.\end{aligned}$$

Lemma 5.3. [CSZ19b, Lemma 5.4] For all $k \in \mathbb{N}$,

$$\phi_1^{(k)}(v) \leq 32^k \sum_{i=0}^k \frac{1}{i!} \left(\frac{1}{2} \log \frac{e^2}{v} \right)^i \leq 32^k \frac{e}{\sqrt{v}},$$

for all $v \in (0, 1)$.

In particular,

$$\phi_T^{(k)} \leq 32^k p^k \sum_{i=0}^k \frac{1}{i!} \left(\frac{1}{2p} \log \frac{T^k e^2}{v} \right)^i \leq (32p)^k T^{\frac{k}{2p}} e^{\frac{1}{p}} v^{-\frac{1}{2p}}$$

for $T > 0$ and $p \geq 1$.

Therefore,

$$\begin{aligned}& \int_{[0, T]^{l(\mathbf{s})-3}} \prod_{j=2}^{l(\mathbf{s})-2} \frac{1}{\sqrt{v_j} \sqrt{v_j + v_{j+1}}} \frac{1}{\sqrt{v_{l(\mathbf{s})-2}}} dv_1 \dots dv_{l(\mathbf{s})-2} \\ & \leq (32p)^{l(\mathbf{s})-3} T^{\frac{l(\mathbf{s})-3}{2p}} e^{\frac{1}{p}} \int_0^T \frac{1}{v^{\frac{1}{2} + \frac{1}{2p}}} dv \leq \frac{1}{\frac{1}{2} - \frac{1}{2p}} (32p)^{l(\mathbf{s})-3} T^{\frac{l(\mathbf{s})-3}{2p} + \frac{1}{2} - \frac{1}{2p}} e^{\frac{1}{p}}.\end{aligned} \quad (5.6)$$

for $p > 1$.

Also, we have

$$\begin{aligned}& \int_{[0, T]^{i-l(\mathbf{s})+1} \times [0, t-s]^{k-i}} \frac{1}{\sqrt{v_{l(\mathbf{s})-1} + v_{l(\mathbf{s})}}} \left(\prod_{j'=l(\mathbf{s})}^{k-2} \frac{1}{\sqrt{v_{j'} \sqrt{v_{j'} + v_{j'+1}}}} \right) \frac{1}{\sqrt{v_{k-1}}} dv_{l(\mathbf{s})-1} \dots dv_{k-1} \\ & \leq 2\sqrt{T} (32p)^{k-l(\mathbf{s})-1} T^{\frac{k-l(\mathbf{s})-1}{2p}} e^{\frac{1}{p}} \int_0^{t-s} \frac{1}{v^{\frac{1}{2} + \frac{1}{2p}}} dv \\ & \leq \frac{2}{\frac{1}{2} - \frac{1}{2p}} \sqrt{T} (32p)^{k-l(\mathbf{s})-1} T^{\frac{k-l(\mathbf{s})-1}{2p}} e^{\frac{1}{p}} (t-s)^{\frac{1}{2} - \frac{1}{2p}}.\end{aligned} \quad (5.7)$$

Combining (5.3), (5.5), (5.6), and (5.7), we obtain that

$$\begin{aligned}(\mathbf{s}-1) \times (\text{Type-1}) & \leq C_p C_{q,2} C_{q,3} e^{2\lambda T} (t-s)^{\frac{3}{2} - \frac{1}{2p}} \sum_{k=4}^{\infty} \left(\frac{C_{\vartheta}}{2 + \log \lambda} \right)^k \sum_{l=3}^{k-1} \sum_{\substack{\mathbf{s} \in \tilde{\mathcal{F}}_{\alpha} \\ |\mathbf{s}|=k \\ l(\mathbf{s})=l}} \sum_{i=l(\mathbf{s})}^k (32p)^{k-l-4} T^{\frac{k-5}{2p} + \frac{3}{2}} \\ & \leq C_p C_{q,2} C_{q,3} e^{2\lambda T} (t-s)^{\frac{3}{2} - \frac{1}{2p}} \sum_{k=2}^{\infty} \left(\frac{C_{\vartheta}}{2 + \log \lambda} \right)^k k 6^k (32p)^{k-3} T^{\frac{k-5}{2p} + \frac{3}{2}} \\ & \leq C_{p,T,\lambda} (t-s)^{\frac{3}{2} - \frac{1}{2p}}\end{aligned}$$

for λ large enough, where C_p is a constant depending only on $p > 1$ and $C_{p,T,\lambda}$ is a constant depending on p, T, λ .

5.2 (s-2) × (Type-2)-case

For a while, we fix $i(\mathbf{m}, \mathbf{n}) = i$.

We change the time sequence as follows:

$$\begin{cases} u_k = n_k - m_k, & \text{for } 1 \leq k \leq |\mathbf{s}| \\ v_k = m_{k+1} - n_k & \text{for } 1 \leq k \leq |\mathbf{s}| - 1, k \neq i - 1 \\ v_{i-1} = Ns - n_{i-1} \\ \tilde{v}_{i-1} = m_i - Ns. \end{cases}$$

Then, we replace the variables of the summation from (\mathbf{m}, \mathbf{n}) to $(\mathbf{u}, \mathbf{v}, \tilde{v}_{i-1})$ and enlarge the range of them as follows:

$$D_2(i, \mathbf{s}) := \left\{ \begin{array}{l} u_1, \dots, u_{|\mathbf{s}|}, v_1, \dots, v_{i-1} \in \{0, \dots, NT\} \\ \tilde{v}_{i-1}, v_i, \dots, v_{|\mathbf{s}|-1} \in \{0, \dots, (t-s)N\} \end{array} \right\}.$$

Using (5.1), we can see that

$$\begin{aligned} (\text{s-2}) \times (\text{Type-6}) &\leq \frac{C_{q,3}^2 e^{2T\lambda}}{N^2} \sum_{k=4}^{\infty} \sum_{\substack{\mathbf{s} \in \tilde{\mathcal{D}}_{\beta} \\ |\mathbf{s}|=k}} \sum_{i=3}^{k-1} \sum_{(\mathbf{u}, \mathbf{v}, \tilde{v}_{i-1}) \in D_2(i, \mathbf{s})} \prod_{j=3, \dots, k} \left(\frac{C_{q,1}}{2v_{j-1} + v_{I_j}} \wedge 1 \right) \prod_{j=1}^{|\mathbf{s}|} e^{-\lambda \frac{u_j}{N}} U_{u_j} \\ &\leq \frac{C_{q,3}^2 e^{2T\lambda}}{N^2} \sum_{k=4}^{\infty} \sum_{\substack{\mathbf{s} \in \tilde{\mathcal{D}}_{\beta} \\ |\mathbf{s}|=k}} \sum_{i=3}^{k-1} \sum_{(\mathbf{u}, \mathbf{v}, \tilde{v}_{i-1}) \in D_2(i, \mathbf{s})} \prod_{j=3, \dots, k} \left(\frac{C_{q,1}}{2v_{j-1} + v_{j-2}} \wedge 1 \right) \prod_{j=1}^{|\mathbf{s}|} e^{-\lambda \frac{u_j}{N}} U_{u_j}, \end{aligned} \quad (5.8)$$

where we remark that $i(\mathbf{m}, \mathbf{n}) \leq |\mathbf{s}| - 1$ since $m_{|\mathbf{s}|-1}$ must be larger than Ns . Also, we remark that the summand does not contain \tilde{v}_{i-1} .

Lemma 5.1 yields that

$$(\text{s-2}) \times (\text{Type-6}) \leq \frac{C_{q,3}^2 e^{2T\lambda} (t-s)}{N} \sum_{k=4}^{\infty} \left(\frac{c_{\vartheta}}{2 + \log \lambda} \right)^k \sum_{\substack{\mathbf{s} \in \tilde{\mathcal{D}}_{\beta} \\ |\mathbf{s}|=k}} \sum_{i=3}^k \sum_{(\mathbf{v}) \in D_{\mathbf{v}}(i, \mathbf{s})} \prod_{j=3, \dots, k} \left(\frac{C_{q,1}}{2v_j + v_{I_{j+1}}} \wedge 1 \right)$$

where $D_{\mathbf{v}}(i, \mathbf{s})$ is defined in (5.4).

Then, a similar argument to the analysis of (5.5) yields that

$$\sum_{\mathbf{v} \in D_{\mathbf{v}}(i, \mathbf{s})} \prod_{j=3, \dots, k} \left(\frac{C_{q,1}}{2v_j + v_{I_{j+1}}} \wedge 1 \right) \leq C_{q,1}^{k-2} N \int_{[0, \mathbf{s}]^{i-1} \times [0, t-s]^{k-i}} d\mathbf{v} \prod_{j=1}^{k-2} \frac{1}{\sqrt{v_{j+1}} \sqrt{v_{j+1} + v_j}}.$$

The rest of analysis is almost the same as the one of the proof after (5.5), so we omit it.

Anyway, we can obtain that

$$(\text{s-2}) \times (\text{Type-6}) \leq C_{p,T,\lambda} (t-s)^{\frac{3}{2} - \frac{1}{2p}}$$

for λ large enough, where $C_{p,T,\lambda}$ is a constant depending on p, T, λ .

6 Proof of Lemma 3.14

As we mentioned in Remark 3.18, it is enough to focus on (3.22)-(3.24).

The limit of the third moment of $\bar{Z}_{N;s}^\phi(\psi)$ was obtained in [CSZ19b] and the higher moments of the moments in the continuous setting (stochastic heat equation) was obtained in [QTT21].

We recall that for each $\mathfrak{s} \in \widetilde{\mathcal{P}}_f$ and $E \in \{A, B, C, D\}$, we set

$$i_1^E = \inf\{j \geq 1 : s_j \ni E\},$$

$$\text{and if } i_k^E < \infty, i_{k+1}^E = \inf\{j > i_k^E : s_j \ni E\},$$

where we set $\inf = \infty$. Also, we denote by $k^E = \sup\{k : i_{k+1}^E = \infty\}$ the number of times E appears in \mathfrak{s} .

Also, we define

$$\Theta^E(\mathbf{u}, \mathbf{v}, \mathbf{x}, \mathbf{y}) = \Phi_{u_1^E}(x_1^E) \prod_{j=1}^{k^E-1} p_{u_{j+1}^E - v_j^E}(x_{j+1}^E - y_j^E)$$

for $\phi \in C_c(\mathbb{R}^2)$, $0 < u_1 < v_1 < \dots < u_k < v_k$, $x_1, y_1, \dots, x_k, y_k \in \mathbb{R}^2$, and $\mathfrak{s} \in \widetilde{\mathcal{P}}_f$, where we set $u_j^E = u_{i_j^E}$, $v_j^E = v_{i_j^E}$, $x_j^E = x_{i_j^E}$, and $y_j^E = y_{i_j^E}$ for $j = 1, \dots, k^E$ and $E \in \{A, B, C, D\}$.

The limits of (3.22)-(3.24) are given as follows.

Lemma 6.1. *Let $\phi \in C_c(\mathbb{R}^2)$ and $\psi \in C_b^2(\mathbb{R}^2)$. For each $t \geq 0$,*

$$\begin{aligned} & \lim_{N \rightarrow \infty} E \left[\left(\int_0^{\lfloor Nt \rfloor} \int_{\mathbb{R}^2} \bar{Z}_{N;s}^\phi(p_\varepsilon(\cdot - z))^2 \psi(z)^2 dz \right)^2 \right] \\ &= \int_{[0,t]^2} \prod_{i=1}^2 \left(\int \Phi_{s_i + \varepsilon}(y)^2 \psi(y)^2 dy \right) ds_1 ds_2 \\ &+ \sum_{k \geq 1} \sum_{\substack{\mathfrak{s} \in \widetilde{\mathcal{P}}_f \\ |\mathfrak{s}| = k}} (4\pi)^k \iint_{\substack{0 < u_1 < v_1 < \dots < u_{k-1} < v_{k-1} < u_k < v_k < t \\ v_{kA}^A \vee v_{kB}^B < \sigma < t, v_{kC}^C \vee v_{kD}^D < \tau < t}} d\mathbf{u} d\mathbf{v} d\sigma d\tau \int_{(\mathbb{R}^2)^{2k+2}} d\mathbf{x} d\mathbf{y} dz^{AB} dz^{CD} \mathbf{1} \left\{ \begin{array}{l} z^{AB} = z^A = z^B, z^{CD} = z^C = z^D, \\ \sigma = \sigma^A = \sigma^B, \tau = \sigma^C = \sigma^D \end{array} \right\} \\ & \prod_{i=1}^k G_\emptyset(v_j - u_j, y_j - x_j) \prod_{E \in \{A, B, C, D\}} \Theta^E(\mathbf{u}, \mathbf{v}, \mathbf{x}, \mathbf{y}) p_{\sigma^E - v_{kE}^E + \varepsilon}(z^E - y_{kE}^E) \psi(z^E) \end{aligned} \quad (6.1)$$

Lemma 6.2. Let $\phi \in C_c(\mathbb{R}^2)$ and $\psi \in C_b^2(\mathbb{R}^2)$. For each $t \geq 0$,

$$\begin{aligned}
& \lim_{N \rightarrow \infty} E \left[\int_0^{\lfloor \frac{Nt}{N} \rfloor} \int_{\mathbb{R}^2} \bar{Z}_{N;s}^\phi (p_\varepsilon(\cdot - z))^2 \psi(z)^2 dz \langle M^{N,\phi}(\psi) \rangle_t \right] \\
&= \sum_{k \geq 1} \sum_{\substack{\mathbf{s} \in \tilde{\mathcal{P}}_f \\ |\mathbf{s}|=k, s_k=CD}} (4\pi)^k \iint_{\substack{0 < u_1 < v_1 < \dots < u_{k-1} < v_{k-1} < u_k < v_k < t \\ v_{k-1} < \sigma < t}} d\mathbf{u} d\mathbf{v} d\sigma \int_{(\mathbb{R}^2)^{2k+1}} d\mathbf{x} d\mathbf{y} dz^{AB} 1 \{z^{AB} = z^A = z^B\} \\
&\quad \prod_{i=1}^k G_\vartheta(v_j - u_j, y_j - x_j) \prod_{E \in \{A,B,C,D\}} \Theta^E(\mathbf{u}, \mathbf{v}, \mathbf{x}, \mathbf{y}) \prod_{F=A,B} p_{\sigma - v_{kF}^F + \varepsilon}(z^F - y_{kF}^F) \psi(z^F) \psi(y_k)^2 \\
&+ \sum_{k \geq 1} \sum_{\substack{\mathbf{s} \in \tilde{\mathcal{P}}_f \\ |\mathbf{s}|=k, \\ s_{k-1}=CD, s_k=AB}} (4\pi)^k \iint_{\substack{0 < u_1 < v_1 < \dots < u_{k-1} < v_{k-1} < u_k < v_k < t \\ v_k < \sigma < t}} d\mathbf{u} d\mathbf{v} d\sigma \int_{(\mathbb{R}^2)^{2k+1}} d\mathbf{x} d\mathbf{y} \\
&\quad \prod_{i=1}^k G_\vartheta(v_i - u_i, y_i - x_i) \prod_{E \in \{A,B,C,D\}} \Theta^E(\mathbf{u}, \mathbf{v}, \mathbf{x}, \mathbf{y}) p_{\sigma - v_k + \varepsilon}(z - y_k)^2 \psi(z)^2 \psi(y_{k-1})^2. \tag{6.2}
\end{aligned}$$

Lemma 6.3. Let $\phi \in C_c(\mathbb{R}^2)$ and $\psi \in C_b^2(\mathbb{R}^2)$. For each $t \geq 0$,

$$\begin{aligned}
& \lim_{N \rightarrow \infty} E [\langle M^{N,\phi}(\psi) \rangle_t^2] \\
&= 2 \sum_{k \geq 2} \sum_{\substack{\mathbf{s} \in \tilde{\mathcal{P}}_f \\ |\mathbf{s}|=k, \\ s_{k-1}=AB, s_k=CD}} (4\pi)^k \iint_{\substack{0 < u_1 < v_1 < \dots < u_{k-1} < v_{k-1} < u_k < v_k < t}} d\mathbf{u} d\mathbf{v} \int_{(\mathbb{R}^2)^{2k}} d\mathbf{x} d\mathbf{y} \\
&\quad \prod_{i=1}^k G_\vartheta(v_i - u_i, y_i - x_i) \prod_{E \in \{A,B,C,D\}} \Theta^E(\mathbf{u}, \mathbf{v}, \mathbf{x}, \mathbf{y}) \psi(y_{k-1})^2 \psi(y_k)^2. \tag{6.3}
\end{aligned}$$

We give an outline of the proof of Lemma 6.2 and omit the proofs of Lemma 6.1 and 6.3 since the argument are almost the same.

Remark 6.4. The summations in (6.1)-(6.3) converge absolutely. It follows from the following alternative representation of (2.14) for $h = 4$:

$$\begin{aligned}
& (2.14) \\
&= \int_{(\mathbb{R}^2)^4} \prod_{E \in \{A,B,C,D\}} \phi(x_E) p_t(x_E, y_E) \psi(y_E) d\mathbf{x} d\mathbf{y} \\
&+ \sum_{k \geq 1} \sum_{\substack{\mathbf{s} \in \tilde{\mathcal{P}}_f \\ |\mathbf{s}|=k}} (4\pi)^k \int \dots \int_{\substack{0 < u_1 < v_1 < \dots < u_k < v_k < t}} d\mathbf{u} d\mathbf{v} \int_{(\mathbb{R}^2)^{2k}} d\mathbf{x} d\mathbf{y} \\
&\quad \prod_{i=1}^k G_\vartheta(v_i - u_i, y_i - x_i) \prod_{E \in \{A,B,C,D\}} \Theta^E(\mathbf{u}, \mathbf{v}, \mathbf{x}, \mathbf{y}) \prod_{E \in \{A,B,C,D\}} \Psi_{t - v_{kE}^E}(y_{kE}^E). \tag{6.4}
\end{aligned}$$

In (6.1), we may take $\psi \equiv 1$ and $\phi \geq 0$. Also, we have $\int_{v_{k-1} < \sigma < t} d\sigma \int_{\mathbb{R}^2} p_{\sigma - v_{kA}^A + \varepsilon}(z - y_{kA}^A) p_{\sigma - v_{kB}^B + \varepsilon}(z - y_{kB}^B) dz \leq C_\varepsilon$ uniformly in v_{k-1} , $\varepsilon > 0$, and $x, y \in \mathbb{R}^2$. Then, this upper bound has the same form as (6.4).

6.1 Proof of Lemma 6.2

We first give the chaos expansion of the expectation of

$$E \left[\left(\int_0^{\frac{|Nt|}{N}} \int_{\mathbb{R}^2} \bar{Z}_{N;s}^\phi (p_\varepsilon(\cdot - z))^2 \psi(z)^2 dz \right) \langle M^{N,\phi}(\psi) \rangle_t \right]$$

in a similar way to the argument in Section 4. We use the label A, B derived from the “random walks” in $\int_0^{\frac{|Nt|}{N}} \int_{\mathbb{R}^2} \bar{Z}_{N;s}^\phi (p_\varepsilon(\cdot - z))^2 \psi(z)^2 dz$ and C, D derived from the “random walks” in $\langle M^{N,\phi}(\psi) \rangle_t$.

We remark that after the last intersection between A and B , each of them may meet C or D but after the last intersection between C and D , neither C nor D will meet other particles. Thus, $\mathfrak{s} \in \mathcal{P}_f$ contributing the chaos expansion should satisfy one of

- (1) $\mathfrak{s}_{|\mathfrak{s}|} = CD$
- (2) $\mathfrak{s}_{|\mathfrak{s}|-1} = CD$ and $\mathfrak{s}_{|\mathfrak{s}|} = AB$.

As we mentioned in Remark 4.4, quadruple intersections in the chaos expansion of moments are negligible. Therefore, we have the following representation of the moment. We omit its proof since it is almost the same as the discussion in (4.9).

Lemma 6.5. *Let $\phi \in C_c(\mathbb{R}^2)$ and $\psi \in C_b^2(\mathbb{R}^2)$. For each $t \geq 0$, we have*

$$\begin{aligned} & E \left[\left(\int_0^{\frac{|Nt|}{N}} \int_{\mathbb{R}^2} \bar{Z}_{N;s}^\phi (p_\varepsilon(\cdot - z))^2 \psi(z)^2 dz \right) \langle M^{N,\phi}(\psi) \rangle_t \right] \\ &= \frac{1}{N^5} \sum_{k \geq 1} \sum_{\substack{\mathfrak{s} \in \mathcal{P}_f \\ |\mathfrak{s}|=k, s_k=CD}} \sum_{x_1, y_1, \dots, x_k, y_k} \sum_{\substack{(m_1, n_1, \dots, m_k, n_k) \in \check{T}_N(\mathfrak{s}, u, v) \\ n_{k-1} \leq u \leq Nt}} \\ & \quad \prod_{i=1}^n U(n_i - m_i, y_i - x_i) \prod_{E \in \{A, B, C, D\}} \tilde{\Theta}^{(N)}(\mathbf{m}, \mathbf{n}, \mathbf{x}, \mathbf{y}) \psi_N(y_k)^2 \int dz Q_A(\mathbf{y}, u, \varepsilon, \Psi, z) Q_B(\mathbf{y}, u, \varepsilon, \Psi, z) \\ &+ \frac{1}{N^5} \sum_{k \geq 1} \sum_{\substack{\mathfrak{s} \in \mathcal{P}_f \\ |\mathfrak{s}|=k, s_{k-1}=CD, s_k=AB}} \sum_{x_1, y_1, \dots, x_k, y_k} \sum_{\substack{(m_1, n_1, \dots, m_k, n_k) \in \check{T}_N(\mathfrak{s}, u, v) \\ n_k < u \leq Nt}} \\ & \quad \prod_{i=1}^n U(n_i - m_i, y_i - x_i) \prod_{E \in \{A, B, C, D\}} \tilde{\Theta}^{(N)}(\mathbf{m}, \mathbf{n}, \mathbf{x}, \mathbf{y}) \psi_N(y_k)^2 Q_A(\mathbf{y}, u, \varepsilon, \Psi, z) Q_B(\mathbf{y}, u, \varepsilon, \Psi, z) + o(1) \quad (6.5) \end{aligned}$$

where $\check{T}_N(u, v)$ is the set of time sequences $(m_1, n_1, \dots, m_{|\mathfrak{s}|}, n_{|\mathfrak{s}|})$ which satisfy the followings:

- (\check{T} -1) m_i, n_i are associated with the stretch s_i for $1 \leq i \leq |\mathfrak{s}|$, which represents the start time and the end time of the stretch.
- (\check{T} -2) $1 \leq m_1 \leq n_1 \leq m_2 \leq n_2 \leq \dots \leq m_{|\mathfrak{s}|} \leq n_{|\mathfrak{s}|}$.
- (\check{T} -3) If s_i and s_{i+1} are not a couple, then $n_i < m_{i+1}$. Otherwise, $n_i = m_{i+1}$ is allowed.

Also, we set

$$\begin{aligned} \tilde{\Theta}^{(N)}(\mathbf{m}, \mathbf{n}, \mathbf{x}, \mathbf{y}) &= q_{m_1^E}(\phi_N, x_1^E) \prod_{j=1}^{k^E-1} q_{m_{j+1}^E - n_j^E}(y_j^E, x_{j+1}^E) \\ Q_E(\mathbf{y}, u, \varepsilon, \Psi, z) &= \sum_{y \in \mathbb{Z}^2} q_{u - n_k^E}(y_k^E, y) p_\varepsilon\left(\frac{y}{\sqrt{N}} - z\right) \psi(z) \quad \text{for } E = A, B, \end{aligned}$$

where we write $m_j^E = m_{i_j^E}$, $n_j^E = n_{i_j^E}$, $x_j^E = x_{i_j^E}$, and $y_j^E = y_{i_j^E}$.

Thus, it is enough to see the limit of the right-hand side of (6.5) for the proof of Lemma 6.2. Here, we give an idea of the proof of this convergence since it is almost the same as the proof of [CSZ19b, (5.3)].

Indeed, we may regard it as ‘‘Riemannian summation’’ for some function due to the following approximation:

$$\begin{aligned} q_n(\phi_N, x) &\sim \int_{\mathbb{R}^2} \phi(y) p_{\frac{n}{N}} \left(\frac{x}{\sqrt{N}} - y \right) dy \\ \sum_{y \in \mathbb{Z}^2} q_n(x, y) p_\varepsilon \left(\frac{y}{\sqrt{N}} - z \right) \psi(z) &\sim p_{\frac{n}{N} + \varepsilon} \left(z - \frac{x}{\sqrt{N}} \right) \psi(z) \\ q_n(x, y) &\sim \frac{1}{N} p_{\frac{n}{N}} \left(\frac{y-x}{\sqrt{N}} \right) \\ U_N(n, z) &\sim \frac{4\pi}{N^2} G_\vartheta \left(\frac{n}{N}, \frac{x}{\sqrt{N}} \right). \end{aligned}$$

In particular, we can find that the approximations of $\prod_E \tilde{\Theta}^{(N)}(\mathbf{m}, \mathbf{n}, \mathbf{x}, \mathbf{y})$ and $\prod_{i=1}^n U(n_i - m_i, y_i - x_i)$ yield the factor $\frac{1}{N^{\sum_{E \in \{A, B, C, D\}} (k^E - 1)}} = \frac{1}{N^{2k-4}}$ and $\frac{1}{N^{2k}}$, respectively, so we obtain the factor $\frac{1}{N^{4k+1}}$.

To prove the convergence, we first look at the second term of (6.5) with the near diagonal sets are cut off, i.e.

$$\left\{ \begin{array}{l} n_i - m_i \geq \varepsilon N, \quad (1 \leq i \leq |\mathbf{s}|), \\ m_{i+1} - n_i \geq \varepsilon N, \quad (0 \leq i \leq |\mathbf{s}| - 1), \\ u - n_{|\mathbf{s}|} > \varepsilon N \end{array} \right\}$$

for some fixed $\varepsilon > 0$. It approximates (6.5) uniformly in N since we know that the boundedness of the fourth moment of $\bar{Z}_{N;s}^\phi(1)$ and the second moment of $\langle M^{N,\phi}(\psi) \rangle_t$.

Also, we can find from Remark 6.4 that the second term of (6.2) is approximated by the one restricted by

$$\left\{ \begin{array}{l} v_i - u_i > \varepsilon, \quad (1 \leq i \leq |\mathbf{s}|), \\ u_{i+1} - v_i > \varepsilon, \quad (0 \leq i \leq |\mathbf{s}| - 1), \\ u - v_{|\mathbf{s}|} > \varepsilon \end{array} \right\}.$$

Similarly to the arguments in [CSZ19b, (5.3)], we need to consider the summations or integrals with the restricted spatial variables \mathbf{x} and \mathbf{y} to the set

$$\begin{aligned} &\left\{ \begin{array}{l} |x_1| \leq M\sqrt{N}, |y_i - x_i| \leq M\sqrt{N}, \quad (1 \leq i \leq |\mathbf{s}|), \\ |x_{i+1} - y_i| \leq M\sqrt{N}, \quad (0 \leq i \leq |\mathbf{s}| - 1) \end{array} \right\} && \text{for (6.2)} \\ &\left\{ \begin{array}{l} |x_1| \leq M, |y_i - x_i| \leq M, \quad (1 \leq i \leq |\mathbf{s}|), \\ |x_{i+1} - y_i| \leq M, \quad (0 \leq i \leq |\mathbf{s}| - 1) \end{array} \right\} && \text{for (6.5)} \end{aligned}$$

for large $M > 0$.

Proof of Lemma 3.14. Lemma 6.1-6.3 yield that

$$\lim_{N \rightarrow \infty} E \left[\left(\int_0^{\frac{|\mathbf{N}_t|}{N}} \left(\frac{4\pi}{-\log \varepsilon} \int_{\mathbb{R}^2} \bar{Z}_{N;s}^\phi(p_\varepsilon(\cdot - z))^2 \psi(z)^2 dz - \frac{\sigma_N^2}{N} \sum_{y \in \mathbb{Z}^2} \bar{Z}_{N;[Ns]}^\phi(y)^2 \psi_N(y)^2 \right) ds \right)^2 \right] \quad (6.6)$$

$$= \frac{(4\pi)^2}{(-\log \varepsilon)^2} (6.1) - 2 \frac{4\pi}{-\log \varepsilon} (6.2) + (6.3). \quad (6.7)$$

Thus, it is enough to see

$$\frac{(4\pi^2)^2}{(-\log \varepsilon)^2} (6.1) - 2 \frac{4\pi^2}{-\log \varepsilon} (6.2) + (6.3) \rightarrow 0$$

as $\varepsilon \rightarrow 0$.

For (6.1), we first remark that

$$\begin{aligned} & \frac{1}{-\log \varepsilon} \left| \int_{v_{k^A}^A \vee v_{k^B}^B < \sigma < t} d\sigma \int_{\mathbb{R}^2} dz p_{\sigma - v_{k^A}^A + \varepsilon}(z - y_{k^A}^A) p_{\sigma - v_{k^B}^B + \varepsilon}(z - y_{k^B}^B) \Psi(z)^2 \right| \\ & \leq \frac{1}{-\log \varepsilon} \|\Psi\|_\infty \int_{v_{k^A}^A \vee v_{k^B}^B < \sigma < t} d\sigma p_{2\sigma - v_{k^A}^A - v_{k^B}^B + 2\varepsilon}(0) \leq \frac{\|\Psi\|_\infty^2}{2\pi} C_t \end{aligned} \quad (6.8)$$

for $0 < v_{k^A}^A \vee v_{k^B}^B < t$ and some $C_t > 0$. Moreover, we find that

$$\begin{aligned} & \frac{1}{-\log \varepsilon} \int_{v_{k^A}^A \vee v_{k^B}^B < \sigma < t} d\sigma \int_{\mathbb{R}^2} dz p_{\sigma - v_{k^A}^A + \varepsilon}(z - y_{k^A}^A) p_{\sigma - v_{k^B}^B + \varepsilon}(z - y_{k^B}^B) \Psi(z)^2 \\ & \rightarrow \begin{cases} \frac{1}{4\pi} \Psi(v_{k^A}^A)^2 & \text{if } v_{k^A}^A = v_{k^B}^B \text{ and } y_{k^A}^A = y_{k^B}^B \Leftrightarrow k^A = k^B \\ 0 & \text{otherwise.} \end{cases} \end{aligned}$$

by Lemma 3.15. It does hold for C, D .

In particular, they converge to $\frac{1}{4\pi} \Psi(z_A)^2$ and $\frac{1}{4\pi} \Psi(z_C)^2$ if and only if $k_A = k_B$ and $k_C = k_D$ ($\Leftrightarrow (k^A, k^B, k^C, k^D) = (k-1, k-1, k, k)$ or $(k, k, k-1, k-1)$).

The dominated convergence theorem yields

$$\begin{aligned} & \frac{1}{(-\log \varepsilon)^2} (6.1) \\ & \rightarrow \sum_{k \geq 2} \sum_{\substack{\mathbf{s} \in \widetilde{\mathcal{D}}_f \\ |\mathbf{s}|=k \\ s_{k-1}=AB, s_k=CD}} (4\pi)^{k-2} \int \cdots \int_{0 < u_1 < v_1 < \cdots < u_k < v_k < t} d\mathbf{u} d\mathbf{v} \int_{(\mathbb{R}^2)^{2k}} d\mathbf{x} d\mathbf{y} \\ & \quad \prod_{i=1}^k G_\partial(v_i - u_i, y_i - x_i) \prod_{E \in \{A, B, C, D\}} \Theta^E(\mathbf{u}, \mathbf{v}, \mathbf{x}, \mathbf{y}) \prod_{E \in \{A, B, C, D\}} \Psi(y_{k-1})^2 \Psi(y_k)^2 \\ & + \sum_{k \geq 2} \sum_{\substack{\mathbf{s} \in \widetilde{\mathcal{D}}_f \\ |\mathbf{s}|=k \\ s_{k-1}=CD, s_k=AB}} (4\pi)^{k-2} \int \cdots \int_{0 < u_1 < v_1 < \cdots < u_k < v_k < t} d\mathbf{u} d\mathbf{v} \int_{(\mathbb{R}^2)^{2k}} d\mathbf{x} d\mathbf{y} \\ & \quad \prod_{i=1}^k G_\partial(v_i - u_i, y_i - x_i) \prod_{E \in \{A, B, C, D\}} \Theta^E(\mathbf{u}, \mathbf{v}, \mathbf{x}, \mathbf{y}) \prod_{E \in \{A, B, C, D\}} \Psi(y_{k-1})^2 \Psi(y_k)^2 \\ & = \frac{1}{(4\pi)^2} (6.3) \end{aligned}$$

Applying the same argument to (6.2), we obtain that

$$\begin{aligned}
& \frac{1}{(-\log \varepsilon)} (6.2) \\
& \rightarrow \sum_{k \geq 2} \sum_{\substack{\mathbf{s} \in \widetilde{\mathcal{P}}_f \\ |\mathbf{s}|=k \\ s_{k-1}=AB, s_k=CD}} (4\pi)^{k-1} \int \cdots \int_{0 < u_1 < v_1 < \cdots < u_k < v_k < t} d\mathbf{u} d\mathbf{v} \int_{(\mathbb{R}^2)^{2k}} d\mathbf{x} d\mathbf{y} \\
& \quad \prod_{i=1}^k G_{\vartheta}(v_i - u_i, y_i - x_i) \prod_{E \in \{A, B, C, D\}} \Theta^E(\mathbf{u}, \mathbf{v}, \mathbf{x}, \mathbf{y}) \prod_{E \in \{A, B, C, D\}} \psi(y_{k-1})^2 \psi(y_k)^2 \\
& + \sum_{k \geq 2} \sum_{\substack{\mathbf{s} \in \widetilde{\mathcal{P}}_f \\ |\mathbf{s}|=k \\ s_{k-1}=CD, s_k=AB}} (4\pi)^{k-1} \int \cdots \int_{0 < u_1 < v_1 < \cdots < u_k < v_k < t} d\mathbf{u} d\mathbf{v} \int_{(\mathbb{R}^2)^{2k}} d\mathbf{x} d\mathbf{y} \\
& \quad \prod_{i=1}^k G_{\vartheta}(v_i - u_i, y_i - x_i) \prod_{E \in \{A, B, C, D\}} \Theta^E(\mathbf{u}, \mathbf{v}, \mathbf{x}, \mathbf{y}) \prod_{E \in \{A, B, C, D\}} \psi(y_{k-1})^2 \psi(y_k)^2 \\
& = \frac{1}{4\pi} (6.3).
\end{aligned}$$

□

Proof of (1.16) in Theorem 1.18. It is enough to show that

$$\lim_{\varepsilon \rightarrow 0} E \left[\left(\frac{4\pi}{-\log \varepsilon} \int_0^t \int_{\mathbb{R}^2} \mathcal{Z}_s^{\vartheta, \phi} (p_\varepsilon(\cdot - z))^2 \psi(z)^2 dz ds - \langle \mathcal{M}^{\vartheta, \phi}(\psi) \rangle_t \right)^2 \right] = 0.$$

Then, we can see that the expectations is give by (6.3) with $\psi \in \mathcal{B}_b(\mathbb{R}^2)$. □

Remark 6.6. In Theorem 1.11, quadratic variation is approximated by using $\mathcal{Z}_s^{\vartheta, \phi}(p_\varepsilon(\cdot - x))$. However, we can approximate it by using $\mathcal{Z}_s^{\vartheta, \phi}\left(\frac{1}{\varepsilon} f\left(\frac{\cdot - x}{\sqrt{\varepsilon}}\right)\right)$ with $f \in C_c^+(\mathbb{R}^2)$ satisfying $\int_{\mathbb{R}^2} f(x) dx = 1$.

Indeed, we can modify the proof by using the following lemma instead of Lemma 3.15

Lemma 6.7. Let $\psi \in C_b^2(\mathbb{R}^2)$, $f \in C_c^+(\mathbb{R}^2)$, and $T > 0$. Then, for each $0 < t < T$, there exists $C_{T, f, \psi}$ such that

$$\sup_{0 < \varepsilon < \frac{1}{2}} \left| \frac{-1}{\log \varepsilon} \int_{\mathbb{R}^2} dz \int_0^t ds \int_{\mathbb{R}^2 \times \mathbb{R}^2} d\mathbf{w} d\mathbf{w}' p_s(\mathbf{w} - x) p_s(\mathbf{w}' - x) \frac{1}{\varepsilon} f\left(\frac{\mathbf{w} - z}{\sqrt{\varepsilon}}\right) \frac{1}{\varepsilon} f\left(\frac{\mathbf{w}' - z}{\sqrt{\varepsilon}}\right) \psi(z) dz \right| \leq C_{T, f, \psi} \quad (6.9)$$

and

$$\lim_{\varepsilon \rightarrow 0} \frac{-1}{\log \varepsilon} \int_{\mathbb{R}^2} dz \int_0^t ds \int_{\mathbb{R}^2 \times \mathbb{R}^2} d\mathbf{w} d\mathbf{w}' p_s(\mathbf{w} - x) p_s(\mathbf{w}' - x) \frac{1}{\varepsilon} f\left(\frac{\mathbf{w} - z}{\sqrt{\varepsilon}}\right) \frac{1}{\varepsilon} f\left(\frac{\mathbf{w}' - z}{\sqrt{\varepsilon}}\right) \psi(z) dz = \psi(x) \quad (6.10)$$

for each $x \in \mathbb{R}^2$.

Proof. (6.9) follows from (3.16) and there exists a constant $C > 0$ such that $f(x) \leq Cp_1(x)$ for any $x \in \mathbb{R}^2$.

For (6.10), we will see that

$$\begin{aligned}
& \int_{\mathbb{R}^2} dz \int_0^t ds \int_{\mathbb{R}^2 \times \mathbb{R}^2} dw dw' p_s(w-x) p_s(w'-x) \frac{1}{\varepsilon} f\left(\frac{w-z}{\sqrt{\varepsilon}}\right) \frac{1}{\varepsilon} f\left(\frac{w'-z}{\sqrt{\varepsilon}}\right) \psi(z) dz \\
&= \int_{\mathbb{R}^2} dz \int_0^t ds \int_{\mathbb{R}^2 \times \mathbb{R}^2} dy dy' p_s(z + \sqrt{\varepsilon}y - x) p_s(z + \sqrt{\varepsilon}y' - x) f(y) f(y') \psi(z) dz \\
&= \varepsilon \int_{\mathbb{R}^2} d\tilde{z} \int_0^t ds \int_{\mathbb{R}^2 \times \mathbb{R}^2} dy dy' p_s(\sqrt{\varepsilon}(y + \tilde{z})) p_s(\sqrt{\varepsilon}(y' + \tilde{z})) f(y) f(y') \psi(x + \sqrt{\varepsilon}\tilde{z}) d\tilde{z} \\
&= \int_{\mathbb{R}^2} d\tilde{z} \int_0^{\frac{t}{\varepsilon}} du \int_{\mathbb{R}^2 \times \mathbb{R}^2} dy dy' p_u(y + \tilde{z}) p_u(y' + \tilde{z}) f(y) f(y') \psi(x + \sqrt{\varepsilon}\tilde{z}) d\tilde{z} \\
&= \int_{\mathbb{R}^2} d\tilde{z} \int_0^{\frac{t}{\varepsilon}} du \int_{\mathbb{R}^2 \times \mathbb{R}^2} dy dy' p_u(y + \tilde{z}) p_u(y' + \tilde{z}) f(y) f(y') (\psi(x) + O(\sqrt{\varepsilon})) d\tilde{z},
\end{aligned}$$

where $O(\sqrt{\varepsilon})$ is uniformly dominated by $C\sqrt{\varepsilon}$ for a constant $C > 0$. Moreover,

$$\begin{aligned}
& \int_{\mathbb{R}^2} d\tilde{z} \int_0^{\frac{t}{\varepsilon}} du \int_{\mathbb{R}^2 \times \mathbb{R}^2} dy dy' p_u(y + \tilde{z}) p_u(y' + \tilde{z}) f(y) f(y') \psi(x) d\tilde{z} \\
&= \psi(x) \int_0^{\frac{t}{\varepsilon}} du \int_{\mathbb{R}^2 \times \mathbb{R}^2} dy dy' p_{2u}(y - y') f(y) f(y') \\
&= \frac{\psi(x)}{4\pi} \int_{\mathbb{R}^2 \times \mathbb{R}^2} dy dy' f(y) f(y') \int_{\frac{\varepsilon|y-y'|^2}{4t}}^{\infty} \frac{e^{-u}}{u} du.
\end{aligned}$$

Then, (6.10) follows from l'Hôpital's rule. □

7 Peaks of $\mathcal{Z}_t^{\vartheta, \phi}(dx)$

It is known that $\mathcal{Z}_t^{\vartheta, \phi}(dx)$ is singular with respect to Lebesgue measure [CSZ24, Theorem 10.5]. It follows from the fact that $\frac{1}{\pi\delta^2} \mathcal{Z}_t^{\vartheta, \phi}(1_{B(x, \delta)}(\cdot))$ converges to 0 for Lebesgue a.e. $x \in \mathbb{R}^2$ ([CSZ24, (10.9)]).

Thus, it follows that there exists $(t, x) \in (0, \infty) \times \mathbb{R}^2$ such that

$$\frac{1}{\pi\delta^2} \mathcal{Z}_t^{\vartheta, \phi}(1_{B(x, \delta)}(\cdot)) \text{ diverges as } \delta \rightarrow 0.$$

Furthermore, [CSZ24, Theorem 10.6] says that for any $t > 0$ and $\vartheta \in \mathbb{R}$ $\mathcal{Z}_t^{\vartheta, \phi}(dx)$ belongs to $\mathcal{C}^{0-} := \bigcap_{\varepsilon > 0} \mathcal{C}^{-\varepsilon}$, where $\mathcal{C}^{-\varepsilon}$ is the negative Besov-Hölder space of order $-\varepsilon$ in the sense of [FM17, Definition 2.1].

In this section, we will give a ‘‘typical order of peak’’ of $\mathcal{Z}_t^{\vartheta, \phi}(dx)$.

Fix $f \in C_c^+(\mathbb{R}^2)$ with $\int_{\mathbb{R}^2} f(x) dx = 1$. We define a random set

$$\mathcal{F}_{s,t}(A, f, \lambda, \varepsilon) := \left\{ (r, x) : r \in [s, t], x \in A, \mathcal{Z}_r^{\vartheta, \phi}(f_\varepsilon(\cdot - x)) \geq \lambda \log \frac{1}{\varepsilon} \right\} \quad \text{for } \lambda > 0, \varepsilon > 0.$$

where $A \subset \mathcal{B}(\mathbb{R}^2)$ is a Borel set with finite Lebesgue measure and $f_\varepsilon(x) = \frac{1}{\varepsilon} f\left(\frac{x}{\varepsilon}\right)$.

Theorem 7.1. Fix $\vartheta \in \mathbb{R}$ and $\phi \in C_c^+(\mathbb{R}^2)$ with $\phi \not\equiv 0$. Let $A \subset \mathbb{R}^2$ be an open set and $0 \leq s < t < \infty$.

(1) We have

$$\overline{\lim}_{\lambda \rightarrow \infty} \overline{\lim}_{\varepsilon \rightarrow 0} \iint_{\mathcal{F}_{s,t}(A, f, \lambda, \varepsilon)} \mathcal{Z}_u^{\vartheta, \phi}(f_\varepsilon(\cdot - x)) dx du = 0 \quad \text{a.s.}$$

(2) There exists a non-random decreasing sequence $\{\varepsilon_n\}_{n \geq 1}$ with $\varepsilon_n \rightarrow 0$ such that

$$P\left(\bigcup_{\lambda > 0} \overline{\lim}_{n \rightarrow \infty} \mathcal{T}_{s,t}(A, f, \lambda, \varepsilon_n) \text{ is not empty}\right) > 0.$$

We can find that the peaks of $\mathcal{Z}_t^{\vartheta, \phi}(f_\varepsilon(\cdot - x))$ are of order $\log \frac{1}{\varepsilon}$. Thus, we may expect that $\mathcal{Z}_t^{\vartheta, \phi}(dx)$ belongs to the ‘‘logarithmic HaiHölder space’’ $\mathcal{C}^{0, -1}$, where we say $\xi \in \mathcal{S}'(\mathbb{R}^2)$ belongs to $\mathcal{C}^{s, b}$ for $s < 0$ and $b \in \mathbb{R}$ or $s = 0$ and $b < 0$ if ξ belongs to the dual of \mathcal{C}^r with $r = \begin{cases} -[s] & \text{if } b \geq 0 \\ -[s] + 1 & \text{if } b < 0 \end{cases}$ and

$$\|\xi\|_{s, b} := \sup_{\varepsilon \in (0, 1]} \sup_{\substack{f \in \mathcal{C}^r, \\ \text{supp } f \subset B(0, 1), \|f\|_\gamma \leq 1}} \sup_{x \in \mathbb{R}^2} \left| \frac{(1 + \log \frac{1}{\varepsilon})^b}{\varepsilon^s} \left\langle \xi, \frac{1}{\varepsilon^2} f\left(\frac{\cdot - x}{\varepsilon}\right) \right\rangle \right| < \infty.$$

Remark 7.2. The reader may refer to [Hai14b, Definition 3.7] for the definition of \mathcal{C}^γ and $\|\cdot\|_\gamma$. In [Hai14b], he referred the relationship between \mathcal{C}^α and the Besov space $B_{\infty, \infty}^\alpha$. Then, $\mathcal{C}^{s, b}$ is a slight modification of \mathcal{C}^α . To our knowledge, there are no results concerning with the relationship between $\mathcal{C}^{s, b}$ and the generalized Besov space (discussed in e.g. [Mou01, FL06, Alm05]).

We have the following result.

Theorem 7.3. Fix $\vartheta \in \mathbb{R}$, and $\phi \in C_c^+(\mathbb{R}^2)$ with $\phi \not\equiv 0$. Then, $\{\mathcal{Z}_t^{\vartheta, \phi}(dx)\}$ is not a continuous $\mathcal{C}^{0, b}$ -valued process with the uniform-on-compact topology for any $b > -1$.

Proof of Theorem 7.3. We can take $f \in C_c^+(\mathbb{R}^2)$ in the statement in Theorem 7.3 with $f \in \mathcal{C}^\gamma$, $\text{supp}(f) \subset B(0, 1)$ and $\|f\|_\gamma \leq 1$.

Thus, (2) in Theorem 7.3 implies that for $s = 0$ and $b > -1$,

$$\sup_{0 \leq u \leq T} \sup_{\varepsilon \in (0, 1]} \sup_{f \in \mathcal{C}^r, \text{supp } f \subset B(0, 1)} \sup_{x \in \mathbb{R}^2} \left| \left(1 + \log \frac{1}{\varepsilon}\right)^b \mathcal{Z}_u^{\vartheta, \phi}\left(\frac{1}{\varepsilon^2} f\left(\frac{\cdot - x}{\varepsilon}\right)\right) \right| = \infty$$

with positive probability for any $T > 0$. □

Proof of Theorem 7.1. (1) Suppose that there exists $c > 0$ such that

$$\overline{\lim}_{\lambda \rightarrow \infty} \overline{\lim}_{\varepsilon \rightarrow 0} \iint_{\mathcal{T}_{s,t}(A, f, \lambda, \varepsilon)} \mathcal{Z}_u^{\vartheta, \phi}(f_\varepsilon(\cdot - x)) dx du > 0$$

with positive probability.

Then, it is easy to see that

$$\begin{aligned} \langle \mathcal{M}^{\vartheta, \phi}(A) \rangle_t - \langle \mathcal{M}^{\vartheta, \phi}(A) \rangle_s &= - \lim_{\varepsilon \rightarrow 0} \frac{4\pi}{\log \varepsilon} \int_s^t \int_A (\mathcal{Z}_u^{\vartheta, \phi}(f_\varepsilon(\cdot - x)))^2 dx du \\ &\geq \lim_{\varepsilon \rightarrow 0} 4\pi \lambda \iint_{\mathcal{T}_{s,t}(A, f, \lambda, \varepsilon)} \mathcal{Z}_u^{\vartheta, \phi}(f_\varepsilon(\cdot - x)) dx du \end{aligned}$$

for any $\lambda > 0$ with positive probability and hence it is a contradiction.

(2)

Let $B \subset \mathbb{R}^2$ be an open set with $B \subset \bar{B} \subset A$. Let $\psi \in C_b^2(\mathbb{R}^2)$ be a positive function such that

$$0 \leq \psi(x) \leq 1 \quad \text{for } x \in \mathbb{R}^2 \text{ and } \psi(x) = \begin{cases} 0 & \text{for } x \in A^c \\ 1 & \text{for } x \in \bar{B} \end{cases}.$$

We focus on the martingale $\mathcal{M}_t^{\vartheta, \phi}(\psi)$. We can see

$$P(\langle \mathcal{M}^{\vartheta, \phi}(\psi) \rangle_t - \langle \mathcal{M}^{\vartheta, \phi}(\psi) \rangle_s > 0) > 0.$$

Indeed, we have

$$P(\langle \mathcal{M}^{\vartheta, \phi}(\psi) \rangle_t - \langle \mathcal{M}^{\vartheta, \phi}(\psi) \rangle_s > 0) \geq \frac{1}{4} \frac{E[\langle \mathcal{M}^{\vartheta, \phi}(\psi) \rangle_t - \langle \mathcal{M}^{\vartheta, \phi}(\psi) \rangle_s]^2}{E[\langle \mathcal{M}^{\vartheta, \phi}(\psi) \rangle_t - \langle \mathcal{M}^{\vartheta, \phi}(\psi) \rangle_s]^2}$$

from the Paley-Zygmund inequality. Moreover, it follows from Lemma 3.14, (3.13), and Fatous's lemma that the dominator in the right-hand side is bounded. Also, we can find from Corollary 3.13 that the numerator is strictly positive.

Also, we can see from Remark 6.6 that

$$\langle \mathcal{M}^{\vartheta, \phi}(\psi) \rangle_t - \langle \mathcal{M}^{\vartheta, \phi}(\psi) \rangle_s = - \lim_{n \rightarrow \infty} \frac{4\pi}{\log \varepsilon_n} \int_s^t \int_A (\mathcal{Z}_u^{\vartheta, \phi}(f_{\varepsilon_n}(\cdot - x)))^2 \psi(x)^2 dx du, \quad \text{a.s.}, \quad (7.1)$$

for a sequence $\{\varepsilon_n\}_{n \geq 1}$ with $\varepsilon_n \rightarrow 0$.

We set

$$I_{s,t,\lambda}^{(1)}(\varepsilon) := - \frac{4\pi}{\log \varepsilon} \iint_{\mathcal{F}_{s,t}(A,f,\lambda,\varepsilon)} (\mathcal{Z}_u^{\vartheta, \phi}(f_\varepsilon(\cdot - x)))^2 \psi(x)^2 dx du$$

$$I_{s,t,\lambda}^{(2)}(\varepsilon) := - \frac{4\pi}{\log \varepsilon} \iint_{[s,t] \times A \setminus \mathcal{F}_{s,t}(A,f,\lambda,\varepsilon)} (\mathcal{Z}_u^{\vartheta, \phi}(f_\varepsilon(\cdot - x)))^2 \psi(x)^2 dx du.$$

We remark that if $\lim_{n \rightarrow \infty} I_{s,t,\lambda}^{(1)}(\varepsilon_n) > 0$ for some $\lambda > 0$, then $\overline{\lim}_{n \rightarrow \infty} \mathcal{F}_{s,t}(A, f, \lambda, \varepsilon_n)$ is not empty set.

Thus, it is enough to prove that

$$\mathcal{E} := \{\langle \mathcal{M}^{\vartheta, \phi}(\psi) \rangle_t - \langle \mathcal{M}^{\vartheta, \phi}(\psi) \rangle_s > 0\} \stackrel{\text{a.s.}}{\subset} \bigcup_{m \geq 1} \left\{ \lim_{n \rightarrow \infty} I_{s,t,\lambda_m}^{(1)}(\varepsilon_n) > 0 \right\}$$

for $\lambda_m = \frac{1}{m}$.

We retake $\{\varepsilon_n\}_{n \geq 1}$ with $\varepsilon_n \rightarrow 0$ such tht in addition to (7.1),

$$\int_s^t \mathcal{Z}_u^{\vartheta, \phi}(\psi) du = \lim_{\varepsilon_n \rightarrow 0} \int_s^t \int_{\mathbb{R}^2} \mathcal{Z}_u^{\vartheta, \phi}(f_{\varepsilon_n}(\cdot - x)) \psi(x) dx du, \quad \text{a.s.}$$

We set

$$J_{s,t,\lambda}^{(1)}(\varepsilon) := \iint_{\mathcal{F}_{s,t}(A,f,\lambda,\varepsilon)} \mathcal{Z}_u^{\vartheta, \phi}(f_\varepsilon(\cdot - x)) \psi(x) dx du$$

$$J_{s,t,\lambda}^{(2)}(\varepsilon) := \iint_{[s,t] \times A \setminus \mathcal{F}_{s,t}(A,f,\lambda,\varepsilon)} \mathcal{Z}_u^{\vartheta, \phi}(f_\varepsilon(\cdot - x)) \psi(x) dx du.$$

Since we have $-\frac{\mathcal{Z}_u^{\vartheta,\phi}(f_\varepsilon(\cdot-x))}{\log \varepsilon} \leq \lambda$ for $(u,x) \in [s,t] \times A \setminus \mathcal{F}_{s,t}(A,f,\lambda,\varepsilon)$,

$$\begin{aligned} I_{s,t,\lambda}^{(2)}(\varepsilon_n) &= -\frac{4\pi}{\log \varepsilon} \iint_{[s,t] \times A \setminus \mathcal{F}_{s,t}(A,f,\lambda,\varepsilon)} (\mathcal{Z}_u^{\vartheta,\phi}(f_\varepsilon(\cdot-x)))^2 \psi(x)^2 dx du \\ &\leq 4\pi\lambda \iint_{[s,t] \times A \setminus \mathcal{F}_{s,t}(A,f,\lambda,\varepsilon)} \mathcal{Z}_u^{\vartheta,\phi}(f_\varepsilon(\cdot-x)) \psi(x) dx du = 4\pi\lambda J_{s,t,\lambda}^{(2)}(\varepsilon_n). \end{aligned}$$

Since the right-hand side is bounded for $\{\varepsilon_n\}$ and $\lambda > 0$, there exists a random $\lambda > 0$ such that

$$\overline{\lim}_{n \rightarrow \infty} I_{s,t,\lambda}^{(2)}(\varepsilon_n) \leq \frac{1}{2} (\langle \mathcal{M}^{\vartheta,\phi}(\psi) \rangle_t - \langle \mathcal{M}^{\vartheta,\phi}(\psi) \rangle_s),$$

on \mathcal{E} , and hence, it follows that

$$\underline{\lim}_{n \rightarrow \infty} I_{s,t,\lambda}^{(1)}(\varepsilon_n) \geq \frac{1}{2} (\langle \mathcal{M}^{\vartheta,\phi}(\psi) \rangle_t - \langle \mathcal{M}^{\vartheta,\phi}(\psi) \rangle_s).$$

□

It is natural to expect that the values of $\mathcal{Z}_t^{\vartheta,\phi}(f_\varepsilon(\cdot-*))$ of order $-\log \varepsilon$ contributes to $\mathcal{Z}_t^{\vartheta,\phi}(\psi)$ and $\langle \mathcal{M}^{\vartheta,\phi}(\psi) \rangle_t$. That is, we may expect

$$\begin{aligned} \int_s^t \mathcal{Z}_u^{\vartheta,\phi}(\psi) du &\approx \lim_{n \rightarrow \infty} \iint_{\mathcal{F}_{s,t}(\mathbb{R}^2, f, \lambda, \varepsilon_n)^c \cap \mathcal{F}_{s,t}(\mathbb{R}^2, f, \frac{1}{\lambda}, \varepsilon_n)} \mathcal{Z}_u^{\vartheta,\phi}(f_{\varepsilon_n}(\cdot-x)) \psi(x) dx du > 0 \\ \langle \mathcal{M}^{\vartheta,\phi}(\psi) \rangle_t - \langle \mathcal{M}^{\vartheta,\phi}(\psi) \rangle_s &\approx -\lim_{n \rightarrow \infty} \frac{4\pi}{\log \varepsilon_n} \iint_{\mathcal{F}_{s,t}(\lambda, \varepsilon_n)^c \cap \mathcal{F}_{s,t}(\mathbb{R}^2, f, \frac{1}{\lambda}, \varepsilon_n)} \mathcal{Z}_u^{\vartheta,\phi}(f_{\varepsilon_n}(\cdot-x))^2 \psi(x)^2 dx du > 0 \end{aligned}$$

for λ large enough. Let

$$L_{s,t}(f, \varepsilon, \lambda) := \left| \mathcal{F}_{s,t}(\mathbb{R}^2, f, \lambda, \varepsilon_n)^c \cap \mathcal{F}_{s,t}\left(\mathbb{R}^2, f, \frac{1}{\lambda}, \varepsilon_n\right) \right|.$$

Then, we would find that

$$L_{s,t}(f, \varepsilon, \lambda) \approx \frac{1}{\log \frac{1}{\varepsilon}}$$

for large $\lambda > 0$.

Acknowledgements This work was supported by JSPS KAKENHI Grant Number JP22K03351, JP23K22399. The author thanks Prof. Nikos Zygouras for useful comments.

References

- [Alm05] Alexandre Almeida. Wavelet bases in generalized Besov spaces. *J. Math. Anal. Appl.*, 304(1):198–211, 2005.
- [BC98] Lorenzo Bertini and Nicoletta Cancrini. The two-dimensional stochastic heat equation: renormalizing a multiplicative noise. *Journal of Physics A: Mathematical and General*, 31(2):615, 1998.

- [BG97] Lorenzo Bertini and Giambattista Giacomin. Stochastic Burgers and KPZ equations from particle systems. *Communications in mathematical physics*, 183(3):571–607, 1997.
- [Bur73] D. L. Burkholder. Distribution function inequalities for martingales. *Ann. Probability*, 1:19–42, 1973.
- [CC22] Francesco Caravenna and Francesca Cottini. Gaussian limits for subcritical chaos. *Electron. J. Probab.*, 27:Paper No. 81, 35, 2022.
- [CCM20] Francis Comets, Clément Cosco, and Chiranjib Mukherjee. Renormalizing the Kardar-Parisi-Zhang equation in $d \geq 3$ in weak disorder. *J. Stat. Phys.*, 179(3):713–728, 2020.
- [CCM24] Francis Comets, Clément Cosco, and Chiranjib Mukherjee. Space-time fluctuation of the Kardar-Parisi-Zhang equation in $d \geq 3$ and the Gaussian free field. *Ann. Inst. Henri Poincaré Probab. Stat.*, 60(1):82–112, 2024.
- [CD20] Sourav Chatterjee and Alexander Dunlap. Constructing a solution of the $(2 + 1)$ -dimensional KPZ equation. *Ann. Probab.*, 48(2):1014–1055, 2020.
- [CNN22] Clément Cosco, Shuta Nakajima, and Makoto Nakashima. Law of large numbers and fluctuations in the sub-critical and L^2 regions for SHE and KPZ equation in dimension $d \geq 3$. *Stochastic Process. Appl.*, 151:127–173, 2022.
- [CSZ17] Francesco Caravenna, Rongfeng Sun, and Nikos Zygouras. Universality in marginally relevant disordered systems. *Ann. Appl. Probab.*, 27(5):3050–3112, 2017.
- [CSZ19a] Francesco Caravenna, Rongfeng Sun, and Nikos Zygouras. The Dickman subordinator, renewal theorems, and disordered systems. *Electron. J. Probab.*, 24:Paper No. 101, 40, 2019.
- [CSZ19b] Francesco Caravenna, Rongfeng Sun, and Nikos Zygouras. On the moments of the $(2 + 1)$ -dimensional directed polymer and stochastic heat equation in the critical window. *Comm. Math. Phys.*, 372(2):385–440, 2019.
- [CSZ20] Francesco Caravenna, Rongfeng Sun, and Nikos Zygouras. The two-dimensional KPZ equation in the entire subcritical regime. *Annals of Probability*, 48(3):1086–1127, 2020.
- [CSZ23] Francesco Caravenna, Rongfeng Sun, and Nikos Zygouras. The critical 2d Stochastic Heat Flow. *Invent. Math.*, 233(1):325–460, 2023.
- [CSZ24] Francesco Caravenna, Rongfeng Sun, and Nikos Zygouras. The critical 2d stochastic heat flow and related models, 2024.
- [DF94] Donald A. Dawson and Klaus Fleischmann. A super-Brownian motion with a single point catalyst. *Stochastic Process. Appl.*, 49(1):3–40, 1994.
- [DGRZ20] Alexander Dunlap, Yu Gu, Lenya Ryzhik, and Ofer Zeitouni. Fluctuations of the solutions to the KPZ equation in dimensions three and higher. *Probab. Theory Related Fields*, 176(3-4):1217–1258, 2020.
- [EK86] Stewart N. Ethier and Thomas G. Kurtz. *Markov processes*. Wiley Series in Probability and Mathematical Statistics: Probability and Mathematical Statistics. John Wiley & Sons, Inc., New York, 1986. Characterization and convergence.

- [FH14] Peter K. Friz and Martin Hairer. *A course on rough paths*. Universitext. Springer, Cham, 2014. With an introduction to regularity structures.
- [FL06] Walter Farkas and Hans-Gerd Leopold. Characterisations of function spaces of generalised smoothness. *Ann. Mat. Pura Appl. (4)*, 185(1):1–62, 2006.
- [FM17] Marco Furlan and Jean-Christophe Mourrat. A tightness criterion for random fields, with application to the Ising model. *Electron. J. Probab.*, 22:Paper No. 97, 29, 2017.
- [FV10] Peter K. Friz and Nicolas B. Victoir. *Multidimensional stochastic processes as rough paths*, volume 120 of *Cambridge Studies in Advanced Mathematics*. Cambridge University Press, Cambridge, 2010. Theory and applications.
- [GIP15] Massimiliano Gubinelli, Peter Imkeller, and Nicolas Perkowski. Paracontrolled distributions and singular PDEs. *Forum Math. Pi*, 3:e6, 75, 2015.
- [GJ14] Patrícia Gonçalves and Milton Jara. Nonlinear fluctuations of weakly asymmetric interacting particle systems. *Arch. Ration. Mech. Anal.*, 212(2):597–644, 2014.
- [GQT21] Yu Gu, Jeremy Quastel, and Li-Cheng Tsai. Moments of the 2D SHE at criticality. *Probab. Math. Phys.*, 2(1):179–219, 2021.
- [GRZ18] Yu Gu, Lenya Ryzhik, and Ofer Zeitouni. The Edwards-Wilkinson limit of the random heat equation in dimensions three and higher. *Comm. Math. Phys.*, 363(2):351–388, 2018.
- [Hai14a] M. Hairer. Solving the KPZ equation. In *XVIIth International Congress on Mathematical Physics*, page 419. World Sci. Publ., Hackensack, NJ, 2014.
- [Hai14b] M. Hairer. A theory of regularity structures. *Invent. Math.*, 198(2):269–504, 2014.
- [JN24] Stefan Junk and Shuta Nakajima. Equivalence of fluctuations of discretized she and kpz equations in the subcritical weak disorder regime, 2024.
- [JS87] Jean Jacod and Albert N Shiryaev. *Limit theorems for stochastic processes*. Springer, 1987.
- [Jun23] Stefan Junk. Fluctuations of partition functions of directed polymers in weak disorder beyond the l^2 -phase, 2023.
- [Jun24] Stefan Junk. Local limit theorem for directed polymers beyond the l^2 -phase, 2024.
- [KPZ86] Mehran Kardar, Giorgio Parisi, and Yi-Cheng Zhang. Dynamic scaling of growing interfaces. *Physical Review Letters*, 56(9):889, 1986.
- [Kup16] Antti Kupiainen. Renormalization group and stochastic PDEs. *Ann. Henri Poincaré*, 17(3):497–535, 2016.
- [LL10] Gregory F. Lawler and Vlada Limic. *Random walk: a modern introduction*, volume 123 of *Cambridge Studies in Advanced Mathematics*. Cambridge University Press, Cambridge, 2010.
- [LZ22] Dimitris Lygkonis and Nikos Zygouras. Edwards-Wilkinson fluctuations for the directed polymer in the full L^2 -regime for dimensions $d \geq 3$. *Ann. Inst. Henri Poincaré Probab. Stat.*, 58(1):65–104, 2022.
- [Mou01] Susana Moura. Function spaces of generalised smoothness. *Dissertationes Math. (Rozprawy Mat.)*, 398:88, 2001.

- [MSZ16] Chiranjib Mukherjee, Alexander Shamov, and Ofer Zeitouni. Weak and strong disorder for the stochastic heat equation and continuous directed polymers in $d \geq 3$. *Electron. Commun. Probab.*, 21:Paper No. 61, 12, 2016.
- [MU18] Jacques Magnen and Jérémie Unterberger. The scaling limit of the KPZ equation in space dimension 3 and higher. *J. Stat. Phys.*, 171(4):543–598, 2018.
- [Mue91] Carl Mueller. On the support of solutions to the heat equation with noise. *Stochastics Stochastics Rep.*, 37(4):225–245, 1991.
- [Per02] Edwin Perkins. Dawson-Watanabe superprocesses and measure-valued diffusions. In *Lectures on probability theory and statistics (Saint-Flour, 1999)*, volume 1781 of *Lecture Notes in Math.*, pages 125–324. Springer, Berlin, 2002.
- [Spi76] Frank Spitzer. *Principles of random walk*, volume Vol. 34 of *Graduate Texts in Mathematics*. Springer-Verlag, New York-Heidelberg, second edition, 1976.
- [Tao11] Terence Tao. *An introduction to measure theory*, volume 126 of *Graduate Studies in Mathematics*. American Mathematical Society, Providence, RI, 2011.
- [Tsa24] Li-Cheng Tsai. Stochastic heat flow by moments, 2024.
- [Wal86] John B. Walsh. An introduction to stochastic partial differential equations. In *École d'été de probabilités de Saint-Flour, XIV—1984*, volume 1180 of *Lecture Notes in Math.*, pages 265–439. Springer, Berlin, 1986.