

Real-Time Streaming Telemetry Based Detection and Mitigation of OOK and Power Interference in Multi-User OSaaS Networks

Agastya Raj⁽¹⁾, Devika Dass⁽¹⁾, Daniel C. Kilper⁽¹⁾, Marco Ruffini⁽¹⁾

⁽¹⁾CONNECT, School of Computer Science and Statistics and of Engineering, Trinity College Dublin, Ireland
rajag@tcd.ie

Abstract: We present a framework to identify and mitigate rogue OOK signals and user-generated power interference in a multi-user Optical-Spectrum-as-a-Service network. Experimental tests on the OpenIreland-testbed achieve up to 89% detection rate within 10 seconds of an interference event. © 2025 The Author(s)

1. Introduction

Recent years have seen a significant shift from fixed-grid optical networks towards more flexible and dynamic optical networking technology such as Elastic Optical Networks (EONs) and recently to Open Line System (OLS). These advancements enable operators to dynamically allocate bandwidth, providing new flexible transport services such as Optical Spectrum as a Service (OSaaS) [1]. OSaaS allows users to lease a defined spectral window in a fiber link, operating multiple optical channels using their respective transceivers while benefiting from reduced costs and operational complexity. Currently, OSaaS is primarily offered to trusted entities [2], such as other network operators. Extending OSaaS to more customers would allow operators to profit from leasing excess capacity in the fibre, while users can access low-cost, high-capacity optical network resources.

However, shared fiber access to third-party customers introduces network vulnerabilities. Inter-channel interference, such as nonlinearity and crosstalk, may arise with dense spectrum allocation, impacting the performance of co-propagating channels [3]. Additionally, if an operator has limited visibility into the customer's allocated spectrum, it becomes challenging to identify which user's activity is causing service disruptions. This lack of visibility can also make it difficult for operators to detect rogue or misconfigured signals, such as On-Off Keying (OOK) signals in a predominantly coherent-optimized system, which may degrade the quality of neighboring channels through mechanisms like Cross Phase Modulation (XPM) [4, 5]. In a recent survey with 25 network operators, 60% of operators were concerned about the power/Power Spectral Density (PSD) within OSaaS, while others were cautious of incompatible signals such as OOK that may be injected into the system [6].

To address these challenges, operators need to develop effective tools to autonomously detect and mitigate impairments caused by OSaaS users. By targeting the impairment source, the operator can address both malicious and non-malicious user behaviors, maintaining Service Level Agreements (SLAs) with other users. Although the inter-channel interactions are complex, Machine Learning (ML) can be leveraged to identify the misbehaving channels. Spectrum-blind configurations provide limited information, such as aggregate power across a spectral block, making it difficult to isolate the source of interference or ensure compliance with SLAs [7]. A spectrum-aware monitoring approach, although beneficial, may be costly or impractical due to excessive filtering penalties or vendor limitations on Reconfigurable Optical Add-Drop Multiplexer (ROADM) configurations.

In this work, we propose an enhanced architecture that enables the safe operation of OSaaS by promptly detecting and mitigating rogue OOK signals introduced by potential customers. Experiments were carried out on a 273 km long Open Line System (OLS) with 4 ROADMs, where one operator provides access to three OSaaS customers, each operating their respective edge ROADM. Our approach employs a hybrid monitoring mechanism using fine power measurements with the internal Optical Channel Monitor (OCM) feature. This is done by selecting adjacent Wavelength Selective Switch (WSS) windows at 6.25 GHz granularity (as explained in more detail in the next section) at the ingress ROADM to enable fine granularity power measurements for each customer within the wider OSaaS windows. Additionally, we leverage a ML framework using streaming telemetry from an operator-managed probe channel to locate the rogue OOK signal. The proposed framework is capable of detecting the rogue signals and resolving power/PSD limit violations due to power increases or interfering ADD/DROP activities [7]. We achieve a detection rate of up to 89% for OOK signals and a complete resolution of power interferences.¹

2. Experimental Setup

The experimental setup was implemented in the OpenIreland Testbed [8], as shown in Fig. 1. The OLS comprises four Lumentum ROADM-20 units with amplification at each node, and 2 Juniper In-Line Amplifier (ILA) units, configured to emulate a metro network with a total topology length of 273 km. In this study, we consider an OSaaS scenario involving three OSaaS end customers, as shown in Fig. 2. User-1 and User-2 are added at Node-1 and dropped at Node-5; while User-3 is added at Node-2 and dropped at Node-4. Each user is assigned a distinct spectral window across three non-overlapping network segments within the OLS, as shown in Fig. 2.

¹This paper is a preprint of a paper submitted to OFC 2025.

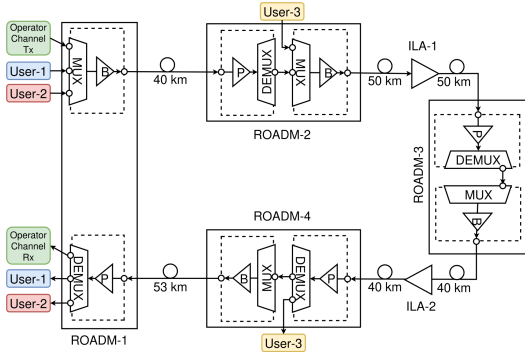


Fig. 1: Experimental Setup

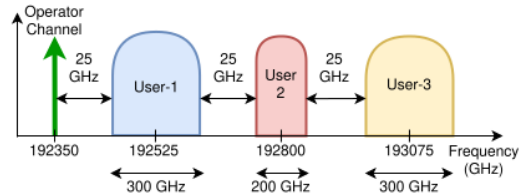


Fig. 2: OSaaS Channel Configuration

Parameter	User-1	User-2	User-3
OSaaS Width (GHz)	300	200	300
Min/Max Power (dBm)	-2.2/11.8	-4.0/9.8	-2.2/11.8
Min/Max PSD (dBm/GHz)	-27.0/-10.8	-27.0/-10.8	-27.0/-10.8

Fig. 3: OSaaS user configurations, and defined SLAs

The experiment uses a heterogeneous mix of data rates and transceiver vendors to emulate a multi-vendor, multi-user OSaaS environment, as defined in Fig. 3. The PSD and power limits have been defined according to the equipment limits for a standard 200 Gbps 16-QAM signal in a 50 GHz grid according to ITU-T G.694.1. To monitor system performance and detect rogue OOK signals, we introduce an operator-managed Teraflex 200 Gbps 16-QAM data channel, spaced 25 GHz away from the customer spectrum. While this is a standard coherent channel used by the operator for data services, its streaming telemetry information is used to monitor nonlinear impairments in the fibre caused by the OSaaS users.

A key feature of this work is that by partitioning the OSaaS spectrum into multiple adjacent 6.25 GHz WSS channels, we can use the ROADM OCM to measure power at that granularity. Since the 6.25 GHz channels are adjacent, this does not cause filtering impairments if carried out only at the ingress ROADM, as the effect is an almost flat spectrum. This also allows for precise targeted actions. For example, the operator could increase the in-WSS Variable Optical Attenuator (VOA) value only on specific 6.25 GHz channels to block just the interfering signal within a customer's spectrum, thereby restoring services for other channels without shutting down the entire spectral block allocated to the customer creating the issue.

Streaming telemetry data is collected every second from the Teraflex probe channel using a gNMI server, which extracts performance monitoring features: Carrier Frequency Offset (CFO), Chromatic Dispersion Compensation (CDC), Differential Group Delay (DGD), optical received power, Optical Signal-to-Noise Ratio (OSNR), pre-FEC Bit Error Rate (BER), and Polarization Dependent Loss (PDL). Additionally, we collect total power measured at the ADD port, and measured power readings per configured WSS channel in each user's ingress ROADM.

3. Impairments introduced by OSaaS users

To investigate the potential impairments from the OSaaS users, we have focused our experiments on three main use cases.

1. **Adding OOK signals in the OSaaS window:** In this case, a 10GB/s OOK signal with 20 GHz width was introduced in user's spectrum at different frequencies. While the issues were previously investigated in [5], we noticed that even a slight increase in the power of an OOK channel(+2 dBm) can lead to severe degradation of the co-propagating coherent channels, with some channels falling below the SD-FEC limit. The primary cause of this performance degradation is XPM, which occurs due to the nonlinear Kerr effect—where the high optical intensity of the OOK signal induces oscillations in the refractive index of the fiber material. The impact of OOK signals on coherent channels is most severe when they are spectrally close, with effects diminishing beyond 500 GHz of spectral separation. Additionally, OOK channels can also cause small effects on channels with spectral separation up to 1 THz due to Cross Polarization Modulation (CPM), resulting in sudden fluctuations in the State of Polarization (SOP) of the affected channels [4]. In polarization-sensitive receivers, these SOP changes can manifest as amplitude fluctuations, which can lead to fluctuations in Bit Error Rate (BER) over time. In our setup, the operator relies on the performance monitoring data from their own channel outside the OSaaS windows to detect such impairments.

2. **Increase in power across the OSaaS window:** In this case, the user's total spectrum power was systematically increased in 1 dB increments up to 15 dB, causing a gradual increase in impairments in the other channels.

3. **ADD/DROP Impairment:** In this case, the total power of the user spectrum remains constant, but a number of channels within the spectrum is varied. User spectra with a fewer number of channels therefore have higher per channel power for the same overall power across the OSaaS window. Higher channel power increases inter-channel non-linear interference.

4. Framework and Results

The architecture of the proposed model is shown in Fig. 4. The power increase is monitored using the total power at the ingress ROADM, which has the possibility to attenuate the user's spectrum, operating the per-channel VOAs in the ROADM, when detecting a power higher than the allowed limit. PSD is derived through OCM power

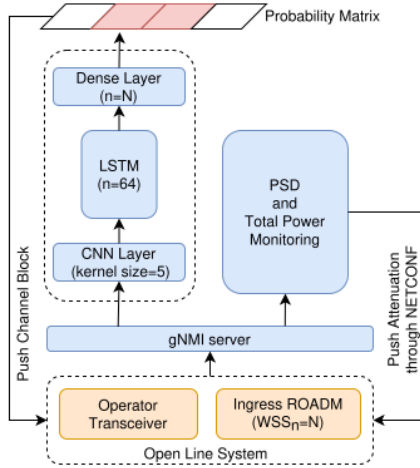


Fig. 4: Modeling and Mitigation framework

measurement at 6.25GHz granularity. For the ADD/DROP interference, the PSD is calculated for each configured WSS channel and attenuated, using the same procedure, when above the limit.

Detecting the position of interfering OOK signal in OSaaS is complex, since it requires a temporal model to identify fluctuations in BER, and a spatial model to predict the spectral location. In addition, the 6.25 GHz channel granularity for OCM measurements means the signal may partially occupy the channels at the edge of the signal. To address this, we use a CNN-LSTM segmentation model to predict WSS segment containing the OOK channel. OCM readings from the ingress ROADMs WSS are input in a 1D-CNN layer with a kernel size of 5, which extracts spatial features. This is concatenated with the telemetry data of the operator channel, and fed to a single-layer LSTM model with 64 hidden units. The resulting output is passed to a single dense layer with neurons corresponding to the number of WSS channels, according to each user. The dense layer uses a sigmoid function to produce probabilities for each WSS channel, indicating the likelihood of containing an OOK signal. A Binary Cross Entropy loss function with Adam Optimizer ($\text{lr}=1 \times 10^{-3}$) is used to train the model over 3000 epochs.

The trained model is deployed in real-time to analyze telemetry data from the gNMI server, with outputs directly triggering automated mitigation steps such as channel attenuation and blocking through NETCONF. To evaluate its performance, the model was tested using interferences introduced during a separate operational window. To emulate real-world scenarios, commercial 10 Gbps OOK signals from ADTRAN metro transmission system are used at different frequencies to test the detection accuracy and latency of the framework.

Key performance metrics on the test set are presented in Fig. 5 for each of the three users, evaluated at a model probability threshold of 50%. In this work, we trained detection models for the three OSaaS users independently. The model achieves a 100% recall score for user-1, with 94% and 89% recall scores for user-2 and user-3 respectively. The difference in performance can be attributed to the difference in spectral distance between the operator channels and the users' spectrum, which affects the severity of interference over time. Fig. 6 shows the F1-score over the duration of the OOK interference. The results show that user spectra near the operator channel can detect interference much faster than the users with higher spectral distance. However, all models achieve an F1-score $> 80\%$ within 10 seconds. Here, we chose a probability threshold of 50% for immediate detection and control, but different responses can be triggered based on the model's probability. When the probability of detecting an OOK signal exceeds a pre-defined threshold (e.g., 0.5), an alarm can be raised for alert, while automatic mitigation actions such as direct channel blocking can be performed for higher probability scores. Additionally, we achieved 100% accuracy in mitigating power increase and ADD/DROP interferences.

5. Conclusions

In this work, we present a real-time framework to detect and mitigate rogue OOK signals and power interference in a multi-user OSaaS scenario. By leveraging a hybrid monitoring mechanism and streaming telemetry, we achieve up to 89% recall scores in detecting rogue OOK signals within 10 seconds, offering OSaaS operators a potential tool to ensure service quality.

Acknowledgments. Work supported by Science Foundation Ireland (SFI) grants 12/RC/2276 p2, 18/RI/5721, 13/RC/2077 p2 and 22/FFP-A/10598

References

1. K. Kaeval et al., "Characterization of the optical spectrum as a service," JOCN, 14(5), May 2022
2. GEANT, "Moldovan and Ukrainian R&E communities benefit from new 'spectrum' link with GÉANT", press release, 04/10/2021
3. Y. Pointurier, "Design of Low-Margin Optical Networks," JOCN, 9(1), Jan. 2017
4. O. Bertran-Pardo et al., "Overlaying 10 Gb/s Legacy Optical Networks With 40 and 100 Gb/s Coherent Terminals," JLT, Jul. 2012
5. A. Bononi et al., "Cross-Phase Modulation Induced by OOK Channels on Higher-Rate DQPSK and Coherent QPSK Channels," JLT, Sep. 2009.
6. K. Kaeval, "Optical Spectrum Services in Open Disaggregated Transport Networks", PhD Dissertation, May 2023
7. A. Raj et al., "Interference Identification in Multi-User Optical Spectrum as a Service using Convolutional Neural Networks," ECOC 2024.
8. OpenIreland testbed (CONNECT), funded by Science Foundation Ireland www.openireland.eu

User	Precision	Recall	F1 Score	Mean Detection Time
User 1	88.71%	100.0%	94.02%	2.16 s
User 2	81.67%	94.04%	87.42%	6.8 s
User 3	80.52%	89.00%	84.55%	8.15 s

Fig. 5: Performance metrics of the user-specific models for detection of OOK signal (probability threshold(p)=0.50)

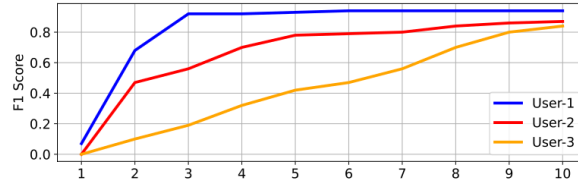


Fig. 6: F1-Score for induced OOK impairment for each user model over time ($p=0.5$)