

S2CFormer: Reorienting Learned Image Compression from Spatial Interaction to Channel Aggregation

Yunuo Chen[†] Qian Li[†] Bing He[†] Donghui Feng[†] Ronghua Wu[‡] Qi Wang[‡]
 Li Song[†] Guo Lu^{†*} Wenjun Zhang[†]
[†]Shanghai Jiao Tong University [‡]Ant Group

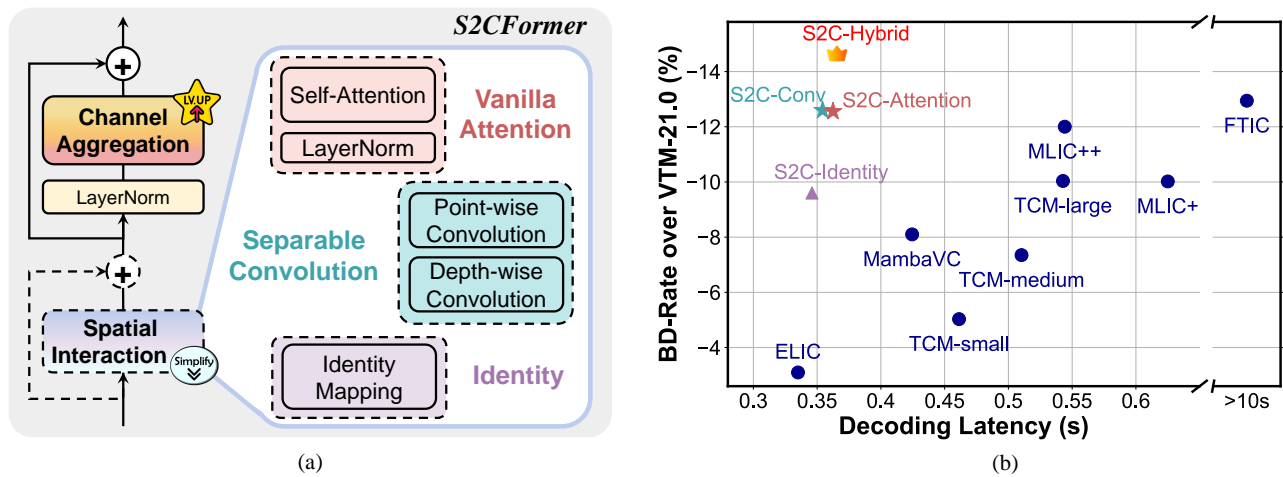


Figure 1. **S2CFormer and the performance of S2CFormer-based models.** The general structure of our S2CFormer is shown in (a). It consists of two key components: the Spatial Interaction module and the Channel Aggregation module. S2CFormer functions as nonlinear transform blocks for Learned Image Compression (LIC). We argue that the competence of transformer-based LIC models primarily stems from the Channel Aggregation module, rather than the specific Spatial Interaction module. As illustrated in (b), S2CFormer-based models not only outperform leading LIC models in rate-distortion performance but also offer significant improvements in decoding latency.

Abstract

Transformers have achieved significant success in learned image compression (LIC), with Swin Transformers emerging as the mainstream choice for nonlinear transforms. A common belief is that their sophisticated spatial operations contribute most to their efficacy. However, the crucial role of the feed-forward network (FFN) based Channel Aggregation module within the transformer architecture has been largely overlooked, and the over-design of spatial operations leads to a suboptimal trade-off between decoding latency and R-D performance. In this paper, we reevaluate the key factors behind the competence of transformers in LIC. By replacing spatial operations with identity mapping, we are surprised to find that channel operations alone can approach the rate-distortion (R-D) performance of the leading meth-

ods. This solid lower bound of performance emphasizes that the presence of channel aggregation is more essential for the LIC model to achieve competitive performance, while the previously complex spatial interactions are partly redundant. This motivates us to use simplified spatial operations and powerful channel operations to overcome the previous trade-off. Based on this insight, we initiate the “S2CFormer” paradigm, a general architecture that reorients the focus of LIC from Spatial Interaction to Channel Aggregation. We present two instantiations of the S2CFormer: S2C-Conv, and S2C-Attention. Each one incorporates a simple operator for spatial interaction and serves as nonlinear transform blocks for our LIC models. Both models demonstrate state-of-the-art (SOTA) R-D performance and significantly faster decoding speed, as shown in Fig. 1. These results also motivate further exploration of advanced FFN structures

to enhance the R-D performance while maintaining model efficiency. With these foundations, we introduce S2C-Hybrid, an enhanced LIC model that combines the strengths of different S2CFormer instantiations. This model outperforms all the existing methods on the Kodak, Tecnick, and CLIC Professional Validation datasets, setting a new benchmark for efficient and high-performance LIC. The code will be released.

1. Introduction

Image compression is crucial due to the rapid growth of digital image data. Lossy compression reduces file sizes while preserving visual quality and optimizing storage and transmission. Recently, learned image compression (LIC) models have emerged as a promising alternative to traditional codecs, offering improved rate-distortion performance and greater efficiency in image storage.

For LIC, nonlinear transform blocks and entropy models are pivotal to a model’s performance. Early LIC models primarily relied on convolutional neural networks (CNNs) for transform networks [3, 8, 10, 20, 38, 40, 41, 49]. However, with the advancements in transformer-based architectures [33, 47], recent studies have adopted transformers as the foundation, leading to significant improvements in rate-distortion (R-D) performance [18, 25, 27, 32, 42, 44, 55, 56].

The success of transformers, particularly Swin Transformers, is often attributed to their sophisticated spatial operations, such as self-attention and window shifting. However, the significance of the transformer structure has not been thoroughly explored, making such attributions premature. Besides, their heavy reliance on spatial operations leads to a suboptimal trade-off between decoding latency and R-D performance.

To this end, we reevaluate the key factors in the R-D performance of transformers-based LIC models. We identify that a basic vision transformer block [33, 34, 47] consists of two operations targeting different dimensions: an attention-based spatial operation and an MLP-based channel operation. By replacing spatial operations with identity mapping, we are surprised to find that channel operations alone can achieve promising performance, which is comparable to the leading methods. The solid lower performance bound and the simple identity spatial operation emphasize that the MLP-based channel operation plays an essential role in optimizing R-D performance for LIC models, while previously complex spatial interactions are partly redundant. This result also gives us hope of overcoming the trade-off between R-D performance and decoding latency inherent in previous methods. To reorient the focus of LIC from Spatial Interaction to Channel Aggregation, we introduce the paradigm “S2CFormer”. S2CFormer is a general structure originated from the standard vision transformers

[33, 34, 47], which consists of two main components: Spatial Interaction and Channel Aggregation. This paradigm emphasizes two key ideas: 1) simplifying spatial interactions to accelerate decoding, and 2) aggregating anisotropic features along the channel dimension to achieve promising performance. It realigns the priority of the spatial operator and channel operator to break the limitations of the previous speed-performance trade-off.

Based on the insight of S2CFormer, we adopt two basic operators for spatial interaction: separable convolution, and vanilla attention. These operators, combined with an MLP-based FFN for channel aggregation, constitute two basic S2CFormer instantiations: S2C-Conv, and S2C-Attention. S2C-Conv and S2C-Attention demonstrate that combining simple spatial interaction with channel aggregation can achieve SOTA performance and improve decoding speed by over 30%. Their performances indicate that channel aggregation is the key factor in R-D performance, far outweighing the choice of specific spatial interaction methods (such as convolution or attention). We suppose this is due to the fact that as the resolution of the feature decreases, spatial redundancy shifts to channels, making it crucial to capture and eliminate channel redundancy.

These findings motivate further exploration of advanced FFN structures for channel aggregation, which could enhance LIC models with minimal added complexity. Additionally, utilizing the advantages of different S2C-instantiations, we propose a new LIC model, S2C-Hybrid. This model combines the strengths of both attention and convolution mechanisms for spatial interaction, while employing the advanced Gated-FFN for channel aggregation, thereby significantly improving R-D performance. Besides, it also ensures a much faster decoding speed compared to existing SOTA methods.

Our contributions can be summarized as follows:

- **Revealing the Importance of Channel Aggregation in LIC:** We emphasize the critical role of channel aggregation in LIC and point out that the previous excessive focus on spatial interactions leads to a suboptimal trade-off between decoding latency and R-D performance.
- **Introduction of the S2CFormer Paradigm:** We propose S2CFormer to reorient the focus of LIC from spatial interactions to channel aggregation. This paradigm advocates for simplifying spatial interaction and enhancing channel aggregation to improve both speed and performance.
- **Establishing New Performance Benchmarks:** The S2C-Hybrid model combines the strengths of different S2C-instantiations and outperforms all the existing methods on three datasets (i.e., Kodak, Tecnick, and CLIC datasets), establishing a new R-D performance record for LIC.

2. Related work

2.1. Learned Image Compression

In the past few years, end-to-end learned image compression (LIC) has gained increased attention. Ballé *et al.* [2] proposed the first end-to-end image compression model with convolution neural network (CNN) and introduced the variation auto-encoder (VAE) model combined with hyper-prior [3], which has become the most fundamental structure for LIC models. Afterward, researchers mainly focus on two things to improve the rate-distortion performance: transform networks and entropy model [4, 16, 17, 31, 35, 37, 39, 52].

Transform networks refer to the nonlinear analysis and synthesis transforms in Encoder, Decoder, Hyper Encoder, and Hyper Decoder. Cheng *et al.* [10] adopt Residual blocks. Chen *et al.* [8] optimize it with octave residual modules. Xie *et al.* [49] utilized an invertible neural network for better performance. With the development of various transformers, they are also adopted by LIC models. [56, 57] directly utilized Swin Transformer for transforms. TCM [32] employed both Resblock and Swin Transformer to capture both local and global information. FTIC [27] enhances the window attention mechanism from a frequency perspective by carefully designing the attention window.

For the entropy model, researchers mainly focus on exploiting efficient and powerful context models. Minnen *et al.* [41] proposed an autoregressive entropy model. He *et al.* [19] utilized the checkerboard model to improve the speed. Minnen *et al.* [40] proposed a context model along channel dimension. He *et al.* [20] raised ELIC for unevenly grouped space-channel contextual adaptive coding. [28, 29] proposed a quadtree entropy model for efficiency. Qian *et al.* [42] utilized ViT for the entropy model for powerful context. MLIC and MLIC++ [21, 22] proposes a multi-reference entropy model. FTIC [27] propose a transformer-based channel-wise autoregressive (T-CA) model that effectively exploits channel dependencies. In this paper, we mainly focus on the structure of transform networks, and directly adopt the basic efficient and powerful entropy model from ELIC [20].

2.2. Transformer

Transformers, initially introduced by [47] for translation tasks, has quickly become widely adopted in a range of NLP applications. Building on this success, many researchers have expanded the use of attention mechanisms and transformers to tackle computer vision tasks. [9, 15, 33, 46, 53].

In particular, Liu *et al.* [33] introduced the Swin Transformer, a hierarchical model that employs window attention and window shifting mechanism. This innovative structure has established a new performance benchmark in both high-level [14, 34, 48] and low-level [9, 30, 53, 54] vision tasks, reflecting its broad applicability and effectiveness.

Many learned image compression models have adopted

the Swin Transformer for nonlinear transform, achieving remarkable improvements in rate-distortion performance. The success of those advanced LIC models has been long attributed to the sophisticated attention modules. However, in the field of natural language processing (NLP), Thorp *et al.* suggest in their work [26] that substituting the attention module with a simple Fourier transform can yield comparable results. Similarly, in high-level vision tasks, Yu *et al.* [50, 51] demonstrate that the architecture known as MetaFormer is actually the most crucial factor for achieving high performance.

In this paper, we revisit the competence of transformers in LIC models, arguing that the core factor for superior R-D performance is Channel Aggregation, rather than the well-designed attention modules.

3. Methodology

3.1. Problem Formulation

The structure of our S2CFormer-based LIC model is illustrated in Fig. 2. It consists of three main components: an Encoder, a Decoder, and an Entropy Model. The Encoder generates a latent representation \mathbf{y} from RGB input \mathbf{x} , which is quantized to $\hat{\mathbf{y}}$. The Decoder maps $\hat{\mathbf{y}}$ back to the RGB domain. This process involves an encoder network $g_a(\cdot)$, a decoder network $g_s(\cdot)$, and a quantization operator Q . The steps are:

$$\mathbf{y} = g_a(\mathbf{x}; \theta_a), \quad \hat{\mathbf{y}} = Q(\mathbf{y} - \boldsymbol{\mu}) + \boldsymbol{\mu}, \quad \hat{\mathbf{x}} = g_s(\hat{\mathbf{y}}; \theta_s),$$

where $\boldsymbol{\mu}$ is the estimated entropy parameter. The entropy model uses a Hyper Encoder $h_a(\cdot)$ and a Hyper Decoder $h_s(\cdot)$ to transform \mathbf{y} into a hyper-prior \mathbf{z} , which is quantized and transmitted as side information. The decoder network h_s converts $\hat{\mathbf{z}}$ into gaussian distribution parameters $(\boldsymbol{\mu}, \boldsymbol{\sigma})$:

$$\mathbf{z} = h_a(\mathbf{y}; \phi_a), \quad \hat{\mathbf{z}} = Q(\mathbf{z}), \quad \boldsymbol{\mu}, \boldsymbol{\sigma} = h_s(\hat{\mathbf{z}}; \phi_s).$$

The model is trained to minimize the R-D loss function:

$$\begin{aligned} \mathcal{L} &= \mathcal{R}(\hat{\mathbf{y}}) + \mathcal{R}(\hat{\mathbf{z}}) + \lambda \cdot \mathcal{D}(\mathbf{x}, \hat{\mathbf{x}}) \\ &= \mathbb{E} \left[-\log_2 p_{\hat{\mathbf{y}}|\hat{\mathbf{z}}}(\hat{\mathbf{y}} | \hat{\mathbf{z}}) \right] + \mathbb{E} \left[-\log_2 p_{\hat{\mathbf{z}}}(\hat{\mathbf{z}}) \right] \\ &\quad + \lambda \cdot \mathbb{E} \|\mathbf{x} - \hat{\mathbf{x}}\|_2^2, \end{aligned}$$

where $\mathcal{R}(\hat{\mathbf{y}})$ and $\mathcal{R}(\hat{\mathbf{z}})$ are bitrates estimated by the entropy model, and $\mathcal{D}(\mathbf{x}, \hat{\mathbf{x}})$ is the distortion between the original and reconstructed images, with λ balancing bitrate and distortion.

We focus on the design of four transform networks: Encoder g_a , Decoder g_s , Hyper Encoder h_a , and Hyper Decoder h_s , each including several nonlinear transform blocks. The S2CFormer block is employed for these transforms.

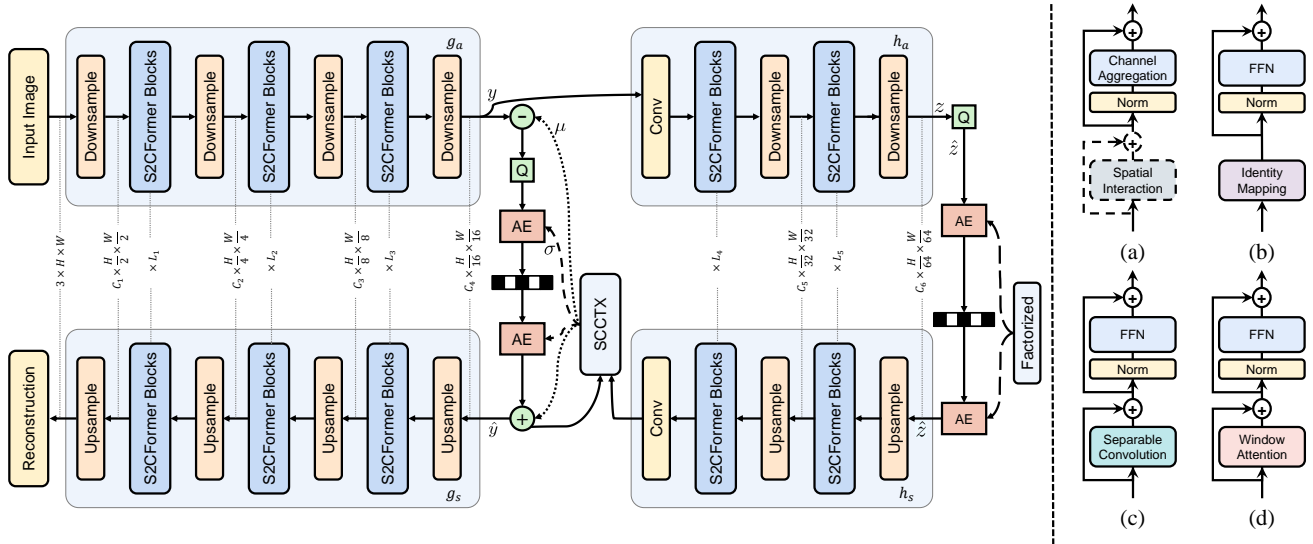


Figure 2. **Overview of S2CFormer-based LIC model.** We adopt the basic VAE structure from [3, 41] and integrate the SCCTX entropy model from [20]. The hierarchical architecture consists of five stages of nonlinear transform blocks. Each stage contains L_i S2CFormer blocks. The general S2CFormer architecture is shown in (a), and (b-d) illustrate three S2CFormer instantiations. L_1 - L_6 represent block numbers for each stage.

Downsampling is achieved with a 3×3 convolution layer (stride 2), and upsampling uses a pixel shuffle layer with a 1×1 convolution. The entropy models adopt the efficient Space-Channel ConTeXt (SCCTX) model from ELIC [20], enhancing entropy estimation with spatial and channel context.

3.2. S2CFormer

3.2.1 S2C-Identity: The Lower Bound of S2CFormers

Firstly, we introduce the ‘‘S2CFormer’’ paradigm, shown in Fig. 2 (a). S2CFormer is a general architecture comprising two main components: Spatial Interaction and Channel Aggregation.

To reevaluate the key factors in the R-D performance of transformers-based LIC models and explore the lower bound of S2CFormer’s performance, we instantiate the spatial interaction with the simplest operator, Identity Mapping, as illustrated in Fig. 2 (b):

$$\text{Identity}(\mathbf{X}) = \mathbf{X},$$

which is an identity spatial transformation, and does not perform special spatial feature interaction. We use this initialization, termed S2C-Identity, to demonstrate the effectiveness and dominance of channel aggregation.

3.2.2 Simplified Spatial Interaction

In addition to S2C-Identity, we explore more S2CFormer instantiations with other spatial operators, as shown in Fig. 2 (c-d). Instead of designing novel spatial interaction modules,

we assess the model’s potential for achieving SOTA performance with simplified, commonly used spatial operators. We implement two spatial interaction modules. The first is separable convolution, as proposed in [11, 45, 50]:

$$\text{SepConv}(\mathbf{X}) = \text{Conv}_{\text{pw}}(\text{Conv}_{\text{dw}}(\sigma(\text{Conv}_{\text{pw}}(\mathbf{X})))) ,$$

where Conv_{pw} and Conv_{dw} denote point-wise and depth-wise convolution, respectively, and σ represents nonlinear activation function. Separable convolutions help to reduce computational cost and parameter count. This instantiation is termed as S2C-Conv.

Besides convolution, another commonly used spatial interaction module for LIC is self-attention. We employ a simplified one, vanilla window attention, to achieve basic spatial interactions. It is defined as:

$$\text{Attention}(\mathbf{Q}, \mathbf{K}, \mathbf{V}) = \text{Softmax}\left(\frac{\mathbf{Q}\mathbf{K}^\top}{\sqrt{d_h}}\right) \mathbf{V},$$

where $\mathbf{Q}, \mathbf{K}, \mathbf{V}$ represent the query, key, and value, respectively, and d_h denotes the number of attention heads. It computes attention in a windowed manner, eliminating special window partitions or time-consuming window shifting operations. This instantiation is identified as S2C-Attention.

Following spatial interaction, we apply channel aggregation with Layer Normalization and a feed-forward network (FFN) consisting of linear layers, as detailed in Sec. 3.2.3.

3.2.3 Advanced Channel Aggregation

This paper does not introduce complex spatial operations. Instead, we explore advanced FFN structures for channel ag-

gregation to assess their potential benefits, aiming to enhance LIC models with minimal added complexity and achieve a better balance between performance and coding speed. Channel aggregation is primarily achieved using MLP-based FFNs. As illustrated in Fig. 3 (a), a vanilla FFN can be formulated as follows:

$$\text{Vanilla-FFN}(\mathbf{X}) = \sigma(\mathbf{X}\mathbf{W}_{\text{in}})\mathbf{W}_{\text{out}},$$

where $\mathbf{W}_{\text{in}} \in \mathbb{R}^{C \times rC}$ and $\mathbf{W}_{\text{out}} \in \mathbb{R}^{rC \times C}$ are learnable parameters with an expansion ratio r and the input channel number C . σ refers to the activation function.

Inspired by previous work in NLP and low-level tasks [9, 13, 28, 29, 53], we propose two efficient yet powerful FFN structures for channel aggregation: Additive-FFN and Gated-FFN, shown in Fig. 3 (b) and (c).

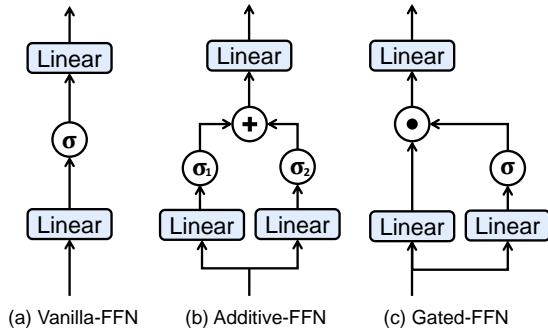


Figure 3. Vanilla FFN (a) and Advanced FFNs (b-c)

The Additive-FFN combines outputs from two activation functions via addition, applying separate nonlinear transformations to the same input to leverage the strength of multiple nonlinearities:

$$\text{Additive-FFN}(\mathbf{X}) = [\sigma_1(\mathbf{X}\mathbf{W}_1) + \sigma_2(\mathbf{X}\mathbf{W}_2)]\mathbf{W}_{\text{out}},$$

where \mathbf{W}_1 and \mathbf{W}_2 are learnable parameters, and σ_1, σ_2 are distinct activation functions.

In contrast, the Gated-FFN enhances feature interactions via the Hadamard product, performing element-wise multiplication of two linear transformation results, with one passed through an activation function:

$$\text{Gated-FFN}(\mathbf{X}) = [\sigma(\mathbf{X}\mathbf{W}_1) \odot (\mathbf{X}\mathbf{W}_2)]\mathbf{W}_{\text{out}},$$

where \odot denotes element-wise multiplication. For all structures, the expansion ratio r is set to 4, and linear layers are implemented via 1×1 convolutions.

These advanced FFNs outperform the vanilla FFN while maintaining similar computational complexity and latency. This suggests that exploring efficient FFN designs is crucial for effective LIC models, beyond relying solely on complex spatial interactions.

3.2.4 S2C-Hybrid: A Superior Extension of S2CFormers

Building on the spatial interaction operators described in Sec. 3.2.2 and the advanced channel aggregation techniques from Sec. 3.2.3, we introduce the S2C-Hybrid model, an enhanced version of the S2CFormer-based LIC model. S2C-Hybrid offers an excellent trade-off between R-D performance and decoding speed.

This hybrid model employs different S2C instantiations for different transform stages. For channel aggregation, we adopt gated-FFN to enhance performance. As for spatial interaction, S2C-Hybrid takes advantage of both convolutional networks and self-attention mechanisms. Specifically, we employ convolution in the early stages when feature resolution is high, and apply attention mechanisms in the later stages. This strategy improves R-D performance without significantly increasing time complexity or slowing down coding speed. Additionally, the S2C-Conv and S2C-Identity blocks are used to enhance spatial context extraction and parameter aggregation in the SCCTX entropy model.

With advanced channel aggregation to enhance performance and simplified spatial interactions to accelerate speed, S2C-Hybrid overcomes the suboptimal trade-off between performance and speed inherent in previous methods.

4. Experiments

4.1. Experimental Setup

4.1.1 Training Details

We train all S2CFormer-based models on the Flickr2W dataset [31] for 2 million steps with a batch size of 8, using Adam [23] optimizer and an initial learning rate of 0.0001. For MSE-optimized models, we use Lagrangian multipliers $\{0.0017, 0.0025, 0.0035, 0.0067, 0.0130, 0.0250, 0.050\}$; for MS-SSIM-optimized models, we use $\{3, 5, 8, 16, 36, 64\}$. In the attention modules, the window size is set to 8, and depthwise convolution kernels are all of size 5. The latent representation y consists of 320 channels, and the hyper-latent representation contains 192 channels. Additional details are provided in the supplementary material. To enhance context mining and parameter aggregation within the entropy model of ELIC [20], we incorporate the S2C-Conv block and the S2C-Identity block, respectively. Unless otherwise specified, we use the Gated-FFN as a channel aggregation module for all S2CFormer-based models. All experiments are conducted on NVIDIA A100 GPUs.

4.1.2 Evaluation

We test our models on three datasets: Kodak image set [24] with the image size of 768×512 , Tecnick test set [1] with the image size of 1200×1200 , and CLIC professional validation dataset [12] with 2k resolution. We take PSNR, MS-SSIM,

	ELIC	MambaVC	FTIC	MLIC++	TCM-large	S2C-Identity	S2C-Conv	S2C-Attention	S2C-Hybrid
BD-rate [Kodak]	-3.10	-8.11	-12.94	-11.97	-10.04	-9.70	-12.65	-12.56	-14.28
BD-rate [CLIC]	-0.84	-	-10.21	-12.08	-8.60	-7.55	-10.98	-10.28	-12.88
BD-rate [Tecnick]	-7.41	-	-13.89	-15.13	-10.42	-10.70	-14.48	-14.08	-17.20
Params (M)	33.29	47.88	69.78	116.48	75.89	64.63	66.60	68.42	79.83
FLOPs (T)	1.74	2.10	1.31	2.64	3.74	2.80	3.13	3.42	4.17
Decoding Latency (s) ↓	0.335	0.425	>10	0.547	0.542	0.346	0.356	0.360	0.362
Throughput (samples/s) ↑	72.32	6.55	23.25	27.42	17.80	50.02	35.49	26.21	22.63

Table 1. **Comprehensive comparisons of LIC models.** (a) **BD-rate.** BD-rate of LIC models on different datasets, relative to VTM-21.0 [7]. S2C-Conv, -Attention, and -Hybrid models achieve superior R-D performance. R-D curves are provided in Fig. 6-8. (b) **Model Params.** S2C-Conv and -Attention models have fewer parameters compared to previous SOTA methods. (c) **Efficiency.** FLOPs assess computational complexity, but they do not always reflect the actual training and inference speed. While S2CFormer-based models do not exhibit many advantages in terms of FLOPs, they achieve over 30% faster decoding speed and significantly higher training throughput.

and bits per pixel (bpp) as metrics. We utilize the BD-rate [5] results to quantify the average bitrate savings.

4.2. Rate-Distortion Performance

In this section, we compare our models with VTM-21.0 [6, 7] and several leading LIC models, including ELIC [20], MambaVC [43], TCM [32], MLIC++ [22] and FTIC [27]. The detailed results are presented in Table 1.

The Lower Bound of S2CFormers. S2C-Identity, which relies mainly on MLPs without spatial interactions, holds the lower performance bound for S2CFormer-based models. Surprisingly, it outperforms VTM-21.0 by 9.70%, 10.70%, and 7.55% in BD-rate on Kodak, Tecnick, and CLIC datasets, respectively. It surpasses MambaVC, and nearly matches the performance of TCM-large, as shown in Fig. 4. This promising result suggests that MLP-based channel aggregation secures a solid baseline performance for LIC.

S2CFormers With Simplified Spatial Interaction. We compare the S2C-Conv and S2C-Attention models with existing models and find that both models outperform nearly all the SOTA methods. As shown in Tabel 1, in terms of BD-rates, both models surpass FTIC, TCM-large, and MambaVC. They also outperform MLIC++ on the Kodak dataset. Although MLIC++ performs well at lower bit rates, it underperforms at higher bitrates, showing a noticeable gap compared to our models, as shown in Fig. 4. This discrepancy arises from its focus on improving the entropy model, which benefits performance at lower bitrates. However, at higher bit rates, transform networks become more critical for capturing and reconstructing high-frequency components.

The performances of our models suggest that complex spatial interaction design may be redundant and can be simplified. S2C-Conv and S2C-Attention show near-identical performance, indicating a specific choice of spatial interaction is not critical for LIC. Instead, FFN-based channel aggregation is the key factor that secures R-D performance.

Ablations of Channel Aggregation. In this section, we further analyze the critical role of Channel Aggregation within

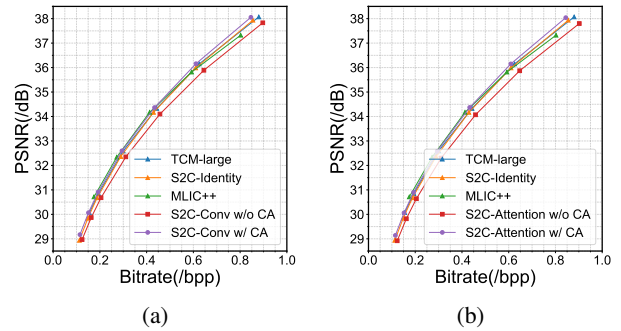


Figure 4. **Ablation Study for Channel Aggregation.** Experiments on Kodak dataset. “w/ FFN” refers to S2CFormer-based models with Channel Aggregation. “w/o CA” represents removing all FFN modules for Channel Aggregation.

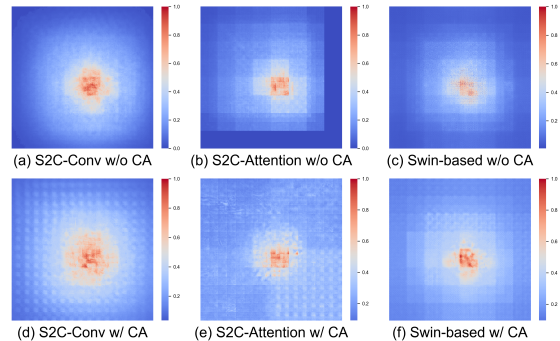


Figure 5. The effective receptive fields (ERF) [36] calculated by different models. “CA” refers to Channel Aggregation module.

our S2CFormer architecture. To assess their impact, we first conducted an ablation study by removing all FFN modules from S2C-Conv and S2C-Attention.

Fig. 4 illustrates the R-D curves for this ablation study. Notably, pure separable convolution and window attention are significantly less effective than their FFN-enhanced counterparts. Specifically, adding FFNs to separable convolution improves BD-rate by -10.57%, while FFNs in S2C-Attention lead to an -11.14% improvement. These results highlight the substantial contribution of FFNs to the overall R-D perfor-

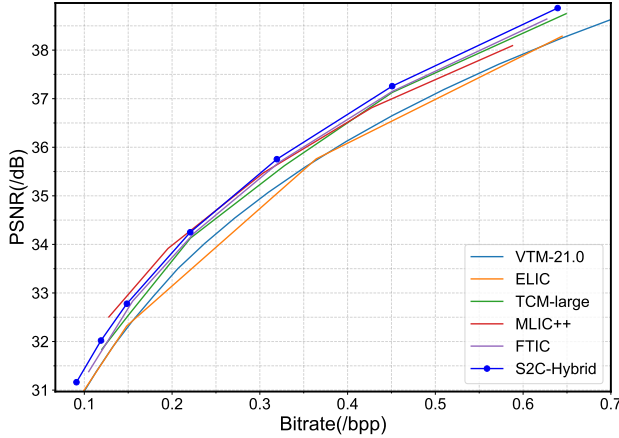


Figure 6. Performance evaluation on the CLIC Professional Validation Dataset.

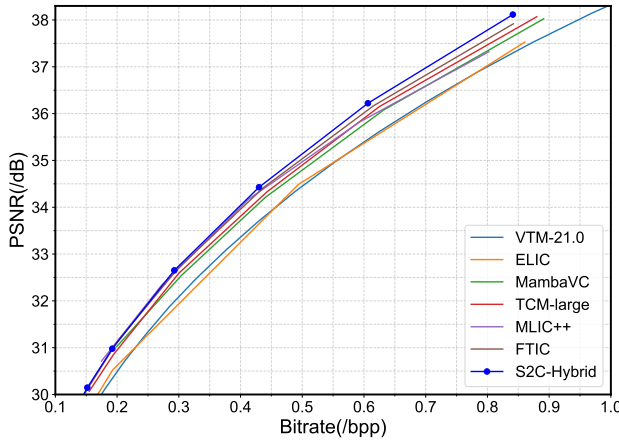
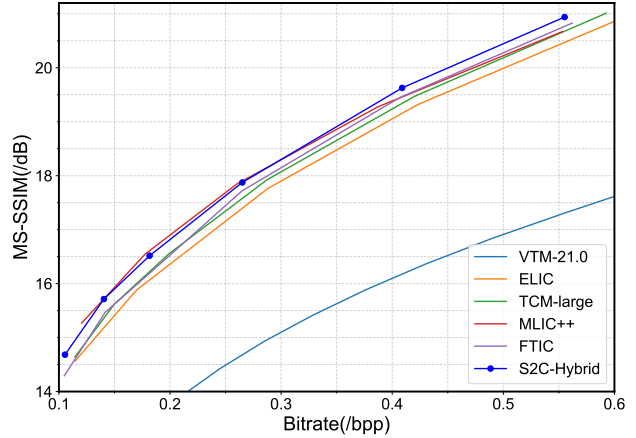


Figure 7. Performance evaluation on the Kodak dataset.

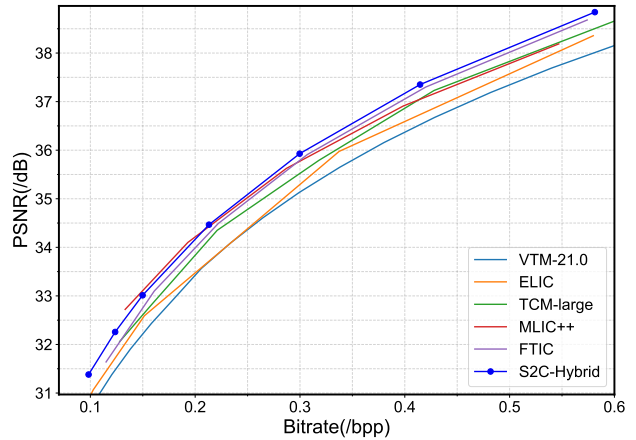


Figure 8. Performance evaluation on the Tecnick dataset.

mance of our LIC models.

In contrast, S2C-Identity, which eliminates spatial interaction while retaining channel aggregation, approaches the performance of TCM-large, outperforming the two models without CA by -7.51% and -8.17% BD-rate respectively. This comparison underscores the greater importance of FFNs in LIC models.

This ablation study strongly supports using FFNs for channel aggregation in future LIC models.

We also examine the ERF [36] of analysis networks to demonstrate the significance of channel aggregation. Although it is commonly believed that the attention mechanism expands the receptive field and aggregates more non-local information, our findings challenge this view. As shown in Fig. 5, both the S2C-Conv and S2C-Attention models, when lacking channel aggregation, exhibit smaller ERF. In contrast, when channel aggregation is introduced, the ERF of both models expands to cover more areas of the input image. We also evaluate the Swin Transformer-based LIC model and observe that window shifting does not significantly enlarge the ERF. Similar to the S2C-based models, Swin-based mod-

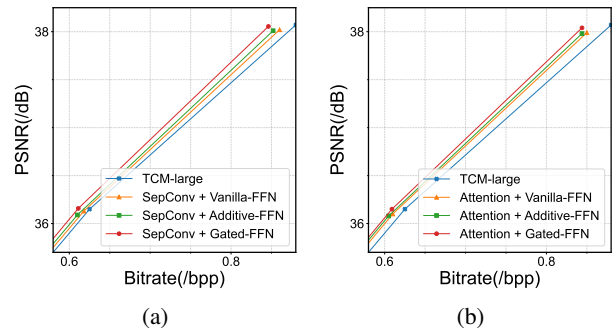


Figure 9. **Comparison of Different FFNs.** Experiments on the Kodak dataset. We provide R-D curves for S2C-Conv and -Attention models with various FFNs for Channel Aggregation.

els also rely on channel aggregation to broaden ERF. This demonstrates that channel aggregation is the key factor in activating more pixels in the original image and capturing additional information, which boosts the R-D performance of LIC models. These comparisons suggest that some complex and time-consuming spatial operations appear redundant.

Effectiveness of Advanced Channel Aggregation. As

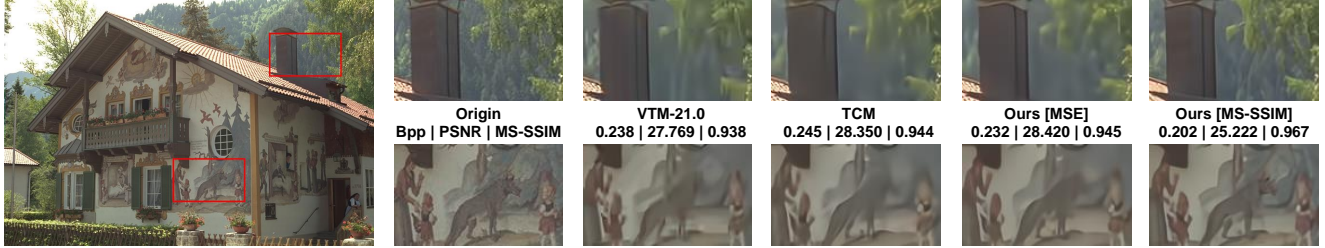


Figure 10. **Visual Comparison.** This figure presents visualizations of decompressed images from the Kodak dataset using various methods. Each subfigure is labeled with “Method | Bpp | PSNR | MS-SSIM”.

discussed in Sec. 3.2.3, the structure of FFN warrants further exploration. We conduct comparison experiments on three proposed FFN structures—Vanilla-FFN, Additive-FFN, and Gated-FFN—within both the S2C-Conv and S2C-Attention models, as shown in Fig. 9. For S2C-Conv, models utilizing Vanilla-FFN, Additive-FFN, and Gated-FFN outperform VTM-21.0 by -10.88%, -11.87%, and -12.65%, respectively. When window attention is applied for spatial interaction, these models achieved BD-rates of -11.27%, -12.05%, and -12.56% over VTM-21.0. The decoding latency for these models is nearly identical. Gated-FFN consistently outperforms Additive-FFN, which, in turn, surpasses Vanilla-FFN. These results demonstrate that the FFN structure remains a promising area for further investigation.

Performance of S2C-Hybrid. We enhance model performance by integrating the advantages of different S2C-instantiations and advanced FFN. We increase L_2 and L_3 to 8 while keeping other configurations unchanged. To manage decoding latency and complexity, we utilize the S2C-Conv block in the initial stage to reduce complexity; in subsequent stages, we employ the S2C-Attention block. As shown in Fig. 6-8, by employing only the fundamental S2CFormer blocks with simplified spatial interaction modules, our S2C-Hybrid model surpasses all other LIC models in R-D performance, exceeding VTM-21.0 by 14.28%, 12.88%, and 17.20% in BD-rate for the Kodak, CLIC, and Tecnick datasets, respectively. This result demonstrates the effectiveness of integrating various simple spatial interactions within a unified architecture to optimize both computational efficiency and model performance.

Ablations on S2C-Hybrid For the three-stage main transform networks, we employ S2C-Conv for the first stage and S2C-Attention for the others, which is the best arrangement according to our experiments. As shown in Tab.2, we represent S2C-Conv and -Attention with “C” and “A” respectively. “[C,A,A]” appears to be the best, the reason for which may be that convolution can better capture local details at high resolution, while attention excels at global information when resolution drops.

Stages[1,2,3]	[C,C,C]	[A,A,A]	[A,C,C]	[C,C,A]	[C,A,A]
BD-rate (%)	-12.65	-12.56	-12.32	-12.87	-13.35

Table 2. S2C-Hybrid Arrangement Ablations

We also have experimented about the S2C-Hybrid model’s complexity in Tab.3. The base model Hybrid-S has 3 blocks for each stage. By stacking more blocks in the last two stages (adding blocks to the first stage greatly slows decoding), performance steadily improves.

Stages[1,2,3]	Hybrid-S[3,3,3]	Hybrid-M[3,5,5]	Hybrid-L[3,8,8]
BD-rate (%)	-13.35	-13.85	-14.28
FLOPs (T)	3.20	3.59	4.17
Decoding (s) ↓	0.357	0.358	0.362

Table 3. S2C-Hybrid Complexity Ablations

Visual Comparison. We present the visualization results in Fig. 10, comparing our method with the traditional codec VTM 21.0 and the advanced LIC model TCM.

4.3. Model efficiency

We calculate the FLOPs and decoding latency for various models using 2K images, and evaluate training throughput with a batch size of 8 and patch size of 256×256. Training throughput is directly correlated to the training time of LIC models. Numeric results are provided in Table 1.

Decoding Latency. S2CFormer-based models demonstrate significant advantages in decoding latency. All of our models are quite fast, with even the slowest one, S2C-Hybrid, achieving a decoding speed that is more than 30% faster than MLIC++ and TCM-large.

Training Throughput. S2CFormer-based models also significantly increase training throughput, S2C-Identity is competitive with TCM-large in R-D performance, while improving training speed by 180%, which cuts the total training time from 10.4 days to 3.7 days. Similarly, S2C-Conv outperforms FTIC in R-D performance, and accelerates training by 52%, saving over 65 hours of training time.

FLOPs. For VAE-based LIC models, FLOPs are significantly influenced by the number of channels in the first stage. We directly set all channel numbers as 192, following the original setting of LIC model [2], as the optimal channel settings are beyond the scope of this study. Some leading methods have reduced the first-stage channel number to 128 or fewer [27, 43], which significantly lowers FLOPs. However, these models are still much slower than our S2CFormer-based models in both training and decoding speed, which are the primary concerns for LIC. Assigning 96, 192, and 256 channels across three stages creates an S2C-Hybrid model

with 2.63T FLOPs (below MLIC++) and -13.07% BD-rate, outperforming MLIC++. This shows that our approach is not a fixed design, we can achieve even more efficient S2C models by adjusting the channel numbers to reduce FLOPs.

5. Conclusion and Future Work

We revisit the key factors that enhance the R-D performance of transformer-based LIC models. Specifically, we identify certain spatial operations in previous leading methods as redundant. To address this, we introduce S2CFormer, a novel paradigm for nonlinear transform blocks in LIC. This architecture consists of two core components: the Spatial Interaction module and the Channel Aggregation module. By shifting the focus of LIC from spatial interaction to channel aggregation, this approach aims to optimize performance while also improving speed. Through extensive experiments and comparisons, we demonstrate that FFN-based channel aggregation is critical for improving LIC performance. Models based on S2CFormer offer faster training speed and lower decoding latencies compared to existing methods while maintaining competitive R-D performance. Moreover, we suggest that FFN-based channel aggregation remains a promising avenue for future research.

By combining simple spatial interaction operators with the proposed Gated-FFN for channel aggregation, our models achieve state-of-the-art R-D performance on the Kodak, Tecnick, and CLIC Professional Validation datasets, while also maintaining efficiency. This approach breaks the sub-optimal trade-off between R-D performance and decoding latency inherent in previous methods.

References

- [1] Nicola Asuni, Andrea Giachetti, et al. Testimages: a large-scale archive for testing visual devices and basic image processing algorithms. In *STAG*, pages 63–70, 2014.
- [2] Johannes Ballé, Valero Laparra, and Eero P. Simoncelli. End-to-end optimized image compression. In *International Conference on Learning Representations*, 2017.
- [3] Johannes Ballé, David Minnen, Saurabh Singh, Sung Jin Hwang, and Nick Johnston. Variational image compression with a scale hyperprior. In *International Conference on Learning Representations*, 2018.
- [4] Jean Bégaint, Fabien Racapé, Simon Feltman, and Akshay Pushparaja. Compressai: a pytorch library and evaluation platform for end-to-end compression research. *arXiv e-prints*, pages arXiv–2011, 2020.
- [5] Gisle Bjontegaard. Calculation of average psnr differences between rd-curves. In *VCEG-M33*, 2001.
- [6] Benjamin Bross, Ye-Kui Wang, Yan Ye, Shan Liu, Jianle Chen, Gary J Sullivan, and Jens-Rainer Ohm. Overview of the versatile video coding (vvc) standard and its applications. *IEEE Transactions on Circuits and Systems for Video Technology*, 31(10):3736–3764, 2021.
- [7] A. Browne, Y. Ye, and S. Kim. Algorithm description for versatile video coding and test model 21 (vtm 21), document jvet-af2002. In *Joint Video Experts Team (JVET) of ITU-T SG 16 WP 3 and ISO/IEC JTC 1/SC 29/WG 11, 32nd Meeting*, Hannover.
- [8] Fangdong Chen, Yumeng Xu, and Li Wang. Two-stage octave residual network for end-to-end image compression. In *Proceedings of the AAAI Conference on Artificial Intelligence*, pages 3922–3929, 2022.
- [9] Liangyu Chen, Xiaojie Chu, Xiangyu Zhang, and Jian Sun. Simple baselines for image restoration. In *European conference on computer vision*, pages 17–33. Springer, 2022.
- [10] Zhengxue Cheng, Heming Sun, Masaru Takeuchi, and Jiro Katto. Learned image compression with discretized gaussian mixture likelihoods and attention modules. In *Proceedings of the IEEE/CVF conference on computer vision and pattern recognition*, pages 7939–7948, 2020.
- [11] François Chollet. Xception: Deep learning with depthwise separable convolutions. In *Proceedings of the IEEE conference on computer vision and pattern recognition*, pages 1251–1258, 2017.
- [12] CLIC. Workshop and challenge on learned image compression. In *Proceedings of the IEEE/CVF Conference on Computer Vision and Pattern Recognition*, 2021.
- [13] Yann N Dauphin, Angela Fan, Michael Auli, and David Grangier. Language modeling with gated convolutional networks. In *International conference on machine learning*, pages 933–941. PMLR, 2017.
- [14] Xiaoyi Dong, Jianmin Bao, Dongdong Chen, Weiming Zhang, Nenghai Yu, Lu Yuan, Dong Chen, and Baining Guo. Cswin transformer: A general vision transformer backbone with cross-shaped windows. In *Proceedings of the IEEE/CVF conference on computer vision and pattern recognition*, pages 12124–12134, 2022.
- [15] Alexey Dosovitskiy, Lucas Beyer, Alexander Kolesnikov, Dirk Weissenborn, Xiaohua Zhai, Thomas Unterthiner, Mostafa Dehghani, Matthias Minderer, Georg Heigold, Sylvain Gelly, Jakob Uszkoreit, and Neil Houlsby. An image is worth 16x16 words: Transformers for image recognition at scale. In *International Conference on Learning Representations*, 2021.
- [16] Haisheng Fu, Feng Liang, Jie Liang, Binglin Li, Guohe Zhang, and Jingning Han. Asymmetric learned image compression with multi-scale residual block, importance scaling, and post-quantization filtering. *IEEE Transactions on Circuits and Systems for Video Technology*, 33(8):4309–4321, 2023.
- [17] Ge Gao, Pei You, Rong Pan, Shunyuan Han, Yuanyuan Zhang, Yuchao Dai, and Hojae Lee. Neural image compression via attentional multi-scale back projection and frequency decomposition. In *Proceedings of the IEEE/CVF International Conference on Computer Vision*, pages 14677–14686, 2021.
- [18] Bing He, Yunuo Chen, Guo Lu, Li Song, and Wenjun Zhang. S4d: Streaming 4d real-world reconstruction with gaussians and 3d control points. *arXiv preprint arXiv:2408.13036*, 2024.
- [19] Dailan He, Yaoyan Zheng, Baocheng Sun, Yan Wang, and Hongwei Qin. Checkerboard context model for efficient

- learned image compression. In *Proceedings of the IEEE/CVF Conference on Computer Vision and Pattern Recognition*, pages 14771–14780, 2021.
- [20] Dailan He, Ziming Yang, Weikun Peng, Rui Ma, Hongwei Qin, and Yan Wang. Elic: Efficient learned image compression with unevenly grouped space-channel contextual adaptive coding. In *Proceedings of the IEEE/CVF Conference on Computer Vision and Pattern Recognition*, pages 5718–5727, 2022.
- [21] Wei Jiang and Ronggang Wang. MLC⁺⁺: Linear complexity multi-reference entropy modeling for learned image compression. In *ICML 2023 Workshop Neural Compression: From Information Theory to Applications*, 2023.
- [22] Wei Jiang, Jiayu Yang, Yongqi Zhai, Peirong Ning, Feng Gao, and Ronggang Wang. Mlic: Multi-reference entropy model for learned image compression. In *Proceedings of the 31st ACM International Conference on Multimedia*, pages 7618–7627, 2023.
- [23] Diederik P Kingma. Adam: A method for stochastic optimization. *International Conference on Learning Representations*, 2015.
- [24] Eastman Kodak. Kodak lossless true color image suite (photocd pcd0992), 1993. Available from <http://r0k.us/graphics/kodak/>.
- [25] A Burakhan Koyuncu, Han Gao, Atanas Boev, Georgii Gaikov, Elena Alshina, and Eckehard Steinbach. Contextformer: A transformer with spatio-channel attention for context modeling in learned image compression. In *European Conference on Computer Vision*, pages 447–463. Springer, 2022.
- [26] James Lee-Thorp, Joshua Ainslie, Ilya Eckstein, and Santiago Ontanon. Fnet: Mixing tokens with fourier transforms. *NAACL*, 2022.
- [27] Han Li, Shaohui Li, Wenrui Dai, Chenglin Li, Junni Zou, and Hongkai Xiong. Frequency-aware transformer for learned image compression. In *The Twelfth International Conference on Learning Representations*, 2024.
- [28] Jiahao Li, Bin Li, and Yan Lu. Hybrid spatial-temporal entropy modelling for neural video compression. In *Proceedings of the 30th ACM International Conference on Multimedia*, pages 1503–1511, 2022.
- [29] Jiahao Li, Bin Li, and Yan Lu. Neural video compression with diverse contexts. In *Proceedings of the IEEE/CVF Conference on Computer Vision and Pattern Recognition*, pages 22616–22626, 2023.
- [30] Jingyun Liang, Jiezhong Cao, Guolei Sun, Kai Zhang, Luc Van Gool, and Radu Timofte. Swinir: Image restoration using swin transformer. In *Proceedings of the IEEE/CVF international conference on computer vision*, pages 1833–1844, 2021.
- [31] Jiaheng Liu, Guo Lu, Zhihao Hu, and Dong Xu. A unified end-to-end framework for efficient deep image compression. *arXiv preprint arXiv:2002.03370*, 2020.
- [32] Jinming Liu, Heming Sun, and Jiro Katto. Learned image compression with mixed transformer-cnn architectures. In *Proceedings of the IEEE/CVF conference on computer vision and pattern recognition*, pages 14388–14397, 2023.
- [33] Ze Liu, Yutong Lin, Yue Cao, Han Hu, Yixuan Wei, Zheng Zhang, Stephen Lin, and Baining Guo. Swin transformer: Hierarchical vision transformer using shifted windows. In *Proceedings of the IEEE/CVF international conference on computer vision*, pages 10012–10022, 2021.
- [34] Ze Liu, Han Hu, Yutong Lin, Zhuliang Yao, Zhenda Xie, Yixuan Wei, Jia Ning, Yue Cao, Zheng Zhang, Li Dong, et al. Swin transformer v2: Scaling up capacity and resolution. In *Proceedings of the IEEE/CVF conference on computer vision and pattern recognition*, pages 12009–12019, 2022.
- [35] Ming Lu, Peiyao Guo, Huiqing Shi, Chuntong Cao, and Zhan Ma. Transformer-based image compression. In *2022 Data Compression Conference (DCC)*, pages 469–469. IEEE, 2022.
- [36] Wenjie Luo, Yujia Li, Raquel Urtasun, and Richard Zemel. Understanding the effective receptive field in deep convolutional neural networks. *Advances in neural information processing systems*, 29, 2016.
- [37] Haichuan Ma, Dong Liu, Ruiqin Xiong, and Feng Wu. iwave: Cnn-based wavelet-like transform for image compression. *IEEE Transactions on Multimedia*, 22(7):1667–1679, 2019.
- [38] Haichuan Ma, Dong Liu, Ning Yan, Houqiang Li, and Feng Wu. End-to-end optimized versatile image compression with wavelet-like transform. *IEEE Transactions on Pattern Analysis and Machine Intelligence*, 44(3):1247–1263, 2020.
- [39] Fabian Mentzer, George Toderici, David Minnen, Sergi Caelles, Sung Jin Hwang, Mario Lucic, and Eirikur Agustsson. VCT: A video compression transformer. In *Advances in Neural Information Processing Systems*, 2022.
- [40] David Minnen and Saurabh Singh. Channel-wise autoregressive entropy models for learned image compression. In *2020 IEEE International Conference on Image Processing (ICIP)*, pages 3339–3343. IEEE, 2020.
- [41] David Minnen, Johannes Ballé, and George D Toderici. Joint autoregressive and hierarchical priors for learned image compression. *Advances in neural information processing systems*, 31, 2018.
- [42] Yichen Qian, Ming Lin, Xiuyu Sun, Zhiyu Tan, and Rong Jin. Entroformer: A transformer-based entropy model for learned image compression. In *International Conference on Learning Representations*, 2022.
- [43] Shiyu Qin, Jinpeng Wang, Yimin Zhou, Bin Chen, Tianci Luo, Baoyi An, Tao Dai, Shutao Xia, and Yaowei Wang. Mambavc: Learned visual compression with selective state spaces. *arXiv preprint arXiv:2405.15413*, 2024.
- [44] Qihan Ren, Huiqi Deng, Yunuo Chen, Siyu Lou, and Quanshi Zhang. Bayesian neural networks avoid encoding complex and perturbation-sensitive concepts. In *International Conference on Machine Learning*, pages 28889–28913. PMLR, 2023.
- [45] Mark Sandler, Andrew Howard, Menglong Zhu, Andrey Zhmoginov, and Liang-Chieh Chen. Mobilenetv2: Inverted residuals and linear bottlenecks. In *Proceedings of the IEEE conference on computer vision and pattern recognition*, pages 4510–4520, 2018.
- [46] Hugo Touvron, Matthieu Cord, Matthijs Douze, Francisco Massa, Alexandre Sablayrolles, and Hervé Jégou. Training data-efficient image transformers & distillation through atten-

- tion. In *International conference on machine learning*, pages 10347–10357. PMLR, 2021.
- [47] A Vaswani. Attention is all you need. *Advances in Neural Information Processing Systems*, 2017.
- [48] Zhuofan Xia, Xuran Pan, Shiji Song, Li Erran Li, and Gao Huang. Vision transformer with deformable attention. In *Proceedings of the IEEE/CVF conference on computer vision and pattern recognition*, pages 4794–4803, 2022.
- [49] Yueqi Xie, Ka Leong Cheng, and Qifeng Chen. Enhanced invertible encoding for learned image compression. In *Proceedings of the 29th ACM international conference on multimedia*, pages 162–170, 2021.
- [50] Weihao Yu, Mi Luo, Pan Zhou, Chenyang Si, Yichen Zhou, Xinchao Wang, Jiashi Feng, and Shuicheng Yan. Metaformer is actually what you need for vision. In *Proceedings of the IEEE/CVF conference on computer vision and pattern recognition*, pages 10819–10829, 2022.
- [51] Weihao Yu, Chenyang Si, Pan Zhou, Mi Luo, Yichen Zhou, Jiashi Feng, Shuicheng Yan, and Xinchao Wang. Metaformer baselines for vision. *IEEE Transactions on Pattern Analysis and Machine Intelligence*, 2023.
- [52] Ali Zafari, Atefeh Khoshkhahtinat, Piyush Mehta, Mohammad Saeed Ebrahimi Saadabadi, Mohammad Akyash, and Nasser M Nasrabadi. Frequency disentangled features in neural image compression. In *2023 IEEE International Conference on Image Processing (ICIP)*, pages 2815–2819. IEEE, 2023.
- [53] Syed Waqas Zamir, Aditya Arora, Salman Khan, Munawar Hayat, Fahad Shahbaz Khan, and Ming-Hsuan Yang. Restormer: Efficient transformer for high-resolution image restoration. In *Proceedings of the IEEE/CVF conference on computer vision and pattern recognition*, pages 5728–5739, 2022.
- [54] Kai Zhang, Yawei Li, Jingyun Liang, Jiezhang Cao, Yulun Zhang, Hao Tang, Deng-Ping Fan, Radu Timofte, and Luc Van Gool. Practical blind image denoising via swin-convnet and data synthesis. *Machine Intelligence Research*, 20(6):822–836, 2023.
- [55] Yiwei Zhang, Guo Lu, Yunuo Chen, Shen Wang, Yibo Shi, Jing Wang, and Li Song. Neural rate control for learned video compression. In *The Twelfth International Conference on Learning Representations*, 2023.
- [56] Yinhao Zhu, Yang Yang, and Taco Cohen. Transformer-based transform coding. In *International Conference on Learning Representations*, 2022.
- [57] Renjie Zou, Chunfeng Song, and Zhaoxiang Zhang. The devil is in the details: Window-based attention for image compression. In *Proceedings of the IEEE/CVF conference on computer vision and pattern recognition*, pages 17492–17501, 2022.