

Super Quantum Mechanics

Mikhail Gennadievich Belov*

*Lomonosov Moscow State University, Faculty of Mechanics and Mathematics,
GSP-1, Moscow, Vorob'evy Gory, 119991, Russia*

Victor Victorovich Dubov[†] and Vadim Konstantinovich Ivanov[‡]
Peter the Great St. Petersburg Polytechnic University, 195251, Russia

Alexander Yurievich Maslov,[§] Olga Vladimirovna Proshina,[¶] and Vladislav Gennadievich Malyshkin^{Ⓜ**}
Ioffe Institute, Politekhnikeskaya 26, St Petersburg, 194021, Russia

(Dated: Dec, 19, 2024)

`$Id: SuperQuantumMechanics.tex,v 1.142 2025/01/25 19:29:11 mal Exp $`

We introduce Super Quantum Mechanics (SQM) as a theory that considers states in Hilbert space subject to multiple quadratic constraints. Traditional quantum mechanics corresponds to a single quadratic constraint of wavefunction normalization. In its simplest form, SQM considers states in the form of unitary operators, where the quadratic constraints are conditions of unitarity. In this case, the stationary SQM problem is a quantum inverse problem with multiple applications in machine learning and artificial intelligence. The SQM stationary problem is equivalent to a new algebraic problem that we address in this paper. The SQM non-stationary problem considers the evolution of a quantum system, distinct from the explicit time dependence of the Hamiltonian, $H(t)$. Several options for the SQM dynamic equation are considered, and quantum circuits of 2D type are introduced, which transform one quantum system into another. Although no known physical process currently describes such dynamics, this approach naturally bridges direct and inverse quantum mechanics problems, allowing for the development of a new type of computer algorithm. Beyond computer modeling, the developed theory could be directly applied if or when a physical process capable of solving an inverse quantum problem in a single measurement act (analogous to wavefunction measurement in traditional quantum mechanics) is discovered in the future.

Dedicated to the memory of Iya Pavlovna Ipatova.

For the Schrödinger equation (1), the unitary operator U

$$U = \exp \left[-i \frac{t}{\hbar} H \right] \quad (3)$$

$$|\psi(t)\rangle = |U|\psi(0)\rangle \quad (4)$$

I. INTRODUCTION

Traditional quantum mechanics[1, 2] involves the time evolution of a wavefunction $|\psi\rangle$ (a unit-length vector) in Hilbert space.

$$i\hbar \frac{\partial \psi}{\partial t} = H\psi \quad (1)$$

A generalization of this dynamics defines a quantum channel [3, 4], which is considered as a trace-preserving positive map [5–8]. The simplest example of such a channel is a unitary mapping.

$$A^{OUT} = \mathcal{U}A^{IN}\mathcal{U}^\dagger \quad (2)$$

defines a quantum channel (2) that describes the time evolution of the initial state $|\psi(0)\rangle$, this can be expressed by setting $\mathcal{U} = U$ and $A^{IN} = |\psi(0)\rangle\langle\psi(0)|$. The most commonly studied quantum channel is the one that describes the evolution of a quantum system between t and $t + \tau$. If the system has a time-independent Hamiltonian H , the evolution over a finite time can be obtained through multiple applications of the quantum channel that describes the time evolution over a small interval τ . The time dependence of this quantum channel may arise solely from the explicit time dependence of the Hamiltonian, $H(t)$.

In this work, we generalize the system state from a unit-length vector $|\psi\rangle$ to a unitary operator \mathcal{U} , or, in the case of a mixed state, from a density matrix ρ to a mixed unitary channel Υ (50). We assume that the quantum channel can exhibit its own dynamics, possibly described by a non-stationary equation, with a solution in the form of a time-dependent unitary operator that generates a time-dependent quantum channel. While no known physical process is currently described by such dynamics, this approach naturally bridges direct and inverse quantum mechanics problems and provides valuable insights into

* mikhail.belov@tufs.pro

† dubov@spbstu.ru

‡ ivvadim@rambler.ru

§ maslov.ton@mail.ioffe.ru

¶ proshina.ton@mail.ioffe.ru

** malyshki@ton.ioffe.ru

machine learning and artificial intelligence [9, 10]. Aside from computer modeling, the developed theory will have direct applications if a physical process capable of solving an inverse quantum problem is discovered in the future.

The first step in approaching this problem is to introduce a stationary Schrödinger-like equation that describes a quantum inverse problem. In ‘‘Appendix D: A Numerical Solution to Quadratic Form Maximization Problem in Unitary Matrix Space’’ of Ref. [11] we formulated and later solved [12, 13] the quantum inverse problem. For a given sequence of observations $l = 1 \dots M$, of pure (5) or mixed states (6) mapping,

$$\psi^{(l)} \rightarrow \phi^{(l)} \quad (5)$$

$$\varrho^{(l)} \rightarrow \rho^{(l)} \quad (6)$$

the goal is to reconstruct the unitary operator \mathcal{U} (2) that optimally maps $A^{IN} = |\psi^{(l)}\rangle\langle\psi^{(l)}|$ to $A^{OUT} = |\phi^{(l)}\rangle\langle\phi^{(l)}|$, or for mixed states, $A^{IN} = \rho^{(l)}$ to $A^{OUT} = \varrho^{(l)}$ for all $l = 1 \dots M$. By interpreting l as time t (where $l \rightarrow l + 1$ corresponds to $t \rightarrow t + \tau$), the time evolution of a quantum system, $\psi^{(l)} \rightarrow \psi^{(l+1)}$, or, for mixed states, $\rho^{(l)} \rightarrow \rho^{(l+1)}$, can be described by setting $\phi^{(l)} = \psi^{(l+1)}$ or $\varrho^{(l)} = \rho^{(l+1)}$, respectively. This reconstruction can then be used to obtain the Hamiltonian by taking the logarithm of the unitary matrix \mathcal{U} [14]. There is no unique solution to Eq. (7); many different Hamiltonians can be used to implement a quantum gate \mathcal{U} [15].

$$H = i \frac{\hbar}{\tau} \ln \mathcal{U} \quad (7)$$

Our approach is applicable when the objective function \mathcal{F} (typically the total fidelity [3, 4] of the mapping) can be represented as a quadratic form¹ in the unitary operator \mathcal{U} .

$$\mathcal{F} = \sum_{j,j'=0}^{D-1} \sum_{k,k'=0}^{n-1} \mathcal{U}_{jk}^* S_{jk;j'k'} \mathcal{U}_{j'k'} \quad (8)$$

This is especially simple for pure state mappings, when (assuming, for now, that all $\omega^{(l)} = 1$),

$$\mathcal{F} = \sum_{l=1}^M \omega^{(l)} \left| \left\langle \phi^{(l)} \left| \mathcal{U} \left| \psi^{(l)} \right\rangle \right. \right|^2 \quad (9)$$

is a quadratic function of \mathcal{U} , which gives a simple expression.

$$S_{jk;j'k'} = \sum_{l=1}^M \omega^{(l)} \phi_j^{(l)*} \phi_{j'}^{(l)} \psi_k^{(l)*} \psi_{k'}^{(l)} \quad (10)$$

For mixed state mappings (6), the expression for the total fidelity \mathcal{F} involves

$$S_{jk;j'k'} = \sum_{l=1}^M \omega^{(l)} \tilde{\varrho}_{jj'}^{(l)*} \tilde{\rho}_{kk'}^{(l)*} \quad (11)$$

where $\tilde{\varrho}$ and $\tilde{\rho}$ are simple functions of ϱ and ρ . For example, to obtain the fidelity of mixed state unitary mapping, one needs to consider the mapping $\sqrt{\rho} \rightarrow \sqrt{\varrho}$, since for a unitary quantum channel (2), the same quantum channel transforms both ρ and $\sqrt{\rho}$ [13].

For a dynamic system where $\varrho^{(l)} = \rho^{(l+1)}$, the calculation of $S_{jk;j'k'}$ is effectively reduced to an autocorrelation with a delay of τ .

$$S_{jk;j'k'} = \sum_{l=1}^M \omega^{(l)} \tilde{\rho}_{jj'}^{(l+1)*} \tilde{\rho}_{kk'}^{(l)*} \quad (12)$$

If it were a classical system, this calculation would be equivalent to computing a time-average. In quantum systems, however, the situation is more complex since the measurement of $\rho^{(l)}$ destroys the state, making $\rho^{(l+1)}$ at the next step potentially unavailable. Recently, new approaches have been developed that allow for the measurement of even multiple-time autocorrelations in quantum systems[16]. This way, the $S_{jk;j'k'}$ is obtained from the single-time density matrix autocorrelation by continuous observation of the system state.

Alternatively, instead of continuous observation of the system state, one can obtain the $S_{jk;j'k'}$ using a process typical for quantum computations. In quantum computations, an initial state $|\psi^{(0)}\rangle$ is prepared in a specific state of qubits. Then, a unitary transformation corresponding to the required quantum circuit is applied, and the result is measured. Similarly, we can create $|\psi^{(0)}\rangle$ randomly and measure the result $|\psi^{(\tau)}\rangle$ of the system’s evolution. In this approach, instead of continuous observation of the system, we randomly create the initial state M times and measure the result of its evolution. This process may be easier to implement than continuous observation of a quantum system’s state. It is also simpler than the process of quantum computation, as $|\psi^{(0)}\rangle$ is taken randomly and does not need to be prepared in a specific state.

In any case, the $S_{jk;j'k'}$ of a quantum system, which we aim to identify, must be measured in one way or another. The fidelity of this identification with a ‘‘probe operator’’ \mathcal{U} can be expressed in the quadratic form of \mathcal{U} , as given in (8). The goal is to find the operator \mathcal{U} that maximizes the fidelity. In the case of perfect matching, this results in a fidelity equal to the number of observations in (5), $\mathcal{F} = M$, when $\omega^{(l)} = 1$.

This paper is accompanied by a software which is available from Ref. [17]; all references to code in the paper correspond to this software.

¹ In this work, we changed the notation used in [12, 13] from $\langle a | b \rangle = \sum_j a_j b_j^*$ to the common one in traditional quantum mechanics, $\langle a | b \rangle = \sum_j a_j^* b_j$.

II. A STATIONARY SCHRÖDINGER-LIKE EQUATION

In traditional quantum mechanics, a quantum state (pure state case) is a unit-length vector $|\psi\rangle$ in **Hilbert space**. Quantum dynamics describes the time evolution of this vector within it. The Hilbert space is formally defined as an infinite-dimensional vector space (with a countable number of basis vectors) equipped with an inner product. However, we also refer to finite-dimensional spaces as Hilbert spaces in this context. The inner product $\langle\psi|\phi\rangle$ can be defined as

$$\langle\psi|\phi\rangle = \sum_{j,k=0}^{N-1} \psi_j^* Q_{jk} \phi_k \quad (13)$$

with an arbitrary positively definite Hermitian matrix Q_{jk} . It can be reduced to a familiar form

$$\langle\psi|\phi\rangle = \sum_{i=0}^{N-1} \psi_i^* \phi_i \quad (14)$$

through a basis linear transformation. Traditional quantum mechanics consists of finding a stationary state $|\psi\rangle$ or its time evolution $|\psi^{(t)}\rangle$, where the state is subject to a single quadratic constraint.

$$1 = \sum_{i=0}^{N-1} |\psi_i|^2 \quad (15)$$

In our previous works [12, 13] on the inverse problem in quantum mechanics, states with multiple quadratic constraints naturally arise. The simplest form of this type of state is a unitary (or partially unitary) operator \mathcal{U} , represented by the matrix \mathcal{U}_{jk} , where $j = 0 \dots D-1$, $k = 0 \dots n-1$, and $D \leq n$, satisfying the constraints.

$$G_{ij} = \sum_{k=0}^{n-1} \mathcal{U}_{ik} \mathcal{U}_{jk}^* \quad i, j = 0 \dots D-1 \quad (16)$$

$$\delta_{ij} = G_{ij} \quad (17)$$

The Gram matrix (16), introduced as the partial convolution of \mathcal{U}_{jk} , is a unit matrix for partially unitary \mathcal{U}_{jk} . When $D = n$, condition (17) represents the unitarity of \mathcal{U}_{jk} . In this case, it can equivalently be written in the form

$$\delta_{kq} = \sum_{j=0}^{D-1} \mathcal{U}_{jk}^* \mathcal{U}_{jq} \quad k, q = 0 \dots n-1 \quad (18)$$

but this form cannot be satisfied when $D < n$. However, condition (17) allows this case to be studied. The unitary operator \mathcal{U} creates a transformation of an arbitrary operator A , acting as a quantum channel (2).

The constraints in (17) can be conveniently interpreted as the transformation of the unit matrix A^{IN} into the

unit matrix A^{OUT} using the quantum channel (2). When $D = n$, the quantum channel represents a trace-preserving map, which can describe, for example, the evolution of a density matrix ρ_{jk} for a quantum system. When $D < n$, this is a trace-decreasing map, which is typically not used in the study of quantum systems but may be very beneficial for exploring numerical algorithms. Below, we assume the $D = n$ case for all actual quantum dynamics, while the $D < n$ case is currently used only for testing numerical algorithms.

Other forms of quadratic constraints[13] arise, for example, when considering quantum channels, such as a general quantum channel[7]

$$A^{OUT} = \sum_{s=0}^{N_s-1} B_s A^{IN} B_s^\dagger \quad (19)$$

with a Kraus rank $N_s > 1$. However, in this work, we primarily focus on unitary channels (2). Partial unitarity constraints (17) comprise D conditions for the diagonal elements to be equal to one and $D(D-1)/2$ conditions for the off-diagonal elements to be equal to zero. The sum of all diagonal elements is called ‘‘simplified’’ (partial) quadratic constraint being of special importance to numerical method[12]²

$$D = \sum_{j=0}^{D-1} \sum_{k=0}^{n-1} |\mathcal{U}_{jk}|^2 \quad (20)$$

If we were to consider only the partial constraints (20), this would effectively be the problem (15), with the vector ψ_i obtained from the operator \mathcal{U}_{jk} by **vectorization**, saving all \mathcal{U}_{ik} matrix elements into a single vector, row by row, to obtain a vector ψ_i of dimension $N = Dn$.

The key novel element of this study is the introduction of ‘‘super quantum’’ states, described by the unitary operator \mathcal{U} , instead of representing a state by a vector ψ as in traditional quantum mechanics. Whereas there is currently no known physical process that can be described by a state represented by a vector in Hilbert space subject to several quadratic constraints (e.g., a unitary operator \mathcal{U}), such processes may be constructed or modeled in the future. They naturally bridge direct and inverse quantum mechanics problems, for which we have developed an efficient algebraic iterative algorithm to find the global maximum [12, 13]. The quantum states now become unitary operators, and the operators transforming them become superoperators. The entire theory can be referred to as Super Quantum Mechanics. We define *Super Quantum Mechanics* (SQM) as the theory in which

² The transformation T , which converts an operator \mathcal{U} satisfying Eq. (20) into a unitary operator $\tilde{\mathcal{U}} = T\mathcal{U}$ satisfying Eq. (17), which is used in the numerical method and discussed in ‘‘Appendix A2. Adjustment of Operators to Orthogonal’’ of Ref. [13], corresponds to $TGT^\dagger = \mathbf{1}$, and since $G = \mathcal{U}\mathcal{U}^\dagger$ is Hermitian, it reduces to the calculation of the inverse square root of G , $T = T^\dagger = G^{-1/2}$.

quantum states are described by a vector in Hilbert space subject to *several* quadratic constraints, such as (17) for states in the form of unitary operators \mathcal{U} . When there is only a single quadratic constraint, (15) with a vector of unit norm, we obtain traditional quantum mechanics as the limiting case. SQM can be viewed as an approach that considers system states at the intersection of manifolds, each being a second-order surface. The number of surfaces that intersect equals the number of constraints in (17), and their intersection is not always transversal. The iterative method developed for finding the global maximum [12, 13] involves replacing, at each iteration, the $D(D+1)/2$ quadratic constraints (17) with a single simplified quadratic constraint (20) and $D(D+1)/2 - 1$ homogeneous linear constraints, which are obtained as tangents to the constraint surfaces at the point of the current iteration. Traditional quantum mechanics corresponds to considering states on the unit sphere, greatly simplifying the matter. Similarly, it is more convenient to develop the theory in a regular Hilbert space with multiple quadratic constraints (17), rather than in the space of intersections of multiple second-order surfaces.

After defining the system state with the unitary operator \mathcal{U}_{jk} , we introduce a quadratic form used in a Hamiltonian-like manner. In traditional quantum mechanics, with the single constraint (15), this would correspond to a familiar quadratic expression, where the Hamiltonian H_{ij} is represented as a Hermitian matrix.

$$\mathcal{F} = \sum_{i,j=0}^{N-1} \psi_i^* H_{ij} \psi_j \quad (21)$$

When a quantum state is defined by a unitary matrix \mathcal{U}_{jk} (e.g., in the quantum inverse problem), the total fidelity of pure state mapping [12], $\psi_l \rightarrow \phi_l$, $l = 1 \dots M$, which is defined as (9), is a quadratic function of \mathcal{U} and can therefore be represented as a quadratic form (8).

For mixed state unitary mappings, the fidelity can also be represented in this form with some $S_{jk;j'k'}$ by considering the $\sqrt{\rho} \rightarrow \sqrt{\sigma}$ mapping [13]. The quadratic form on \mathcal{U}_{jk} with a Hermitian tensor $S_{jk;j'k'} = S_{j'k';jk}^*$ is the most general form of a quadratic real function on \mathcal{U}_{jk} .

Whereas a traditional quantum system is defined by a Hamiltonian, represented as a Hermitian matrix H_{ij} , with states ψ_i subject to a single quadratic constraint (15), we propose that a super quantum system is defined by a “super-Hamiltonian”, now represented as a Hermitian tensor $S_{jk;j'k'}$. In this case, the states \mathcal{U} are unitary operators represented by the matrices \mathcal{U}_{jk} , which are subject to the constraints (17). The superoperator $S_{jk;j'k'}$ replaces the Hamiltonian H_{ij} .

The ground state stationary solution of the super quantum system with “super-Hamiltonian” $S_{jk;j'k'}$ consists in finding the global maximum/minimum of (8) with \mathcal{U}_{jk} subject to (17) constraints. There currently exists an efficient algebraic-type algorithm [12, 13] capable of solving this problem for a large enough n . See [13] for an evaluation of its computational complexity.

Let us reformulate the optimization problem of maximizing (8) into an algebraic form. By constructing the Lagrangian \mathcal{L} with the constraints (17) conjugated, and varying it with respect to \mathcal{U}_{jk} ,

$$\begin{aligned} \mathcal{L} = & \sum_{j,j'=0}^{D-1} \sum_{k,k'=0}^{n-1} \mathcal{U}_{jk}^* S_{jk;j'k'} \mathcal{U}_{j'k'} \\ & + \sum_{j,j'=0}^{D-1} \lambda_{jj'} \left[\delta_{jj'} - \sum_{k=0}^{n-1} \mathcal{U}_{jk}^* \mathcal{U}_{j'k} \right] \xrightarrow{\mathcal{U}} \max \end{aligned} \quad (22)$$

we derive a novel algebraic problem[11].

$$S\mathcal{U} = \lambda\mathcal{U} \quad (23)$$

The superoperator S is a tensor $S_{jk;j'k'}$, the “eigenvector” \mathcal{U} is a partially unitary operator \mathcal{U}_{jk} , and the “eigenvalue” λ is a Hermitian $D \times D$ matrix of Lagrange multipliers λ_{ij} , an “eigenmatrix” instead of the usual eigenvalue-scalar. This is a new algebraic problem, and currently, only a numerical solution is available[12, 13]. For a given fidelity tensor $S_{jk;j'k'}$ (8), the unitary operator \mathcal{U}_{jk} at the global maximum provides the best solution to the quantum mechanics inverse problem.

This type of optimization problem can be reduced to the algebraic problem (23) only when the fidelity, \mathcal{F} , is a quadratic function of \mathcal{U} (8). For more general forms of \mathcal{F} , such as higher-order polynomials or the square root of multiple quadratic terms, the algebraic problem cannot be formulated. In such cases, numerical algorithms are typically employed, involving mathematical analysis tools and techniques such as derivatives, gradients, Hessian matrices, and others[18]. Our numerical solution [12, 13] represents a transition from relying on mathematical analysis to employing algebraic tools, specifically eigenproblem-type methods, where solving an eigenvalue problem serves as a building block of our iterative algorithm to the problem (23). This approach is applicable only when the optimization problem is a QCQP (Quadratically Constrained Quadratic Program).

III. BASIC PROPERTIES OF THE ALGEBRAIC PROBLEM $S\mathcal{U} = \lambda\mathcal{U}$

The algebraic problem (23) has a number of remarkable features. It has a number of solutions

$$S\mathcal{U}^{[s]} = \lambda^{[s]}\mathcal{U}^{[s]} \quad (24)$$

The total number of solutions is up to Dn , $s = 0 \dots Dn - 1$. For Hermitian tensor $S_{jk;j'k'}$ (8), the eigenmatrix $\lambda^{[s]}$ is a Hermitian matrix of dimension $D \times D$. The fidelity \mathcal{F} (8) in the state $\mathcal{U}^{[s]}$ is equal to the trace $\mathcal{F} = \text{Tr}\lambda^{[s]}$. Compare this with a regular eigenproblem, $|H|\psi\rangle = \lambda|\psi\rangle$, obtained from (21), where $\lambda^{[s]}$ is a scalar and $\mathcal{F} = \lambda^{[s]}$. The superoperator $S_{jk;j'k'}$ can be interpreted as encompassing many Hamiltonians, where each solution (24) corresponds

to one of them. The Lagrange multiplier matrix $\lambda^{[s]}$ can be interpreted as the ‘‘Hamiltonian’’ of a quantum system. The ‘‘ground state’’ solution, selected from among these quantum systems, corresponds to the solution with the maximum $\text{Tr}\lambda^{[s]}$.

These ‘‘Hamiltonians’’ $\lambda^{[s]}$ should be distinguished from regular Hamiltonians that describe the quantum system dynamics, which is given by the logarithm of $\mathcal{U}^{[s]}$ (7). In this way, the solution to the algebraic problem, represented by the pair $\lambda^{[s]}, \mathcal{U}^{[s]}$, describes *two* Hamiltonians. While the dynamics governed by $\ln \mathcal{U}^{[s]}$ (7) represent regular quantum dynamics, the dynamics governed by $\lambda^{[s]}$ can be interpreted as the evolution of the quantum channel itself, possibly describing the time evolution of the quantum system as a whole. The $\lambda^{[s]}$ and $\mathcal{U}^{[s]}$ are related as described in Eq. (45).

Orthogonality conditions are somewhat unusual. If we consider Eq. (24) to hold for all components without exception for certain projections (see Appendix A below), we obtain the orthogonality condition. By multiplying the equation for s by $\mathcal{U}^{[s']}$ and summing, we derive the orthogonality condition

$$\begin{aligned} \langle \mathcal{U}^{[s']} | \lambda^{[s']\dagger} | \mathcal{U}^{[s]} \rangle &= \langle \mathcal{U}^{[s']} | \lambda^{[s]} | \mathcal{U}^{[s]} \rangle \quad (25) \\ \sum_{j,j'=0}^{D-1} \sum_{k=0}^{n-1} (\lambda_{jj'}^{[s']} \mathcal{U}_{j'k}^{[s']})^* \mathcal{U}_{jk}^{[s]} &= \sum_{j,j'=0}^{D-1} \sum_{k=0}^{n-1} \mathcal{U}_{jk}^{[s']*} \lambda_{jj'}^{[s]} \mathcal{U}_{j'k}^{[s]} \quad (26) \end{aligned}$$

This is analogous to the familiar orthogonality condition for eigenvectors $\delta_{ss'} = \langle \psi^{[s]} | \psi^{[s']} \rangle$. In traditional quantum mechanics, where $\lambda^{[s]}$ is a scalar (which can be considered as $D = 1$), the relation (25) in the non-degenerate case $\lambda^{[s]} \neq \lambda^{[s']}$ leads to a λ -independent orthogonality condition $0 = \langle \psi^{[s]} | \psi^{[s']} \rangle$. In contrast, in super quantum mechanics, where $\lambda^{[s]}$ is a Hermitian matrix and $\mathcal{U}^{[s]}$ is a unitary operator, the orthogonality condition (25) depends on $\lambda^{[s]}$.

Consider the matrix of fidelity $\mathcal{F}_{ss'}$ in the basis of the solutions $\mathcal{U}^{[s]}$ (24).

$$\mathcal{F}_{ss'} = \langle \mathcal{U}^{[s]} | S | \mathcal{U}^{[s']} \rangle = \sum_{j,j'=0}^{D-1} \sum_{k,k'=0}^{n-1} \mathcal{U}_{jk}^{[s]*} S_{jk;j'k'} \mathcal{U}_{j'k'}^{[s']} \quad (27)$$

One can directly verify that the orthogonality condition (25) for Eq. (24) is consistent with the Hermiticity of $\mathcal{F}_{ss'} = \mathcal{F}_{s's}^*$.

The inconvenience of the previous state orthogonality condition (25) lies in the difficulty of representing the tensor $S_{jk;j'k'}$ as a superposition of contributions from different $\mathcal{U}_{jk}^{[s]}$ solutions, as well as challenges in numerical implementation (see Appendix A). In [13], we introduced a state orthogonality condition in the form

$$0 = \mathcal{F}_{ss'} = \langle \mathcal{U}^{[s]} | S | \mathcal{U}^{[s']} \rangle \quad (28)$$

which corresponds to the matrix $\mathcal{F}_{ss'}$ (27) being zero for $s \neq s'$. The condition (28) allows for the tensor $S_{jk;j'k'}$ to be represented as

$$S \approx \sum_{s=0}^{N_s-1} \frac{1}{\mathcal{F}_{ss}} |S | \mathcal{U}^{[s]} \rangle \langle \mathcal{U}^{[s]} | S | \quad (29)$$

The main advantage of (28) is that the matrix $\mathcal{F}_{ss'}$ (27) for an approximated S from (29) with the full $N_s = Dn$ basis is equal to the corresponding matrix with the exact S . The numerical implementation is also significantly simplified. The disadvantage of (28) is that, in Eq. (24) for the solution s in the hierarchy, is not satisfied for certain projections, the number of which equals the number of previous states in the hierarchy. However, the relation $\mathcal{F}_{ss} = \text{Tr}\lambda^{[s]}$ always holds exactly. This follows from the construction method of the solutions hierarchy: we determine $\mathcal{U}_{jk}^{[s]}$ by maximizing \mathcal{F} (8), with $\mathcal{U}_{jk}^{[s]}$ subject to the constraints imposed by the previous states ($s' = 0 \dots s-1$), whether using (28) or (25). This problem does not arise for a regular eigenproblem ($D = 1$ and $\lambda^{[s]}$ is a scalar), where the conditions (28) and (25) coincide. For the ground state ($s = 0$), all projections are always satisfied, as there are no prior state constraints applied.

A typical application of the (28) hierarchy is that, for a non-unitary operator \mathcal{V} providing some fidelity $\mathcal{F} = \langle \mathcal{V} | S | \mathcal{V} \rangle$, we can construct a mixed unitary channel (33) that achieves the same fidelity.

$$\mathcal{V} = \sum_{s=0}^{N_s-1} w_s \mathcal{U}^{[s]} \quad (30)$$

$$w_s = \frac{\langle \mathcal{V} | S | \mathcal{U}^{[s]} \rangle}{\mathcal{F}_{ss}} \quad (31)$$

$$\langle \mathcal{V} | S | \mathcal{V} \rangle = \sum_{s=0}^{N_s-1} |w_s|^2 \langle \mathcal{U}^{[s]} | S | \mathcal{U}^{[s]} \rangle \quad (32)$$

Equation (32) holds exactly only for the full basis $N_s = Dn$. Note that the Kraus rank (the minimal number of terms N_s in (19)) may differ from the mixed unitary rank (the minimal number of terms N_s in (33)), where $1 = \sum_{s=0}^{N_s-1} |w_s|^2$.

$$A^{OUT} = \sum_{s=0}^{N_s-1} |w_s|^2 \mathcal{U}^{[s]} A^{IN} \mathcal{U}^{[s]\dagger} \quad (33)$$

An important feature of a regular eigenproblem is the ability to find a unitary transformation that determines the basis in which the matrix is diagonal. The problem we consider in this paper is more complex, as there are multiple solutions to (23), and each solution consists of a pair of matrices, $\lambda_{ij}^{[s]}, \mathcal{U}_{jk}^{[s]}$. The hierarchy we constructed above relates these different solutions. Contrary to the regular eigenproblem, the selection of a linear constraint for orthogonality to the previous solution can take different forms, such as (28) or (25). Each form creates its own hierarchy.

A. The density of states of the solutions hierarchy

Let there be a hierarchy of solutions, $\lambda_{ij}^{[s]}$, $\mathcal{U}_{jk}^{[s]}$, and suppose we want to classify them according to some scalar criteria. In traditional quantum mechanics, this classification is based on the Hamiltonian eigenvalues, which determine the density of states — that is, the number of eigenvalues within a given energy range. Now, we have a superoperator $S_{jk;j'k'}$ instead of a Hamiltonian and eigenmatrices $\lambda_{ij}^{[s]}$ instead of energy levels. Since the fidelity of $\mathcal{U}_{jk}^{[s]}$ is equal to the trace of the eigenmatrix, $\mathcal{F} = \text{Tr}\lambda^{[s]}$, a straightforward way to classify the states based on a scalar parameter is to classify them according to the solution's fidelity. This “density of states” will describe not only the quantum system (7) corresponding to $\mathcal{U}_{jk}^{[s]}$, but also the sample of M observations (5) from which the data is taken to construct $S_{jk;j'k'}$. For a quantum system H undergoing Schrödinger equation (1) dynamics, whether the sample is generated using an initial state $\psi^{(0)}$ with continuous observation of the system state $\psi^{(t)}$ at equidistant time moments $t = l\tau$, or from M randomly created initial states $\psi^{(0)}$ with observation of the corresponding M states $\psi^{(\tau)}$, the ground state solution $\mathcal{U}_{jk}^{[0]}$ is precisely given by (3), and the total fidelity is $\mathcal{F}^{[0]} = \text{Tr}\lambda^{[0]} = M$. But the algebraic problem (23) has a number of other solutions, $\mathcal{U}_{jk}^{[s]}$, each with fidelity $\mathcal{F}^{[s]} \leq \mathcal{F}^{[0]}$. The corresponding Hamiltonian $H^{[s]}$ can be obtained from $\mathcal{U}_{jk}^{[s]}$ as in (7). The question is how the $H^{[s]}$ corresponding to other solutions $\mathcal{U}_{jk}^{[s]}$ relate to the Hamiltonian H used to generate the sample. The first characteristic to consider is the density of states – the number of solutions in the interval $[\mathcal{F}, \mathcal{F} + d\mathcal{F}]$. From symmetry considerations, there should be a single solution (unless the problem is degenerate) corresponding to the minimal \mathcal{F} (such minimal \mathcal{F} solutions arise in the study of variational quantum algorithms[19, 20]). The density of states exhibits one or more maxima in the intermediate region, and we believe that this distribution is primarily influenced by the sample of states (5) used to create $S_{jk;j'k'}$, rather than by the Hamiltonian H governing the underlying state evolution. The current numerical implementation[17] has difficulty obtaining more than a dozen solutions to (23). Thus, the study of the density of states will be the subject of our future research.

B. Canonical form of a unitary quantum channel

We considered above the hierarchy of solutions to the algebraic problem (23). Now, let us construct the transformation of a given solution into the basis in which it takes its canonical form. Consider a solution λ_{ij} , \mathcal{U}_{jk} of (23) obtained using the algorithm developed in [12]. The matrix λ_{ij} is a Hermitian matrix corresponding to a “Hamiltonian”, and \mathcal{U}_{jk} is a partially unitary operator that satisfies

(17). We define the canonical form of this solution as the one in which λ_{ij} is diagonal and \mathcal{U}_{jk} is the unit matrix.

Theorem: Any λ_{ij} , \mathcal{U}_{jk} solution can be transformed to a canonical basis when $D = n$.

Proof: The original \mathcal{U} can be expressed as

$$\mathcal{U} = \mathfrak{U}^\dagger \mathfrak{U} \mathfrak{V}^\dagger \mathfrak{V} \quad (34)$$

where \mathfrak{U} and \mathfrak{V} are arbitrary unitary operators. Then,

$$\tilde{\mathcal{U}} = \mathfrak{U} \mathfrak{U}^\dagger \quad (35)$$

$$\tilde{\mathcal{U}}_{jk} = \sum_{i=0}^{D-1} \sum_{q=0}^{n-1} \mathfrak{U}_{ji} \mathfrak{U}_{iq} \mathfrak{V}_{kq}^* \quad (36)$$

can be considered as \mathcal{U} in the new basis. The transformation (35) preserves unitarity. The wrapping operators \mathfrak{U}^\dagger and \mathfrak{V} in (34) are included in S to obtain \tilde{S} in the new basis determined by chosen \mathfrak{U} and \mathfrak{V} . Thus, the simultaneous transformation of \mathcal{U} to $\tilde{\mathcal{U}}$ and S to \tilde{S} is an identity transformation (34); it can be viewed as a change of representation in traditional quantum mechanics.

$$\mathcal{F} = \langle \mathcal{U} | S | \mathcal{U} \rangle = \langle \tilde{\mathcal{U}} | \tilde{S} | \tilde{\mathcal{U}} \rangle \quad (37)$$

$$\tilde{S}_{jk;j'k'} = \sum_{i,i'=0}^{D-1} \sum_{q,q'=0}^{n-1} \mathfrak{U}_{ji} \mathfrak{V}_{kq}^* S_{iq;i'q'} \mathfrak{U}_{j'i'}^* \mathfrak{V}_{k'q'} \quad (38)$$

For a given solution λ_{ij} , \mathcal{U}_{jk} to (23), the basis transformation to the canonical form consists of two steps:

- Select \mathfrak{U} such that λ_{ij} becomes diagonal. This corresponds to Eq. (B8) of Ref. [13], where the unitary operator \mathfrak{U} is constructed by containing all the eigenvectors of the matrix λ_{ij} . This transformation is possible if $D \leq n$.
- Select \mathfrak{V} in such a way that $\tilde{\mathcal{U}}$ (35) becomes diagonal. Choose

$$\mathfrak{V} = \mathfrak{U} \mathcal{U} \quad (39)$$

Here, \mathcal{U} represents the solution in the initial basis, and the operator \mathfrak{U} was obtained in the previous step as the eigenvectors of λ_{ij} . This transformation is possible only if $D = n$, as \mathfrak{V} is unitary only in this case.

Thus, without loss of generality, any given stationary solution λ_{ij} , \mathcal{U}_{jk} of (23) can be considered with λ_{ij} being diagonal and \mathcal{U}_{jk} being the unit matrix. Otherwise, the described transformations \mathfrak{U} and \mathfrak{V} should be applied as shown in (35) and (38). ■

$$\lambda_{ij} = \lambda_i \delta_{ij} \quad (40)$$

$$\mathcal{U}_{jk} = \delta_{jk} \quad (41)$$

Note: This algorithm transforms only a single given solution to canonical form. We do not have a method for simultaneously converting several solutions to canonical

form. The reason we were able to simultaneously satisfy both (40) and (41) is that for an arbitrary unitary \mathfrak{U} , the transformation $\mathcal{U} = \mathcal{U}\mathfrak{U}$, with the corresponding adjustment of S (38), does not change the Lagrange multipliers λ_{ij} . This allowed us to first choose \mathcal{U} to satisfy (40) and then \mathfrak{U} to satisfy (41). See `com/polytechnik/kg0/TestCanonicalForm.java` for a unit test that demonstrates this theorem's proof. Also note that since λ_{ij} and \mathcal{U}_{jk} are both diagonal in the canonical basis, they commute. It might appear that UU , where U is an arbitrary diagonal unitary operator (which also commutes with λ), could be a solution for the same S . However, this is not the case because the tensor $S_{jk;j'k'}$ acts on \mathcal{U}_{jk} as a whole, i.e. in the canonical basis $\sum_i S_{jk;ii} = \lambda_j \delta_{jk}$. The distinction between tensor and matrix multiplication implies that, in the canonical basis, UU is not a solution for a diagonal unitary operator U . For a general non-degenerate $S_{jk;j'k'}$, the only available degree of freedom is a common phase $\exp(i\xi)\mathcal{U}_{jk}$.

IV. MEASUREMENT UNIT AND POST-MEASUREMENT STATE COLLAPSE RULE

In traditional quantum mechanics, any observable corresponds to a Hermitian operator R , and its expected value is determined for a quantum state $|\psi\rangle$ as

$$R_{ex} = \langle \psi | R | \psi \rangle \quad (42)$$

This equation is often interpreted to mean that the actually observed value corresponds to one of the eigenvalues of the operator R . However, different realizations (eigenstates of R) have associated probabilities, and Eq. (42) provides the expected value. Importantly, the act of measurement destroys the state $|\psi\rangle$: the state $|\psi\rangle$ is reduced to a single eigenstate of R due to the measurement process, a so-called wavefunction collapse[21, 22].

Similarly, in super quantum mechanics, we have a Hermitian superoperator $R_{jk;j'k'}$ and its corresponding observable scalar value. The expected value R_{ex} of the measurement process in the \mathcal{U}_{jk} pure state and in the Υ mixed state (51) is given by:

$$R_{ex} = \langle \mathcal{U} | R | \mathcal{U} \rangle = \sum_{j,j'=0}^{D-1} \sum_{k,k'=0}^{n-1} \mathcal{U}_{jk}^* R_{jk;j'k'} \mathcal{U}_{j'k'} \quad (43)$$

$$R_{ex} = \text{Tr} \Upsilon R = \sum_{s=0}^{N_s-1} P^{[s]} \langle \mathcal{U}^{[s]} | R | \mathcal{U}^{[s]} \rangle \quad (44)$$

In traditional quantum mechanics, the state $|\psi\rangle$ is destroyed after the measurement act (42). In contrast, the measurement (43) involves a quantum channel \mathcal{U} as the state. The measurement process may affect the wavefunction $|\psi\rangle$ and the unitary quantum channel \mathcal{U} differently. For now, we assume that the quantum channel \mathcal{U} is destroyed after the measurement act. However, the post-measurement destruction rules for wavefunctions and quantum channels may ultimately differ.

The superoperator nature of our theory introduces another important aspect of measurement. In traditional quantum mechanics, the approach of a positive operator-valued measure (POVM) generalizes the familiar projection-valued measure [3]. In our theory, the eigenvalue itself can be a matrix. For example, consider the case where $R = S$, and $\mathcal{U}^{[s]}$ and $\lambda^{[s]}$ are the solutions and corresponding eigenmatrices of (24). A traditional measurement act can be interpreted as determining which corresponding operator eigenvalue is observed, while the expected value is given by (42). Similarly, in super quantum mechanics, the measurement act can potentially be interpreted as determining which of its eigenmatrices (when $R = S$, the ‘‘Hamiltonians’’ λ that are contained in S) are actually realized, whereas the expected value of λ in state \mathcal{U} is given by the formula used in the numerical algorithm.

$$\lambda_{ji} = \text{Herm} \sum_{m=0}^{D-1} \sum_{k,q=0}^{n-1} \mathcal{U}_{ik}^* S_{jk;mq} \mathcal{U}_{mq} \quad (45)$$

The expected scalar value is then $\lambda_{ex} = \text{Tr} \lambda_{ij}$ (43). This raises the question of what the measurable unit is in super quantum mechanics: whether it is a scalar (as in traditional quantum mechanics) or a Hermitian matrix? Since the corresponding algebraic problem (23) has eigenmatrices as its spectrum, rather than the usual eigenvalues (scalars), we are inclined to believe that the measurement unit is a Hermitian matrix. For example, in traditional quantum mechanics, the most commonly measured or calculated value is the minimal eigenvalue of the Hamiltonian, the ground state energy level. Similarly, in super quantum mechanics, the most important characteristic is the state corresponding to the maximal fidelity (8), which is obtained as a solution to the inverse quantum problem. By solving this, we find the Hamiltonian $\lambda^{[0]}$ that provides the maximal possible fidelity $\mathcal{F} = \text{Tr} \lambda^{[0]}$. This analogy leads us to believe that the unit that can be measured at once in super quantum mechanics is a Hermitian matrix. As the eigenproblem (with scalar eigenvalues) lies at the foundation of traditional quantum mechanics [1], we believe that the algebraic problem (23), with ‘‘eigenvalues’’ being Hermitian matrices, lies at the foundation of super quantum mechanics, which describes quantum channels. For a given tensor $S_{jk;j'k'}$, in the work [12], we have developed a numerical algorithm that computes the pair $\lambda_{ij}^{[0]}, \mathcal{U}_{jk}^{[0]}$. This is analogous to the calculation (from a given Hamiltonian) of the eigenvalue-eigenvector pair $\lambda^{[0]}, \psi_j^{[0]}$, corresponding to the ground state in traditional quantum mechanics. As in traditional quantum mechanics, where a physical measurement yields the energy value $\lambda^{[s]}$ (a scalar) from the Hamiltonian spectrum, we propose that in super quantum mechanics, there might exist a physical measurement process capable of yielding the ‘‘Hamiltonian’’ $\lambda^{[s]}$ (a Hermitian matrix) from the spectrum of $S_{jk;j'k'}$. This measurement will result in $\lambda^{[s]}$ with a probability proportional to $\mathcal{F} = P^{[s]} \text{Tr} \lambda^{[s]}$, making $\lambda^{[0]}$ the most probable outcome if the initial assumption that $P^{[s]}$ are all equal holds.

V. A TIME-DEPENDENT SCHRÖDINGER-LIKE EQUATION FOR THE DYNAMICS OF A UNITARY OPERATOR

After deriving the stationary Schrödinger-like equation (23), the next objective is to develop an analogue of the non-stationary Schrödinger-like equation to describe the dynamics of a quantum channel defined by a unitary operator. Whereas the stationary problem has a clear meaning in the context of the quantum inverse problem, the non-stationary problem does not. It may be viewed as an alternative to the time-dependent Hamiltonian method for constructing a time-dependent quantum channel. Nevertheless, it may be interesting, from a methodological point of view, to consider alternative sources of time dependence. In [13], we examined the equation

$$i\hbar \frac{\partial \mathcal{U}}{\partial t} = S\mathcal{U} \quad (46)$$

The solution becomes a unitary operator \mathcal{U} instead of a vector ψ , and the Hamiltonian H is replaced by a super-operator S (8). One can formally attempt to write the solution $\mathcal{U}^{(t)}$ as

$$\mathcal{U}^{(t)} = \exp\left[-i\frac{t}{\hbar}S\right]\mathcal{U}^{(0)} \quad (47)$$

by considering the tensor $S_{jk;j'k'}$ as a Hermitian matrix of dimensions $Dn \times Dn$ and \mathcal{U} as a vector of dimension Dn . However, the solution $\mathcal{U}^{(t)}$ (47) only satisfies the simplified constraint (20) and fails to satisfy the unitarity conditions (17).

A general S , which encompasses many different Hamiltonians, complicates the problem. In [13], we introduced a form containing only a single Hamiltonian, λ , typically corresponding to the ground state, and referred to this S as the single Hamiltonian approximation.

$$S_{jk;j'k'} \approx \lambda_{jj'}\delta_{kk'} \quad (48)$$

This is a highly degenerate $S_{jk;j'k'}$. The maximal fidelity then applies to an arbitrary unitary operator. This form of S is straightforward to consider and serves as a good starting point for various approximations, but it lacks a key feature of the inverse problem — the existence of multiple solutions to the stationary problem (24), where each eigenmatrix $\lambda^{[s]}$ corresponds to a distinct quantum system with its own fidelity, $\mathcal{F} = \text{Tr}\lambda^{[s]}$. However, even in the single Hamiltonian approximation, the $\mathcal{U}^{(t)}$ dynamics obtained using it does not yield a straightforward stationary solution. As discussed at the end of Section III B, for a general $S_{jk;j'k'}$, only the common phase can change to preserve the total fidelity $\mathcal{F} = \text{Tr}\lambda$ in the stationary case.

Another distinction from traditional quantum mechanics lies in the role of superpositions of solutions. If the initial state $\mathcal{U}^{(0)}$ is a superposition of the solutions $\mathcal{U}^{[s]}$ to the stationary problem (24),

$$\mathcal{U}^{(0)} = \sum_{s=0}^{N_s-1} a_s \mathcal{U}^{[s]} \quad (49)$$

then the initial $\mathcal{U}^{(0)}$ is not necessarily unitary. The violation of unitarity arising from the state superposition has deep physical significance. A superposition of eigenstates (49) is not a unitary operator and, therefore, does not represent a physical state. Two possible resolutions exist.

First one involves introducing the density supermatrix Υ . Similarly to how, in quantum mechanics, the density matrix is formed as a convex combination of pure states, we can consider a convex combination of unitary channels as a mixed state in super quantum mechanics. Note that not every quantum channel (19) can be represented as a mixed unitary one [23].

$$\Upsilon = \sum_{s=0}^{N_s-1} P^{[s]} \left| \mathcal{U}^{[s]} \right\rangle \left\langle \mathcal{U}^{[s]} \right| \quad (50)$$

$$\mathcal{F} = \text{Tr}\Upsilon S = \sum_{s=0}^{N_s-1} P^{[s]} \left\langle \mathcal{U}^{[s]} \left| S \left| \mathcal{U}^{[s]} \right. \right. \right\rangle \quad (51)$$

The dynamics in traditional quantum mechanics (4) transform a pure state into another pure state. To model the time evolution of a quantum system that converts a pure state into a mixed state, a common approach is to introduce additional terms into the Schrödinger equation, as exemplified by the GKSL (Gorini-Kossakowski-Sudarshan-Lindblad) equation. The issue with a general $S_{jk;j'k'}$ is that the dynamics associated with it transforms a pure state into a mixed one without introducing any additional terms in the dynamic equation. Even if the initial state $\mathcal{U}^{(0)}$ is taken as the ground state $\mathcal{U}^{[0]}$, it may still evolve into a mixed state under (46)-type dynamics. The single-Hamiltonian approach (48) does not have this issue, but it is too simplistic to accurately describe a real quantum channel.

The second option is to consider a non-linear equation for \mathcal{U} . Since the superposition of solutions no longer plays the same role as in traditional quantum mechanics, the dynamic equation is no longer required to be first-order. The simplistic form that correctly satisfies the dynamics for any stationary solution is

$$i\hbar \frac{\partial \mathcal{U}}{\partial t} = \langle \mathcal{U} | S | \mathcal{U} \rangle \mathcal{U} \quad (52)$$

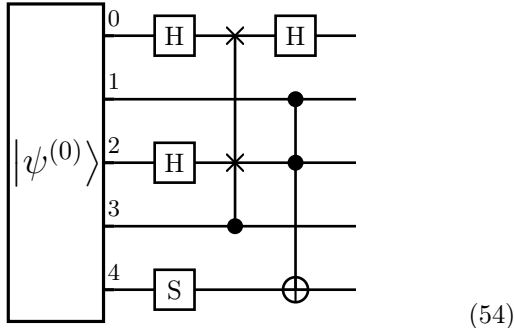
It has the solution that any unitary operator evolves as

$$\mathcal{U}^{(t)} = \exp\left[-i\frac{t}{\hbar}\mathcal{F}\right]\mathcal{U}^{(0)} \quad (53)$$

with only the common exponent determined by the channel fidelity $\mathcal{F} = \langle \mathcal{U} | S | \mathcal{U} \rangle$. This correctly describes the dynamics of any stationary solution (24), but for a general $\mathcal{U}^{(0)}$, it results in rather simplistic dynamics.

The two most promising candidates for the dynamic equations are (46) and (52). However, even without exact knowledge of the dynamic equation, we can proceed with constructing the computational model. In traditional quantum computation, researchers typically represent a quantum circuit as a sequence of unitary transformations

(4) rather than analyzing the corresponding dynamics (3) governed by a given Hamiltonian. For example, a simple quantum circuit transforming the initially prepared state $|\psi^{(0)}\rangle$ can take a form like this



Here, the $0 \dots 4$ “terminals” of $|\psi^{(0)}\rangle$ can take different forms. The most common approach is to consider them as qubits, with the state itself regarded as a direct (tensor) product of these qubits. In (54), the state is a product of $m = 5$ qubits. One can vectorize this state to convert a state of tensor product of m qubits to a vector of 2^m complex coefficients.³ Quantum computation is a unitary transformation of a prepared state $|\psi^{(0)}\rangle$ using a quantum circuit. A number of unitary transformations proceed from left to right, and the circuit is represented as a 1D plot of sequential unitary transformations. The combined unitary operator \mathcal{U} corresponding to the entire quantum circuit is related to the quantum system Hamiltonian as shown in (7). The difficulties lie in the creation of both the quantum system and the initial prepared state required to calculate the result of the unitary transformation. If, instead of general computation, we limit our goal to determining the Hamiltonian ground state, the problem becomes easier to approach. Techniques such as variational quantum algorithms[19] and adiabatic quantum computation[24, 25] can then be applied.

Since, in super quantum mechanics, the state is described not by a unit vector but by a unitary operator \mathcal{U} , consider the transformations that preserve the unitarity of \mathcal{U} (partial unitarity if $D < n$). The transformation of a unitary operator \mathcal{U} that preserves the constraints (17) is

$$\tilde{\mathcal{U}} = \mathcal{U}\mathcal{U}\mathcal{V}^\dagger \quad (55)$$

where \mathcal{U} is an arbitrary unitary operator of dimension $D \times D$, and \mathcal{V} is an arbitrary unitary operator of dimension $n \times n$. It is actually a transformation similar to (35) that we considered above in the canonical form study. However, it is no longer an identity for \mathcal{F} since there is no corresponding transformation of S to compensate for the transformation of \mathcal{U} .

If the constraint (17) is not satisfied for the original state \mathcal{U} , then the Gram matrix is not a unit matrix, and it is straightforward to write a transformation that preserves the Gram matrix (16). However, for the time evolution of the system state $\mathcal{U}^{(t)}$, we will consider only states that satisfy the unitarity constraints (17). Thus, only transformations of the form (55) should be allowed.

The transformation (55) indicates that any possible time evolution of \mathcal{U}_{jk} can involve *two* distinct types of unitary transformations: U (left) and V (right).

$$\mathcal{U}^{(t)} = U^{(t)} \dots U^{(1)} \mathcal{U}^{(0)} V^{(1)\dagger} \dots V^{(t)\dagger} \quad (56)$$

In contrast, traditional quantum mechanics describes time evolution using a single unitary operator U

$$\psi^{(t)} = U^{(t)} \dots U^{(1)} \psi^{(0)} \quad (57)$$

where $U^{(t)}$ describes the evolution of the quantum system with Hamiltonian H between $t - \tau$ and t , and is obtained from (3).

The transformation that preserves unitarity is given by (56), but it is difficult to explicitly express the operators U and V from a general tensor $S_{jk;j'k'}$. However, if we consider a simplified form of $S_{jk;j'k'}$, which we shall refer to as the two-Hamiltonian approximation,

$$S_{jk;j'k'} \approx \lambda_{jj'} \delta_{kk'} + \delta_{jj'} \nu_{kk'} \quad (58)$$

then the stationary equation becomes

$$S\mathcal{U} = \lambda\mathcal{U} + \mathcal{U}\nu \quad (59)$$

where both λ and ν are Hermitian matrices. If the system dynamics is described by Eq. (46), then a time-dependent solution in the two-Hamiltonian approximation is

$$\mathcal{U}^{(t)} = \exp\left[-i\frac{t}{\hbar}\lambda\right] \mathcal{U}^{(0)} \exp\left[-i\frac{t}{\hbar}\nu\right] \quad (60)$$

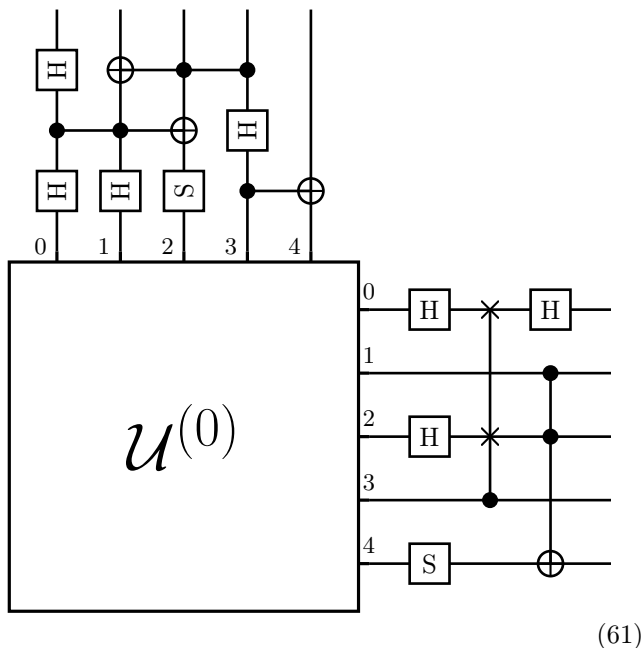
It generates both the “left” U and “right” V operators in (56), similar to the transformation in (57) with unitary evolution operator from Eq. (3).

The problem, however, lies in the source of the Lagrange multipliers ν . The conditions (17) and (18) are identical for $D = n$, and in this case, the second set of constraints must be obtained from somewhere else. This approximation also results in a highly degenerate $S_{jk;j'k'}$. The maximal fidelity, $\mathcal{F} = \text{Tr}\lambda + \text{Tr}\nu$, applies to an arbitrary unitary operator.

However, similarly to the circuit (54) for the wavefunction $|\psi^{(0)}\rangle$ transformation, one can write a circuit for the unitary operator $\mathcal{U}^{(0)}$ transformation. This new circuit now involves time along both the horizontal and vertical axes. The horizontally directed gates define a sequence of unitary gates $U^{(l)}$, while the vertically directed gates define a sequence of unitary gates $V^{(l)}$. These $U^{(l)}$ and $V^{(l)}$ can be arbitrary unitary gates, as in (56), and are not necessarily in the simplistic form (60) of the two-Hamiltonian approximation. For a general 2D circuit, the

³ Note that in [12, 13], we represented $|\psi\rangle$ and \mathcal{U} in vectorized form to simplify the integration of our numerical algorithm with numerical libraries.

\mathcal{U} -terminals may also be understood as qubits, similar to those in (54) for the state $|\psi^{(0)}\rangle$.



Whereas a 1D circuit (54) converts a quantum state $|\psi^{(0)}\rangle$ into another quantum state $|\psi\rangle$, the 2D circuit (61) converts a quantum system $\mathcal{U}^{(0)}$ into another quantum system \mathcal{U} . This raises a question about the selection of the initial quantum system $\mathcal{U}^{(0)}$. In regular quantum computations, the known low-entropy initial state $|\psi^{(0)}\rangle$ is often considered the system's ground state, typically prepared using a cooling technique such as natural or laser cooling. Similarly, in super quantum computations, the "ground state" $\mathcal{U}^{[0]}$ can be used as the initial state $\mathcal{U}^{(0)}$. The result of the 2D computation is a new quantum system \mathcal{U} , and the outcome of the computation is obtained by performing a measurement on the operator \mathcal{U} . Note that the post-measurement destruction rules for wavefunctions and quantum systems likely differ, as the measurement of a quantum state and the identification of a quantum system are two fundamentally different problems.

However, while the unitary operator corresponding to the 1D circuit (54) directly defines a quantum system with the Hamiltonian (7) (which provides the dynamics required for the calculations to be performed at a physical level), the 2D circuit (61), despite defining the combined left U and right V unitary operators, cannot be directly mapped to a super quantum system with some $S_{jk;j'k'}$ that would enable this type of computation at a physical level. This limitation primarily confines 2D circuits to the realm of computer modeling, where a variety of intriguing 2D algorithms can be developed. This is particularly notable when considering the more expressive result representation as a unitary operator, compared to unit vectors in regular quantum mechanics. The different measurement state destruction rules in this context also attract special interest.

For this reason, we believe that the first step in the

roadmap for super quantum computations would involve solving the stationary problem of maximizing the fidelity (8). In this context, we may hope to identify a physical process that, for a specially constructed $S_{jk;j'k'}$, could yield the $\lambda_{ij}^{[0]}, \mathcal{U}_{jk}^{[0]}$ pair in a single measurement act (thereby solving the quantum inverse problem at a physical level), as discussed in Section IV.

VI. CONCLUSION

In this work, we developed a Super Quantum Mechanics (SQM) framework that considers states in Hilbert space subject to multiple quadratic constraints. Traditional quantum mechanics corresponds to states on a unit sphere, which represents a single quadratic constraint imposed by the wavefunction's unit norm. A type of SQM considered in this paper involves the state being a unitary operator. The stationary problem in SQM then corresponds to a quantum inverse problem — identifying a quantum system given a sample (an information-complete[26] one) of observed states. This problem is equivalent to a new algebraic problem (23), for which an efficient computational algorithm was developed in our previous works [12, 13]; the numerical algorithm for obtaining multiple solutions to the algebraic problem requires further research, as discussed in Appendix A. In this work, the mathematical properties of the new algebraic problem have been studied, and important results such as the canonical form representation (40) and the eigenmatrix-dependent orthogonality conditions (25), have been obtained. The stationary problem has a clear physical meaning as a quantum inverse problem, which has numerous practical applications in machine learning and artificial intelligence[9, 10].

The non-stationary problem in SQM, in its simplest form, is a dynamical map that transforms one unitary operator into another. Since the unitary mapping corresponds to a quantum system with the Hamiltonian (7), the non-stationary problem can be interpreted as the evolution of the quantum system itself. This evolution differs from that caused by the explicit time dependence of the Hamiltonian, $H(t)$. We proposed two equations, (46) and (52), as potential dynamic equations in SQM. While the exact form of the dynamic equation remains a subject of future research, the condition of unitarity preservation enables the construction of a super quantum computation framework. This framework consists of unitary transformations of the initial state $\mathcal{U}^{(0)}$ (61), which is typically taken as the ground state solution $\mathcal{U}^{[0]}$ of the SQM stationary problem. In contrast to regular 1D quantum computations (54), which transform the state $|\psi^{(0)}\rangle$, 2D super quantum computations (61) transform the quantum system itself, allowing for the development of a variety of intriguing 2D algorithms. Although no known physical process currently describes such dynamics, this approach naturally bridges direct and inverse quantum mechanics problems. Beyond computer modeling, the developed theory could be directly applied if or when a physical process capable

TABLE I.

	Quantum Mechanics	Super Quantum Mechanics (SQM)
The state is described by	Vector ψ_j	Unitary operator \mathcal{U}_{jk}
Constraints on state	$1 = \sum_j \psi_j ^2$	$\delta_{ij} = \sum_k \mathcal{U}_{ik} \mathcal{U}_{jk}^*$
The system is defined by	Hamiltonian H_{ij} , Hermitian matrix.	Hermitian tensor $S_{jk; j'k'} = S_{j'k'; jk}^*$
Stationary states	Eigenproblem $H\psi = \lambda\psi$, where eigenvalue-scalar λ is energy level.	Algebraic problem $S\mathcal{U} = \lambda\mathcal{U}$, where eigenmatrix λ_{ij} is a Hermitian matrix, fidelity $\mathcal{F} = \text{Tr}\lambda$.
Dynamic equation	$i\hbar \frac{\partial \psi}{\partial t} = H\psi$	$i\hbar \frac{\partial \mathcal{U}}{\partial t} = S\mathcal{U}$ or $i\hbar \frac{\partial \mathcal{U}}{\partial t} = \langle \mathcal{U} S \mathcal{U} \rangle \mathcal{U}$, subject to future research.
Possible time-evolution	$\psi^{(t)} = U^{(t)} \dots U^{(1)} \psi^{(0)}$, Eq. (54)	$\mathcal{U}^{(t)} = U^{(t)} \dots U^{(1)} \mathcal{U}^{(0)} V^{(1)\dagger} \dots V^{(t)\dagger}$, Eq. (61)
Pure and mixed states	Vector $ \psi\rangle$ and density matrix ρ .	Unitary operator \mathcal{U} and mixed unitary channel Υ , Eq. (50).
Time evolution of stationary solutions superposition $a \psi^{[0]}\rangle + b \psi^{[1]}\rangle$.	$a \exp[-i \frac{t}{\hbar} \lambda^{[0]}] \psi^{[0]}\rangle + b \exp[-i \frac{t}{\hbar} \lambda^{[1]}] \psi^{[1]}\rangle$, where $\lambda^{[0,1]}$ are scalars.	A linear superposition of eigenstates $\mathcal{U}^{[s]}$ may not describe a physically meaningful state.
Where arises	Physical processes in the universe.	Inverse quantum problem, machine learning, computer modelling, physical processes?
A single measurement act in a physical process.	A scalar equal to an eigenvalue of R , with an expected value $R_{ex} = \langle \psi R \psi \rangle$, where R is a known Hermitian matrix. The wavefunction $ \psi\rangle$ collapses to an eigenstate of R after the measurement act.	The fundamental question is whether a physical process exists that is capable of solving an inverse quantum problem in a single measurement act, analogous to wavefunction measurement in traditional quantum mechanics. The post-measurement state collapse rules for a quantum channel \mathcal{U} are an open question.

of solving an inverse quantum problem in a single measurement act (analogous to wavefunction measurement in traditional quantum mechanics) is discovered in the future. The comparison of traditional quantum mechanics and Super Quantum Mechanics is presented in Table I.

ACKNOWLEDGMENTS

This research was supported by Autretech Group, a resident company of the Skolkovo Technopark. We thank our colleagues from the Autretech R&D department who provided insight and expertise that greatly assisted the research. Our grateful thanks are also extended to Mr. Gennady Belov for his methodological support in doing the data analysis.

In this work, we present an analytical study of a new form of quantum mechanics, an approach that has arisen from the numerical study of quantum inverse problems. Iya Pavlovna Ipatova, the first scientific advisor of A.M., O.P., and V.M., always emphasized the synergy of both analytical and numerical approaches. For many years, she worked at the **Ioffe Institute** and taught physics (together

with V.D. and V.I.) at **St.Petersburg Polytechnic University**. The authors recognize her ideological contribution to this work. This work is dedicated to her memory.

Appendix A: Constructing a Hierarchy of Stationary Solutions

In a regular eigenproblem,

$$|H|\psi^{[s]}\rangle = \lambda^{[s]} |\psi^{[s]}\rangle \quad (\text{A1})$$

the eigenvectors can be obtained by solving a hierarchy of optimization problems subject to the constraints (A3).

$$\lambda^{[s]} = \frac{\langle \phi | H | \phi \rangle}{\langle \phi | \phi \rangle} \xrightarrow{\phi} \max \quad (\text{A2})$$

$$0 = \langle \phi | \phi^{[s']}\rangle \quad s' < s \quad (\text{A3})$$

The construction of a hierarchy of solutions for the algebraic problem (23) is more difficult. There is no issue for the ground state solution $\mathcal{U}^{[0]}$, as this corresponds to the optimization problem (8) without the condition of a

previous state solution, these are referred to as external constraints in [13]. Whereas in the eigenproblem the hierarchy constraints (A3) are the same for both $\langle \phi | \phi^{[s']} \rangle$ and $\langle \phi | H | \phi^{[s']} \rangle$, in the algebraic problem (23) the corresponding linear constraints differ. A few examples of the constraints that can be used to construct the solution hierarchy.

$$0 = \langle \mathcal{U}^{[s']} | \lambda^{[s']} | \mathcal{U} \rangle \quad (\text{A4})$$

$$0 = \langle \mathcal{U}^{[s']} | \mathcal{U} \rangle \quad (\text{A5})$$

$$0 = \langle \mathcal{U}^{[s']} | S | \mathcal{U} \rangle \quad (\text{A6})$$

The solutions created with (A4), (A5), or (A6) are all different because λ is now a Hermitian matrix. As discussed in [13], the approach (A6), which corresponds to states orthogonality condition (28), allows for the separation of contributions to fidelity (32). However, the difficulty arises from the fact that, for $s > 0$, Eq. (24) is not satisfied exactly. Instead, it only implies that the projections onto the \mathcal{U} -space, which satisfies the external constraints, must match. For example, even if we impose the constraint $0 = \langle \mathcal{U}^{[0]} | S | \mathcal{U}^{[1]} \rangle$ (A6), this does not necessarily lead to $0 = \langle \mathcal{U}^{[0]} | \lambda^{[1]} | \mathcal{U}^{[1]} \rangle$ because $S\mathcal{U}^{[0]} = \lambda^{[0]}\mathcal{U}^{[0]}$.

This creates a difficulty in studying dynamics, where it is convenient for Eq. (24) to hold exactly for all s . As shown above, to satisfy Eq. (24) exactly, the linear constraint must take the form (25). Explicitly, in matrix notation, this is

$$\sum_{j,j'=0}^{D-1} \sum_{k=0}^{n-1} \left(\lambda_{jj'}^{[s']} \mathcal{U}_{j'k}^{[s']} \right)^* \mathcal{U}_{jk} = \sum_{j,j'=0}^{D-1} \sum_{k=0}^{n-1} \mathcal{U}_{jk}^{[s']*} \lambda_{jj'}^{[s]} \mathcal{U}_{j'k} \quad (\text{A7})$$

for $s' < s$, where we seek the s -th solution. The difficulty with Eq. (A7) is that the value of $\lambda^{[s]}$, which is required for the constraint, is not yet known. While the constraint (A6) considered in [13] is a linear function of \mathcal{U}_{jk} with precisely known coefficients, the constraint (A7) has coefficients by \mathcal{U}_{jk} that depend on the yet unknown $\lambda^{[s]}$, which itself is calculated from \mathcal{U}_{jk} . A trivial solution is to use the current iteration λ as $\lambda^{[s]}$ in the constraints, but this method does not always converge. The major issue with it is that, assuming $\lambda^{[s]} = \lambda$, the already obtained solutions $s' = 0 \dots s-1$ may again contribute to the sought solution s . This creates an issue in numerical implementation. However, to demonstrate the concept, the code from [13] was modified to support the external constraints (A7), along with other types; see the class `com/polytechnik/kg/PreviousSolutionOrthogonalityConditions.java`. The demo usage example, `com/polytechnik/algorithms/DemoDMGeneralMappingTest.java`, now runs with all possible types of constraints implemented. All self-tests are disabled when the constraints (A7) are used, as convergence may be poor. The current implementation for (A7) does not converge for all $S_{jk;j'k'}$, but it demonstrates

the correctness of the approach utilizing the λ -dependent orthogonality condition (25) to construct a hierarchy of solutions. For example, see a test run: `java com/polytechnik/algorithms/DemoDMGeneralMappingTest 2>& 1 | grep fdiffSK`, where a hierarchy of three solutions is constructed. For orthogonality (A7), which is denoted as `orthogonalityType=L1U1U0mU1LOU0`, the hierarchies of three solutions for the four different $S_{jk;j'k'}$ are:

```
orthogonalityType=L1U1U0mU1LOU0 solution#=0
fdiffSK=3.766333749746028E-24
Tr lambda0=410.59157706919996 flagOK=true
orthogonalityType=L1U1U0mU1LOU0 solution#=1
fdiffSK=1.9896185359584374E-9
Tr lambda1=317.3980075465856 flagOK=true
orthogonalityType=L1U1U0mU1LOU0 solution#=2
fdiffSK=2.1065565301784156E-8
Tr lambda2=252.44684491981542 flagOK=true

orthogonalityType=L1U1U0mU1LOU0 solution#=0
fdiffSK=7.65025644955303E-25
Tr lambda0=652.4722048564872 flagOK=true
orthogonalityType=L1U1U0mU1LOU0 solution#=1
fdiffSK=6.325612650989948E-7
Tr lambda1=506.8243802433262 flagOK=true
orthogonalityType=L1U1U0mU1LOU0 solution#=2
fdiffSK=7.907952725589345E-7
Tr lambda2=403.8568961643975 flagOK=true

orthogonalityType=L1U1U0mU1LOU0 solution#=0
fdiffSK=3.798582634500135E-25
Tr lambda0=1039.4442877993176 flagOK=true
orthogonalityType=L1U1U0mU1LOU0 solution#=1
fdiffSK=71.88802400224358
Tr lambda1=811.5827439382526 flagOK=false
orthogonalityType=L1U1U0mU1LOU0 solution#=2
fdiffSK=172.53103944532708
Tr lambda2=656.7028629629301 flagOK=false

orthogonalityType=L1U1U0mU1LOU0 solution#=0
fdiffSK=2.510130039767752E-25
Tr lambda0=627.044255728697 flagOK=true
orthogonalityType=L1U1U0mU1LOU0 solution#=1
fdiffSK=236.92078517799965
Tr lambda1=503.1963951381101 flagOK=false
orthogonalityType=L1U1U0mU1LOU0 solution#=2
fdiffSK=212.59370321253004
Tr lambda2=500.557762368503 flagOK=false
```

Here, `fdiffSK` represents the L^2 norm of the vector $S\mathcal{U} - \lambda\mathcal{U}$. For the first two $S_{jk;j'k'}$ the algorithm converges and provides good accuracy, but it fails to converge for the last two. This issue arises from the more complex form of the constraint in Eq. (A7) and requires further work on the numerical implementation. Nonetheless, test runs clearly demonstrate the correctness of the orthogonality of solutions in the form of Eq. (25) and the ability to construct a hierarchy of solutions for the problem in Eq. (23) with the constraints (A7).

When it is acceptable for a solution $\mathcal{U}_{jk}^{[s]}$ to have Eq. (24) that does not satisfy some projections, the hierarchy (A6), corresponding to the orthogonality condition (28), is much preferred for reasons of numerical implementation and the possibility of expansion in (29). A similar run for orthogonality (A6), which is denoted as `orthogonalityType=USU`, successfully finds the hierarchies of three solutions for the four different $S_{jk;j'k'}$. For $D = n = 10$, no problems with numerical stability arise when increasing the number of solutions in the hierarchy up to seven. For further increases in N_s , the problem of resolving conflicts between the external constraints (A6) and the adjustment of $\mathcal{U}_{jk}^{[s]}$ iteration to unitarity requires additional attention in the numerical implementation [13].

There is another way to create multiple solutions without using explicit orthogonality conditions. In our numerical algorithm [12], in the eigenstate selection step, selecting the largest $\mu^{[s]}$, second largest $\mu^{[s]}$, third largest $\mu^{[s]}$, etc., converges to a different solution of the original problem. This way, we managed to obtain up to a dozen different solutions. Starting with about the fifth largest eigenvalue, convergence may not always be observed. This is an alternative method to obtain several solutions of (23).

To study various aspects of quantum channel dynamics, we require multiple solutions of Eq. (23) that resemble the stationary solutions of the Schrödinger equation. Currently, we have two distinct methods outlined above for obtaining these stationary solutions.

-
- [1] E. Schrödinger, Quantisierung als eigenwertproblem, *Annalen der physik* **385**, 437 (1926).
- [2] M. Born, W. Heisenberg, and P. Jordan, Zur quantenmechanik. II., *Zeitschrift für Physik* **35**, 557 (1926).
- [3] M. A. Nielsen and I. L. Chuang, *Quantum computation and quantum information* (Cambridge university press, 2010).
- [4] M. M. Wilde, From classical to quantum Shannon theory, arXiv preprint arXiv:1106.1445 [10.48550/arXiv.1106.1445](https://arxiv.org/abs/10.48550/arXiv.1106.1445) (2011).
- [5] A. Jamiolkowski, Linear transformations which preserve trace and positive semidefiniteness of operators, *Reports on mathematical physics* **3**, 275 (1972).
- [6] M.-D. Choi, Completely positive linear maps on complex matrices, *Linear algebra and its applications* **10**, 285 (1975).
- [7] K. Kraus, *States, Effects, and Operations: Fundamental Notions of Quantum Theory*, Lecture Notes in Physics, Vol. 190 (Springer-Verlag, 1983) Lectures in Mathematical Physics at the University of Texas at Austin.
- [8] V. P. Belavkin and P. Staszewski, A Radon-Nikodym theorem for completely positive maps, *Reports on mathematical physics* **24**, 49 (1986).
- [9] A. Bisio, G. Chiribella, G. M. D'Ariano, S. Facchini, and P. Perinotti, Optimal quantum learning of a unitary transformation, *Physical Review A* **81**, 032324 (2010).
- [10] M. Arjovsky, A. Shah, and Y. Bengio, Unitary evolution recurrent neural networks, in *International conference on machine learning, NY, USA, 2016* (Proceedings of Machine Learning Research (proceedings.mlr.press), 2016) pp. 1120–1128.
- [11] V. G. Malyskhin, On The Radon-Nikodym Spectral Approach With Optimal Clustering, arXiv preprint arXiv:1906.00460 [10.48550/arXiv.1906.00460](https://arxiv.org/abs/10.48550/arXiv.1906.00460) (2019).
- [12] M. G. Belov and V. G. Malyskhin, Partially unitary learning, *Phys. Rev. E* **110**, 055306 (2024).
- [13] M. G. Belov, V. V. Dubov, A. V. Filimonov, and V. G. Malyskhin, Quantum channel learning, *Phys. Rev. E* **111**, 015302 (2025).
- [14] T. A. Loring, Computing a logarithm of a unitary matrix with general spectrum, *Numerical Linear Algebra with Applications* **21**, 744 (2014).
- [15] D. P. DiVincenzo, Quantum gates and circuits, *Proceedings of the Royal Society of London. Series A: Mathematical, Physical and Engineering Sciences* **454**, 261 (1998).
- [16] P. Wang, H. Kwon, C.-Y. Luan, W. Chen, M. Qiao, Z. Zhou, K. Wang, M. Kim, and K. Kim, Snapshotting quantum dynamics at multiple time points, *Nature Communications* **15**, 8900 (2024).
- [17] V. G. Malyskhin, *The code for polynomials calculation* (2014), <http://www.ioffe.ru/LNEPS/malyskhin/code.html> and an alternative location.
- [18] Z. Wen and W. Yin, A feasible method for optimization with orthogonality constraints, *Mathematical Programming* **142**, 397 (2013).
- [19] M. Cerezo, A. Arrasmith, R. Babbush, S. C. Benjamin, S. Endo, K. Fujii, J. R. McClean, K. Mitarai, X. Yuan, L. Cincio, *et al.*, Variational quantum algorithms, *Nature Reviews Physics* **3**, 625 (2021).
- [20] C.-Y. Park and N. Killoran, Hamiltonian variational ansatz without barren plateaus, *Quantum* **8**, 1239 (2024).
- [21] D. J. Griffiths and D. F. Schroeter, *Introduction to quantum mechanics* (Cambridge university press, 2019).
- [22] D. C. Marinescu, *Classical and quantum information* (Academic Press, 2011).
- [23] M. Girard, D. Leung, J. Levick, C.-K. Li, V. Paulsen, Y. T. Poon, and J. Watrous, On the mixed-unitary rank of quantum channels, *Communications in Mathematical Physics* **394**, 919 (2022).
- [24] T. Albash and D. A. Lidar, Adiabatic quantum computation, *Reviews of Modern Physics* **90**, 015002 (2018).
- [25] D. Aharonov, W. Van Dam, J. Kempe, Z. Landau, S. Lloyd, and O. Regev, Adiabatic quantum computation is equivalent to standard quantum computation, *SIAM review* **50**, 755 (2008).
- [26] G. Torlai, C. J. Wood, A. Acharya, G. Carleo, J. Carrasquilla, and L. Aolita, Quantum process tomography with unsupervised learning and tensor networks, *Nature Communications* **14**, 2858 (2023).