

# SALSA: a new versatile readout chip for MPGD detectors

---

**D. Neyret,<sup>a,1</sup> P. Baron,<sup>a</sup> F. Bouyjou,<sup>a</sup> M. Bregant,<sup>b</sup> S. Chevobbe,<sup>a</sup> Y. Dargerli,<sup>a</sup> C. Flouzat,<sup>a</sup> O. Gevin,<sup>a</sup> F. Guilloux,<sup>a</sup> H. Hernandez,<sup>f</sup> I. Mandjavidze,<sup>a</sup> M. Munhoz,<sup>b</sup> B. Sanches,<sup>c</sup> L. Severo,<sup>e</sup> J.N. Soares,<sup>d</sup> W. Van Noije,<sup>c</sup> and F. William da Costa<sup>c</sup>**

<sup>a</sup> CEA IRFU, Université Paris-Saclay,  
route de Saclay, 91191 Gif sur Yvette Cedex, France  
E-mail: [damien.neyret@cea.fr](mailto:damien.neyret@cea.fr)

<sup>b</sup> Instituto de Física da Universidade de São Paulo  
Rua do matão, 1371, 05508-090 São Paulo, Brazil

<sup>c</sup> Escola Politécnica da Universidade de São Paulo  
Avenida Prof. Luciano Gualberto, Travessa do Politécnico, 380, 05508-010 São Paulo, Brazil

<sup>d</sup> Escola de Engenharia de São Carlos, Universidade de São Paulo  
Avenida Trabalhador são-carlense, 400, 13566-590, São Carlos, Brazil

<sup>e</sup> Divisão Engenharia Eletrônica, Instituto Tecnológico de Aeronáutica,  
Praça Marechal Eduardo Gomes, 50 Vila das Acácias, 12228-900 São José dos Campos, Brazil

<sup>f</sup> TID Instrumentation Division, Integrated Circuits Department, SLAC  
2575 Sand Hill Road, Menlo Park, CA 94025 Stanford University, CA, USA.

**ABSTRACT:** The SALSA chip is a future readout ASIC foreseen for the MPGD detectors, developed in the framework of the EIC collider project, to equip the MPGD trackers of the EPIC experiment. It is designed to be versatile, in order to be adapted to other usages of the MPGD detectors, like TPC, or photon detectors. It integrates a frontend block and an ADC for each of the 64 channels, associated to a configurable digital DSP processor meant to correct data and reduce the raw data flux, in order to limit the output bandwidth. It will be compatible with the continuous readout foreseen for the EPIC DAQ, but will be also able to work in a triggered environment. Several prototypes are already produced in order to qualify the different blocks of the chip, in particular the frontend, the ADC and the clock generation. The next 32-channels prototype is currently under development and will be produced in 2025. The final prototype will be produced and tested in 2026 onwards for a production of the SALSA chip at the horizon of 2027.

**KEYWORDS:** Micro-patterned Gaseous Detectors (MPGD), Readout electronics, Readout ASIC, Data processing, EIC project

---

<sup>1</sup> Corresponding author.

## 1. Introduction and context

The Electron-Ion Collider (EIC) [1] will be installed at the Brookhaven National Laboratory (BNL) in USA in early 2030s, with a 5-18 GeV electron beam colliding to a 40-275 GeV proton or ion beam. The EIC EPIC experiment [2] consists of a 2 Tesla solenoid equipped with several layers of trackers and calorimeters to reconstruct the scattering angles and the momentum of particles, and RICH and time-of-flight detectors for particle identification. The central tracker [3] is based on several layers of MAPS silicon detectors surrounded by Micro-Pattern Gaseous Detectors (MPGD) (Figure 1). 2-D curved Micromegas detectors [4] form the external layer of the barrel while flat wheels of Micro-RWell planes cover both endcaps. MicroRWell planes are placed outside of the AC-LGAD time-of-flight detectors surrounding the barrel. All these MPGD detectors will be read by a new readout ASICs, the SALSAs chips.

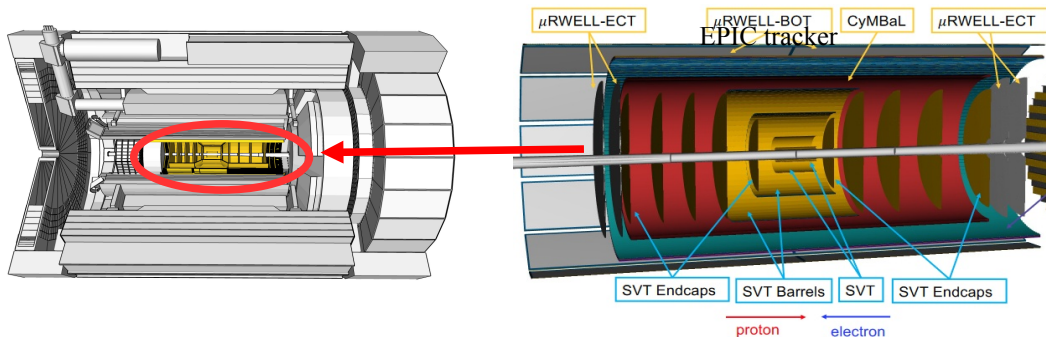


Figure 1: View of the central part of the EPIC experiment with the central tracker highlighted (left). Detail of the tracker, with the cylindrical Micromegas (CymBaL) in red and the  $\mu$ RWell in grey (right).

The SALSAs readout electronics is designed to detect MPGD detector [5] signals, which are quite short, 50-100 ns long, with an amplitude from a few 10 fC up to  $\sim 250$  fC. The setup will be exposed to a mild radiation environment, with doses in the order of 10 krad and  $10^{11}$  n/cm<sup>2</sup>, and with a magnetic field of 2 T. The expected signal rate will be in the order of 10 kHz, with a time resolution in the order of 10 ns.

## 2. SALSAs specifications and architecture

### 2.1 Specifications

The SALSAs ASIC is designed to convert, amplify and shape analog MPGD signals from 64 channels; to digitize these signals with Analog to Digital Converters (ADC) with sampling rates between 5 and 50 Msample/s at least; and to process samples with an integrated digital signal processor (DSP). It will be a versatile ASIC for a wide field of MPGD applications (trackers, TPC, photon detectors, etc...) and possibly other kinds of detectors. The peaking time, the gain, and the size of the charge preamplifier can be configured to the particular detector type. The fall time of the preamplifier can be adjusted to very large counting rates. An anti-saturation systems is preventing long dead times and saturation-induced cross-talk. The ADC sampling rate can be adapted to the width of the shaped analog signal. The TSMC 65 nm technology is chosen for its improved performances and sustainability compared to older 130 nm technologies.

The project is a common initiative of the University of Sao Paulo (USP, Brazil) and the CEA Saclay IRFU (France), which developed several readout ASICs for MPGD and other detectors, namely the SAMPAs chip for ALICE TPC [6] at USP, and the AFTER[7], AGET [8]

and DREAM [9] MPGD frontend chips at IRFU. These institutes have complementary competences, on low-noise generic frontends at IRFU, and on on-chip ADC and digital processing at USP.

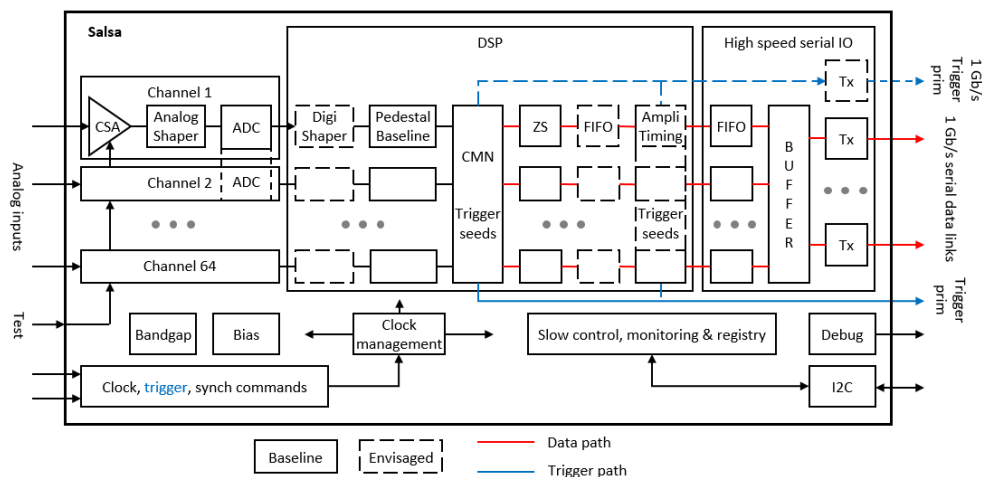
The specifications of the SALSA ASIC are listed in the Table 1. They are voluntarily extended compared to the requirements for the EPIC MPGD detector electronics. The ASIC is compatible with the continuous readout DAQ architecture foreseen for EPIC, as well as a triggered acquisition environment.

Characteristics	Value	Comments
Number of channels	64	
Input capacitance	50-200 pF	Reasonable gain up to 1 nF
Gain ranges	0-50 fC to 0-5 pC	4 gain ranges
Peaking times	8 values between 50 and 500 ns	
Input rates	Up to 100 kHz/ch	Fast CSA reset
ADC dynamics	12 bits	> 10 effective bits
Sampling rate	programmable in range 5-50 MS/s	
Reference clock	40-100 MHz	
Data output	4 x 1 Gb/s links	1 to 4 can be used in parallel
Die size	~ 1 cm <sup>2</sup>	TSMC 65 nm technology
Power consumption	~ 15 mW/channel	1.2 V power

**Table 1.** Specifications of the SALSA ASIC

## 2.2 Architecture

The SALSA architecture (Figure 2) combines channel frontend and ADC, and a DSP to process the ADC samples. The frontend is based on a charge sensitive amplifier (CSA), a pole-zero cancellation circuit (PZC) and a shaper. Four gains are implemented: 0-50 fC, 0-250 fC, 0-500 fC or 0-5 pC. The shaping can be done with eight different peaking times from 50 to 500 ns. An anti-saturation circuit is integrated to recover frontend from large amplitudes in specific cases, like a spark occurring in the gaseous detector. The ADC is based on a successive approximation register (SAR ADC) on 12 bits at a maximum sampling rate of 50 MS/s.



**Figure 2:** Architecture of the SALSA ASIC

The DSP processes data to correct the signal baseline and suppress the empty samples: pedestal equalization, common mode noise correction, baseline following correction, infinite

impulse filtering, low-amplitude sample suppression. A feature extraction module is foreseen to identify in the sample stream the peaks corresponding to effective hits in the detector channels, and extract their amplitude, time of arrival and signal width. External triggers are managed by the DSP to select specifically samples present in the trigger time window, and trigger primitives will be generated when samples above threshold will be observed, with conditions on channel multiplicities. A phased-lock loop (PLL) circuit generates internal clocks needed for the different functions of the chip, keeping them synchronized with the reference clock.

### 3. Timeline and recent results

#### 3.1 Timeline of the project

First SALSA0 prototypes were built beginning of 2023 (Figure 3 left). These small TSMC 65nm Mini@sic prototypes were produced to test first versions of the frontend block and the ADC. The PRISME prototype (Figure 3 center) was produced in 2023 in order to test specifically the new PLL block. The SALSA1 prototypes (Figure 3 right) were produced in 2024 to test improved frontend and ADC designs connected together. Several service blocks are also tested in the PRISME and SALSA1 chips. A 32-channels SALSA2 prototype will be submitted in 2025, with most of the DSP functionalities and high speed serial links in place. At last a final SALSA3 prototype is foreseen in 2026 with the nominal number of channels and a fully featured DSP. It will be a pre-series version of the ASIC before the final production.

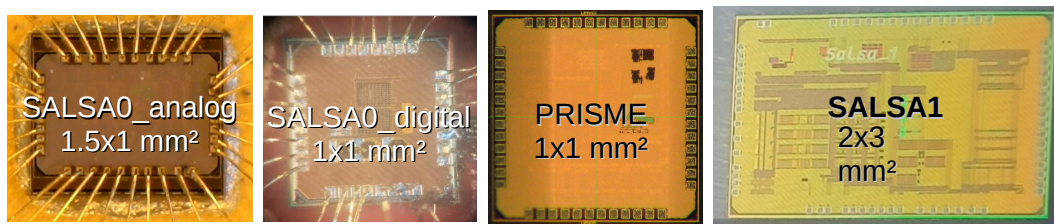


Figure 3: Pictures of the existing SALSA prototypes

#### 3.2 Recent results

Different configurations were tested with the SALSA0 prototypes (Figure 4 left) to measure their performance and compare them with simulations. Equivalent noise charge dependency on input capacitance was very good, showing only  $1200 e^-$  for typical MPGD application (Figure 4 right). Fast recovery tests with anti-saturation circuit also showed that  $50 pC$  input charge was evacuated in around  $50 \mu s$ . Tests with PRISME showed that the nominal  $3.2 GHz$  PLL frequency was reached with a wide input frequency range, and clock signals were generated with a very low random jitter of  $2.5 ps$  RMS. An updated prototype design PRISMEv1 correcting some unexpected deterministic jitter was submitted in December 2024.

### 4. Conclusions and prospects

The SALSA ASIC is a versatile readout chip currently under development for MPGD detectors, offering large ranges of gain, peaking times, input capacitance and sampling rates, able to work with the triggerless readout DAQ foreseen at EPIC. The ASIC will group a frontend and an ADC block for each of the 64 channels, and a DSP to process and reduce these data. The SALSA2 prototype development is presently ongoing, with an important work in progress on

the design of the DSP, with specifications mostly finalized. Tests on SALSA1 prototype are just starting. The timeline of the project is compatible with the schedule of the EPIC experiment, with a production of the readout ASICs at the horizon of 2027. Some other projects also expressed interest in this chip, thanks to its versatility aspects.

## Acknowledgments

This work is supported by the Generic EIC-Related Detector R&D Program, and by the eRD109 EIC Project R&D Program. The development of the 32-channels prototype and beyond is also supported by the Agence Nationale de la Recherche (ANR) and the Fundação de Amparo à Pesquisa do Estado de São Paulo (FAPESP) under the ANR-24-CE31-7003-01 project.

## References

- [1] R. Abdul Khalek et al., Science Requirements and Detector Concepts for the Electron-Ion Collider: EIC Yellow Report, BNL-220990-2021-FORE, JLAB-PHY-21-3198, LA-UR-21-20953, e-Print: 2103.05419 [physics.ins-det]
- [2] ePIC Wiki Page, [https://wiki.bnl.gov/EPIC/index.php?title=Main Page](https://wiki.bnl.gov/EPIC/index.php?title=Main_Page)
- [3] S. Kumar, Tracking performances of the ePIC detector at the Electron-Ion Collider, Nucl.Instrum.Meth.A 1069 (2024) 169922, 10.1016/j.nima.2024.169922
- [4] A. Acker, et al., The CLAS12 Micromegas Vertex Tracker, Nucl.Instrum.Meth.A 957 (2020) 163423, 10.1016/j.nima.2020.163423
- [5] Y. Giomataris et al., MICROMEAS: A High granularity position sensitive gaseous detector for high particle flux environments, Nucl.Instrum.Meth.A 376 (1996) 29-35
- [6] J. Adolfsson et al., SAMPA Chip: the New 32 Channels ASIC for the ALICE TPC and MCH Upgrades, JINST 12 (2017) 04, C04008, contribution to TWEPP16
- [7] P. Baron, et al., AFTER, an ASIC for the readout of the large T2K time projection chambers, IEEE Transactions on Nuclear Science 55.3 (2008): 1744-1752
- [8] S. Anvar, et al., AGET the GET front-end ASIC for the readout of the time projection chambers used in nuclear physic experiments, Proceedings of the IEEE Nuclear Science Symposium and Medical Imaging Conference (NSS/MIC), vol. 745, 2011
- [9] C. Flouzat, et al., Dream: a 64-channel front-end chip with analog trigger latency buffer for the micromegas tracker of the CLAS12 experiment, TWEPP 2014 Topical Workshop on Electronics for Particle Physics, Centre des Congrès - Aix en Provence, France (2014)

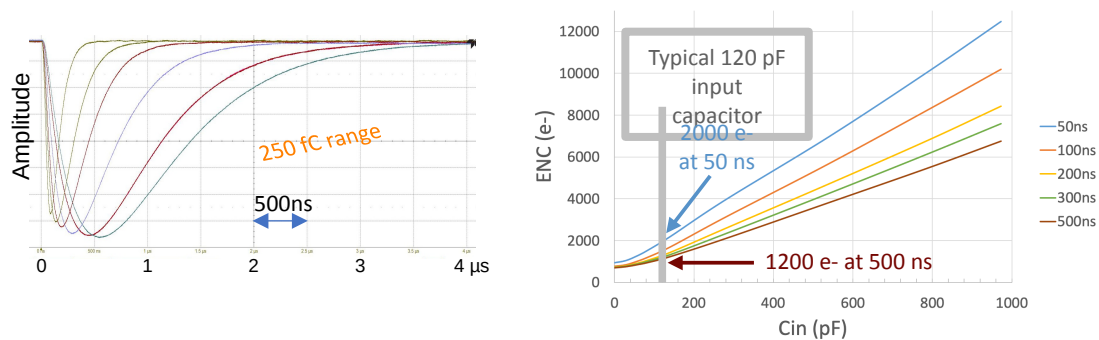


Figure 4: Response of the frontend for different peaking times from 50 to 500 ns with the 250 fC gain range (left). Equivalent noise charge at different peaking times (right).