

# SplatMAP: Online Dense Monocular SLAM with 3D Gaussian Splatting

YUE HU, Institute for Creative Technologies, University of Southern California, USA  
 RONG LIU, Institute for Creative Technologies, University of Southern California, USA  
 MEIDA CHEN, Institute for Creative Technologies, University of Southern California, USA  
 PETER BEEREL\*, University of Southern California, USA  
 ANDREW FENG\*, Institute for Creative Technologies, University of Southern California, USA

Achieving high-fidelity 3D reconstruction from monocular video remains challenging due to the inherent limitations of traditional methods like Structure-from-Motion (SfM) and monocular SLAM in accurately capturing scene details. While differentiable rendering techniques such as Neural Radiance Fields (NeRF) address some of these challenges, their high computational costs make them unsuitable for real-time applications. Additionally, existing 3D Gaussian Splatting (3DGS) methods often focus on photometric consistency, neglecting geometric accuracy and failing to exploit SLAM's dynamic depth and pose updates for scene refinement. We propose a framework integrating dense SLAM with 3DGS for real-time, high-fidelity dense reconstruction. Our approach introduces *SLAM-Informed Adaptive Densification*, which dynamically updates and densifies the Gaussian model by leveraging dense point clouds from SLAM. Additionally, we incorporate *Geometry-Guided Optimization*, which combines edge-aware geometric constraints and photometric consistency to jointly optimize appearance and geometry of the 3DGS scene representation, enabling detailed and accurate SLAM mapping reconstruction. Experiments on the Replica and TUM-RGBD datasets demonstrate the effectiveness of our approach, achieving state-of-the-art results among monocular systems. Specifically, our method achieves a PSNR of 36.864, SSIM of 0.985, and LPIPS of 0.040 on Replica, representing improvements of 10.7%, 6.4%, and 49.4%, respectively, over the previous SOTA. On TUM-RGBD, our method outperforms the closest baseline by 10.2%, 6.6%, and 34.7% in the same metrics. These results highlight the potential of our framework in bridging the gap between photometric and geometric dense 3D scene representations, paving the way for practical and efficient monocular dense reconstruction. A demonstration of the results can be found in the accompanying video: [https://youtu.be/Pr\\_kyWQQkGo](https://youtu.be/Pr_kyWQQkGo).

CCS Concepts: • **Computing methodologies** → **Reconstruction**.

Additional Key Words and Phrases: SLAM, Gaussian Splatting, Monocular Reconstruction, 3D Vision

## ACM Reference Format:

Yue Hu, Rong Liu, Meida Chen, Peter Beerel, and Andrew Feng. 2025. SplatMAP: Online Dense Monocular SLAM with 3D Gaussian Splatting . 1, 1 (January 2025), 17 pages. <https://doi.org/10.1145/nnnnnnnn.nnnnnnnn>

\*Co-advisor

---

Authors' Contact Information: Yue Hu, [yhu57782@usc.edu](mailto:yhu57782@usc.edu), Institute for Creative Technologies, University of Southern California, Los Angeles, California, USA; Rong Liu, [roliu@ict.usc.edu](mailto:roliu@ict.usc.edu), Institute for Creative Technologies, University of Southern California, Los Angeles, California, USA; Meida Chen, [mehen@ict.usc.edu](mailto:mehen@ict.usc.edu), Institute for Creative Technologies, University of Southern California, Los Angeles, California, USA; Peter Beerel, [pabeerel@usc.edu](mailto:pabeerel@usc.edu), University of Southern California, Los Angeles, California, USA; Andrew Feng, [feng@ict.usc.edu](mailto:feng@ict.usc.edu), Institute for Creative Technologies, University of Southern California, Los Angeles, California, USA.

---

Permission to make digital or hard copies of all or part of this work for personal or classroom use is granted without fee provided that copies are not made or distributed for profit or commercial advantage and that copies bear this notice and the full citation on the first page. Copyrights for components of this work owned by others than the author(s) must be honored. Abstracting with credit is permitted. To copy otherwise, or republish, to post on servers or to redistribute to lists, requires prior specific permission and/or a fee. Request permissions from [permissions@acm.org](mailto:permissions@acm.org).

© 2025 Copyright held by the owner/author(s). Publication rights licensed to ACM.

ACM XXXX-XXXX/2025/1-ART

<https://doi.org/10.1145/nnnnnnnn.nnnnnnnn>

## 1 Introduction



Fig. 1. Visual comparison of reconstructed scenes. Our method (SplatMap) achieves superior rendering fidelity and geometric accuracy, closely matching the ground truth, while outperforming GIORIE-SLAM [30] and Photo-SLAM [3] in fine structural details.

Reconstructing high-fidelity 3D environments from 2D image sequences has been a long-standing goal in computer vision, with applications spanning robotics, augmented reality, and autonomous navigation. Two foundational techniques, Structure-from-Motion (SfM) and Simultaneous Localization and Mapping (SLAM), have played pivotal roles in advancing this field. SfM algorithms, such as COLMAP [2] and GLOMAP [12], better at estimating camera parameters from uncalibrated image collections, although at the cost of computational efficiency. In contrast, SLAM systems like DROID-SLAM [19] and ORB-SLAM [10] provide real-time localization and mapping capabilities. Parallel to these developments, differentiable rendering techniques, particularly Neural Radiance Fields (NeRF) [9], have revolutionized 3D representation by enabling implicit modeling of appearance and geometry. However, the computational overhead associated with NeRF’s rendering processes limits its real-time applicability. Addressing this limitation, 3D Gaussian Splatting (3DGS) [6] has emerged as a compelling alternative, offering faster rendering and more scalable scene representation.

In order to achieve real-time 3D reconstruction with high-fidelity rendering, researchers have explored the potential of integrating SLAM with differentiable rendering [3–5, 8, 13, 26, 28, 30–32]. However, monocular SLAM systems, particularly during early mapping stages, are prone to producing inaccurate point clouds due to limited observations, shallow triangulation baselines, and weak pose constraints. These inaccuracies propagate into downstream mapping tasks, leading to artifacts such as “ghosting” on walls and furniture, especially when observed from untrained viewpoints. Traditional 3DGS densification pipelines typically rely on RGB losses to correct these errors, introducing additional computational overhead as they compensate for the initial inaccuracies.

To address these challenges, we propose SLAM-Informed Adaptive Densification (SIAD), a novel strategy that utilizes SLAM’s dynamic updates to refine point clouds in real time. By pruning

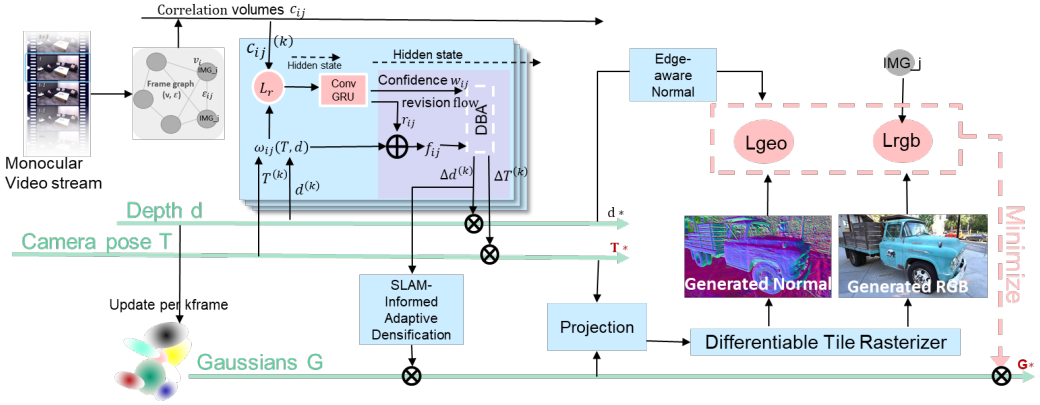


Fig. 2. Overview of our proposed system. The framework integrates SLAM-based pose estimation and depth refinement with Gaussian-based 3D scene representations. A convolutional GRU module iteratively refines depth  $d$  and pose  $T$  using confidence weights  $\omega_{ij}$  and revision flow  $r_{ij}$ . The refined depth and pose are projected to a Gaussian representation  $G$ , which is optimized to minimize geometric loss ( $L_{geo}$ ) and photometric loss ( $L_{rgb}$ ) through a differentiable tile rasterizer. This process generates accurate surface normals and high-quality RGB reconstructions, improving 3DGS SLAM representation fidelity.

erroneous points, incorporating new observations, and adapting Gaussian representations based on reliable masks, our method ensures accurate and efficient point cloud refinement without requiring costly post-hoc corrections. This approach bridges the gap between monocular dense SLAM and Gaussian-based scene representations, achieving a geometric level of detail and robustness that surpasses traditional pipelines.

In addition, we introduce Geometry-Guided Optimization, which incorporates edge-aware normal loss and photometric consistency loss to jointly optimize the appearance and geometry of the 3DGS representation. This framework enhances rendering fidelity while preserving fine structural details, particularly around object edges and sharp transitions. By integrating these improvements into a unified pipeline, our *SplatMap* framework delivers high-fidelity 3D reconstructions from monocular input, suitable for both real-time and high-quality applications.

The contributions of our *SplatMap* system are summarized as follows:

- **SLAM-Informed Adaptive Densification:** We upgrade traditional Gaussian splatting by leveraging dense SLAM outputs, enabling dynamic densification of point clouds for richer scene representation.
- **Geometry-Guided Optimization:** We introduce a novel loss function that integrates geometric and photometric constraints during mapping, improving both visual quality and structural accuracy.
- **Unified Pipeline for Dense Monocular Reconstruction:** By integrating dense monocular SLAM with 3D Gaussian Splatting, our framework achieves high-fidelity reconstruction from monocular input.

SplatMap achieves significant improvements over previous monocular SOTA methods, with up to 10.2% in PSNR, 6.6% in SSIM, and 34.7% in LPIPS on real world dataset, demonstrating its effectiveness in refining scene representations across diverse datasets. In Fig.1, we present a visual comparison between SplatMap and the SOTA rendered mapping results, while Fig.2 illustrates the detailed workflow of the system.

## 2 Related Work

In this section, we review prior works relevant to our framework, categorizing them into three major areas: SLAM (dense and sparse), Differentiable Rendering, and SLAM with Differentiable Rendering (RGB-D and monocular). These topics cover foundational techniques, recent advancements, and existing gaps that our proposed SplatMap framework addresses.

### 2.1 Simultaneous Localization and Mapping (SLAM)

SLAM is a fundamental technique for estimating camera poses and reconstructing 3D environments from image sequences. It can be broadly categorized into sparse SLAM and dense SLAM, depending on how the scene is represented.

**Sparse SLAM methods** focus on extracting and tracking sparse keypoints across frames, making them computationally efficient and robust for a wide range of scenarios. ORB-SLAM [10, 11, 20] has been a cornerstone in SLAM research due to its lightweight and efficient feature-based approach. By extracting and matching features across frames, it achieves robust pose estimation with relatively low computational overhead, making it particularly suitable for both indoor and outdoor environments. Its loop closure mechanisms further enhance long-term mapping consistency by reducing drift over extended trajectories. However, ORB-SLAM's reliance on well-textured scenes limits its effectiveness in scenarios with low texture or repetitive patterns, where feature matching becomes unreliable. As a result, its pose estimation accuracy often falls short in complex or visually ambiguous environments. LSD-SLAM [1] represents a significant alternative approach that directly optimizes pixel intensities instead of keypoints, enabling large-scale monocular SLAM. Later, BAD-SLAM [14] combined direct and bundle-adjusted techniques to enhance robustness in RGB-D scenarios. For large-scale 3D reconstruction, volumetric SLAM systems like [21] proposed octree-based representations that support both signed-distance and occupancy mapping, offering efficient and scalable solutions.

In contrast, **dense SLAM methods** aim to reconstruct detailed 3D representations of the environment, often leveraging depth maps or pixel-level photometric consistency for optimization. ElasticFusion [24] circumvented traditional pose graph optimization by directly refining dense RGB-D maps, offering an efficient solution for real-time dense SLAM. More recent works like NICE-SLAM [32] and NICER-SLAM [31] introduced neural implicit scene encoding to achieve scalable, memory-efficient dense reconstructions. Real-time large-scale dense RGB-D SLAM [24] further improved volumetric fusion, enabling robust reconstruction in complex and dynamic environments. ESLAM [4] leveraged photometric consistency for optimization, enhancing the accuracy of dense reconstructions. Recent innovations like Point-SLAM [13] have integrated real-time dense mapping for large-scale scenarios, while Co-SLAM [22] jointly optimizes coordinate and sparse parametric encodings to improve reconstruction fidelity. Vox-Fusion [28] has pushed the boundaries further by incorporating voxel-based feature maps, providing efficient and detailed scene representations. DROID-SLAM [19] stands out for its use of recurrent neural networks (RNNs) to achieve end-to-end optimization, which makes it particularly robust in estimating both camera pose and depth maps. Despite its advancements in camera tracking accuracy and its ability to provide relatively dense point clouds, DROID-SLAM still falls short in enhancing the visual fidelity of the reconstructed maps. Its mapping output often lacks the level of detail and consistency required for high-quality scene representation, leaving room for further improvement in dense 3D reconstruction.

### 2.2 Differentiable Rendering

Recent advances in representing 3D scenes via radiance fields, particularly with Neural Radiance Field (NeRF) [9], have enabled implicit modeling of appearance and geometry. Despite improvements



in optimization, NeRF methods still suffer from slow rendering due to the neural network querying and volume rendering processes.

Kerbl et al. addressed this by introducing a 3D scene representation using 3D Gaussians and a fast tile-based rasterizer, achieving real-time rendering with high visual quality (3DGS) [6]. Building on the efficiency of 3D Gaussian Splatting, DreamGaussian [17] applied it to generative 3D modeling with mesh extraction and texture refinement for text-to-3D tasks. Wu et al. further extended its use for dynamic scenes, combining 3D Gaussians with 4D neural voxels, enabling efficient feature encoding and Gaussian deformation prediction over time [25].

### 2.3 Differentiable Rendering SLAM

Since the emergence of NeRF, numerous methods have significantly advanced high-fidelity 3D reconstruction using NeRF-based representations. Pioneering works such as iMAP [16] and Nice-SLAM [32] introduced NeRF-based dense SLAM systems by fitting radiance fields with Multi-Layer Perceptrons (MLPs) and multi-scale feature grids, respectively. While these approaches enable impressive photorealistic scene reconstructions, they suffer from inherent limitations of NeRF, including high computational costs, slow convergence, and memory inefficiencies, especially for real-time applications. These drawbacks arise from the need to densely sample rays through volumetric representations and the reliance on neural networks for rendering.

Recently, 3DGS has shown great promise in 3D reconstruction by avoiding the aforementioned limitations of NeRF-based representations. It also achieves faster rendering speeds, which is why we chose it as our primary map representation. **Monocular** Photo-SLAM [3] pioneered the integration of photometric consistency into SLAM frameworks, achieving real-time photorealistic mapping from monocular input. GLORIE-SLAM [30] advances RGB-only dense SLAM with a neural point cloud representation and a novel DSPO layer for bundle adjustment, jointly optimizing pose, depth, and scale to address the lack of geometric priors in monocular SLAM. This approach improves mapping and rendering accuracy while remaining computationally efficient. **RGB-D** Methods like SplaTAM [5] and GS-SLAM [27] expand on this by incorporating both depth and color information, using 3DGS for efficient 3D scene representation. These systems enable tasks such as object interaction and robot manipulation, enhancing SLAM applications in robotics.

Building on these insights, our proposed SplatMap framework combines the robust pose estimation capabilities of DROID-SLAM with the high-fidelity mapping strengths of 3D Gaussian Splatting (3DGS). By leveraging SLAM-informed adaptive densification and geometry-guided optimization, SplatMap addresses the limitations of existing methods, achieving both accurate trajectory estimation and visually consistent dense reconstruction.

## 3 Methodology

The main idea of our approach is to supervise a 3D Gaussian splatting model using the output from dense monocular SLAM. Dense monocular SLAM can estimate dense depth maps and camera poses, while also providing uncertainty estimates for both depths and poses. With this information, we can train a 3D Gaussian splatting model with a dense depth loss weighted by the depths' marginal covariances. By using real-time implementations of both dense SLAM and 3D Gaussian splatting training, and by running these in parallel, we achieve real-time performance. Fig. 2 shows the flow of information in our pipeline. We now explain our architecture, starting with our tracking frontend and following by our mapping backend.

### 3.1 Video Stream Input and Factor Graph Construction

The SplatMap system takes a continuous monocular video stream as input and incrementally constructs a factor graph that captures the co-visibility relationships between frames. We begin by

constructing a factor graph  $G(V, E)$  from the input sequence of video frames, where  $V$  represents the set of frames and  $E$  represents the set of edges between frames. An edge exists between two frames if there are overlapping visual features between them, thereby capturing their co-visibility. As new frames are added, the factor graph is dynamically updated to maintain the co-visibility relationships between frames.

### 3.2 Tracking

During tracking, we iteratively refine camera poses  $T$  and depth maps  $d$  by solving an optimization problem defined over the factor graph. Inspired by the approach used in DROID-SLAM [19], we estimate incremental updates to the camera pose ( $\Delta\xi$ ) and depth ( $\Delta d$ ) for each frame.

The optimization process leverages the dense optical flow between frames. Specifically, the predicted flow  $f_{ij}^{\text{pred}}$  represents the pixel displacement field mapping pixels in frame  $i$  to their corresponding locations in frame  $j$ , as estimated RAFT [18]. The induced flow  $\omega_{ij}(T_{ij}, d_i)$  is computed based on the current camera pose  $T_{ij}$  and depth map  $d_i$ , and it represents the reprojection of pixels from frame  $i$  to frame  $j$ :

$$\omega_{ij}(T_{ij}, d_i) = \Pi_c(T_{ij} \circ \Pi_c^{-1}(p_i, d_i)) \quad (1)$$

Here,  $\circ$  denotes function composition, where  $\Pi_c^{-1}(p_i, d_i)$  maps 2D pixel coordinates  $p_i \in \mathbb{R}^{H \times W \times 2}$  and the corresponding depth map  $d_i \in \mathbb{R}^{H \times W}$  to a 3D point cloud, where  $T_{ij} \in \text{SE}(3)$  is the relative pose transformation between frames  $i$  and  $j$ ,  $\Pi_c$  is the camera projection operator, and  $\Pi_c^{-1}$  is its inverse that maps 2D pixel coordinates  $p_i$  and depth  $d_i$  to a 3D point cloud.

The optimization minimizes the discrepancy between the predicted flow and the corrected induced flow, weighted by the confidence matrix:

$$T, d = \min_{T, d} \sum_{(i,j) \in E} \left\| f_{ij}^{\text{pred}} - (\omega_{ij}(T_{ij}, d_i) + r_{ij}) \right\|_{\Sigma_{ij}}^2 \quad (2)$$

where  $r_{ij}$  is the flow correction term predicted by the ConvGRU, and  $\Sigma_{ij} = \text{diag}(W_{ij})$  is a diagonal confidence matrix derived during optimization.

To solve this optimization problem, we follow the Gauss-Newton algorithm implemented in DROID-SLAM [19]. The algorithm linearizes the objective function and computes updates for  $\Delta\xi$  and  $\Delta d$  efficiently using the Schur complement. At each iteration, the updated camera poses  $T$  and depth maps  $d$  progressively refine the reconstruction. Detailed derivations and implementation steps are described in [19].

### 3.3 Mapping

Once frames data enters the system, it is first filtered through a *motion filter* and a *keyframe threshold* to determine whether the current frame qualifies as a keyframe. Keyframes are selected based on camera motion and frame characteristics and stored in a dynamic *factor graph*  $G$  as mentioned in 3.1.

**3.3.1 Initialization of Factor Graph.** During the initialization phase, initial frames are used to initialize the factor graph by establishing sufficient keyframes and constraints, providing a stable foundation for subsequent optimization. For each keyframe, we obtain the estimated camera pose and disparity maps, derived as  $1/d$  from the estimated depth  $d$ , via SLAM's frontend tracking. Using these disparity maps, we then back-project 2D image points into 3D space, creating a dense sfm point cloud. This point cloud forms the basis of our scene model initialization.

**3.3.2 Gaussian Scene Modeling from Dense SLAM Point Cloud.** To model the dense SLAM point cloud, we represent the geometry as a set of 3D Gaussians, which capture the local geometric structure and uncertainty through covariance matrices. This transformation enhances the robustness of scene representation, addressing limitations of SLAM-generated point clouds, such as noise and lack of local continuity, and facilitates downstream optimization and rendering tasks within the 3DGS framework. Following the 3DGS approach, each Gaussian is defined by a full 3D covariance matrix  $\Sigma$  in world space, with the mean  $\mu$  located at each point:

$$\mathcal{G}(g) = \exp\left(-\frac{1}{2}(\mathbf{x} - \boldsymbol{\mu})^T \Sigma^{-1} (\mathbf{x} - \boldsymbol{\mu})\right) \quad (3)$$

Where Gaussian is centered at  $\mu$  and  $x$  is the position of a pixel. This Gaussian distribution is used to represent each point in the scene, capturing both its position and the uncertainty associated with it.

**3.3.3 Covariance Matrix Decomposition.** The covariance matrix  $\Sigma$  of the 3D Gaussian distribution can be decomposed into a *scaling matrix*  $S$  and a *rotation matrix*  $R$ , providing an intuitive yet powerful representation for optimization:

$$\Sigma = RSS^T R^T \quad (4)$$

where  $S$  is a diagonal matrix that encodes the scaling along different axes of the ellipsoid, and  $R$  is a rotation matrix that describes the orientation of the ellipsoid in space. For practical purposes, we store  $S$  as a 3D vector and  $R$  as a quaternion, allowing independent optimization of both factors. This decomposition ensures efficient representation and facilitates optimization, as each element can be treated separately during gradient descent.

**3.3.4 SLAM-Informed Adaptive Densification.** Monocular SLAM systems often generate inaccurate point clouds during the early stages of mapping due to limited observations and uncertainties in depth and pose estimation. These inaccuracies arise from insufficient baseline for triangulation and weak pose constraints, which are particularly pronounced in the initialization phase. Such erroneous estimates can result in geometric and topological inconsistencies, inaccurate depth estimation, and error propagation to downstream rendering tasks. As shown in Fig.3 the Gaussians with wrong estimated depth will result in “ghost” artifacts on walls and furniture, particularly when viewed from untrained perspectives. Moreover, these issues increase computational costs for Gaussian modeling, as additional resources are required to correct the initial inaccuracies.

While traditional 3D Gaussian Splatting (3DGS) densification methods excel at densifying sparse point clouds (e.g., Photo-SLAM), they are inefficient for our system, which generates dense point clouds for each frame. Such methods fail to address the early-stage inaccuracies in SLAM-generated point clouds and add unnecessary computational overhead for densification. To overcome these challenges, we propose SLAM-Informed Adaptive Densification (SIAD), which leverages SLAM’s dynamic updates to refine the point cloud online. By pruning erroneous points, incorporating new ones, and adapting Gaussian representations based on reliable masks, our approach ensures accurate and efficient point cloud refinement without redundant densification steps.

**Point Reliability Mask Generation.** Reliability masks in SLAM are critical for determining which points are valid or reliable in the dense depth and pose estimation process. In DROID-SLAM, these masks are derived and updated iteratively during tracking and optimization. Specifically, in our method the reliability masks  $m_i$  are created based on the following consistency metrics:

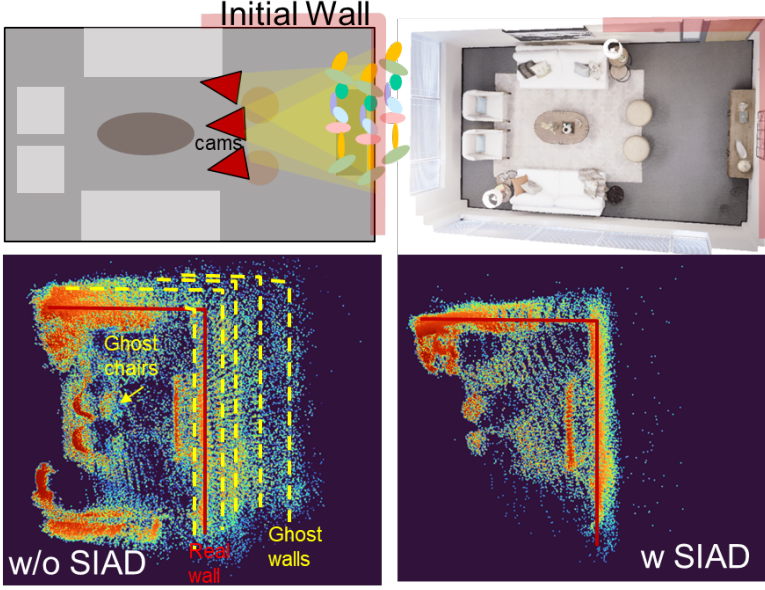


Fig. 3. When the Gaussian scale is set to 0.01, the inaccuracy of Gaussian position estimation becomes evident, particularly during the initial phase of SLAM when data is sparse. The accumulation of non-updated Gaussian point clouds results in ghosting artifacts on walls and furniture, which degrades both the geometric quality of the reconstruction and the final rendering performance.

- (1) **Depth Consistency Check** Each frame  $i$  maintains a dense depth map  $d_i$ , and the corresponding mask  $m_i$  is generated to indicate valid depth points:

$$m_i(p) = \begin{cases} 1, & \text{if } d_i(p) > 0 \text{ and } d_i(p) \text{ is consistent} \\ 0, & \text{otherwise} \end{cases} \quad (5)$$

Here,  $p$  represents a pixel in the frame. Validity is determined by the network's depth predictions and their geometric consistency across frames. A depth value  $d_i(p)$  is considered consistent if it aligns geometrically with its reprojected counterpart in neighboring frames and remains stable across consecutive frames.

- (2) **Frame-to-Frame Geometric Consistency** Our system uses camera poses  $T_{ij}$  and depth maps  $d_i$  to establish geometric correspondences between frames  $i$  and  $j$ . Re-projection and distance calculations were defined as:

$$\mathbf{x}_j = T_{ij} \cdot \mathbf{x}_i, \quad d(\mathbf{x}_i, \mathbf{x}_j) = \|\mathbf{x}_j - \hat{\mathbf{x}}_j\| \quad (6)$$

where  $\mathbf{x}_i$  and  $\mathbf{x}_j$  are 3D points in frames  $i$  and  $j$ , and  $\hat{\mathbf{x}}_j$  is the reprojected point from  $\mathbf{x}_i$ . If  $d(\mathbf{x}_i, \mathbf{x}_j) > \text{thresh}$ , the point is marked invalid in  $m_i$ .

- (3) **Factor Graph Confidence Weight** During optimization, reliable edges are those that exhibit higher weights  $w_{ij}$ , indicating stronger geometric consistency between the connected frames. Such edges are preserved in the graph, and the associated points in the masks  $m_i$  of the connected frames are retained. The weight  $w_{ij}$  reflects the confidence of the correspondence between the two frames, based on the projection and matching quality of their respective points.



For individual points, their weights  $w_{ij}(p)$  are evaluated independently from the conv-GRU. Points with low confidence weights, where  $w_{ij}(p) < \epsilon$ , are considered unreliable and are removed from the graph. This removal is reflected in the mask  $m_i$  of the corresponding frame, with the invalidated points marked as:

$$m_i(p) = 0, \quad \text{if } \text{mean}(w_{ij}(p)) < \epsilon \quad (7)$$

*Dynamic Mask Updates.* Reliability masks are updated dynamically by evaluating geometric distances between frames, and points are marked valid or invalid based on proximity thresholds. This ensures that masks reflect changes in scene structure and camera trajectory during optimization.

*SLAM-Informed Adaptive Densification.* The SLAM-Informed Adaptive Densification process leverages the dynamically updated masks to adaptively adjust the point cloud’s density, ensuring it reflects the current scene structure accurately. This process consists of three core components:

(1) **Position Updates for Existing Points** For points that remain valid in the updated masks,  $m^{(k-1)}(p) = 1$  and  $m^{(k)}(p) = 1$ , their positions are updated based on SLAM’s tracking results. Given the incremental camera pose update  $\Delta\xi^{(k)}$ , the updated position  $g_p^{(k)}$  of a point  $g_p^{(k-1)}$  is:

$$g_p^{(k)} = \exp(\Delta\xi^{(k)}) \circ T_{ij} \circ \Pi_c^{-1}(p, d_i^{(k-1)} + \Delta d_i^{(k)}) \quad (8)$$

(2) **Pruning of Invalid Points** For points that are marked invalid in the updated masks,  $m^{(k-1)}(p) = 1$  and  $m^{(k)}(p) = 0$ , are pruned from the point cloud:

$$g_p^{(k)} \rightarrow \emptyset, \quad \text{if } m^{(k)}(p) = 0 \quad (9)$$

This ensures that outdated or unreliable points, as determined by SLAM, do not pollute the Gaussian splatting representation.

(3) **Densification for Newly Valid Points** For points that are newly added to the mask,  $m^{(k-1)}(p) = 0$  and  $m^{(k)}(p) = 1$ , we generated new Gaussian splatting points by initializing the points location using Eq.8.

*3.3.5 Keyframe Selection and Optimization Strategy.* To efficiently handle the temporal sequence of SLAM and maintain geometric accuracy during mapping, our system continuously processes incoming video frames in the SLAM frontend. A motion-based filter, inspired by [19], is employed to identify and select keyframes. This filter evaluates the relative motion between frames, prioritizing frames with significant pose differences or high optical flow magnitudes, while discarding redundant frames. The selected keyframes ensure that the SLAM system captures sufficient geometric diversity for accurate reconstruction without overwhelming computational resources.

We maintain a frontend keyframe window with a default size of 25. At each iteration, the system updates the camera poses and depth estimates for all keyframes within this window using a bundle adjustment-like optimization process. These updates are subsequently propagated to the mapping module, where the dense point cloud is refined and reconstructed into a Gaussian-based scene representation.

*Mapping with 3D Gaussian Splatting.* In the mapping module, the SLAM outputs—updated camera poses and depth maps—are used to refine the 3D Gaussian scene representation. The means  $\mu$  of the Gaussians, representing point positions, are adjusted based on the updated depth and pose information. Specifically, the updated depth maps provide refined 3D coordinates, while pose updates ensure consistent alignment within the global frame. Unlike the means, the covariance matrices  $\Sigma$ , which define the shape and uncertainty of each Gaussian, are optimized using downstream photometric and geometric constraints rather than directly by SLAM outputs.

We adopt same rendering method with 3DGS, in which each Gaussian is projected onto the image plane as a 2D elliptical footprint based on its mean  $\mu$  and covariance matrix  $\Sigma$ . The rendering pipeline accumulates contributions from all Gaussians through a rasterization process, where the opacity and color of each pixel are computed by blending overlapping Gaussian footprints. This method ensures efficient rendering while preserving high visual fidelity and geometric accuracy, making it particularly suitable for real-time applications.

*Geometry-Guided Optimization.* To achieve high-quality rendering that balances photometric consistency and geometric accuracy, we define a composite loss function. The RGB loss  $L_{\text{rgb}}$ , inspired by Plenoxels [29] and 3DGS, ensures consistency between the rendered and ground truth images. Unlike 3DGS, which uses a combination of  $L_1$  loss and SSIM loss, we enhance perceptual quality by incorporating multi-scale SSIM (MS-SSIM) [23], which captures perceptual consistency across different resolutions. The RGB loss is defined as:

$$L_{\text{rgb}} = (1 - \lambda_{\text{ms-ssim}})L_1 + \lambda_{\text{ms-ssim}}L_{\text{ms-ssim}} \quad (10)$$

Here  $L_1$  minimizes pixel-wise differences, and  $L_{\text{ms-ssim}}$  improves perceptual quality across multiple scales. Specifically, MS-SSIM computes the structural similarity at multiple resolution levels, progressively downscaling the input images. This formulation ensures robustness to local variations and better perceptual alignment compared to the single-scale SSIM used in 3DGS.

To further capture the geometric relationships within the scene, we add an edge-aware normal loss  $L_{\text{normal}}$  [7] into our system. This loss uses the normal map  $\mathbf{N}$ , computed from the gradients of the depth map  $\mathbf{D}$  as:

$$\mathbf{N} = \frac{\nabla_x \mathbf{D} \times \nabla_y \mathbf{D}}{\|\nabla_x \mathbf{D} \times \nabla_y \mathbf{D}\|} \quad (11)$$

and penalizes the gradient of  $\mathbf{N}$  modulated by a weight function  $\omega(x) = (x - 1)^q$ , which balances smoothing in low-gradient areas and detail preservation at sharp edges:

$$L_{\text{geo}} = \frac{1}{HW} \sum_i^H \sum_j^W |\nabla \mathbf{N}| \otimes \omega(|\nabla I|) \quad (12)$$

We noticed that adding the edge-aware loss is effective for emphasizing geometric details but it amplifies the gradient penalties in high-gradient regions and suppresses them in flat areas. While effective for emphasizing geometric details, this approach may overemphasize sharp edges, resulting in very limited improvements in RGB rendering quality, reducing overall scene consistency. To address this, we propose a smooth weighting function that balances edge emphasis and spatial continuity using a Gaussian-like modulation:

$$\omega(x) = \exp\left(-\frac{|x - 1|^2}{\sigma^2}\right) \quad (13)$$

where  $\sigma$  controls the smoothness of the weighting, ensuring gradual transitions between high- and low-gradient regions. This modification reduces the over-penalization of sharp gradients and prevents excessively low penalties in flat areas, improving RGB rendering consistency without sacrificing geometric accuracy.

The final composite loss function integrates the RGB loss, the geometry-guided edge-aware normal loss is calculated:

$$L = L_{\text{rgb}} + \lambda_{\text{geo}}L_{\text{geo}} \quad (14)$$

Method	AVE	Room0	Room1	Room2	Office0	Office1	Office2	Office3	Office4
NICE-SLAM [32]	1.06	0.23	1.31	1.07	1.00	1.06	1.10	1.13	1.06
Vox-Fusion [28]	3.09	0.24	4.70	1.47	8.48	2.04	2.58	1.110	2.94
ESLAM [4]	0.63	0.25	0.70	0.52	0.57	0.55	0.58	0.72	0.63
Point-SLAM [13]	0.52	0.12	0.41	0.37	0.38	0.48	0.54	0.69	0.72
GS Slam [26]	0.50	0.08	0.53	0.33	0.53	0.41	0.46	0.70	0.70
SplaTAM [5]	0.36	0.10	0.40	0.29	0.47	0.27	0.29	0.55	0.72
MonoGS [8]	0.58	0.07	0.37	0.23	0.66	0.72	0.30	0.19	1.46
GLORIE-SLAM [30]	0.31	0.52	0.21	0.26	0.29	0.41	0.46	0.44	0.36
Photo-SLAM [3]	1.09	0.08	1.18	0.23	0.58	0.32	0.69	0.72	0.72
Ours	0.18	0.04	0.19	0.13	0.09	0.31	0.17	0.32	0.06

Table 1. Average Trajectory Error (ATE) for Different SLAM Methods.

## 4 Evaluation

### 4.1 Implementation and Experiment Setup

We evaluated SplatMap against several state-of-the-art (SOTA) SLAM systems, focusing on both RGB-D and monocular setups. For RGB-D systems, we compared with the neural radiance field (NeRF)-based SLAM systems *NICE-SLAM*[32] and *ESLAM*, as well as Gaussian-based SLAM methods including *GS-SLAM*[27] and *SplaTAM*[5]. For monocular systems, we selected *GLORIE-SLAM*[30] and *Photo-SLAM* [3].

We evaluated SplatMAP on the *Replica* dataset [15] and the *TUM RGB-D* dataset [2]. We used the Absolute Trajectory Error (ATE) metric [2] to assess localization accuracy, reporting both the RMSE and STD of ATE. Quantitative evaluations of photorealistic mapping performance were conducted using PSNR, SSIM, and LPIPS metrics.

All comparison methods using their official implementations, SplatMap and the comparison methods were run on a desktop equipped with an NVIDIA RTX 4090 24 GB GPU, an Intel Core i9-13900K CPU, and 64 GB of RAM, and A6000 Server with 50GB GPU.

### 4.2 Tracking Results

We evaluated several state-of-the-art RGB and RGB-D SLAM methods on the *Replica* dataset using the root mean square error (RMSE) of Absolute Trajectory Error (ATE), as shown in Table 1. Traditional methods like *NICE-SLAM* and *Vox-Fusion* exhibited higher ATE values (1.060 and 3.090, respectively), reflecting challenges in accurate trajectory estimation. Advanced methods such as *SplaTAM* (0.360), *GS-SLAM* (0.500), and Gaussian Splatting SLAM (0.580) demonstrated improved performance, with monocular systems like *GLORIE-SLAM* achieving a competitive ATE of 0.310.

Our proposed method achieved the best overall performance, with an average ATE of 0.179, a 50% reduction compared to *SplaTAM*. Notably, it recorded the lowest ATE in five out of nine scenes, including *Room0* (0.040), *Room1* (0.190), and *Office0* (0.094). These results highlight the superior accuracy and robustness of our approach in trajectory estimation, providing a reliable foundation for the following mapping and rendering tasks.

### 4.3 Mapping Results

We evaluated the performance of SplatMap on the *Replica* and *TUM-RGBD* datasets using PSNR, SSIM, and LPIPS metrics, as shown in Tab. 2 and 3. While our system is monocular, it outperformed not only state-of-the-art (SOTA) monocular SLAM systems but also surpassed several RGB-D SLAM systems, demonstrating the robustness and accuracy of our approach.

Input	Method	Metric	AVE	Room0	Room1	Room2	Office0	Office1	Office2	Office3	Office4
RGBD	NICE-SLAM [32]	PSNR	24.42	22.12	22.47	24.52	29.07	30.34	19.66	22.23	24.49
		SSIM	0.81	0.69	0.76	0.81	0.87	0.89	0.80	0.80	0.86
		LPIPS	0.23	0.33	0.27	0.21	0.230	0.18	0.24	0.21	0.200
	Vox-Fusion [28]	PSNR	24.41	22.39	22.36	23.92	27.79	29.83	20.33	23.47	25.21
		SSIM	0.80	0.68	0.68	0.80	0.86	0.88	0.79	0.80	0.85
		LPIPS	0.24	0.30	0.30	0.23	0.24	0.18	0.24	0.21	0.20
	ESLAM [4]	PSNR	29.08	25.32	27.77	29.08	33.71	30.20	28.09	28.77	29.71
		SSIM	0.93	0.88	0.90	0.93	0.96	0.92	0.94	0.95	0.95
		LPIPS	0.25	0.31	0.30	0.25	0.18	0.23	0.24	0.20	0.200
	Point-SLAM [13]	PSNR	35.17	32.40	34.08	35.50	38.26	39.16	33.99	33.48	33.49
		SSIM	0.98	0.97	0.98	0.98	0.98	0.99	0.96	0.96	0.98
		LPIPS	0.12	0.11	0.12	0.11	0.10	0.12	0.16	0.13	0.14
	GS Slam [26]	PSNR	34.27	31.56	32.86	32.56	38.70	41.17	32.36	32.03	32.92
		SSIM	0.98	0.97	0.97	0.97	0.99	0.99	0.98	0.97	0.97
		LPIPS	0.08	0.09	0.08	0.09	0.05	0.03	0.09	0.11	0.11
	SplatTAM [5]	PSNR	34.110	32.86	33.89	35.25	38.26	39.17	31.97	29.70	31.81
		SSIM	0.97	0.98	0.97	0.98	0.98	0.97	0.97	0.95	0.95
		LPIPS	0.10	0.07	0.10	0.08	0.09	0.10	0.10	0.12	0.15
MONO	GLORIE-SLAM [30]	PSNR	31.04	28.49	30.09	29.98	35.88	37.15	28.45	28.54	29.73
		SSIM	0.97	0.96	0.97	0.96	0.98	0.99	0.97	0.97	0.97
		LPIPS	0.12	0.13	0.13	0.14	0.09	0.08	0.15	0.11	0.15
	PhotoSLAM [3]	PSNR	33.30	29.77	31.30	33.18	36.99	37.59	31.79	31.62	34.17
		SSIM	0.93	0.87	0.91	0.93	0.96	0.95	0.93	0.92	0.94
		LPIPS	0.079	0.11	0.08	0.07	0.06	0.06	0.09	0.09	0.07
	Ours	PSNR	36.864	35.367	31.746	38.111	42.888	42.082	35.785	35.004	33.930
		SSIM	0.985	0.988	0.950	0.992	0.996	0.995	0.990	0.991	0.974
		LPIPS	0.040	0.031	0.088	0.026	0.014	0.019	0.039	0.039	0.064

Table 2. PSNR, SSIM, and LPIPS Metrics for Different SLAM Methods on Replica Dataset.

4.3.1 *Replica*. Among monocular systems, SplatMap achieved an average PSNR of 36.864, outperforming GLORIE-SLAM (31.04) by 18.8% and PhotoSLAM (33.303) by 10.7%. Similarly, our SSIM score of 0.985 represents a 1.5% improvement over GLORIE-SLAM (0.97) and a 6.4% improvement over PhotoSLAM (0.926). In perceptual quality (LPIPS), SplatMap achieved 0.040, which is a 66.7% reduction compared to GLORIE-SLAM (0.12) and a 49.4% reduction compared to PhotoSLAM (0.079).

When compared to RGB-D systems, SplatMap consistently demonstrated superior results despite using only monocular input. For example, it achieved a higher PSNR than NICE-SLAM (24.420) and E-SLAM (29.080), with relative improvements of 50.9% and 26.8%, respectively.

4.3.2 *TUM*. On the TUM-RGBD dataset, SplatMap achieved an average PSNR of 23.121, surpassing GLORIE-SLAM (20.99) by 10.2% and PhotoSLAM (19.53) by 18.3%. The SSIM of 0.879 showed a 14.1% improvement over PhotoSLAM (0.77) and a 6.6% improvement over GLORIE-SLAM (0.82). In LPIPS, SplatMap achieved 0.196, a 34.7% reduction compared to GLORIE-SLAM (0.30) and 14.8% lower than PhotoSLAM (0.23). In Fig. 4 and 5, we visualize the detailed comparisons between our method and SOTA SLAM systems on the Replica and TUM-RGBD datasets, respectively.

#### 4.4 Ablation Study

Table 4 presents the results of the ablation study on the Replica Dataset Room0, evaluating the impact of different components added to the base model. The Base model, which is an online Gaussian SLAM system with edge-aware loss, achieves a PSNR of 33.344, SSIM of 0.979, and LPIPS of 0.054. By incorporating SIAD, the PSNR improves to 33.943, and both SSIM (0.982) and LPIPS (0.046) metrics indicate enhanced image quality, demonstrating the effectiveness of SIAD in refining the reconstruction.



Input	Method	Metric	AVE	f1/desk	f1/desk2	f1/room	f2/xyz	f3/off
RGBD	SplaTAM [5]	PSNR	-	22.00	-	-	24.50	21.90
		SSIM	-	0.86	-	-	0.95	0.88
		LPIPS	-	0.23	-	-	0.10	0.20
MONO	MonoGS [8]	PSNR	18.81	19.67	19.16	18.41	16.17	20.63
		SSIM	0.70	0.73	0.66	0.64	0.72	0.77
		LPIPS	0.39	0.33	0.48	0.51	0.31	0.34
	GORIE-SLAM [30]	PSNR	20.99	20.26	19.09	18.78	25.62	21.21
		SSIM	0.77	0.79	0.92	0.73	0.72	0.72
		LPIPS	0.30	0.31	0.38	0.38	0.09	0.32
	PhotoSLAM [3]	PSNR	-	20.97	-	-	21.07	19.59
		SSIM	-	0.74	-	-	0.73	0.69
		LPIPS	-	0.23	-	-	0.17	0.24
	Ours	PSNR	23.121	22.414	24.194	22.501	22.791	23.707
		SSIM	0.879	0.900	0.842	0.862	0.892	0.900
		LPIPS	0.196	0.188	0.251	0.229	0.156	0.154

Table 3. PSNR, SSIM, and LPIPS Metrics for Different SLAM Methods on TUM-RGBD dataset.

Base	SMOOTH	SIAD	MSSSIM	PSNR	SSIM	LPIPS
✓	×	×	×	33.344	0.979	0.054
✓	×	✓	×	33.943	0.982	0.046
✓	✓	×	×	34.444	0.985	0.037
✓	✓	✓	×	34.549	0.985	0.036
✓	✓	✓	✓	34.693	0.986	0.033

Table 4. Ablation Study on Replica Dataset Room0

Adding the SMOOTH component improves the PSNR to 34.444, SSIM to 0.985, and LPIPS to 0.037, indicating that smoothness constraints significantly enhance geometric consistency and rendering quality. Combining SMOOTH and SIAD further boosts the PSNR to 34.549, while maintaining a high SSIM of 0.985 and a slightly improved LPIPS of 0.036. Finally, integrating MSSSIM (Multi-Scale Structural Similarity) yields the best results, with a PSNR of 34.693, SSIM of 0.986, and LPIPS of 0.033.

## 5 Conclusion

In this paper, we introduced a novel framework for high-fidelity monocular 3D reconstruction by integrating dense SLAM with 3DGS. Our approach addresses the limitations of traditional sparse reconstruction pipelines by leveraging SLAM’s dense depth and pose estimation capabilities to densify Gaussian scene representations dynamically. The proposed *SLAM-Informed Adaptive Densification* transforms conventional sparse SLAM point cloud based Gaussian splatting into a dense reconstruction process, enabling richer geometric detail. Additionally, the *Geometry-Guided Optimization* framework incorporates edge-aware geometric constraints, ensuring both structural accuracy and visual fidelity in the reconstructed scenes.

The effectiveness of our framework was demonstrated through extensive experiments on both the Replica and TUM-RGBD datasets, where our system achieved state-of-the-art performance among monocular SLAM systems. Specifically, on the Replica dataset, our method achieved a PSNR of 36.864, SSIM of 0.985, and LPIPS of 0.040, representing improvements of 10.7%, 6.4%, and 49.4%,

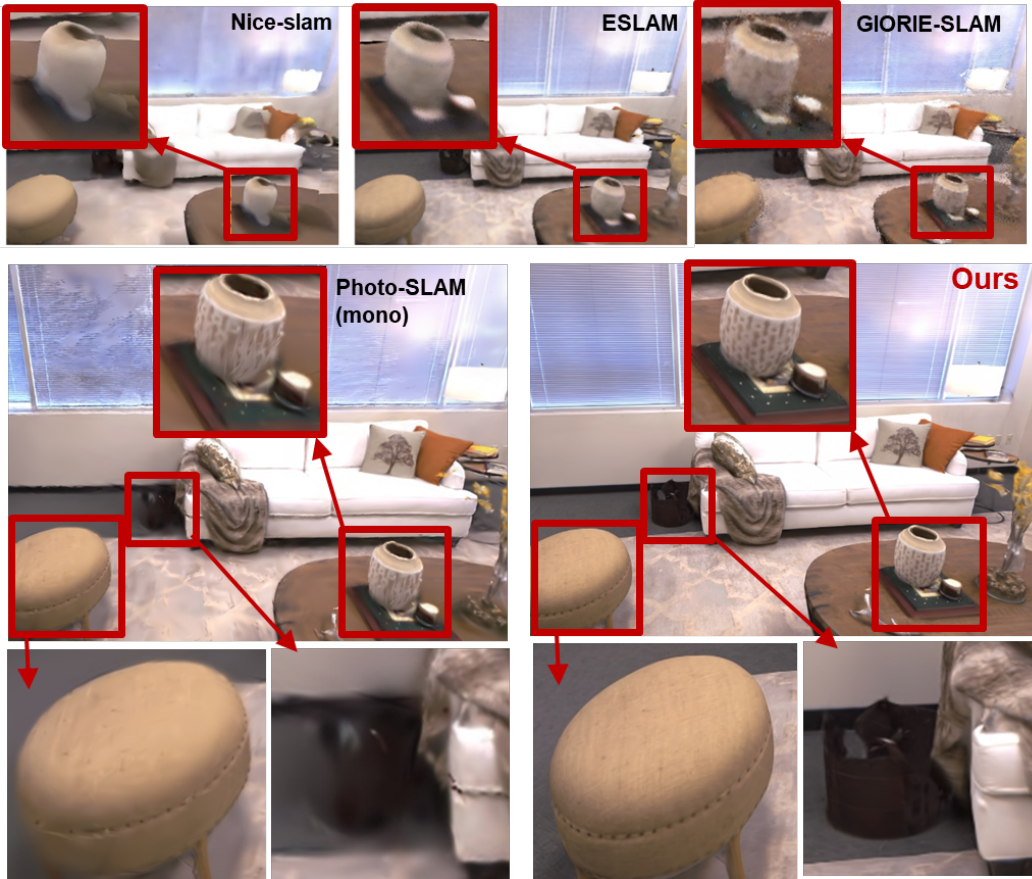


Fig. 4. Mapping Comparison On Replica Dataset

respectively, over Photo-SLAM, the previous SOTA monocular method. On the TUM-RGBD dataset, our method achieved a PSNR of 23.121, SSIM of 0.879, and LPIPS of 0.196, surpassing GIORIE-SLAM by 10.2%, 6.6%, and 34.7%, respectively.

Notably, despite being a monocular system, our framework demonstrated competitive performance compared to RGB-D SLAM systems, such as NICE-SLAM and SplatAM, while maintaining real-time inference capabilities. By bridging the gap between sparse and dense 3D scene representations, our approach sets a new benchmark for monocular dense 3D reconstruction pipelines. Future research directions include expanding the scalability of the system to handle larger and more dynamic environments, exploring the integration of semantic understanding for object-aware mapping and interaction, and investigating further optimizations to reduce memory and computational requirements for resource-constrained devices. These advancements will further enhance the practicality and applicability of our system for real-world applications.

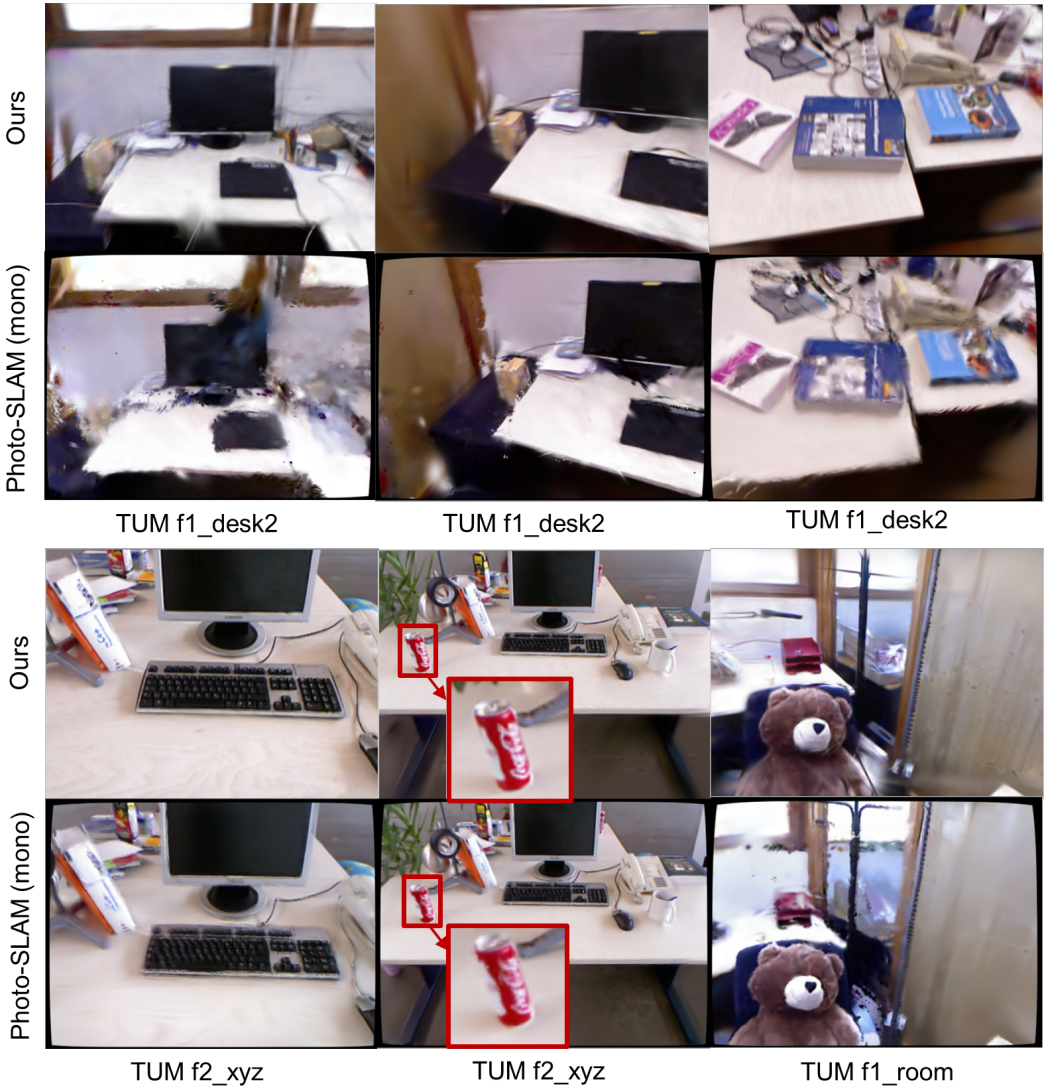


Fig. 5. Mapping Comparison On TUM dataset

## References

- [1] Jakob Engel, Thomas Schöps, and Daniel Cremers. 2014. LSD-SLAM: Large-scale direct monocular SLAM. In *European conference on computer vision*. Springer, 834–849.
- [2] Alex Fisher, Ricardo Cannizzaro, Madeleine Cochrane, Chatura Nagahawatte, and Jennifer L Palmer. 2021. ColMap: A memory-efficient occupancy grid mapping framework. *Robotics and Autonomous Systems* 142 (2021), 103755.
- [3] Huajian Huang, Longwei Li, Hui Cheng, and Sai-Kit Yeung. 2024. Photo-SLAM: Real-time Simultaneous Localization and Photorealistic Mapping for Monocular Stereo and RGB-D Cameras. In *Proceedings of the IEEE/CVF Conference on Computer Vision and Pattern Recognition*. 21584–21593.
- [4] Mohammad Mahdi Johari, Camilla Carta, and François Fleuret. 2023. ESLAM: Efficient Dense SLAM System Based on Hybrid Representation of Signed Distance Fields. arXiv:2211.11704 [cs.CV] <https://arxiv.org/abs/2211.11704>
- [5] Nikhil Keetha, Jay Karhade, Krishna Murthy Jatavallabhula, Gengshan Yang, Sebastian Scherer, Deva Ramanan, and Jonathon Luiten. 2024. SplaTAM: Splat Track & Map 3D Gaussians for Dense RGB-D SLAM. In *Proceedings of the*

- IEEE/CVF Conference on Computer Vision and Pattern Recognition*. 21357–21366.
- [6] Bernhard Kerbl, Georgios Kopanas, Thomas Leimkühler, and George Drettakis. 2023. 3D Gaussian Splatting for Real-Time Radiance Field Rendering. *ACM Trans. Graph.* 42, 4 (2023), 139–1.
  - [7] Rong Liu, Rui Xu, Yue Hu, Meida Chen, and Andrew Feng. 2024. AtomGS: Atomizing Gaussian Splatting for High-Fidelity Radiance Field. *arXiv preprint arXiv:2405.12369* (2024).
  - [8] Hidenobu Matsuki, Riku Murai, Paul HJ Kelly, and Andrew J Davison. 2024. Gaussian splatting slam. In *Proceedings of the IEEE/CVF Conference on Computer Vision and Pattern Recognition*. 18039–18048.
  - [9] Ben Mildenhall, Pratul P Srinivasan, Matthew Tancik, Jonathan T Barron, Ravi Ramamoorthi, and Ren Ng. 2021. Nerf: Representing scenes as neural radiance fields for view synthesis. *Commun. ACM* 65, 1 (2021), 99–106.
  - [10] Raul Mur-Artal, Jose Maria Martinez Montiel, and Juan D Tardos. 2015. ORB-SLAM: a versatile and accurate monocular SLAM system. *IEEE transactions on robotics* 31, 5 (2015), 1147–1163.
  - [11] Raul Mur-Artal and Juan D Tardós. 2017. Orb-slam2: An open-source slam system for monocular, stereo, and rgb-d cameras. *IEEE transactions on robotics* 33, 5 (2017), 1255–1262.
  - [12] Linfei Pan, Dániel Baráth, Marc Pollefeys, and Johannes L Schönberger. 2024. Global Structure-from-Motion Revisited. *arXiv preprint arXiv:2407.20219* (2024).
  - [13] Erik Sandström, Yue Li, Luc Van Gool, and Martin R Oswald. 2023. Point-slam: Dense neural point cloud-based slam. In *Proceedings of the IEEE/CVF International Conference on Computer Vision*. 18433–18444.
  - [14] Thomas Schops, Torsten Sattler, and Marc Pollefeys. 2019. Bad slam: Bundle adjusted direct rgb-d slam. In *Proceedings of the IEEE/CVF Conference on Computer Vision and Pattern Recognition*. 134–144.
  - [15] Julian Straub, Thomas Whelan, Lingni Ma, Yufan Chen, Erik Wijmans, Simon Green, Jakob J. Engel, Raul Mur-Artal, Carl Ren, Shobhit Verma, Anton Clarkson, Mingfei Yan, Brian Budge, Yajie Yan, Xiaqing Pan, June Yon, Yuyang Zou, Kimberly Leon, Nigel Carter, Jesus Briales, Tyler Gillingham, Elias Mueggler, Luis Pesqueira, Manolis Savva, Dhruv Batra, Hauke M. Strasdat, Renzo De Nardi, Michael Goesele, Steven Lovegrove, and Richard Newcombe. 2019. The Replica Dataset: A Digital Replica of Indoor Spaces. *arXiv:1906.05797* [cs.CV] <https://arxiv.org/abs/1906.05797>
  - [16] Edgar Sucar, Shikun Liu, Joseph Ortiz, and Andrew J Davison. 2021. imap: Implicit mapping and positioning in real-time. In *Proceedings of the IEEE/CVF international conference on computer vision*. 6229–6238.
  - [17] Jiaxiang Tang, Jiawei Ren, Hang Zhou, Ziwei Liu, and Gang Zeng. 2023. Dreamgaussian: Generative gaussian splatting for efficient 3d content creation. *arXiv preprint arXiv:2309.16653* (2023).
  - [18] Zachary Teed and Jia Deng. 2020. Raft: Recurrent all-pairs field transforms for optical flow. In *Computer Vision—ECCV 2020: 16th European Conference, Glasgow, UK, August 23–28, 2020, Proceedings, Part II 16*. Springer, 402–419.
  - [19] Zachary Teed and Jia Deng. 2021. Droid-slam: Deep visual slam for monocular, stereo, and rgb-d cameras. *Advances in neural information processing systems* 34 (2021), 16558–16569.
  - [20] Murad Tukan, Fares Fares, Yotam Gruffinkle, Ido Talmor, Loay Mualem, Vladimir Braverman, and Dan Feldman. 2023. Orbslam3-enhanced autonomous toy drones: Pioneering indoor exploration. *arXiv preprint arXiv:2312.13385* (2023).
  - [21] Emanuele Vespa, Nikolay Nikolov, Marius Grimm, Luigi Nardi, Paul HJ Kelly, and Stefan Leutenegger. 2018. Efficient octree-based volumetric SLAM supporting signed-distance and occupancy mapping. *IEEE Robotics and Automation Letters* 3, 2 (2018), 1144–1151.
  - [22] Hengyi Wang, Jingwen Wang, and Lourdes Agapito. 2023. Co-slam: Joint coordinate and sparse parametric encodings for neural real-time slam. In *Proceedings of the IEEE/CVF Conference on Computer Vision and Pattern Recognition*. 13293–13302.
  - [23] Zhou Wang, Eero P Simoncelli, and Alan C Bovik. 2003. Multiscale structural similarity for image quality assessment. In *The Thirty-Seventh Asilomar Conference on Signals, Systems & Computers, 2003*, Vol. 2. Ieee, 1398–1402.
  - [24] Thomas Whelan, Stefan Leutenegger, Renato F Salas-Moreno, Ben Glocker, and Andrew J Davison. 2015. ElasticFusion: Dense SLAM without a pose graph. In *Robotics: science and systems*, Vol. 11. Rome, Italy, 3.
  - [25] Guanjun Wu, Taoran Yi, Jiemin Fang, Lingxi Xie, Xiaopeng Zhang, Wei Wei, Wenyu Liu, Qi Tian, and Xinggang Wang. 2024. 4d gaussian splatting for real-time dynamic scene rendering. In *Proceedings of the IEEE/CVF Conference on Computer Vision and Pattern Recognition*. 20310–20320.
  - [26] Chi Yan, Delin Qu, Dan Xu, Bin Zhao, Zhigang Wang, Dong Wang, and Xuelong Li. 2024. GS-SLAM: Dense Visual SLAM with 3D Gaussian Splatting. *arXiv:2311.11700* [cs.CV] <https://arxiv.org/abs/2311.11700>
  - [27] Chi Yan, Delin Qu, Dan Xu, Bin Zhao, Zhigang Wang, Dong Wang, and Xuelong Li. 2024. Gs-slam: Dense visual slam with 3d gaussian splatting. In *Proceedings of the IEEE/CVF Conference on Computer Vision and Pattern Recognition*. 19595–19604.
  - [28] Xingrui Yang, Hai Li, Hongjia Zhai, Yuhang Ming, Yuqian Liu, and Guofeng Zhang. 2022. Vox-fusion: Dense tracking and mapping with voxel-based neural implicit representation. In *2022 IEEE International Symposium on Mixed and Augmented Reality (ISMAR)*. IEEE, 499–507.
  - [29] Alex Yu, Sara Fridovich-Keil, Matthew Tancik, Qinhong Chen, Benjamin Recht, and Angjoo Kanazawa. 2021. Plenoxels: Radiance fields without neural networks. *arXiv preprint arXiv:2112.05131* 2, 3 (2021), 6.



- [30] Ganlin Zhang, Erik Sandström, Youmin Zhang, Manthan Patel, Luc Van Gool, and Martin R Oswald. 2024. Glorie-slam: Globally optimized rgb-only implicit encoding point cloud slam. *arXiv preprint arXiv:2403.19549* (2024).
- [31] Zihan Zhu, Songyou Peng, Viktor Larsson, Zhaopeng Cui, Martin R Oswald, Andreas Geiger, and Marc Pollefeys. 2024. Nicer-slam: Neural implicit scene encoding for rgb slam. In *2024 International Conference on 3D Vision (3DV)*. IEEE, 42–52.
- [32] Zihan Zhu, Songyou Peng, Viktor Larsson, Weiwei Xu, Hujun Bao, Zhaopeng Cui, Martin R Oswald, and Marc Pollefeys. 2022. Nice-slam: Neural implicit scalable encoding for slam. In *Proceedings of the IEEE/CVF conference on computer vision and pattern recognition*. 12786–12796.