

# BoxMAC - A Boxing Dataset for Multi-label Action Classification

Shashikanta Sahoo

Indian Institute of Technology Madras, India

shashisahoo123@gmail.com

## Abstract

In competitive combat sports like boxing, analyzing a boxer’s performance statistics is crucial for evaluating the quantity and variety of punches delivered during bouts. These statistics provide valuable data and feedback, which are routinely used for coaching and performance enhancement. We introduce BoxMAC, a real-world boxing dataset featuring 15 professional boxers and encompassing 13 distinct action labels. Comprising over 60,000 frames, our dataset has been meticulously annotated for multiple actions per frame with inputs from a boxing coach. Since two boxers can execute different punches within a single timestamp, this problem falls under the domain of multi-label action classification. We propose a novel architecture for jointly recognizing multiple actions in both individual images and videos. We investigate baselines using deep neural network architectures to address both tasks. We believe that BoxMAC will enable researchers and practitioners to develop and evaluate more efficient models for performance analysis. With its realistic and diverse nature, BoxMAC can serve as a valuable resource for the advancement of boxing as a sport.

## 1. Introduction

Sports video analysis is rapidly emerging as a thriving industry, offering invaluable insights into both the physical and tactical aspects of games, as well as the performance evaluation of athletes. This technology serves as a vital tool for coaches and the sports industry, providing comprehensive assessments that enhance training strategies and optimize player performance [16, 37]. Despite this keen interest and recent growth, there is very limited research on combat sports videos, especially boxing. In today’s competitive sporting landscape, the majority of statistics is compiled through human annotation, with specialists meticulously collecting raw data by manually observing video footage. However, vision-based approaches offer a promising alternative, as they can automatically detect these actions and deliver comprehensive analyses without the need for sen-



Figure 1. Output results of our method on BoxMAC.

sors attached to the athletes, a practice prohibited by competition regulations.

Sporting professionals commonly analyze a boxer’s movement by meticulously tracking the various types of punches they execute toward their opponent’s body or head. Punch recognition stands out as a critical step in scrutinizing a boxer’s performance, providing invaluable insights into their techniques and strategies. The tracking of boxers’ hands and the accurate recognition of boxing punches enable detailed analysis of techniques, allowing for the identification of technical and tactical disparities between winners and losers[30][2]. By automatically counting various types of punches, valuable statistical measurements are generated, offering coaches essential assistance in optimizing training strategies and facilitating performance improvement initiatives [35] [21] [19].

Analyzing the movements of boxers has recently gathered attention in sports analysis. Navas et al. [21] [22] devised a training glove aimed at aiding fighters in mastering defensive techniques and punching mechanics to enhance their endurance. Morita et al. [20] [10] introduced a system capable of distinguishing between various punch types based on signals recorded by gyro sensors. This system provides valuable feedback on a boxer’s attacking patterns to refine their fighting style. Sports specialists manually examine video recordings of boxing matches to as-

sess the performance of winning and losing boxers, focusing on the punch types used in different rounds [1]. Watanamongkhol et al.[35] proposed a method for tracking the gloves of amateur boxers using footage captured by a stationary camera with a frontal view. This represents the sole published research to date on automated analysis of boxing videos. Researchers present an unsupervised approach for characterizing short-range boxing training sessions without requiring labeled data [31].

Recognizing boxing punches poses a considerable challenge, primarily due to the subtle differences between punch types, necessitating meticulous feature selection. Additionally, factors such as boxer stance (orthodox or southpaw) and whether punches are directed towards the body or head contribute to variations in the sequence of boxers' poses for each punch type. Boxers execute punches within a range of motion, including short or wide arcs, which influence their elbow flexion angle. Understanding the sequence of a boxer's body poses, particularly hand and elbow positions, is crucial for accurately classifying different punch types. To effectively recognize boxers' punches as they move within the ring, top-view footage is essential to analyze boxers' arms without encountering occlusions [13]. Recognizing the individual punches of the players becomes even more challenging when two players are engaged in a match.

We introduce BoxMAC, a real-world Boxing dataset for Multi-label Action Classification, that contains actual performances in the boxing ring by 15 Professional boxers across a range of 13 distinct boxing actions. This extensive dataset comprises over 60,000 meticulously annotated images to capture scenarios involving multiple actions in each frame. Each annotation has been carefully curated by human annotators under the expert guidance of a coach, ensuring accuracy and reliability. We also generate video clips based on frame annotations, grouping continuous frames with the same actions into short video segments. The procedure followed to create these video clips will be detailed in a subsequent section.

Our dataset encompasses a comprehensive range of boxing actions, including six primary punches: jab, cross, lead hook, rear hook, lead uppercut, and rear uppercut. Additionally, it covers other essential boxing maneuvers such as stance, slip, block, guard, duck, clinching, and the absence of any action (no action). In the context of multi-label action classification, where two boxers can execute different punches within a single image/video, we embarked on exploring mainstream deep convolutional neural network architectures (specifically, VGG16 [12], VGG19 [28], ResNet50 [9] and ViT[8] ) for Image classification, Whereas ConvLSTM [27] is used for Video Classification. Our investigation focused on assessing the effectiveness of various baseline models for multi-label boxing action clas-

sification using our dataset. This is aimed at addressing the challenges associated with accurately identifying multiple boxing actions within a single image. See Fig. 1 for sample results obtained in image classification using our method on BoxMAC. In Figure 1, the actual actions represent the ground truth annotation data, indicating the actions performed by the boxers, while the predicted labels correspond to the model's predictions.

To summarize, our main contributions are as follows:

- We have introduced a multimedia dataset (Image and Video data), named BoxMAC that showcases the performances of 15 professional boxers engaged in 13 distinct boxing actions. With over 60,000 frames and 2314 video clips, this dataset can serve as a rich resource for studying and analyzing different facets of boxing techniques and strategies.
- We have meticulously annotated each frame with the assistance of human annotators under the guidance of an expert coach to capture multiple boxing actions within each frame, including the creation of video clips. The presented annotations offer a comprehensive overview of various boxing maneuvers, ensuring accuracy and robustness.
- We present a strong baseline using deep networks for multi-label action classification in Image and Video datasets.

## 2. Related Works

Some efforts have already been made to compile comprehensive boxing datasets aimed at training and categorizing different punches performed by boxers. Prominent examples include the UCF Sports dataset [23, 29], KTH Video datasets [15, 25], and UTD-Multimodal Human Action dataset [6]. These datasets vary in their data collection methods, with some relying on sensor-based approaches while others are vision-based. For our computer vision task, we focus specifically on visual datasets. Our objective is to be able to classify boxing actions based only on visual frames and video clips..

The UCF sports dataset [23, 29] consists of videos sourced directly from YouTube, which include varying quality levels that may impede accurate recognition of punch types. Each video in this dataset has an average length of 12 seconds, but individual boxing punches are not specifically annotated. In contrast, our dataset addresses these challenges by providing clear annotations for each boxing punch, thereby overcoming these limitations and ensuring proper identification of video clips.

The UTD MHAD dataset [6] showcases only one person demonstrating various types of boxing punches in each

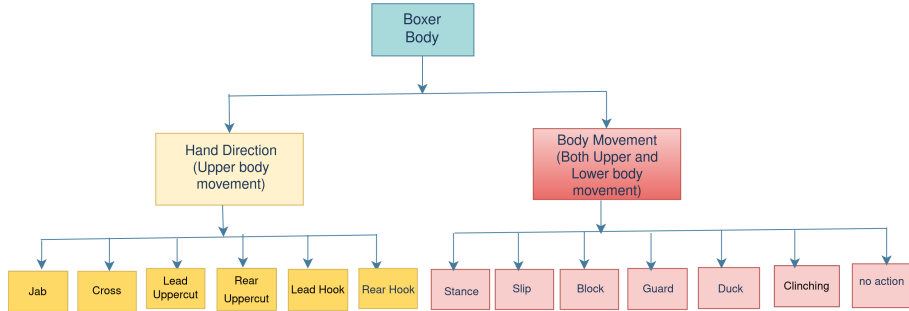


Figure 2. Overview of the 13 distinct boxing actions involving the boxer’s body.

frame, without the presence of a boxing ring. Movements in this dataset are not as delineated, and tracking is facilitated through wearable inertial sensors and recordings from Kinect cameras. In contrast, our dataset features two professional boxing players engaged in combat within a boxing ring, captured without the use of sensors, and recorded using four PTZ cameras.

The KTH Video dataset [15, 25] presents a single individual performing various boxing punches in an outdoor setting, lacking the presence of a boxing ring. Movements in this dataset are not as distinctly defined. In contrast, our dataset offers a more authentic representation of boxing scenarios.

Among the existing datasets, none offer a standardized dataset dedicated to boxing, encompassing detailed annotations for multiple actions within each frame. Additionally, some datasets are not publicly accessible, limiting their availability for research and analysis. In contrast, we utilized consumer-level cameras for recording our dataset, enabling us to extend our experiments without the need for expensive cameras.

Multi-label action classification in Images and videos widely applicable in fields like information retrieval and annotation, has seen significant development thanks to datasets like ImageNet [24] and improved hardware. While deep Neural network models originally designed for single-label classification have been extended to multi-label tasks with promising results, comparing their performance is challenging due to variations in backbone architectures. Additionally, the lack of established baselines for these models raises the challenge of assessing the effectiveness of specialized frameworks for multi-label classification [34]. We have included a literature review on boxing action classification in Table 1 for further reference.

### 3. BoxMAC dataset

The BoxMAC dataset has been compiled using a 4 PTZ camera setup. To capture the boxing activity, the cameras were strategically positioned around the boxing ring, en-

suring comprehensive coverage from different angles. The dataset features the participation of 15 professional boxers engaged in bouts, and a standardized procedure was employed throughout the dataset creation process. We recorded over 15 videos. Each video has an average length of 4 minutes and is recorded at 25 frames per second (fps). BoxMAC dataset is a collection of over 60,000 images of boxing footage spanning 13 distinct action labels. Each frame captures scenarios within the boxing ring involving multiple labels or actions. In Table 1, we present a description of each of the boxing actions.

In BoxMAC, the distribution of data types (labels) across all frames is as follows: 34% of the data corresponds to the ‘Stance’ label, followed by 12.8% for ‘Guard’, 10.2% to ‘Jab’, 12.2% to ‘No Action’, 5.2% to ‘Block’, 3.6% to ‘Cross’, 2.5% to ‘Clinching’, 4% to ‘Lead Hook’, 4.2% to ‘Rear Hook’, 3.9% to ‘Lead Uppercut’, 4.3% to ‘Rear Uppercut’, 1.4% to ‘Slip’, and 1.7% to ‘Duck’. This distribution provides a comprehensive overview of the representation of each label within the dataset, facilitating a comprehensive analysis and interpretation of the Image and Video data.

#### 3.1. Data Annotation

For annotation, we focus on body movements, with upper body movements, particularly hand direction, representing the six boxing punches: Jab, Cross, Lead Uppercut, Rear Uppercut, Lead Hook, and Rear Hook. The remaining seven boxing actions, such as Stance, Slip, Block, Guard, Duck, and Clinching, are associated with full-body movements. Please refer to Fig. 2 for an illustration of the boxing actions involving the boxer’s body.

Each image extracted from our collection of boxing videos underwent meticulous annotation conducted by human annotators under the supervision of a coach. Our annotation methodology was specifically tailored to capture the nuanced hand and leg movements exhibited by the boxers during their performances. This involved precise delineation of bounding boxes around the relevant hand and leg postures, enabling a granular analysis of the actions be-

Paper	Goal	Technical Procedure	Data Used	Limitations	Results	Punch Detection
[3]	Measure punch force and location	Deterministic formulae	Acceleration from IMUs in boxing bag	Requires precise, homogeneous sensor positioning	Relative error in force: 3%; acceleration: 1%	N
[11]	Develop a boxing glove to measure the power generated by punches	Direct measurements	Tri-axial accelerometer and piezoresistive force sensor	No classification of punches or further intelligence	Average intensities until boxer was fatigued	N
[7]	Measure punching force, stability, and velocity of three types of punches (cross, hook, and uppercut)	Kinematics-based formulae and statistical analysis of the three punch types using Matlab and SPSS	In-body IMUs	Sensors on body may be obstructive. Requires a large collection of samples for tuning the model	Quality differentiation between practitioners	N
[26]	Measure boxer fatigue	Kinematics and video analysis of a group of elite boxers	IMUs placed on body straps	Sensors for non-professional boxers. Non-real-time methodology	Combination separation by identifying long breaks between punches	N
[4]	Measure force and frequency of punches	Kinematics analysis from specific trainers	Force sensors distributed at specific training sites	Specific instrumentation development	Comparison of force and frequency of punches	N
[14]	Measure velocity and reach of boxers	Statistical analysis	Acceleration from IMUs	No punch classification. Sensors on body may be obstructive	Estimation of boxer's performance based on frequencies and forces	N
[36]	Punch classification performance for six different supervised techniques	ML technique, Two sensing configurations	Acceleration from IMUs on boxer's body	Session performance is not characterized. Sensors on the body may be obstructive	Over 90% classification accuracy with minimal training effort	Y
[32]	Automatic punch classification	Supervised random forest classifier	Acceleration from smartwatch	Use of large training dataset	Over 90% classification accuracy of frontal punch, hook, uppercut and no-action	Y
[12]	Automatic punch classification	Multi-class SVM and random forest classifiers	Image analysis in shadow boxing session	Results depend on camera position and orientation	Classification accuracy up to 96%	Y
[5]	Study posture correctness and movements in Thai boxing	cosine similarity and angular dynamic time warping to determine the similarity score between trainer and trainee.	3D body joint positions captured by Kinect	Limited to posture analysis	Methodology can be used for self-training using score results	Y
<b>This work</b>	Boxing actions classification in image and video data	Deep Neural network model for Action Classification	Introduce BoxMAC, a real-world boxing dataset featuring 15 professional boxers and encompassing 13 distinct action labels	Unable to identify individual players' actions in matches.	Achieves high accuracy in action classification for boxing matches in both image and video data.	Y

Table 1. Related Boxing Systems in Literature.

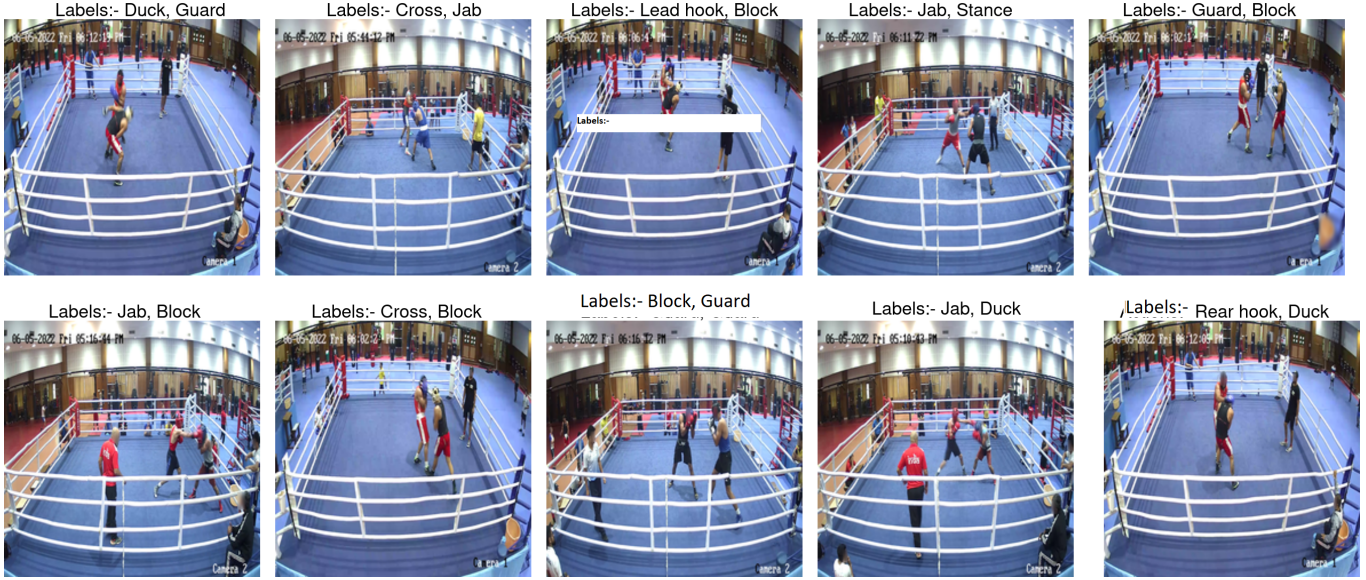


Figure 3. Representative examples of our boxing dataset with annotations.

	Boxing Actions	Description
1	Jab	Quick forward punch
2	Cross	Powerful straight punch
3	Lead Hook	Punch with lead hand
4	Rear Hook	Punch with rear hand
5	Lead Uppercut	Punch with lead hand, upward trajectory
6	Rear Uppercut	Punch with rear hand, upward trajectory
7	Stance	Standard boxing position
8	Slip	Quick evasion to avoid punches
9	Block	Defensive maneuver to absorb punches
10	Guard	Protective stance to shield from punches
11	Duck	Lowering the body to evade punches
12	Clinching	Close contact grappling during boxing
13	No Action	Idle stance or rest period

Table 2. Description of boxing actions.

ing executed. Given the dynamic nature of boxing matches, where multiple actions may occur concurrently, we adopted a multi-label annotation approach to ensure comprehensive labeling of each frame.

### 3.2. Formation of Image data and Video data

Our dataset comprises 60,000 meticulously annotated boxing frames, capturing multiple actions per frame under the guidance of a boxing coach. Given that two boxers can perform different punches within the same timestamp, we ensured detailed annotation for accurate representation. Refer to Fig. 3 for visual examples of image data from BoxMAC.

To create a video dataset, we generate video clips based on frame annotations, where continuous frames exhibiting the same actions are grouped into short clips. The process involves several steps: first, parse the annotations to iden-

tify sequences of frames with identical actions; next, group these frames into sequences according to their annotations; and finally, utilize a video processing library to compile video clips from these frame sequences. Each video clip contains a minimum of 8 frames and a maximum of 40 frames.

To create video clips based on frame annotations, we follow a structured process that can be mathematically represented as follows:

**Parse the Annotations:** Let  $A$  be the set of all annotations, where  $A = \{a_1, a_2, \dots, a_n\}$ . Each annotation  $a_i$  corresponds to a frame  $f_i$  and contains the action label  $l_i$ .

**Group Frames:** We group frames  $f$  into sequences  $S$  based on their action labels  $l$ . Define a sequence  $S_k$  as:

$$S_k = \{f_i, f_{i+1}, \dots, f_j\} \quad \text{if } l_i = l_{i+1} = \dots = l_j$$

where  $S_k$  is a sequence of continuous frames with the same action  $l_k$ .

**Create Video Clips:** Let  $V$  be the set of video clips, where each video clip  $v_k$  is created from a sequence  $S_k$  using a video processing library. The process can be expressed as:

$$V = \{v_1, v_2, \dots, v_m\} \quad \text{where } v_k = \text{create\_video\_clip}(S_k)$$

Given the class and counts of the video clips based on the annotation data, we denote each class  $c$  and its count  $N_c$ . The total number of video clips  $N_V$  is the sum of all counts:

$$N_V = \sum_c N_c$$

For example, if we have the following counts:  
 $N_{\text{no action\_cross\_guard}} = 5$ ,  $N_{\text{lead hook\_cross}} = 3$ ,  
 $N_{\text{lead uppercut\_block}} = 12$

The total number of video clips  $N_V$  would be:

$$N_V = 5 + 3 + 12 + \dots$$

We have a total of 85 video classes, encompassing a total of 2314 video clips.

In summary, the BoxMAC dataset stands out among existing boxing datasets due to its extensive coverage of boxing actions (see Table 2). Compared to other datasets such as the UCF Sports dataset [23, 29], KTH Video dataset [15, 25], and UTD-Multimodal Human Action dataset [6], BoxMAC offers the highest number of boxing actions. Additionally, it features 15 professional boxers, further enhancing its richness and diversity. Each frame in our dataset captures multiple boxing actions simultaneously, providing comprehensive insights into the dynamics of boxing movements. Refer to Fig. 3 for visual examples of image data from BoxMAC. Faces have been intentionally blurred.

## 4. Methodology

In this section, we detail the methodologies used to establish a robust baseline performance. We start by articulating the problem of multi-label action classification and outlining its fundamental formulation. Next, we describe the customized adjustments made to deep neural networks to meet the specific requirements of multi-label action classification. The methodology is divided into two distinct tasks: a) Image Classification b) Video Classification

First, we will delve into the methodology for Image Classification.

### 4.1. Problem Formulation

Consider, we have a set of training examples  $V = \{(x_i, y_i)\}, i = 1, 2, \dots, n$ , where  $x$  is an image,  $y \in \{0, 1\}^C$  is the corresponding label vector,  $n$  and  $C$  are the numbers of training images and associated class labels, respectively. The elemental values of 0s and 1s in the label vector  $y$  denote the absence or presence of the corresponding concepts in the image. The objective of multi-label image classification is to learn a model from the training data  $V$ , such that for a given test image  $x$  we can use the learned model to predict its label vector  $y$ . In practice, most parametric models do not directly output a binary vector  $y$ , instead, they predict a score vector  $s = f(x; \theta) \in \mathbb{R}^C$  indicating the confidence of presence for each label.  $y$  can be derived from  $s$  by setting a threshold confidence or the number of positive labels[17].

### 4.2. Base model

Deep convolutional neural networks (CNNs) can effectively implement the model  $f(x; \theta)$  for multi-label image classification,

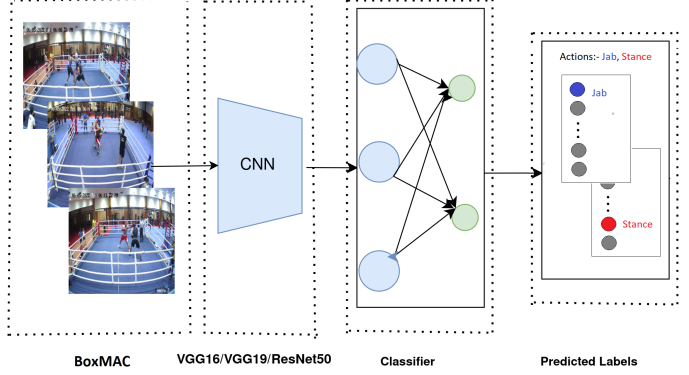


Figure 4. Proposed architecture for multi-action classification.

where  $x$  represents the input image and  $\theta$  denotes the model parameters. In contrast to traditional multi-label classification approaches, deep CNNs integrate both feature extraction and classification tasks within a single framework, facilitating end-to-end learning. Moreover, modern deep CNN models have demonstrated the ability to learn high-level visual representations and to approximate complex learning systems, making them well-suited for tasks requiring sophisticated image analysis and classification.

### 4.3. Model adaptation

In our research, we concentrate on three prevalent deep CNN architectures for multi-label image classification: VGG16, VGG19, and ResNet50. We modify by replacing the final output layer with a fully connected layer containing  $C$  neurons, where  $C$  refers to the number of class labels. Fig. 4 illustrates the proposed architecture for multi-label image classification.

To correctly express the binary cross-entropy loss function for model training, given a training example  $(x_i, Y_i)$  and its predicted score vector  $S_i = f(x_i; \theta)$ , the loss can be computed using the following equation:

$$L(S_i, Y_i) = - \sum_{j=1}^C [Y_{ij} \log(\sigma(S_{ij})) + (1 - Y_{ij}) \log(1 - \sigma(S_{ij}))]$$

Here,  $Y_{ij}$  denotes the  $j$ -th element of the ground truth label vector  $Y_i$ ,  $\sigma(S_{ij})$  represents the predicted probability of the  $j$ -th class obtained using the sigmoid function, and  $C$  is the total number of class labels.

Regarding the Vision Transformer (ViT) [8] Model for multi-label image classification. Previous studies have explored the application of basic deep neural networks in capturing label-based dependencies for multi-label image classification tasks. Initial findings from these studies suggest that leveraging these dependencies can enhance classification accuracy. However, there remains an unexplored area

Dataset	Number of videos	Number of actions	Avg. video length	Environment	Sync
UCF Sports [23, 29]	102	–	12 sec	in- & outdoor	software
KTH Video [15, 25]	25	–	–	outdoor	software
UTD MHAD [6]	–	–	–	outdoor	hardware
BoxMAC (ours)	15	13	4 min	indoor	software

Table 3. Summary statistics of public boxing dataset. Additionally, the term "Sync" refers to whether hardware sensors were used in dataset creation or if it was solely software synchronized. In the context of boxing videos, "Indoor" refers to footage captured inside the boxing ring, while "Outdoor" pertains to scenes filmed outside of the boxing ring. BoxMAC stands out as one of the largest multi-action boxing datasets, distinguished by its extensive coverage of various boxing actions and meticulous annotation.

concerning feature-based dependencies within the images. The attention mechanism within transformer architectures has emerged as a promising alternative and improvement over deep CNN for extracting long-range features. This improvement is facilitated by the transformer’s ability, such as in Vision Transformer (ViT)[8], to perform parallel computing efficiently and utilize shallower layers while enhancing overall performance [27].

The ViT[8] network architecture can be divided into two main components: Positional Patch Embedding and Transformer Encoder. Positional Patch Embedding involves combining a set of flattened 2D patches with a learnable 1D position embedding to establish a sequentially ordered sequence of flat 2D patches in D dimensions. These patches are used to meet the vector size requirements for transformers, while position embedding preserves positional information. The transformer encoder layers comprise multi-head self-attention layers and MLP blocks in an alternating pattern. Layer normalization (LN) is applied after each block, incorporating residual connections to aid in information flow across the network. The encoder part of ViT and the structure of ViT are shown in Fig.5 and Fig.6.

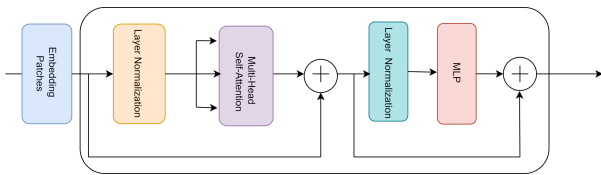


Figure 5. Encoder Part of Transformer.

Now, we will delve into the methodology for Video Classification. With advancements in deep learning, visual features can be extracted from specific layers of neural networks. Numerous efforts have been made to develop deep architectures for video recognition, where the input is a stack of consecutive video frames. These models aim to learn spatio-temporal motion-dependent features implicitly. CNNs are particularly effective, capturing discriminative visual features and higher-level structural patterns.

Recent works have proposed using CNN models for ac-

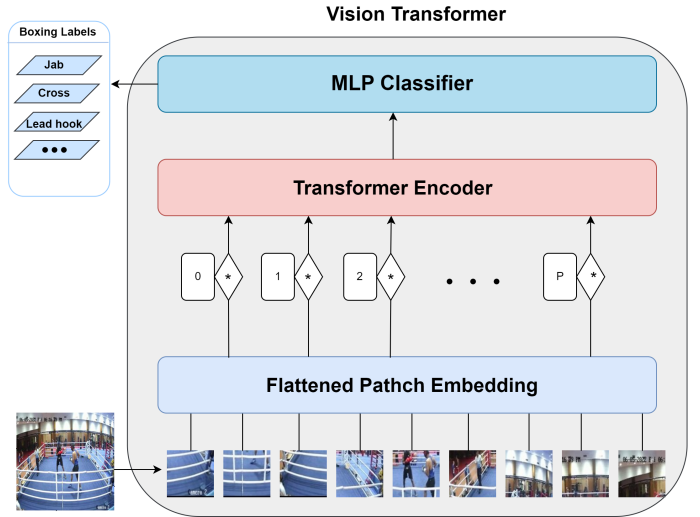


Figure 6. Architecture of Vision Transformer.

tion recognition in videos, emphasizing the learning of deep features. Additionally, the rapid development of RNNs[33] and LSTMs[33] has spurred significant research in image and video captioning through the encoder-decoder framework. Fan et al. generated captions for both individual lifelogging images and image streams to create diaries. Donahue et al. developed a framework combining CNN and LSTM[18] models for action recognition [29]. However, these models sometimes struggle to handle spatiotemporal data effectively.

The major drawback of LSTM[18] in handling spatiotemporal data is its usage of full connections in input-to-state and state-to-state transitions in which no spatial information is encoded. To overcome this problem, we used ConvLSTM[27] for the Video Classification task. Convolutional LSTM (ConvLSTM) [27] is an extension of LSTM[18] networks designed to handle spatio-temporal data. In a ConvLSTM[27], instead of using 1D vectors, all of the inputs  $x_t$ , cell outputs  $c_t$ , hidden states  $h_t$ , and gates  $i_t, f_t, g_t, o_t$  are 3D tensors whose last two dimensions are rows and columns. By doing this, the ConvLSTM[27]

learns spatial features from pictures while simultaneously learning temporal ones. Some changes were introduced to the LSTM[18] equations to create the ConvLSTM:

$$i_t = \sigma(W_i * x_t + U_i * h_{t-1} + V_i \circ c_{t-1} + b_i) \quad (1)$$

$$f_t = \sigma(W_f * x_t + U_f * h_{t-1} + V_f \circ c_{t-1} + b_f) \quad (2)$$

$$g_t = \tanh(W_g * x_t + U_g * h_{t-1} + b_g) \quad (3)$$

$$o_t = \sigma(W_o * x_t + U_o * h_{t-1} + V_o \circ c_{t-1} + b_o) \quad (4)$$

$$c_t = f_t \circ c_{t-1} + i_t \circ g_t \quad (5)$$

$$h_t = o_t \circ \tanh(c_t) \quad (6)$$

where "\*" denotes a convolutional operator and  $V$  is a new set of learnable weights. The rest of the notation is kept from Equation (1). The changes made, therefore, focus on both the dimensionality of the parameters learned and the input. Furthermore, the ConvLSTM [27] takes into account the previous cell state  $c_{t-1}$  to calculate each gate value.

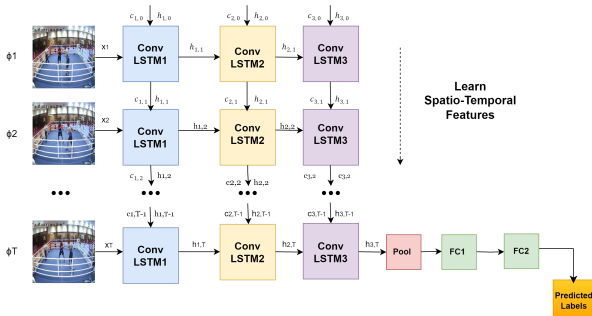


Figure 7. Architecture of ConvLSTM tested in this experiment.

## 5. Experiments

In this section, we outline the experimental configuration and outcomes of our investigation. We commence by introducing the datasets utilized in our experiments and furnishing implementation particulars concerning the training of deep models. Following this, we expound upon the experimental results.

### 5.1. Implementation Details

The BoxMAC dataset underwent partitioning, with 42k images allocated for training and 18k images designated for testing during image classification. The training and testing phases involved distinct image frames from different videos, facilitating diverse experiments in boxing action classification. For the video classification, 1584 video clips were used for the training case and 730 video clips were used for the testing case. The training and testing clips are from distinct videos. We employed four deep models, namely VGG16 [12], VGG19 [28], ResNet50 [9], and ViT [8], for multilabel image classification, and ConvLSTM

[27] for multilabel video classification to conduct our analysis.

All the deep models employed in our experiments are PyTorch implementations. We initialize the model weights using pre-trained weights from ImageNet and suitably fine-tune all layers. The sigmoid function serves as the activation function. For VGG16[12], VGG19[28], ResNet50[9], VGG16 [12] and ConvLSTM [27], we utilize binary cross-entropy loss. Training is done for 110 epochs using the Adam optimizer with a learning rate of 0.0001. We conduct our experiments on a PC with an Intel Xeon CPU, 24 GB RAM, and an NVIDIA GeForce RTX3090 GPU.

## 5.2. Results

We evaluated our framework by analyzing a sequence of images extracted from the BoxMAC dataset, where boxers performed six distinct punches and seven different boxing movements within the boxing ring. During the model-building phase, all images were encoded with their respective labels. After converting the multi-hot labels to string labels, we have shown some output results in Fig. 7.

The accuracies computed over the entire dataset for all five networks are given in Table 4. These results are quite encouraging given that these are real examples and the architectures used are basic in nature.



Figure 8. Results from our method on BoxMAC.



Method	Architecture	Train	Test
Image-based	VGG16 [12]	81.2%	70.4%
	VGG19 [28]	81.8%	71.3%
	ResNet 50 [9]	83.1%	72.1%
	ViT [8]	84.3%	73.9%
Video-based	ConvLSTM [27]	82.7%	71.9%

Table 4. Accuracy of different architectures.

### 5.3. Conclusions

In this paper, we proposed BoxMAC, a multi-action boxing dataset with the highest number of boxing actions. The classification task entailed identifying six main punches executed by a boxer’s hands within punch sequences, complemented by seven additional punches executed through the boxer’s full-body movements. We proposed a few deep network baselines to validate the utility of our dataset. We believe that BoxMAC with its unique and the excellent features can be harnessed effectively by the computer vision community in the coming years.

### References

[1] Said El Ashker. Technical and tactical aspects that differentiate winning and losing performances in boxing. *International journal of performance analysis in sport*, 11(2):356–364, 2011. [2](#)

[2] Neda Boroushak, Hasan Khoshnoodi, and Mostafa Rostami. Investigation of the head’s dynamic response to boxing punch using computer simulation. *Montenegrin Journal of Sports Science & Medicine*, 10(1), 2021. [1](#)

[3] Krzysztof Buško, Zbigniew Staniak, Mirosława Szark-Eckardt, Pantelis Theodoros Nikolaidis, Joanna Mazur-Różycka, Patrycja Łach, Radosław Michalski, Jan Gajewski, and Michał Górski. Measuring the force of punches and kicks among combat sport athletes using a modified punching bag with an embedded accelerometer. *Acta of bioengineering and biomechanics*, 18(1):47–54, 2016. [4](#)

[4] Samir Chadli, Nouredine Ababou, and Amina Ababou. A new instrument for punch analysis in boxing. *Procedia engineering*, 72:411–416, 2014. [4](#)

[5] Benjarat Chantaprasert, Phadermpong Chumchuen, and Somkiat Wangsiripitak. Comparison of gesture in thai boxing framework using angular dynamic time warping. In *2019 16th International Conference on Electrical Engineering/Electronics, Computer, Telecommunications and Information Technology (ECTI-CON)*, pages 601–604. IEEE, 2019. [4](#)

[6] Chen Chen, Roozbeh Jafari, and Nasser Kehtarnavaz. Utdmhad: A multimodal dataset for human action recognition utilizing a depth camera and a wearable inertial sensor. In *2015 IEEE International conference on image processing (ICIP)*, pages 168–172. IEEE, 2015. [2, 6, 7](#)

[7] Daniel Dinu and Julien Louis. Biomechanical analysis of the cross, hook, and uppercut in junior vs. elite boxers: implications for training and talent identification. *Frontiers in sports and active living*, 2:598861, 2020. [4](#)

[8] Alexey Dosovitskiy, Lucas Beyer, Alexander Kolesnikov, Dirk Weissenborn, Xiaohua Zhai, Thomas Unterthiner, Mostafa Dehghani, Matthias Minderer, Georg Heigold, Sylvain Gelly, et al. An image is worth 16x16 words: Transformers for image recognition at scale. *arXiv preprint arXiv:2010.11929*, 2020. [2, 6, 7, 8, 9](#)

[9] Kaiming He, Xiangyu Zhang, Shaoqing Ren, and Jian Sun. Deep residual learning for image recognition. In *Proceedings of the IEEE conference on computer vision and pattern recognition*, pages 770–778, 2016. [2, 8, 9](#)

[10] Brindha Jayakumar and Nallavan Govindarajan. Multi-sensor fusion based optimized deep convolutional neural network for boxing punch activity recognition. *Proceedings of the Institution of Mechanical Engineers, Part P: Journal of Sports Engineering and Technology*, page 17543371241237085, 2024. [1](#)

[11] Andrew Jovanovski and Brad Stappenbelt. Measuring the boxing punch: development and calibration of a non-embedded in-glove piezo-resistive sensor. In *Proceedings*, page 13. MDPI, 2020. [4](#)

[12] Simonyan Karen. Very deep convolutional networks for large-scale image recognition. *arXiv preprint arXiv:1409.1556*, 2014. [2, 4, 8, 9](#)

[13] Soudeh Kasiri-Bidhendi, Clinton Fookes, Stuart Morgan, David T Martin, and Sridha Sridharan. Combat sports analytics: Boxing punch classification using overhead depthimager. In *2015 IEEE International Conference on Image Processing (ICIP)*, pages 4545–4549. IEEE, 2015. [2](#)

[14] Dennis Kimm and David V Thiel. Hand speed measurements in boxing. *Procedia Engineering*, 112:502–506, 2015. [4](#)

[15] Ivan Laptev and Tony Lindeberg. Local descriptors for spatio-temporal recognition. In *International Workshop on Spatial Coherence for Visual Motion Analysis*, pages 91–103. Springer, 2004. [2, 3, 6, 7](#)

[16] Haojie Li, Jinhui Tang, Si Wu, Yongdong Zhang, and Shouxun Lin. Automatic detection and analysis of player action in moving background sports video sequences. *IEEE transactions on circuits and systems for video technology*, 20(3):351–364, 2009. [1](#)

[17] Yuncheng Li, Yale Song, and Jiebo Luo. Improving pairwise ranking for multi-label image classification. In *Proceedings of the IEEE conference on computer vision and pattern recognition*, pages 3617–3625, 2017. [6](#)

[18] An-An Liu, Zhuang Shao, Yongkang Wong, Junnan Li, Yuting Su, and Mohan Kankanhalli. Lstm-based multi-label video event detection. *Multimedia Tools and Applications*, 78:677–695, 2019. [7, 8](#)

[19] Rodrigo Merlo, Ángel Rodríguez-Chávez, Pedro E Gómez-Castañeda, Andrés Rojas-Jaramillo, Jorge L Petro, Richard B Kreider, and Diego A Bonilla. Profiling the physical performance of young boxers with unsupervised machine learning: A cross-sectional study. *Sports*, 11(7):131, 2023. [1](#)

- [20] Manabu Morita, Kajiro Watanabe, Kazuyuki Kobayashi, and Yousuke Kurihara. Boxing punch analysis using 3d gyro sensor. In *SICE Annual Conference 2011*, pages 1125–1127. IEEE, 2011. [1](#)
- [21] Victor Xavier Navas, Jonathan Destefano, Bon Jae Koo, Eric Doty, and David Westerfeld. Smart glove. In *2012 IEEE Long Island Systems, Applications and Technology Conference (LISAT)*, pages 1–4. IEEE, 2012. [1](#)
- [22] Ahmed Hassan Rakha. Reflections on augmented reality codes for teaching fundamental defensive techniques to boxing beginners. *Plos one*, 19(4):e0301728, 2024. [1](#)
- [23] Mikel D Rodriguez, Javed Ahmed, and Mubarak Shah. Action mach a spatio-temporal maximum average correlation height filter for action recognition. In *2008 IEEE conference on computer vision and pattern recognition*, pages 1–8. IEEE, 2008. [2](#), [6](#), [7](#)
- [24] Olga Russakovsky, Jia Deng, Hao Su, Jonathan Krause, Sanjeev Satheesh, Sean Ma, Zhiheng Huang, Andrej Karpathy, Aditya Khosla, Michael Bernstein, et al. Imagenet large scale visual recognition challenge. *International journal of computer vision*, 115:211–252, 2015. [3](#)
- [25] Christian Schuldt, Ivan Laptev, and Barbara Caputo. Recognizing human actions: a local svm approach. In *Proceedings of the 17th International Conference on Pattern Recognition, 2004. ICPR 2004.*, pages 32–36. IEEE, 2004. [2](#), [3](#), [6](#), [7](#)
- [26] Jonathan B Shepherd, David V Thiel, and Hugo G Espinosa. Evaluating the use of inertial-magnetic sensors to assess fatigue in boxing during intensive training. *IEEE sensors letters*, 1(2):1–4, 2017. [4](#)
- [27] Xingjian Shi, Zhourong Chen, Hao Wang, Dit-Yan Yeung, Wai-Kin Wong, and Wang-chun Woo. Convolutional lstm network: A machine learning approach for precipitation nowcasting. *Advances in neural information processing systems*, 28, 2015. [2](#), [7](#), [8](#), [9](#)
- [28] Karen Simonyan and Andrew Zisserman. Very deep convolutional networks for large-scale image recognition. *arXiv preprint arXiv:1409.1556*, 2014. [2](#), [8](#), [9](#)
- [29] Khurram Soomro and Amir R Zamir. Action recognition in realistic sports videos. In *Computer vision in sports*, pages 181–208. Springer, 2015. [2](#), [6](#), [7](#)
- [30] Piotr Stefański, Jan Kozak, and Tomasz Jach. The problem of detecting boxers in the boxing ring. In *Asian Conference on Intelligent Information and Database Systems*, pages 592–603. Springer, 2022. [1](#)
- [31] Javier Vales-Alonso, Francisco Javier González-Castaño, Pablo López-Matencio, and Felipe Gil-Castiñeira. A non-supervised learning approach for automatic characterization of short-distance boxing training. *IEEE Transactions on Systems, Man, and Cybernetics: Systems*, 2023. [2](#)
- [32] Tobias Wagner, Jonas Jäger, Viviane Wolff, and Klaus Fricke-Neuderth. A machine learning driven approach for multivariate timeseries classification of box punches using smartwatch accelerometer sensor data. In *2019 Innovations in Intelligent Systems and Applications Conference (ASYU)*, pages 1–6. IEEE, 2019. [4](#)
- [33] Jiang Wang, Yi Yang, Junhua Mao, Zhiheng Huang, Chang Huang, and Wei Xu. Cnn-rnn: A unified framework for multi-label image classification. In *Proceedings of the IEEE conference on computer vision and pattern recognition*, pages 2285–2294, 2016. [7](#)
- [34] Qian Wang, Ning Jia, and Toby P Breckon. A baseline for multi-label image classification using an ensemble of deep convolutional neural networks. In *2019 IEEE International Conference on Image Processing (ICIP)*, pages 644–648. IEEE, 2019. [3](#)
- [35] Norrarat Wattanamongkhol, Pinit Kumhom, and Kosin Chamnongthai. A method of glove tracking for amateur boxing refereeing. In *IEEE International Symposium on Communications and Information Technology, 2005. ISCIT 2005.*, pages 6–9. IEEE, 2005. [1](#), [2](#)
- [36] Matthew TO Worsey, Hugo G Espinosa, Jonathan B Shepherd, and David V Thiel. An evaluation of wearable inertial sensor configuration and supervised machine learning models for automatic punch classification in boxing. *IoT*, 1(2): 360–381, 2020. [4](#)
- [37] Guangyu Zhu, Changsheng Xu, Qingming Huang, Yong Rui, Shuqiang Jiang, Wen Gao, and Hongxun Yao. Event tactic analysis based on broadcast sports video. *IEEE Transactions on Multimedia*, 11(1):49–67, 2008. [1](#)