

EF1 Allocations for Identical Trilean and Separable Single-Peaked Valuations

Umang Bhaskar ✉

Tata Institute of Fundamental Research, India

Gunjan Kumar ✉

Indian Institute of Technology Kanpur, India

Yeshwant Pandit ✉

Tata Institute of Fundamental Research, India

Rakshitha ✉

Indian Institute of Technology Delhi, India

Abstract

In the fair division of items among interested agents, envy-freeness is possibly the most favoured and widely studied formalisation of fairness. For indivisible items, envy-free allocations may not exist in trivial cases, and hence research and practice focus on relaxations, particularly envy-freeness up to one item (EF1), which allows the removal of an item to resolve envy. A significant reason for the popularity of EF1 allocations is its simple fact of existence, which supports research into combining EF1 with other properties such as efficiency, or research into stronger properties such as ex-ante envy-freeness. It is known that EF1 allocations exist for two agents with arbitrary valuations; agents with doubly-monotone valuations; agents with Boolean valuations; and identical agents with negative Boolean valuations. In fact the last two results were shown for the more stringent EFX fairness requirement.

We consider two new but natural classes of valuations, and partly extend results on the existence of EF1 allocations to these valuations. Firstly, we consider trilean valuations — an extension of Boolean valuations — when the value of any subset is 0, a , or b for any integers a and b . Secondly, we define separable single-peaked valuations, when the set of items is partitioned into types. For each type, an agent's value is a single-peaked function of the number of items of the type. The value for a set of items is the sum of values for the different types. We prove EF1 existence for identical trilean valuations for any number of agents, and for separable single-peaked valuations for three agents. For both classes of valuations, we also show that EFX allocations do not exist.

2012 ACM Subject Classification Theory of computation → Algorithmic game theory; Theory of computation → Design and analysis of algorithms

Keywords and phrases Fair Division, EF1, Chores, Approximate Envy-Freeness, Trilean, Separable Single-Peaked

Acknowledgements The first and third author acknowledge support from the Department of Atomic Energy, Government of India, under project no. RTI4001. Part of the work was done when the second author was at NUS, and fourth author was visiting TIFR.

1 Introduction

Fair division refers to the fundamental problem of allocating a set of items — called manna — *fairly* among a set of agents. The items to be allocated could be as diverse as seats in courses in a university, items in a contested inheritance or divorce proceedings, carbon credits among nations, chores among members of a household, cab fare for a shared ride, household rent among roommates, etc. These problems are frequent and universal and have naturally attracted a lot of attention from researchers in various fields.

Given the widespread applications, a number of different formalisations of what it means to be fair have naturally been proposed. A popular and possibly predominant formalisation

is *envy-freeness*, which informally requires that each agent prefers her own allocated manna over the allocation to any other agent. When items are indivisible and have to be wholly allocated to a single agent, envy-free allocations may not exist, and hence relaxations are studied. The most prevalent relaxation is *envy-freeness upto one item (EF1)*, which allows envy among agents as long as this envy is eliminated by removing a single item [13, 25]. Envy-free allocations are a focus of theoretical research and also implemented in practical tools, e.g., spliddit.org [22, 34], and fairoutcomes.com [35].

In fair division, given a set M of items to be allocated among n agents, we assume that each agent i has a valuation function $v_i : 2^M \rightarrow \mathbb{Z}$ that specifies a value for each subset of items. An allocation $A = (A_1, \dots, A_n)$ is a partition of M where agent i gets the set A_i . An allocation is EF1 if, whenever $v_i(A_i) < v_i(A_j)$, there is an item $x \in A_i \cup A_j$ so that $v_i(A_i \setminus \{x\}) \geq v_i(A_j \setminus \{x\})$, i.e., on removing item x , agent i weakly prefers her own allocation to j 's allocation.

For a formalisation such as EF1 to be practically relevant, a basic criterion is existence. If a notion of fairness is not easily satisfied, or does not exist in many instances, its practical use is limited. EF1 satisfies this criteria in very broad classes of valuations. Further, the robustness of EF1, as well as algorithms for obtaining such allocations, have encouraged research into broader objectives. For example, researchers have studied allocations that are EF1 satisfying other properties such as Pareto efficiency [9, 7, 20], strategy-proofness [3, 4]), and ex-ante envy-freeness [5, 18]).

Initial results established the existence of EF1 allocations for monotone valuations of the agents [25]. A different algorithm is known for nonmonotone but additive valuations when each agent has a positive or negative value for each item and values a subset at the sum of the individual item values [6, 7]. These were extended to the large class of doubly monotone valuations, where each agent partitions the items into goods and chores; the goods always have nonnegative marginal value for the agent, while chores always have nonpositive marginal values [12]. While this is a broad class, one particular property not captured by doubly monotone valuations is when “too much of a good thing is bad.” Doubly monotone valuations require an agent’s good to always be a good, no matter what other items the agent is allocated. But this is often not the case. An hour or two of housework may be enjoyable, but more may turn this into a chore. Conversely, the initial hours spent learning a new skill are tedious, but sustained hours of practice may lead to expertise and enjoyment. A balanced diet requires precise ranges of nutrients, and both more and less may be harmful. Moulin also provides an example of such valuations [28].

One would ideally like to establish EF1 existence for arbitrary valuations. A possible approach to this goal is to consider discretized valuations, i.e., to restrict the range of possible values for any bundle to a smaller set, and obtain results on the existence of EF1. In this direction, prior work shows that EF1 allocations exist if (a) all agents have values that are in $\{0, 1\}$ for all sets, or (b) agents are identical, and have values in $\{0, -1\}$ for all sets [14].¹

In this paper, we extend these results on the existence of EF1 allocations in two directions.

Firstly, we show that EF1 always exists for identical *trilean* valuations — when agents are identical, and the value for each set of items is 0, a , or b for any integers a, b . Our work builds on prior work on Boolean $\{0, 1\}$ and $\{0, -1\}$ valuations. This suggests that considering discretized valuations may be a fruitful approach to prove the existence of EF1 for arbitrary (though identical) valuations. Along the way, we extend prior work to show that EF1 allocations also exist for non-identical $\{0, -1\}$ -valuations.

¹ More specifically, existence is shown for the more restricted class of EFX allocations.

While theoretically, trilean valuations are a stepping stone to arbitrary nonmonotone valuations, practically these are also an intuitive way to convey approval or disapproval of a set of items. Approval can be interpreted as value $+1$ for the set, disapproval as value -1 , and no feedback as value 0 .

The restriction to identical valuations is limiting. However identical valuations are often a basic tool in developing algorithms for nonidentical valuations. E.g., the existence of EFX allocations for 2 agents follows immediately from the existence for identical valuations [31]. The simplified algorithm for EFX for 3 agents starts off with an EFX allocation for identical agents [1]. There are numerous such examples.

Secondly, we introduce a new class of valuations that we call *separable single-peaked* (SSP) valuations. For SSP valuations, the set of items are partitioned into t types. For each type of item j , each agent has a threshold θ_{ij} . Agent i 's valuation for type j is single-peaked with peak θ_{ij} : it monotonically increases with the number of items up to θ_{ij} , and monotonically decreases after that. The valuation is additive across items of different types. Thus, these are a relaxation of separable piece-wise linear concave valuations, widely studied in fair division and market equilibria (e.g., [16, 19]). For SSP valuations, we show two results: we show that EF1 allocations exist either when agents have the same threshold for a type, and when agents have different thresholds, but there are three agents. Finally, we give a tight example to show that EFX allocations do not exist for the valuations studied, even for two identical agents and three items.

One of our goals in studying these valuation classes is to go beyond doubly monotone valuations. This is uncharted territory — we know of no other properties (other than EF1) that hold in such general valuation classes, and hence there have been few attempts to define structured classes beyond doubly monotone.² We think the study of structured nonmonotone valuations should be of interest in its own right.

2 Related Work

Fair division has traditionally focused on allocating divisible resources, also known as cake-cutting. A survey on computational results for cake-cutting is presented by Procaccia [32]. For non-monotone valuations (sometimes called “burnt cake”), results are known only when the number of agents is either 4 or a prime number [33, 26].

For indivisible manna, for monotone non-decreasing valuations — when all items are goods — the existence of EF1 allocations was given by Lipton et al. [25]. For additive non-monotone utilities a double round-robin algorithm for EF1 allocations is known [7, 6]. These results were extended to doubly monotone valuations [12] by suitably modifying the envy-cycle elimination algorithm of Lipton et al.

EF1 allocations always exist for two agents, with completely general valuations [14]. Further, EFX allocations — a stricter fairness condition, that requires that if i envies j , this envy be resolved by removing any good from agent j , and any chore from agent i — exist (a) for Boolean valuations, i.e., $v_i(S) \in \{0, 1\}$ for any agent i and set S of items, and (b) for identical and negative Boolean valuations, i.e., $v_i(S) = v(S) \in \{0, -1\}$ for all i, S . An EFX allocation is also an EF1 allocation. We note that these existence results are through a variety of different techniques — envy-cycle elimination, round-robin, sequential allocation of minimal subsets, local search, etc. It remains open if an EF1 allocation exists for arbitrary valuations, even, e.g., for the case of 3 identical agents.

² A notable exception is the class of nonmonotone submodular valuations, of which SSP is a subclass.

EF1 is also considered alongside Pareto-optimality (PO), where an allocation is PO if no allocation gives at least as much utility to every agent and strictly higher utility to at least one agent. It is known that an EF1 and PO allocation always exists for additive goods and can be computed in pseudopolynomial time [15, 9, 29]. For additive chores and mixed items, partial results are known [7, 20, 24]. Researchers have also studied the existence of the stricter EFX allocations with monotone additive valuations. These are known to exist if all agents are identical [30, 31], have matroid rank valuations [8], or if there are three agents [1, 17]. The case of four or more agents has partial results [11, 21].

Besides envy-freeness, numerous other fairness notions are also studied in the literature, including proportionality, equitability, and maximin share. Amanatidis et al. [2] and Mishra, Padala, and Gujar [27] present surveys on recent developments on these.

3 Preliminaries

Problem instance

An *instance* $\langle N, M, V \rangle$ of the fair division problem is defined by a set N of $n \in \mathbb{N}$ *agents*, a set M of $m \in \mathbb{N}$ *indivisible items*, and a *valuation profile* $V = \{v_1, v_2, \dots, v_n\}$ that specifies the preferences of every agent $i \in N$ over each subset of the items in M via a *valuation function* $v_i : 2^M \rightarrow \mathbb{R}$. Agents are identical if $v_i(S) = v(S)$ for all agents $i \in N$ and all subsets $S \subseteq M$.

Allocation

An *allocation* $A := (A_1, \dots, A_n)$ is an n -partition of a subset of the set of items M , where $A_i \subseteq M$ is the *bundle* allocated to the agent i (note that A_i can be empty). An allocation is said to be *complete* if it assigns all items in M , and is called *partial* otherwise.

Envy-Freeness and its Relaxations

An allocation is *envy-free* if for all agents i, j , $v_i(A_i) \geq v_i(A_j)$, i.e., each agent prefers their own bundle to that of any other agent's. An allocation is *envy-free upto one item* (EF1) if, whenever $v_i(A_i) < v_i(A_j)$, there is some item $x \in A_i \cup A_j$ so that $v_i(A_i \setminus \{x\}) \geq v_i(A_j \setminus \{x\})$. Given an allocation A , we say a subset N' of agents is *mutually EF1* if the EF1 condition holds for every pair of agents in N' . We introduce additional notation specific to the valuations we study in the relevant sections.

Trilean and Boolean Valuations

For a fair division instance, valuations are trilean if for some $a, b \in \mathbb{Z}$, for every agent $i \in N$ and $S \subseteq M$, $v_i(S) \in \{0, a, b\}$. Valuations are Boolean $\{0, 1\}$ -valued if for every agent i and subset S of items, $v_i(S) \in \{0, 1\}$. Similarly, valuations are Boolean $\{0, -1\}$ -valued if for every agent i and subset S of items, $v_i(S) \in \{0, -1\}$.

Separable Single Peaked Valuations

We first define θ_{ij} for $i \in N$ and $j \in [t]$ as the threshold of agent i for items of type j . Then agent i 's valuation $v_i(A_i) = \sum_{j=1}^t v_{ij}(a_{ij})$, where the valuations v_{ij} are single-peaked: for all $x \leq y \leq \theta_{ij}$, $v_{ij}(x) \leq v_{ij}(y)$, while for $\theta_{ij} \leq x \leq y$, $v_{ij}(x) \geq v_{ij}(y)$.

Envy graph

The *envy graph* G_A of an allocation A is a directed graph on the vertex set N with a directed edge from agent i to agent k if $v_i(A_k) > v_i(A_i)$, i.e., if agent i prefers the bundle A_k over the bundle A_i .

Top-trading envy graph

The *top-trading envy graph* T_A of an allocation A is a subgraph of its envy graph G_A with a directed edge from agent i to agent k if $v_i(A_k) = \max_{j \in N} v_i(A_j)$ and $v_i(A_k) > v_i(A_i)$, i.e., if agent i envies agent k and A_k is the most preferred bundle for agent i .

Cycle-swapped allocation

Given an allocation A and a directed cycle C in an envy graph or a top-trading envy graph, the *cycle-swapped allocation* A^C is obtained by reallocating bundles backwards along the cycle. For each agent i in the cycle, define i^+ as the agent that she is pointing to in C . Then, $A_i^C = A_{i^+}$ if $i \in C$, otherwise $A_i^C = A_i$.

4 EF1 Allocations for Trilean Valuations

To show EF1 exists for identical trilean valuations, we claim that it is sufficient to prove existence for two cases: $a = 1, b = 2$, and $a = -1, b = 1$. Since for envy-freeness we only compare relative values of bundles, this is immediate if either a or b is nonnegative (and in this case holds for non-identical trilean valuations). In the appendix, we prove this also holds if a and b are both negative.

► **Proposition 1.** *Suppose an EF1 allocation exists in all instances (N, M, \mathcal{V}) with identical agents, where either $v(S) \in \{0, 1, -1\}$ for all $S \subseteq M$, or $v(S) \in \{0, 1, 2\}$. Then an EF1 allocation exists in all instances with identical agents where $v(S) \in \{0, a, b\}$ for any integers a, b .*

Our proof for trilean valuations will thus focus on these two cases, called negative trilean if values are in $\{0, -1, 1\}$, and positive trilean if values are in $\{0, 1, 2\}$.

Since EF1 studies values of sets upon removal of items, we introduce some notation for this. For a set of items S , any immediate subset ($S' \subset S$ s.t. $|S'| = |S| - 1$) is called a *child* of S .

► **Definition 2.** *For an agent i and a subset S of items, and $a, b \in \mathbb{Z}$,*

- *We use $v_i(S) = a \rightarrow b$ to denote that $v_i(S) = a$, and for some item $x \in S$, $v_i(S \setminus \{x\}) = b$.*
- *We use $v_i(S) = a \Rightarrow b$ to denote that $v_i(S) = a$, and for every $x \in S$, $v_i(S \setminus \{x\}) = b$.*
- *For $B \subset \mathbb{Z}$, we use $v_i(S) = a \Rightarrow B$ to denote that $v_i(S) = a$, and for every $x \in S$, $v_i(S \setminus \{x\}) \in B$.*

For example, $v_i(S) = 0 \rightarrow 1$ denotes that $v_i(S) = 0$, and $\exists x \in S$ for which $v_i(S \setminus \{x\}) = 1$. The notation $v_i(S) = -1 \Rightarrow \{-1, 0\}$ denotes that $v_i(S) = -1$, and on removal of any $x \in S$, $v_i(S \setminus \{x\})$ is either -1 or 0 .

A note on trilean valuations

In our work, we use *trilean* for instances where any set of items has one of three values.³ The term is a natural extension to the term Boolean (see, e.g., [36]), which is used in prior work for instances where any set of items has one of two values [14]. It is important to distinguish the valuations we study from the case where any *item* has 0 or 1 *marginal* value (and thus a set of items can take any value between 0 and m). Various other terms have also been used for this case, including dichotomous [8], binary [23, 10] and bivalued instances [20]. Given that there is a lack of consistent notation, and that we are the first to propose and study such valuations, we believe the use of trilean as an extension of Boolean to denote the valuations we study is a reasonable choice.

4.1 Boolean Valuations

As noted, Bérczi et al. show that for Boolean $\{0, 1\}$ valuations, there exists an EFX allocation, and give an algorithm for this [14]. They also give an algorithm for obtaining an EFX allocation for *identical* Boolean $\{0, -1\}$ valuations. Since EFX is a stronger requirement than EF1, these algorithms give EF1 allocations for the respective cases. This however leaves open the existence of EF1 allocations for nonidentical Boolean $\{0, -1\}$ valuations.⁴ We now give such an algorithm, called NegBooleanEF1. Our algorithm is similar to the algorithm for Boolean $\{0, 1\}$ valuations, with suitable modifications for negative valuations. We use certain properties of the allocation produced by this algorithm later, in our result for trilean valuations (Proposition 6).

For a brief intuition for our algorithm, it can be checked that the only scenario when an allocation is not EF1 is if we have two agents i and j such that $v_i(A_i) = -1 \Rightarrow -1$, and $A_j = \emptyset$ or $v_i(A_j) = 0 \Rightarrow 0$. Then, agent i envies agent j , but the envy is not eliminated by the removal of any item.

To avoid this, from the set M' of unallocated items, Algorithm NegBooleanEF1 repeatedly chooses an inclusionwise minimal set S for which all unallocated agents have value -1 . This set S is assigned to an agent i so that $v_i(S) = -1 \rightarrow 0$. Since S is minimal, such an agent must exist. The main property is that this agent cannot be part of an EF1 violation: no later agent envies agent i , since all unallocated agents have value -1 for set S . Also any envy agent i has can be eliminated by removing an item x such that $v_i(S \setminus \{x\}) = 0$. If there are no more such minimal sets, then for some agent i , $v_i(M') = 0$. We assign M' to agent i and complete the allocation.

► **Theorem 3.** *Given a fair division instance with negative Boolean valuations, Algorithm NegBooleanEF1 returns an EF1 allocation in polynomial time.*

Proof. We reindex the agents so they are allocated in increasing order. For any agent i allocated in the while loop, $v_j(A_i) = -1$ for all $j \geq i$, hence no agent after i envies agent i . Further, i is chosen so that for some $x \in A_i$, $v_i(A_i \setminus \{x\}) = 0$. Hence if agent i envies another agent, this can be resolved by removing x . It follows that there is no EF1 violation involving an agent allocated in the while loop.

³ The term trilean was suggested by attendees of Dagstuhl seminar 24401.

⁴ For identical valuations, there is a reduction from finding an EF1 allocation in Boolean $\{0, -1\}$ valuations to finding one in Boolean $\{0, 1\}$ valuations — replace each -1 value with $+1$, and find an EF1 allocation A in the resulting $\{0, 1\}$ -valued instance. Then A is an EF1 allocation in the original $\{0, -1\}$ -valued instance as well. This reduction, however, does not work for *nonidentical* valuations.

Algorithm 1 NegBooleanEF1

Input: Fair division instance (N, M, \mathcal{V}) with Boolean $\{0, -1\}$ valuations.

Output: An EF1 allocation A .

- 1: Initialise $A = (\emptyset, \dots, \emptyset)$, $M' = M$, $N' = N$.
- 2: **while** $(M' \neq \emptyset)$ AND $(|N'| \geq 2)$ AND $(\forall i \in N', v_i(M') = -1)$ **do**
- 3: Let $S \subseteq M'$ be an inclusion-wise minimal set so that $v_i(S) = -1 \forall i \in N'$ ► For all $x \in S$, $v_i(S \setminus \{x\}) = 0$ for some $i \in N'$.
- 4: Pick $i \in N'$ so that $v_i(S) = -1 \rightarrow 0$. ► Since S is minimal, agent i exists.
- 5: Assign $A_i = S$, $N' = N' \setminus \{i\}$, $M' = M' \setminus S$.
- 6: **if** $(M' \neq \emptyset)$ AND $(|N'| \geq 2)$ **then** ► There exists $i \in N'$ s.t. $v_i(M') = 0$.
- 7: Choose $i \in N'$ so that $v_i(M') = 0$. Let $A_i = M'$.
- 8: **else** ► Either $M' = \emptyset$ or $|N'| = 1$.
- 9: Choose $i \in N'$, let $A_i = M'$.
- 10: **return** allocation A .

For the remainder of the algorithm, note that if Line 7 executes, then all the remaining agents have value 0 for their bundles. Hence these agents are mutually EF1, and the allocation must then be EF1. If Line 9 executes, then either $M' = \emptyset$, in which case the allocation is unchanged, or all of the agents $1, \dots, n-1$ have been allocated in the while loop, and agent n is allocated an arbitrary set. But the allocation remains EF1, since as stated, no EF1 violation can involve agents $1, \dots, n-1$. It is not hard to verify that the algorithm makes a polynomial number of queries. ◀

4.2 Negative Trilean Valuations

In this section, we establish the existence of EF1 allocations when agents are identical and their valuations are negative trilean. We prove the following theorem in the remainder of this section.

► **Theorem 4.** *Every instance with identical negative trilean valuations has an EF1 allocation.*

Before we give a brief description of how we achieve this, let us define a few terms. At any point in our algorithm, each agent will belong to one or more sets, depending on the bundle allocated to the agent. This classification forms the basis of our algorithm and the analysis, as it clarifies when EF1 violations occur. The conditions on EF1 violations are shown in Lemma 5.

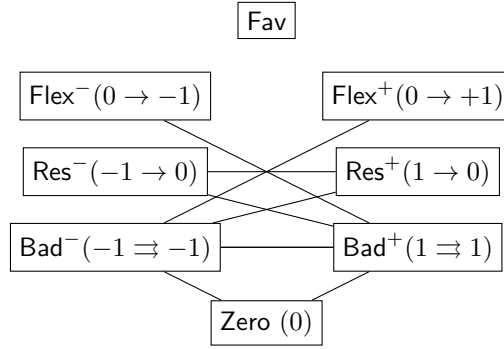
1. Unallocated: $U = \{i : A_i = \emptyset\}$.
2. Zero: $Zero = \{i : v(A_i) = 0\}$.
3. Favourable: $Fav = \{i : v(A_i) = 1 \rightarrow -1 \text{ or } v(A_i) = -1 \rightarrow 1\}$.
4. Flexible: $Flex^+ = \{i : v(A_i) = 0 \rightarrow 1\}$, and $Flex^- = \{i : v(A_i) = 0 \rightarrow -1\}$.
5. Resolved: $Res^+ = \{i : v(A_i) = 1 \rightarrow 0\}$, and $Res^- = \{i : v(A_i) = -1 \rightarrow 0\}$.
6. Bad: $Bad^+ = \{i : v(A_i) = 1 \rightarrow 1\}$, and $Bad^- = \{i : v(A_i) = -1 \rightarrow -1\}$

Note that the above sets are not mutually exclusive (e.g., an agent could be in both $Flex^-$ and $Flex^+$, and an agent in U is also in $Zero$), but are exhaustive, i.e., for any allocation A and identical trilean valuations for the agents, each agent i falls in one or more of the above sets. We will not explicitly move agents in and out of these sets. Rather, agents will acquire or lose membership depending on the bundle allocated to them.

We use these terms to describe the respective sets as well. Thus a set of items S is:

1. Zero-valued if $v(S) = 0$.
2. Favourable if $v(S) = 1 \rightarrow -1$ or $v(S) = -1 \rightarrow 1$.
3. Flexible if $v(S) = 0 \rightarrow 1$ or $v(S) = 0 \rightarrow -1$.
4. Resolved if $v(S) = 1 \rightarrow 0$ or $v(S) = -1 \rightarrow 0$.
5. Bad if $v(S) = 1 \rightrightarrows 1$ or $v(S) = -1 \rightrightarrows -1$.

Apart from the set **Fav**, agents in the same set have the same value for their bundles, and hence do not envy each other. Given an allocation A and a pair i, j of agents, we now use these sets to give necessary conditions for the violation of EF1.



■ **Figure 1** The edges depict possible EF1 violations between different sets of agents.

► **Lemma 5.** *Given agents with identical negative trilean valuations and an allocation A , agents i, j are NOT mutually EF1 only if:⁵*

1. $i \in \text{Bad}^+$, and $j \in \text{Zero} \cup \text{Flex}^- \cup \text{Res}^- \cup \text{Bad}^-$, or
2. $i \in \text{Bad}^-$, and $j \in \text{Zero} \cup \text{Flex}^+ \cup \text{Res}^+ \cup \text{Bad}^+$, or
3. $i \in \text{Res}^+$ and $j \in \text{Res}^-$.

In particular, note that agents in **Fav** are mutually EF1 with every other agent, regardless of the other agent's bundle. The lemma is depicted in Figure 1, with edges between various sets showing possible EF1 violations.

At a very high level, our algorithm proceeds by first allocating *favourable* sets until there are no more, then by allocating *flexible* sets until the remaining set of items is either zero-valued or Boolean-valued ($\{0, 1\}$ or $\{0, -1\}$). If the remaining set is zero-valued, we assign it and return the resulting allocation. By Lemma 5 this is EF1. If the remaining set is Boolean-valued, then we use the previous algorithms for Boolean values to allocate *resolved* and *zero* sets. Eventually, we will be left with possibly a single *bad* set. The resolved sets and the bad set assigned will be of the same sign (either Res^+ and Bad^+ , or Res^- and Bad^-). It follows from Lemma 5 that the only possible EF1 violations will be between the flexible sets and the single bad set, which we will then fix in Algorithm `FixEF1ViolationsNeg`.

We now describe our algorithm in more detail. We first allocate any favourable sets ($v(S) = 1 \rightarrow -1$ or $-1 \rightarrow 1$) to the first $n - 1$ agents, as long as there are any favourable sets. If there are items remaining but no more favourable sets, and not all agents in $[n - 1]$ are allocated, let M' be the set of items remaining. If $v(M') = 0$ (or $M' = \emptyset$), we assign M'

⁵ Note that $\text{U} \subseteq \text{Zero}$.

to the next agent and return the resulting allocation. Else, we next try and find *maximal* flexible sets. That is, if $v(M') = 1$, we look for a maximal set S such that $v(S) = 0 \rightarrow -1$, and if $v(M') = -1$, we look for a maximal set S such that $v(S) = 0 \rightarrow 1$. If M' is trilean, such a set S must exist: since there are no favourable sets, if M' and $S \subset M'$ have opposite signs, there must exist a set T so that $S \subset T \subset M'$ and $v(T) = 0$.

If after allocating any flexible sets to agents in $[n - 1]$, at least two agents remain and $v(M') = 0$, assign M' to the next agent and return the resulting allocation, which is EF1. If $v(M') \neq 0$ then M' is either Boolean $\{0, 1\}$ -valued or Boolean $\{0, -1\}$ -valued. We then call the respective algorithms for obtaining EF1 allocations for these respective cases. This completes the allocation, though there may be EF1 violations. We then call Algorithm FixEF1ViolationsNeg to fix any violations.

The remaining case is that all agents in $[n - 1]$ have been allocated either favourable or flexible sets. In this case, we allocate the remaining items to agent n , and call Algorithm FixEF1ViolationsNeg to fix any EF1 violations.

We will use the algorithms for obtaining EF1 allocations for Boolean $\{0, 1\}$ and $\{0, -1\}$ valuations as subroutines. The next two propositions state some properties of the allocations returned by these algorithms. For Boolean $\{0, 1\}$ -valuations, we use Algorithm 2 from Bèrczi et al. [14], which we will call Algorithm BooleanEF1. For Boolean $\{0, -1\}$ -valuations, we use Algorithm NegBooleanEF1.

► **Proposition 6.** *For identical $\{0, -1\}$ -valuations, the allocation returned by the Algorithm NegBooleanEF1 satisfies one or both of the following conditions.*

1. *Each agent is in Res^- or Zero.*
2. *The first $n - 1$ agents are in Res^- .*

► **Proposition 7.** *For identical $\{0, 1\}$ -valuations, the allocation returned by Algorithm BooleanEF1 satisfies one or both of the following conditions:*

1. *Each agent is in Res^+ or Zero.*
2. *The first $n - 1$ agents are in Res^+ .*

Algorithm TrileanNegEF1 terminates in one of five places — Lines 13, 15, 17, 20, and 23. The next claim shows that if the algorithm terminates in Line 13 or Line 15, the allocation returned is EF1.

► **Claim 8.** *If Algorithm TrileanNegEF1 terminates in Line 13 or Line 15, the allocation returned is EF1.*

Proof. Note that prior to Lines 13 and 15, any agents with non-empty bundles were assigned either favourable sets or flexible sets in the preceding while loops. In the execution of Lines 13 or 15, every remaining agent is either unassigned or assigned a zero-valued bundle. From Lemma 5, there is no EF1 violation between favourable, flexible, and zero-valued agents. Hence the resulting allocation is EF1. ◀

If Line 17 executes, then before FixEF1ViolationsNeg(A) is called, agents $1, \dots, n - 1$ are assigned either favourable or flexible sets, and hence by Lemma 5, any EF1 violation must involve agent n . Claim 10 then details the possible EF1 violations before Algorithm FixEF1ViolationsNeg is called.

For the remaining Lines 20 and 23, the following proposition states what the allocation looks like before Algorithm FixEF1ViolationsNeg is called.

► **Claim 9.** *Let k be the last agent to be allocated in the while loop in Algorithm TrileanNegEF1. Then clearly agents $1, \dots, k$ are either favourable or flexible. Further,*

Algorithm 2 TrileanNegEF1

Input: Fair division instance (N, M, \mathcal{V}) with identical negative trilean valuations.

Output: An EF1 allocation A .

```

1: Initialize  $A = (\emptyset, \dots, \emptyset)$ ,  $M' = M$ , and  $i = 1$ .
2: while  $(\exists S \subseteq M'$  such that  $S$  is favourable) AND  $(i < n)$  do
3:    $A_i = S$ ,  $M' = M' \setminus S$ ,  $i = i + 1$  ▶ Assign favourable sets.
4: while  $(M' \neq \emptyset)$  AND  $(i < n)$  AND  $(M'$  is trilean) AND  $(v(M') \neq 0)$  do ▶ Assign flexible sets.
5:   if  $v(M') = 1$  then
6:     Let  $S$  be an inclusion-wise maximal subset such that  $v(S) = -1$ .
7:     Pick any  $x \notin S$ .  $A_i = S \cup \{x\}$ ,  $M' = M' \setminus A_i$ . ▶  $v(A_i) = 0 \rightarrow -1$ .
8:   else
9:     Let  $S$  be an inclusion-wise maximal subset such that  $v(S) = 1$ .
10:    Pick any  $x \notin S$ .  $A_i = S \cup \{x\}$ ,  $M' = M' \setminus A_i$ . ▶  $v(A_i) = 0 \rightarrow 1$ .
11:     $i = i + 1$ 
12: if  $(M' = \emptyset)$  then
13:   return allocation  $A$ .
14: if  $(v(M') = 0)$  then
15:    $A_i = M'$ , return allocation  $A$ .
16: if  $(i = n)$  then
17:    $A_i = M'$ ,  $A = \text{FixEF1ViolationsNeg}(A)$ , return allocation  $A$ .
18: if  $(M'$  is Boolean  $\{0, 1\}$ -valued) then ▶ Assign resolved sets.
19:    $A = \text{Algorithm BooleanEF1}(M', N \setminus [i - 1], \mathcal{V})$ .
20:    $A = \text{FixEF1ViolationsNeg}(A)$ , return allocation  $A$ .
21: else
22:    $A = \text{Algorithm 1}(M', N \setminus [i - 1], \mathcal{V})$ .
23:    $A = \text{FixEF1ViolationsNeg}(A)$ , return allocation  $A$ .

```

1. If $\text{FixEF1ViolationsNeg}(A)$ is called in Line 20, then either:
 - a. agents $k + 1, \dots, n$ are in $\text{Res}^+ \cup \text{Zero}$, or
 - b. agents $k + 1, \dots, n - 1$ are in Res^+ , and A_n is Boolean $\{0, 1\}$ -valued.
2. If $\text{FixEF1ViolationsNeg}(A)$ is called in Line 23, then either:
 - a. agents $k + 1, \dots, n$ are in $\text{Res}^- \cup \text{Zero}$, or
 - b. agents $k + 1, \dots, n - 1$ are in Res^- , and A_n is Boolean $\{0, -1\}$ -valued.

Proof. Prior to calling $\text{FixEF1ViolationsNeg}(A)$ in Line 20, the algorithm calls Algorithm BooleanEF1 with agents $N \setminus [k]$ and items M' that are Boolean $\{0, 1\}$ -valued. From Proposition 7, either each agent $i > k$ is in $\text{Res}^+ \cup \text{Zero}$, or agents $k + 1, \dots, n - 1$ are in Res^+ , and A_n is Boolean $\{0, 1\}$ -valued. This proves the claim for Line 20. A similar proof (using Proposition 6) shows the claim for Line 23. ◀

We then have the following claim, regarding possible EF1 violations in the allocation passed to Algorithm $\text{FixEF1ViolationsNeg}$.

▶ **Claim 10.** Let A be the allocation given as input to Algorithm $\text{FixEF1ViolationsNeg}$. Then any EF1 violation must be of one of the following types:

- Type 1: Agent $i \in [n - 1]$ is in Flex^- and agent n is in Bad^+ . Other agents are favourable, flexible, or in Res^+ .

- *Type 2: Agent $i \in [n-1]$ is in Flex^+ and agent n is in Bad^- . Other agents are favourable, flexible, or in Res^- .*

Finally, in Algorithm `FixEF1ViolationsNeg`, we resolve any violations with agent n . Claim 10 tells us that any EF1 violations must be between agent n and an agent i assigned a flexible set. Further, in this case, n must be a bad agent ($v(A_n) = 1 \Rightarrow 1$ or $v(A_n) = -1 \Rightarrow -1$), and i must be a flexible agent of the opposite sign ($v(A_i) = 0 \rightarrow -1$ or $v(A_i) = 0 \rightarrow 1$, respectively). Assume $n \in \text{Bad}^+$. Then Algorithm `FixEF1ViolationsNeg` proceeds by picking an agent i in Flex^- and transferring items (arbitrarily picked) from A_n to A_i , until at least one of them is in Res^+ (has value $1 \rightarrow 0$). If $n \in \text{Res}^+$, we have reached an EF1 allocation. Else, the set of agents in Flex^- is reduced. We then pick the next agent i from Flex^- and continue transferring items from A_n to A_i .

We call the `repeat...until` loops in the algorithm the *inner* loops, and the while loops the *outer* loops. Note that if the initial allocation is not EF1, then from Claim 10 either $n \in \text{Bad}^+$ or $n \in \text{Bad}^-$, and hence exactly one of the two `if` conditions holds true.

We claim that when an inner loop terminates, either agent n is resolved and the algorithm terminates with an EF1 allocation, or the chosen agent i is in resolved and n is in `Bad`. We first show that each inner `repeat...until` loop runs for at most $|A_n| - 1$ iterations over all iterations of the outer while loop.

■ **Algorithm 3** `FixEF1ViolationsNeg`

Input: An allocation A with possible EF1 violations.

Output: An EF1 allocation A .

```

1: if (Allocation  $A$  is EF1) then
2:   return allocation  $A$ .
3: if ( $n \in \text{Bad}^+$ ) AND ( $\text{Flex}^- \neq \emptyset$ ) then           ▶  $v(A_n) = 1 \Rightarrow 1$  and  $\exists i : v(A_i) = 0 \rightarrow -1$ 
4:   while ( $n \in \text{Bad}^+$ ) AND ( $\text{Flex}^- \neq \emptyset$ ) do
5:     Let  $i \in \text{Flex}^-$ .
6:     repeat
7:       Choose an item  $x \in A_n$ ,  $A_n = A_n \setminus \{x\}$ ,  $A_i = A_i \cup \{x\}$ .
8:     until ( $i \in \text{Res}^+$ ) OR ( $n \in \text{Res}^+$ )           ▶ Either ( $v(A_i) = 1 \rightarrow 0$ ) or ( $v(A_n) = 1 \rightarrow 0$ ).
9:     return allocation  $A$ .
10: if ( $n \in \text{Bad}^-$ ) AND ( $\text{Flex}^+ \neq \emptyset$ ) then       ▶  $v(A_n) = -1 \Rightarrow -1$  and  $\exists i : v(A_i) = 0 \rightarrow 1$ 
11:   while ( $n \in \text{Bad}^-$ ) AND ( $\text{Flex}^+ \neq \emptyset$ ) do
12:     Let  $i \in \text{Flex}^+$ .
13:     repeat
14:       Choose an item  $x \in A_n$ ,  $A_n = A_n \setminus \{x\}$ ,  $A_i = A_i \cup \{x\}$ .
15:     until ( $i \in \text{Res}^-$ ) OR ( $n \in \text{Res}^-$ )           ▶ Either ( $v(A_i) = -1 \rightarrow 0$ ) or ( $v(A_n) = -1 \rightarrow 0$ ).
16:   return allocation  $A$ .

```

▶ **Claim 11.** Let $t = |A_n|$ be the initial size of A_n . Each inner loop terminates in at most $t - 1$ iterations over all invocations.

Proof. Note that each iteration of an inner loop removes an item from A_n . We prove the claim for the first inner loop (Line 6 to 8). The proof for the second inner loop proceeds similarly.

Initially $v(A_n) = 1 \Rightarrow 1$. Since all favourable sets have already been assigned, there is no set $S \subseteq A_n$ with $v(S) = 1 \rightarrow -1$. Hence if $v(A_n) \neq 1 \Rightarrow 1$, then it must be that $v(A_n) = 1 \rightarrow 0$. Thus if the first inner loop has not terminated after $t - 1$ iterations,

then $|A_n| = 1$, $v(A_n) = 1$, and any child of A_n is an empty set of value 0, and hence the loop terminates. A similar proof holds for the second inner loop as well, when initially $v(A_n) = -1 \Rightarrow -1$. \blacktriangleleft

► **Claim 12.** *After every iteration of the first while loop (Line 8), either agent n moves from Bad^+ to Res^+ and the algorithm returns an EF1 allocation, or agent i moves from Flex^- to Res^+ and agent n remains in Bad^+ .*

Similarly, after every iteration of the second while loop (Line 15), either agent n moves from Bad^- to Res^- and the algorithm returns an EF1 allocation, or agent i moves from Flex^+ to Res^- and agent n remains in Bad^- .

Proof. We show the claim for the first while loop. The case of the second while loop proceeds similarly.

We first show how the values for the agents change as items are transferred in the inner loop. Let A^0 be the initial allocation passed to Algorithm `FixEF1ViolationsNeg`. Note that each flexible agent in A^0 is assigned their bundle in the second while loop in Algorithm `TrileanNegEF1`. Let i be such a flexible agent, and let M' be the set of remaining items from which agent i is allocated. Then $v(A_i^0) = 0 \rightarrow -1$, and for any subset of items $S \subseteq M' \setminus A_i^0$, $v(A_i^0 \cup S) \neq -1$. Hence in particular, for $S \subseteq A_n^0$, $v(A_i^0 \cup S) \neq -1$. Thus for any $S \subseteq A_n^0$, either $v(A_i^0 \cup S) = 0$, or $v(A_i^0 \cup S) = 1 \rightarrow 0$ (i is moved to Res^+ and the inner loop terminates).

Initially, $v(A_n^0) = 1 \Rightarrow 1$. Again, any favourable set has been previously assigned, and hence as we remove items from A_n , we must encounter a zero before we encounter a -1 . Thus for any $S \subseteq A_n^0$, either $v(A_n^0 \setminus S) = 1 \Rightarrow 1$, or $v(A_n^0 \setminus S) = 1 \rightarrow 0$ (n is moved to Res^+ and the inner loop terminates).

We now prove the claim by induction on the number of iterations of the outer while loop. After the first while loop, either agent i is moved from Flex^- to Res^+ , or agent n is moved from Bad^+ to Res^+ . If agent n moves to Res^+ , there are no more bad agents, and all resolved agents are of the same sign (all are in Res^+). By Lemma 5, the allocation is EF1. Else, agent i moves to Res^+ , and as observed earlier, agent n must remain in Bad^+ .

Consider the allocation following the k th iteration of the outer while loop. By induction, prior to this iteration, $k - 1$ agents were moved from Flex^- to Res^+ , and agent n was in Bad^+ . By the same argument as in the base case, in the k th iteration either the n th agent is no longer a bad agent and the allocation is EF1, or the chosen agent i is moved from Flex^- to Res^+ . \blacktriangleleft

We now complete the proof of our main theorem, showing existence of EF1.

Proof of Theorem 4. We show that Algorithm `TrileanNegEF1` returns an EF1 allocation. By Claim 8, if Algorithm `TrileanNegEF1` terminates in Line 13 or Line 15, the allocation returned is EF1. Otherwise, the algorithm calls Algorithm `FixEF1ViolationsNeg` to fix the allocation. Claim 10 then shows that for the allocation passed to Algorithm `FixEF1ViolationsNeg`, any EF1 violation must be of either Type 1 or Type 2.

Suppose the EF1 violation is of Type 1. The case when the violation is of Type 2 is handled similarly. For a Type 1 violation, there must be agents in Flex^- , agent n is in Bad^+ , and the other agents are in Fav , Res^+ , or Flex^+ . Since there is an EF1 violation, and agent n is in Bad^+ , the first while loop in Algorithm `FixEF1ViolationsNeg` will execute, selecting an agent i from Flex^- . From Claim 12, each time the inner loop terminates, either agent n moves from Bad^+ to Res^+ and the algorithm returns an EF1 allocation, or agent i moves from Flex^- to Res^+ and agent n remains in Bad^+ (and note that by Claim 11, the inner

loop terminates in at most m iterations). Thus, eventually, the algorithm either moves agent n from Bad^+ to Res^+ and returns an EF1 allocation, or moves all the agents in Flex^- to Res^+ . At this point, all agents are Fav, Flex^+ , Res^+ , or Bad^+ . By Lemma 5, this is an EF1 allocation. \blacktriangleleft

We note that our algorithm may need to make an exponential number of queries, e.g., in the very first step to find favourable sets. Given the lack of structure in the problem, we do not know if there is a way of avoiding this.

4.3 Positive Trilean Valuations

We now turn our attention to the case where agents are identical and their valuations are positive trilean, i.e., $v_i(S) \in \{0, 1, 2\}$ for all agents $i \in N$ and subsets $S \subseteq M$. Similar to before, we show the existence of EF1 valuations. The algorithm is similar to the case of negative trilean valuations, with some simplifications and modifications due to the positive valuations, and is given in the appendix.

► **Theorem 13.** *Given an instance with identical positive trilean valuations, Algorithm TrileanPosEF1 returns an EF1 allocation.*

5 Separable Single-Peaked Valuations

We now turn to EF1 allocations for separable, single-peaked (SSP) valuations. As before, N and M denote the set of agents and items respectively. The set M is partitioned into t types (M_1, \dots, M_t) , with $m_j = |M_j|$ for $j \in [t]$. For an allocation A , we denote agent i 's bundle A_i as a t -tuple $(a_{i1}, a_{i2}, \dots, a_{it})$, where a_{ij} denotes the number of items of type j allocated to agent i .

To define the valuation functions for the agents, we first define θ_{ij} for $i \in N$ and $j \in [t]$ as the threshold of agent i for items of type j . Then agent i 's valuation $v_i(A_i) = \sum_{j=1}^t v_{ij}(a_{ij})$, where the valuations v_{ij} are single-peaked: for all $x \leq y \leq \theta_{ij}$, $v_{ij}(x) \leq v_{ij}(y)$, while for $\theta_{ij} \leq x \leq y$, $v_{ij}(x) \geq v_{ij}(y)$.

We point out one basic problem that occurs with SSP valuations, that must be overcome by an algorithm returning EF1 allocations. Consider a simple instance with just two agents and a partial EF1 allocation A , where agent 1 envies agent 2. Suppose there is an item x that remains to be assigned. Item x is a chore for agent 1 given A_1 and is a good for agent 1 given A_2 . That is, $v_1(A_1 \cup \{x\}) < v_1(A_1)$, and $v_1(A_2 \cup \{x\}) > v_2(A_2)$. There is no obvious way to assign item x while maintaining the EF1 property. This situation does not arise with doubly-monotone valuations.

For SSP valuations, we show two results. Firstly, we show existence of EF1 allocations when for each type j , all agents have the same threshold θ_j . In this case, our proof shows that the two-phase algorithm for doubly monotone valuations [12] works in this case as well. We reproduce the algorithm and provide the complete proof in the appendix.

► **Theorem 14.** *For SSP valuations where for each type, there is a common threshold for all agents, there always exists an EF1 allocation.*

We however present an example here to show that while the algorithm is the same as for doubly monotone valuations, the analysis of the algorithm is more complicated. The complications in the example carry over to the three agent case with non-identical thresholds as well.

An example with identical thresholds

There are two identical agents, 1 and 2 with identical valuations, and two types of items. There is a single item x of type 1, and $v(x) = 5$. There are three items a , b , and c of type 2. Each agent has value 10 if she gets a single item of type 2, value 9 if she gets two, and value -10 if she gets all three. Thus, the common threshold for the second type is 1.

After phase 1, the allocation is $A_1 = \{a\}$, and $A_2 = \{x, b\}$, and 1 envies 2. Note that removing item b removes this envy.

The algorithm in Phase 2 then assigns c to agent 2. Then $v(A_1) = 10$ and $v(A_2) = 14$. However, note that removing item b — the item which upon removal, previously eliminated the envy — from A_2 does not eliminate envy in the current allocation. In fact, $v(\{x, c\}) = 15 > v(\{x, b, c\})$. Hence, the following proof by induction used earlier in the doubly monotone case — that argues that since there existed an item x which upon removal, eliminated envy earlier, the removal of x eliminates envy in the current allocation — does not work.

The trouble is that within an item type, valuations are not additive. For some allocation A , if $v_1(A_1) < v_1(A_2)$ and removing item x of type j from A_2 reduced agent 1's value for A_2 by δ , then since the valuation for further items of type j is not additive, if we assign another item of type j to agent 2 — *even if this item has negative marginal value for all agents and bundles* — removing the earlier item x may not reduce the value by δ . In fact, removal of x may even increase the valuation, as seen in the example. Thus while assigning items, we have to be very careful to avoid this situation. In particular, the second subcase of Lemma 26 (in the appendix) is significantly more complicated to deal with this scenario. ◀

Secondly, for the general case where agents may have different thresholds for a type, we show the existence of EF1 allocations for three agents. Here, the algorithm considerably differs from the algorithm for doubly-monotone valuations. While it is still a two-phase algorithm, the two phases are very carefully crafted for the special case of three agents.

► **Theorem 15.** *For SSP valuations with 3 agents, there always exists an EF1 allocation.*

For the algorithm, given a partial allocation A , as in prior work, we let $G_A = (V, E)$ denote the envy graph, where $V = N$ and $(i, k) \in E$ if agent i envies agent k . T_A is the top-trading envy graph, a subgraph of G_A with a directed edge (i, k) if $v_i(A_k) = \max_{i' \in N} v_i(A_{i'}) > v_i(A_i)$. Given a directed cycle C in G_A or T_A , A_C is the allocation obtained by giving each agent in C the bundle of the agent they envy in C .

The proof of Theorem 15 follows immediately from the next two lemmas. In order to show that the allocation remains EF1 after the allocation of items of type j , we use \hat{A} to denote the allocation prior to type j , i.e., after allocation of items of the previous type. At a high level, the proof shows that if agent i envies agent k after the allocation of an item of type j , then either removing the item just allocated resolves the envy, or that agent i envied agent k in allocation \hat{A} as well. In the latter case, since allocation \hat{A} is EF1 by induction, there is some item x which upon removal resolves the envy. We show that, by additivity of the valuation across types, removing this item x resolves the current envy as well. As demonstrated in the example above, it is crucial that this item x is not an item of type j , else we cannot assume additivity.

► **Lemma 16.** *Let A be the (partial) allocation at any point in Phase 1 (i.e., in the first for all loop). Then if agent i envies agent k , there exists some item $x \in A_k$ such that $v_i(A_i) \geq v_i(A_k \setminus \{x\})$.*

Proof. The proof is by induction. Initially, each $A_i = (0, 0, \dots, 0)$ and the statement clearly holds. We will consider each line where the allocation is changed in Phase 1 and show that the statement holds.

■ **Algorithm 4** An EF1 algorithm for separable single-peaked valuations with 3 agents

```

1: Initialise  $A_i$  to  $(0, 0, \dots, 0)$  for each agent  $i \in \{1, 2, 3\}$ 
2: Initialise  $\bar{m}_j \leftarrow \lfloor m_j/3 \rfloor$ ,  $\hat{m}_j \leftarrow m_j \bmod 3$ ,  $N_j \leftarrow \{i : \theta_{ij} > \bar{m}_j\}$  for each item type  $j \in [t]$ 
   ►  $\hat{m}_j \in \{0, 1, 2\}$  is the number of items left over after each agent is assigned  $\lfloor m_j/3 \rfloor$  items, and
    $N_j$  is the set of agents that still want more items.
3: for all  $j \in [t]$  s.t.  $|N_j| \geq \hat{m}_j$  do                                     ► Phase 1
4:   while  $G_A$  has a cycle  $C$  do
5:      $A \leftarrow A_C$                                                          ► Swap bundles along  $C$ 
6:     Let 1, 2, 3 be the topological order of the agents in  $G_A$ 
7:      $a_{ij} \leftarrow \bar{m}_j$  for each agent  $i$ 
8:     for  $i = 1$  to 3 do
9:       if  $i \in N_j$  and  $\hat{m}_j > 0$  then
10:         $a_{ij} \leftarrow a_{ij} + 1$       ► If  $i$  wants an item, and there is an item remaining, assign it
11:         $\hat{m}_j \leftarrow \hat{m}_j - 1$ 
12:   for all  $j \in [t]$  s.t.  $\hat{m}_j > |N_j|$  do                                     ► Phase 2,  $\hat{m}_j \in \{1, 2\}$ ,  $|N_j| \in \{0, 1\}$ 
13:      $C \leftarrow$  any cycle in  $T_A$ ,  $A \leftarrow A_C$                              ► Swap bundles along top-trading cycle  $C$ 
14:      $a_{ij} \rightarrow \bar{m}_j$  for each agent  $i$ 
15:     if  $|N_j| = 0$  then
16:       while  $\hat{m}_j > 0$  do
17:         Choose a sink  $k$  in the graph  $G_A$ 
18:          $a_{kj} \leftarrow a_{kj} + 1$ ,  $\hat{m}_j \leftarrow \hat{m}_j - 1$ 
19:          $C \leftarrow$  any cycle in  $T_A$ ,  $A \leftarrow A_C$                              ► Swap bundles along top-trading cycle  $C$ 
20:     else if  $|N_j| = 1$  then
21:       Let  $N_j = \{k\}$ , and let  $\ell$  be a sink in  $G_A$ .
22:        $a_{kj} \leftarrow a_{kj} + 1$ 
23:        $a_{\ell j} \leftarrow a_{\ell j} + 1$ 
24:   Return  $A$ 

```

Line 5 (cycle swapping)

The allocation remains EF1 due to the induction hypothesis. As stated, let \hat{A} be the partial allocation before the cycle swapping step. By the induction hypothesis, the statement holds for \hat{A} . Let agent i envy agent k in A . If $i \notin C$, then the statement trivially holds due to the induction hypothesis (and since bundles only change hands, but do not change, in the cycle swap). If $i \in C$, i 's value for her bundle increases, and due to the induction hypothesis, the envy towards k 's bundle remains EF1.

Note that when all cycles are resolved, we have an acyclic graph (DAG) and hence can arrange the vertices (agents) in a topological order.

Line 7 (assigning \bar{m}_j items to each agent)

Since we are giving an equal number of items of the same type to each agent, and the valuations are additive across different types, for an agent the relative value of any other bundle remains the same. Hence if removing an item x from an envious agent resolved the envy earlier, this continues to be the case.

Line 10 (adding an item to an agent in N_j)

Let A be the allocation after Phase 1, when Line 10 finishes executing. Suppose agent i envies agent k in A . If neither i nor k are allocated in Line 10, then the statement trivially holds from the previous paragraph. We consider at the other three cases separately. In each case, we will show that i envies k in allocation \hat{A} as well, and if removing item x from \hat{A}_i resolved the envy earlier, this continues to hold.

1. i is allocated, k is not. In this case, we know that $i \in N_j$ and hence $\theta_{ij} > \bar{m}_j$. Then

$$v_i(A_i) = v_i(\hat{A}_i) + v_{ij}(\bar{m}_j + 1) < v_i(A_k) = v_i(\hat{A}_k) + v_{ij}(\bar{m}_j).$$

But since $v_{ij}(\bar{m}_j + 1) > v_{ij}(\bar{m}_j)$, we have $v_i(\hat{A}_i) < v_i(\hat{A}_k)$, and hence i envies k in \hat{A} as well.

Now by the induction hypothesis, there exists $x \in \hat{A}_i$ such that $v_i(\hat{A}_i \setminus \{x\}) \geq v_i(\hat{A}_k)$. Then clearly, since the valuation is additive across types,

$$v_i(A_i \setminus \{x\}) = v_i(\hat{A}_i \setminus \{x\}) + v_{ij}(\bar{m}_j + 1) \geq v_i(\hat{A}_k) + v_{ij}(\bar{m}_j) = v_i(A_k).$$

2. i is not allocated, k is. Since i is not allocated an item, and we allocate items in Line 10 in DAG order, either $i \notin N_j$ or $v_i(\hat{A}_i) \geq v_i(\hat{A}_k)$.

- a. Suppose $v_i(\hat{A}_i) \geq v_i(\hat{A}_k)$. Then $v_i(A_i) = v_i(\hat{A}_i) + v_{ij}(\bar{m}_j) \geq v_i(\hat{A}_k) + v_{ij}(\bar{m}_j)$, and hence removing the last item of type j given to agent k in Line 10 resolves the envy.
- b. Suppose $v_i(\hat{A}_i) < v_i(\hat{A}_k)$, and $i \notin N_j$. Then by the induction hypothesis, there exists $x \in \hat{A}_i$ so that $v_i(\hat{A}_i \setminus \{x\}) \geq v_i(\hat{A}_k)$. Since $i \notin N_j$, $v_{ij}(\bar{m}_j) \geq v_{ij}(\bar{m}_j + 1)$. Then

$$v_i(A_i \setminus \{x\}) = v_i(\hat{A}_i \setminus \{x\}) + v_{ij}(\bar{m}_j) \geq v_i(\hat{A}_k) + v_{ij}(\bar{m}_j + 1) = v_i(A_k).$$

3. Both i, k are allocated. Then for i , the value of both bundles goes up additively by $v_{ij}(\bar{m}_j + 1)$. By the induction hypothesis, the statement holds. ◀

► **Lemma 17.** *Let A be the (partial) allocation at any point in Phase 2 (i.e., in the second for all loop). Then if agent i envies agent k , there exists some item $x \in A_i \cup A_k$ such that $v_i(A_i \setminus \{x\}) \geq v_i(A_k \setminus \{x\})$.*

Proof. The proof is by induction. Initially, we have the partial allocation from Phase 1 which we proved was EF1 in the previous lemma. We will consider each line where the allocation is changed in Phase 2 and show that the statement holds.

Lines 13 and 19 (resolving top-trading envy cycles)

Clearly, resolving top-trading envy cycles maintains EF1, since after resolving the cycle (i) agents in the cycle do not envy any other agent, and (ii) for agents outside the cycle, only the ownership of bundles changes, not the bundles themselves.

Line 14 (assigning \bar{m}_j items to each agent)

The proof is the same as in the previous lemma, with the modification that the item x that upon removal resolves envy does not have to belong to the envious agent.

Line 18 (assigning items to sinks if $|N_j| = 0$)

Suppose agent i envies agent k in A after an execution of Line 18. If neither i or k was allocated an item, the allocation is EF1 by induction. If i was just allocated an item, then i was a sink prior to the allocation, and clearly removing the item just allocated to i resolves the envy. Else, suppose k was allocated an item, then k was a sink prior to the allocation. Note that there were either 1 or 2 items of type j remaining after the equipartition, and hence agent i has previously received at most one item of type j in Line 18. We consider these cases separately.

1. Agent i did not previously receive an item of type j in Line 18. Hence $a_{ij} = \bar{m}_j$. Then let \hat{A} be the allocation prior to the equipartition (i.e., before any items of type j are assigned). Then

$$v_i(A_i) = v_i(\hat{A}_i) + v_{ij}(\bar{m}_j) < v_i(A_k) = v_i(\hat{A}_k) + v_{ij}(\bar{m}_j + 1) \leq v_i(\hat{A}_k) + v_{ij}(\bar{m}_j),$$

where the last inequality is because $N_j = \emptyset$. Hence, $v_i(\hat{A}_i) < v_i(\hat{A}_k)$, and for some $x \in A_i \cup A_k$, removing x resolves the envy in allocation \hat{A} . Then removing x resolves the envy in allocation A as well.

2. Agent i previously received an item of type j in Line 18. Hence $a_{ij} = \bar{m}_j + 1$, and $a_{kj} = \bar{m}_j + 1$. Then

$$v_i(A_i) = v_i(\hat{A}_i) + v_{ij}(\bar{m}_j + 1) < v_i(A_k) = v_i(\hat{A}_k) + v_{ij}(\bar{m}_j + 1).$$

Again, $v_i(\hat{A}_i) < v_i(\hat{A}_k)$, and for some $x \in A_i \cup A_k$, removing x resolves the envy in allocation \hat{A} . Then removing x resolves the envy in allocation A as well.

Line 22 (giving an item to $k \in N_j$)

Since only agent k wants more items after the equipartition (since $|N_j| = 1$), clearly any envy after allocating an item in Line 22 must have been present in allocation \hat{A} as well. It follows along similar lines to previous proofs, that if removing an item x resolved envy in allocation \hat{A} , this is true of the current allocation as well.

Line 23 (giving the last item to a sink)

As before, let \hat{A} be the allocation before allocating any items of type j , and A be the allocation after this line. If agent ℓ envies any agent after this line, then clearly removing this last item resolves the envy. Now suppose agent i envies agent ℓ . If $i \in N_j$, then i also received an item of type j in Line 22, else $i \notin N_j$. In either case, we can show that $v_i(\hat{A}_i) < v_i(\hat{A}_\ell)$. As previously, removing the item x that resolves the envy in allocation \hat{A} works for the current allocation as well. \blacktriangleleft

6 Non-existence of EFX Allocations

Given the existence of EF1 allocations, a natural question is whether EFX allocations exist for the valuations studied. Bérczi et al. refine the definition of EFX for nonmonotone valuations. They define an EFX_+^+ allocation A as one where if agent i envies agent j , then this should be resolved by removing any item with a strictly positive marginal value from A_j , and any item with a strictly negative marginal value from A_i . Further at least one such item must exist. They show that for identical negative Boolean valuations, as well as for positive Boolean valuations, an EFX_+^+ allocation always exists.

More formally, for agent i and subset $S \subseteq M$, let $M_i^+(S) = \{x \in S \mid v_i(S) > v_i(S \setminus \{x\})\}$, and $M_i^-(S) = \{x \in S \mid v_i(S) < v_i(S \setminus \{x\})\}$. Then allocation A is EFX_-^+ if, whenever agent i envies agent j , the set $M_i^+(A_j) \cup M_i^-(A_i)$ is nonempty, and for every $x \in M_i^+(A_j) \cup M_i^-(A_i)$, $v_i(A_i \setminus \{x\}) \geq v_i(A_j \setminus \{x\})$. To complete the picture, we show that EFX_-^+ allocations do not exist for identical negative trilean valuations, or for separable single-peaked valuations, even with two identical agents and three items of a single type. In fact the same example shows nonexistence for both valuation classes.

► **Theorem 18.** *EFX_-^+ allocations may not exist even for two agents with identical negative trilean valuations, or two agents with identical SSP valuations.*

Proof. Consider an instance with three items and two identical agents. For $S \subseteq M$, $v(S) = 0$ if $S = \emptyset$, 1 if $|S| = 1$, and -1 if $|S| \geq 2$. This valuation is clearly both negative trilean and separable single-peaked with a single type.

To show non-existence of EFX_-^+ there are two cases to consider: (i) agent 1 gets nothing, and (ii) agent 1 gets one item. In case (i), since $v(A_1) = 0$ and $v(A_2) = -1$, agent 2 envies agent 1. However $M_2^+(A_1) \cup M_2^-(A_2) = \emptyset$, and hence this allocation is not EFX_-^+ . In case (ii), $v(A_1) = 1$ and $v(A_2) = -1$ and again agent 2 envies agent 1. However removing the single item from A_1 does not remove the envy, and hence this allocation is also not EFX_-^+ . ◀

7 Conclusion

Our paper extends work on the existence of EF1 allocations in two new directions — for trilean valuations, and for separable single-peaked valuations. Both of these are natural classes of valuations in which to study EF1 allocations. For trilean valuations, it appears likely that our algorithm and the structures introduced may be useful in further extending results on the existence of EF1 to general identical valuations. For example, if max and min are the maximum and minimum possible values for any set, then a set S with value $v(S) = \max \rightarrow \min$ or $v(S) = \min \rightarrow \max$ should be assigned immediately, similar to how we treat favourable sets. More directly, just as our algorithm uses algorithms for Boolean $\{0, 1\}$ and $\{0, -1\}$ valuations as subroutines, it is possible that algorithms for k distinct valuations use algorithms for $(k - 1)$ distinct valuations as subroutines.

The big open question that remains is the existence of EF1 allocations, even for three agents with identical valuations. More immediately, EF1 existence is left open for agents with nonidentical trilean valuations, and for more than three agents with separable single-peaked valuations.

References

- 1 Hannaneh Akrami, Noga Alon, Bhaskar Ray Chaudhury, Jugal Garg, Kurt Mehlhorn, and Ruta Mehta. Efx: a simpler approach and an (almost) optimal guarantee via rainbow cycle number. In *Proceedings of the 24th ACM Conference on Economics and Computation*, pages 61–61, 2023.
- 2 Georgios Amanatidis, Haris Aziz, Georgios Birmpas, Aris Filos-Ratsikas, Bo Li, Hervé Moulin, Alexandros A Voudouris, and Xiaowei Wu. Fair division of indivisible goods: Recent progress and open questions. *Artificial Intelligence*, page 103965, 2023.
- 3 Georgios Amanatidis, Georgios Birmpas, George Christodoulou, and Evangelos Markakis. Truthful allocation mechanisms without payments: Characterization and implications on fairness. In *Proceedings of the 2017 ACM Conference on Economics and Computation*, pages 545–562, 2017.

- 4 Georgios Amanatidis, Georgios Birmpas, Federico Fusco, Philip Lazos, Stefano Leonardi, and Rebecca Reiffenhäuser. Allocating indivisible goods to strategic agents: Pure nash equilibria and fairness. *Mathematics of Operations Research*, 2023.
- 5 Haris Aziz. Simultaneously achieving ex-ante and ex-post fairness. In *Web and Internet Economics: 16th International Conference, WINE 2020, Beijing, China, December 7–11, 2020, Proceedings 16*, pages 341–355. Springer, 2020.
- 6 Haris Aziz, Ioannis Caragiannis, and Ayumi Igarashi. Fair allocation of combinations of indivisible goods and chores. *CoRR*, abs/1807.10684, 2018.
- 7 Haris Aziz, Ioannis Caragiannis, Ayumi Igarashi, and Toby Walsh. Fair Allocation of Indivisible Goods and Chores. In *Proceedings of the 28th International Joint Conference on Artificial Intelligence*, pages 53–59, 2019.
- 8 Moshe Babaioff, Tomer Ezra, and Uriel Feige. Fair and truthful mechanisms for dichotomous valuations. In *Proceedings of the AAAI Conference on Artificial Intelligence*, volume 35, pages 5119–5126, 2021.
- 9 Siddharth Barman, Sanath Kumar Krishnamurthy, and Rohit Vaish. Finding Fair and Efficient Allocations. In *Proceedings of the 19th ACM Conference on Economics and Computation*, pages 557–574, 2018.
- 10 Siddharth Barman, Sanath Kumar Krishnamurthy, and Rohit Vaish. Greedy Algorithms for Maximizing Nash Social Welfare. In *Proceedings of the 17th International Conference on Autonomous Agents and Multiagent Systems*, pages 7–13, 2018.
- 11 Ben Berger, Avi Cohen, Michal Feldman, and Amos Fiat. Almost full EFX exists for four agents. In *AAAI*, pages 4826–4833. AAAI Press, 2022.
- 12 Umang Bhaskar, A. R. Sricharan, and Rohit Vaish. On Approximate Envy-Freeness for Indivisible Chores and Mixed Resources. In *APPROX*, volume 207, pages 1:1–1:23, 2021.
- 13 Eric Budish. The Combinatorial Assignment Problem: Approximate Competitive Equilibrium from Equal Incomes. *Journal of Political Economy*, 119(6):1061–1103, 2011.
- 14 Kristóf Bérczi, Erika R. Bérczi-Kovács, Endre Boros, Fekadu Tolessa Gedefa, Naoyuki Kamiyama, Telikepalli Kavitha, Yusuke Kobayashi, and Kazuhisa Makino. Envy-free relaxations for goods, chores, and mixed items. *Theoretical Computer Science*, 1002:114596, 2024.
- 15 Ioannis Caragiannis, David Kurokawa, Hervé Moulin, Ariel D Procaccia, Nisarg Shah, and Junxing Wang. The Unreasonable Fairness of Maximum Nash Welfare. *ACM Transactions on Economics and Computation*, 7(3):12, 2019.
- 16 Bhaskar Ray Chaudhury, Yun Kuen Cheung, Jugal Garg, Naveen Garg, Martin Hoefer, and Kurt Mehlhorn. Fair division of indivisible goods for a class of concave valuations. *J. Artif. Intell. Res.*, 74:111–142, 2022.
- 17 Bhaskar Ray Chaudhury, Jugal Garg, and Kurt Mehlhorn. EFX exists for three agents. In *ACM Conference on Economics and Computation (EC)*, pages 1–19. ACM, 2020.
- 18 Rupert Freeman, Nisarg Shah, and Rohit Vaish. Best of Both Worlds: Ex-Ante and Ex-Post Fairness in Resource Allocation. In *Proceedings of the 21st ACM Conference on Economics and Computation*, pages 21–22, 2020.
- 19 Jugal Garg, Ruta Mehta, Milind A. Sohoni, and Vijay V. Vazirani. A complementary pivot algorithm for market equilibrium under separable, piecewise-linear concave utilities. *SIAM J. Comput.*, 44(6):1820–1847, 2015.
- 20 Jugal Garg, Aniket Murhekar, and John Qin. Fair and efficient allocations of chores under bivalued preferences. In *Thirty-Sixth AAAI Conference on Artificial Intelligence, AAAI*, pages 5043–5050, 2022.
- 21 Pratik Ghosal, Vishwa Prakash HV, Prajakta Nimbhorkar, and Nithin Varma. EFX exists for four agents with three types of valuations. *CoRR*, abs/2301.10632, 2023.
- 22 Jonathan Goldman and Ariel D Procaccia. Spliddit: Unleashing Fair Division Algorithms. *ACM SIGecom Exchanges*, 13(2):41–46, 2015.

- 23 Daniel Halpern, Ariel D. Procaccia, Alexandros Psomas, and Nisarg Shah. Fair division with binary valuations: One rule to rule them all. In *Web and Internet Economics (WINE)*, volume 12495 of *Lecture Notes in Computer Science*, pages 370–383. Springer, 2020.
- 24 Hadi Hosseini, Aghaheybat Mammadov, and Tomasz Was. Almost envy-freeness under weakly lexicographic preferences. *arXiv preprint arXiv:2404.19740*, 2024.
- 25 Richard J Lipton, Evangelos Markakis, Elchanan Mossel, and Amin Saberi. On Approximately Fair Allocations of Indivisible Goods. In *Proceedings of the 5th ACM Conference on Electronic Commerce*, pages 125–131, 2004.
- 26 Frédéric Meunier and Shira Zerbib. Envy-Free Cake Division Without Assuming the Players Prefer Nonempty Pieces. *Israel Journal of Mathematics*, 234(2):907–925, 2019.
- 27 Shaily Mishra, Manisha Padala, and Sujit Gujar. Fair allocation of goods and chores - tutorial and survey of recent results. *CoRR*, abs/2307.10985, 2023. URL: <https://doi.org/10.48550/arXiv.2307.10985>, doi:10.48550/ARXIV.2307.10985.
- 28 Hervé Moulin. Fair division in the internet age. *Annual Review of Economics*, 11:407–441, 2019.
- 29 Aniket Murhekar and Jugal Garg. On fair and efficient allocations of indivisible goods. In *Proceedings of the Thirty-Fifth AAAI Conference on Artificial Intelligence, AAAI*, pages 5595–5602. AAAI Press, 2021.
- 30 Benjamin Plaut and Tim Roughgarden. Almost Envy-Freeness with General Valuations. In *Proceedings of the 29th Annual ACM-SIAM Symposium on Discrete Algorithms*, pages 2584–2603, 2018.
- 31 Benjamin Plaut and Tim Roughgarden. Almost Envy-Freeness with General Valuations. *SIAM Journal on Discrete Mathematics*, 34(2):1039–1068, 2020.
- 32 Ariel D Procaccia. Cake Cutting Algorithms. In *Handbook of Computational Social Choice, Chapter 13*. Citeseer, 2015.
- 33 Erel Segal-Halevi. Fairly Dividing a Cake after Some Parts were Burnt in the Oven. In *Proceedings of the 17th International Conference on Autonomous Agents and MultiAgent Systems*, pages 1276–1284, 2018.
- 34 Nisarg Shah. Spliddit: two years of making the world fairer. *XRDS: Crossroads, The ACM Magazine for Students*, 24(1):24–28, 2017.
- 35 Christopher Taylor, James Ring, John Chu, Steven Brams, and William Hazel. Fair Outcomes, Inc., 2006. URL: <https://www.crunchbase.com/organization/fair-outcomes>.
- 36 Wikipedia contributors. Three-valued logic — Wikipedia, the free encyclopedia, 2024. [Online; accessed 24-November-2024]. URL: https://en.wikipedia.org/w/index.php?title=Three-valued_logic&oldid=1256585289.

A Appendix

A.1 Trilean Valuations

► **Proposition 1.** *Suppose an EF1 allocation exists in all instances (N, M, \mathcal{V}) with identical agents, where either $v(S) \in \{0, 1, -1\}$ for all $S \subseteq M$, or $v(S) \in \{0, 1, 2\}$. Then an EF1 allocation exists in all instances with identical agents where $v(S) \in \{0, a, b\}$ for any integers a, b .*

Proof. As stated, since for envy-freeness we only compare relative values of bundles, the proof is immediate if either a or b is nonnegative. Thus we only need to consider the case where both a and b are negative. For this, suppose $0 > a > b$. Create a trilean instance (N, M, \mathcal{V}') where we set $v'(S) = 1$ if $v(S) = a$, $v'(S) = 2$ if $v(S) = b$, and $v'(S) = 0$ if $v(S) = 0$. Note that if $v(S) > v(T)$ for $S, T \subseteq M$, then $v'(S) < v'(T)$. Let A be an EF1 allocation in (N, M, \mathcal{V}') . We will show that A is an EF1 allocation for the original instance as well. Suppose that i envies j , thus $v(A_i) < v(A_j)$. Then $v'(A_i) > v'(A_j)$, and since allocation A is EF1 for valuations \mathcal{V}' , there exists some item $x \in A_i \cup A_j$ so that $v'(A_i \setminus \{x\}) \leq v'(A_j \setminus \{x\})$. It follows immediately that if $v(A_i) < v(A_j)$, for some item $x \in A_i \cup A_j$, $v(A_i \setminus \{x\}) \geq v(A_j \setminus \{x\})$, resolving the envy. ◀

A.2 Negative Trilean Valuations

We present proofs of results missing from the main paper.

► **Lemma 5.** *Given agents with identical negative trilean valuations and an allocation A , agents i, j are NOT mutually EF1 only if:⁶*

1. $i \in \text{Bad}^+$, and $j \in \text{Zero} \cup \text{Flex}^- \cup \text{Res}^- \cup \text{Bad}^-$, or
2. $i \in \text{Bad}^-$, and $j \in \text{Zero} \cup \text{Flex}^+ \cup \text{Res}^+ \cup \text{Bad}^+$, or
3. $i \in \text{Res}^+$ and $j \in \text{Res}^-$.

Proof. For Figure 1, we will show that if two sets don't have an edge between them, there cannot be an EF1 violation for agents in those sets.

Fav has no edge.

$(-1 \rightarrow 1 \text{ or } 1 \rightarrow -1)$ Consider $i \in \text{Fav}$ so that $v(A_i) = 1 \rightarrow -1$. Then i does not envy any agent, and any envy towards i can be eliminated by removing an element x so that $v(A_i \setminus \{x\}) = -1$. Hence i is mutually EF1 with every other agent. Similarly, if $v(A_i) = -1 \rightarrow 1$, then no agent envies i , and i 's envy can be eliminated by removing an item x from A_i so that $v(A_i \setminus \{x\}) = 1$. Hence again, i is mutually EF1 with every other agent.

Flex⁺, Res⁺, Bad⁺ form an independent set.

$(0 \rightarrow 1, 1 \rightarrow 0, 1 \rightleftharpoons 1)$ Consider agents i, j in $\text{Flex}^+ \cup \text{Res}^+ \cup \text{Bad}^+$. If neither i nor j is in Flex^+ , then i and j have the same value and are mutually envy-free. If $i \in \text{Flex}^+$ and $j \in \text{Res}^+ \cup \text{Bad}^+$, then i envies j , but there exists $x \in A_i$ so that $v(A_i \setminus \{x\}) = 1$.

Flex⁻, Res⁻, Bad⁻ form an independent set.

$(0 \rightarrow -1, -1 \rightarrow 0, -1 \rightleftharpoons -1)$ The proof is similar to the previous case.

⁶ Note that $\text{U} \subseteq \text{Zero}$.

Flex⁻, Res⁺, Zero form an independent set.

$(0 \rightarrow -1, 1 \rightarrow 0, 0)$ Consider agents i, j in $\text{Flex}^- \cup \text{Res}^+ \cup \text{Zero}$. As in the previous case, agents in Flex^- and Zero have the same value 0 for their bundles, and are mutually envy-free. If $i \in \text{Res}^+$ and $j \in \text{Flex}^- \cup \text{Zero}$, then j envies i , but since $v(A_i) = 1 \rightarrow 0$ this envy is resolved by removing an item from A_i .

Flex⁺, Res⁻, Zero form an independent set.

$(0 \rightarrow 1, -1 \rightarrow 0, 0)$ The proof is similar to the previous case.

Flex⁻, Flex⁺, Zero form an independent set.

$(0 \rightarrow -1, 0 \rightarrow 1, 0)$ This is because agents in any of these sets have value 0 and are hence mutually envy-free.

This completes the proof. ◀

► **Proposition 6.** *For identical $\{0, -1\}$ -valuations, the allocation returned by the Algorithm *NegBooleanEF1* satisfies one or both of the following conditions.*

1. *Each agent is in Res⁻ or Zero.*
2. *The first $n - 1$ agents are in Res⁻.*

Proof. If Algorithm 1 is given identical Boolean $\{0, -1\}$ valuations, then in the resulting allocation, every agent i allocated in the while loop has $v(A_i) = -1 \rightarrow 0$, hence $i \in \text{Res}^-$. If Line 7 executes, or $M' = \emptyset$ after the while loop, then every remaining agent has value 0, satisfying the first condition. Else, the first $n - 1$ agents have value $v(A_i) = -1 \rightarrow 0$ for their bundles, satisfying the second condition. ◀

► **Claim 10.** *Let A be the allocation given as input to Algorithm *FixEF1ViolationsNeg*. Then any EF1 violation must be of one of the following types:*

- *Type 1: Agent $i \in [n - 1]$ is in Flex⁻ and agent n is in Bad⁺. Other agents are favourable, flexible, or in Res⁺.*
- *Type 2: Agent $i \in [n - 1]$ is in Flex⁺ and agent n is in Bad⁻. Other agents are favourable, flexible, or in Res⁻.*

Proof. Consider the 3 places where Algorithm *TrileanNegEF1* calls Algorithm *FixEF1ViolationsNeg*.

- In Line 17, before *FixEF1ViolationsNeg*(A) is called, agents $1, \dots, n - 1$ are assigned either favourable or flexible sets. From Lemma 5, a flexible set can only have an EF1 violation with a bad set. Hence if there is an EF1 violation, it must be between either $i \in \text{Flex}^+$ and $n \in \text{Bad}^-$, or $i \in \text{Flex}^-$ and $n \in \text{Bad}^+$, as claimed.
- Claim 9 describes the allocation if *FixEF1ViolationsNeg* is called in Line 20. In Case 1(a), all agents are either favourable, flexible, in Res⁺, or zero-valued. From Lemma 5, in this case, there is no EF1 violation to resolve. In Case 1(b), all agents except the last are either favourable, flexible, or in Res⁺, and the last agent has a set that is Boolean $\{0, 1\}$ -valued. Again from Lemma 5, EF1 violations are only possible if $n \in \text{Bad}^+$, and some agents are in Flex⁻.
- If *FixEF1ViolationsNeg* is called in Line 23, similar to Line 20, we use Claim 9 and Lemma 5 to show that the only EF1 violations possible are of Type 2. ◀

A.3 Positive Trilean Valuations

We prove the following theorem in this section, showing existence of EF1 for positive trilean valuations.

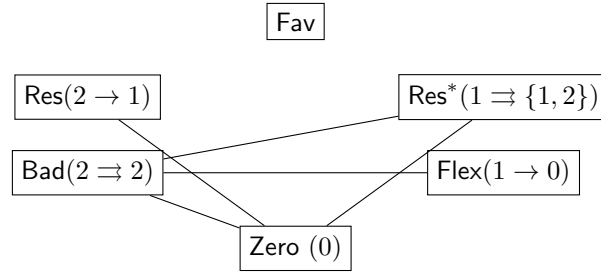
► **Theorem 13.** *Given an instance with identical positive trilean valuations, Algorithm TrileanPosEF1 returns an EF1 allocation.*

For the proof, we first define sets similar to the case of negative trilean valuations, with minor adjustments to certain definitions.

1. Unallocated: $U = \{i : A_i = \emptyset\}$.
2. Zero: $Zero = \{i : v(A_i) = 0\}$.
3. Favourable: $Fav = \{i : v(A_i) = 2 \rightarrow 0 \text{ or } v(A_i) = 0 \rightarrow 2\}$.
4. Flexible: $Flex = \{i : v(A_i) = 1 \rightarrow 0\}$.
5. Resolved: $Res = \{i : v(A_i) = 2 \rightarrow 1\}$ and $Res^* = \{i : v(A_i) = 1 \rightarrow \{1, 2\}\}$.
6. Bad: $Bad = \{i : v(A_i) = 2 \rightarrow 2\}$.

It is easy to verify that the above sets are not mutually exclusive, but are exhaustive. As before, we also apply these terms to describe the corresponding sets. Therefore, a set of items S is:

1. Zero-valued if $v(S) = 0$.
2. Favourable if $v(S) = 2 \rightarrow 0$ or $v(S) = 0 \rightarrow 2$.
3. Flexible if $v(S) = 1 \rightarrow 0$.
4. Resolved if $v(S) = 2 \rightarrow 1$ or $v(S) = 1 \rightarrow \{1, 2\}$.
5. Bad if $v(S) = 2 \rightarrow 2$.



■ **Figure 2** The edges show possible EF1 violations between different sets of agents

It is easy to see that the agents within a set are mutually EF1. As earlier, we now use these sets to give necessary conditions for the violation of EF1.

► **Lemma 19.** *Given agents with identical positive trilean valuations and an allocation A , agents i, j are not mutually EF1 only if:⁷*

1. $i \in Bad$, and $j \in Zero \cup Flex \cup Res^*$, or
2. $i \in Zero$, and $j \in Res \cup Res^*$.

Note that agents in set Fav are mutually EF1 with every other agent, irrespective of the bundle possessed by the other agent.

⁷ Note that $U \subseteq Zero$.

Proof. This lemma can be easily proved following the proof of Lemma 5, and its statement is also conclusive from Figure 2. Therefore, we will skip the proof. ◀

We are now ready to describe our algorithm, which has a similar flavor to Algorithm 2. The algorithm operates by initially allocating *favourable* sets to the first $n - 1$ agents, as long as such sets are available. If there are items left but no more favourable sets, and not all agents in $n - 1$ have been allocated, let M' denote the set of remaining items. If $v(M') = 0$ (or $M' = \emptyset$), we assign M' to the next agent and return the resulting allocation. Otherwise, if M' is trilean, then we find a maximal set S with $v(S) = 0$ and assign $S \cup \{x\}$ to the next agent, where $x \in M' \setminus S$. Note that $v(S \cup \{x\}) = 1 \rightarrow 0$ because M' does not contain any favourable sets.

After allocating any flexible sets to agents in $[n - 1]$, if at least two agents remain and $v(M') = 0$, then assign M' to the next agent and return the resulting allocation, which satisfies EF1. If $v(M') \neq 0$ then M' is Boolean $\{0, 1\}$ -valued. We then invoke the algorithm that returns an EF1 allocation for Boolean $\{0, 1\}$ valuations. Note that there won't be any EF1 violations in the complete allocation.

The only case that remains is when all agents in $[n - 1]$ have been allocated either favourable or flexible sets. In this case, we assign the remaining set of items to agent n and invoke Algorithm 6 to resolve EF1 violations if there are any.

Note that the set Res^+ , defined in the context of negative trilean valuations, is the same as Flex in the current context. Hence, Proposition 7 is restated as follows.

► **Proposition 20.** *For identical $\{0, 1\}$ -valuations, the allocation returned by Algorithm BooleanEF1 satisfies one or both of the following conditions:*

1. *Each agent is in Flex or Zero.*
2. *The first $n - 1$ agents are in Flex.*

■ **Algorithm 5** TrileanPosEF1

Input: Fair division instance (N, M, \mathcal{V}) with identical positive trilean valuations.

Output: An EF1 allocation A .

- 1: Initialize $A = (\emptyset, \dots, \emptyset)$, $M' = M$, and $i = 1$.
- 2: **while** $(\exists S \subseteq M'$ such that S is favourable) **AND** $(i < n)$ **do**
- 3: $A_i = S$, $M' = M' \setminus S$, $i = i + 1$ ► Assign favourable sets.
- 4: **while** $(M' \neq \emptyset)$ **AND** $(i < n)$ **AND** $(M'$ is trilean) **AND** $(v(M') \neq 0)$ **do** ► Assign flexible sets.
- 5: Let S be an inclusion-wise maximal subset such that $v(S) = 0$.
- 6: Pick any $x \notin S$. $A_i = S \cup \{x\}$, $M' = M' \setminus A_i$. ► $v(A_i) = 1 \rightarrow 0$.
- 7: $i = i + 1$
- 8: **if** $(M' = \emptyset)$ **then**
- 9: **return** allocation A .
- 10: **if** $(v(M') = 0)$ **then**
- 11: $A_i = M'$, **return** allocation A .
- 12: **if** $(i == n)$ **then**
- 13: $A_i = M'$, $A = \text{FixEF1ViolationsPos}(A)$, **return** allocation A .
- 14: **if** $(M'$ is Boolean $\{0, 1\}$ -valued) **then**
- 15: $A = \text{Algorithm BooleanEF1}(M', N \setminus [i - 1], \mathcal{V})$, **return** allocation A .

Algorithm TrileanPosEF1 terminates in one of four places — Lines 9, 11, 13 and 15. The

subsequent claim shows that if the algorithm terminates at Line 9, Line 11, or Line 15, the allocation returned is EF1.

► **Claim 21.** *If Algorithm TrileanPosEF1 terminates at Line 9, Line 11, or Line 15, the allocation returned is EF1.*

Proof. Prior to Lines 9 and 11, agents with non-empty bundles had already been allocated either favourable sets or flexible sets in the preceding while loops. In the execution of Lines 9 or 11, every remaining agent is either unassigned or assigned a zero-valued bundle. From Lemma 19, there is no EF1 violation between favourable, flexible, and zero-valued sets. Hence, the resulting allocation is EF1.

Let us consider the case in which the algorithm terminates at Line 15. Prior to the execution of this line, suppose k is the last agent to be allocated in the while loop. Then agents $1, \dots, k$ are either favourable or flexible. After Line 15 executes, according to Proposition 20, either agents $k + 1, \dots, n$ are in $\text{Flex} \cup \text{Zero}$, or agents $k + 1, \dots, n - 1$ are in Flex , and A_n is Boolean-valued ($v(A_n) = 0$ or $v(A_n) = 1$). Using Lemma 19, we can conclude that the allocation returned in this case is EF1. ◀

If Line 13 executes, then prior to calling $\text{FixEF1ViolationsPos}(A)$, agents $1, \dots, n - 1$ are assigned either favourable or flexible bundles. Thus, by Lemma 19, any EF1 violation necessarily involves agent n . The following claim describes the possible EF1 violations before the $\text{FixEF1ViolationsPos}$ algorithm is invoked.

► **Claim 22.** *Let A be the allocation given as input to Algorithm 6. Then any EF1 violation must be of the following type:*

- *Agent $i \in [n - 1]$ is in Flex and agent n is in Bad . All other agents are favourable or flexible.*

Proof. At Line 13, before calling $\text{FixEF1ViolationsPos}(A)$, agents $1, \dots, n - 1$ are assigned either favourable or flexible bundles. According to Lemma 19, a flexible bundle can only have an EF1 violation with a bad bundle. Therefore, if any EF1 violation is present, it must occur between an agent $i \in \text{Flex}$ and agent $n \in \text{Bad}$. ◀

Algorithm 6 then resolves EF1 violations that may exist. According to Claim 22, such violations involve agent n with a bad bundle ($v(A_n) = 2 \rightarrow 2$) and another agent i with a flexible bundle ($v(A_i) = 1 \rightarrow 0$). To resolve EF1 violations, the algorithm picks an agent $i \in \text{Flex}$ and transfers items from A_n to A_i , until at least one of them is in Res (has value $2 \rightarrow 1$). If agent n is in Res , then we have obtained an EF1 allocation. Otherwise, the number of agents in Flex is decreased. The algorithm then picks an agent $i \in \text{Flex}$ and continues transferring items from A_n to A_i .

As earlier, we call the `repeat...until` loop in the algorithm the *inner* loop, and the while loop the *outer* loop. We claim that upon termination of an inner loop, either agent n is in Res ($v(A_n) = 2 \rightarrow 1$) and the algorithm concludes with an EF1 allocation, or the selected agent i is in Res while agent n remains in Bad . Our next claim shows that the inner `repeat...until` loop runs for at most $|A_n| - 2$ iterations over all iterations of the outer while loop.

► **Claim 23.** *Let $t = |A_n|$ be the size of A_n initially. The inner loop terminates in at most $t - 2$ iterations over all invocations.*

Proof. In every iteration of an inner loop, an item is removed from A_n and transferred to A_i , where A_i is the bundle of an agent i selected from Flex . At the beginning, we have

Algorithm 6 FixEF1ViolationsPos

Input: An allocation A with possible EF1 violations.

Output: An EF1 allocation A .

```

1: if (Allocation  $A$  is EF1) then
2:   return allocation  $A$ .
3: if ( $n \in \text{Bad}$ ) AND ( $\text{Flex} \neq \emptyset$ ) then           ▶  $v(A_n) = 2 \Rightarrow 2$  and  $\exists i : v(A_i) = 1 \rightarrow 0$ 
4:   while ( $n \in \text{Bad}$ ) AND ( $\text{Flex} \neq \emptyset$ ) do
5:     Let  $i \in \text{Flex}$ .
6:     repeat
7:       Choose an item  $x \in A_n$ ,  $A_n = A_n \setminus \{x\}$ ,  $A_i = A_i \cup \{x\}$ .
8:     until ( $i \in \text{Res}$ ) OR ( $n \in \text{Res}$ )           ▶ Either ( $v(A_i) = 2 \rightarrow 1$ ) or ( $v(A_n) = 2 \rightarrow 1$ ).
9:   return allocation  $A$ .

```

$v(A_n) = 2 \Rightarrow 2$. Since all favourable sets have already been allocated, there is no set $S \subseteq A_n$ with $v(S) = 2 \rightarrow 0$. This also implies that there is no set $S \subseteq A_n$ with $|S| = 1$ and $v(S) = 2$. Note that if $v(A_n) \neq 2 \Rightarrow 2$, then it must be that $v(A_n) = 2 \rightarrow 1$. Thus if the inner loop has not terminated after $t - 2$ iterations, then $|A_n| = 2$, $v(A_n) = 2$, and after removing any child x of A_n , we have $v(A_n \setminus \{x\}) = 1$, and hence the loop terminates. ◀

▶ **Claim 24.** *After every iteration of the while loop (Line 8) in Algorithm 6, either agent n moves from Bad to Res and the algorithm returns an EF1 allocation, or agent i moves from Flex to Res and agent n remains in Bad.*

Proof. The proof of this claim will closely follow the proof of Claim 12. Before proving the claim, we show how the values for the agents change as items are transferred in the inner loop. Let A^0 be the initial allocation passed to Algorithm FixEF1ViolationsPos. In this allocation, each flexible agent is assigned their bundle in the second while loop in Algorithm 5. Let i be such a flexible agent, and let M' be the set of remaining items from which agent i is allocated. Since agent i receives a maximal set such that $v(A_i^0) = 1 \rightarrow 0$, for any subset of items $S \subseteq M' \setminus A_i^0$, $v(A_i^0 \cup S) \neq 0$. Specifically, for $S \subseteq A_n^0$, $v(A_i^0 \cup S) \neq 0$. Therefore, for any $S \subseteq A_n^0$, either $v(A_i^0 \cup S) = 1$, or $v(A_i^0 \cup S) = 2 \rightarrow 1$ (i is moved to Res and the inner loop terminates).

In A^0 , agent n has bundle value $v(A_n^0) = 2 \Rightarrow 2$. Since favourable sets have already been allocated, as we remove items from A_n , we must encounter a 1 before we encounter a 0. Thus for any $S \subseteq A_n^0$, either $v(A_n^0 \setminus S) = 2 \Rightarrow 2$, or $v(A_n^0 \setminus S) = 2 \rightarrow 1$ (n is moved to Res and the inner loop terminates).

Similar to the proof of Claim 12, this claim can be proven using induction on the number of iterations of the outer while loop. ◀

Proof of Theorem 13. We show that Algorithm TrileanPosEF1 returns the necessary allocation. If the algorithm terminates at Line 9, Line 11, or Line 15, then by Claim 21, the allocation returned is EF1.

Consider the case in which the algorithm executes Line 13. After assigning the remaining set of items to the last agent, EF1 violations could possibly occur. By Claim 22, any such violation must involve agent n with $n \in \text{Bad}$ and another agent $i \in \text{Flex}$. To resolve such violations Algorithm FixEF1ViolationsPos is invoked. In the while loop (at Line 4), an agent i from Flex is selected. By Claim 24, each time the inner loop terminates, either agent n moves from Bad to Res and the algorithm returns an EF1 allocation, or agent i moves from Flex to Res and agent n continues to remain in Bad. Therefore, at the termination of the

algorithm either agent n moves from Bad to Res, in which case we obtain an EF1 allocation, or all agents in Flex move to Res. In that case, all agents are Fav, Res, or Bad. By Lemma 19, this allocation is EF1. ◀

A.4 Separable Single-Peaked Valuations

We present the missing proofs for separable single-peaked valuations.

Agents with Identical Thresholds

In this case, for each type j , there is a common threshold θ_j for each agent. Then agent i 's valuation $v_i(A_i) = \sum_{j=1}^t v_{ij}(a_{ij})$, where the valuations v_{ij} are single-peaked: for all $x \leq y \leq \theta_j$, $v_{ij}(x) \leq v_{ij}(y)$, while for $\theta_j \leq x \leq y$, $v_{ij}(x) \geq v_{ij}(y)$.

For the algorithm, given a partial allocation A , as in prior work, we let $G_A = (V, E)$ denote the envy graph, where $V = N$ and $(i, k) \in E$ if agent i envies agent k . T_A is the top-trading envy graph, a subgraph of G_A with a directed edge (i, k) if $v_i(A_k) = \max_{i' \in N} v_i(A_{i'}) > v_i(A_i)$. Given a directed cycle C in G_A or T_A , A_C is the allocation obtained by giving each agent in C the bundle of the agent they envy in C .

■ **Algorithm 7** An EF1 algorithm for SSP valuations with identical thresholds

```

1: Initialise  $A_i$  to  $(0, 0, \dots, 0) \forall i = 1, 2, \dots, n$ 
2: Initialise  $\hat{m}_j \leftarrow m_j \forall j \in [t]$ 
3: for all  $j \in [t]$  do ▶ Phase 1
4:   while  $\hat{m}_j > 0$  do
5:     while  $G_A$  has a cycle  $C$  do
6:        $A \leftarrow A_C$  ▶ Swap bundles along  $C$ 
7:        $N_j = \{i \in N : a_{ij} < \theta_j\}$ 
8:       if  $|N_j| > 0$  then
9:         Let  $G_A^j$  be the envy graph restricted to  $N_j$ 
10:        Choose a source in  $G_A^j$ , say  $p$ 
11:         $a_{pj} \leftarrow a_{pj} + 1$ 
12:         $\hat{m}_j \leftarrow \hat{m}_j - 1$ 
13:       else
14:         Break
15:   for all  $j \in [t]$  do ▶ Phase 2
16:     while  $\hat{m}_j > 0$  do
17:       while  $T_A$  has a cycle  $C$  do
18:          $A \leftarrow A_C$  ▶ Swap bundles along  $C$ 
19:         Choose a sink  $k$  in the graph  $G_A$ 
20:          $a_{kj} \leftarrow a_{kj} + 1$ 
21:          $\hat{m}_j \leftarrow \hat{m}_j - 1$ 
22: Return  $A$ 

```

▶ **Theorem 14.** *For SSP valuations where for each type, there is a common threshold for all agents, there always exists an EF1 allocation.*

The proof of Theorem 14 follows from Lemma 25 and Lemma 26. We note that while the algorithm is as for doubly monotone valuations, the analysis is much more subtle, as shown in the example earlier.

► **Lemma 25.** *Let A be the (partial) allocation at any point in Phase 1 (i.e., in the first for all loop). Then if agent r envies agent s , then the envy can be resolved by removal of a single item from agent s 's bundle.*

Proof. The proof is by induction. Initially, each $A_i = (0, 0, \dots, 0)$ and the statement clearly holds. We consider the steps in Phase 1 that change the allocation and show that the statement holds. Note also that the number of items of type j in a bundle never exceeds θ_j , since for an agent i , if $a_{ij} = \theta_j$, then agent $i \notin N_j$, and i does not get another item of type j .

Now suppose agent r envies agent s in A . The allocations change either when an envy cycle is resolved, or when an item is assigned. If an envy cycle C is resolved, one can verify that the property in the lemma still holds, since if r is not in C , from her perspective the allocation does not change; while if $r \in C$, her value goes up, while the value of other bundles remains unchanged.

Suppose an item of type j is assigned to agent p . Let A' be the allocation just prior to the allocation, and let \hat{A} be the allocation after the assignment of type $j - 1$ in Phase 1. If $r = p$, her valuation simply increased in A wrt A' , and hence EF1 follows by induction. If $s = p$, then p is a source in $G_{A'}^j$. Let us now consider two subcases for the allocation A' : (i) $r \notin N_j$, and (ii) $r \in N_j$. In Subcase (i), recalling that the number of items of type j in a bundle never exceeds θ_j in Phase 1, we have $a_{rj} = a'_{rj} = \theta_j$. Then $v_r(A_r) = v_r(\hat{A}_r) + v_{rj}(\theta_j) < v_r(A_p) = v_r(\hat{A}_p) + v_{rj}(A_{pj}) < v_r(\hat{A}_p) + v_{rj}(\theta_j)$. Hence, r envies s even in \hat{A} , i.e., prior to type j assignments. Since the lemma holds for \hat{A} , $\exists x \in \hat{A}_p$ such that $v_r(\hat{A}_p \setminus \{x\}) \leq v_r(\hat{A}_r)$. Then, $v_r(A_p \setminus \{x\}) \leq v_r(\hat{A}_p \setminus \{x\}) + v_{rj}(\theta_j) \leq v_r(\hat{A}_r) + v_{rj}(\theta_j) = v_r(A_r)$, and hence removing item x eliminates the envy in allocation A as well.

In Subcase (ii), the envy from agent r to s can be eliminated by removing the newly assigned item. Hence the lemma holds inductively. ◀

► **Lemma 26.** *Let A be the (partial) allocation at any point in Phase 2 (i.e., in the second for all loop). Then if agent r envies agent s , then the envy can be resolved by removal of a single item from either of the bundles.*

Proof. Fix a type j . Note that at the end of Phase 1, either $\hat{m}_j = 0$, or for each agent i , $a_{ij} = \theta_j$.

The proof is now by induction. At the beginning of Phase 2, we have an EF1 allocation that is obtained post Phase 1. Hence, the statement holds true. It can be easily verified that the elimination of top-trading envy cycles preserves EF1 and also guarantees a sink in the envy graph. Suppose A is the allocation obtained after allotment of an item of type j and suppose A' is the allocation just before the allotment of the item. By induction hypothesis, the statement holds for A' . Suppose agent r envies agent s in A . If $r, s \neq k$, then the statement trivially holds as in A' . We have to examine the rest of the cases.

1. $r = k$. Since k was a sink in $G_{A'}$, she did not envy s in A' . Hence this envy can be resolved by removing the most recently allocated item.
2. $s = k$. Note that both a'_{rj} and a'_{sj} are at least θ_j . Hence if r envies s in allocation A , this must be true of allocation A' as well, since the value of s 's bundle has decreased for r . We now consider two subcases here, depending on whether $a'_{sj} > \theta_j$ or $a'_{sj} = \theta_j$. In Subcase (i), if $a'_{sj} > \theta_j$, then removal of an item of type j from A'_s would only increase the bundle's value for any agent. Hence, by the induction hypothesis, since $v_r(A'_s) > v_r(A'_r)$, the envy is resolved by either removing an item of type $j' \neq j$ from s , or by removing an item from agent r . In either case, this continues to hold true for allocation A as well. In Subcase (ii), $a'_{sj} = \theta_j$ and $a'_{rj} \geq \theta_j$. Consider the last step where r did not envy s , and let \hat{A} be this allocation. Thus, $v_r(\hat{A}_r) \geq v_r(\hat{A}_s)$. If this last step was in Phase 2,

then immediately following this step, agent r receives an item x and envies s . Removing this item x from agent r 's bundle clearly removes the envy. Further, following this step, the value of agent s 's bundle can only decrease for r (since all items are added past the threshold). Since r continues to envy s , agent r receives no more items. Hence removing item x from r 's bundle removes any envy.

Now assume the last step where r did not envy s was in Phase 1, either before or after type j items were assigned. Then immediately following this last step, agent s was assigned an item x of type $j' \neq j$, and the removal of this item x removes the newly created envy. Further, since r envies s following the allocation of item x , agent r 's value for her own bundle has not decreased (since r has never been a sink), and agent r 's value for s 's bundle has not increased (since s has never been a source). Hence, removing item x from the current bundle A also removes envy, i.e., $v_r(A_r) \geq v_r(A_s \setminus \{x\})$.

Lastly, suppose the last step where r did not envy s was in Phase 1, during the assignment of items of type j . Then r envies agent s after type j items are assigned in Phase 1 as well. Since both r and s get exactly θ_j items of type j in Phase 1, this envy exists before any items of type j are assigned in Phase 1. Hence, as previously, there exists $x \in A_s$ of type $j' \neq j$, the removal of which removes envy. ◀