

An unconditional distribution learning advantage with shallow quantum circuits

N. Pirnay,¹ S. Jerbi,² J.-P. Seifert,¹ and J. Eisert^{2,3,4}

¹*Electrical Engineering and Computer Science, Technische Universität Berlin, Berlin, 10587, Germany*

²*Dahlem Center for Complex Quantum Systems, Freie Universität Berlin, 14195 Berlin, Germany*

³*Fraunhofer Heinrich Hertz Institute, 10587 Berlin, Germany*

⁴*Helmholtz-Zentrum Berlin für Materialien und Energie, 14109 Berlin, Germany*

One of the core challenges of research in quantum computing is concerned with the question whether quantum advantages can be found for near-term quantum circuits that have implications for practical applications. Motivated by this mindset, in this work, we prove an unconditional quantum advantage in the *probably approximately correct* (PAC) distribution learning framework with shallow quantum circuit hypotheses. We identify a meaningful generative distribution learning problem where constant-depth quantum circuits using one and two qubit gates (QNC^0) are superior compared to constant-depth bounded fan-in classical circuits (NC^0) as a choice for hypothesis classes. We hence prove a PAC distribution learning separation for shallow quantum circuits over shallow classical circuits. We do so by building on recent results by Bene Watts and Parham on unconditional quantum advantages for sampling tasks with shallow circuits, which we technically uplift to a hyperplane learning problem, identifying non-local correlations as the origin of the quantum advantage.

I. INTRODUCTION

Machine learning has changed the world we live in: It is relevant for most algorithms that make predictions based on past training data. With quantum algorithms having been proven to provide super-polynomial advantages for certain highly structured [1, 2] or largely paradigmatic sampling [3, 4] problems, it is an extremely natural question to ask to what extent near-term quantum computers may assist in tackling machine learning tasks that have a practical inclination. This is a core theme of the emergent field of quantum machine learning [5, 6]. Identifying such advantages is, however, much less of a straightforward task that one might think: Quantum computers are known to be good at addressing highly structured problems, while machine learning algorithms are generalizing from samples [7]. Also, such advantages of quantum over classical algorithms could come in the flavor of advantages in sample complexity, in computational complexity, or in generalization.

For some highly structured data, it has been shown that quantum computers indeed offer such super-polynomial advantages in computational complexity for meaningful and well-defined learning tasks with classical data [8]. This is true in particular for *probably approximately correct* (PAC) generator [9] and density modeling [10] as well as for classification tasks [11] and reinforcement learning [12]. These quantum algorithms provide fair and sound advantages over all possible classical algorithms that can be proven under plausible and mild technical assumptions. These insights are motivating for the field, in that they show that one can expect advantages of this type to be possible. That said, they work for data only that are precisely engineered and not very plausible from a practical perspective. Above all, they resort to full fault tolerant quantum computers, which to date are still fictitious machines.

For this reason, one of the core questions of the field—

if not the most important one at the present stage—is to find out whether shallow quantum circuits may offer quantum advantages that are plausible for near-term quantum architectures. The little we know about this important question to date lets us take a rather pessimistic viewpoint [13]. The need for such results is aggravated by the observation that in the absence of quantum error correction, there is increasing evidence that all one has are logarithmically deep quantum circuits before the effect of quantum noise sets in Refs. [14, 15], rendering potential quantum advantages void. So, can we hope short quantum circuits to offer advantages in quantum machine learning?

In this work, we answer the question to the affirmative. We do so by strongly building on the results of Refs. [16, 17] that show unconditional quantum advantages for evaluating certain functions and for sampling tasks. Building on this work, the quantum learnability of constant-depth classical circuits has been considered [18]. Such studies are here brought to a new level in the distribution learning context, by adding a new technical twist: We introduce a hyperplane learning problem that allows to uplift the sampling problem at hand to a meaningful PAC distribution learning problem.

Specifically, we formulate a class of generative PAC distribution learning problems, where we are given examples from some unknown distribution in a distribution class. The goal is to output a generator for that distribution, that is, some hypothesis exposing an output distribution which is close to the unknown target distribution. We show that we can learn a constant-depth quantum circuit, consisting of one and two qubit gates, which achieves a level of accuracy arbitrarily close to the target distribution. In contrast, any classical circuit with constant depth and bounded fan-in gates is shown to achieve less proximity to the target distribution. Thus, showing an advantage of QNC^0 over NC^0 as hypothesis classes.

Ultimately, we will identify the *non-local correlations* in quantum states that can be prepared with constant-

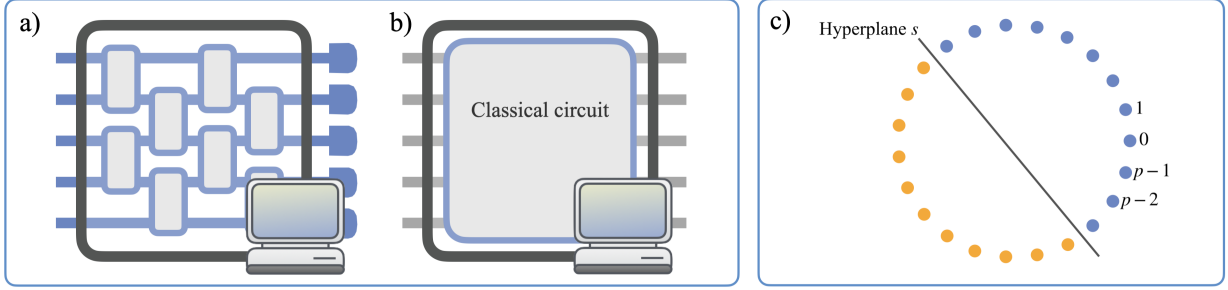


Figure 1. a) Constant depth quantum circuits with one- and two-qubit gates are compared with b) constant-depth bounded fan-in classical circuits. c) The $\text{majmod}_{p,s}(x)$ function acting on the finite field \mathbb{F}_p . In this case, $p = 23$ and $s = 3$. The points are elements in \mathbb{F}_p and are blue or orange if $\text{majmod}_{p,s}(x) = 0$ or 1, respectively.

depth circuits as the source of the quantum advantage. The state prepared is not quite a GHZ state, as this is not within reach for constant depth quantum circuits [19] as the GHZ state qualifies as being a ‘topological state’ [20]. But with quantum circuits assisted by measurements and conditioned quantum dynamics, this is possible. Instead, what is called a ‘binary tree poor man’s GHZ state’ is being prepared. Seen in this way, our work is also interesting from the perspective of the role of *measurements* in quantum computing [21] – a question that is presently much discussed in research on quantum computing and condensed matter physics: While we do not make use of mid-circuit measurements, in the preparation of the above state, measurements still play an important role in the preparation.

II. PRELIMINARIES

Throughout this work, we will be concerned with tasks of learning probability distributions, as is common in mathematical learning theory. We begin by giving the definition for a *generator* of a distribution.

Definition 1 (Generator for D). *Let D be a discrete probability distribution over $\{0, 1\}^n$ and U be the uniform distribution. A generator for D is any function $\text{GEN}_D : \{0, 1\}^m \rightarrow \{0, 1\}^n$ that on uniformly random inputs outputs samples according to D , i.e.,*

$$\Pr_{x \sim U(\{0,1\}^m)} [\text{GEN}_D(x) = y] = D(y). \quad (1)$$

In this work, we are primarily interested two classes of generators: QNC^0 , which are constant-depth *quantum* circuits that consist of one and two qubit gates, and NC^0 , which are constant-depth *classical* with bounded fan-in gates. Let us now define *PAC learning* of a generator.

Definition 2 ((ϵ, δ) -PAC generator learner for \mathcal{D}). *Let \mathcal{D} be a class of discrete probability distributions over $\{0, 1\}^n$. Given some fixed $\epsilon, \delta \in (0, 1)$ an algorithm \mathcal{A} is an (ϵ, δ) -PAC generator (GEN) learner of \mathcal{D} , if for*

all $D \in \mathcal{D}$, when given access to samples from D , with probability at least $1 - \delta$, \mathcal{A} outputs a generator for some distribution D' , satisfying

$$d_{TV}(D, D') \leq \epsilon. \quad (2)$$

We call \mathcal{A} an efficient (ϵ, δ) -PAC generator learner for \mathcal{D} if its time (and sample) complexity are $O(\text{poly}(n))$. We say that \mathcal{D} is (ϵ, δ) -PAC generator learnable with \mathcal{H} , if an efficient \mathcal{A} exists and if we constrain the generator to some generator class \mathcal{H} .

In this work, we construct a class of distributions that are PAC generator learnable with arbitrary low precision ϵ and failure probability δ , if the generator is chosen from QNC^0 . If, however, the generator is chosen from NC^0 , such ϵ, δ are not achievable.

III. FROM SAMPLING ADVANTAGE TO LEARNING ADVANTAGE

The learning separation proven here derives from a separation in a sampling problem. Watts and Parham [17] introduce a class of distributions $\{D_n\}$, for which they show that, asymptotically in n , a constant-depth quantum circuit samples approximately from D_n with higher fidelity than any constant-depth classical circuit could. To be more precise, Ref. [17] proves the following theorem.

Theorem 3 (Theorem 3 in Ref. [17]). *For each $\delta \in (0, 1)$, there exists a family of distributions $\{D_n\}$ such that for each $n \in \mathbb{N}$, D_n is a distribution over $\{0, 1\}^n$ and*

1. *There exists a constant-depth quantum circuit which takes state vector $|0^n\rangle$ as input and produces a distribution which has total variation distance at most $\frac{1}{6} + O(n^{-c})$ from D_n for some $c \in (0, 1)$.*
2. *Each classical circuit with fan-in 2 which takes $n + n^\delta$ random bits as input and has total variation distance at most $\frac{1}{2} - \omega(1/\log n)$ from D_n has depth $\Omega(\log \log n)$.*

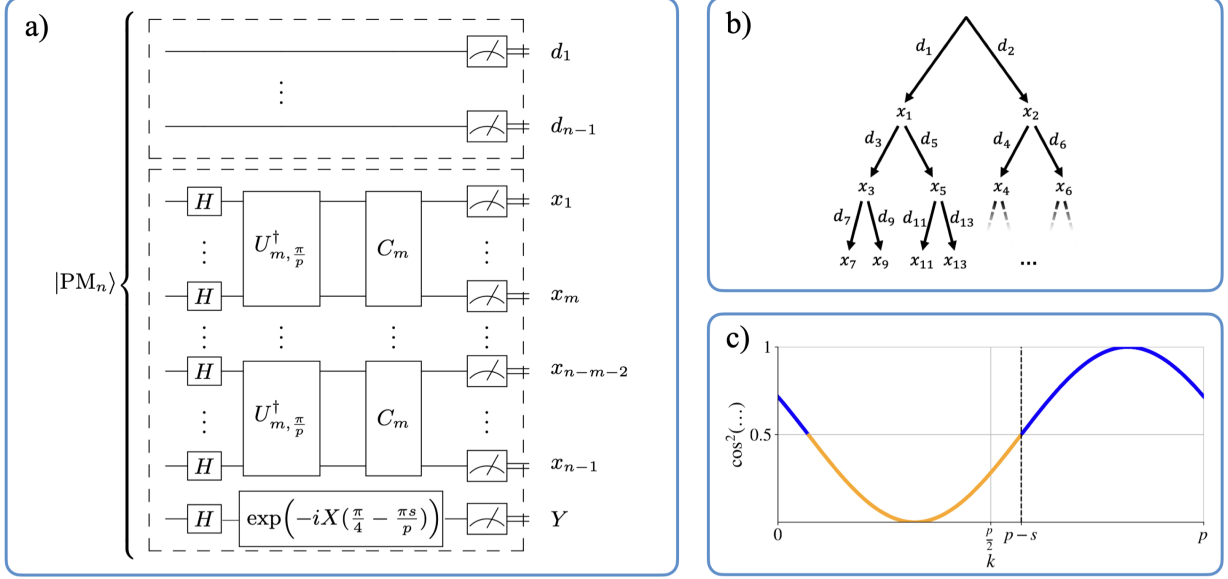


Figure 2. a) Unitary circuit producing the target distribution $D_{n,p,s}$. The upper box indicates the $n - 1$ “edge” qubits of the state vector $|\text{PM}_n\rangle$. The lower box indicates the n “vertex” qubits of the same state. Note that the input state vector $|\text{PM}_n\rangle$ can be prepared in constant-depth, following [Theorem 4](#). The gates $U_{m, \frac{\pi}{p}}$ and C_m act on blocks of $m = \lceil 2/c + 1 \rceil$ qubits and are defined in [Appendix A](#). b) Balanced binary tree, where the vertices and edges are assigned to the binary variables x_1, \dots, x_{n-1} and d_1, \dots, d_{n-1} , respectively. c) Visualization of $\cos^2(-\frac{\pi}{4} + \frac{\pi}{p}(k + s))$. The blue and orange portions of the plot signal the $\text{majmod}_{p,s}(k) = 0$ and 1 values, respectively, as in [Fig. 1.c](#).

Effectively, Watts and Parham [17] show an unconditional *sampling* advantage of QNC^0 over NC^0 . In our work, we are interested in PAC generator *learning* problems. So the question is, how do we obtain a learning advantage from the sampling advantage? From [Theorem 3](#) we can actually directly construct a PAC generator learning problem, simply by taking the distribution class to be learned to consist of exactly one distribution D_n for every n . However, it is hardly a learning task when the distribution class consists only of one distribution per problem size. To introduce a genuine learning task into the ideas of Ref. [17], we introduce a hyperplane learning problem into the “majority mod p ” function. The “majority mod p ” function is central in the constructions in Ref. [17] and we generalize it to “majority mod p under hyperplane s ”. That is, we introduce the function

$$\text{majmod}_{p,s}(x) = \begin{cases} 0, & \text{if } |x| + s < p/2 \pmod{p}, \\ 1, & \text{if } |x| + s > p/2 \pmod{p}, \end{cases} \quad (3)$$

for each $x \in \{0, 1\}^{n-1}$, prime p and $s \in \mathbb{F}_p$, where \mathbb{F}_p denotes the standard finite field of order p . We will occasionally abuse the notation and allow $\text{majmod}_{p,s}$ to take an *integer* argument that replaces $|x|$ in the calculation of the function, i.e., $\text{majmod}_{p,s}(x) = \text{majmod}_{p,s}(|x|)$. [Figure 1](#) shows the behavior of the $\text{majmod}_{p,s}$ function. Following Ref. [17], we define the distribution

$$D_n := (x, \text{majmod}_{p,s}(x) \oplus \text{parity}(x))_{x \sim U}. \quad (4)$$

Now, if we want to learn a generator for D_n , when n, p are given, one needs to learn the hyperplane s from m examples of D_n . It is straightforward to generalize the proofs in Ref. [17] to obtain the hardness to learn a classical constant-depth generator for D_n . At the same time, one can easily come up with a simple algorithm to learn D_n with generator formed by a constant-depth quantum circuit. However, the result would still suffer from the limitations of [Theorem 3](#), where the quantum generator would be able to approximate the target distribution better than the classical generator, but up to an error that cannot be made arbitrarily small (below $\frac{1}{6}$).

Conversely, in the PAC learning setting, we require that for some probability of failure δ , we can make the error ϵ arbitrarily low (usually by taking more examples). Inspired by these observations, we will, in the subsequent sections, introduce a new target distribution class, for which we show that we can learn constant-depth quantum generators, that generate the target distributions (with arbitrary precision). At the same time, we show that any constant-depth classical generator cannot approximate the target distributions up to some constant error.

A. PAC generator learning advantage of QNC^0 over NC^0

To obtain a PAC learning advantage with QNC^0 with arbitrary precision, in what follows, we will first provide

to equal $\oplus(x)$ when $\text{majmod}_{p,s}(k) = 0$ and $\overline{\oplus(x)}$ otherwise.

Now, we are in a position to define our *target distribution class* as

$$\mathcal{D} := \{D_{n,p,s} \mid n \in \mathbb{N}, p \in \mathbb{Z}^+, s \in \mathbb{F}_p, p \text{ is prime}\}. \quad (10)$$

The distribution $D_{n,p,s}$ is given by the Born distribution of the unitary constant-depth quantum circuit in Fig. 2 a). A direct corollary of this and Theorem 4 is the following statement.

Corollary 6 (Optimal quantum circuit). *The optimal quantum circuit to generate the distribution $D_{n,p,s}$ is at most constant-depth.*

C. PAC generator learning algorithm for \mathcal{D} with QNC^0

We now proceed by presenting an explicit learning algorithm that learns s from examples of $D_{n,p,s}$. From the knowledge of s , one can then trivially construct a generator for $D_{n,p,s}$ in QNC^0 , by simply using the quantum circuit in Fig. 2 a).

Theorem III.1 (PAC generator learning algorithm of the quantum distribution). *There exists a polynomial-time PAC generator learning algorithm for \mathcal{D} , that for sufficiently large $p \in O(n^{1/3})$, any $\delta > 0$, and any $s \in \mathbb{F}_p$, outputs a description of a constant-depth quantum circuit whose Born distribution D' satisfies*

$$\Delta(D_{n,p,s}, D') = 0 \quad (11)$$

with probability $1 - \delta$, and which uses $M \in O(p^4 \log(\frac{p}{\delta}))$ examples of $D_{n,p,s}$.

The full proof can be found in Appendix B, but we give a high level overview of the ideas. We are given M examples from the discrete distribution $D_{n,p,s}$ and n, p . From Equation (9), we know that under some approximate distribution P , conditioned on a given value of (d, x) , the probability to observe $(d, x, \oplus(x))$ is $f(k) = \cos^2(-\frac{\pi}{4} + \frac{\pi}{p}(k+s))$ for

$$k = \sum_{i=0}^{n-1} x_i (-1)^{h(d)i} \bmod p. \quad (12)$$

The strategy for the learning algorithm is essentially to estimate $f(k)$, for $k = 1, \dots, p$, from the M examples drawn from $D_{n,p,s}$. Then, as depicted in Fig. 2.c), we can identify $k^* = p - s \bmod p$ as the coordinate for which $f(k^*) = 1/2$ and $f(k^* + 1) > 1/2$. This way, we recover $s = p - k^* \bmod p$. The only difficulty is in computing the values $f(k)$ to sufficient precision from examples. We show that $M = O(p^4 \log(\frac{p}{\delta}))$ examples are sufficient to guarantee enough precision to identify s with probability

$1 - \delta$. Then we can output the quantum circuit in Fig. 2 a), as the generator in QNC^0 . Since this circuit is exactly the circuit that generated the target distribution, we obtain an error $\epsilon = 0$.

D. Classical hardness

To show the classical hardness of PAC generator learning \mathcal{D} with NC^0 , it suffices to show that, even for a fixed value of s , the distributions $D_{n,p,s}$ are not in NC^0 . We thus can directly take the hardness result of Theorem 34 from Ref. [17].

Theorem 7 (Classical hardness of PAC learning). *For each $\delta < 1$, there exists an $\epsilon > 0$ such that for all sufficiently large even integer $N = 2n - 2$ and prime number $p = \Theta(N^\alpha)$ for $\alpha \in (\delta/3, 1/3)$: Let $f : \{0, 1\}^\ell \rightarrow \{0, 1\}^{N+1}$ be an $(\epsilon \log N)^{1/2}$ -local function, with $\ell \leq N + N^\delta$. Then $\Delta(f(U), (Z, \text{pmmajmod}_{p,s=0}(Z))) \geq 1/2 - O(1/\log N)$.*

For a d -local function, each output bit depends on at most d input bits. Intuitively, the theorem above states that there exist no constant-depth classical circuits that can asymptotically sample from the distribution $(Z, \text{pmmajmod}_{p,s=0}(Z))$ up to good fidelity, as constant-depth circuit are $O(1)$ -local. The proof for the theorem above in Ref. [17] originally stems from the hardness proof in Ref. [22] with the major modification of considering the ‘‘poor man’s majority mod p ’’ function instead of the ‘‘majority mod p ’’ function. Their modification accommodates the fact that the terms in the ‘‘poor man’s majority mod p ’’ function no longer depend on disjoint variables by partitioning the balanced binary tree associated with Z into sub-trees, and then identify sub-trees corresponding to output variables which are independent when a large chunk of the input variables are fixed.

IV. RESULTS

We are now in a position to state our main result, which is a meaningful advantage of a shallow quantum circuit over instances of classical circuits in a well-defined learning task.

Theorem IV.1 (Advantage of shallow quantum hypotheses). *For the problem of learning a constant-depth generator for the distribution class \mathcal{D} , the hypothesis choice of QNC^0 over NC^0 yields an advantage in total variation distance of at least*

$$\frac{1}{\pi} - O\left(\frac{1}{\log n}\right).$$

Proof. Due to [Theorem 5](#), we know that

$$\begin{aligned} \Delta(D_{n,p,s}, (Z, \text{pmmajmod}_{p,s}(Z))) & \quad (13) \\ & \leq \frac{1}{2} - \frac{1}{\pi} + O(n^{-c}) \end{aligned}$$

for some constant $c \in (0, 1/3)$, and due to [Theorem 7](#) we know that

$$\begin{aligned} \Delta(f(U), (Z, \text{pmmajmod}_{p,s}(Z))) & \quad (14) \\ & \geq 1/2 - O\left(\frac{1}{\log N}\right), \end{aligned}$$

where f is any $(\epsilon \log N)^{1/2}$ -local function. It follows from the reverse triangle inequality that

$$\begin{aligned} \Delta(f(U), D_{n,p,s}) & \\ & \geq \frac{1}{\pi} - O(n^{-c}) - O\left(\frac{1}{\log N}\right) \\ & \geq \frac{1}{\pi} - O\left(\frac{1}{\log n}\right). \end{aligned} \quad (15)$$

Since $D_{n,p,s}$ is generated by the constant-depth quantum circuit in [Fig. 2 a\)](#), and we can learn that circuit from examples to perfect precision, due to [Theorem III.1](#), we obtain the advantage gap as in [Eq. \(15\)](#) for learning a generator for the target distribution class \mathcal{D} using constant-depth quantum circuits instead of constant-depth classical circuits. \square

V. SUMMARY AND DISCUSSION

One of the core questions of research on quantum computing is concerned with the question whether one can meaningfully identify a quantum advantage in near-term devices that relates to a problem that has a practical flavor. In this work, we have identified a learning problem in which well-defined families of constant-depth quantum circuits feature an advantage over families of constant-depth classical circuits. This problem is a meaningful and

mathematically well-defined machine learning problem in the PAC generator learning sense.

It is important to note that learning with constant-depth hypotheses is also regularly studied in classical learning theory [\[23\]](#). In fact, the concept class studied in this work is polynomial in size (in the problem parameters), which is also a common setting for showing learning advantages in the classical PAC literature [\[24\]](#). In this way, the separation proven here between quantum and classical learners naturally ties in with the literature on classical mathematical learning theory.

So our work answers the question whether quantum advantages in machine learning problems with short quantum circuits can be found to the affirmative. This leaves a lot of room for optimism on the use of quantum algorithms in the medium term, in particular in the light of the fact that the known results on limitations of non-error corrected quantum circuits would set in at logarithmic or poly-logarithmic depth [\[14, 15\]](#): Here, we are resorting to constant-depth quantum circuits.

That said, this result is a stepping stone in a bigger program. Ideally, one should be able to show advantages also over deeper classical circuits. Also, while the problem considered is a meaningful problem and has a practical machine learning flavor to it, it still makes use of highly structured data, similar to other work showing quantum advantages in the learning context [\[9–12\]](#). Steps have also been taken to deal with realistic and unstructured data [\[25\]](#), but again, such algorithms will presumably eventually require a fault tolerant quantum computer. More work needs to be done to bring such ideas closer to reality and the realm of unstructured data. It is the hope that the present work can serve as a further inspiration along these lines of thought.

ACKNOWLEDGEMENTS

We thank the Einstein Foundation (Einstein Research Unit on Quantum Devices), for which this is a joint node work, Berlin Quantum, the DFG (CRC 183), the BMBF (Hybrid), the BMWK (PlanQK, EniQmA), the Munich Quantum Valley, the QuantERA (HQCC), the Quantum Flagship (PasQuans2, Millenion), and the ERC (DebuQC) for support.

-
- [1] P. W. Shor, Polynomial-time algorithms for prime factorization and discrete logarithms on a quantum computer, [SIAM J. Comp.](#) **26**, 1484 (1997).
 - [2] A. Montanaro, Quantum algorithms: an overview, [npj Quant. Inf.](#) **2**, 15023 (2016).
 - [3] F. Arute *et al.*, Quantum supremacy using a programmable superconducting processor, [Nature](#) **574**, 505 (2019).
 - [4] D. Hangleiter and J. Eisert, Computational advantage of quantum random sampling, [Rev. Mod. Phys.](#) **95**, 035001 (2023).
 - [5] J. Biamonte, P. Wittek, N. Pancotti, P. Rebentrost, N. Wiebe, and S. Lloyd, Quantum machine learning, [Nature](#) **549**, 195 (2017).
 - [6] G. Carleo, I. Cirac, K. Cranmer, L. Daudet, M. Schuld, N. Tishby, L. Vogt-Maranto, and L. Zdeborová, Machine

- learning and the physical sciences, *Rev. Mod. Phys.* **91**, 045002 (2019).
- [7] M. Schuld and N. Killoran, Is quantum advantage the right goal for quantum machine learning?, *PRX Quantum* **3**, 030101 (2022).
- [8] C. Gyurik and V. Dunjko, On establishing learning separations between classical and quantum machine learning with classical data, (2022), [arXiv:2208.06339](https://arxiv.org/abs/2208.06339).
- [9] R. Sweke, J.-P. Seifert, D. Hangleiter, and J. Eisert, On the quantum versus classical learnability of discrete distributions, *Quantum* **5**, 417 (2021).
- [10] N. Pirnay, R. Sweke, J. Eisert, and J.-P. Seifert, A super-polynomial quantum-classical separation for density modelling, *Phys. Rev. A* **107**, 042416 (2023).
- [11] Y. Liu, S. Arunachalam, and K. Temme, A rigorous and robust quantum speed-up in supervised machine learning, *Nature Phys.* **17**, 1013 (2021).
- [12] S. Jerbi, C. Gyurik, S. Marshall, H. Briegel, and V. Dunjko, Parametrized quantum policies for reinforcement learning, *Adv. Neur. Inf. Proc. Sys. (NeurIPS 2021)* **34**, 28362 (2021).
- [13] M. Hinsche, M. Ioannou, A. Nietner, J. Haferkamp, Y. Quek, D. Hangleiter, J.-P. Seifert, J. Eisert, and R. Sweke, A single T-gate makes distribution learning hard, *Phys. Rev. Lett.* **130**, 240602 (2023).
- [14] D. Stilck Franca and R. García-Patrón, Limitations of optimization algorithms on noisy quantum devices, *Nature Phys.* **17**, 1221 (2020).
- [15] A. Deshpande, P. Niroula, O. Shtanko, A. V. Gorshkov, B. Fefferman, and M. J. Gullans, Tight bounds on the convergence of noisy random circuits to the uniform distribution, *PRX Quantum* **3**, 040329 (2022).
- [16] S. Bravyi, D. Gosset, and R. Koenig, Quantum advantage with shallow circuits, *Science* **362**, 308 (2018).
- [17] A. B. Watts and N. Parham, Unconditional quantum advantage for sampling with shallow circuits, (2023), [arXiv:2301.00995](https://arxiv.org/abs/2301.00995).
- [18] S. Arunachalam, A. B. Grilo, and A. Sundaram, Quantum hardness of learning shallow classical circuits, *SIAM J. Comput.* **50**, 972 (2021).
- [19] A. B. Watts, R. Kothari, L. Schaeffer, and A. Tal, Exponential separation between shallow quantum circuits and unbounded fan-in shallow classical circuits, in *Proceedings of the 51st Annual ACM SIGACT Symposium on Theory of Computing*, STOC 2019 (Association for Computing Machinery, New York, NY, USA, 2019) p. 515–526.
- [20] L. Piroli, G. Styliaris, and J. I. Cirac, Quantum circuits assisted by local operations and classical communication: Transformations and phases of matter, *Phys. Rev. Lett.* **127**, 220503 (2021).
- [21] K. C. Smith, E. Crane, N. Wiebe, and S. Girvin, Deterministic constant-depth preparation of the AKLT state on a quantum processor using fusion measurements, *PRX Quantum* **4**, 020315 (2023).
- [22] E. Viola, The complexity of distributions, *SIAM J. Comp.* **41**, 191 (2012).
- [23] N. Ding, Y. Ren, and D. Gu, Pac learning depth-3 AC^0 circuits of bounded top fanin, in *Proceedings of the 28th International Conference on Algorithmic Learning Theory*, Proceedings of Machine Learning Research, Vol. 76, edited by S. Hanneke and L. Reyzin (PMLR, 2017) pp. 667–680.
- [24] E. Mossel, R. O’Donnell, and R. P. Servedio, Learning juntas, in *Proceedings of the Thirty-Fifth Annual ACM Symposium on Theory of Computing*, STOC ’03 (Association for Computing Machinery, New York, NY, USA, 2003) p. 206–212.
- [25] J. Liu, M. Liu, J.-P. Liu, Z. Ye, Y. Wang, Y. Alexeev, J. Eisert, and L. Jiang, Towards provably efficient quantum algorithms for large-scale machine-learning models, *Nature Comm.* **15**, 434 (2024).
- [26] F. Green, S. Homer, C. Moore, and C. Pollett, Counting, fanout, and the complexity of quantum ACC (2001), [arXiv:quant-ph/0106017](https://arxiv.org/abs/quant-ph/0106017).
- [27] M. Reck, A. Zeilinger, H. J. Bernstein, and P. Bertani, Experimental realization of any discrete unitary operator, *Phys. Rev. Lett.* **73**, 58 (1994).
- [28] A. Barenco, C. H. Bennett, R. Cleve, D. P. DiVincenzo, N. Margolus, P. Shor, T. Sleator, J. A. Smolin, and H. Weinfurter, Elementary gates for quantum computation, *Phys. Rev. A* **52**, 3457 (1995).
- [29] E. G. Rieffel and W. H. Polak, *Quantum computing: A gentle introduction* (MIT press, 2011).
- [30] S. Jerbi, A. Cornelissen, M. Ozols, and V. Dunjko, Quantum policy gradient algorithms, in *18th Conference on the Theory of Quantum Computation, Communication and Cryptography (TQC 2023)*, Leibniz International Proceedings in Informatics (LIPIcs), Vol. 266, edited by O. Fawzi and M. Walter (Schloss Dagstuhl – Leibniz-Zentrum für Informatik, Dagstuhl, Germany, 2023) pp. 13:1–13:24.

Appendix A: Defining the $U_{m,\theta}$ and C_m gates

To fully understand the construction of the $U_{m,\theta}$ and C_m gates, we need to stride out a little bit. Firstly, let us consider a different gate, namely, the $A_{m,\theta}$ gate. The $A_{m,\theta}$ gate is defined by its action on the computational basis state vectors as

$$A_{\theta,m} |x_1, x_2, \dots, x_m\rangle = \exp(i\theta x_m X) |x_1\rangle \otimes \exp(i\theta x_1 X) |x_2\rangle \otimes \dots \otimes \exp(i\theta x_{m-1} X) |x_m\rangle. \quad (\text{A1})$$

Ref. [17] shows that a constant-depth circuit with $A_{m,\theta}$ gates can approximate the $(Z, \text{pmmajmod}_{n,p}(Z))$ distribution. Namely, the following statement follows from Lemma 10 and Theorem 31 of Ref. [17] and a trivial generalization to s .

Theorem 8 (Generalization of a statement of Ref. [17]). *For any $p \in \mathbb{Z}^+$ there is a constant-depth circuit consisting of one and two-qubit unitary gates and $A_{m,\theta}^\dagger$ operations (for arbitrary $m \geq 1$) which takes the $(2n-1)$ -qubit all zeros state as input and produces an output state, which when measured in the computational basis, produces a distribution P with samples of the form (Z', Y) , such that*

$$\Delta(P, (Z, \text{pmmajmod}_{p,s}(Z))) \leq \frac{1}{2} - \frac{1}{\pi} + \frac{1}{2p} + O(p^{3/2}e^{-n/4p^2}). \quad (\text{A2})$$

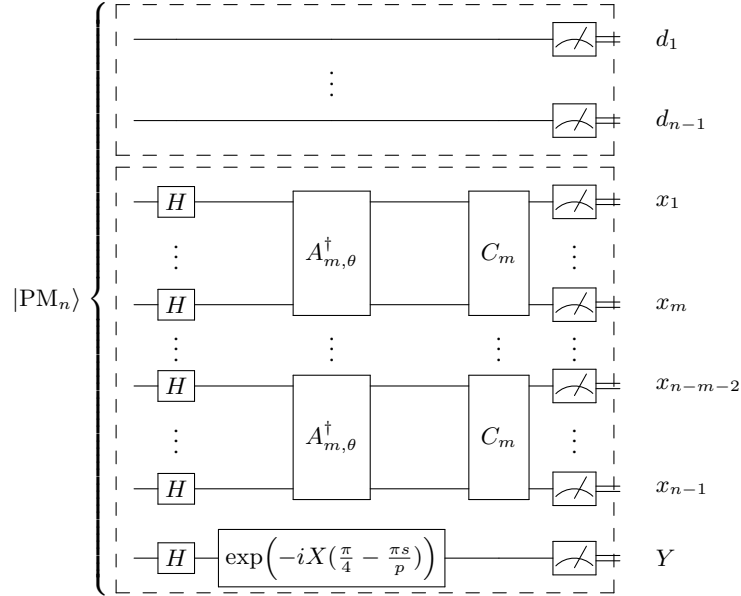


Figure 3. Constant-depth non-unitary circuit producing an approximate distribution P to $(Z, \text{pmmajmod}_{p,s}(Z))$, for $\theta = \frac{\pi}{p}$. Note that the input state vector $|\text{PM}_n\rangle$ can be prepared in constant-depth, following [Theorem 4](#).

The circuit that achieves this approximation is depicted in [Fig. 3](#). The C_m gate denotes a permutation whose action on the m qubit computational basis state vector $|x_1, x_2, \dots, x_m\rangle$ is given by

$$C_m |x_1, x_2, \dots, x_m\rangle = |x_2, x_3, \dots, x_m, x_1\rangle. \quad (\text{A3})$$

The C_m gate can be implemented by a series of $m-1$ SWAP gates. Problematically, the $A_{m,\theta}$ gate is non-unitary. To solve this issue, the unitary gate $U_{m,\theta}$ is defined as

$$U_{m,\theta} := \begin{cases} A_{m,\theta} |x\rangle & \text{if } x \in B^m, \\ C^{-1}(A_{m,\theta} |x\rangle + i^{m+2|x|} \sin^m(\theta) A_{m,\theta} |\bar{x}\rangle) & \text{otherwise,} \end{cases} \quad (\text{A4})$$

where

$$C := \sqrt{1 - \sin^{2m}(\theta)} \quad (\text{A5})$$

is a normalizing constant and B^m is any set containing half the bit strings of length m with the property that for any $x \in \{0, 1\}^m$ either $x \in B^m$ or $\bar{x} \in B^m$. Essentially, $U_{m,\theta}$ arises from applying the Gram-Schmidt ortho-normalization to the problematic states output by $A_{\theta,m}$. It is shown that the unitary gate $U_{m,\theta}$ approximates the non-unitary gate $A_{m,\theta}$.

Lemma 9 (Lemma 18 in Ref. [17]). *For any m , there exists a unitary matrix $U_{m,\theta}$ satisfying*

$$\|A_{m,\theta} - U_{m,\theta}\|_F \in O(\theta^m) \quad (\text{A6})$$

as $\theta \rightarrow 0$.

In particular, setting $\theta = \frac{\pi}{p}$, with $p = n^c$ for some constant $c \in (0, 1/2)$, the equations (116)-(119) in Ref. [17] give us the following.

Lemma 10 (Closeness of unitaries). *For any m , and $\theta = \frac{\pi}{p}$, and $p = n^c$ for some constant $c \in (0, 1/2)$, there exists a unitary matrix $U_{m,\theta}$ satisfying*

$$\|A_{m,\theta} - U_{m,\theta}\|_\infty \in O(n^{-mc}). \quad (\text{A7})$$

And thus [Theorem 5](#) follows. We further call the distribution Q , which is produced by the circuit in [Fig. 2 a](#)) and uses the $U_{m,\theta}^\dagger$ gates. Now, let $m = \lceil 2/c + 1 \rceil$. Note that the circuits producing P and Q differ only by replacing every $A_{m,\theta}^\dagger$ gate with a $U_{m,\theta}^\dagger$ gate. There are $O(n)$ such gates. It follows from using [Lemma 10](#) and following the steps of equations (118)-(121) in Ref. [17], that

$$\Delta(P, Q) \in O(n) \times O(n^{-mc}) = O(n^{-c-1}) = O\left(\frac{1}{np}\right). \quad (\text{A8})$$

1. Circuit compilation of $U_{m,\theta}$

Directly following the arguments put forward in Ref. [17], the $U_{m,\theta}$ gates can be compiled into arbitrary one-qubit gates and two-qubit CNOT gates. Following the discussions in Ref. [26], any operator on m qubits can be performed with at most $O(m^3 4^m)$ two-qubit gates, using the methods described in Ref. [27] and in a runtime that is bounded by a function of m . Further, any of those two qubit gates can be decomposed into a sequence of at most 5 one-qubit gates and CNOT gates, following the results of Ref. [28]. Thus, for constant m and any θ , there exists a constant time algorithm that compiles the $U_{m,\theta}$ gates into a constant depth sequence of arbitrary one-qubit gates and CNOT gates. The algorithm to obtain the circuit compilation to any unitary operator is also excellently explained in chapter 5.4 of Ref. [29].

Appendix B: Learning algorithm

In this appendix, we present the detailed rigorous analysis of the learning algorithm used in the main text. We show that the circuits generating the distributions $Q = D_{n,p,s}$ can be learned from examples to perfect precision. For our analysis, we require the following fact:

Fact 11 (Fact 3.2 in Ref. [22]). *Let a_1, a_2, \dots, a_t be nonzero integers modulo p , and let $(x_1, x_2, \dots, x_t) \in \{0, 1\}^t$ be sampled uniformly. Then the total variation distance between $\sum_{i=1}^t a_i x_i \pmod p$ and U_p , the uniform distribution over $\{0, 1, \dots, p-1\}$ is at most $\sqrt{pe^{-t/p^2}}$.*

The main contribution of this section is proving the following theorem:

Theorem 12 (Learning algorithm, [Theorem III.1](#)). *There exists a polynomial-time PAC generator learning algorithm for \mathcal{D} , that for sufficiently large $p \in O(n^{1/3})$, any $\delta > 0$, and any $s \in \mathbb{F}_p$, outputs a description of a constant-depth quantum circuit whose Born distribution D' satisfies*

$$\Delta(D_{n,p,s}, D') = 0 \quad (\text{B1})$$

with probability $1 - \delta$, and which uses $M \in O\left(p^4 \log\left(\frac{p}{\delta}\right)\right)$ examples of $D_{n,p,s}$.

Proof. We are given M examples of the discrete distribution $Q := D_{n,p,s}$ and n, p . To learn Q , our goal is to find s using the M examples and then output a description of the circuit in Fig. 2 a).

As an intermediate step, let us for now assume that we observe examples from the distribution P defined in Theorem 8. Then Equation (9) reveals that, given a certain assignment of $Z = (d, x)$, the probability to observe $(d, x, \oplus(x))$ in the examples is $\cos^2(-\frac{\pi}{4} + \frac{\pi}{p}(k+s))$, where

$$k = \sum_{i=0}^{n-1} x_i (-1)^{h(d)_i} \bmod p. \quad (\text{B2})$$

The strategy for the learning algorithm is essentially to find out the $\cos^2(\cdot)$ values for all $k = 1, \dots, p$ using M examples. Thus, basically, in the learning algorithm, we build a p -dimensional vector \vec{V} using the M examples, which approximates the p values for $\cos^2(\cdot)$. The $\cos^2(\cdot)$ function is depicted in Figure 2.c). From the figure, we can see that if we are able to find the coordinate $p-s \bmod p$, it will reveal s to us. Note that the coordinate $p-s$ is integer. To find this coordinate, we search for the coordinate k^* in \vec{V} where the \cos^2 function equals $1/2$ and where it is larger than $1/2$ for $k^* + 1$ (i.e., where \cos^2 crosses $1/2$ from below). We can then output our estimate of s by computing $p - k^* \bmod p$, which is correct if indeed $k^* = p - s \bmod p$. We now describe how we build \vec{V} and how closely it must approximate \cos^2 for our learning algorithm to work with high probability.

First, we define a vector \vec{v} , which has the property that its expectation value $\mathbb{E}[\vec{v}]$ approximates the p values for $\cos^2(\cdot)$. We then show how one can build \vec{V} such that it that approximates $\mathbb{E}[\vec{v}]$. Define

$$|x^{(i)}| := \sum_{j=0}^{n-1} x_j^{(i)} (-1)^{h(d^{(i)})_j} \quad (\text{B3})$$

for $i = 1, \dots, M$, where $x^{(i)}$ and $d^{(i)}$ are taken from the i 'th example. Then, define the vector

$$\vec{v} := \sum_{i=1}^M \mathbb{1}(\oplus(x^{(i)}) = Y_{x^{(i)}}) \vec{e}_{|x^{(i)}| \bmod p} \quad (\text{B4})$$

where \vec{e}_k is the unit vector of dimension p . Since the M examples are drawn randomly, we can interpret \vec{v} as a random variable and analyze its expectation value. Let P_k be the marginal probability of observing the bits (d, x) such that $|x| = k$. For P_k , it follows from Fact 11 that

$$\forall k \in \{0, \dots, p-1\}, \left| P_k - \frac{1}{p} \right| \leq \sqrt{p} \exp\left(-\frac{n-1}{2p^2}\right). \quad (\text{B5})$$

Since the expectation value of \vec{v} is given through

$$\begin{aligned} \mathbb{E}[\vec{v}]_k &= P_k \times [\cos^2\left(-\frac{\pi}{4} + \frac{\pi}{p}(k+s)\right) \times p + \sin^2\left(-\frac{\pi}{4} + \frac{\pi}{p}(k+s)\right) \times 0] \\ &= P_k \times p \times \cos^2\left(-\frac{\pi}{4} + \frac{\pi}{p}(k+s)\right). \end{aligned} \quad (\text{B6})$$

Multiplying both sides of Eq. (B5) with p and combining it with Eq. (B6) gives us that the k 'th element of $\mathbb{E}[\vec{v}]$ is an $p^{3/2} \exp\left(-\frac{n-1}{2p^2}\right)$ -close approximation to $\cos^2\left(-\frac{\pi}{4} + \frac{\pi}{p}(k+s)\right)$.

In the beginning of this proof, we assumed that we observe samples of the distribution P , however, in reality we observe samples from Q . Thus, what we have shown above is that the k 'th element of $\mathbb{E}[\vec{v}]_k$ approximates $\cos^2\left(-\frac{\pi}{4} + \frac{\pi}{p}(k+s)\right)$ under P . But in reality we are interested in the approximation under Q . Using Eq. (A8), we find that it holds that

$$|\mathbb{E}_P[\vec{v}]_k - \mathbb{E}_Q[\vec{v}]_k| \leq \Delta(P, Q) \times p \leq O(1/n). \quad (\text{B7})$$

And thus the k 'th element of $\mathbb{E}_Q[\vec{v}]$ is an $(p^{3/2} \exp\left(-\frac{n-1}{2p^2}\right) + O(1/n))$ -close approximation to $\cos^2\left(-\frac{\pi}{4} + \frac{\pi}{p}(k+s)\right)$.

Now, the following lemma shows that that we can efficiently approximate $\mathbb{E}[\vec{v}]_k$ with M examples, for all k .

Lemma 13 (Lemma C.1, page 15 [30]). *Let X be a d -dimensional bounded random variable such that $\|x\|_\infty \leq B$. Given sampling access to X , $\epsilon, \delta > 0$, there exists a classical multivariate mean estimator that returns an ϵ -precise estimate of $\mathbb{E}[X]$ in ℓ_∞ -norm, with success probability at least $1 - \delta$ using $O(\frac{B^2}{\epsilon^2} \log(\frac{d}{\delta}))$ samples of X .*

It follows that we can obtain an estimate \vec{V} for $\mathbb{E}_Q[\vec{v}]$, where each entry is ϵ -close, with probability $1 - \delta$, using

$$M \in O\left(\frac{p^2}{\epsilon^2} \log\left(\frac{p}{\delta}\right)\right) \quad (\text{B8})$$

many samples. Hence, \vec{V}_k approximates $\cos^2\left(-\frac{\pi}{4} + \frac{\pi}{p}(k+s)\right)$ with error at most $\epsilon + p^{3/2} \exp\left(-\frac{n-1}{2p^2}\right) + O(1/n)$. From the discussions above, we can now give the algorithm to find s .

1. Construct \vec{V} using M samples

$$\vec{V} = \frac{1}{m} \sum_{i=1}^M \mathbb{1}(\oplus(x^{(i)}) = Y_{x^{(i)}}) \vec{e}_{|x^{(i)}| \bmod p}. \quad (\text{B9})$$

2. Search in \vec{V} for the position k^* , where

- (a) the entry at k^* is τ -close to $\frac{1}{2}$,
- (b) the entry at $k^* + 1 \bmod p$ is larger than $\frac{1}{2} + \tau$.

If none such k^* is found, output *failure*.

3. Output $\tilde{s} = p - k^* \bmod p$.

In order for the algorithm to successfully find s , it is evident from Figure 2.c) that τ needs to be smaller than half of the difference between the two consecutive values of $\cos^2\left(-\frac{\pi}{4} + \frac{\pi}{p}(k+s)\right)$ for $k = p-s \bmod p$ and $k = p-s+1 \bmod p$. That is, τ is required to be smaller than

$$\begin{aligned} & \frac{1}{2} \left| \cos^2\left(-\frac{\pi}{4}\right) - \cos^2\left(-\frac{\pi}{4} + \frac{\pi}{p}\right) \right| \\ &= \frac{1}{2} \left| \frac{1}{2} - \cos^2\left(-\frac{\pi}{4} + \frac{\pi}{p}\right) \right|. \end{aligned} \quad (\text{B10})$$

If that is the case, then our algorithm succeeds. In particular, it suffices that

$$\begin{aligned} \tau &< \frac{1}{2} \left| \frac{1}{2} - \frac{1}{2} + \frac{\pi}{3p} \right| \\ &< \frac{1}{2} \left| \frac{1}{2} - \cos^2\left(-\frac{\pi}{4} + \frac{\pi}{p}\right) \right|, \end{aligned} \quad (\text{B11})$$

which is true for $p \geq 3$, as proven in Lemma 14 below. And thus we require

$$\tau < \frac{\pi}{6p} \quad (\text{B12})$$

for the algorithm to succeed. It holds that

$$\epsilon + p^{3/2} \exp\left(-\frac{n-1}{2p^2}\right) + O\left(\frac{1}{n}\right) < \frac{\pi}{6p} \quad (\text{B13})$$

asymptotically in p , when $\epsilon = \frac{1}{p}$ and $n \in \Omega(p^3)$ ($\Leftrightarrow p \in O(n^{1/3})$). And thus, for such choices of ϵ, n and using our discussions above, the algorithm to find s succeeds with probability $1 - \delta$, when using

$$M \in O\left(\frac{p^2}{\epsilon^2} \log\left(\frac{p}{\delta}\right)\right) \quad (\text{B14})$$

many examples. When we have found s , we can output the circuit in Fig. 2 a) as the generator. Since the target distribution has exactly been generated by that circuit, the TV distance the output generator and the target distribution is 0. \square

Finally, we show a simple property of the cosine function that is used in the argument above.

Lemma 14 (Property of the cosine function). *For $p \geq 3$, it holds that*

$$\cos^2\left(-\frac{\pi}{4} + \frac{\pi}{p}\right) > \frac{1}{2} + \frac{\pi}{3p}. \quad (\text{B15})$$

Proof. Take $x := 1/p$. We need to show that $f(x) := \cos^2(-\frac{\pi}{4} + \pi x) - \frac{1}{2} - \frac{\pi x}{3} \geq 0$ for $0 \leq x \leq \frac{1}{3}$. It can be easily verified that $f'(0) > 0$ and $f'(\frac{1}{2}) < 0$, and $f''(x) < 0$ for $x \in [0, \frac{1}{2}]$. It follows that f is increasing to a maximum and then decreasing in the interval $[0, \frac{1}{2}]$. Since $f(0) = 0$ and $f(\frac{1}{3}) > 0$, it follows that $f(x) \geq 0$ for $x \in [0, \frac{1}{3}]$. \square