
WEYL GROUP OF TYPE E_6 AND K3 SURFACES

by

Cédric Bonnafé

Abstract. — Adapting methods of previous papers by A. Sarti and the author, we construct K3 surfaces from invariants of the Weyl group of type E_6 . We study in details one of these surfaces, which turns out to have Picard number 20: for this example, we describe an elliptic fibration (and its singular fibers), the Picard lattice and the transcendental lattice.

This paper can be seen as a continuation of previous works by A. Sarti and the author on the construction of *singular* K3 surfaces by using invariants of finite reflection groups [BoSa1, BoSa3]. We consider here quotients of complete intersections defined by fundamental invariants of a group of rank 6, namely the Weyl group of type E_6 .

Let W be the Weyl group of type E_6 acting on $V = \mathbb{C}^6$ and let W' denote its derived subgroup (which has index 2 in W and is equal to $W \cap \mathbf{SL}_{\mathbb{C}}(V)$). Then the algebra $\mathbb{C}[V]^W$ of polynomial functions on V invariant under the action of W is generated by six homogeneous and algebraically independent polynomials f_2, f_5, f_6, f_8, f_9 and f_{12} (of respective degrees 2, 5, 6, 8, 9 and 12).

We denote by $\mathcal{X} \subset \mathbb{P}(V)$ the surface defined by $f_2 = f_6 = f_8 = 0$ and, for $\lambda, \mu \in \mathbb{C}^2$, we denote by $\mathcal{Y}_{\lambda, \mu}$ the surface defined by $f_5 = f_6 + \lambda f_2^3 = f_8 + \mu f_2^4 = 0$. It turns out that \mathcal{X} is smooth and that $\mathcal{Y}_{\lambda, \mu}$ is smooth for generic values of (λ, μ) . Our first main result in this paper is the following (see Theorem 3.2):

Theorem A.

- (a) *The minimal resolution of the singular surface \mathcal{X}/W' is a smooth K3 surface.*
- (b) *If λ, μ be such that $\mathcal{Y}_{\lambda, \mu}$ has at most ADE singularities^(*), then the minimal resolution of $\mathcal{Y}_{\lambda, \mu}/W'$ is a smooth K3 surface.*

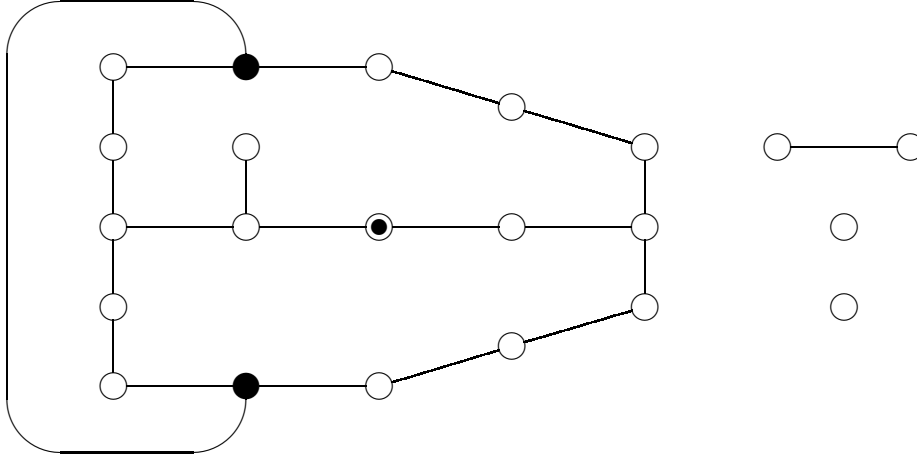
In the rest of the paper, we investigate further properties of \mathcal{X}/W' and of its minimal resolution $\tilde{\mathcal{X}}$. The second main result of the paper is the following (see Theorem 5.1):

Theorem B.

- (a) *The K3 surface $\tilde{\mathcal{X}}$ admits an elliptic fibration $\tilde{\varphi} : \tilde{\mathcal{X}} \rightarrow \mathbb{P}^1(\mathbb{C})$ whose singular fibers are of type $E_7 + E_6 + A_2 + 2A_1$.*
- (b) *The Picard lattice of $\tilde{\mathcal{X}}$ has rank 20 and discriminant $-228 = -2^2 \cdot 3 \cdot 19$.*
- (c) *The transcendental lattice of $\tilde{\mathcal{X}}$ is given by the matrix $\begin{pmatrix} 2 & 0 \\ 0 & 114 \end{pmatrix}$.*

^(*)We do not know if there are values of (λ, μ) such that $\mathcal{Y}_{\lambda, \mu}$ has more complicated singularities.

In the course of the proof of Theorem B, we obtain a complete description of the Picard lattice: it is generated by 22 smooth rational curves whose intersection graph is given by^(†)



In this graph, the two black disks correspond to sections of the elliptic fibration $\tilde{\varphi}$ mentioned in Theorem B(a). The disk with a smaller black disk inside corresponds to a double section. The singular fibers of $\tilde{\varphi}$ of type E_7 and E_6 are given by the white disks of the big connected subgraph.

The paper is organized as follows. In Section 1, we fix general notation and prove some preliminary results about group actions on tangent spaces. In Section 2, we fix the context, recall properties of the Weyl group of type E_6 and recall results from Springer theory [Spr]. Section 3 is mainly devoted to the proof of Theorem A. Section 4 gathers many geometric properties of the quotient variety \mathcal{X}/W' (singularities, smooth rational curves, explicit equations in a weighted projective space): in a first reading of this paper, we believe the reader might skip the details of this very computational section and remember only the concrete results. Theorem B is proved in Section 5. As a complement to all these data, the last section 6 contains the decomposition of the character of the representation $H^2(\mathcal{X}, \mathbb{C})$ of W into a sum of irreducible characters (note that $\dim H^2(\mathcal{X}) = 9\,502$).

Some of the proofs require computer calculations, especially for all the preliminary results for proving Theorem B: they are done thanks to the software MAGMA [BCP97] and are explicitly described in the Appendices.

1. General notation, preliminaries

All vector spaces, all algebras, all algebraic varieties will be defined over \mathbb{C} . Algebraic varieties will always be reduced and quasi-projective, but not necessarily irreducible. If \mathcal{X} is an algebraic variety and if $x \in \mathcal{X}$, we denote by $T_x(\mathcal{X})$ the tangent space of \mathcal{X} at x . If \mathcal{X} is moreover affine, we denote by $\mathbb{C}[\mathcal{X}]$ its algebra of regular functions.

We fix a square root i of -1 in \mathbb{C} . If V is a vector space, g is an element of $\text{End}_{\mathbb{C}}(V)$ and $\zeta \in \mathbb{C}$, we denote by $V(g, \zeta)$ the ζ -eigenspace of g . The list of eigenvalues of an element of $\text{End}_{\mathbb{C}}(V)$ will always be given with multiplicities (and will be seen as a multiset: a multiset

^(†)This means that two smooth rational curves C and C' in this list intersect if and only if they are joined by an edge in the above graph, and that, if so, then $C \cdot C' = 1$.

will be always written with double brackets, e.g. $\{\{a, b, \dots\}\}$. If $d \in \mathbb{N}^*$, we denote by μ_d the group of d -th roots of unity in \mathbb{C}^\times and we set $\zeta_d = \exp(2i\pi/d)$.

If V is a finite dimensional vector space and if $v \in V \setminus \{0\}$, we denote by $[v]$ its image in the projective space $\mathbb{P}(V)$. If $p \in \mathbb{P}(V)$, we denote by G_p its stabilizer in $G \subset \mathrm{GL}_{\mathbb{C}}(V)$. In other words, $G_{[v]}$ is the set of elements of G admitting v as an eigenvector.

If X is a subset of V and if G is a subgroup of $\mathrm{GL}_{\mathbb{C}}(V)$, we denote by G_X^{set} (resp. G_X^{pt}) the setwise (resp. pointwise) stabilizer of X and we set $G[X] = G_X^{\mathrm{set}}/G_X^{\mathrm{pt}}$ (so that $G[X]$ acts faithfully on the set X and on the vector space generated by X).

If d_1, \dots, d_n are positive integers, we denote by $\mathbb{P}(d_1, \dots, d_n)$ the associated weighted projective space. If $f_1, \dots, f_r \in \mathbb{C}[X_1, \dots, X_n]$ are homogeneous (with X_i endowed with the degree d_i), we denote by $\mathfrak{X}(f_1, \dots, f_r)$ the (possibly non-reduced) closed subscheme defined by $f_1 = \dots = f_r = 0$.

The next three lemmas will be used throughout this paper. The first one is trivial, but very useful [BoSa1, Lem. 2.2]:

Lemma 1.1. — *Let V be a finite dimensional vector space, let $f \in \mathbb{C}[V]$, let $g \in \mathrm{GL}_{\mathbb{C}}(V)$ and let $v \in V \setminus \{0\}$ be such that:*

- (1) $g(v) = \xi v$, with $\xi \in \mathbb{C}^\times$.
- (2) f is homogeneous of degree d with $\xi^d \neq 1$.
- (3) f is g -invariant.

Then $f(v) = 0$.

The next one is certainly well-known and might have its own interest:

Lemma 1.2. — *Let V be a finite dimensional vector space, let $n = \dim_{\mathbb{C}} V$, let G be a subgroup of $\mathrm{GL}_{\mathbb{C}}(V)$, let $v \in V \setminus \{0\}$ and let $f_1, \dots, f_r \in \mathbb{C}[V]$ be G -invariant and homogeneous of respective degrees d_1, \dots, d_r . We assume that:*

- (1) $\mathfrak{X}(f_1, \dots, f_r)$ is a global complete intersection in $\mathbb{P}(V)$.
- (2) G stabilizes the line $[v]$ (let $\theta_v : G \rightarrow \mathbb{C}^\times$ denote the linear character defined by $g(v) = \theta_v(g)v$ for all $g \in G$).
- (3) $[v]$ is a smooth point of $\mathfrak{X}(f_1, \dots, f_r)$.

Then the r -dimensional semisimple representation $\theta_v^{d_1-1} \oplus \dots \oplus \theta_v^{d_r-1}$ is isomorphic to a subrepresentation E of the $(n-1)$ -dimensional representation $(V/[v])^*$ of G and, as representations of G , we have an isomorphism

$$\Gamma_{[v]}(\mathfrak{X}(f_1, \dots, f_r)) \simeq E^\perp \otimes \theta_v^{-1},$$

where $E^\perp = \{x \in V/[v] \mid \forall \varphi \in E, \varphi(x) = 0\}$.

Remark 1.3. — Keep the notation of the proposition. Recall that we have a natural identification $\Gamma_{[v]}(\mathbb{P}(V)) \simeq V/[v]$ but that this identification is not G -equivariant. We will recall the construction of this isomorphism in the proof of the proposition, so that we can follow the action of G : as we will see, we have a natural isomorphism of G -representations $\Gamma_{[v]}(\mathbb{P}(V)) \simeq (V/[v]) \otimes \theta_v^{-1}$. Therefore, $\Gamma_{[v]}(\mathfrak{X})$ is naturally a subrepresentation of $(V/[v]) \otimes \theta_v^{-1}$, and this is the aim of this proposition to identify this subrepresentation. ■

Proof. — Write $\mathfrak{X} = \mathfrak{X}(f_1, \dots, f_r)$ and $p = [v]$. The point p of $\mathbb{P}(V)$ corresponds to the homogeneous ideal \mathfrak{p} of $\mathbb{C}[V]$ generated by $v^\perp \subset V^*$. The local ring \mathcal{O} of $\mathbb{P}(V)$ at p is

$$\mathbb{C}[V]_{(\mathfrak{p})} = \{a/b \mid a, b \in \mathbb{C}[V], \text{ homogeneous and } b \notin \mathfrak{p}\}.$$

We denote by \mathfrak{m} the unique maximal ideal of \mathcal{O} . Then

$$\mathfrak{m} = \{a/b \mid a, b \in \mathbb{C}[V], \text{ homogeneous, } a \in \mathfrak{p} \text{ and } b \notin \mathfrak{p}\}.$$

The map

$$\begin{aligned} d_v : \mathfrak{m} &\longrightarrow V^* \\ f &\longmapsto d_v f \end{aligned}$$

induces an isomorphism

$$\delta : T_p(\mathbb{P}(V))^* = \mathfrak{m}/\mathfrak{m}^2 \xrightarrow{\sim} v^\perp = (V/[v])^*.$$

(Recall that, if $a \in \mathfrak{p}$ is homogeneous of degree m and $b \notin \mathfrak{p}$ is homogeneous, then $d_v(a/b)(v) = (d_v a)(v)/b(v) = 0$ because $(d_v a)(v) = ma(v) = 0$ by Euler's identity). Note, however, that δ is not G -equivariant for the classical action: indeed, as $g(v) = \theta_v(g)v$ for all $g \in G$, δ induces an isomorphism of G -modules

$$\delta : T_p(\mathbb{P}(V))^* \xrightarrow{\sim} (V/[v])^* \otimes \theta_v.$$

Through this isomorphism,

$$T_p(\mathcal{X})^* \simeq ((V/[v])^*/E) \otimes \theta_v,$$

where

$$E = \sum_{k=1}^r \mathbb{C}\delta(f_k).$$

Now, since \mathcal{X} is smooth at p and \mathcal{X} is a global complete intersection, this means that the elements $\delta(f_1), \dots, \delta(f_r)$ are linearly independent. To conclude the proof of the proposition, it remains to notice that $g(\delta(f_k)) = \theta_v(g)^{d_k-1} \delta(f_k)$ for all $g \in G$, which follows immediately from the G -invariance of f_k . \square

The next corollary is an immediate consequence of Lemma 1.2 in the case where G is a cyclic group.

Corollary 1.4. — *Let V be a finite dimensional vector space, let $n = \dim_{\mathbb{C}} V$, let $g \in \mathrm{GL}_{\mathbb{C}}(V)$, let $v \in V \setminus \{0\}$ and let $f_1, \dots, f_r \in \mathbb{C}[V]$ be g -invariant and homogeneous of respective degrees d_1, \dots, d_r . Let $\{\{\xi_1, \dots, \xi_n\}\}$ be the multiset of eigenvalues of g . We assume that:*

- (1) $\mathcal{X}(f_1, \dots, f_r)$ is a global complete intersection in $\mathbb{P}(V)$.
- (2) $g(v) = \xi_n v$.
- (3) $[v]$ is a smooth point of $\mathcal{X}(f_1, \dots, f_r)$.

Then $\{\{\xi_n^{-d_1}, \dots, \xi_n^{-d_r}\}\}$ is contained in the multiset $\{\{\xi_n^{-1}\xi_1, \dots, \xi_n^{-1}\xi_{n-1}\}\}$ and the list of eigenvalues of g for its action on the tangent space $T_{[v]}(\mathcal{X}(f_1, \dots, f_r))$ is the multiset

$$\{\{\xi_n^{-1}\xi_1, \dots, \xi_n^{-1}\xi_{n-1}\}\} \setminus \{\{\xi_n^{-d_1}, \dots, \xi_n^{-d_r}\}\}.$$

Remark 1.5. — Keep the notation of Lemma 1.2 and assume moreover that G is a closed reductive subgroup of $\mathrm{GL}_{\mathbb{C}}(V)$ (for instance, G might be finite), that $v \in V^G$ (so that $\theta_v = 1$) and that $\mathbb{P}(V^G) \subset \mathcal{X}(f_1, \dots, f_r)$. We want to show that

- (#) $[v]$ is a singular point of $\mathcal{X}(f_1, \dots, f_r)$.

For this, assume that $[v]$ is smooth and let E denote the G -stable subspace of $(V/[v])^*$ of dimension r defined in the proof of Lemma 1.2 and such that the G -module $T_{[v]}(\mathcal{X}(f_1, \dots, f_r))$

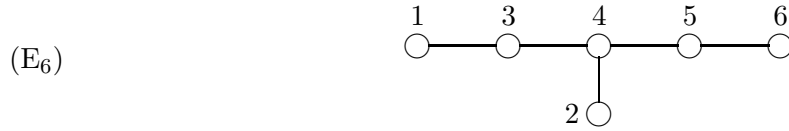
is identified with E^\perp . By hypothesis, $V^G/[v] \subset T_{[v]}(\mathcal{X}(f_1, \dots, f_r))$ so, since G acts semisimply on V , its orthogonal F in $(V/[v])^*$ satisfies $F^G = 0$. This contradicts the fact that $E \subset F$. This shows (#).

If G is finite, $\dim_{\mathbb{C}} V^G = 1$ (resp. $\dim_{\mathbb{C}} V^G = 2$) and $r = 1$, we retrieve [BoSa1, Coro. 2.4] (resp. [BoSa1, Coro. 2.9]). ■

2. Set-up

For the classical theory of Coxeter groups, reflection groups, Dynkin diagrams,... we mainly refer to Bourbaki's book [Bou] or Broué's book [Bro]. For Springer theory (and its enhancement by Lehrer-Springer), we refer to [Spr], [LeSp1], [LeSp2] and [LeMi].

Let $V = \mathbb{C}^6$ be endowed with its canonical basis $(e_1, e_2, e_3, e_4, e_5, e_6)$. Through this basis, we identify $GL_{\mathbb{C}}(V)$ and $GL_6(\mathbb{C})$ and we let it act on V on the left. We denote by $(X_1, X_2, X_3, X_4, X_5, X_6)$ the dual basis of $(e_1, e_2, e_3, e_4, e_5, e_6)$, so that the algebra $\mathbb{C}[V]$ will be identified with the polynomial algebra $\mathbb{C}[X_1, X_2, X_3, X_4, X_5, X_6]$. We endow it with the symmetric bilinear form \langle, \rangle attached to the Dynkin diagram of type E_6 (we follow the strange numbering of nodes given by Bourbaki [Bou, Chap. 6, Planche V]):



Recall that this means that

$$\begin{cases} \langle e_k, e_k \rangle = 1 & \text{if } 1 \leq k \leq 6, \\ \langle e_k, e_l \rangle = -1/2 & \text{if } 1 \leq k \neq l \leq 6 \text{ and } \{k, l\} \text{ is an edge of the graph (E}_6\text{),} \\ \langle e_k, e_l \rangle = 0 & \text{if } 1 \leq k \neq l \leq 6 \text{ and } \{k, l\} \text{ is not an edge of the graph (E}_6\text{).} \end{cases}$$

Recall that \langle, \rangle is non-degenerate (in fact, when restricted to \mathbb{R}^6 , it is positive definite). For $1 \leq k \leq 6$, we denote by s_k the orthogonal reflection such that $s_k(e_k) = -e_k$. We set

$$W = \langle s_1, s_2, s_3, s_4, s_5, s_6 \rangle.$$

We denote by $O(V)$ the orthogonal group of V , with respect to the bilinear form \langle, \rangle . By construction, W is a subgroup of $O(V)$ and is called a *Weyl group of type E_6* .

2.A. First properties of W . — The group W is finite and acts irreducibly on V . Moreover,

$$(2.1) \quad |W| = 51\,840.$$

Also, the center of W is trivial, so W acts faithfully on $\mathbb{P}(V)$. Let $\varepsilon : W \rightarrow \mu_2 = \{-1, 1\}$, $w \mapsto \det(w)$. Recall that $\text{Ker } \varepsilon$ is the derived (i.e. commutator) subgroup of W , which will be denoted by W' . In particular,

$$(2.2) \quad |W'| = 25\,920.$$

We denote by $\text{Deg}(W)$ (resp. $\text{Codeg}(W)$) the *degrees* (resp. the *codegrees*) of W , as defined in [Bro, Chap. 4]. It turns out that

$$(2.3) \quad \text{Deg}(W) = \{2, 5, 6, 8, 9, 12\} \quad \text{and} \quad \text{Codeg}(W) = \{0, 3, 4, 6, 7, 10\}.$$

In particular, this means that there exist 6 homogeneous W -invariant polynomials f_2, f_5, f_6, f_8, f_9 and f_{12} , of respective degrees 2, 5, 6, 8, 9 and 12, such that

$$(2.4) \quad \mathbb{C}[V]^W = \mathbb{C}[f_2, f_5, f_6, f_8, f_9, f_{12}].$$

We set $\mathbf{f} = (f_2, f_5, f_6, f_8, f_9, f_{12})$ and we recall that \mathbf{f} is not uniquely determined. Thanks to (2.4), we get that

$$\begin{aligned} \pi_{\mathbf{f}} : \mathbb{P}(V) &\longrightarrow \mathbb{P}(2, 5, 6, 8, 9, 12) \\ [v] &\longmapsto [f_2(v), f_5(v), f_6(v), f_8(v), f_9(v), f_{12}(v)] \end{aligned}$$

is well-defined and induces an isomorphism of varieties

$$(2.5) \quad \mathbb{P}(V)/W \xrightarrow{\sim} \mathbb{P}(2, 5, 6, 8, 9, 12).$$

The graded algebra associated with the weighted projective space $\mathbb{P}(2, 5, 6, 8, 9, 12)$ will be denoted by $\mathbb{C}[Z_2, Z_5, Z_6, Z_8, Z_9, Z_{12}]$, with Z_d being given the degree d (for all $d \in \text{Deg}(W)$).

Remark 2.6. — The quadratic form $Q : V \rightarrow \mathbb{C}, v \mapsto \langle v, v \rangle$ is W -invariant. Hence f_2 is a scalar multiple of Q . Since Q is positive definite when restricted to \mathbb{R}^6 , we have in particular that $f_2(e_1) \neq 0$. ■

Let $\text{Ref}(W)$ be the set of reflections of W and let \mathcal{A} be the hyperplane arrangement of W (i.e. $\mathcal{A} = \{V^s \mid s \in \text{Ref}(W)\}$). Then

$$(2.7) \quad |\text{Ref}(W)| = |\mathcal{A}| = \sum_{d \in \text{Deg}(W)} (d - 1) = 36.$$

If $H \in \mathcal{A}$, we denote by α_H an element of V^* such that $H = \text{Ker } \alpha_H$. We set

$$\text{Jac} = \prod_{H \in \mathcal{A}} \alpha_H \in \mathbb{C}[V].$$

Since all the α_H are well-defined up to a non-zero scalar, Jac is also well-defined up to a non-zero scalar. Then

$$(2.8) \quad {}^w \text{Jac} = \varepsilon(w) \text{Jac}$$

for all $w \in W$ and

$$(2.9) \quad \mathbb{C}[V]^{W'} = \mathbb{C}[f_2, f_5, f_6, f_8, f_9, f_{12}, \text{Jac}].$$

Moreover, Jac is homogeneous of degree 36 by (2.7). Also, since $\text{Jac}^2 \in \mathbb{C}[V]^W$ by (2.8), there exists a unique homogeneous polynomial $P_{\mathbf{f}} \in \mathbb{C}[Z_2, Z_5, Z_6, Z_8, Z_9, Z_{12}]$ such that

$$\text{Jac}^2 = P_{\mathbf{f}}(f_2, f_5, f_6, f_8, f_9, f_{12}).$$

Of course, $P_{\mathbf{f}}$ depends heavily on the choice of the family \mathbf{f} and, up to a non-zero scalar, on the choice of the α_H 's. It turns out that this relation generates the ideal of relations between the functions $f_2, f_5, f_6, f_8, f_9, f_{12}$ and Jac . In particular, the map

$$\begin{aligned} \pi'_{\mathbf{f}} : \mathbb{P}(V) &\longrightarrow \mathbb{P}(2, 5, 6, 8, 9, 12, 36) \\ [v] &\longmapsto [f_2(v) : f_5(v) : f_6(v) : f_8(v) : f_9(v) : f_{12}(v) : \text{Jac}(v)] \end{aligned}$$

is well-defined and induces an isomorphism of varieties

$$(2.10) \quad \begin{aligned} \mathbb{P}(V)/W' &\xrightarrow{\sim} \{[z_2 : z_5 : z_6 : z_8 : z_9 : z_{12} : j] \in \mathbb{P}(2, 5, 6, 8, 9, 12, 36) \mid \\ &\quad j^2 = P_{\mathbf{f}}(z_2, z_5, z_6, z_8, z_9, z_{12})\}. \end{aligned}$$

Finally, we denote by $\omega : \mathbb{P}(V)/W' \rightarrow \mathbb{P}(V)/W$ the natural morphism, which is just the quotient map by $\mu_2 \simeq W/W'$. Through the isomorphisms (2.5) and (2.10), the action of the non-trivial element of μ_2 is given by the involutive automorphism σ given by

$$\sigma[z_2 : z_5 : z_6 : z_8 : z_9 : z_{12} : j] = [z_2 : z_5 : z_6 : z_8 : z_9 : z_{12} : -j]$$

and ω is given by

$$\omega[z_2 : z_5 : z_6 : z_8 : z_9 : z_{12} : j] = [z_2 : z_5 : z_6 : z_8 : z_9 : z_{12}].$$

2.B. Eigenspaces, Springer theory. — As in [BoSa1], an important role is played by Springer and Lehrer-Springer theory. We recall briefly the results we will need (this subsection is a simplified version of [BoSa1, §3.3], adapted to the particular case of our Weyl group W). All the results stated here can be found in [Spr], [LeSp1], [LeSp2]. Note that some of the proofs have been simplified in [LeMi]. Let us fix now a natural number e . We set

$$\Delta(e) = \{d \in \text{Deg}(W) \mid e \text{ divides } d\},$$

$$\Delta^*(e) = \{d^* \in \text{Codeg}(W) \mid e \text{ divides } d^*\},$$

$$\delta(e) = |\Delta(e)| \quad \text{and} \quad \delta^*(e) = |\Delta^*(e)|.$$

With this notation, we have

$$(2.11) \quad \delta(e) = \max_{w \in W} (\dim V(w, \zeta_e)).$$

In particular, ζ_e is an eigenvalue of some element of W if and only if $\delta(e) \neq 0$ that is, if and only if $e \in \{1, 2, 3, 4, 5, 6, 8, 9, 12\}$. In this case, we fix an element w_e of W of minimal order such that

$$\dim V(w_e, \zeta_e) = \delta(e).$$

We set for simplification $V(e) = V(w_e, \zeta_e)$ and $W(e) = W[V(e)] = W_{V(e)}^{\text{set}}/W_{V(e)}^{\text{pt}}$.

If $f \in \mathbb{C}[V]$, we denote by $f^{[e]}$ its restriction to $V(e)$. Note that if $d \notin \Delta(e)$, then $f_d^{[e]} = 0$ by Lemma 1.1.

Theorem 2.12 (Springer, Lehrer-Springer). — Assume that $\delta(e) \neq 0$. Then:

- (a) If $w \in W$, then there exists $x \in W$ such that $x(V(w, \zeta_e)) \subset V(e)$.
- (b) $W(e)$ acts (faithfully) on $V(e)$ as a group generated by reflections.
- (c) The family $(f_d^{[e]})_{d \in \Delta(e)}$ is a family of fundamental invariants of $W(e)$. In particular, the list of degrees of $W(e)$ consists of the degrees of W which are divisible by e .
- (d) We have

$$\bigcup_{w \in W} V(w, \zeta_e) = \bigcup_{x \in W} x(V(e)) = \{v \in V \mid \forall d \in \text{Deg}(W) \setminus \Delta(e), f_d(v) = 0\}.$$

- (e) $\delta^*(e) \geq \delta(e)$ with equality if and only if $W_{V(e)}^{\text{pt}} = 1$.
- (f) If $\delta^*(e) = \delta(e)$, then w_e has order e , $W(e) = W_{V(e)}^{\text{set}} = C_W(w_e)$ and the multiset of eigenvalues (with multiplicity) of w_e is equal to $\{\{\zeta_e^{1-d}\}\}_{d \in \text{Deg}(W)}$. Moreover, if w is such that $\dim V(w, \zeta_e) = \delta(e)$, then w is conjugate to w_e .

Example 2.13. — Let $e \in \{8, 9, 12\}$. Then $\delta(e) = \delta^*(e) = 1$. So $V(e)$ is a line in V , and can be viewed as an element of $\mathbb{P}(V)$. It follows from the above results that

$$W_{V(e)} = \langle w_e \rangle$$

(see for instance [BoSa1, Rem. 3.14] for a proof).

Moreover, by Theorem 2.12(f), we have $\det(w_e) = \zeta_e^{-36}$, so

$$w_9, w_{12} \in W' \quad \text{and} \quad w_8 \notin W'.$$

In particular, if we denote by p_e (resp. q_e) the image of $V(e)$ in $\mathbb{P}(V)/W'$ (resp. $\mathbb{P}(V)/W$), then the morphism ω is unramified (resp. ramified) over q_9 and q_{12} (resp. p_8). This implies also that $\sigma(p_9) \neq p_9$ and $\sigma(p_{12}) \neq p_{12}$. ■

Example 2.14. — Note that $\delta^*(5) = 2 > \delta(5) = 1$ while, if $e \in \{1, 2, 3, 4, 6, 8, 9, 12\}$, then $\delta^*(e) = \delta(e)$. If x is an element of order 5, then x admits a primitive fifth root of unity as eigenvalue, so admits ζ_5 as an eigenvalue because x is represented by a matrix with rational coefficients. So we can take $w_5 = x$, and so w_5 has order 5.

The above argument shows that the multiset of eigenvalues of w_5 is $\{\{1, 1, \zeta_5, \zeta_5^2, \zeta_5^3, \zeta_5^4\}\}$. Now, if w is an element of W such that $w(V(5)) = V(5)$, then, since w is defined over \mathbb{Q} , it stabilizes the ζ_5^k -eigenspace of w for $k \in \{1, 2, 3, 4\}$. Therefore, it stabilizes the sum E of these 4 eigenspaces. But $E = \text{Ker}(\text{Id}_V + w_5 + w_5^2 + w_5^3 + w_5^4)$ is defined over \mathbb{Q} (and so over \mathbb{R}) so its orthogonal E^\perp in V with respect to the bilinear form \langle, \rangle satisfies $E \oplus E^\perp = V$ (because its restriction to \mathbb{R}^6 is positive definite). This shows that w and w_5 stabilize also E^\perp , which is necessarily equal to $\text{Ker}(w_5 - \text{Id}_V)$. In particular w centralizes w_5 . But, by the fourth line of Computation I.12, we have $C_{W'}(w_5) = \langle w_5 \rangle$. So we have proved that

$$W'_{V(5)} = \langle w_5 \rangle.$$

This fact will be used in the proof of Theorem 3.2. ■

3. K3 surfaces

Let

$$\mathcal{X} = \mathcal{X}(f_2, f_6, f_8)$$

and, for $\lambda, \mu \in \mathbb{C}$, set

$$\mathcal{Y}_{\lambda, \mu} = \mathcal{X}(f_5, f_6 + \lambda f_2^3, f_8 + \mu f_2^4).$$

Note that the invariants f_2 and f_5 are uniquely defined up to a scalar and that, up to a scalar, every fundamental invariant of degree 6 (resp. 8) is of the form $f_6 + \lambda f_2^3$ (resp. $f_8 + \mu f_2^4 + \nu f_6 f_2$) for some $\lambda \in \mathbb{C}$ (resp. $\mu, \nu \in \mathbb{C}$). But $\mathcal{X}(f_2, f_6 + \lambda f_2^3, f_8 + \mu f_2^4 + \nu f_6 f_2) = \mathcal{X}$ and $\mathcal{X}(f_5, f_6 + \lambda f_2^3, f_8 + \mu f_2^4 + \nu f_6 f_2) = \mathcal{Y}_{\lambda, \mu - \lambda \nu}$. So this shows in particular that \mathcal{X} does not depend on the choices of the fundamental invariants of W . By construction, \mathcal{X} and $\mathcal{Y}_{\lambda, \mu}$ are W -stable.

Proposition 3.1. — *With the above notation, we have:*

- (a) \mathcal{X} is a smooth irreducible surface, which is a complete intersection in $\mathbb{P}(V)$.
- (b) If $\lambda, \mu \in \mathbb{C}$, then $\mathcal{Y}_{\lambda, \mu}$ has pure dimension 2, and so is a complete intersection in $\mathbb{P}(V)$. If it is smooth or has only ADE singularities, then it is irreducible.
- (c) The set of $(\lambda, \mu) \in \mathbb{C}^2$ such that $\mathcal{Y}_{\lambda, \mu}$ is smooth is a non-empty open subset of \mathbb{C}^2 .

Proof. — Through the isomorphism (2.5), we have

$$\mathcal{X}/W \simeq \mathbb{P}(5, 9, 12) \quad \text{and} \quad \mathcal{Y}_{\lambda,\mu}/W \simeq \mathbb{P}(2, 9, 12),$$

so \mathcal{X}/W and $\mathcal{Y}_{\lambda,\mu}/W$ are irreducible of dimension 2. Since W is finite, this implies that \mathcal{X} and $\mathcal{Y}_{\lambda,\mu}$ are of pure dimension 2 and so are complete intersections. In particular, they are connected [Har, Chap. II, Exer. 8.4(c)].

(a) By Computation I.1, the open affine chart of \mathcal{X} defined by $x_6 \neq 0$ is smooth. This shows that the singular locus \mathcal{S} of \mathcal{X} is contained in the projective hyperplane $\mathbb{P}(H)$, where $H = \{(x_1, x_2, x_3, x_4, x_5, x_6) \in \mathbb{C}^6 \mid x_6 = 0\}$. Since W acts on \mathcal{X} , we have that \mathcal{S} is contained in $\mathbb{P}(\cap_{w \in W} w(H))$. But $\cap_{w \in W} w(H)$ is a W -stable proper subspace of V , so it is equal to $\{0\}$ since W acts irreducibly on V . Hence $\mathcal{S} = \emptyset$. This shows that \mathcal{X} is smooth and, in particular, irreducible (because it is connected).

(b) We already know that $\mathcal{Y}_{\lambda,\mu}$ is connected. If moreover it admits only ADE singularities, then it is necessarily irreducible.

(c) Let U be the set of $(\lambda, \mu) \in \mathbb{C}^2$ such that $\mathcal{Y}_{\lambda,\mu}$ is smooth. It is clear that U is open, so we only need to prove that it is non-empty. With the particular choice of fundamental invariants given in Appendix I, we have that the open affine chart of $\mathcal{Y}_{0,0}$ defined by $x_6 \neq 0$ is smooth by Computation I.1. The same argument as in (a) allows to conclude that $\mathcal{Y}_{0,0}$ is smooth and irreducible. \square

We are now ready to state the first main result of this paper:

Theorem 3.2. — *Let $\lambda, \mu \in \mathbb{C}$ be such that $\mathcal{Y}_{\lambda,\mu}$ admits only ADE singularities and let \mathcal{V} be one of the varieties \mathcal{X} or $\mathcal{Y}_{\lambda,\mu}$. Then \mathcal{V}/W' is a K3 surface with only ADE singularities and its minimal smooth resolution $\tilde{\mathcal{V}}$ is a smooth K3 surface.*

Proof. — The proof will be given in the next subsections, following the same lines as [BoSa1, Theo. 5.4]. More precisely, if \mathcal{V} denotes one of the above varieties \mathcal{X} or $\mathcal{Y}_{\lambda,\mu}$, we will prove in the next subsections the following three facts:

- (A) The smooth locus of \mathcal{V}/W' admits a symplectic form (see Lemma 3.5);
- (B) The variety \mathcal{V}/W' has only ADE singularities (see Lemma 3.7);
- (C) The Euler characteristic of \mathcal{V}/W' is positive (see Lemma 3.10).

Therefore, by (A) and (B), the variety \mathcal{V}/W' is a symplectic singularity and its minimal smooth resolution $\tilde{\mathcal{V}}$ is a crepant resolution, i.e. a symplectic resolution. So $\tilde{\mathcal{V}}$ admits a symplectic form. By the classification of surfaces, this forces $\tilde{\mathcal{V}}$ to be a smooth K3 surface or an abelian variety. But, by (B), the Euler characteristic of $\tilde{\mathcal{V}}$ is greater than or equal to the one of \mathcal{V}/W' , so the Euler characteristic of $\tilde{\mathcal{V}}$ is positive by (C). Since an abelian variety has Euler characteristic 0, this shows that $\tilde{\mathcal{V}}$ is a smooth K3 surface. \square

So it remains to prove the three facts (A), (B) and (C) used in the above proof.

Notation. For the rest of this section, we fix λ, μ in \mathbb{C} such that $\mathcal{Y}_{\lambda,\mu}$ admits only ADE singularities and we denote by \mathcal{V} a variety which can be \mathcal{X} or $\mathcal{Y}_{\lambda,\mu}$.

Recall that this implies that \mathcal{V} is irreducible and normal and, in particular, that \mathcal{V}/W' is irreducible and normal too.

3.A. Symplectic form. — Through the isomorphism (2.10), we have

$$\mathcal{X}/W' \simeq \{[z_5 : z_9 : z_{12} : j] \in \mathbb{P}(5, 9, 12, 36) \mid j^2 = P_{\mathbf{f}}(0, z_5, 0, 0, z_9, z_{12})\}$$

and $\mathcal{Y}_{\lambda, \mu}/W' \simeq \{[z_2 : z_9 : z_{12} : j] \in \mathbb{P}(2, 9, 12, 36) \mid j^2 = P_{\mathbf{f}}(z_2, 0, -\lambda z_2^3, -\mu z_2^4, z_9, z_{12})\}$.

But note that $\mathbb{P}(5, 9, 12, 36) = \mathbb{P}(5, 3, 4, 12)$, so there exists a unique homogeneous polynomial $Q_{\mathbf{f}} \in \mathbb{C}[Y_5, Y_3, Y_4]$ of degree 24 (where Y_i is endowed with the degree i) such that $P_{\mathbf{f}}(0, z_5, 0, 0, z_9, z_{12}) = Q_{\mathbf{f}}(z_5^3, z_9, z_{12})$. Hence,

$$(3.3) \quad \mathcal{X}/W' \simeq \{[y_5 : y_3 : y_4 : j] \in \mathbb{P}(5, 3, 4, 12) \mid j^2 = Q_{\mathbf{f}}(y_5, y_3, y_4)\}.$$

So the degree of the equation defining \mathcal{X}/W' (namely, 24) is equal to the sum of the weights of the projective space (namely, $5 + 3 + 4 + 12$). By [BoSa1, Lem. A.1], this implies that the smooth locus of \mathcal{X}/W' is endowed with a symplectic form.

On the other hand, $\mathbb{P}(2, 9, 12, 36) = \mathbb{P}(1, 9, 6, 18) = \mathbb{P}(1, 3, 2, 6)$ so there exists a unique homogeneous polynomial $Q_{\mathbf{f}}^{\lambda, \mu} \in \mathbb{C}[Y_1, Y_3, Y_2]$ of degree 12 (where Y_i is endowed with the degree i) such that $P_{\mathbf{f}}(z_2, 0, -\lambda z_2^3, -\mu z_2^4, z_9, z_{12}) = Q_{\mathbf{f}}^{\lambda, \mu}(z_2^3, z_9, z_{12})$. Hence,

$$(3.4) \quad \mathcal{Y}_{\lambda, \mu}/W' \simeq \{[y_1 : y_3 : y_2 : j] \in \mathbb{P}(1, 3, 2, 6) \mid j^2 = Q_{\mathbf{f}}^{\lambda, \mu}(y_1, y_3, y_2)\}.$$

So the degree of the equation defining $\mathcal{Y}_{\lambda, \mu}/W'$ (namely, 12) is equal to the sum of the weights of the projective space (namely, $1 + 3 + 2 + 6$). By [BoSa1, Lem. 5.4], this implies that the smooth locus of \mathcal{X}/W' is endowed with a symplectic form. Therefore, we have proved the following lemma, which corresponds to the Fact (A) stated in the proof of Theorem 3.2:

Lemma 3.5. — *The smooth locus of \mathcal{V}/W' admits a symplectic form.*

Remark 3.6. — In both cases, the ramification locus of the morphism $\omega : \mathcal{V}/W' \rightarrow \mathcal{V}/W$ is given by the equation $j = 0$ (in the models given by equations (3.3) or (3.4)). ■

3.B. Singularities. — We aim to prove here the following lemma, which corresponds to the Fact (B) stated in the proof of Theorem 3.2:

Lemma 3.7. — *The surface \mathcal{V}/W' has only ADE singularities.*

Proof. — First, as \mathcal{V} has only ADE singularities and W' has index 2 in W , every point of \mathcal{V}/W' lying above a smooth point of \mathcal{V}/W is smooth or is an ADE singularity by [BoSa1, Coro. B.7]. So it remains only to study the points lying above the singular points of \mathcal{V}/W .

The singular points of $\mathcal{X}/W \simeq \mathbb{P}(5, 3, 4)$ are $q_5 = [1 : 0 : 0]$, $q_9 = [0 : 1 : 0]$ and $q_{12} = [0 : 0 : 1]$. The singular points of $\mathcal{Y}_{\lambda, \mu}/W \simeq \mathbb{P}(1, 3, 2)$ are $q_9 = [0 : 1 : 0]$ and $q_{12} = [0 : 0 : 1]$. Note that the notation q_9 and q_{12} is consistent with Example 2.13, as they correspond to the points q_9 and q_{12} defined in this example through the embeddings $\mathcal{V}/W \hookrightarrow \mathbb{P}(V)/W \simeq \mathbb{P}(2, 5, 6, 8, 9, 12)$. Still by Example 2.13, the morphism $\mathcal{V}/W' \rightarrow \mathcal{V}/W$ is unramified above q_9 and q_{12} . Therefore, the points p_9 and $p'_9 = \sigma(p_9)$ (resp. p_{12} and $p'_{12} = \sigma(p_{12})$) of \mathcal{V}/W' are distinct and have the same type of singularities than the point q_9 (resp. q_{12}) of \mathcal{V}/W . But q_9 is a singular point of type A_2 of $\mathbb{P}(5, 3, 4)$ or $\mathbb{P}(1, 3, 2)$ and q_{12} is a singular point of type A_3 (resp. A_1) of $\mathbb{P}(5, 3, 4)$ (resp. $\mathbb{P}(1, 3, 2)$). This shows that the following results holds:

Lemma 3.8. — *We have:*

- (a) *The points p_9 and p'_9 are A_2 singularities of \mathcal{X}/W' and the points p_{12} and p'_{12} are A_3 singularities of \mathcal{X}/W' .*

- (b) *The points p_9 and p'_9 are A_2 singularities of $\mathcal{Y}_{\lambda,\mu}/W'$ and the points p_{12} and p'_{12} are A_1 singularities of $\mathcal{Y}_{\lambda,\mu}/W'$.*

Therefore, it remains to prove that the points of \mathcal{X}/W' lying above q_5 are ADE singularities. For this, note that

$$\pi^{-1}(q_5) = \{x \in \mathbb{P}(V) \mid f_2(x) = f_6(x) = f_8(x) = f_9(x) = f_{12}(x) = 0\}.$$

But, by (2.11) and Theorem 2.12(d) applied to the case where $e = 5$, we get that $V(5)$ is a line in V , so may be viewed as a point of $\mathbb{P}(V)$ and $\pi_{\mathbf{f}}^{-1}(q_5)$ is the W -orbit of $V(5)$. Now, $\delta^*(5) = 2 > \delta(5) = 1$, so it follows from Theorem 2.12(f) that $W_{V(5)}^{\text{pt}} \neq 1$. By Steinberg's Theorem (see for instance [Bro, Theo. 4.7]), this shows that $W_{V(5)}^{\text{pt}}$ contains a reflection, and so the stabilizer G of $V(5)$ in W contains a reflection. In particular, G is not contained in W' . This proves that the morphism $\mathcal{X}/W' \rightarrow \mathcal{X}/W$ is ramified above q_5 : we denote by p_5 the unique point of \mathcal{X}/W' lying above q_5 .

Now, Example 2.14 shows that the stabilizer of $V(5)$ in W' is $\langle w_5 \rangle$. So, in order to determine the type of singularity of \mathcal{X}/W' at p_5 , we only need to determine the two eigenvalues of w_5 for its action on $T_{V(5)}(\mathcal{X})$. This is easily done thanks to Corollary 1.4: the two eigenvalues are ζ_5 and ζ_5^{-1} . We have thus proved the following result:

Lemma 3.9. — *The point p_5 is an A_4 singularity of \mathcal{X}/W' .*

This completes the proof of Lemma 3.7. □

3.C. Euler characteristic. — Since \mathcal{V} is a complete intersection which is smooth or has only ADE singularities, its cohomology (with coefficients in \mathbb{C}) is concentrated in even degree [Dim, Theo. 2.1, Lem. 3.2 and Example 3.3]. Now, $H^k(\mathcal{V}/W', \mathbb{C}) \simeq H^k(\mathcal{V}, \mathbb{C})^{W'}$, so the cohomology of \mathcal{V}/W' is concentrated in even degree. This implies the next lemma, which corresponds to the Fact (C) stated in the proof of Theorem 3.2, and completes the proof of Theorem 3.2:

Lemma 3.10. — *The Euler characteristic of \mathcal{V}/W' is positive.*

Notation. *The minimal smooth resolution of \mathcal{X}/W' will be denoted by $\rho : \tilde{\mathcal{X}} \rightarrow \mathcal{X}/W'$. Theorem 3.2 says $\tilde{\mathcal{X}}$ is a smooth projective K3 surface.*

4. Some numerical data for the surface \mathcal{X}/W'

We complete here the qualitative result given by Theorem 3.2 with some concrete results concerning the surface \mathcal{X}/W' (type of singularities, equation, coordinates of singular points, cohomology,...). These informations will be used in the next section to obtain further properties of the K3 surface $\tilde{\mathcal{X}}$ (Picard lattice, elliptic fibration,...).

4.A. Singularities. — In the course of the proof of Theorem 3.2, we have obtained some quantitative results (see Lemmas 3.8 and 3.9). We complete them by determining all the singularities of \mathcal{X}/W' :

Proposition 4.1. — *The surface \mathcal{X}/W' admits $A_4 + 2A_3 + 3A_2 + 2A_1$ singularities.*

Proof. — For proving this proposition, we must investigate fixed points under various elements of W' , up to conjugacy. Note also that we have already found $A_4 + 2A_3 + 2A_2$ singularities in \mathcal{X}/W' (see Lemma 3.8 and 3.9), given by the points p_5, p_9, p'_9, p_{12} and p'_{12} lying respectively above the points $q_5 = [1 : 0 : 0]$, $q_9 = [0 : 1 : 0]$ and $q_{12} = [0 : 0 : 1]$ of $\mathcal{X}/W \simeq \mathbb{P}(5, 3, 4)$.

Note also that, for any $w \in W$, the fixed point scheme \mathcal{X}^w is also smooth and in particular is reduced (so, in the MAGMA computations necessary in the proof of the proposition, we do not need to compute its reduced subscheme for determining the exact number of points). So let us now investigate the fixed points subscheme, by letting the order of w increasing.

Lemma 4.2 (Elements of order 2). — *There are two conjugacy classes of elements of order 2: the one of the element w_2 defined after Theorem 2.12 with eigenvalues $\{1, 1, -1, -1, -1, -1\}$ and the one of an element v_2 admitting $\{1, 1, 1, 1, -1, -1\}$ as a list of eigenvalues. Moreover:*

- (a) *The image of \mathcal{X}^{w_2} in \mathcal{X}/W' is contained in $\{p_{12}, p'_{12}\}$.*
- (b) *The image of \mathcal{X}^{v_2} in \mathcal{X}/W' consists in two elements p_1 and p'_1 which are both A_1 singularities.*

Proof of Lemma 4.2. — The first statement is proved in Computation I.2.

(a) By Computation I.3, \mathcal{X}^{w_2} has dimension 0 and is contained in $\mathcal{X}(f_5, f_9)$, so its image in \mathcal{X}/W is q_{12} . This proves (a).

(b) By the first four commands in Computation I.4, we know that \mathcal{X}^{v_2} has dimension 0 and consists of 96 points. The fifth command shows that, if $g \in W' \setminus \{1, v_2\}$, then

$$(\clubsuit) \quad \mathcal{X}^g \cap \mathcal{X}^{v_2} = \emptyset.$$

If the reader wants to check this computation, he or she must be aware that it takes about 10 minutes on a standard computer. We now need to understand how many W' -orbits meet \mathcal{X}^{v_2} . For this, let $w \in W'$ and $x \in \mathcal{X}^{v_2}$ be such that $w(x) \in \mathcal{X}^{v_2}$. Then $w^{-1}v_2w(x) = x$ and so it follows from (\clubsuit) that $w^{-1}v_2w = v_2$ or, in other words, that $w \in C_{W'}(v_2)$.

But $|C_{W'}(v_2)| = 96$ thanks to the last two commands of Computation I.4. Since $C_{W'}(v_2)/\langle v_2 \rangle$ acts freely on \mathcal{X}^{v_2} by (\clubsuit) , there are two $C_{W'}(v_2)$ -orbits in \mathcal{X}^{v_2} , and we denote by p_1 and p'_1 their image in \mathcal{X}/W' . Still by (\clubsuit) , they are both singularities of type A_1 (indeed, if $x \in \mathcal{X}^{v_2}$, the action of v_2 on $T_x(\mathcal{X})$ has no eigenvalue equal to 1, because x is isolated; thus, v_2 acts as $-\text{Id}_{T_x(\mathcal{X})}$). \square

Lemma 4.3 (Elements of order 3). — *There are four conjugacy classes of elements of order 3: the one of the element w_3 defined after Theorem 2.12 with eigenvalues $\{\{\zeta_3, \zeta_3, \zeta_3, \zeta_3^2, \zeta_3^2, \zeta_3^2\}\}$, the one of its inverse w_3^{-1} , the one of an element v_3 with eigenvalues $\{\{1, 1, \zeta_3, \zeta_3, \zeta_3^2, \zeta_3^2\}\}$ and the one of an element u_3 with eigenvalues $\{\{1, 1, 1, 1, \zeta_3, \zeta_3^2\}\}$. Moreover:*

- (a) $\mathcal{X}^{w_3} = \mathcal{X}^{w_3^{-1}}$ has pure dimension 1.
- (b) \mathcal{X}^{v_3} contains 12 points. Moreover, if $x \in \mathcal{X}^{v_3}$, then W'_x has order 9 and acts as a reflection group on $T_x(\mathcal{X})$. Hence, the image of x in \mathcal{X}/W' is smooth.
- (c) \mathcal{X}^{u_3} contains 96 points. Moreover, if $x \in \mathcal{X}^{u_3}$, then one of the following holds:
 - (c1) $W'_x = \langle u_3 \rangle$ and u_3 acts on $T_x(\mathcal{X})$ with eigenvalues ζ_3 and ζ_3^2 . Hence the image of x in \mathcal{X}/W' is an A_2 singularity.
 - (c2) W'_x has order 9 and acts as a reflection group on $T_x(\mathcal{X})$. Hence, the image of x in \mathcal{X}/W' is smooth.

Also, all the points x satisfying (c1) belong to the same W' -orbit, and their image p_2 in \mathcal{X}/W' is not equal to p_9 or p'_9 .

Proof of Lemma 4.3. — The first statement and (a) are both proved in Computation I.5.

(b) The first three commands of Computation I.6 show that \mathcal{X}^{v_3} has dimension 0. The next two commands of Computation I.6 show that the set $G(v_3)$ of elements $w \in W'$ such that $\mathcal{X}^{v_3} \cap \mathcal{X}^w \neq \emptyset$ has cardinality 9. The next three commands of Computation I.6 show that $G(v_3)$ is a group isomorphic to $\mu_3 \times \mu_3$. The last command of Computation I.6 show that $\mathcal{X}^{v_3} \subset \mathcal{X}^w$ for all $w \in G(v_3)$.

This implies that, if $x \in \mathcal{X}^{v_3}$, then its stabilizer in W' is isomorphic to $\mu_3 \times \mu_3$. But, up to conjugacy, the only subgroup of $\mathrm{GL}_{\mathbb{C}}(T_x(\mathcal{X})) \simeq \mathrm{GL}_2(\mathbb{C})$ isomorphic to $\mu_3 \times \mu_3$ is $\langle \mathrm{diag}(\zeta_3, 1), \mathrm{diag}(1, \zeta_3) \rangle$, which is a reflection group.

(c) The first four commands of Computation I.7 show that \mathcal{X}^{u_3} has dimension 0 and contains 96 points. The next two commands of Computation I.7 show that the normalizer $N(u_3) = N_{W'}(\langle u_3 \rangle)$ has order 216. Note that $N(u_3)$ acts on \mathcal{X}^{u_3} . Also, the scheme \mathcal{X}^{u_3} is naturally defined over \mathbb{Q} (we denote by $\mathcal{X}_{\mathbb{Q}}^{u_3}$ its \mathbb{Q} -form) and computations in MAGMA are performed over \mathbb{Q} . Therefore, the last three commands of Computation I.7 show that the scheme $\mathcal{X}_{\mathbb{Q}}^{u_3}$ has three irreducible components $\mathcal{F}_1, \mathcal{F}_2$ and \mathcal{F}_3 , admitting respectively 72, 12 and 12 points over \mathbb{C} : we set $A = \mathcal{F}_1(\mathbb{C})$ and $B = \mathcal{F}_2(\mathbb{C}) \cup \mathcal{F}_3(\mathbb{C})$. In particular, $|A| = 72$ and $|B| = 24$. Note that the group $N(u_3)/\langle u_3 \rangle$ acts on A and B .

(c1) The first three lines of Computation I.8 show that, if $w \in W' \setminus \langle u_3 \rangle$, then $A \cap \mathcal{X}^w = \emptyset$. This shows that $N(u_3)/\langle u_3 \rangle$ acts freely on A . Since $|A| = 72 = |N(u_3)/\langle u_3 \rangle|$, this also shows that $N(u_3)$ acts transitively: we denote by p'_3 the unique point in the image of A in \mathcal{X}/W' . Note that $p_2 \notin \{p_9, p'_9\}$ by the last line of Computation I.8.

Since the stabilizer of any point x in A is equal to $\langle u_3 \rangle$, we need to determine the eigenvalues of u_3 for its action on $T_x(\mathcal{X})$. Now, let $v \in V \setminus \{0\}$ be such that $[v] \in A$. Then $u_3(v) = \xi v$ for some $\xi \in \mu_3$. Since x is a smooth point of \mathcal{X} , it follows from Corollary 1.4 that the multiset $\{\{\xi^{-2}, \xi^{-6}, \xi^{-8}\}\}$ is contained in the multiset $\{\{\xi^{-1}, \xi^{-1}, \xi^{-1}, \xi^{-1}, \xi^{-1}\zeta_3, \xi^{-1}\zeta_3^2\}\}$. This forces $\xi = 1$ and, still by

Corollary 1.4, this implies that the eigenvalues of u_3 for its action on $T_x(\mathcal{X})$ are ζ_3 and ζ_3^2 . This shows that p_2 is an A_2 singularity.

(c2) The first three lines of Computation I.9 show that the set T_B of elements w of W' such that $B \cap \mathcal{X}^w \neq \emptyset$ contains 15 elements. By the next three lines of Computation I.9, the group G_B generated by T_B has order 27 and is contained in $N(u_3)$. Now, let $x \in B$. Then its stabilizer W'_x is contained in G_B . Since $|N(u_3)| = 216$ and $|B| = 24$, this forces $|W'_x| \geq 9$. But $W'_x \neq G_B$ because there are elements $w \in G_B$ such that $B \cap \mathcal{X}^w = \emptyset$ (see the seventh line of Computation I.9). So $|W'_x| = 9$. Finally, by the last command of Computation I.9, we have that $G_B \simeq \mu_3 \times \mu_3 \times \mu_3$, so $W'_x \simeq \mu_3 \times \mu_3$. Now, as in (b), we conclude that the image of x in \mathcal{X}/W' is smooth because the unique subgroup of $\mathrm{GL}_2(\mathbb{C})$ isomorphic to $\mu_3 \times \mu_3$ is generated by reflections. \square

Lemma 4.4 (Elements of order 4). — *There are two conjugacy classes of elements of order 4: the one of the element w_4 defined after Theorem 2.12 with eigenvalues $\{1, 1, i, i, -i, -i\}$ and the one of an element v_4 admitting $\{1, 1, -1, -1, i, -i\}$ as a list of eigenvalues. Moreover:*

- (a) *The image of \mathcal{X}^{w_4} in \mathcal{X}/W' is $\{p_{12}, p'_{12}\}$.*
- (b) *$\mathcal{X}^{v_4} = \emptyset$.*

Proof of Lemma 4.4. — This follows immediately from Computation I.11. \square

Lemma 4.5 (Elements of order 5). — *There is a unique conjugacy class of elements of order 5, namely the one of the element w_5 defined after Theorem 2.12, which has $\{1, 1, \zeta_5, \zeta_5^2, \zeta_5^3, \zeta_5^4\}$ as list of eigenvalues. Moreover, \mathcal{X}^{w_5} has dimension 0 and its image in \mathcal{X}/W' is the point p_5 defined in the proof of Lemma 3.7 (and recall that it is an A_4 singularity by Lemma 3.9).*

Proof of Lemma 4.5. — The first statement is proved in the first two lines of Computation I.12. The last three lines of Computation I.12 show that \mathcal{X}^{w_5} has dimension 0 and contains 4 points.

Now, for $1 \leq k \leq 4$, let $v_k \in V \setminus \{0\}$ be such that $w_5(v_k) = \zeta_5^k v_k$. Then $f_2(v_k) = f_6(v_k) = f_8(v_k) = f_9(v_k) = f_{12}(v_k) = 0$ by Lemma 1.1, so $[v_k] \in \mathcal{X}^{w_5}$. Therefore,

$$\mathcal{X}^{w_5} = \{[v_1], [v_2], [v_3], [v_4]\}$$

and the last statement now follows from the proof of Lemma 3.7. \square

Lemma 4.6 (Elements of order 6). — *There are six conjugacy classes of elements of order 6: the one of the element w_6 defined after Theorem 2.12 with eigenvalues $\{\zeta_6, \zeta_6, \zeta_6^{-1}, \zeta_6^{-1}, \zeta_3, \zeta_3^{-1}\}$, the one of w_6^{-1} , and four others whose elements w satisfies $\dim \mathrm{Ker}(w - \zeta_6 \mathrm{Id}_V) \leq 1$. Moreover:*

- (a) *The image of $\mathcal{X}^{w_6} = \mathcal{X}^{w_6^{-1}}$ in \mathcal{X}/W' is $\{p_{12}, p'_{12}\}$.*
- (b) *If w is an element of order 6 such that $\dim \mathrm{Ker}(w - \zeta_6 \mathrm{Id}_V) \leq 1$, then $\mathcal{X}^w = \emptyset$.*

Proof of Lemma 4.6. — The first statement follows from the first 8 commands of Computation I.13. (a) follows from the next two commands of Computation I.13. (b) follows from the last command of Computation I.13. \square

Lemma 4.7 (Elements of order 9 or 12). — *There are two conjugacy classes of elements of order 9 (resp. 12): the one of the element w_9 (resp. w_{12}) defined after Theorem 2.12 and the one of w_9^{-1} (resp. w_{12}^{-1}).*

- (a) *The image of $\mathcal{X}^{w_9} = \mathcal{X}^{w_9^{-1}}$ is equal to $\{p_9, p'_9\}$.*
- (b) *The image of $\mathcal{X}^{w_{12}} = \mathcal{X}^{w_{12}^{-1}}$ is equal to $\{p_{12}, p'_{12}\}$.*

Proof of Lemma 4.7. — This is proved in Computation I.14, following the same arguments as in the proof of Lemma 4.5. \square

Since the order of an element of W' belongs to $\{1, 2, 3, 4, 5, 6, 9, 12\}$ by Computation I.15, we have investigated all the possibilities. So the proposition follows from the series of Lemmas 4.2-4.7. \square

Remark 4.8. — The fact that w_3 and w_3^{-1} are not conjugate in W' can also be checked without computer: in fact, they are not conjugate in $\mathrm{SO}(V)$ by [Bon2, Lemma 1.7]. \blacksquare

For the singular points of \mathcal{X}/W' , we keep the notation of the proof of Proposition 4.1:

- The two singular points of type A_1 are denoted by p_1 and p'_1 . Note that they are both σ -fixed because they lie above smooth points of \mathcal{X}/W (so they must lie on the ramification locus of $\omega : \mathcal{X}/W' \rightarrow \mathcal{X}/W$).
- The singular point of type A_2 coming from the fixed point locus \mathcal{X}^{u_3} , where u_3 has order 3 and satisfies $\dim V^{u_3} = 4$, is denoted by p_2 . Again, $\sigma(p_2) = p_2$.
- The singular points p_5, p_9, p'_9, p_{12} and p'_{12} involved in Lemma 3.7 are of type A_4, A_2, A_2, A_3 and A_3 respectively.

4.B. Two smooth rational curves. — Recall that $V(3)$ is the eigenspace of w_3 for the eigenvalue ζ_3 and denote by $V^-(3)$ the eigenspace of w_3 for the eigenvalue ζ_3^{-1} . By (2.11), they both have dimension 3 and so

$$(4.9) \quad V = V(3) \oplus V^-(3).$$

Let $\mathcal{C}^+ = \mathbb{P}(V(3)) \cap \mathcal{X}$ and $\mathcal{C}^- = \mathbb{P}(V^-(3)) \cap \mathcal{X}$. By Theorem 2.12(f), w_3 and w_3^{-1} are conjugate in W , but it follows from Lemma 4.3 that they are not conjugate in W' . Fix $g \in W$ be such that $w_3^{-1} = gw_3g^{-1}$. Then $g \notin W'$ and $g(V(3)) = V^-(3)$. This shows that

$$(4.10) \quad \mathcal{C}^- = g(\mathcal{C}^+).$$

Lemma 4.11. — *The schemes \mathcal{C}^+ and \mathcal{C}^- are smooth irreducible curves of genus 10.*

Proof. — By (4.9), $\mathbb{P}(V)^{w_3} = \mathbb{P}(V(3)) \dot{\cup} \mathbb{P}(V^-(3))$, where $\dot{\cup}$ means a disjoint union. So

$$(4.12) \quad \mathcal{X}^{w_3} = \mathcal{C}^+ \dot{\cup} \mathcal{C}^-.$$

Since \mathcal{X}^{w_3} is smooth, this implies that \mathcal{C}^+ and \mathcal{C}^- are smooth. Now, by Lemma 1.1, the restriction of f_2 , f_5 and f_8 to $V(3)$ are equal to 0. Therefore,

$$\mathcal{C}^+ = \{x \in \mathbb{P}(V(3)) \mid f_6(v) = 0\}$$

This shows that \mathcal{C}^+ is a connected curve of $\mathbb{P}(V(3))$. Since it is smooth, it must be irreducible. Moreover, it is of degree 6, so its genus is equal to 10. \square

Let \mathcal{C}_5^+ (resp. \mathcal{C}_5^-) denote the image of \mathcal{C}^+ (resp. \mathcal{C}^-) in \mathcal{X}/W' and let \mathcal{C}_5 denote the image of \mathcal{C}^+ in $\mathcal{X}/W \simeq \mathbb{P}(5, 3, 4)$. Note that \mathcal{C}_5 is also the image of \mathcal{C}^- by (4.10). Moreover,

$$(4.13) \quad \mathcal{C}_5 = \{[y_5, y_3, y_4] \in \mathbb{P}(5, 3, 4) \mid y_5 = 0\} = \mathbb{P}(3, 4) = \mathbb{P}^1(\mathbb{C}).$$

Indeed, \mathcal{C}_5 is irreducible, of dimension 1 and contained in $\{[y_5 : y_3 : y_4] \in \mathbb{P}(5, 3, 4) \mid y_5 = 0\}$ by Lemma 1.1 (see also Theorem 2.12(d)).

Proposition 4.14. — *We have $\mathcal{C}_5^- = \sigma(\mathcal{C}_5^+) \neq \mathcal{C}_5^+$. Moreover, \mathcal{C}_5^+ and \mathcal{C}_5^- are both isomorphic to $\mathbb{P}^1(\mathbb{C})$, intersect transversely along only one point and satisfy*

$$\mathcal{C}_5^+ \cup \mathcal{C}_5^- = \{[y_5 : y_3 : y_4 : j] \in \mathcal{X}/W' \mid y_5 = 0\}.$$

Proof. — The fact that $\mathcal{C}_5^- = \sigma(\mathcal{C}_5^+)$ follows from (4.10). Now, the irreducibility of \mathcal{C}^+ and \mathcal{C}^- implies the irreducibility of \mathcal{C}_5^+ and \mathcal{C}_5^- . Also, by (4.13),

$$\mathcal{C}_5^+ \cup \mathcal{C}_5^- \simeq \{[y_3 : y_4 : j] \in \mathbb{P}(3, 4, 12) \mid j^2 = Q_f(0, y_3, y_4)\}.$$

But $\mathbb{P}(3, 4, 12) = \mathbb{P}(3, 1, 3) = \mathbb{P}(1, 1, 1) = \mathbb{P}^2(\mathbb{C})$, so there exists a polynomial $Q_3 \in \mathbb{C}[T_3, T_4]$, which is homogenous of degree 2 (with T_k of degree 1) and such that $Q_f(0, y_3, y_4) = Q_3(y_3^4, y_4^3)$. Therefore,

$$\mathcal{C}_5^+ \cup \mathcal{C}_5^- \simeq \{[t_3 : t_4 : j] \in \mathbb{P}^2(\mathbb{C}) \mid j^2 = Q_3(t_3, t_4)\}.$$

It just remains to prove that the polynomial Q_3 is the square of a linear form: in other words, we only need to prove that $\mathcal{C}_5^+ \neq \mathcal{C}_5^-$.

Since \mathcal{C}^+ is irreducible of degree 6, it cannot be contained in a union of projective lines of $\mathbb{P}(V(3))$. Since moreover $\delta^*(3) = \delta(3) = 3$, Theorem 2.12(f) thus implies that there exists $v \in V(3) \setminus \{0\}$ such that $[v] \in \mathcal{C}^+$ and $W_v = 1$. We now only need to prove that $\pi'_f([v]) \notin \mathcal{C}^-$. So assume that $\pi'_f([v]) \in \mathcal{C}^-$. This would imply that there exists $w \in W'$ such that $w(v) \in V^-(3)$. Consequently,

$$w^{-1}w_3ww_3(v) = v,$$

and so $w^{-1}w_3ww_3 = 1$ since $W_v = 1$. Hence, w_3 and w_3^{-1} are conjugate in W' , which is impossible by Lemma 4.3. \square

By exchanging p_9 and p'_9 (resp. p_{12} and p'_{12}) if necessary, we may assume that

$$p_9, p_{12} \in \mathcal{C}_5^+ \quad \text{and} \quad p'_9, p'_{12} \in \mathcal{C}_5^-.$$

4.C. Singular points, equation. — Of course, the equation giving \mathcal{X}/W' and the coordinates of the singular points depend on a model for W and on a choice of fundamental invariants. With the choices made in Appendix I, we get:

Lemma 4.15. — *The coordinates of the singular points in $\mathbb{P}(5, 3, 4, 12)$ are given by*

$$\begin{aligned} p_5 &= [1 : 0 : 0 : 0], & p_9, p'_9 &= [0 : 1 : 0 : \pm \frac{27}{64}\sqrt{-3}], & p_{12}, p'_{12} &= [0 : 0 : 1 : \pm \frac{16}{243}\sqrt{-3}] \\ p_1, p'_1 &= [\frac{1}{9}(\eta 536\sqrt{19} + 2336) : \frac{1}{9}(-\eta 60\sqrt{19} - 260) : \frac{1}{3}(\eta 130\sqrt{19} + 565) : 0], & \text{with } \eta &= \pm 1, \\ p_2 &= [4/9 : 10/9 : -5/12 : 0]. \end{aligned}$$

Proof. — The coordinates of p_5 are given by Lemma 1.1. Let v_9 (resp. v_{12}) be a generator of the line $\text{Ker}(w_9 - \zeta_9 \text{Id}_V)$ (resp. $\text{Ker}(w_{12} - \zeta_{12} \text{Id}_V)$). The computation of the images p_9 and p_{12} of $[v_9]$ and $[v_{12}]$ are done in Computation I.16 (note that we already know that $f_5(v_9) = f_5(v_{12}) = f_9(v_{12}) = f_{12}(v_9) = 0$). To renormalize p_9 (resp. p_{12}), we just need to compute the corresponding value of j^2/y_3^8 (resp. j^2/y_4^6) and we get the result.

For the coordinates of p'_1 and p''_1 , we compute the image of \mathcal{X}^{v_2} and renormalize the solutions (see Computation I.17). We do a similar work for p_2 , by using the set A involved in the proof of Lemma 4.3 (see Computation I.18). \square

Let us complete this result by computing the coordinates of the intersection point p of \mathcal{C}_5^+ and \mathcal{C}_5^- . For this, note that $f_5(x) = \text{Jac}(x) = 0$ for all $x \in \mathcal{X}^{v_3}$ (see the first two lines of Computation I.19). Therefore, p is the image of \mathcal{X}^{v_3} under the map π'_f . This image is computed in Computation I.19 and we get

$$(4.16) \quad p := [0 : 2/9 : 1/4 : 0].$$

We are now ready to compute the equation of \mathcal{X}/W' . A direct way would be to compute the polynomial P_f involved in (2.10). However, this is a too long computation and our computer collapsed... So we need another approach.

First, it follows from Lemma 4.14 and its proof that there exist α and β in \mathbb{C} such that

$$Q_f(y_5, y_3, y_4) \equiv (\alpha y_3^4 + \beta y_4^3)^2 \pmod{y_5}.$$

To obtain the coefficients α and β , we just apply this equation to the coordinates of $p_9, p'_9, p_{12}, p'_{12}$ and p computed in Lemma 4.15 and in (4.16). We then get

$$Q_f(y_5, y_3, y_4) \equiv -3 \left(\frac{27}{64} y_3^4 - \frac{16}{243} y_4^3 \right)^2 \pmod{y_5}.$$

By investigating all possible monomials of degree 19 in y_5, y_3, y_4 , we get that there exist complex numbers a, b, c, d, e such that

$$Q_f(y_5, y_3, y_4) \equiv -3 \left(\frac{27}{64} y_3^4 - \frac{16}{243} y_4^3 \right)^2 - y_5 R$$

with

$$R = y_3 y_4 (a y_3^4 + b y_4^3) + c y_5 y_3^2 y_4^2 + d y_5^2 y_3^3 + e y_5^4 y_4.$$

Using the fact that p_1, p'_1, p_2 belong to \mathcal{X}/W' , this gives three equations for a, b, c, d, e . Computing the image $\mathcal{X}^{s_2} \cap \mathbb{P}(\text{Ker}(x_1))$ in \mathcal{X}/W' gives two Galois conjugate points r and r' with coordinates in $\mathbb{Q}(\sqrt{6})$ (see Computation I.20). This leads to two other equations for a, b, c, d, e . Solving this system with five equations and five unknowns (see Computation I.21)

yields a unique solution, which is given by $(a, b, c, d, e) = (\frac{207}{32}, \frac{800}{729}, \frac{1375}{81}, -\frac{3125}{864}, -\frac{3125}{108})$. In other words:

$$(4.17) \quad \mathcal{X}/W' = \{[y_5 : y_3 : y_4 : j] \in \mathbb{P}(5, 3, 4, 12) \mid j^2 = -3(\frac{27}{64}y_3^4 - \frac{16}{243}y_4^3)^2 - y_5R(y_5, y_3, y_4)\}$$

with

$$(4.18) \quad R = y_3y_4(\frac{207}{32}y_3^4 + \frac{800}{729}y_4^3) + \frac{1375}{81}y_5y_3^2y_4^2 - \frac{3125}{864}y_5^2y_3^3 - \frac{3125}{108}y_5^3y_4.$$

4.D. Affine charts. — In the sequel, we will need to compute in the standard open affine charts of $\mathbb{P}(5, 3, 4, 12)$. If $k \in \{3, 4, 5\}$, we denote by \mathcal{U}_k the open subset defined by

$$\mathcal{U}_k = \{[y_5 : y_3 : y_4 : j] \in \mathbb{P}(5, 3, 4, 12) \mid y_k \neq 0\}.$$

Since \mathcal{X}/W' is contained in $\mathcal{U}_5 \cup \mathcal{U}_3 \cup \mathcal{U}_4$, we do not need to work in the affine chart defined by $j \neq 0$.

4.D.1. The affine chart \mathcal{U}_3 . — Let us first start with \mathcal{U}_3 . Setting $y_3 = 1$, the new variables are $a_3 = y_5^3$, $b_3 = y_4^3$, $c_3 = y_5y_4$ and j . So

$$\mathcal{U}_3 = \{(a_3, b_3, c_3, j) \in \mathbb{A}^4(\mathbb{C}) \mid c_3^3 = a_3b_3\}.$$

Then it follows from (4.17) that

$$(4.19) \quad (\mathcal{X}/W') \cap \mathcal{U}_3 = \{(a_3, b_3, c_3, j) \in \mathbb{A}^4(\mathbb{C}) \mid c_3^3 = a_3b_3 \text{ and } j^2 = -3(\frac{27}{64} - \frac{16}{243}b_3)^2 - \frac{207}{32}c_3 - \frac{800}{729}b_3c_3 - \frac{1375}{81}c_3^2 + \frac{3125}{864}a_3 + \frac{3125}{108}a_3c_3\}.$$

4.D.2. The affine chart \mathcal{U}_4 . — Let us now turn to \mathcal{U}_4 . Setting $y_4 = 1$, the new variables are $a_4 = y_5^4$, $b_4 = y_3^4$, $c_4 = y_5y_3$ and j . So

$$\mathcal{U}_4 = \{(a_4, b_4, c_4, j) \in \mathbb{A}^4(\mathbb{C}) \mid c_4^4 = a_4b_4\}.$$

Then it follows from (4.17) that

$$(4.20) \quad (\mathcal{X}/W') \cap \mathcal{U}_4 = \{(a_4, b_4, c_4, j) \in \mathbb{A}^4(\mathbb{C}) \mid c_4^4 = a_4b_4 \text{ and } j^2 = -3(\frac{27}{64}b_4 - \frac{16}{243})^2 - \frac{207}{32}b_4c_4 - \frac{800}{729}c_4 - \frac{1375}{81}c_4^2 + \frac{3125}{864}c_4^3 + \frac{3125}{108}a_4\}.$$

4.D.3. The affine chart \mathcal{U}_5 . — Obtaining the equation of $(\mathcal{X}/W') \cap \mathcal{U}_5$ is much more complicated. This is done in Appendix I (more precisely, in §I.E). The result is given by Computation I.26: setting $y_5 = 1$ and

$$Y_3 = y_3^5, \quad Y_4 = y_4^5, \quad h_1 = y_3j, \quad h_2 = y_3^2y_4, \quad h_3 = y_4^2j \quad \text{and} \quad h_4 = y_3y_4^3,$$

we have that $(\mathcal{X}/W') \cap \mathcal{U}_5$ may be identified with the closed subvariety of $\mathbb{A}^6(\mathbb{C})$ consisting of points $(Y_3, Y_4, h_1, h_2, h_3, h_4)$ such that

$$(4.21) \quad \begin{cases} h_1 h_4 = h_2 h_3, \\ Y_4 h_2 = h_4^2, \\ Y_4 h_1 = h_3 h_4, \\ Y_3 h_4 = h_2^3, \\ Y_3 h_3 = h_1 h_2^2, \\ Y_3 Y_4 = h_2^2 h_4, \\ Y_3^2 + \frac{2944}{243} Y_3 h_2 - \frac{2048}{6561} Y_3 h_4 - \frac{400000}{59049} Y_3 + \frac{4096}{2187} h_1^2 \\ \quad + \frac{5632000}{177147} h_2^2 + \frac{3276800}{1594323} h_2 h_4 - \frac{3200000}{59049} h_2 + \frac{1048576}{43046721} h_4^2 = 0, \\ Y_3 h_2 h_4 + \frac{1048576}{43046721} Y_4^2 + \frac{3276800}{1594323} Y_4 h_4 - \frac{3200000}{59049} Y_4 \\ \quad + \frac{2944}{243} h_2^2 h_4 - \frac{2048}{6561} h_2 h_4^2 - \frac{400000}{59049} h_2 h_4 + \frac{4096}{2187} h_3^2 + \frac{5632000}{177147} h_4^2 = 0, \\ Y_3 h_2^2 + \frac{2944}{243} Y_3 h_4 + \frac{1048576}{43046721} Y_4 h_4 + \frac{4096}{2187} h_1 h_3 \\ \quad - \frac{2048}{6561} h_2^2 h_4 - \frac{400000}{59049} h_2^2 + \frac{5632000}{177147} h_2 h_4 + \frac{3276800}{1594323} h_4^2 - \frac{3200000}{59049} h_4 = 0. \end{cases}$$

4.E. Two other smooth rational curves in \mathcal{X}/W' . — For $k \in \{3, 4\}$, we set

$$\mathcal{C}_k = \{[y_5 : y_3 : y_4 : j] \in \mathcal{X}/W' \mid y_k = 0\}.$$

Proposition 4.22. — *The schemes \mathcal{C}_3 and \mathcal{C}_4 are reduced, irreducible and are smooth rational curves. They intersect transversely at $p_5 = [1 : 0 : 0 : 0]$.*

Proof. — From the equation (4.17), we get that

$$\mathcal{C}_3 \simeq \{[y_5 : y_4 : j] \in \mathbb{P}(5, 4, 12) \mid j^2 = -\frac{2^8}{3^9} y_4^6 + \frac{3125}{108} y_5^4 y_4\}.$$

But $\mathbb{P}(5, 4, 12) = \mathbb{P}(5, 1, 3)$, so

$$\mathcal{C}_3 \simeq \{[y_5 : y_4 : j] \in \mathbb{P}(5, 1, 3) \mid j^2 = -\frac{2^8}{3^9} y_4^6 + \frac{3125}{108} y_5 y_4\}.$$

The open subset $\mathcal{C}_3 \cap \mathcal{U}_4$ is clearly isomorphic to $\mathbb{A}^1(\mathbb{C})$.

Similarly, from the equation (4.17), we get that

$$\mathcal{C}_4 \simeq \{[y_5 : y_3 : j] \in \mathbb{P}(5, 3, 12) \mid j^2 = -\frac{3^7}{2^{12}} y_3^6 + \frac{3125}{864} y_5^3 y_3^3\}.$$

But $\mathbb{P}(5, 3, 12) = \mathbb{P}(5, 1, 4)$, so

$$\mathcal{C}_4 \simeq \{[y_5 : y_3 : j] \in \mathbb{P}(5, 1, 4) \mid j^2 = -\frac{3^7}{2^{12}} y_3^6 + \frac{3125}{864} y_5 y_3^3\}.$$

The open subset $\mathcal{C}_4 \cap \mathcal{U}_3$ is clearly isomorphic to $\mathbb{A}^1(\mathbb{C})$.

So it remains to prove that \mathcal{C}_3 and \mathcal{C}_4 are smooth and intersect transversely. Both questions are local around the point $p_5 = [1 : 0 : 0 : 0]$, so we must work in the affine chart \mathcal{U}_5 . Keep the notation from (4.21). Then $\mathcal{C}_3 \cap \mathcal{U}_5$ (resp. $\mathcal{C}_4 \cap \mathcal{U}_5$) is the subvariety of $(\mathcal{X}/W') \cap \mathcal{U}_5$ defined by $Y_3 = h_1 = h_2 = h_4 = 0$ (resp. $Y_4 = h_2 = h_3 = h_4 = 0$). Using Equations (4.21), we get

$$\mathcal{C}_3 \cap \mathcal{U}_5 = \{(Y_3, Y_4, h_1, h_2, h_3, h_4) \in \mathbb{A}^6(\mathbb{C}) \mid Y_3 = h_1 = h_2 = h_4 = \lambda_3 Y_4^2 + \mu_3 Y_4 + \nu_3 h_3^2 = 0\}$$

and

$$\mathcal{C}_4 \cap \mathcal{U}_5 = \{(Y_3, Y_4, h_1, h_2, h_3, h_4) \in \mathbb{A}^6(\mathbb{C}) \mid Y_4 = h_2 = h_3 = h_4 = \lambda_4 Y_3^2 + \mu_4 Y_3 + \nu_4 h_1^2 = 0\}$$

for some non-zero rational numbers $\lambda_3, \mu_3, \nu_3, \lambda_4, \mu_4$ and ν_4 . The smoothness of $\mathcal{C}_3 \cap \mathcal{U}_5$ and $\mathcal{C}_4 \cap \mathcal{U}_5$ follows immediately, as well as the fact they intersect transversely at p_5 (which corresponds to the point $(0, 0, 0, 0, 0, 0) \in \mathbb{A}^6(\mathbb{C})$). \square

5. The K3 surface $\tilde{\mathcal{X}}$

Recall that $\rho : \tilde{\mathcal{X}} \rightarrow \mathcal{X}/W'$ denotes the minimal smooth resolution. We will deduce several properties of $\tilde{\mathcal{X}}$ (Picard lattice, elliptic fibration,...) from the list of properties of \mathcal{X}/W' given in the previous section. Note that since $\tilde{\mathcal{X}}$ is obtained from \mathcal{X}/W' by successively blowing-up the singular locus, the automorphism σ of \mathcal{X}/W' lift to an automorphism of $\tilde{\mathcal{X}}$ (which will still be denoted by σ).

We denote by Δ_1 and Δ'_1 the two smooth rational curves of $\tilde{\mathcal{X}}$ lying above p_1 and p'_1 respectively. For $e \in \{2, 5, 9, 12\}$, we denote by $\Delta_e^1, \dots, \Delta_e^{r_e}$ the smooth rational curves of $\tilde{\mathcal{X}}$ lying above p_e (here, r_e is the Milnor number of the singularity $p_e^{(\ddagger)}$), and we assume that they are numbered in such a way that $\Delta_e^k \cap \Delta_e^{k+1} \neq \emptyset$. For $e \in \{9, 12\}$, the smooth rational curves of $\tilde{\mathcal{X}}$ lying above p'_e are then given by $\sigma(\Delta_e^1), \dots, \sigma(\Delta_e^{r_e})$.

Finally, we denote by $\tilde{\mathcal{C}}_5^\pm$ the strict transform of \mathcal{C}_5^\pm in $\tilde{\mathcal{X}}$. Of course, $\tilde{\mathcal{C}}_5^- = \sigma(\tilde{\mathcal{C}}_5^+)$. As $\tilde{\mathcal{X}}$ is obtained from \mathcal{X}/W' by successive blow-ups of points, $\tilde{\mathcal{C}}_5^+$ and $\tilde{\mathcal{C}}_5^-$ are smooth rational curves. Also, we denote by $\tilde{\mathcal{C}}_3$ and $\tilde{\mathcal{C}}_4$ the strict transforms of \mathcal{C}_3 and \mathcal{C}_4 : for the same reason, they are also smooth rational curves.

One of the aims of this section is to determine the intersection graph of the 22 smooth rational curves $\tilde{\mathcal{C}}_3, \tilde{\mathcal{C}}_4, \tilde{\mathcal{C}}_5^\pm, \Delta_1, \Delta'_1, (\Delta_e^k)_{e \in \{2, 5, 9, 12\}, 1 \leq k \leq r_e}$ and $(\sigma \Delta_e^k)_{e \in \{9, 12\}, 1 \leq k \leq r_e}$. For this, we will use the construction of an elliptic fibration on $\tilde{\mathcal{X}}$.

Recall that, for a K3 surface, an *elliptic fibration* is just a morphism to $\mathbb{P}^1(\mathbb{C})$ such that at least one fiber is a smooth elliptic curve. Since \mathcal{X}/W' has $A_4 + 2A_3 + 3A_2 + 2A_1$ singularities, its Picard number is greater than or equal to $1 + (4 + 2 \cdot 3 + 3 \cdot 2 + 1) = 19$ (in fact, we will see later that it has Picard number 20). Therefore, it admits an elliptic fibration (because every K3 surface with Picard number ≥ 5 admits an elliptic fibration [Huy, Chap. 11, Prop. 1.3(ii)]). Another aim of this section is to construct at least one such fibration. For this, let

$$\begin{aligned} \varphi : (\mathcal{X}/W') \setminus \{p_5\} &\longrightarrow \mathbb{P}^1(\mathbb{C}) \\ [y_5 : y_3 : y_4 : j] &\longmapsto [y_3^4 : y_4^3]. \end{aligned}$$

Then φ is a well-defined morphism of varieties, so the map $\varphi \circ \rho : \tilde{\mathcal{X}} \setminus \rho^{-1}(p_5) \rightarrow \mathbb{P}^1(\mathbb{C})$ is also a well-defined morphism of varieties. We are now ready to prove the second main result of our paper:

Theorem 5.1. — *With the above notation, we have:*

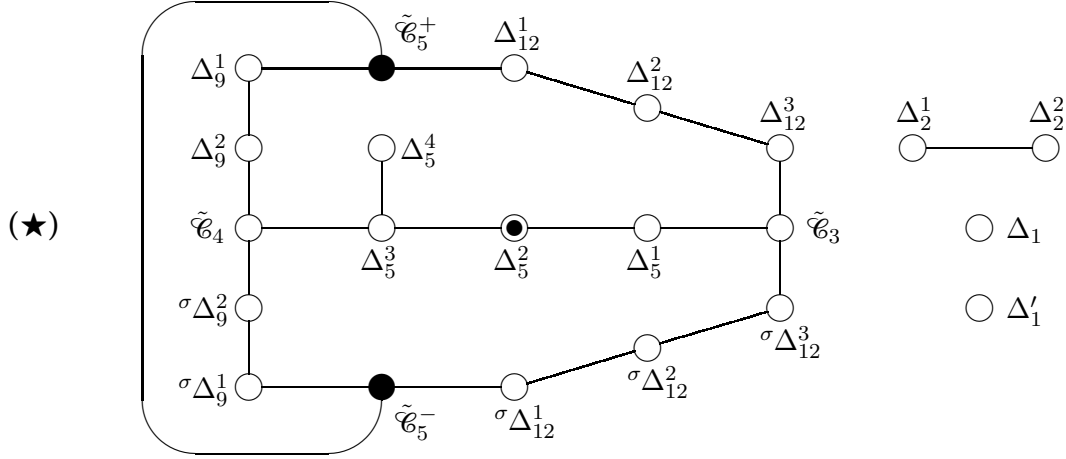
- (a) *The morphism $\varphi \circ \rho : \tilde{\mathcal{X}} \setminus \rho^{-1}(p_5) \rightarrow \mathbb{P}^1(\mathbb{C})$ extends to a unique morphism*

$$\tilde{\varphi} : \tilde{\mathcal{X}} \rightarrow \mathbb{P}^1(\mathbb{C}),$$

which is an elliptic fibration whose singular fibers are of type $E_7 + E_6 + A_2 + 2A_1$.

^(\ddagger)For the definition of the Milnor number of an isolated hypersurface singularity, see [Mil, §7]: recall that the Milnor number of a singularity of type A_k, D_k or E_k is equal to k .

- (b) There exists a way of numbering the smooth rational curves lying above singular points of \mathcal{X}/W' such that the intersection graph of the 22 smooth rational curves $\tilde{\mathcal{C}}_3, \tilde{\mathcal{C}}_4, \tilde{\mathcal{C}}_5^\pm, \Delta_1, \Delta'_1, (\Delta_e^k)_{e \in \{2,5,9,12\}, 1 \leq k \leq r_e}$ and $(\sigma \Delta_e^k)_{e \in \{9,12\}, 1 \leq k \leq r_e}$ is given by



In this graph:

- (b1) The union of the singular fibers of $\tilde{\varphi}$ of type E_7 and E_6 is given by the white disks in the big connected subgraph of (★).
(b2) The singular fibers of $\tilde{\varphi}$ of type A_1 are $\tilde{\mathcal{C}}_1 \cup \Delta_1$ and $\tilde{\mathcal{C}}'_1 \cup \Delta'_1$ for some smooth rational curves $\tilde{\mathcal{C}}_1$ and $\tilde{\mathcal{C}}'_1$.
(b3) The singular fiber of $\tilde{\varphi}$ of type A_2 is $\tilde{\mathcal{C}}_2 \cup \Delta_2^1 \cup \Delta_2^2$ for some smooth rational curve $\tilde{\mathcal{C}}_2$.
(b4) The curves marked with full black disks in (★) are sections of $\tilde{\varphi}$.
(b5) The curve Δ_5^2 is a double section of $\tilde{\varphi}$.
(c) The 22 smooth rational curves in this intersection graph generate the Picard lattice $\text{Pic}(\tilde{\mathcal{X}})$. More precisely, $\text{Pic}(\tilde{\mathcal{X}})$ is generated by the list obtained from these 22 smooth rational curves by removing Δ_5^2 and Δ_5^4 . Its discriminant is $-228 = -2^2 \cdot 3 \cdot 19$.
(d) The Mordell-Weil group of $\tilde{\varphi}$ is isomorphic to \mathbb{Z}^2 .
(e) The transcendental lattice is given by the matrix $\begin{pmatrix} 2 & 0 \\ 0 & 114 \end{pmatrix}$.

Remark 5.2. — There are several possible types of singular fibers of type A_1 (resp. A_2) in elliptic fibrations. In the above Theorem 5.1, singular fibers of type A_1 (resp. A_2) are of type I_2 (resp. I_3) in Kodaira's classification. ■

Proof. — The (very computational) proof of the statements (a) and (b) is given in Appendix III.

For (c), let M denote the incidence matrix of the 18 smooth rational curves belonging to the big connected subgraph of (★). Then M has rank 16 and the greatest common divisor of the diagonal minors of M is equal to 19 by Computation IV.1. Moreover, the diagonal minor corresponding to the curves $\tilde{\mathcal{C}}_3, \tilde{\mathcal{C}}_4, \tilde{\mathcal{C}}_5^\pm, \Delta_5^1, \Delta_5^3, (\Delta_e^k)_{e \in \{9,12\}, 1 \leq k \leq r_e}$ and $(\sigma \Delta_e^k)_{e \in \{9,12\}, 1 \leq k \leq r_e}$ is equal to -19 (see the last command of Computation IV.1). So, if we denote by Λ the lattice generated by these 16 curves together with $\Delta_1, \Delta'_1, \Delta_2^1$ and Δ_2^2 , then Λ has rank 20 and discriminant $-228 = -2^2 \cdot 3 \cdot 19$. This shows that $\text{Pic}(\tilde{\mathcal{X}})$ has rank ≥ 20 , and so has rank 20 as a K3 surface has always Picard number ≤ 20 . If we denote by n the index of Λ in $\text{Pic}(\tilde{\mathcal{X}})$, then n^2 divides 228, which shows that $n \in \{1, 2\}$.

But if we denote by $T(\tilde{\mathcal{X}})$ the transcendental lattice of $\tilde{\mathcal{X}}$, then $T(\tilde{\mathcal{X}})$ has rank $22 - 20 = 2$, is even and definite positive, with discriminant $228/n^2$. Hence it can be represented by a matrix of the form

$$\begin{pmatrix} 2a & b \\ b & 2c \end{pmatrix}$$

with $a, c > 0$ and $4ac - b^2 = 228/n^2$. But $4ac - b^2 \equiv 0$ or $3 \pmod{4}$, so $4ac - b^2 \neq 57$. This shows that $n = 1$ and that $\text{Pic}(\tilde{\mathcal{X}})$ is generated by $\tilde{\mathcal{C}}_3, \tilde{\mathcal{C}}_4, \tilde{\mathcal{C}}_5^\pm, \Delta_5^1, \Delta_5^3, (\Delta_e^k)_{e \in \{9,12\}, 1 \leq k \leq r_e}$ and $(\sigma \Delta_e^k)_{e \in \{9,12\}, 1 \leq k \leq r_e}$, as expected. This concludes the proof of (c).

(d) Since we have determined the Picard lattice of $\tilde{\mathcal{X}}$ in (c), the structure of the Mordell-Weil group follows (note that it has no torsion, which is compatible with [Shi, Table 1, entry 2420]).

(e) The transcendental lattice of $\tilde{\mathcal{X}}$ is given by a matrix of the form $\begin{pmatrix} 2a & b \\ b & 2c \end{pmatrix}$ whose underlying quadratic form is definite positive and has discriminant 228 by (c). The classification of even integral binary quadratic forms [Bue, Theo. 2.3], shows that there are only four such matrices, up to equivalence, namely:

$$M_1 = \begin{pmatrix} 2 & 0 \\ 0 & 114 \end{pmatrix}, \quad M_2 = \begin{pmatrix} 6 & 0 \\ 0 & 38 \end{pmatrix}, \quad M_3 = \begin{pmatrix} 4 & 2 \\ 2 & 58 \end{pmatrix} \quad \text{and} \quad M_4 = \begin{pmatrix} 12 & 6 \\ 6 & 22 \end{pmatrix}.$$

Let $P = \text{Pic}(\tilde{\mathcal{X}})$ and $T = T(\tilde{\mathcal{X}})$. Let

$$P^\perp = \{v \in \mathbb{Q} \otimes_{\mathbb{Z}} P \mid \forall v' \in P, \langle v, v' \rangle \in \mathbb{Z}\}$$

and let us define T^\perp similarly. Then the quadratic forms on $\mathbb{Q} \otimes_{\mathbb{Z}} P$ and $\mathbb{Q} \otimes_{\mathbb{Z}} T$ induce well-defined maps

$$q_P : P^\perp/P \longrightarrow \mathbb{Q}/2\mathbb{Z} \quad \text{and} \quad q_T : T^\perp/T \longrightarrow \mathbb{Q}/2\mathbb{Z}.$$

Since $H^2(\tilde{\mathcal{X}}, \mathbb{Z})$ is unimodular of signature $(3, 19)$, it turns out that there is an isomorphism $\iota : T^\perp/T \xrightarrow{\sim} P^\perp/P$ such that $q_T = -q_P \circ \iota$ (see [Nik, Prop. 1.6.1]). In particular, the set of values of q_T and $-q_P$ coincide: the subset $-q_P(P^\perp/P)$ of $\mathbb{Q}/2\mathbb{Z}$ can easily be computed thanks to (b) and (c) using MAGMA, and we only need to compare the corresponding sets for the four rank 2 lattices determined by M_1, M_2, M_3 and M_4 . This comparison gives the result (see §IV.B for details about these computations). \square

Remark 5.3. — If we denote by $\begin{pmatrix} 2a & b \\ b & 2c \end{pmatrix}$ a matrix representing the transcendental lattice of $\tilde{\mathcal{X}}$, then $4ac - b^2 = 228$, so b is even, Writing $b = 2\beta$, we get $ac = 57 + \beta^2$, so $ac \equiv 1$ or $2 \pmod{4}$. In particular, a or c is odd. This shows that the K3 surface $\tilde{\mathcal{X}}$ is not a Kummer surface [Huy, Chap. 14, Cor. 3.20].

Also, $\tilde{\mathcal{X}}$ is not isomorphic to any of the singular K3 surfaces constructed by Barth-Sarti in [BaSa] (their transcendental lattices have been computed by Sarti in [Sar] and none of them have discriminant 228). For the same reason, $\tilde{\mathcal{X}}$ is not isomorphic to any of the singular K3 surfaces constructed by Brandhorst-Hashimoto in [BrHa] (see also [BoSa2] for a description of some of these). \blacksquare

6. Complement: action of W on the cohomology of \mathfrak{X}

The group W acts on \mathfrak{X} so it acts on the cohomology groups $H^k(\mathfrak{X}, \mathbb{C})$. Since \mathfrak{X} is a complete intersection in $\mathbb{P}^5(\mathbb{C})$, with defining equations of degree 2, 6, and 8, we have:

$$(6.1) \quad \dim_{\mathbb{C}} H^k(\mathfrak{X}, \mathbb{C}) = \begin{cases} 1 & \text{if } k \in \{0, 4\}, \\ 9502 & \text{if } k = 2, \\ 0 & \text{otherwise.} \end{cases}$$

The action of W on $H^0(\mathfrak{X}, \mathbb{C})$ and $H^4(\mathfrak{X}, \mathbb{C})$ is trivial. The aim of this subsection is to determine the character of the representation of W afforded by $H^2(\mathfrak{X}, \mathbb{C})$.

For this, we first need to parametrize the irreducible characters of W . If $\chi \in \text{Irr}(W)$, we denote by b_χ the minimal number k such that χ occurs in the character of the symmetric power $\text{Sym}^k(V)$ of the natural representation V of W . For instance, if we denote by $\mathbf{1}_W$ the trivial character of W and by χ_V the character afforded by the natural representation V , then

$$(6.2) \quad b_{\mathbf{1}_W} = 0, \quad b_{\chi_V} = 1 \quad \text{and} \quad b_\varepsilon = |\mathcal{A}| = 36$$

(recall that ε denotes the restriction of the determinant to W). Indeed, the first two equalities are immediate from the definition and the last one follows from [Bou, Chap. V, §5, Prop. 5] and (2.7). Recall from Molien's formula that the number b_χ can be computed as follows: let t be an indeterminate and let

$$F_\chi(t) = \frac{\prod_{d \in \text{Deg}(W)} (1 - t^d)}{|W|} \sum_{w \in W} \frac{\chi(w^{-1})}{\det(1 - tw)} \in \mathbb{C}(t).$$

It is a classical fact [Bro, §4.5.2] that $F_\chi(t) \in \mathbb{N}[t]$, that $F_\chi(1) = \chi(1)$ and

$$(6.3) \quad b_\chi = \text{val } F_\chi(t).$$

The polynomial $F_\chi(t)$ is called the *fake degree* of χ .

A particular feature of the Weyl group of type E_6 is that the map

$$(6.4) \quad \begin{array}{ccc} \text{DB} : \text{Irr}(W) & \longrightarrow & \mathbb{N} \times \mathbb{N} \\ \chi & \longmapsto & (\chi(1), b_\chi) \end{array}$$

is injective (see for instance the first command of Computation II.2). We denote by $\mathcal{DB}(W)$ the image of DB and, if $(d, b) \in \mathcal{DB}(W)$, we denote by $\phi_{d,b}$ its inverse image in $\text{Irr}(W)$. Note that $\phi_{d,b}$ is the character afforded by an irreducible representation of dimension d . For instance, by (6.2), we get

$$(6.5) \quad \phi_{1,0} = \mathbf{1}_W, \quad \phi_{6,1} = \chi_V \quad \text{and} \quad \phi_{1,36} = \varepsilon.$$

By the last line of Computation II.2, we have that $|\text{Irr}(W)| = 25$ and that

$$(6.6) \quad \begin{aligned} \mathcal{DB}(W) = \{ & (1, 0); (1, 36); (6, 1); (6, 25); (10, 9); (15, 17); (15, 4); (15, 16); (15, 5); \\ & (20, 20); (20, 10); (20, 2); (24, 6); (24, 12); (30, 3); (30, 15); (60, 11); \\ & (60, 8); (60, 5); (64, 13); (64, 4); (80, 7); (81, 6); (81, 10); (90, 8) \}. \end{aligned}$$

For $i \geq 0$, let $\chi_{\mathfrak{X}}^{(i)}$ denote the character afforded by the W -module $H^i(\mathfrak{X}, \mathbb{C})$. We set

$$\chi_{\mathfrak{X}} = \sum_{i \geq 0} (-1)^i \chi_{\mathfrak{X}}^{(i)}.$$

By (6.1), we have

$$(6.7) \quad \chi_{\mathfrak{X}} = \chi_{\mathfrak{X}}^{(0)} + \chi_{\mathfrak{X}}^{(2)} + \chi_{\mathfrak{X}}^{(4)} = 2 \cdot \mathbf{1}_W + \chi_{\mathfrak{X}}^{(2)}.$$

We determine $\chi_{\mathfrak{X}}^{(2)}$ in the next proposition:

Proposition 6.8. — *With the above notation, we have*

$$\begin{aligned} \chi_{\mathfrak{X}}^{(2)} = & \mathbf{1}_W + 3\varepsilon + 8\phi_{6,25} + 2\phi_{10,9} + 7\phi_{15,17} + \phi_{15,4} + 9\phi_{15,16} + \phi_{15,5} \\ & + 14\phi_{20,20} + 4\phi_{20,10} + 2\phi_{24,6} + 8\phi_{24,12} + 14\phi_{30,15} + 18\phi_{60,11} + 12\phi_{60,8} \\ & + 4\phi_{60,5} + 26\phi_{64,13} + 2\phi_{64,4} + 12\phi_{80,7} + 7\phi_{81,6} + 21\phi_{81,10} + 12\phi_{90,8}. \end{aligned}$$

Proof. — Since \mathfrak{X} is smooth and W is finite, it follows from Lefschetz fixed point formula that $\chi_{\mathfrak{X}}(w)$ is equal to the Euler characteristic of the fixed point subvariety \mathfrak{X}^w . If $\dim(\mathfrak{X}^w) \geq 1$, then w is conjugate to 1, s_1 or w_3 (see Computation II.3). But:

- $\chi_{\mathfrak{X}}(1) = 9\,504$ by (6.1).
- Note that $\mathbb{P}(V)^{s_1} = [e_1] \cup \mathbb{P}(V^{s_1})$. Since $[e_1] \notin \mathfrak{X}$ by Remark 2.6, we have that

$$\mathfrak{X}^{s_1} = \mathfrak{X} \cap \mathbb{P}(V^{s_1}).$$

So \mathfrak{X}^{s_1} is a smooth complete intersection in $\mathbb{P}(V^{s_1}) \simeq \mathbb{P}^4(\mathbb{C})$ defined by equations of degree 2, 6 and 8 (the restrictions of f_2, f_6 and f_8 to V^{s_1}), so it has Euler characteristic $-2 \cdot 6 \cdot 8 \cdot (2 + 6 + 8 - 4 - 1) = -1\,056$. Hence, $\chi_{\mathfrak{X}}(s_1) = -1\,056$.

- Recall that \mathfrak{X}^{w_3} is the disjoint union of two smooth curves of genus 10 by Lemma 4.11. So $\chi_{\mathfrak{X}}(w_3) = -36$.

If $\dim(\mathfrak{X}^w) \leq 0$, then $\chi_{\mathfrak{X}}(w)$ is just the cardinality of \mathfrak{X}^w (it might be equal to 0). These last values of $\chi_{\mathfrak{X}}$ as well as the decomposition of $\chi_{\mathfrak{X}}$ as a sum of irreducible characters are computed in Computation II.4. The result then follows from (6.7). \square

To be fair, knowing the exact character is not that interesting, but at least we will use it for making a sanity check for Proposition 4.1. Indeed, $H^k(\mathfrak{X}, \mathbb{C})^{W'}$ is the direct sum of $H^k(\mathfrak{X}, \mathbb{C})^W$ and the ε -isotypic component of $H^k(\mathfrak{X}, \mathbb{C})$. Then Proposition 6.8 together with (6.1) shows that

$$\sum_{k \in \mathbb{Z}} (-1)^k \dim_{\mathbb{C}} H^k(\mathfrak{X}, \mathbb{C})^{W'} = 6.$$

In other words, the Euler characteristic of \mathfrak{X}/W' is equal to 6. But the fiber of the map $\tilde{\mathfrak{X}} \rightarrow \mathfrak{X}/W'$ above an A_k singularity is the union of k smooth rational curves in A_k -configuration, and this union has Euler characteristic $k + 1$. So the Euler characteristic of $\tilde{\mathfrak{X}}$ is the Euler characteristic of \mathfrak{X}/W' plus the sum of all the Milnor numbers of singularities of \mathfrak{X}/W' . So, by Proposition 4.1, the Euler characteristic of $\tilde{\mathfrak{X}}$ is

$$6 + 2 \cdot 1 + 3 \cdot 2 + 2 \cdot 3 + 4 = 24,$$

as expected for a K3 surface.

Remark 6.9. — Since \mathfrak{X} is a smooth complete intersection, its Hodge numbers can be computed from the degrees of the equations and we get that

$$h^{2,0}(\mathfrak{X}) = h^{0,2}(\mathfrak{X}) = 1\,591 \quad \text{and} \quad h^{1,1}(\mathfrak{X}) = 6\,320.$$

However, we do not know how to compute the character of the representations $H^{p,q}(\mathfrak{X}, \mathbb{C})$ of W , for $p + q = 2$. \blacksquare

Appendix I. Magma computations for Sections 3 and 4

I.A. Set-up. — Before performing some computations, let us first define in MAGMA the objects involved in this paper.

```

W:=PrimitiveComplexReflectionGroup(35); // Weyl group of type E_6
V:=VectorSpace(DW); // underlying representation : C^6
n:=Rank(W); // n=6

DW:=DerivedSubgroup(W); // derived subgroup of W (i.e. W')
Q:=Rationals();

conjDW:=ConjugacyClasses(DW);
conjDW:=[i[3] : i in conj]; // rep. of conj. classes of W'

R:=InvariantRing(W); // invariant ring C[V]^W
P<x1,x2,x3,x4,x5,x6>:=PolynomialRing(R); // C[V]
P5:=Proj(P); // P(V)

f2:=InvariantsOfDegree(W,2)[1];
f5:=InvariantsOfDegree(W,5)[1];
f6:=InvariantsOfDegree(W,6)[1];
f8:=InvariantsOfDegree(W,8)[1];
f9:=InvariantsOfDegree(W,9)[1];
f12:=InvariantsOfDegree(W,12)[1];

f:=[f2,f5,f6,f8,f9,f12]; // fundamental invariants

```

The first and the last lines require some explanation. For the first line, we do not use the command `ShephardTodd(35)` but another model of the Weyl group of type E_6 (see [Bon1, Rem. 2.3] for explanations). Also, the fact that f defines a set of fundamental invariants can be checked by showing that the variety defined as their common zeroes is empty:

```

> Dimension(Scheme(P5,f));
-1

```

Finally, note that the variety \mathcal{X} is defined in MAGMA as a scheme over the field of coefficients of W , which is \mathbb{Q} . We will need sometimes to look at points of \mathcal{X} with coordinates in bigger number fields. Let us now compute the dimension of \mathcal{X} and show that its affine open subset defined by $x_6 \neq 0$ is smooth:

Computation I.1. —

```

> X:=Scheme(P5,[f2,f6,f8]); // the variety X=Z(f_2,f_6,f_8)
> Dimension(X);
2
> IsSingular(AffinePatch(X,1));
false

```

Finally, we will need an auxiliary function `FixedPoints` which computes the fixed points of an element of $GL_{\mathbb{C}}(V)$ for its action on $\mathbb{P}(V)$:

```

FixedPoints:=function(g) local i,j,ii,k,res,mat;
  j:=[P.i^g : i in [1..n]];
  res:=[];
  for i in Subsets({1..n},2) do
    ii:=[k : k in i];
    mat:=Matrix(P,2,2,[[P.ii[1],P.ii[2]],[j[ii[1]],j[ii[2]]]]);
    res:=res cat [Determinant(mat)];
  end for;
  res:=MinimalBasis(Scheme(P5,res));
  res:=Scheme(P5,res);
  return res;
end function;

```

I.B. Singularities of \mathfrak{X}/W' . — Below are the necessary computations for completing the proof of Proposition 4.1 and Lemma 4.15.

Computation I.2. —

```

> liste2:=[w : w in conjDW | Order(w) eq 2];
> # liste2;
2
> [Eigenvalues(w) : w in liste2];
[
  { <-1, 4>, <1, 2> },
  { <-1, 2>, <1, 4> }
]
> w2:=[w : w in liste2 | Dimension(Eigenspace(w,1)) eq 2];
> w2:=w2[1];
> v2:=[w : w in liste2 | Dimension(Eigenspace(w,1)) eq 4];
> v2:=v2[1];

```

Computation I.3. —

```

> Xw2:=FixedPoints(w2) meet X;
> Dimension(Xw2);
0
> Xw2 eq Xw2 meet Scheme(P5,[f5,f9]);
true

```

Computation I.4. —

```

> Xv2:=FixedPoints(v2) meet X;
> Xv2:=Scheme(P5,MinimalBasis(Xv2));
> Dimension(Xv2); // 0
0
> Degree(Xv2); // 96
96
> [g : g in DW | Dimension(Xv2 meet FixedPoints(g)) eq 0] eq [v2^0,v2];
true
> Cv2:=Centralizer(DW,v2);
> Order(Cv2);
96

```

Computation I.5. —

```

> liste3:=[w : w in conjDW | Order(w) eq 3];
> # liste3;

```

```

4
> [Eigenvalues(ChangeRing(w,CyclotomicField(3))) : w in liste3];
[
  {
    <zeta_3, 3>,
    <-zeta_3 - 1, 3>
  },
  {
    <zeta_3, 3>,
    <-zeta_3 - 1, 3>
  },
  {
    <1, 4>,
    <zeta_3, 1>,
    <-zeta_3 - 1, 1>
  },
  {
    <zeta_3, 2>,
    <1, 2>,
    <-zeta_3 - 1, 2>
  }
]
> w3:=[w : w in liste3 | Dimension(Eigenspace(w,1)) eq 0];
> w3:=w3[1];
> IsConjugate(DW,w3,w3^-1);
false
> v3:=[w : w in liste3 | Dimension(Eigenspace(w,1)) eq 2];
> v3:=v3[1];
> u3:=[w : w in liste3 | Dimension(Eigenspace(w,1)) eq 4];
> u3:=u3[1];
> Dimension(FixedPoints(w3) meet X);
1

```

Computation I.6. —

```

> Xv3:=FixedPoints(v3) meet X;
> Xv3:=Scheme(P5,MinimalBasis(Xv3));
> Dimension(Xv3);
0
> testv3:=[w : w in Transversal(DW,sub<DW | v3>) |
  Dimension(Xv3 meet FixedPoints(w)) eq 0];
> # testv3;
3
> Gv3:=sub<DW | testv3 cat [v3]>;
> Order(Gv3);
9
> IsElementaryAbelian(Gv3);
true
> Set([Xv3 eq Xv3 meet FixedPoints(w) : w in Gv3]);
{ true }

```

Computation I.7. —

```

> Xu3:=FixedPoints(u3) meet X;
> Xu3:=Scheme(P5,MinimalBasis(Xu3));

```

```

> Dimension(Xu3);
0
> Degree(Xu3);
96
> Nu3:=Normalizer(DW,sub<DW | u3>);
> Order(Nu3);
216
> IXu3:=IrreducibleComponents(Xu3);
> IXu3:=[Scheme(P5,MinimalBasis(I)) : I in IXu3];
> [Degree(I) : I in IXu3];
[ 72, 12, 12 ]

```

Computation I.8. —

```

> A:=[I : I in IXu3 | Degree(I) eq 72];
> A:=A[1];
> testA:=[w : w in Transversal(DW,sub<DW | u3>) |
  Dimension(A meet FixedPoints(w)) eq 0];
> # testA;
1
> Dimension(Scheme(A, [f5, f12]));
-1

```

Computation I.9. —

```

> B:=[I : I in IXu3 | Degree(I) eq 12];
> B:=B[1] join B[2];
> testB:=[w : w in Transversal(DW,sub<DW | u3>) |
  Dimension(B meet FixedPoints(w)) eq 0];
> # testB;
5
> GB:=sub<DW | testB cat [u3]>;
> Order(GB);
27
> Set([Dimension(FixedPoints(w) meet B) : w in GB]);
{ -1, 0 }
> IsElementaryAbelian(GB);
true

```

Computation I.10. —

```

> liste4:=[w : w in conjDW | Order(w) eq 4];
> # liste4;
2
> [Eigenvalues(ChangeRing(w,CyclotomicField(4))) : w in liste4];
[
  {
    <1, 2>,
    <zeta_4, 2>,
    <-zeta_4, 2>
  },
  {
    <-zeta_4, 1>,
    <1, 2>,
    <-1, 2>,
    <zeta_4, 1>
  }
]

```

```

]
> w4:=[w : w in liste4 | Dimension(Eigenspace(w,-1)) eq 0];
> w4:=w4[1];
> v4:=[w : w in liste4 | Dimension(Eigenspace(w,-1)) eq 2];
> v4:=v4[1];

```

Computation I.11. —

```

> Xw4:=FixedPoints(w4) meet X;
> Xw4 eq Xw4 meet Scheme(P5, [f5, f9]);
true
> Xv4:=FixedPoints(v4) meet X;
> Dimension(Xv4);
-1

```

Computation I.12. —

```

> liste5:=[w : w in conjDW | Order(w) eq 5];
> # liste5;
1
> w5:=liste5[1];
> Order(Centralizer(DW,w5));
5
> Xw5:=FixedPoints(w5) meet X;
> Dimension(Xw5);
0
> Degree(Xw5);
4

```

Computation I.13. —

```

> liste6:=[w : w in conjDW | Order(w) eq 6];
> # liste6;
6
> K6:=CyclotomicField(6);
> [Eigenvalues(ChangeRing(w,K6)) : w in liste6];
[
  {
    <zeta_6 - 1, 1>,
    <-zeta_6, 1>,
    <-zeta_6 + 1, 2>,
    <zeta_6, 2>
  },
  {
    <zeta_6 - 1, 1>,
    <-zeta_6, 1>,
    <-zeta_6 + 1, 2>,
    <zeta_6, 2>
  },
  {
    <1, 2>,
    <-zeta_6 + 1, 1>,
    <zeta_6, 1>,
    <-1, 2>
  },
  {
    <1, 2>,

```

```

      <-zeta_6 + 1, 1>,
      <zeta_6, 1>,
      <-1, 2>
    },
    {
      <-zeta_6 + 1, 1>,
      <zeta_6, 1>,
      <-1, 2>,
      <zeta_6 - 1, 1>,
      <-zeta_6, 1>
    },
    {
      <1, 2>,
      <-1, 2>,
      <zeta_6 - 1, 1>,
      <-zeta_6, 1>
    }
  ]
> ww6:=[w : w in conjDW |
  Dimension(Eigenspace(ChangeRing(w,K6),K6.1)) eq 2];
> w6:=ww6[1];
> IsConjugate(DW,w6,w6^-1);
false
> Xw6:=FixedPoints(w6) meet X;
> Xw6 eq Xw6 meet Scheme(P5,[f5,f9]);
true
> [Dimension(FixedPoints(w) meet X) : w in liste6 | (w in ww6) eq false];
[ -1, -1, -1, -1 ]

```

Computation I.14. —

```

> liste9:=[w : w in conjDW | Order(w) eq 9];
> # liste9;
2
> [Eigenvalues(ChangeRing(w,CyclotomicField(9))) : w in liste9];
[
  {
    <-zeta_9^5 - zeta_9^2, 1>,
    <zeta_9^2, 1>,
    <-zeta_9^4 - zeta_9, 1>,
    <zeta_9, 1>,
    <zeta_9^4, 1>,
    <zeta_9^5, 1>
  },
  {
    <-zeta_9^5 - zeta_9^2, 1>,
    <zeta_9^2, 1>,
    <-zeta_9^4 - zeta_9, 1>,
    <zeta_9, 1>,
    <zeta_9^4, 1>,
    <zeta_9^5, 1>
  }
]
> w9:=liste9[1];

```

```

> IsConjugate(DW,w9,w9^-1);
false
> Xw9:=FixedPoints(w9) meet X;
> Dimension(Xw9);
0
> Degree(Xw9);
6
> listel2:=[w : w in conjDW | Order(w) eq 12];
> # listel2;
2
> [Eigenvalues(ChangeRing(w,CyclotomicField(12))) : w in listel2];
[
  {
    <zeta_12, 1>,
    <zeta_12^2 - 1, 1>,
    <-zeta_12^3 + zeta_12, 1>,
    <-zeta_12, 1>,
    <-zeta_12^2, 1>,
    <zeta_12^3 - zeta_12, 1>
  },
  {
    <zeta_12, 1>,
    <zeta_12^2 - 1, 1>,
    <-zeta_12^3 + zeta_12, 1>,
    <-zeta_12, 1>,
    <-zeta_12^2, 1>,
    <zeta_12^3 - zeta_12, 1>
  }
]
> w12:=listel2[1];
> IsConjugate(DW,w12,w12^-1);
false
> Xw12:=FixedPoints(w12) meet X;
> Dimension(Xw12);
0
> Degree(Xw12);
4

```

Computation I.15. —

```

> Set([Order(w) : w in conjDW]);
{ 1, 2, 3, 4, 5, 6, 9, 12 }

```

I.C. Coordinates of singular points. —**Computation I.16. —**

```

> K9:=CyclotomicField(9);
> v9:=Basis(Eigenspace(ChangeRing(Transpose(w9),K9),K9.1))[1];
> v9:=[v9[k] : k in [1..6]];
> p9:=[Evaluate(f9,v9),&* [Evaluate(r,v9) : r in roots]];
> p9[2]^2/p9[1]^8;
-2187/4096
>
> K12:=CyclotomicField(12);

```

```

> v12:=Basis(Eigenspace(ChangeRing(Transpose(w12),K12),K12.1))[1];
> v12:=[v12[k] : k in [1..6]];
> p12:=[Evaluate(f12,v12),&* [Evaluate(r,v12) : r in roots]];
> p12[2]^2/p12[1]^6;
-256/19683

```

Computation I.17. —

```

> Av2:=AffinePatch(Xv2,1);
> A3:=AffineSpace(Rationals(),3);
> AFF<[u]>:=AmbientSpace(Av2);
> phi:=map<Av2 -> A3 | [Evaluate(f,u cat [1]) : f in [f5^3,f9,f12]]>;
> Q19<r19>:=QuadraticField(19);
> test:=phi(Av2);
> pts:=Points(test,Q19);
> xi:=-1/3;
> p1:=[xi^5*pts[1][1],xi^3*pts[1][2],xi^4*pts[1][3]];
> pp1:=[xi^5*pts[2][1],xi^3*pts[2][2],xi^4*pts[2][3]];
> p1;pp1;
[ 1/9*(536*r19 + 2336), 1/9*(-60*r19 - 260), 1/3*(130*r19 + 565) ]
[ 1/9*(-536*r19 + 2336), 1/9*(60*r19 - 260), 1/3*(-130*r19 + 565) ]

```

Computation I.18. —

```

> AA:=AffinePatch(A,1);
> A3:=AffineSpace(Rationals(),3);
> AFF<[u]>:=AmbientSpace(AA);
> phi:=map<AA -> A3 | [Evaluate(f,u cat [1]) : f in [f5^3,f9,f12]]>;
> p2:=phi(AA);
> K<a,b,c>:=CoordinateRing(p2);
> IsField(K);
true
> pts:=Points(p2,K);
> p:=pts[1];
> xi:=-2^4/(3*5)*p[3]/p[1];
> [xi^5*p[1],xi^3*p[2],xi^4*p[3]];
[
  4/9,
  10/9,
  -5/12
]

```

I.D. Equation of \mathfrak{X}/W' . —**Computation I.19. —**

```

> Scheme(Xv3,f5) eq Xv3;
true
> Set([Scheme(Xv3,r) eq Xv3 : r in roots]);
{ false, true }
> Av3:=AffinePatch(Xv3,1);
> A2:=AffineSpace(Rationals(),2);
> AFF<[u]>:=AmbientSpace(Av3);
> phi:=map<Av3 -> A2 | [Evaluate(f,u cat [1]) : f in [f9,f12]]>;
> test:=phi(Av3);
> K:=CoordinateRing(test);
> IsField(K);

```



```

true
> pts:=Points(test,K);
> p:=pts[1];
> xi:=(8/9)*p[2]/p[1];
> p:=[0,xi^-3*p[1],xi^-4*p[2],0];

```

Computation I.20. —

```

> E:=FixedPoints(W.2) meet Scheme(X,x1);
> E:=Scheme(P5,MinimalBasis(E));
> E:=ReducedSubscheme(E);
> Dimension(E);
0
> Degree(E);
96
> IE:=IrreducibleComponents(E);
> # IE;
1
> IE:=[Scheme(P5,MinimalBasis(irr)) : irr in IE];
>
> AIE:=AffinePatch(IE[1],1);
> A3:=AffineSpace(Rationals(),3);
> AFF<u>:=AmbientSpace(AIE);
> phi:=map<AIE -> A3 | [Evaluate(f,u cat [1]) : f in [f5^3,f9,f12]]>;
> test:=phi(AIE);
> psi:=map<test-> A3 | [A3.3^5/A3.1^4,A3.2*A3.3^3/A3.1^3,A3.3^5/A3.1^4]>;
> pts:=Points(psi(test),Q6);
> r:=pts[1];
> r:=[r[1],r[2],r[3],0];
> rp:=pts[2];
> rp:=[rp[1],rp[2],rp[3],0];

```

Computation I.21. —

```

> K:=CompositeFields(Q6,Q19)[1];
> POLY<a,b,c,d,e>:=PolynomialRing(K,5);
>
> equation:=function(p) local res;
function>   res:= - p[4]^2 - 3^7/2^12*(p[2]^4-2^10/3^8*p[3]^3)^2
function>         - p[1]*p[2]*p[3]*(p[2]^4*a+p[3]^3*b)
function>         - p[1]^2*p[2]^2*p[3]^2*c - p[1]^3*p[2]^3*d - p[1]^4*p[3]*e;
function>   return res;
function> end function;
>
> eq1:=equation(p1);
> eqp1:=equation(pp1);
> eq2:=equation(p2);
> eqp:=equation(p);
> eqpp:=equation(pp);
>
> solutions:=Scheme(Spec(POLY),[eq1,eqp1,eq2,eqp,eqpp]);
> Points(solutions);
{@ (207/32, 800/729, 1375/81, -3125/864, -3125/108) @}

```

I.E. The affine chart \mathcal{U}_5 . — The presentation of the affine chart \mathcal{U}_5 is much more difficult than the one of \mathcal{U}_3 or \mathcal{U}_4 , since the singularity \mathbb{C}^3/μ_5 (with μ_5 acting via $\xi \cdot (y_3, y_4, j) = (\xi^3 y_3, \xi^4 y_4, \xi^2 j)$) is more complicated than the A_2 or A_3 singularities involved in \mathcal{U}_3 and \mathcal{U}_4 .

Computation I.22. —

```

> K5<r>:=CyclotomicField(5);
> g:=DiagonalMatrix(K5, [r^3, r^4, r^2]);
> G:=MatrixGroup<3, K5 | g>;
> RG:=InvariantRing(G);
> PG<y3, y4, j>:=PolynomialRing(RG);
> RG`PrimaryInvariants:=[y3^5, y4^5, j^5];
> sec:=IrreducibleSecondaryInvariants(RG);
> # sec;
5
> sec;
[
  y3*j,
  y3^2*y4,
  y4^2*j,
  y3*y4^3,
  y4*j^3
]
> ALG<Y3, Y4, J, h1, h2, h3, h4, h5>:=Algebra(RG);
> rels:=Relations(RG);
> rels;
[
  -h1^2*h3 + h2*h5,
  Y4*h1 - h3*h4,
  J*h2 - h1^2*h5,
  -h1*h2^2 + Y3*h3,
  Y4*h2 - h4^2,
  J*h3 - h5^2,
  -h1^3*h2 + Y3*h5,
  J*h4 - h1*h3*h5,
  Y4*h1^2 - h2*h3^2,
  -h2^3 + Y3*h4,
  -h3^3 + Y4*h5,
  h1^2*h2*h3 - h1^3*h4,
  Y3*J - h1^5,
  -h1^2*h3^2 + h1*h4*h5,
  Y3*Y4 - h2^2*h4,
  Y4*J - h3^2*h5,
  Y3*h3^2 - h1^2*h2*h4
]

```

Computation I.22 shows that, if we set

$$Y_3 = y_3^5, \quad Y_4 = y_4^5, \quad J = j^5,$$

$$h_1 = y_3 j, \quad h_2 = y_3^2 y_4, \quad h_3 = y_4^2 j, \quad h_4 = y_3 y_4^3 \quad \text{and} \quad h_5 = y_4 j^3,$$

then the invariant ring $\mathbb{C}[\mathbb{C}^3]^{\mu_5}$ admits the following presentation:

$$(I.23) \quad \begin{cases} \text{Generators:} & Y_3, Y_4, J, h_1, h_2, h_3, h_4, h_5; \\ \text{Relations:} & \text{see the last command of Computation I.22} \end{cases}$$

If we want a description of $(\mathcal{X}/W') \cap \mathcal{U}_5$, we first multiply the equation (4.17) by y_4j , and we get that

$$h_5 = \Phi_5(Y_3, Y_4, h_1, h_2, h_3, h_4)$$

for some polynomial Φ_5 in six variables. If we multiply the equation (4.17) by j^3 , we get that

$$J = \Psi_5(Y_3, Y_4, h_1, h_2, h_3, h_4, h_5)$$

for some polynomial Ψ_5 in seven variables. If we denote by \mathcal{W}_5 the closed subscheme of \mathcal{U}_5 defined by the equations

$$(I.24) \quad \begin{cases} h_5 = \Phi_5(Y_3, Y_4, h_1, h_2, h_3, h_4), \\ J = \Psi_5(Y_3, Y_4, h_1, h_2, h_3, h_4, h_5), \end{cases}$$

then $(\mathcal{X}/W') \cap \mathcal{U}_5$ is an irreducible component of the reduced subscheme of \mathcal{W}_5 . The next computation determines the equation of $(\mathcal{X}/W') \cap \mathcal{U}_5$ thanks to this remark, because $(\mathcal{X}/W') \cap \mathcal{U}_5$ contains more than only one singular point (it is encoded in the variable XWU5):

Computation I.25. —

```
> AFFG:=Spec (ALG) ;
> U5:=Scheme (AFFG, rels) ;
> Phi5:= - 2187/4096*Y3*h1*h2 + 1/6*h1*h2*h4 - 207/32*Y3*h3 - 256/19683*Y4*h3
- 800/729*h3*h4 - 1375/81*h1*h4 + 3125/864*h1*h2 + 3125/108*h3;
> Psi5:= - 2187/4096*Y3*h1^3 + 1/6*h2^2*h5 - 207/32*Y3*h5 - 256/19683*Y4*h5
- 800/729*h4*h5 - 1375/81*h2*h5 + 3125/864*h1^3 + 3125/108*h5;
> W5:=Scheme (U5, [h5 - Phi5, J - Psi5]);
> W5:=ReducedSubscheme (W5) ;
> W5:=Scheme (AFFG, MinimalBasis (W5));
> IrrW5:=IrreducibleComponents (W5) ;
> IrrW5:=[Scheme (AFFG, MinimalBasis (i)) : i in IrrW5];
> [# MinimalBasis (i) : i in IrrW5];
[ 20, 7 ]
> test:=[i : i in IrrW5 | # MinimalBasis (i) lt 10];
> [Degree (ReducedSubscheme (SingularSubscheme (i))) : i in test];
[ 1 ]
> XWU5:=[i : i in IrrW5 | # MinimalBasis (i) gt 10];
> XWU5:=XWU5 [1];
```

In order to simplify the equations of $(\mathcal{X}/W') \cap \mathcal{U}_5$, we can use the equations (I.24) to eliminate the variables h_5 and J , so that we can embed $(\mathcal{X}/W') \cap \mathcal{U}_5$ into $\mathbb{A}^6(\mathbb{C})$ instead of $\mathbb{A}^8(\mathbb{C})$. This is done as follows in MAGMA:

Computation I.26. —

```
> A6<Y3, Y4, h1, h2, h3, h4>:=AffineSpace (Rationals (), 6) ;
> h5:= - 2187/4096*Y3*h1*h2 + 1/6*h1*h2*h4 - 207/32*Y3*h3
> - 256/19683*Y4*h3 - 800/729*h3*h4 - 1375/81*h1*h4
> + 3125/864*h1*h2 + 3125/108*h3;
> J:= - 2187/4096*Y3*h1^3 + 1/6*h2^2*h5 - 207/32*Y3*h5 - 256/19683*Y4*h5
> - 800/729*h4*h5 - 1375/81*h2*h5 + 3125/864*h1^3 + 3125/108*h5;
> XWU5:=Scheme (A6, [Evaluate (f, [Y3, Y4, J, h1, h2, h3, h4, h5]) :
f in MinimalBasis (XWU5)]);
```

```

> XWU5:=Scheme(A6,MinimalBasis(XWU5));
> XWU5;
Scheme over Rational Field defined by
-h1*h4 + h2*h3,
Y4*h2 - h4^2,
Y4*h1 - h3*h4,
Y3^2 + 2944/243*Y3*h2 - 2048/6561*Y3*h4 - 400000/59049*Y3
+ 4096/2187*h1^2 + 5632000/177147*h2^2 + 3276800/1594323*h2*h4
- 3200000/59049*h2 + 1048576/43046721*h4^2,
-Y3*h4 + h2^3,
-Y3*h3 + h1*h2^2,
Y3*h2*h4 + 1048576/43046721*Y4^2 + 3276800/1594323*Y4*h4
- 3200000/59049*Y4 + 2944/243*h2^2*h4 - 2048/6561*h2*h4^2
- 400000/59049*h2*h4 + 4096/2187*h3^2 + 5632000/177147*h4^2,
Y3*h2^2 + 2944/243*Y3*h4 + 1048576/43046721*Y4*h4 + 4096/2187*h1*h3
- 2048/6561*h2^2*h4 - 400000/59049*h2^2 + 5632000/177147*h2*h4
+ 3276800/1594323*h4^2 - 3200000/59049*h4,
Y3*Y4 - h2^2*h4

```

Appendix II. Magma computations for Section 6

We first compute the character table of W , the fake degrees and the image $\mathcal{DB}(W)$ of the map $\text{DB} : \text{Irr}(W) \rightarrow \mathbb{N} \times \mathbb{N}$ defined in (6.5). Note that $\mathcal{DB}(W)$ is denoted by DBW in the computation below.

Computation II.1. —

```

TW:=CharacterTable(W);
conjW:=ConjugacyClasses(W);
# conjW;
C<t>:=FunctionField(Q);
poincare:=(1-t^2)*(1-t^5)*(1-t^6)*(1-t^8)*(1-t^9)*(1-t^12);
fake:=function(chi) local c,res;
  res:=&+ [c[2]*(Q ! chi(c[3]^(-1)))/Determinant(IdentityMatrix(C,6)
    -t*ChangeRing(c[3],C)) : c in conjW];
  return poincare*res/Order(W);
end function;
b:=function(chi) return Valuation(Numerator(fake(chi)));end function;
DBW:=[[TW[k](W.0),b(TW[k])]] : k in [1..# conjW]];

```

Computation II.2. —

```

> # Set(DBW) eq # DBW;
true
> # DBW; <<i : i in j> : j in DBW>;
25
<<1, 0>, <1, 36>, <6, 1>, <6, 25>, <10, 9>, <15, 17>, <15, 4>,
<15, 16>, <15, 5>, <20, 20>, <20, 10>, <20, 2>, <24, 6>, <24, 12>,
<30, 3>, <30, 15>, <60, 11>, <60, 8>, <60, 5>, <64, 13>, <64, 4>,
<80, 7>, <81, 6>, <81, 10>, <90, 8>>

```

Computation II.3. —

```

> fixednonfinite:=[k : k in [1..# conjW] |
  Dimension(FixedPoints(conjW[k][3]) meet X) ge 1];
> fixednonfinite;
[ 1, 2, 6 ]
> [Order(conjW[k][3]) : k in fixednonfinite];
[ 1, 2, 3 ]
> [Eigenvalues(ChangeRing(conjW[k][3],CyclotomicField(3))) :
  k in fixednonfinite];
[
  {
    <1, 6>
  },
  {
    <-1, 1>,
    <1, 5>
  },
  {
    <zeta_3, 3>,
    <-zeta_3 - 1, 3>
  }
]

```

Computation II.4. —

```

> chix:=[0 : k in [1..# conjW]];
> for k in [1..# conjW] do
for>   if k in fixedcurves then
for|if>   if Order(conjW[k][3]) eq 1 then chix[k]:=9504;
for|if|if>   elif Order(conjW[k][3]) eq 2 then chix[k]:=-1056;
for|if|if>   else chix[k]:=-36;
for|if|if>   end if;
for|if>   else
for|if>     w:=conjW[k][3];
for|if>     chix[k]:=Degree(FixedPoints(w) meet X);
for|if>   end if;
for> end for;
> CHAR:=CharacterRing(W);
> mult:=Decomposition(TW,CHAR ! chix);
> for k in [1..# conjW] do
for>   if mult[k] ne 0 then
for|if>     if mult[k] eq 1 then
for|if>       printf "phi_{ %o , %o} + ",DBW[k][1],DBW[k][2];
for|if|if>       else printf "%o \phi_{%o,%o} + ",mult[k],DBW[k][1],DBW[k][2];
for|if|if>       end if;
for|if>     end if;
for> end for;
3 \phi_{1,0} + 3 \phi_{1,36} + 8 \phi_{6,25} + 2 \phi_{10,9}
+ 7 \phi_{15,17} + \phi_{15,4} + 9 \phi_{15,16} + \phi_{15,5}
+ 14 \phi_{20,20} + 4 \phi_{20,10} + 2 \phi_{24,6} + 8 \phi_{24,12}
+ 14 \phi_{30,15} + 18 \phi_{60,11} + 12 \phi_{60,8} + 4 \phi_{60,5}
+ 26 \phi_{64,13} + 2 \phi_{64,4} + 12 \phi_{80,7} + 7 \phi_{81,6}
+ 21 \phi_{81,10} + 12 \phi_{90,8} +

```

Appendix III. Proof of Theorem 5.1(a) and (b)

III.A. Extension of $\varphi \circ \rho$. — Let $\hat{\rho} : \hat{\mathcal{X}} \rightarrow \mathcal{X}/W'$ denote the blow-up of \mathcal{X}/W' at p_5 . Since p_5 is an A_4 -singularity, $\hat{\mathcal{X}}$ contains a unique singular point above p_5 , which will be denoted by \hat{p}_5 . It is an A_2 -singularity of $\hat{\mathcal{X}}$ and we denote by $\hat{\pi} : \hat{\mathcal{X}} \rightarrow \hat{\mathcal{X}}$ the blow-up of $\hat{\mathcal{X}}$ at \hat{p}_5 and we set $\hat{\rho} = \hat{\rho} \circ \hat{\pi}$. Since $\tilde{\mathcal{X}}$ is obtained from \mathcal{X}/W' by successive blow-ups of the singular points, there is a morphism $\tilde{\mathcal{X}} \rightarrow \hat{\mathcal{X}}$. Therefore, in order to prove that $\varphi \circ \rho$ extends to $\tilde{\mathcal{X}}$, we only need to prove that the map

$$\varphi \circ \hat{\rho} : \hat{\mathcal{X}} \setminus \hat{\rho}^{-1}(p_5) \rightarrow \mathbb{P}^1(\mathbb{C})$$

extends to a morphism $\hat{\mathcal{X}} \rightarrow \mathbb{P}^1(\mathbb{C})$.

For this, it is sufficient to work in the affine chart \mathcal{U}_5 . Let φ_5 denote the restriction of φ to $((\mathcal{X}/W') \cap \mathcal{U}_5) \setminus \{p_5\}$. Keeping the notation of §4.D and §1.E, φ_5 is defined by

$$\varphi_5(Y_3, Y_4, h_1, h_2, h_3, h_4) = \begin{cases} [Y_3 : h_4] & \text{if } (Y_3, h_4) \neq (0, 0), \\ [h_2^2 : Y_4] & \text{if } (h_2, Y_4) \neq (0, 0). \end{cases}$$

Note that if $(Y_3, Y_4, h_1, h_2, h_3, h_4) \in (\mathcal{X}/W') \cap \mathcal{U}_5$ is such that $Y_3 = Y_4 = h_2 = h_4 = 0$, then $h_1 = h_3 = 0$. So φ_5 is indeed well-defined by the above formula on $((\mathcal{X}/W') \cap \mathcal{U}_5) \setminus \{p_5\}$.

We denote by $\hat{\mathcal{X}}_5$ the inverse image of $(\mathcal{X}/W') \cap \mathcal{U}_5$ in $\hat{\mathcal{X}}$ (so that $\hat{\mathcal{X}}_5$ is the blow-up of $(\mathcal{X}/W') \cap \mathcal{U}_5$ at p_5). So $\hat{\mathcal{X}}_5$ is embedded in $\mathbb{A}^6(\mathbb{C}) \times \mathbb{P}^5(\mathbb{C})$. If $t \in \{Y_3, Y_4, h_1, h_2, h_3, h_4\}$, we denote by t' the corresponding variable in $\mathbb{P}^5(\mathbb{C})$ and by $\hat{\mathcal{X}}_5^{(t)}$ the open affine chart of $\hat{\mathcal{X}}_5$ defined by $t' \neq 0$. Then:

Lemma III.1. — *The point \hat{p}_5 belongs to the affine chart $\hat{\mathcal{X}}_5^{(h_1)}$ and does not belong to the others.*

Proof. — This follows from the following computation:

Computation III.2. —

```
> Xhat5:=LocalBlowUp(XWU5, Scheme(A6, [A6.k : k in [1..6]]));
> [Dimension(SingularSubscheme(Xhat5[k][1])
meet Scheme(XWU5, [Y3, Y4, h1, h2, h3, h4]) @@ Xhat5[k][2]) : k in [1..6]];
[ -1, -1, 0, -1, -1, -1 ]
```

□

To prove that $\varphi \circ \hat{\rho}$ extends to $\hat{\mathcal{X}}$, we first prove the following lemma:

Lemma III.3. — *The morphism $\varphi \circ \hat{\rho} : \hat{\mathcal{X}} \setminus \hat{\rho}^{-1}(p_5) \rightarrow \mathbb{P}^1(\mathbb{C})$ extends to a morphism $\hat{\mathcal{X}} \setminus \{\hat{p}_5\} \rightarrow \mathbb{P}^1(\mathbb{C})$.*

Proof. — If $(Y_3, h_4) \neq (0, 0)$, then $[Y_3 : h_4] = [Y'_3 : h'_4]$ and so the map $\varphi_5 \circ \hat{\rho}$ extends to the affine charts $\hat{\mathcal{X}}_5^{(Y_3)}$ and $\hat{\mathcal{X}}_5^{(h_4)}$. Similarly, if $Y_4 \neq 0$, then $[h_2^2 : Y_4] = [h_2 h'_2 : Y'_4]$ and so $\varphi_5 \circ \hat{\rho}$ extends to the affine chart $\hat{\mathcal{X}}_5^{(Y_4)}$.

Now, it follows from Computation III.4 below that the two affine charts $\hat{\mathcal{X}}_5^{(h_2)}$ and $\hat{\mathcal{X}}_5^{(h_3)}$ can be embedded in $\mathbb{A}^4(\mathbb{C})$, and that maps $\hat{\mathcal{X}}_5^{(h_2)} \rightarrow (\mathcal{X}/W') \cap \mathcal{U}_5$ and $\hat{\mathcal{X}}_5^{(h_3)} \rightarrow (\mathcal{X}/W') \cap \mathcal{U}_5$ are given by

$$\begin{array}{ccc} \hat{\mathcal{X}}_5^{(h_2)} & \longrightarrow & (\mathcal{X}/W') \cap \mathcal{U}_5 \\ (a, b, c, d) & \longmapsto & (a^2 d, a d^3, a b d, a d, a c d, a d^2) \end{array}$$

and

$$\begin{aligned} \hat{\mathcal{X}}_5^{(h_3)} &\longrightarrow (\mathcal{X}/W') \cap \mathcal{U}_5 \\ (a, b, c, d) &\longmapsto (ab, ac, ad, acd^2, a, acd). \end{aligned}$$

So the restriction of $\varphi_5 \circ \hat{\rho}$ to $\hat{\mathcal{X}}_5^{(h_2)} \setminus \hat{\rho}^{-1}(p_5)$ (resp. $\hat{\mathcal{X}}_5^{(h_3)} \setminus \hat{\rho}^{-1}(p_5)$) is given by $(a, b, c, d) \mapsto [a^2d : ad^2]$ (resp. $(a, b, c, d) \mapsto [a^2c^2d^4 : ac]$). Now, $(a, b, c, d) \mapsto [acd^4 : 1]$ is well-defined on $\hat{\mathcal{X}}_5^{(h_2)}$ and extends $\varphi_5 \circ \hat{\rho}$. Moreover, $(a, b, c, d) \mapsto [a : d]$ is well-defined on \mathcal{B} (thanks to the command `Dimension(Scheme(Xhat5[4][1], [a[1], a[4]]))`); in Computation III.4 below, which shows that the subvariety of $\hat{\mathcal{X}}_5^{(h_3)}$ defined by $a = d = 0$ is empty) and extends $\varphi_5 \circ \hat{\rho}$.

Computation III.4. —

```
> Xhat5:=LocalBlowUp(XWU5, Scheme(A6, [A6.k : k in [1..6]]));
>
> AFF4<a>:=AmbientSpace(Xhat5[4][1]);
> rhoh4:=Xhat5[4][2];
> DefiningEquations(rhoh4);
[
  a[1]^2*a[4],
  a[1]*a[4]^3,
  a[1]*a[2]*a[4],
  a[1]*a[4],
  a[1]*a[3]*a[4],
  a[1]*a[4]^2
]
>
> Dimension(Scheme(Xhat5[4][1], [a[1], a[4]]));
-1
>
> AFF5<a>:=AmbientSpace(Xhat5[5][1]);
> rhoh5:=Xhat5[5][2];
> DefiningEquations(rhoh5);
[
  a[1]*a[2],
  a[1]*a[3],
  a[1]*a[4],
  a[1]*a[3]*a[4]^2,
  a[1],
  a[1]*a[3]*a[4]
]
```

Therefore, it remains to understand what happens on the open affine subset of $\hat{\mathcal{X}}_5^{(h_1)}$. Then it follows from Computation III.6 below that

$$(III.5) \quad \hat{\mathcal{X}}_5^{(h_1)} = \{(a, b, c, d) \in \mathbb{A}^4(\mathbb{C}) \mid ac^2 = bd \quad \text{and}$$

$$abcd - \frac{512}{6561}bd^3 - \frac{6561}{2048}ab^2 - \frac{621}{16}abc - \frac{1600}{243}bd^2 - \frac{2750}{27}bd - 6a + \frac{3125}{144}b + \frac{3125}{18}c = 0\}$$

and that $\hat{\rho}(a, b, c, d) = (ab, acd^2, a, ac, ad, acd)$.

Computation III.6. —

```

> AFF3<a>:=AmbientSpace (Xhat5[3][1]);
> rhoh3:=Xhat5[3][2];
> MinimalBasis (Xhat5[3][1]);
[
  a[1]*a[3]^2 - a[2]*a[4],
  a[1]*a[2]*a[3]*a[4] - 512/6561*a[2]*a[4]^3 - 6561/2048*a[1]*a[2]^2
  - 621/16*a[1]*a[2]*a[3] - 1600/243*a[2]*a[4]^2 - 2750/27*a[2]*a[4]
  - 6*a[1] + 3125/144*a[2] + 3125/18*a[3]
]
> DefiningEquations (rhoh3);
[
  a[1]*a[2],
  a[1]*a[3]*a[4]^2,
  a[1],
  a[1]*a[3],
  a[1]*a[4],
  a[1]*a[3]*a[4]
]
> MinimalBasis (ReducedSubscheme (SingularSubscheme (Xhat5[3][1])
meet Scheme (XWU5, [Y3, Y4, h1, h2, h3, h4]) @@ Xhat5[3][2]));
[
  a[4],
  a[3],
  a[2],
  a[1]
]

```

Note also that the last command of the Computation III.4 above shows that \hat{p}_5 corresponds to the points $(0, 0, 0, 0)$ in $\hat{\mathcal{X}}_5^{(h_1)} \subset \mathbb{A}^4(\mathbb{C})$.

In particular, the restriction of $\varphi \circ \hat{\rho}$ to $\hat{\mathcal{X}}_5^{(h_1)} \setminus \hat{\rho}^{-1}(p_5)$ is given by

$$(a, b, c, d) \mapsto \begin{cases} [ab : acd] & \text{if } (ab, acd) \neq (0, 0), \\ [a^2c^2 : acd^2] & \text{if } (a^2c^2, acd^2) \neq (0, 0). \end{cases}$$

But this can be extended to a morphism $\hat{\varphi} : \hat{\mathcal{X}}_5^{(h_1)} \setminus \{(0, 0, 0, 0)\} \rightarrow \mathbb{P}^1(\mathbb{C})$ by the formula

$$(a, b, c, d) \mapsto \begin{cases} [b : cd] & \text{if } (b, cd) \neq (0, 0), \\ [ac : d^2] & \text{if } (ac, d^2) \neq (0, 0). \end{cases}$$

Indeed, if $(a, b, c, d) \in \hat{\mathcal{X}}_5^{(h_1)}$ satisfies $b = d = ac = 0$, then $a = b = c = d = 0$ (see the equations of $\hat{\mathcal{X}}_5^{(h_1)}$). \square

Therefore, it remains to prove that $\hat{\varphi} \circ \hat{\pi} : \hat{\mathcal{D}} \setminus \hat{\pi}^{-1}(\hat{p}_5) \rightarrow \mathbb{P}^1(\mathbb{C})$ can be extended to $\hat{\mathcal{D}}$, where $\hat{\mathcal{D}} = \hat{\pi}^{-1}(\hat{\mathcal{X}}_5^{(h_1)})$ is an open subset of $\hat{\mathcal{X}}$. Note that $\hat{\mathcal{D}}$ is also the blow-up of $\hat{\mathcal{X}}_5^{(h_1)}$ at \hat{p} . The Computation III.8 below shows that $\hat{\mathcal{D}}$ is embedded in $\mathbb{A}^4(\mathbb{C}) \times \mathbb{P}^2(\mathbb{C})$ and is the variety

of points $((a, b, c, d), [b' : c' : d']) \in \mathbb{A}^4(\mathbb{C}) \times \mathbb{P}^2(\mathbb{C})$ such that^(§)

$$(III.7) \quad \begin{cases} bc' = cb', \\ cd' = dc', \\ bd' = db', \\ ac'^2 = d'b', \\ acc' = db', \\ ac^2 = bd, \\ abcd - \frac{512}{6561}bd^3 - \frac{6561}{2048}ab^2 - \frac{621}{16}abc - \frac{1600}{243}bd^2 - \frac{2750}{27}bd - 6a + \frac{3125}{144}b + \frac{3125}{18}c = 0. \end{cases}$$

Computation III.8. —

```
> Dhat:=Blowup(Xhat5[3][1], Scheme(Xhat5[3][1], a));
> A4P2<a,b,c,d,dpr,cpr,bpr>:=AmbientSpace(Dhat);
> A4P2;
Projective Space of dimension 6 over Rational Field
Variables: a, b, c, d, dpr, cpr, bpr
The grading is:
  0, 0, 0, 0, 1, 1, 1
> MinimalBasis(Dhat);
[
  b*cpr - c*bpr,
  c*dpr - d*cpr,
  b*dpr - d*bpr,
  -a*cpr^2 + dpr*bpr,
  -a*c*cpr + d*bpr,
  -a*c^2 + b*d,
  144/3125*a*b*c*d - 1024/3375*a*c^2*d - 8192/2278125*b*d^3
  - 59049/400000*a*b^2 - 5589/3125*a*b*c - 352/75*a*c^2
  - 864/3125*a + b + 8*c
]
```

If $(a, b, c, d, b', c', d') \in \mathbb{C}^7$, we set

$$\begin{aligned} \alpha'(a, b, c, d, b', c', d') &= \left(abcd' - \frac{512}{6561}bd^2d' - \frac{6561}{2048}abb' - \frac{621}{16}abc' \right. \\ &\quad \left. - \frac{1600}{243}bdd' - \frac{2750}{27}bd' + \frac{3125}{144}b' + \frac{3125}{18}c' \right) / 6. \end{aligned}$$

Then, if $((a, b, c, d), [b' : c' : d']) \in \hat{\mathcal{D}}$, it is immediately checked from the equations (III.7) that

$$(III.9) \quad \begin{cases} \alpha'(a, b, c, d, b', c', d')b = ab', \\ \alpha'(a, b, c, d, b', c', d')c = ac', \\ \alpha'(a, b, c, d, b', c', d')d = ad', \end{cases}$$

Therefore, if $(b, cd) \neq (0, 0)$, then $[b : cd] = [b' : cd']$ and, if $(ac, d^2) \neq (0, 0)$, then $[ac : d^2] = [\alpha'(a, b, c, d, b', c', d')c' : d'^2]$. But if $b' = d' = \alpha'(a, b, c, d, b', c', d')c' = 0$, then $b' = c' = d' = 0$, which is impossible. Therefore, the formula

$$\hat{\varphi}((a, b, c, d), [b', c', d']) = \begin{cases} [b' : cd'] & \text{if } (b', cd') \neq (0, 0), \\ [\alpha'(a, b, c, d, b', c', d')c' : d'^2] & \text{if } (\alpha'(a, b, c, d, b', c', d')c', d'^2) \neq (0, 0), \end{cases}$$

^(§)A priori, $\hat{\mathcal{D}}$ should be embedded in $\mathbb{A}^4(\mathbb{C}) \times \mathbb{P}^3(\mathbb{C})$, but the second equation giving $\hat{\mathcal{X}}_5^{(h_1)}$ in (III.5) has a non-trivial homogeneous component of degree 1, which allows to eliminate one variable.

gives a well-defined morphism $\hat{\mathcal{D}} \rightarrow \mathbb{P}^1(\mathbb{C})$ which extends $\hat{\varphi} \circ \hat{\pi}$.

This shows that the morphism $\tilde{\varphi} : \tilde{\mathcal{X}} \rightarrow \mathbb{P}^1(\mathbb{C})$ expected by Theorem 5.1(a) is well-defined.

III.B. Elliptic fibration. — By the work done in the previous subsection, it remains to show that at least one fiber of $\tilde{\varphi}$ is a smooth elliptic curve. For this, let \mathcal{S} be the set of singular points of \mathcal{X}/W' different from p_5 and let $\mathcal{S}' = \varphi(\mathcal{S}) \subset \mathbb{P}^1(\mathbb{C})$. Note that \mathcal{S} and \mathcal{S}' are finite.

Among the four rational curves Δ_5^k , $1 \leq k \leq 4$, some of them are mapped to a point under $\tilde{\varphi}$ and some of them are mapped to the whole $\mathbb{P}^1(\mathbb{C})$. We denote by \mathcal{S}'' the set of points which are image of the rational curves contracted by $\tilde{\varphi}$. We set $U = \mathbb{P}^1(\mathbb{C}) \setminus (\mathcal{S}' \cup \mathcal{S}'')$. We denote by U' the open subset of $\mathbb{P}^1(\mathbb{C})$ such that the restriction of $\tilde{\varphi}$ to $\tilde{\varphi}^{-1}(U') \rightarrow U'$ is smooth. Finally, we set $U^+ = U \cap U'$.

Let $x \in U^+$. Since $[0 : 1]$ and $[1 : 0]$ belong to \mathcal{S}' , we can write $x = [1 : b]$ for some non-zero complex number b . Since $[1 : b] \notin \mathcal{S}''$, $\varphi^{-1}([1 : b])$ meets \mathcal{U}_3 and $\varphi^{-1}([1 : b]) \cap \mathcal{U}_3$ is a dense open subset of $\tilde{\varphi}^{-1}([1 : b])$ meets \mathcal{U}_3 . But it follows from (4.19) that

$$\varphi^{-1}([1 : b]) \cap \mathcal{U}_3 \simeq \{(c_3, j) \in \mathbb{A}^3(\mathbb{C}) \mid$$

$$j^2 = -3\left(\frac{27}{64} - \frac{16}{243}b\right)^2 - \frac{207}{32}c_3 - \frac{800}{729}bc_3 - \frac{1375}{81}c_3^2 + \frac{3125}{864b}c_3^3 + \frac{3125}{108b}c_3^4\}.$$

This equation shows that $\varphi^{-1}([1 : b]) \cap \mathcal{U}_3$ has genus 1, and so $\varphi^{-1}([1 : b])$ is a smooth elliptic curve.

This shows that the morphism $\tilde{\varphi} : \tilde{\mathcal{X}} \rightarrow \mathbb{P}^1(\mathbb{C})$ is an elliptic fibration.

III.C. Local study at p_9 and p_{12} . — Let us first study the situation at p_9 . For this, we work in the affine chart \mathcal{U}_3 and use the equations (4.19). In this chart, which is a closed subvariety of $\mathbb{A}^4(\mathbb{C})$, the point p_9 has coordinates $(0, 0, 0, 27\sqrt{-3}/64)$. Moving this point to the origin by working with the coordinate $j_3 = j - 27\sqrt{-3}/64$, we get from (4.19) that

$$(\mathcal{X}/W') \cap \mathcal{U}_3 = \{(a_3, b_3, c_3, j_3) \in \mathbb{A}^4(\mathbb{C}) \mid c_3^3 = a_3b_3 \text{ and}$$

$$(j_3 + \sqrt{-3}\frac{27}{64})^2 = -3\left(\frac{27}{64} - \frac{16}{243}b_3\right)^2 - \frac{207}{32}c_3 - \frac{800}{729}b_3c_3 - \frac{1375}{81}c_3^2 + \frac{3125}{864}a_3 + \frac{3125}{108}a_3c_3\},$$

$$\mathcal{C}_4 = \{(a_3, b_3, c_3, j_3) \in \mathbb{A}^4(\mathbb{C}) \mid b_3 = c_3 = 0 \text{ and } j_3^2 + \sqrt{-3}\frac{27}{32}j_3 = \frac{3125}{864}a_3\},$$

$$\mathcal{C}_5^+ = \{(a_3, b_3, c_3, j_3) \in \mathbb{A}^4(\mathbb{C}) \mid a_3 = c_3 = 0 \text{ and } j_3 = -\sqrt{-3}\frac{16}{243}b_3\}$$

and

$$p_9 = (0, 0, 0, 0) \in \mathcal{C}_4 \cap \mathcal{C}_5^+.$$

Working in the completed local ring of \mathcal{U}_3 at p_9 , we can replace the variable j_3 by $j'_3 = j_3^2 + \sqrt{-3}\frac{27}{32}j_3$, so that, in $\hat{\mathcal{O}}_{\mathcal{X}/W', p_9}$, j'_3 can be expressed in terms of the variables a_3, b_3, c_3 . In other words,

$$\hat{\mathcal{O}}_{\mathcal{X}/W', p_9} \simeq \mathbb{C}[[a_3, b_3, c_3]]/\langle c_3^3 - a_3b_3 \rangle$$

and

$$\hat{\mathcal{O}}_{\mathcal{C}_4, p_9} \simeq \hat{\mathcal{O}}_{\mathcal{X}/W', p_9}/\langle b_3, c_3 \rangle \quad \text{and} \quad \hat{\mathcal{O}}_{\mathcal{C}_5^+, p_9} \simeq \hat{\mathcal{O}}_{\mathcal{X}/W', p_9}/\langle a_3, c_3 \rangle.$$

The computation of the intersections of $\tilde{\mathcal{C}}_5^+$, $\tilde{\mathcal{C}}_4$, Δ_9^1 and Δ_9^2 can be done with these completed local rings, and we get that, after exchanging Δ_9^1 and Δ_9^2 if necessary, the following result holds:

Lemma III.10. — *The curve $\tilde{\mathcal{C}}_5^+$ (resp. $\tilde{\mathcal{C}}_4$) intersects Δ_9^1 (resp. Δ_9^2) transversely at one point and does not intersect Δ_9^2 (resp. Δ_9^1).*

The situation at p_{12} is very similar to the situation at p_9 . Indeed, we work in the affine chart \mathcal{U}_4 and use the equations (4.20) and we obtain that

$$\hat{\mathcal{O}}_{\mathcal{X}/W', p_{12}} \simeq \mathbb{C}[[a_4, b_4, c_4]]/\langle c_4^4 - a_4 b_4 \rangle$$

and

$$\hat{\mathcal{O}}_{\mathcal{C}_3, p_{12}} \simeq \hat{\mathcal{O}}_{\mathcal{X}/W', p_{12}}/\langle b_4, c_4 \rangle \quad \text{and} \quad \hat{\mathcal{O}}_{\mathcal{C}_5^+, p_{12}} \simeq \hat{\mathcal{O}}_{\mathcal{X}/W', p_{12}}/\langle a_4, c_4 \rangle.$$

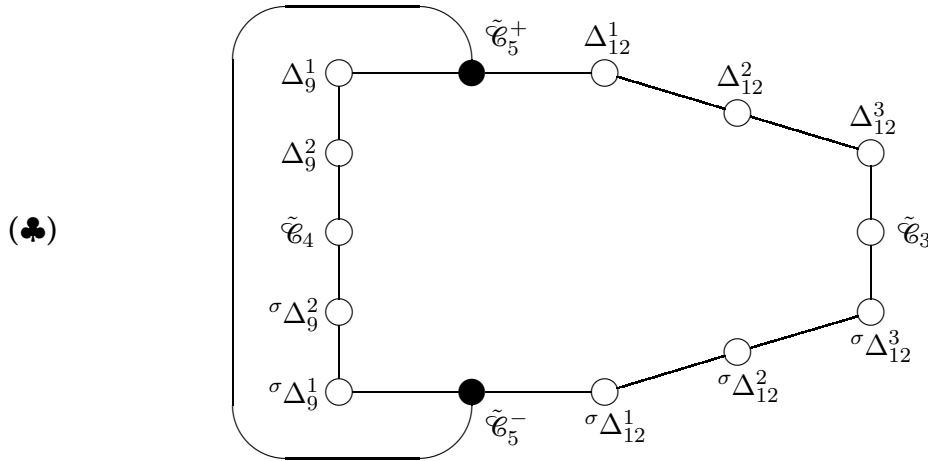
Therefore, after exchanging Δ_{12}^1 and Δ_{12}^3 if necessary, the following result holds:

Lemma III.11. — *The curve $\tilde{\mathcal{C}}_5^+$ (resp. $\tilde{\mathcal{C}}_3$) intersect Δ_{12}^1 (resp. Δ_{12}^3) transversely at one point and does not intersect $\Delta_{12}^2 \cup \Delta_{12}^3$ (resp. $\Delta_{12}^1 \cup \Delta_{12}^2$).*

Finally, since \mathcal{C}_5^+ and \mathcal{C}_5^- intersect transversely at a smooth point of \mathcal{X}/W , we get:

Lemma III.12. — *The curves $\tilde{\mathcal{C}}_5^+$ and $\tilde{\mathcal{C}}_5^-$ intersect transversely at only one point.*

Using the automorphism σ , Lemmas III.10, III.11 and III.12 show that the intersection graph of the 14 smooth rational curves $\tilde{\mathcal{C}}_3, \tilde{\mathcal{C}}_4, \tilde{\mathcal{C}}_5^+, \tilde{\mathcal{C}}_5^-, (\Delta_9^k)_{1 \leq k \leq 2}, (\sigma \Delta_9^k)_{1 \leq k \leq 2}, (\Delta_{12}^k)_{1 \leq k \leq 3}$ and $(\sigma \Delta_{12}^k)_{1 \leq k \leq 3}$ is given by:



This shows part of Theorem 5.1(b).

III.D. Singular fibers. — The study of singular fibers will be done in several steps:

III.D.1. Singular fiber above $[0 : 1]$. — The fiber $\tilde{\varphi}^{-1}([0 : 1])$ contains $\Delta_{12}^1, \Delta_{12}^2, \Delta_{12}^3, \sigma \Delta_{12}^1, \sigma \Delta_{12}^2, \sigma \Delta_{12}^3, \tilde{\mathcal{C}}_3$ and maybe some of the curves Δ_5^k . Since the curves Δ_5^k do not intersect the curves Δ_{12}^l and $\sigma \Delta_{12}^m$, the Kodaira classification of singular fibers (together with the graph (♣)) shows that $\tilde{\varphi}^{-1}([0 : 1])$ contains exactly one of the curves Δ_5^k and is a singular fiber of type E_7 .

III.D.2. Singular fiber above $[1 : 0]$. — The fiber $\tilde{\varphi}^{-1}([1 : 0])$ contains $\Delta_9^1, \Delta_9^2, \sigma\Delta_9^1, \sigma\Delta_9^2, \tilde{\mathcal{C}}_4$ and maybe some of the curves Δ_5^k . Since the curves Δ_5^k do not intersect the curves Δ_9^l and $\sigma\Delta_9^m$, the Kodaira classification of singular fibers (together with the graph (♣)) shows that $\tilde{\varphi}^{-1}([1 : 0])$ contains exactly two of the curves Δ_5^k and is a singular fiber of type E_6 .

III.D.3. Singular fibers above $\varphi(p_1), \varphi(p'_1)$ and $\varphi(p'_2)$. — Let $\mathcal{E}_1 = \tilde{\varphi}^{-1}(\varphi(p_1)), \mathcal{E}'_1 = \tilde{\varphi}^{-1}(\varphi(p'_1))$ and $\mathcal{E}_2 = \tilde{\varphi}^{-1}(\varphi(p_2))$. Since \mathcal{E}_1 contains Δ_1 and at least one other irreducible curve, the Kodaira classification of singular fibers shows that the Euler characteristic $\chi(\mathcal{E}_1)$ of \mathcal{E}_1 is ≥ 2 , and is equal to 2 if and only if it is of type I_2 in Kodaira's notation. The same hold for \mathcal{E}'_1 . Also, \mathcal{E}_2 contains $\Delta_2^1 \cup \Delta_2^2$ and at least one other irreducible curve. So $\chi(\mathcal{E}_2) \geq 3$, with equality if and only if \mathcal{E}_2 is of type I_2 in Kodaira's notation.

But, by the two previous paragraphs, we have

$$\chi(\tilde{\varphi}^{-1}([0 : 1])) = 9 \quad \text{and} \quad \chi(\tilde{\varphi}^{-1}([1 : 0])) = 8.$$

Since the sum of the Euler characteristics of the singular fibers is equal to 24, this forces $\chi(\mathcal{E}_1) = \chi(\mathcal{E}'_1) = 2$ and $\chi(\mathcal{E}_2) = 3$ and that there is no other singular fiber for $\tilde{\varphi}$. This completes the proof of Theorem 5.1(a).

III.E. Local study at p_5 . — The fiber $\hat{\rho}^{-1}(p_5)$ is the union of two smooth rational curves. By (III.5), its intersection with $\hat{\mathcal{X}}_5^{(h_1)}$ is given by the following equations:

$$\hat{\rho}^{-1}(\hat{p}_5) \cap \hat{\mathcal{X}}_5^{(h_1)} = \{(a, b, c, d) \in \mathbb{A}^4(\mathbb{C}) \mid a = bd = b + 8c = 0\}.$$

It contains two irreducible components $\hat{\Delta}_5^b$ and $\hat{\Delta}_5^d$ which are respectively given by the equations $a = b = c = 0$ and $a = d = b + 8c = 0$. The restriction of $\hat{\varphi}$ to $\hat{\Delta}_5^b \setminus \{\hat{p}_5\}$ is constant and equal to $[0 : 1]$, while its restriction to $\hat{\Delta}_5^d$ is constant and equal to $[1 : 0]$. We denote by $\hat{\Delta}_5^1$ (resp. $\hat{\Delta}_5^2$) the closure of $\hat{\Delta}_5^a$ (resp. $\hat{\Delta}_5^b$) in $\hat{\mathcal{X}}$.

We denote by $\hat{\mathcal{C}}_3$ and $\hat{\mathcal{C}}_4$ the respective strict transforms of \mathcal{C}_3 and \mathcal{C}_4 in the blow-up $\hat{\mathcal{X}}$.

Lemma III.13. — *With the above notation, the following holds:*

- (a) *The curve $\hat{\mathcal{C}}_3$ meets $\hat{\Delta}_5^1$ and does not meet $\hat{\Delta}_5^2$.*
- (b) *The curve $\hat{\mathcal{C}}_4$ meets $\hat{\Delta}_5^1 \cup \hat{\Delta}_5^2$ only at \hat{p}_5 .*

Proof. — Let $k \in \{3, 4\}$. Since \mathcal{C}_k is a smooth rational curve, its strict transform meets $\hat{\rho}^{-1}(p_5)$ (which is identified with the tangent cone of \mathcal{X}/W' at p_5) at only one point (the line given by the tangent space of \mathcal{C}_k at p_5).

As $\mathcal{C}_3 \cap \mathcal{U}_5$ is the subscheme of $(\mathcal{X}/W') \cap \mathcal{U}_5$ defined by the equations $Y_3 = h_1 = h_2 = h_4 = 0$, its strict transform does not meet the open chart $\hat{\mathcal{X}}_5^{(h_1)}$. So $\hat{p}_5 \notin \hat{\mathcal{C}}_3$. So $\hat{\mathcal{C}}_3$ meets $\hat{\Delta}_5^1$ or $\hat{\Delta}_5^2$ but does not meet both. Since $\hat{\varphi}(\hat{\mathcal{C}}_3 \setminus \{\hat{p}_5\}) = \hat{\varphi}(\hat{\Delta}_5^1 \setminus \{\hat{p}_5\}) = [0 : 1] \neq [1 : 0] = \hat{\varphi}(\hat{\Delta}_5^2 \setminus \{\hat{p}_5\})$, we get (a).

As $\mathcal{C}_4 \cap \mathcal{U}_5$ is the subscheme of $(\mathcal{X}/W') \cap \mathcal{U}_5$ defined by the equations $Y_4 = h_2 = h_3 = h_4 = 0$ and since $\hat{\rho}(a, b, c, d) = (ab, acd^2, a, ac, ad, acd)$, $\hat{\mathcal{C}}_4 \cap \hat{\mathcal{X}}_5^{(h_1)}$ is the subscheme of $\hat{\mathcal{X}}_5^{(h_1)}$ defined by the equations $c = d = 0$. So it contains \hat{p}_5 . \square

We denote by $\hat{\Delta}_5^1$ and $\hat{\Delta}_5^4$ the respective strict transforms of $\hat{\Delta}_5^1$ and $\hat{\Delta}_5^2$ in $\hat{\mathcal{X}}$. Also, we denote by $\hat{\Delta}_5^2$ and $\hat{\Delta}_5^3$ the two smooth rational curves contained in $\hat{\pi}^{-1}(\hat{p}_5)$, numbered in

such a way that $\hat{\Delta}_5^1 \cap \hat{\Delta}_5^2 \neq \emptyset$. Finally, we denote by $\hat{\mathcal{C}}_4$ the strict transform of \mathcal{C}_4 in $\hat{\mathcal{X}}$. These are all smooth rational curves. Using the equations of $\hat{\mathcal{D}}$ given in (III.7), we get that:

- $\hat{\Delta}_5^1 \cap \hat{\mathcal{D}} = \{((0, 0, 0, d), [0 : 0 : 1]) \mid d \in \mathbb{C}\}$ and

$$\tilde{\varphi}((0, 0, 0, d), [0 : 0 : 1]) = [0 : 1].$$
- $\hat{\Delta}_5^2 \cap \hat{\mathcal{D}} = \hat{\Delta}_5^2 = \{((0, 0, 0, 0), [0 : x : y]) \mid [x : y] \in \mathbb{P}^1(\mathbb{C})\}$ and

$$\tilde{\varphi}((0, 0, 0, 0), [0 : x : y]) = [(3125/108)x^2 : y^2].$$
- $\hat{\Delta}_5^3 \cap \hat{\mathcal{D}} = \hat{\Delta}_5^3 = \{((0, 0, 0, 0), [x : y : 0]) \mid [x : y] \in \mathbb{P}^1(\mathbb{C})\}$ and

$$\tilde{\varphi}((0, 0, 0, 0), [x : y : 0]) = [1 : 0].$$
- $\hat{\Delta}_5^4 \cap \hat{\mathcal{D}} = \{((0, -8c, c, 0), [-8 : 1 : 0]) \mid c \in \mathbb{C}\}$ and

$$\tilde{\varphi}((0, -8c, c, 0), [-8 : 1 : 0]) = [1 : 0].$$
- $\hat{\mathcal{C}}_4 = \{((a, b, 0, 0), [1 : 0 : 0]) \mid \frac{6561}{2048}ab^2 + 6a - \frac{3125}{144}b = 0\}$ and

$$\tilde{\varphi}((a, b, 0, 0), [1 : 0 : 0]) = [1 : 0].$$

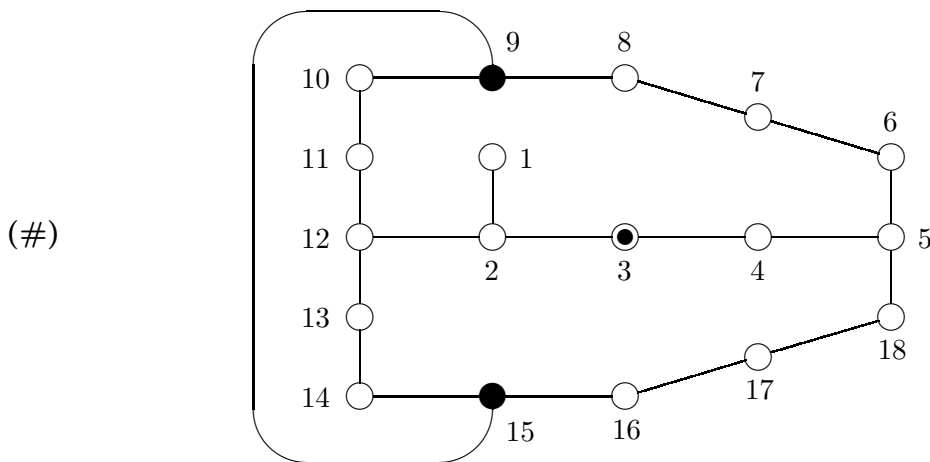
This allows to check easily that the intersection graph given in Theorem 5.1 is correct.

III.F. Sections. — The fact that $\tilde{\mathcal{C}}_5^+$ and $\tilde{\mathcal{C}}_5^-$ are sections of $\tilde{\varphi}$ follows from their explicit description given in the proof of Proposition 4.14. The fact that Δ_5^2 is a double section follows from the computations done at the end of the previous subsection.

The proof of Theorem 5.1(b) is now complete.

Appendix IV. Magma computations for the proof of Theorem 5.1(c) and (e)

IV.A. Theorem 5.1(c). — In the next MAGMA computation, we use the following numbering of the nodes of the big connected subgraph of (\star):



Computation IV.1. —

```

> G:=Graph<18 | [{2},{1,3,12},{2,4},{3,5},{4,6,18},{5,7},{6,8},
  {7,9},{8,10,15},{9,11},{10,12},{2,11,13},{12,14},{13,15},{9,14,16},
  {15,17},{16,18},{5,17}]>;
> M:=AdjacencyMatrix(G);
> M:=M-2*M^0;
> Rank(M);
16
> liste:=Subsets({1..18},16);
> liste:=[[j : j in k] : k in liste];
> minors:=[Minor(M,k,k) : k in liste];
> Gcd(minors);
19
> test:=[2,4,5,6,7,8,9,10,11,12,13,14,15,16,17,18];
> Minor(M,test,test);
-19

```

IV.B. Theorem 5.1(e). — Let us first determine the image of $-q_P : P^\perp/P \rightarrow \mathbb{Q}/2\mathbb{Z}$. Since

$$P = P_1 \perp \oplus P'_1 \perp \oplus P_2 \perp \oplus P_3,$$

with $P_1 = \mathbb{Z}\Delta_1$, $P'_1 = \mathbb{Z}\Delta'_1$, $P_2 = \mathbb{Z}\Delta_2^1 \oplus \mathbb{Z}\Delta_2^2$ and P_3 is generated by the nodes numbered 2, 4, 5, 6, ..., 18 in the above diagram (#). Let M_0 denote the submatrix of the matrix M of Computation IV.1 corresponding to this list of 16 nodes. Set $\pi_1 = \Delta_1/2$, $\pi'_1 = \Delta'_1/2$, $\pi_2 = (\Delta_2 + 2\Delta_2')/3$ and π_3 be the vector of $\mathbb{Q} \otimes_{\mathbb{Z}} P_3$ whose coordinates are given by the fourth row of M_0^{-1} . Then

$$P^\perp/P = (\mathbb{Z}/2\mathbb{Z})\pi_1 \oplus (\mathbb{Z}/2\mathbb{Z})\pi'_1 \oplus (\mathbb{Z}/3\mathbb{Z})\pi_2 \oplus (\mathbb{Z}/19\mathbb{Z})\pi_3.$$

Indeed, this follows from the fact that $\det(M_0) = -19$ and that some coordinates of π_3 have denominator equal to 19:

Computation IV.2. —

```

> M0:=Submatrix(M,test,test);
> M0:=ChangeRing(M0,Rationals());
> pi3:=Submatrix(M0^-1,[4],[1..16]);
> pi3[1][4];
-150/19

```

The last command of Computation IV.2 also shows that

$$\langle \pi_3, \pi_3 \rangle = -\frac{150}{19}.$$

Moreover,

$$\langle \pi_1, \pi_1 \rangle = \langle \pi'_1, \pi'_1 \rangle = -\frac{1}{2} \quad \text{and} \quad \langle \pi_2, \pi_2 \rangle = -\frac{2}{3}.$$

Since $114\pi \in P$ for all $\pi \in P^\perp$, we will compute the image of the map $-114q_P$, which is a subset `set0` of $\mathbb{Z}/228\mathbb{Z}$ (the last command shows that `set0` has cardinality 60):

Computation IV.3. —

```

> set0:=&cat &cat &cat set0;
> set0:=Set([Numerator(114*s) mod 228 : s in set0]);
> # set0;
60

```

Recall that

$$M_1 = \begin{pmatrix} 2 & 0 \\ 0 & 114 \end{pmatrix}, \quad M_2 = \begin{pmatrix} 6 & 0 \\ 0 & 38 \end{pmatrix}, \quad M_3 = \begin{pmatrix} 4 & 2 \\ 2 & 58 \end{pmatrix} \quad \text{and} \quad M_4 = \begin{pmatrix} 12 & 6 \\ 6 & 22 \end{pmatrix}$$

and let T_k denote the rank 2 lattice determined by the matrix M_k . We denote by $q_k : T_k^\perp/T_k \rightarrow \mathbb{Q}/2\mathbb{Z}$ the map induced by the quadratic form on T_k . Again, $114\pi \in T_k$ for all $\pi \in T_k^\perp$, so we will in fact compute the image set_k of $114q_k$ (which is also a subset of $\mathbb{Z}/228\mathbb{Z}$):

Computation IV.4. —

```

> M1:=Matrix(Rationals(),2,2,[[2,0],[0,114]]);
> M2:=Matrix(Rationals(),2,2,[[6,0],[0,38]]);
> M3:=Matrix(Rationals(),2,2,[[4,2],[2,58]]);
> M4:=Matrix(Rationals(),2,2,[[12,6],[6,22]]);
>
> pi11:=Submatrix(M1^-1,[1],[1,2]);
> pi12:=Submatrix(M1^-1,[2],[1,2]);
> set1:=&cat [[(a*pi11+b*pi12)*M1*Transpose(a*pi11+b*pi12) :
      a in [0..113] : b in [0..113]];
> set1:=Set([Numerator(114*s[1][1]) mod 228 : s in set1]);
>
> pi21:=Submatrix(M2^-1,[1],[1,2]);
> pi22:=Submatrix(M2^-1,[2],[1,2]);
> set2:=&cat [[(a*pi21+b*pi22)*M2*Transpose(a*pi21+b*pi22) :
      a in [0..113] : b in [0..113]];
> set2:=Set([Numerator(114*s[1][1]) mod 228 : s in set2]);
>
> pi31:=Submatrix(M3^-1,[1],[1,2]);
> pi32:=Submatrix(M3^-1,[2],[1,2]);
> set3:=&cat [[(a*pi31+b*pi32)*M3*Transpose(a*pi31+b*pi32) :
      a in [0..113] : b in [0..113]];
> set3:=Set([Numerator(114*s[1][1]) mod 228 : s in set3]);
>
> pi41:=Submatrix(M4^-1,[1],[1,2]);
> pi42:=Submatrix(M4^-1,[2],[1,2]);
> set4:=&cat [[(a*pi41+b*pi42)*M4*Transpose(a*pi41+b*pi42) :
      a in [0..113] : b in [0..113]];
> set4:=Set([Numerator(114*s[1][1]) mod 228 : s in set4]);
> set0 eq set1;set0 eq set2;set0 eq set3;set0 eq set4;
true
false
false
false

```

The last command shows that the image of $-q_P$ coincides with the image of q_1 and does not coincide with the image of q_2, q_3 or q_4 . This completes the proof of Theorem 5.1(e).

References

- [BaSa] W. BARTH & A. SARTI, *Polyhedral groups and pencils of $K3$ -Surfaces with maximal Picard number*, Asian J. of Math. **7** (2003), 519-538.

- [Bon1] C. BONNAFÉ, *Some singular curves and surfaces arising from invariants of complex reflection groups*, Exp. Math. **30** (2021), 429-440.
- [Bon2] C. BONNAFÉ, *A construction of the Shephard-Todd group G_{32} through the Weyl group of type E_6* , preprint (2023), [arXiv:2310.19560](https://arxiv.org/abs/2310.19560). To appear in Portugaliae Mathematica.
- [BoSa1] C. BONNAFÉ & A. SARTI, *Complex reflection groups and K3 surfaces I*, Épijournal de Géo. Alg. **5** (2021), Art. 3.
- [BoSa2] C. BONNAFÉ & A. SARTI, *K3 surfaces with maximal finite automorphism groups containing M_{20}* , Ann. Inst. Fourier **71** (2021), 711-730.
- [BoSa3] C. BONNAFÉ & A. SARTI, *Complex reflection groups and K3 surfaces II. The groups G_{29} , G_{30} and G_{31}* , J. Korean Math. Soc. **60** (2023), 695-743.
- [BCP97] W. BOSMA, J. CANNON & C. PLAYOUST, *The Magma algebra system I. The user language*, Computational algebra and number theory (London, 1993), J. Symbolic Comput. **24** (1997), 235-265.
- [Bou] N. BOURBAKI, *Groupes et algèbres de Lie, Chapitres 4, 5, 6*, Actualités Scientifiques et Industrielles **1337**, Hermann, Paris, 1968.
- [BrHa] S. BRANDHORST & K. HASHIMOTO, *Extensions of maximal symplectic actions on K3 surfaces*, Ann. H. Lebesgue **4** (2021), 785-809.
- [Bro] M. BROUÉ, *Introduction to complex reflection groups and their braid groups*, Lecture Notes in Math. **1988**, Springer-Verlag, Berlin, 2010. xii+138 pp.
- [Bue] D. A. BUELL, *Binary Quadratic forms, classical Theory and Modern Computations*, Springer-Verlag 1989.
- [Dim] A. DIMCA, *On the homology and cohomology of complete intersections with isolated singularities*, Compo. Math. **58**, 321-339.
- [Har] R. HARTSHORNE, *Algebraic geometry*, Grad. Texts in Math. **52**, Springer-Verlag, New York, Heidelberg, Berlin, 1977, xvi + 496 pp.
- [Huy] D. HUYBRECHTS, *Lectures on K3 surfaces*, Cambridge Stud. Adv. Math. **158**. Cambridge University Press, Cambridge, 2016, xi+485 pp.
- [LeMi] G. I. LEHRER & J. MICHEL, *Invariant theory and eigenspaces for unitary reflection groups*, C. R. Math. Acad. Sci. Paris **336** (2003), 795-800.
- [LeSp1] G. I. LEHRER & T. A. SPRINGER, *Intersection multiplicities and reflection subquotients of unitary reflection groups I*. In: Geometric group theory down under (Canberra, 1996), pp. 181-193, de Gruyter, Berlin, 1999.
- [LeSp2] G. I. LEHRER & T. A. SPRINGER, *Reflection subquotients of unitary reflection groups*, Canad. J. Math. **51** (1999), 1175-1193.
- [Mil] J. MILNOR, *Singular points of complex hypersurfaces*, Ann. of Math. Stud. **61**, Princeton University Press, Princeton, NJ; University of Tokyo Press, Tokyo, 1968, iii+122 pp.
- [Nik] V. V. NIKULIN, *Integral symmetric bilinear forms and some of their applications*, Math. USSR Izvestija **14** (1980), 103-167.
- [Sar] A. SARTI, *Transcendental lattices of some K3 surfaces*, Math. Nachr. **281** (2008), 1031-1046.
- [Shi] I. SHIMADA, *On elliptic K3 surfaces*, Michigan Math. J. **47** (2000), 423-446.
- [Spr] T. A. SPRINGER, *Regular elements of finite reflection groups*, Invent. Math. **25** (1974), 159-198.

January 9, 2025

CÉDRIC BONNAFÉ, IMAG, Université de Montpellier, CNRS, Montpellier, France

E-mail: cedric.bonnafe@umontpellier.fr

Url: <http://imag.umontpellier.fr/~bonnafe/>