

Building a simple oscillator based Ising machine for research and education

Bernd Ulmann, anabrid GmbH / FOM University of Applied Sciences, Frankfurt/Main, Germany, Email: ulmann@anabrid.com

Shrish Roy, anabrid GmbH, Frankfurt/Main, Germany, Email: roy@anabrid.com

Abstract—Oscillator based ISING machines are non-von-Neumann machines ideally suited for solving combinatorial problems otherwise intractable on classic stored-program digital computers due to their run-time complexity. Possible future applications are manifold ranging from quantum simulations to protein folding and are of high academic and commercial interest as well. Described in the following is a very simple such machine aimed at educational and research applications.

I. INTRODUCTION

Computer science and mathematics offer various frameworks for categorizing the complexity of problems. One such classification is NP-hardness, which characterizes problems for which the computation of solutions is computationally intensive, i.e., they cannot be obtained in polynomial time on a deterministic machine. Such problems manifest across a broad spectrum of disciplines, including physics, biology, engineering, and even recreational games. The ISING problem, categorized as an NP-hard problem, is derived from the ISING model in physics, originally investigated by ERNST ISING in 1925 (see [ISING 1925]). This model is mathematically formulated as follows ([WANG et al. 2019]):

$$H = - \sum_{i,j} J_{ij} \sigma_i \sigma_j - \sum_j h \sigma_j, \quad (1)$$

In order to comprehend this, the above equation can be envisioned as a magnetic structure or material comprising diminutive particles that exhibit spin $\sigma_i \in \{-1, +1\}$ indicating either a downward or an upward spin. The coupling coefficient $J_{ij} \in \mathbb{R}$ represents a spin-spin interaction term between adjacent particles and an external field h (in many cases, this is simplified by omitting the second summation term in the literature). Aggregating these values yields a Hamiltonian H that characterizes the energy of the entire system. The ISING problem then inquires as to the spin configuration of these particles (given a magnetic structure where the interaction term is specified) that would result in the minimum energy for the entire system. Thus, (1) becomes an optimization problem.

It is established that NP problems (decision problems solvable by a non-deterministic machine within polynomial time) can be transformed into an NP-hard problem utilizing polynomial resources. In pursuit of a theoretical solution for all possible NP problems, the following concept emerged: Use a physical system inspired by the ISING model consisting of particles with varying upward and downward spins. When presented with an ISING problem, the system is configured on the basis of

the Hamiltonian corresponding to the problem. It then solves this optimization problem naturally evolving towards the lowest energy state of the Hamiltonian, i.e., it converges towards the ground state. Consequently, its output values achieve sum minimization.

The methodologies for physically building such machines differ, adopting various techniques to compute values. Nevertheless, mathematically, they all strive towards the same objective. These machines are known as *ISING Machines* (see [MOHSENI et al., 2022], [BIAN et al. 2024]).

One particular implementation of such a machine involves the utilization of a network of mutually coupled oscillators. In this context, the system's convergence towards a ground state is facilitated by the synchronization of these coupled oscillators ([PIKOVSKY et al. 2003]), rather than spins interacting with one another (see also [CHOU et al. 2019] or [WANG et al. 2019]).

These oscillators may achieve synchronization either in phase or out of phase (antiphase). The ISING machine based on oscillators, as delineated in this paper, exhibits antiphase synchronization; that is, two mutually coupled oscillators will synchronize such that one oscillator is out of phase with the oscillator it is interacting with. Consequently, max-cut problems are identified as the optimal choice for this type of architecture.¹

The max-cut problem is to find a bipartition of the vertices of an edge-weighted graph $G(V, E)$ maximizing the weight of the edges crossing the partition. Here, V is the number of vertices and E is the number of edges. The implementation of max-cut within the *Ising* model is relatively straightforward, given that positive (antiferromagnetic) couplers correspond to edges whose removal decreases the objective function value. Consequently, the mapping is direct and aligns with the adjacency matrix of the respective graph.

To ensure that the oscillators will eventually lock in only two possible phase relationships, 0 and π respectively, a *second harmonic injection locking (SHIL)* signal is fed to all oscillators in such a machine. This SHIL signal has twice the frequency with respect to the resonance frequency of the individual oscillators.

Given that if the edge weight between two vertices of a graph G is μ_{ij} then based on (1): $J = -\mu_{ij}$. Consequently, the resulting adjacency matrix delineates the specific oscillators that are to be

¹Apart from max-cut problems there is a plethora of application areas for machines of this type, including protein folding ([ORTIZ 2012]), quantum simulation ([BRIGGS et al. 2013]), cancer research ([WANG et al. 2019]), neuromorphic computing ([EFFENBERGER et al.]) and many more. A comprehensive list of ISING formulations for a wide variety of NP problems can be found in [LUCAS 2014].

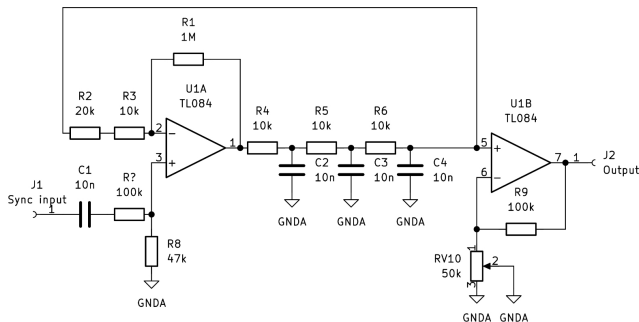


Fig. 1. Schematic of the phase shift oscillator

interconnected. The system subsequently evolves to the desired solution of the max-cut problem.

It should be noted that the mapping of alternative optimization problems presents significant complexities. The conversion of *quadratic unconstrained binary optimization (QUBO)* problems (see [KOCHENBERGER et al., 2014]) to ISING formulations, and vice versa, has been meticulously examined by Dwave (see [D-Wave]), providing valuable insights into the mapping of max-cut problems onto the hardware described in this paper.

Nevertheless, the precise mapping of generalized QUBO problems onto a specific hardware is yet to be fully elucidated.

II. IMPLEMENTATION

The system described in the following consists of just eight oscillators with an all-to-all interconnect scheme and is capable of solving max-cut problems as described above. Due to its simplicity this system is ideally suited for spin off replicas and allow students the chance of getting actual hands-on-experience with such novel computing approaches.

The first task towards building a little demonstration system is the selection of a suitable oscillator type such as ring oscillators, LC oscillators, phase shift oscillators, etc. The selection of an oscillator must also take into account the question if the synchronization connection should be a dedicated input or if synchronization and output signal are connected to the same port of the oscillator. The former variant allows for asymmetric coupling matrices while the latter would imply symmetric coupling matrices, which would have the advantage of only requiring a triangular coupling matrix instead of a full quadratic matrix for an all-to-all coupling, thus substantially decreasing the overall complexity of the machine.

To achieve utmost flexibility in the configuration of this experimental machine it was decided to use oscillators with separate synchronization and output ports, thus allowing asymmetric coupling schemes. Due to its inherent simplicity and well-behavedness, a phase shift oscillator shown in figure 1 was chosen. The main operational amplifier on the left has the synchronization input connected to its non-inverting input, thus assuring that there will always be an inherent phase shift of π between this input and the output of the oscillator. The second operational amplifier on the right just serves as an output buffer, the signal amplitude is set to $\approx 4V_{pp}$ with RV10 with the oscillator running from a symmetric $\pm 15V$ source.

```
use strict;
use warnings;
use IO::HyCon;
...
my $ac = IO::HyCon->new($yaml_filename);
$ac->setup(); # Set all connection weights

my (%counter, $i);
for my $run (1 .. $runs) {
    $ac->digital_output(0, 0); # Switch off sync inputs of the PSOs
    usleep($free_interval); # Let the oscillators run freely
    $ac->digital_output(0, 1); # Enable sync inputs
    usleep($locked_interval); # Time for the oscillators and the
    # phase detectors to settle down

    my $result = join('', @{$ac->read_digital()[0..3]});
    print "$result ";
    $counter{$result}++; # Make result count
}
...
# Print statistics...
...
```

Fig. 2. Basic control program structure

Eight such oscillators were built on two Euro format PCBs using cheap TL084 quad operational amplifiers. The resonance frequency is about 3.8 kHz with the parts values shown in the schematic.

To achieve all-to-all coupling, 56 coupling weights are required (there is no need to couple an oscillator to itself). Each such weight consists of an AD5293 digital potentiometer with a resolution of 10 bits. 24 such devices are contained on an anabrid Model-1 ([ULMANN/1, 2019]) analog computer DPT24 module and can be configured by means of an attached digital computer using a simple hybrid computer controller ([ULMANN/2, 2019]), which also contains eight such digital potentiometers. All in all two DPT24 and one HC module were needed to implement the required 56 digital potentiometers.

It is mandatory that all connection weights representing a certain graph are activated simultaneously to avoid that the machine locks onto some spurious solution. This is achieved by eight analog electronic switches, one dedicated to the synchronization input of each oscillator. A typical run of the machine follows these steps:

- 1) Deactivate all synchronization inputs.
- 2) Set the coupling weights as required by the underlying graph.
- 3) Let the oscillators run freely for a short moment to ensure random phase relationships between the oscillators.
- 4) Activate all synchronization inputs.
- 5) Wait for a few oscillation periods (typically < 10) until the phase relationships have stabilized.
- 6) Read out the phases representing the solution for the problem.

These steps are performed by a simple control program as shown in figure 2.

Figure 3 shows the final setup of the system. The actual system is built from anabrid Model-1 analog computing modules which are connected by patch cables. Results are displayed by means of two four channel digital oscilloscopes, one on top of the machine, one to its right. Also on top is a HP 3310A function generator delivering the SHIL signal as well as a frequency counter. The remaining equipment is used for various experiments exceeding the scope of this paper.

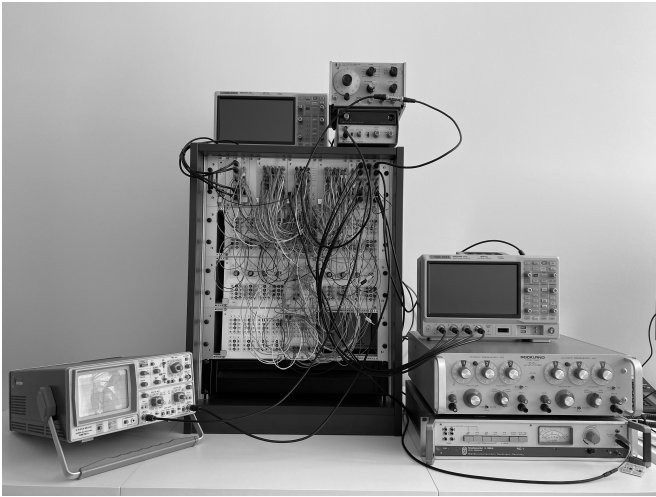


Fig. 3. Setup of the eight oscillator Ising machine

The schematic of the overall setup is shown in figure 4. The outputs of the eight oscillators are fed to a symmetric matrix consisting of 56 coupling coefficients (the diagonal is 0 as coupling an oscillator to itself is not required) denoted by circles. The outputs of this matrix are summed columnwise by summers with seven inputs each (the triangular shapes on the right). Since the summers used here are standard analog computer summers, they perform an implicit sign reversal, so the output of each column summer is fed to another summer whose main purpose is to revert this sign inversion. These summers are also fed with the external SHIL signal. The resulting eight outputs are then connected to the synchronization inputs of the oscillators by means of analog electronic switches controlled by an external signal /SYNC. Using this signal all oscillators can be switched from free running to coupled mode simultaneously.

Not shown are the seven phase detectors used to read out the phase relationships after the oscillators have settled down to a solution. These, too, were built from standard analog computer components. The basic idea is to multiply the output of an oscillator with the output of the reference oscillator (arbitrarily chosen to be the first oscillator in the setup). Since only two phase relationships of 0 and π (in practise deviations of several degrees from these ideal values are observed) are possible due to the external SHIL signal, this product will be (roughly) $\pm \sin(\omega t)^2$. Using an integrator with limiting diodes in its feedback path it can be distinguished between these two results. The outputs of these phase detectors can then be read by the hybrid controller.

III. RESULTS

The behaviour of the system can be seen in figure 5 (only four of the eight oscillators are shown). The little blue triangle in the middle of the screen denotes the trigger event. Before this, the oscillators are free running, while the coupling weights are applied instantaneously at the trigger event. It can be seen that in this case a stable solution is obtained after only seven periods of oscillation.

In setting up a problem on the machine, the non-zero weights of the coupling matrix were all set to the same value. It should be noted that the actual non-zero value has a large influence

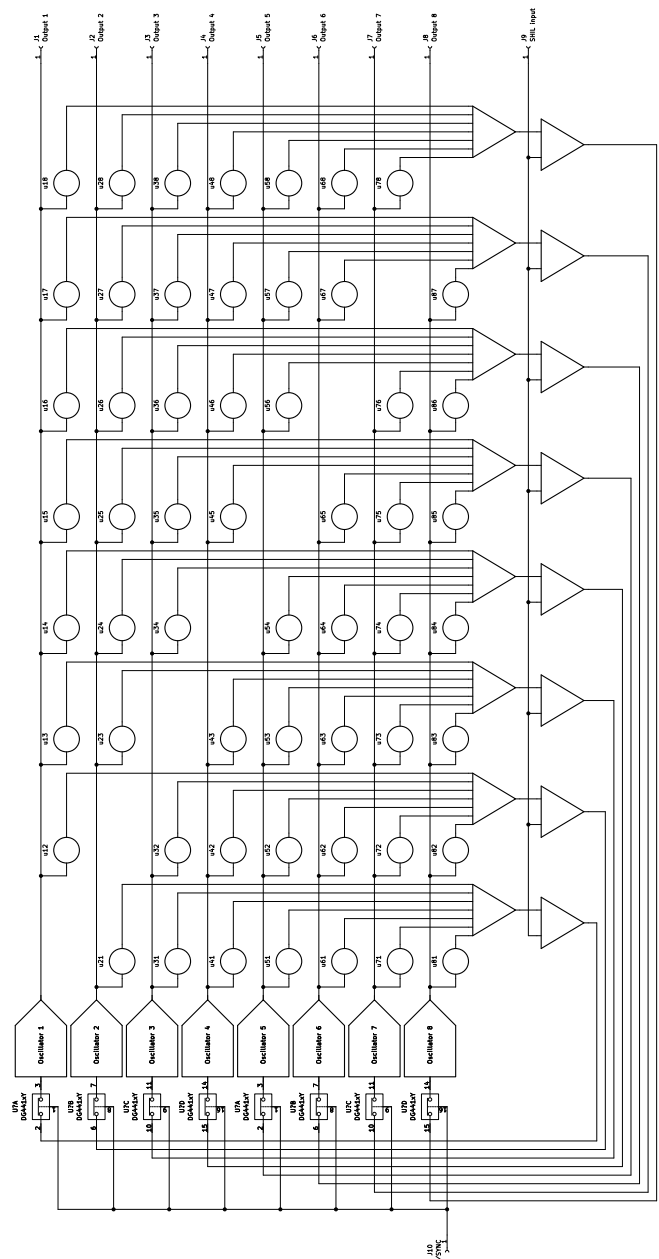


Fig. 4. Schematic of the eight oscillator Ising machine

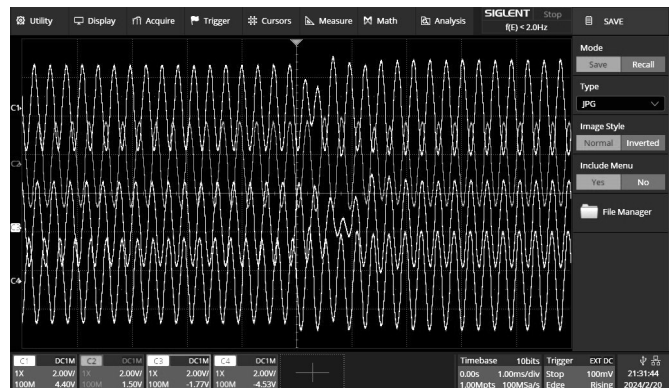


Fig. 5. Typical behaviour of the system

on the performance of the system and the results obtained and varies from problem to problem depending on the underlying graph. Values between 0.1 and 0.3 were sufficient for most of the problems under consideration.

Apart from a few exceptions, the machine yields correct solutions in mostly 100% of runs. In cases where more than one correct solution exists, the solutions obtained were typically not of equal or similar probability – the system seems to prefer some solutions over others. All in all the performance of this simple setup is pretty remarkable and will spur further research and experimentation.

A number of topics has been identified which will be examined more thoroughly in the near future:

- How do different types of oscillators behave in an actual setup (LC oscillators, ring oscillators, etc.)?
- How many bits of resolution are required for the coupling weights depending on various problem classes? For un-weighted max-cut basically one bit would suffice given that there is some global non-zero coupling weight that can be controlled, but what about other tasks?
- Exploring different coupling topologies. As desirable as an all-to-all connectivity is it does not scale well with increasing numbers of oscillators (at least $\approx 10^3$).
- An interesting question is that of the effects of noise on such a system.
- If symmetric connection matrices are sufficient for all or at least the majority of problems, oscillators with combined synchronization input and output would allow to convert the connection matrix to a triangular matrix, thus saving 50% of the digital potentiometers.

REFERENCES

- [BIAN et al. 2024] ZHENBING BIAN, FABIAN CHUDAK, WILLIAM G. MACREADY, GEORDIE ROSE, *The Ising model: teaching an old problem new tricks*, D-Wave systems, https://www.dwavesys.com/media/vbklsvbh/weightedmaxsat_v2.pdf, retrieved 27.09.2024
- [BRIGGS et al. 2013] JOHN S. BRIGGS, ALEXANDER EISFELD, “Quantum dynamics simulation with classical oscillators”, in *Physical Review*, A, 88, 062104, 2013
- [CHOU et al. 2019] CHOU, JEFFREY, BRAMHAVAR, SURAJ, GHOSH, SIDHARTHA, HERZOG, WILLIAM, “Analog Coupled Oscillator Based Weighted Ising Machine”, in *Scientific Reports*, doi:10.1038/s41598-019-49699-5
- [D-Wave] D-Wave, *dimod: A shared API for QUBO/Ising samplers*, <https://github.com/dwavesystems/dimod>, retrieved 27.09.2024
- [EFFENBERGER et al.] FELIX EFFENBERGER, PEDRO CARVALHO, IGOR DUBININ, WOLF SINGER, “The functional role of oscillatory dynamics in neocortical circuits: a computational perspective”, <https://www.biorxiv.org/content/10.1101/2022.11.29.518360v2>
- [ISING 1925] ERNST ISING, “Beitrag zur Theorie des Ferromagnetismus”, in *Zeitschrift für Physik*, Vol. 31, Issue 1., pp. 253–258
- [KOCHENBERGER et al., 2014] GARY KOCHENBERGER, JIN-KAO HAO, FRED GLOVER, MARK LEWIS, ZHIPENG LÜ, HAIBO WANG, YANG WANG, “The unconstrained binary quadratic programming problem: a survey”, in *J Comb Optim*, 2014, 28, pp. 58–81
- [LUCAS 2014] ANDREW LUCAS, “Ising formulations of many NP problems”, in *frontiers in physics*, review article, February 2014, Volume 2, Article 5
- [MOHSENI et al., 2022] NAEIMEH MOHSENI, PETER L. MCMAHON, TIM BYRNES, “Ising machines as hardware solvers of combinatorial optimization problems”, in *nature reviews physics*, 4, 2022, pp. 363–379
- [ORTITZ 2012] ALEJANDRO PERDOMO-ORTITZ, “Finding low-energy conformations of lattice protein models by quantum annealing”, in *scientific reports*, 2, article no. 571, 2012
- [PIKOVSKY et al. 2003] ARKADY PIKOVSKY, MICHAEL ROSENBLUM, JÜRGEN KURTHS, *Synchronization – A universal concept in nonlinear sciences*, Cambridge University Press, 2003

- [TORQUATO 2011] SALVATORE TORQUATO, “Toward an Ising Model of Cancer and Beyond”, in *Phys. Buil.*, Feb. 2011, 8(1)
- [ULMANN/1, 2019] BERND ULMANN, *Model-1.1 User Manual*, <https://analogparadigm.com/downloads/handbook.pdf>, retrieved 27.09.2024
- [ULMANN/2, 2019] BERND ULMANN, *Hybrid Controller User Manual*, https://analogparadigm.com/downloads/hc_handbook.pdf, retrieved 27.09.2024
- [WANG et al. 2019] WANG, TIANSHI, ROYCHOWDHURY, JAJEET, “OIM: Oscillator-based Ising Machines for Solving Combinatorial Optimisation Problems”, arXiv:1903.07163



Bernd Ulmann was born in Neu-Ulm, Germany in 1970. He received his diploma in mathematics from the Johannes Gutenberg-Universität, Mainz, Germany, in 1996. He received his Ph.D. from the Universität Hamburg, Germany, in 2009.

Since 2010 he is professor for business informatics at the FOM University of Applied Sciences, Frankfurt/Main, Germany. His main interests are analog and hybrid computing, the simulation of dynamic systems and operator methods. He is author of several books on analog and hybrid computing.



Shrish Roy was born in 2000 in Thane, Maharashtra, India. He completed his master's degree in Mathematical Physics at the Eberhard Karls University of Tübingen in 2024. Since January 2024, he has been working as a research assistant at anabrid GmbH. His primary research interests include unconventional computing methods, biologically inspired computing, and the mathematics underlying information exchange in logical computation and its physical manifestations.