

MAMBA FUSION: LEARNING ACTIONS THROUGH QUESTIONING

Zhikang Dong^{*1,2} Apoorva Beedu^{*1} Jason Sheinkopf¹ Irfan Essa^{1,3}

¹ Georgia Institute of Technology ² Stony Brook University ³ Google Research
{zdong302, abeedu3, jsheinkopf, irfan}@gatech.edu

ABSTRACT

Video Language Models (VLMs) are crucial for generalizing across diverse tasks and using language cues to enhance learning. While transformer-based architectures have been the de facto in vision-language training, they face challenges like quadratic computational complexity, high GPU memory usage, and difficulty with long-term dependencies. To address these limitations, we introduce **MambaVL**, a novel model that leverages recent advancements in selective state space modality fusion to efficiently capture long-range dependencies and learn joint representations for vision and language data. *MambaVL* utilizes a shared state transition matrix across both modalities, allowing the model to capture information about actions from multiple perspectives within the scene. Furthermore, we propose a question-answering task that helps guide the model toward relevant cues. These questions provide critical information about actions, objects, and environmental context, leading to enhanced performance. As a result, *MambaVL* achieves state-of-the-art performance in action recognition on the Epic-Kitchens-100 dataset and outperforms baseline methods in action anticipation. The code is available here: <https://github.com/Dongzhikang/MambaVL>.

Index Terms—VLMs, Modality Fusion, Selective State Space Models, Action Recognition, Visual Question Answering

1. INTRODUCTION

Learning visual representations using paired vision-language descriptions have proven to be a powerful tool in computer vision. Natural language supervision [22, 30] has not only pushed the state-of-the-art in visual tasks such as classification [23, 22], object detection [18], etc., but also across other domains such as audio [28, 5], wearable sensor applications [11], etc. Current video-language datasets are typically categorized into third-person and egocentric (first-person) videos. While third-person view data has been extensively studied, existing methods struggle to adapt to egocentric videos due to their unique characteristics, such as frequent and rapid camera motion, limited field of view, and occlusions caused by the user’s body and objects. However, recent egocentric datasets like Ego4D [8] and Epic-Kitchens-100 [3] have facilitated deeper exploration into this challenging setting.

Most Visual Language Models (VLMs) rely on descriptions or captions, typically describing the contents of the videos [17]. This results in capabilities like cross-modal retrieval and zero shot recognition across diverse classification tasks [17, 30]. In contrast, we propose to *generate two questions*—one for the verb and one for the noun—each capturing distinct contextual information. This allows the model to better grasp the context of actions in the video, leading to enhanced representation learning as questions encourage deeper reasoning and understanding relative to captions that describe the

video content. The advantage of such a setup are illustrated using the following example: Imagine a video showing the action “drinking water” and you’re playing a guessing game where you must ask questions to help identify the action. To predict the verb and noun, two possible questions could be: (1) “What should you consume to quench your thirst?” and (2) “What should you do to the water to enjoy its refreshing taste?”. The answers to these questions reveal the action as a verb-noun pair within the scene. This approach mirrors how we often guide children toward answers by prompting them with questions, rather than simply providing the solution. Driven by this insight, we explore how a question-driven framework can enhance the task of action recognition in the Epic-Kitchens-100 dataset.

For video-language modeling (including multi-modal learning), Transformer-based approaches are the most popular option. They can be broadly categorized into contrastive [23, 2], fusion-based learning [25], or a combination of both [22]. While they are highly effective, the underlying attention mechanism requires quadratic computational complexity as the number of tokens grows. This limits their efficiency during both training and inference, and reduces their effectiveness in handling long-term sequence learning. More recently however, Mamba, a state-space model-based approach, has emerged as an effective alternative, providing higher efficiency with linear scaling and reduced complexity [9].

Therefore, in this work, we introduce **MambaVL**, a novel selective state space fusion model designed to process multi-modal input while efficiently handling long sequence modeling. The model employs a shared state transition matrix within the selective state space models (SSMs) for both the vision and language branches. This shared structure enables the SSMs to exchange information across modalities, extending the selection mechanism from single-modality models as described in [9]. This approach allows the model to effectively *select* relevant information across both vision and language domains, ensuring effective fusion – which is highly flexible, and capable of integrating with any number or type of input modalities, seamlessly incorporating existing pre-trained models.

Our contributions are: (1) We propose a new question-answering task for recognizing actions in egocentric videos; (2) We propose a novel vision-language fusion approach based on the selective state-space model, which can be straightforwardly adapted to handle inputs from any modality; and (3) We conduct extensive experimental evaluation on the Epic-Kitchens-100 dataset [3], achieving state-of-the-art performance on action recognition and action anticipation.

2. RELATED WORK

Vision-Language Models. VLMs have seen rapid expansion, primarily driven by breakthroughs in image-language pre-training [23, 17, 22, 7]. Primarily, they are based on Transformers [26], either employing dual encoders that project visual and textual representa-

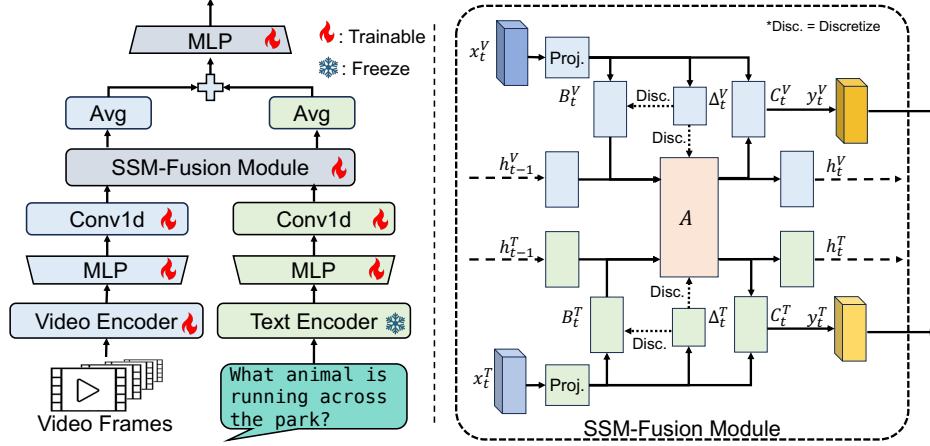


Fig. 1. Overview of the SSM-Fusion module

tions into a shared space to minimize distance [23, 17], or shared encoders that concatenate features and feed them into a Transformer model [2, 1]. Recent works have also explored efficient approaches for learning representations for long-range video by utilizing cached memory [27], through FlashAttention [29], or simplifying architectures by removing non-essential components [24].

State Space Models in Computer Vision. Structured State-Space Sequence model (S4) [10] is an efficient and effective method for modeling long-sequences, with linear scaling that has been applied in vision. [13] utilizes S4 to learn temporal information for video classification. On the other hand, [19] introduces a multidimensional low-pass band-limiting S4 model to learn smooth convolutional kernels for images and videos. Going beyond, [9] enhances S4 with a selectivity mechanism and proposes ‘Mamba’, a promising alternative to Transformer models for capturing long-range dependencies. Originally not conceived for vision applications, recent works have begun to explore its potential in vision as well. For example, [32] learns visual representations through a bidirectional Mamba structure, while [14] leverages Mamba to address challenges related to local redundancy and global dependencies in video understanding.

Mamba for multi-modality fusion. While Mamba [9] can effectively process long-range sequences, it lacks a mechanism like cross-attention to learn representations from different modalities. Recent works have explored solutions to address this limitation. [15] introduces a Mamba-based dual-phase fusion method to integrate complementary information across modalities. Similarly, [4] develops a Fusion-Mamba block, which maps various visual feature fusion blocks into a hidden state space. Different from the existing methods, we build a fusion model by sharing a common matrix – the state transition matrix while keeping the projection matrices modality specific. This helps the model to transfer information between different modalities, while also learning modality specific information.

Video action recognition and anticipation. An important requirement for these tasks is the ability to effectively capture long term temporal information and representation of objects in the video. While [21, 27] implicitly learn the motion path, [12] build on it to incorporate object representations. Other works, such as [7, 17, 29, 30] learn generic long-range video representation by training on large datasets and fine-tune the model for downstream action related tasks. In contrast, we explore using natural language to learn object representations by formulating it as a question-answering task, and use selective state space models to learn joint representations.

3. METHODOLOGY

We present MambaVL in Figure 1, a vision-language fusion model that uses SSM to learn joint representations from modalities.

3.1. Preliminaries

Consider a continuous system (1), which maps a 1-dimensional function or sequence $x(t) \in \mathbb{R} \mapsto y(t) \in \mathbb{R}$.

$$\begin{aligned} h'(t) &= \mathbf{A}h(t) + \mathbf{B}x(t), \\ y(t) &= \mathbf{C}h(t), \end{aligned} \quad (1)$$

where $\mathbf{A} \in \mathbb{R}^{N \times N}$, $\mathbf{B} \in \mathbb{R}^{N \times 1}$, $\mathbf{C} \in \mathbb{R}^{1 \times N}$ are the state transition, input projection and output projection matrices, respectively.

Building on this, [10] proposes the structured state space sequence (S4) model defined in the discrete space, where given a timescale parameter Δ , the continuous matrices \mathbf{A} and \mathbf{B} are transformed into discrete matrices $\bar{\mathbf{A}}$ and $\bar{\mathbf{B}}$. The discretization process is zero-order hold (ZOH), which has the following form:

$$\begin{aligned} \bar{\mathbf{A}} &= \exp(\Delta\mathbf{A}), \\ \bar{\mathbf{B}} &= (\Delta\mathbf{A})^{-1}(\exp(\Delta\mathbf{A}) - \mathbf{I}) \cdot \Delta\mathbf{B}. \end{aligned} \quad (2)$$

Using (2), (1) can be rewritten as:

$$h_t = \bar{\mathbf{A}}h_{t-1} + \bar{\mathbf{B}}x_t, \quad y_t = \mathbf{C}h_t. \quad (3)$$

By performing a global convolution in (3), we have

$$\bar{\mathbf{K}} = \left(\mathbf{C}\bar{\mathbf{B}}, \mathbf{C}\bar{\mathbf{A}}\bar{\mathbf{B}}, \dots, \mathbf{C}\bar{\mathbf{A}}^{k-1}\bar{\mathbf{B}} \right), \quad \mathbf{y} = \mathbf{x} * \bar{\mathbf{K}}, \quad (4)$$

where $\bar{\mathbf{K}} \in \mathbb{R}^k$ is a structured convolutional kernel.

3.2. MambaVL

Figure 1 shows the overall structure of MambaVL. [9] uses the original Mamba block to process the single modality sequence data, where, the timescale parameter Δ_t , \mathbf{B} and \mathbf{C} are directly derived from the input. As \mathbf{A} is not directly dependent on the input, we hypothesize that sharing the state transition matrix \mathbf{A} between different modalities enables the model to learn joint representations.

Given a video clip $\mathbf{V} \in \mathbb{R}^{F \times C \times H \times W}$, with F frames, C channels, and (H, W) frame size, we use a video encoder to extract video

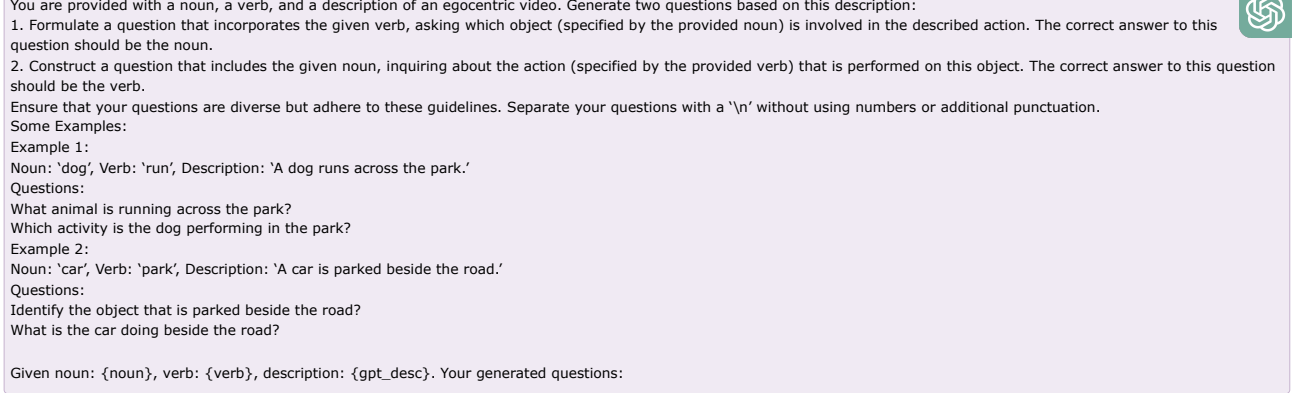


Fig. 2. Prompt provided to ChatGPT to generate questions for the verb and the noun in action.

Algorithm 1 SSM-Fusion Module

Require: $\mathbf{x}^V: (\mathbf{B}, \mathbf{F}, \mathbf{D})$, $\mathbf{x}^T: (\mathbf{B}, \mathbf{L}, \mathbf{D})$
Ensure: $\mathbf{y}^V: (\mathbf{B}, \mathbf{F}, \mathbf{D})$, $\mathbf{y}^T: (\mathbf{B}, \mathbf{L}, \mathbf{D})$

- 1: $\mathbf{A}: (\mathbf{D}, \mathbf{N}) \leftarrow$ Parameter
- 2: $\mathbf{B}^V: (\mathbf{B}, \mathbf{F}, \mathbf{N}) \leftarrow \text{Linear}_{\mathbf{B}}^V(\mathbf{x}^V)$
- 3: $\mathbf{B}^T: (\mathbf{B}, \mathbf{L}, \mathbf{N}) \leftarrow \text{Linear}_{\mathbf{B}}^T(\mathbf{x}^T)$
- 4: $\mathbf{C}^V: (\mathbf{B}, \mathbf{F}, \mathbf{N}) \leftarrow \text{Linear}_{\mathbf{C}}^V(\mathbf{x}^V)$
- 5: $\mathbf{C}^T: (\mathbf{B}, \mathbf{L}, \mathbf{N}) \leftarrow \text{Linear}_{\mathbf{C}}^T(\mathbf{x}^T)$
- 6: $\Delta^V: (\mathbf{B}, \mathbf{F}, \mathbf{D}) \leftarrow \text{Softplus}(\text{Parameter} + \text{Linear}_{\Delta}^V(\mathbf{x}^V))$
- 7: $\Delta^T: (\mathbf{B}, \mathbf{L}, \mathbf{D}) \leftarrow \text{Softplus}(\text{Parameter} + \text{Linear}_{\Delta}^T(\mathbf{x}^T))$
- 8: $\overline{\mathbf{A}}^V, \overline{\mathbf{B}}^V: (\mathbf{B}, \mathbf{F}, \mathbf{D}, \mathbf{N}) \leftarrow \text{Discretize}(\Delta^V, \mathbf{A}, \mathbf{B}^V)$
- 9: $\overline{\mathbf{A}}^T, \overline{\mathbf{B}}^T: (\mathbf{B}, \mathbf{L}, \mathbf{D}, \mathbf{N}) \leftarrow \text{Discretize}(\Delta^T, \mathbf{A}, \mathbf{B}^T)$
- 10: $\mathbf{y}^V: (\mathbf{B}, \mathbf{F}, \mathbf{D}) \leftarrow \text{SSM}(\overline{\mathbf{A}}^V, \overline{\mathbf{B}}^V, \mathbf{C}^V)$
- 11: $\mathbf{y}^T: (\mathbf{B}, \mathbf{L}, \mathbf{D}) \leftarrow \text{SSM}(\overline{\mathbf{A}}^T, \overline{\mathbf{B}}^T, \mathbf{C}^T)$
- 12: **return** \mathbf{y}^V and \mathbf{y}^T

features, denoted as \mathbf{x}^V , and the RoBERTa model [16] to extract embeddings from raw text input (denoted as \mathbf{x}^T). We apply MLP layers to project the video and text embeddings into the same space and use 1-D convolution layers on both the video embeddings and text embeddings, respectively.

$$\begin{aligned} \mathbf{x}^V &= \text{Conv1d}(\text{MLP}(\mathbf{x}^V)), \\ \mathbf{x}^T &= \text{Conv1d}(\text{MLP}(\mathbf{x}^T)), \end{aligned} \quad (5)$$

where $\mathbf{x}^V = \{x_1^V, \dots, x_F^V\}$, $\mathbf{x}^T = \{x_1^T, \dots, x_L^T\}$, and L is the sequence length of the text tokens.

We detail our method in Algorithm 1. We use \mathbf{x}^V and \mathbf{x}^T as input to our SSM-Fusion Module, and initialize a shared state transition matrix \mathbf{A} for two modalities. Then, we utilize linear projection layers to transform \mathbf{x}^V and \mathbf{x}^T into $\mathbf{B}^V, \mathbf{B}^T, \mathbf{C}^V, \mathbf{C}^T, \Delta^V$ and Δ^T respectively. By applying different selective time scale parameters in Eqn. (2), we obtain parameter triplets $(\overline{\mathbf{A}}^V, \overline{\mathbf{B}}^V, \mathbf{C}^V)$ and $(\overline{\mathbf{A}}^T, \overline{\mathbf{B}}^T, \mathbf{C}^T)$. We compute the SSM in Eqn. (3) to get the output \mathbf{y}^V and \mathbf{y}^T . Finally, we perform average pooling at the sequence level and sum the two outputs to get the overall fused representation.

Interpretation of the shared matrix \mathbf{A} . The shared state transition matrix \mathbf{A} serves as a ‘‘cross modality selective’’ mechanism for information exchange between modalities. It aids in discretizing matrix

\mathbf{B} and in computing the output. This enables each modality branch to adjust its recurrent dynamics by integrating the current input, hidden states, and cross-modal information flow. During backpropagation, matrix \mathbf{A} is updated using gradient from all modalities, allowing it to comprehensively capture information across the modalities. Generally, this mechanism can be extended to any combination of modalities.

4. EXPERIMENTS

4.1. Experimental Setup

Datasets and Metrics: We evaluate our approach on the Epic-Kitchens-100 (EK100) dataset on two tasks: *Action recognition and Action Anticipation*. **EK100** [3] is an egocentric video dataset capturing daily activities around the kitchen. Action anticipation and classification task requires each video classifying/predicting one of the 97 verbs and 300 nouns. The highest scoring verb and noun pair predicted by the network constitute the action, and top-1 accuracy is reported for action recognition whereas Recall@5 is reported for action anticipation.

Implementation Details: We set the input frame length to 16 frames for all our experiments, and follow the same data processing pipelines as the specific backbones used. Training is performed for 100 epochs, where we employ cosine annealing with a warmup for 2 epochs, with a base learning rate of $1e^{-6}$, which linearly increases to a peak of $1e^{-3}$, and then gradually decreases to $1e^{-5}$ following a half-wave cosine schedule.. The Mamba block has a higher peak learning rate, set to $3e^{-3}$. We use a batch size of 128, distributed over 8 Nvidia A40 GPUs. For action anticipation, we set the anticipation time τ_a as 1 second, and use 16-frame long clips at a resolution of 224×224 , uniformly sampled from an observed video of 64 frames ($\sim 2s$ in total). For action anticipation, we use the same configuration as ORViT¹ to train the baseline model. We use AVION [30] to recognize actions in the observed frames and use it to generate questions for the action anticipation task. We will release the code upon acceptance.

Question Generation: We introduce a new annotation framework consisting of question-answer pairs for actions in the EK100 dataset. This process is divided into two stages: first, we enrich the action

¹For dataloader and metrics, we follow InAViT

descriptions. The existing narrations in the EK100 dataset are relatively simple, limiting the diversity of the questions. To address this, we utilize GPT-4o [20] to rephrase the original narrations, generating detailed action descriptions from the egocentric videos. In the second stage, using the verb, noun, and action description for each sample, we prompt GPT-4o to generate two distinct questions for each action: one targeting the verb and the other the noun, as illustrated in Figure 2. To prevent data leakage during training, where verbs and nouns are predicted simultaneously, we mask the verb in the noun-related question with a <MASK> token if it appears, and vice versa for the noun in verb-related questions. In our final dataset, each sample comprises two questions and their corresponding answers.

4.2. Results and Analysis

Action Recognition: In Table 1, we compare MambaVL against state-of-the-art methods for action recognition, across pre-training datasets. Further, we employ three visual encoder backbones – ORViT, ViT-B, and ViT-L, in order to evaluate the effect of encoder sizes. Consistently, MambaVL outperforms *all baseline methods* for actions, verb and noun classification. MambaVL also outperforms LaViLa [30], another vision-language method, indicating the effectiveness of mamba-based fusion of modalities. MambaVL outperforms LaViLa by > 3% for both the base and the large version, and 3% improvement over ORViT. As reported in Table 4, our mamba based fusion block adds negligible number of FLOPs and trainable parameters for a large improvement in accuracy.

Action Anticipation: We also evaluate MambaVL for action anticipation, against baselines like AVT [6], AFFT [31], MeMViT [27] and ORViT [12]. ORViT [12] for action anticipation was trained using their public code and configuration same as our method. We do not compare against other LLM based methods as our model does not train or finetune an LLM, but uses GPT-4 to generate questions. While we outperform ORViT’s baseline results, our performance is somewhat constrained by AVION, as we rely on the detected actions to generate relevant questions. This introduces potential errors into our prediction pipeline, which can be mitigated when a more accurate action recognition model is used.

Impact of the Fusion Module In Table 3, we compare the performance of Mamba-based fusion (i.e., MambaVL) against fusion using: (i) 2-layer MLP, where the text embeddings and visual features from ORViT are concatenated and passed through the MLP; (ii) a Transformer containing six layers and four heads; and (iii) a Transformer with 12 layers and 12 heads. We see that our Mamba-based fusion outperforms other methods by a significant margins – by approx. 7-10% – indicating that MambaVL is capable in encoding long range information while also learning joint representations.

5. CONCLUSION

In this paper, we introduced MambaVL, a novel approach for fusing visual and language features. Our key innovation is the use of a learnable shared state transition matrix within the SSM block for each modality. This approach, along with the selection mechanism, enables each modality to learn from its own input while also considering information from other modalities during training. This lightweight fusion method is not only flexible enough to accommodate any number of input modalities, but it is also compatible with a wide range of pretrained feature extraction models. Our findings demonstrate the effectiveness of MambaVL in cross-modal fusion, and we believe it opens new opportunities for further research into Mamba’s application in cross-modal tasks.

Table 1. Comparison of the state-of-the-art for action recognition on EK100. We report Top-1 % for verb, noun and action classification.

Model(Backbone)	Pretrain data	Verb	Noun	Action
MeMViT (24x3)	K600	71.4	60.3	48.4
Omnivore (swin-B)	IN-(21k+1k)+K400+SUN	69.5	61.7	49.9
MeMViT (16x4)	K400	70.6	58.5	46.2
ORViT (MF-HR)	IN-21k+K400	68.4	58.7	45.7
MambaVL (ORViT)	IN-21k+K400	69.1	63.9	48.6
AVION (ViT-B)	WIT + Ego4D	70.0	59.8	49.1
LaViLa (TSF-B)	WIT + Ego4D	69.0	58.4	46.9
MambaVL (ViT-B)	WIT + Ego4D	70.9	61.1	49.1
AVION (ViT-L)	WIT + Ego4D	73.0	65.4	54.4
LaViLa (TSF-L)	WIT + Ego4D	72.0	62.9	51.0
MambaVL (ViT-L)	WIT + Ego4D	74.3	67.1	55.0

Table 2. Comparison of the state-of-the-art for action anticipation on EK100. We report Top-1 % for verb, noun and action prediction.

Method	Pretrain data	Overall		
		Verb	Noun	Action
AVT+ [6]	IN21K + EPIC boxes	28.2	32.0	15.9
MeMViT (32x3) [27]	K700	<u>32.2</u>	37.0	17.7
MeMViT (16x4) [27]	K400	32.8	33.2	15.1
AFFT [31]	IN-21K	22.8	34.6	18.5
ORViT-MF [12]	IN-21k+K400	26.9	34.2	<u>23.3</u>
MambaVL (ORViT)	IN-21k+K400	29.1	<u>35.1</u>	23.9

Table 3. Comparison between different fusion methods.

Fusion Method	Overall		
	Verb	Noun	Action
MLP	62.8	51.6	39.6
Transformer (6x4)	62.9	51.9	40.0
Transformer (12x12)	62.5	51.8	39.5
MambaVL	69.1	63.9	48.6

Table 4. Model comparison by GFLOPS and parameter count.

Model	GFLOPS	Params
ORViT	405	148M
ORViT + Transformer Fusion	413.5	242M
MambaVL	413	157M

6. REFERENCES

- [1] Huda Alamri, Anthony Bilic, Michael Hu, Apoorva Beedu, and Irfan Essa. End-to-end multimodal representation learning for video dialog. *arXiv preprint arXiv:2210.14512*, 2022.
- [2] Apoorva Beedu, Karan Samel, and Irfan Essa. On the efficacy of text-based input modalities for action anticipation. *arXiv preprint arXiv:2401.12972*, 2024.
- [3] Dima Damen, Hazel Doughty, Giovanni Maria Farinella, Antonino Furnari, Evangelos Kazakos, Jian Ma, Davide Moltisanti, Jonathan Munro, Toby Perrett, Will Price, et al. Rescaling egocentric vision: Collection, pipeline and challenges for epic-kitchens-100. *International Journal of Computer Vision*, pages 1–23, 2022.
- [4] Wenhao Dong, Haodong Zhu, Shaohui Lin, Xiaoyan Luo, Yunhang Shen, Xuhui Liu, Juan Zhang, Guodong Guo, and Baochang Zhang. Fusion-mamba for cross-modality object detection. *arXiv preprint arXiv:2404.09146*, 2024.
- [5] Zhikang Dong, Xiulong Liu, Bin Chen, Pawel Polak, and Peng Zhang. Musechat: A conversational music recommendation

- system for videos. In *Proceedings of the IEEE/CVF Conference on Computer Vision and Pattern Recognition*, pages 12775–12785, 2024.
- [6] Rohit Girdhar and Kristen Grauman. Anticipative video transformer. In *Proceedings of the IEEE/CVF international conference on computer vision*, pages 13505–13515, 2021.
 - [7] Rohit Girdhar, Mannat Singh, Nikhila Ravi, Laurens Van Der Maaten, Armand Joulin, and Ishan Misra. Omnivore: A single model for many visual modalities. In *Proceedings of the IEEE/CVF conference on computer vision and pattern recognition*, pages 16102–16112, 2022.
 - [8] Kristen Grauman, Andrew Westbury, Eugene Byrne, Zachary Chavis, Antonino Furnari, Rohit Girdhar, Jackson Hamburger, Hao Jiang, Miao Liu, Xingyu Liu, et al. Ego4d: Around the world in 3,000 hours of egocentric video. In *Proceedings of the IEEE/CVF Conference on Computer Vision and Pattern Recognition*, pages 18995–19012, 2022.
 - [9] Albert Gu and Tri Dao. Mamba: Linear-time sequence modeling with selective state spaces. *arXiv preprint arXiv:2312.00752*, 2023.
 - [10] Albert Gu, Karan Goel, and Christopher Ré. Efficiently modeling long sequences with structured state spaces. *arXiv preprint arXiv:2111.00396*, 2021.
 - [11] Harish Haresamudram, Apoorva Beedu, Mashfiqui Rabbi, Sankalita Saha, Irfan Essa, and Thomas Ploetz. Limitations in employing natural language supervision for sensor-based human activity recognition—and ways to overcome them. *arXiv preprint arXiv:2408.12023*, 2024.
 - [12] Roei Herzig, Elad Ben-Avraham, Karttikeya Mangalam, Amir Bar, Gal Chechik, Anna Rohrbach, Trevor Darrell, and Amir Globerson. Object-region video transformers. In *Proceedings of the IEEE/CVF conference on computer vision and pattern recognition*, pages 3148–3159, 2022.
 - [13] Md Mohaiminul Islam and Gedas Bertasius. Long movie clip classification with state-space video models. In *European Conference on Computer Vision*, pages 87–104. Springer, 2022.
 - [14] Kunchang Li, Xinhao Li, Yi Wang, Yinan He, Yali Wang, Limin Wang, and Yu Qiao. Videomamba: State space model for efficient video understanding. *arXiv preprint arXiv:2403.06977*, 2024.
 - [15] Zhe Li, Haiwei Pan, Kejia Zhang, Yuhua Wang, and Fengming Yu. Mambadfuse: A mamba-based dual-phase model for multi-modality image fusion. *arXiv preprint arXiv:2404.08406*, 2024.
 - [16] Yinhan Liu. Roberta: A robustly optimized bert pretraining approach. *arXiv preprint arXiv:1907.11692*, 2019.
 - [17] Yiwei Ma, Guohai Xu, Xiaoshuai Sun, Ming Yan, Ji Zhang, and Rongrong Ji. X-clip: End-to-end multi-grained contrastive learning for video-text retrieval. In *Proceedings of the 30th ACM International Conference on Multimedia*, pages 638–647, 2022.
 - [18] Matthias Minderer, Alexey Gritsenko, Austin Stone, Maxim Neumann, Dirk Weissenborn, Alexey Dosovitskiy, Aravindh Mahendran, Anurag Arnab, Mostafa Dehghani, Zhuoran Shen, et al. Simple open-vocabulary object detection. In *European Conference on Computer Vision*, pages 728–755. Springer, 2022.
 - [19] Eric Nguyen, Karan Goel, Albert Gu, Gordon Downs, Preey Shah, Tri Dao, Stephen Baccus, and Christopher Ré. S4nd: Modeling images and videos as multidimensional signals with state spaces. *Advances in neural information processing systems*, 35:2846–2861, 2022.
 - [20] OpenAI. Gpt-4o, August 2024. Accessed: 2024-08-29.
 - [21] Mandela Patrick, Dylan Campbell, Yuki Asano, Ishan Misra, Florian Metze, Christoph Feichtenhofer, Andrea Vedaldi, and Joao F Henriques. Keeping your eye on the ball: Trajectory attention in video transformers. *Advances in neural information processing systems*, 34:12493–12506, 2021.
 - [22] Shraman Pramanick, Yale Song, Sayan Nag, Kevin Qinghong Lin, Hardik Shah, Mike Zheng Shou, Rama Chellappa, and Pengchuan Zhang. Ego4d-v2: Egocentric video-language pre-training with fusion in the backbone. In *Proceedings of the IEEE/CVF International Conference on Computer Vision*, pages 5285–5297, 2023.
 - [23] Alec Radford, Jong Wook Kim, Chris Hallacy, Aditya Ramesh, Gabriel Goh, Sandhini Agarwal, Girish Sastry, Amanda Askell, Pamela Mishkin, Jack Clark, et al. Learning transferable visual models from natural language supervision. In *International conference on machine learning*, pages 8748–8763. PMLR, 2021.
 - [24] Chaitanya Ryali, Yuan-Ting Hu, Daniel Bolya, Chen Wei, Haoqi Fan, Po-Yao Huang, Vaibhav Aggarwal, Arkabandhu Chowdhury, Omid Poursaeed, Judy Hoffman, et al. Hiera: A hierarchical vision transformer without the bells-and-whistles. In *International Conference on Machine Learning*, pages 29441–29454. PMLR, 2023.
 - [25] Zineng Tang, Jaemin Cho, Jie Lei, and Mohit Bansal. Perceiver-vl: Efficient vision-and-language modeling with iterative latent attention. In *Proceedings of the IEEE/CVF Winter Conference on Applications of Computer Vision*, pages 4410–4420, 2023.
 - [26] A Vaswani. Attention is all you need. *Advances in Neural Information Processing Systems*, 2017.
 - [27] Chao-Yuan Wu, Yanghao Li, Karttikeya Mangalam, Haoqi Fan, Bo Xiong, Jitendra Malik, and Christoph Feichtenhofer. Memvit: Memory-augmented multiscale vision transformer for efficient long-term video recognition. In *Proceedings of the IEEE/CVF Conference on Computer Vision and Pattern Recognition*, pages 13587–13597, 2022.
 - [28] Ho-Hsiang Wu, Prem Seetharaman, Kundan Kumar, and Juan Pablo Bello. Wav2clip: Learning robust audio representations from clip. In *ICASSP 2022-2022 IEEE International Conference on Acoustics, Speech and Signal Processing (ICASSP)*, pages 4563–4567. IEEE, 2022.
 - [29] Yue Zhao and Philipp Krähenbühl. Training a large video model on a single machine in a day. *arXiv preprint arXiv:2309.16669*, 2023.
 - [30] Yue Zhao, Ishan Misra, Philipp Krähenbühl, and Rohit Girdhar. Learning video representations from large language models. In *Proceedings of the IEEE/CVF Conference on Computer Vision and Pattern Recognition*, pages 6586–6597, 2023.
 - [31] Zeyun Zhong, David Schneider, Michael Voit, Rainer Stiefelhagen, and Jürgen Beyerer. Anticipative feature fusion transformer for multi-modal action anticipation. In *Proceedings of the IEEE/CVF Winter Conference on Applications of Computer Vision*, pages 6068–6077, 2023.
 - [32] Lianghui Zhu, Bencheng Liao, Qian Zhang, Xinlong Wang, Wenyu Liu, and Xinggang Wang. Vision mamba: Efficient visual representation learning with bidirectional state space model. *arXiv preprint arXiv:2401.09417*, 2024.