

RAL: Redundancy-Aware Lipreading Model Based on Differential Learning with Symmetric Views

1st Zejun Gu

Hefei University of Technology
Hefei, China
guzejunmail@gmail.com

2nd Junxia Jiang

Hefei University of Technology
Hefei, China
2021111089@mail.hfut.edu.cn

Abstract—Lip reading involves interpreting a speaker’s speech by analyzing sequences of lip movements. Currently, most models regard the left and right halves of the lips as a symmetrical whole, lacking a thorough investigation of their differences. However, the left and right halves of the lips are not always symmetrical, and the subtle differences between them contain rich semantic information. In this paper, we propose a differential learning strategy with symmetric views (DLSV) to address this issue. Additionally, input images often contain a lot of redundant information unrelated to recognition results, which can degrade the model’s performance. We present a redundancy-aware operation (RAO) to reduce it. Finally, to leverage the relational information between symmetric views and within each view, we further design an adaptive cross-view interaction module (ACVI). Experiments on LRW and LRW-1000 datasets fully demonstrate the effectiveness of our approach.

Index Terms—Lipreading, Redundancy-Aware Operation, Differential Learning Strategy, Symmetric Views

I. INTRODUCTION

Lip reading aims to predict spoken content solely by analyzing videos of speaking faces. Lip reading has a broad array of applications, including generating lip patterns for security authentication [1], improving the reliability of human-computer interactions [2], creating highly realistic talking avatars [3], and aiding communication for individuals with hearing impairments [4].

Currently, many lip reading studies focus on utilizing spatial information [5], [6], such as Temporal Convolutional Networks [5], whole-part collaborative learning [6]. However, these methods lack attention to the symmetrical left and right half-lip views. In real-world scenarios, the left and right half-lips in a video sequence are not always the same, as shown in Figure 1. For example, when a person experiences emotional fluctuations, the left and right half-lips may exhibit different changes. These differences, as a form of micro-expression, carry rich semantic information. Additionally, in continuous speech videos, these differences typically occur during word transitions, which contain important inter-frame associative information.

Furthermore, most current models ignore the redundant information present in the input frames, which is often background information unrelated to the lips. This not only fails to aid lip reading but also consumes computational resources. It significantly affects the model’s learning performance.

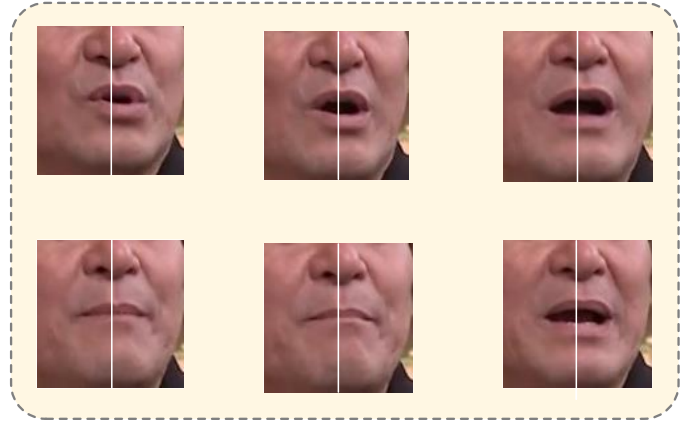


Fig. 1. Comparison between left and right half-lip views in lip-reading video frames. In many lip-reading images, there are significant differences between the left and right half-lip views.

To address the first challenge, we propose a differential learning strategy with symmetric views (DLSV). Specifically, we first divide the image features into left-view and right-view features. Then, the left and right view features are separately fed into the DRSBlock, which has shared weights, to learn their identical information. Finally, an adaptive cross-view interaction module (ACVI) is used to effectively capture the relationships between different areas of the lips and extract their differential information. Through repeated feature extraction, not only are the identical features of the left and right views enhanced, but their differences are also fully learned.

To address the second challenge, we present a redundancy-aware operation (RAO). Inspired by DRSN [7], we employ a sub-network that integrates an attention mechanism and soft threshold function to construct the redundancy-aware operation. The attention mechanism can determine the threshold vector of the threshold function based on the degree of redundancy in the feature content. By using the soft threshold function, the redundant information can be filtered more effectively. In lip-reading recognition, the positional relationships between different parts of the lips are crucial. We design an adaptive cross-view interaction module to make full use of the relational information of each part, thereby enabling further learning of differential information.

The contributions of our work are:

- We propose a novel lip-reading model, RAL, which is

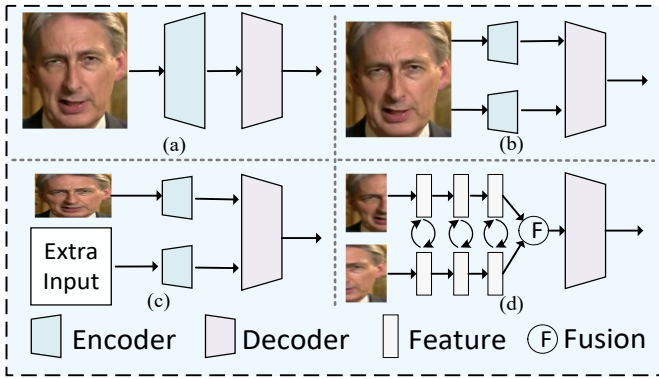


Fig. 2. Comparison of Different Lip Reading Model Architectures. (a) TCN. (b) WPCL. (c) UDP. (d) our RAL model.

the first work to focus on the identical and different information of the symmetrical left and right halves of the lips.

- We introduce a redundancy-aware operation that dynamically adjusts the threshold vector based on the input content to filter out redundant information.
- We design an adaptive cross-view interaction module to learn both visual clues and constraint relations in symmetric views.
- We show the effectiveness of the proposed model by applying it to various language datasets. Considerable improvements are observed in these datasets.

II. RELATED WORK

With advancements in deep learning and speech processing technologies, lip reading has achieved significant progress. Such progress could be made with improved neural network architecture [8], large-scale audio-visual datasets [9], enhanced multi-modal learning strategies [10], and carefully crafted training methods [11].

[12] introduces an architecture combining ResNet [13] and RNN [14] to enhance word-level lip reading performance. Some approaches tend to fully utilize temporal information, such as optical flow [11], dynamic flow [15], and time-shift modules [16]. [11] proposes to incorporate optical flow information alongside RGB information, using a two-stream network to encode them. [15] replaces the RNN-based backend architecture with temporal convolutions, significantly improving word-level lip reading performance. In addition to word-level lip reading, [16] presents an end-to-end sentence-level lip reading model that leverages Connectionist Temporal Classification (CTC) [17]. [18] addresses the issue of speaker dependency and proposes speaker-adaptive lip reading models. [19] utilizes knowledge distillation to transfer knowledge from a superior model to a student model. [20] designs using memory networks to incorporate auditory knowledge into lip reading models without requiring audio inputs. Furthermore, some self-supervised training methods for pre-training neural networks have demonstrated outstanding performance in lip reading [21], [22].

III. METHOD

A. Overview

The overall structure of our redundancy-aware lipreading (RAL) model is depicted in Figure 3. It consists of a backbone (3DCNN) [23], a feature encoder, several adaptive cross-view interaction (ACVI) modules, and a temporal decoder based on MSTCN [24] for temporal modeling.

B. Differential learning strategy with symmetric views

As shown in Figure 2, previous works have tried to introduce multi-branch approaches to fully leverage the spatial information in lip-reading images. such as TCN [5], WPCL [6], etc. However, they do not fully focus on the identical and differential information in the left-right half-lip, which contains rich semantic information. Hence, we propose a differential learning strategy with symmetric views (DLSV) to solve this problem (shown in Figure 3).

Specifically, we first use a 3DCNN to extract the initial features, and then segment the lip features into left and right half-lip features. A shared encoder with shared weights is employed to extract the common features of the left and right half-lips, and an adaptive cross-view interaction module is used to further capture the relationships between them. The ACVI module further enhances the unique feature of the left and right half-lips. Through multiple iterations of segmentation, extraction, and interaction, the differential information is fully learned. As shown in Figure 3(a), the shared encoder consists of several DRSBlocks. Each DRSBlock is composed of a residual block and a modified residual block based on redundancy-aware operations.

C. Redundancy-aware operation

To remove redundant information unrelated to lip-reading recognition, we design a redundancy-aware operation. Inspired by DRSN [7], the redundancy-aware operation is implemented through a sub-network that utilizes an attention mechanism and a soft threshold function. The attention mechanism is designed to adaptively generate the threshold vector of the soft threshold function based on the image content. The detailed design of RAO is illustrated in Figure 3(c).

Firstly, the feature map $X \in \mathbb{R}^{C \times H \times W}$ is converted into a one-dimensional vector using an absolute value operation (Abs) followed by a global average pooling layer (GAP), and is then processed through a two-layer fully connected (FC) network.

$$F = FC(GAP(Abs(X))), \quad (1)$$

where $F \in \mathbb{R}^{C \times 1 \times 1}$ represents the feature extracted from the two-layer fully connected (FC) network. To ensure the outputs of the FC network are within an appropriate range, they are scaled using a sigmoid function [25].

$$\sigma = \frac{1}{1 + e^{-F}}, \quad (2)$$

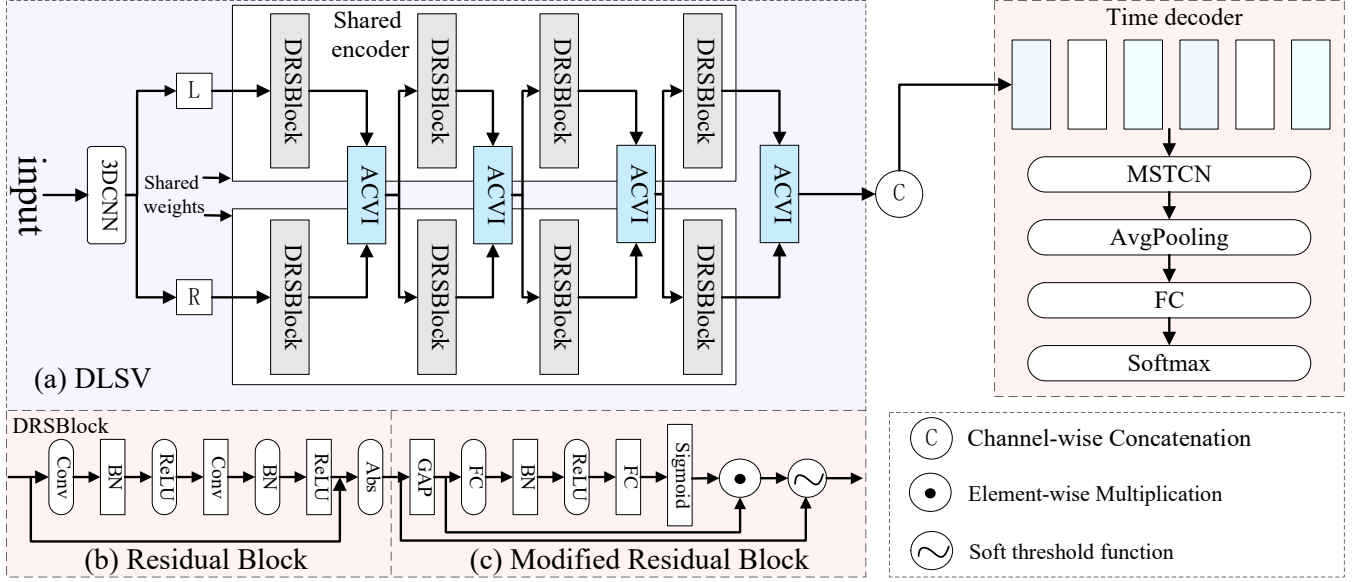


Fig. 3. Schematic illustration of the proposed RAL model.

where σ denotes the scaling parameters. Subsequently, the threshold is calculated as follows:

$$\tau = \sigma \odot \text{GAP}(\text{Abs}(X)), \quad (3)$$

where $\tau \in \mathbb{R}^{C \times 1 \times 1}$ refers the threshold, and \odot refers an element-wise multiplication operation. It is worth noting that the threshold we obtain is not a single value but rather a vector. The operation ensures that the threshold remains positive and within a reasonable range, preventing them from becoming excessively large and resulting in all-zero feature outputs.

Finally, the original feature map X is combined with the threshold from the attention mechanism to perform the soft threshold operation.

D. Adaptive cross-view interaction module

In lip-reading recognition, the relational information of various parts of the lips is very important. For example, the positional relationships of different parts, and the similarities and differences in symmetrical positions. We propose an adaptive cross-view interaction module to fully utilize the relational information between symmetric views and within each view.

The structure of the proposed ACVI is shown in Figure 4. It uses scaled dot-product attention to compute the dot products of the query with all keys and applies a softmax function to obtain the weights for the values.:

$$\text{Attention}(Q, K, V) = \text{softmax}\left(\frac{QK^T}{\sqrt{C}}\right)V, \quad (4)$$

where $Q \in \mathbb{R}^{H \times W \times C}$ is the query matrix projected from the left-view feature (or right-view feature), and $K, V \in \mathbb{R}^{H \times W \times C}$ are key, value matrices projected by the other view (right-view or left-view). In detail, given the input features $X_L, X_R \in \mathbb{R}^{H \times W \times C}$, we get layer normalized features $\tilde{X}_L = \text{LN}(X_L)$ and $\tilde{X}_R = \text{LN}(X_R)$. Then, we calculate

bidirectional cross attention between left and right views, to facilitate the interaction between them, by:

$$M_{R \rightarrow L} = \text{Attention}\left(W_1^L \tilde{X}_L, W_1^R \tilde{X}_R, W_2^R X_R\right), \quad (5)$$

$$M_{L \rightarrow R} = \text{Attention}\left(W_1^R \tilde{X}_R, W_1^L \tilde{X}_L, W_2^L X_L\right), \quad (6)$$

where W_1^L, W_1^R, W_2^L and W_2^R are corresponding projection matrices. Finally, the interaction information feature $M_{R \rightarrow L}, M_{L \rightarrow R}$ and intra-view shared information X_L, X_R are fused by element-wise addition:

$$M_L = \alpha_L M_{R \rightarrow L} + X_L, \quad (7)$$

$$M_R = \alpha_R M_{L \rightarrow R} + X_R, \quad (8)$$

where M_L and M_R are output features from the left view and the right view, α_L and α_R are trainable scale factors.

IV. EXPERIMENTS

A. Experimental Settings

1) *Datasets*: The LRW dataset [26] consists of 500 English word classes, each containing 1,000 samples. It includes some similar words, such as those with singular and plural forms or tense variations. The LRW-1000 dataset [27] includes more than 1,000 Chinese word classes, each consisting of one or more Chinese words, totaling over 70,000 samples.

2) *Preprocessing*: For both the LRW and LRW-1000 datasets, each sample is cropped to a fixed Region of Interest (RoI) of 96×96 pixels. All images are converted to grayscale to reduce computational complexity. During training, each frame is randomly cropped to 88×88 pixels.

3) *Implementations*: All models are implemented on Pytorch and trained on two NVIDIA RTX 2080ti GPUs with 11GB memory. We use a cosine scheduler and Adam optimizer. The initial learning rate is $3e-4$ and the weight decay is $1e-4$. In addition, to enhance the robustness of the temporal model, we use the variable length enhancement strategy [5].

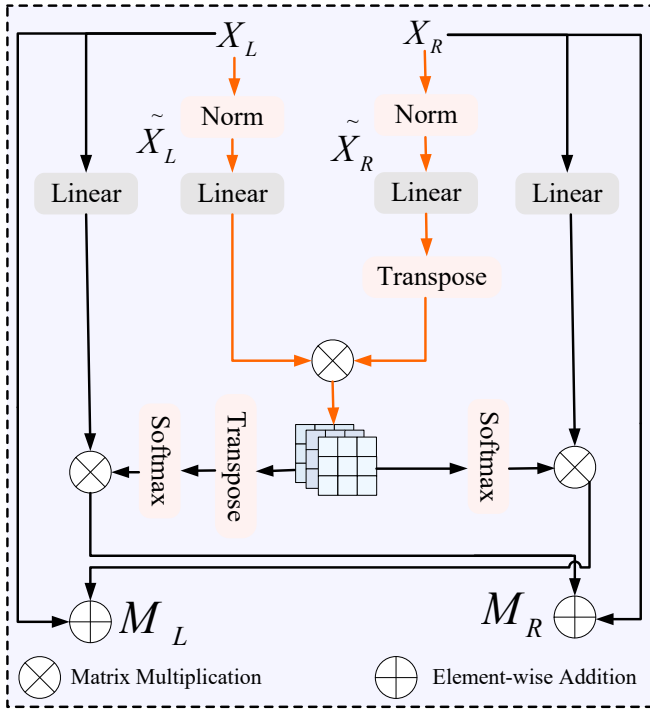


Fig. 4. The structure of our proposed ACVI module.

TABLE I
COMPARISON WITH OTHER RELATED WORKS ON LRW DATASET. THE PROPOSED MODEL ACHIEVES COMPETITIVE PERFORMANCE TO OTHER METHODS.

Method	ACC(%)
Multi-Grained [28]	83.3
BiGRU+GRU [29]	83.5
Deformation Flow [30]	84.1
BiGRU+Cutout [31]	85.0
TSM [32]	86.2
HPNet+Self-Attention [33]	86.8
LiRA [34]	88.1
DC-TCN [35]	88.4
MSTCN-Ensemble [36]	88.5
MVFN [37]	87.4
UDP [24]	87.9
WPCL [6]	88.3
UDP+SI [24]	88.5
MS-TCN (baseline) [5]	85.3
Ours	89.3+4.0

B. Experimental Results

1) *Comparison with other related works:* To study the performance of the proposed RAL model, we compare it with other lip-reading models. The experimental results on the LRW dataset are shown in Table I. As shown, the proposed model brings significant improvement (4.0%) to the baseline method. Results presented in Table I demonstrate that our method shows consistent performance superiority over related works, which provides strong evidence of the effectiveness of our method. We conduct comparisons on LRE-1000 dataset and

TABLE II
COMPARISON WITH OTHER RELATED WORKS ON LRW-1000 DATASET. THE PROPOSED MODEL ACHIEVES SIGNIFICANT PERFORMANCE TO OTHER METHODS.

Method	ACC(%)
Multi-Grained [28]	36.9
BiGRU+GRU [29]	38.7
Deformation Flow [30]	41.9
TSM [32]	44.6
DC-TCN [35]	43.7
MS-TCN (baseline) [5]	41.4
Ours	46.5+5.1

TABLE III
ABLATION STUDY FOR EACH PROPOSED COMPONENT ON THE LRW DATASET.

Method	DLSV	RAO	ACVI	ACC(%)
Baseline	-	-	-	85.3
Ours	✓	-	-	86.8+1.5
Ours	✓	✓	-	87.8+2.5
Ours	-	-	✓	88.3+3.0
Ours	✓	✓	✓	89.3+4.0

present the results in Table II. Our proposed RAL model surpasses the TSM and DC-TCN by 1.9% and 2.8%, respectively. It achieves the best performance on both the LRW dataset and the LRW-1000 dataset.

2) *Ablation Study:* In this subsection, we conduct several ablation experiments to show how each proposed component helps the model improve its performance. As shown in Table III, all the proposed components benefit the lip-reading model. DLSV and ACVI each bring an improvement of 1.5% and 3.0%, respectively. The differential learning strategy combined with the redundancy-aware operation can improve the contribution of the two by 2.5%. This proves that the differential learning and the redundancy-aware operation have mutually reinforcing effects within the model. The combination of all proposed components brings the best performance, which significantly improves the performance by 4.0% compared to the baseline model.

V. CONCLUSION

This paper proposes a lip reading model (RAL) that learns differential information from the symmetrical left and right half-lip views. We introduce a differential learning strategy with symmetric views to better capture the identical and different information of the left and right half-lips. Given that lip reading images contain a large amount of redundant information, we propose the redundancy-aware operation to reduce redundant information. To fully learn the relationship between symmetrical views, we design an adaptive cross-view interaction module. Experimental results fully validate the effectiveness of the proposed lip reading model.

REFERENCES

- [1] Z. Akhtar, C. Micheloni, and G. L. Foresti, "Biometric liveness detection: Challenges and research opportunities," *IEEE Security & Privacy*, vol. 13, no. 5, pp. 63–72, 2015.
- [2] A. Rezik, A. Ben-Hamadou, and W. Mahdi, "Human machine interaction via visual speech spotting," in *Advanced Concepts for Intelligent Vision Systems*, S. Battiato, J. Blanc-Talon, G. Gallo, W. Philips, D. Popescu, and P. Scheunders, Eds. Cham: Springer International Publishing, 2015, pp. 566–574.
- [3] S. Suwajanakorn, S. M. Seitz, and I. Kemelmacher-Shlizerman, "Synthesizing obama: Learning lip sync from audio," *ACM Trans. Graph.*, vol. 36, no. 4, jul 2017. [Online]. Available: <https://doi.org/10.1145/3072959.3073640>
- [4] P. Duchnowski, U. Meier, and A. Waibel, "See me, hear me: integrating automatic speech recognition and lip-reading," in *ICSLP*, vol. 94. Citeseer, 1994, pp. 547–550.
- [5] B. Martinez, P. Ma, S. Petridis *et al.*, "Lipreading using temporal convolutional networks," in *IEEE International Conference on Acoustics, Speech and Signal Processing (ICASSP)*, 2020, pp. 6319–6323.
- [6] W. Tian, H. Zhang, C. Peng, and Z.-Q. Zhao, "Lipreading model based on whole-part collaborative learning," in *ICASSP 2022-2022 IEEE International Conference on Acoustics, Speech and Signal Processing (ICASSP)*. IEEE, 2022, pp. 2425–2429.
- [7] M. Zhao, S. Zhong, X. Fu *et al.*, "Deep residual shrinkage networks for fault diagnosis," *IEEE Transactions on Industrial Informatics*, vol. 16, no. 7, pp. 4681–4690, 2019.
- [8] S. Petridis, T. Stafylakis, P. Ma, F. Cai, G. Tzimiropoulos, and M. Pantic, "End-to-end audiovisual speech recognition," in *2018 IEEE international conference on acoustics, speech and signal processing (ICASSP)*. IEEE, 2018, pp. 6548–6552.
- [9] Y. Zhao, R. Xu, and M. Song, "A cascade sequence-to-sequence model for chinese mandarin lip reading," in *Proceedings of the 1st ACM International Conference on Multimedia in Asia*, 2019, pp. 1–6.
- [10] M. Kim, J. H. Yeo, and Y. M. Ro, "Distinguishing homophones using multi-head visual-audio memory for lip reading," in *AAAI Conference on Artificial Intelligence*, 2022. [Online]. Available: <https://api.semanticscholar.org/CorpusID:247958006>
- [11] P. Ma, S. Petridis, and M. Pantic, "Visual speech recognition for multiple languages in the wild," *Nature Machine Intelligence*, vol. 4, pp. 930 – 939, 2022. [Online]. Available: <https://api.semanticscholar.org/CorpusID:247158802>
- [12] T. Stafylakis and G. Tzimiropoulos, "Combining residual networks with lstms for lipreading," *arXiv preprint arXiv:1703.04105*, 2017.
- [13] K. He, X. Zhang, S. Ren *et al.*, "Deep residual learning for image recognition," in *Proceedings of the IEEE Conference on Computer Vision and Pattern Recognition*, 2016, pp. 770–778.
- [14] A. Graves and A. Graves, "Long short-term memory," *Supervised sequence labelling with recurrent neural networks*, pp. 37–45, 2012.
- [15] B. Martínez, P. Ma, S. Petridis, and M. Pantic, "Lipreading using temporal convolutional networks," *ICASSP 2020 - 2020 IEEE International Conference on Acoustics, Speech and Signal Processing (ICASSP)*, pp. 6319–6323, 2020. [Online]. Available: <https://api.semanticscholar.org/CorpusID:210868410>
- [16] Y. Assael, B. Shillingford, S. Whiteson, and N. de Freitas, "Lipnet: End-to-end sentence-level lipreading," *arXiv: Learning*, 2016. [Online]. Available: <https://api.semanticscholar.org/CorpusID:7421075>
- [17] A. Graves, S. Fernández, F. J. Gomez, and J. Schmidhuber, "Connectionist temporal classification: Labelling unsegmented sequence data with recurrent neural networks." [Online]. Available: <https://api.semanticscholar.org/CorpusID:9901844>
- [18] I. Almajai, S. J. Cox, R. Harvey, and Y. Lan, "Improved speaker independent lip reading using speaker adaptive training and deep neural networks," *2016 IEEE International Conference on Acoustics, Speech and Signal Processing (ICASSP)*, pp. 2722–2726, 2016. [Online]. Available: <https://api.semanticscholar.org/CorpusID:15782716>
- [19] T. Afouras, J. S. Chung, and A. Zisserman, "Asr is all you need: Cross-modal distillation for lip reading," *ICASSP 2020 - 2020 IEEE International Conference on Acoustics, Speech and Signal Processing (ICASSP)*, pp. 2143–2147, 2019. [Online]. Available: <https://api.semanticscholar.org/CorpusID:208513145>
- [20] M. Kim, J. Hong, S. J. Park, and Y. M. Ro, "Cromm-vsr: Cross-modal memory augmented visual speech recognition," *IEEE Transactions on Multimedia*, vol. 24, pp. 4342–4355, 2022. [Online]. Available: <https://api.semanticscholar.org/CorpusID:242871589>
- [21] B. Shi, W.-N. Hsu, K. Lakhotia, and A. rahman Mohamed, "Learning audio-visual speech representation by masked multimodal cluster prediction," *ArXiv*, vol. abs/2201.02184, 2022. [Online]. Available: <https://api.semanticscholar.org/CorpusID:245769552>
- [22] J. S. Chung and A. Zisserman, "Out of time: Automated lip sync in the wild," in *ACCV Workshops*, 2016. [Online]. Available: <https://api.semanticscholar.org/CorpusID:26294509>
- [23] J. Liao, S. Wang, X. Zhang, and G. Liu, "3d convolutional neural networks based speaker identification and authentication," *2018 25th IEEE International Conference on Image Processing (ICIP)*, pp. 2042–2046, 2018. [Online]. Available: <https://api.semanticscholar.org/CorpusID:52187139>
- [24] M. Kim, H. Kim, and Y. M. Ro, "Speaker-adaptive lip reading with user-dependent padding," in *Proceedings of the European Conference on Computer Vision (ECCV)*. Springer, 2022, pp. 576–593.
- [25] Y. LeCun, Y. Bengio, and G. Hinton, "Deep learning," *nature*, vol. 521, no. 7553, pp. 436–444, 2015.
- [26] J. S. Chung and A. Zisserman, "Lip reading in the wild," in *Asian Conference on Computer Vision*, 2016. [Online]. Available: <https://api.semanticscholar.org/CorpusID:19806033>
- [27] S. Yang, Y. Zhang, D. Feng *et al.*, "Lrw-1000: A naturally-distributed large-scale benchmark for lip reading in the wild," in *IEEE International Conference on Automatic Face and Gesture Recognition (FG)*. IEEE, 2019, pp. 1–8.
- [28] C. Wang, "Multi-grained spatio-temporal modeling for lip-reading," *arXiv preprint arXiv:1908.11618*, 2019.
- [29] M. Luo, S. Yang, S. Shan *et al.*, "Pseudo-convolutional policy gradient for sequence-to-sequence lip-reading," in *IEEE International Conference on Automatic Face and Gesture Recognition (FG)*. IEEE, 2020, pp. 273–280.
- [30] J. Xiao, S. Yang, Y. Zhang *et al.*, "Deformation flow based two-stream network for lip reading," in *IEEE International Conference on Automatic Face and Gesture Recognition (FG)*. IEEE, 2020, pp. 364–370.
- [31] Y. Zhang, S. Yang, J. Xiao *et al.*, "Can we read speech beyond the lips? rethinking roi selection for deep visual speech recognition," in *IEEE International Conference on Automatic Face and Gesture Recognition (FG)*. IEEE, 2020, pp. 356–363.
- [32] M. Hao, M. Mamut, N. Yadikar *et al.*, "How to use time information effectively? combining with time shift module for lipreading," in *IEEE International Conference on Acoustics, Speech and Signal Processing (ICASSP)*, 2021, pp. 7988–7992.
- [33] H. Chen, J. Du, Y. Hu *et al.*, "Automatic lip-reading with hierarchical pyramidal convolution and self-attention for image sequences with no word boundaries," in *Interspeech*, 2021, pp. 3001–3005.
- [34] P. Ma, R. Mira, S. Petridis *et al.*, "Lira: Learning visual speech representations from audio through self-supervision," *arXiv preprint arXiv:2106.09171*, 2021.
- [35] P. Ma, Y. Wang, J. Shen *et al.*, "Lip-reading with densely connected temporal convolutional networks," in *Proceedings of the IEEE/CVF Winter Conference on Applications of Computer Vision*, 2021, pp. 2857–2866.
- [36] P. Ma, B. Martinez, S. Petridis *et al.*, "Towards practical lipreading with distilled and efficient models," in *IEEE International Conference on Acoustics, Speech and Signal Processing (ICASSP)*, 2021, pp. 7608–7612.
- [37] X. Zhang, C. Zhang, J. Sui *et al.*, "Boosting lip reading with a multi-view fusion network," in *IEEE International Conference on Multimedia and Expo (ICME)*. IEEE, 2022, pp. 1–6.