

Efficient Point Cloud Classification via Offline Distillation Framework and Negative-Weight Self-Distillation Technique

Qiang Zheng¹, Chao Zhang¹, Jian Sun¹,

Abstract

The rapid advancement in point cloud processing technologies has significantly increased the demand for efficient and compact models that achieve high-accuracy classification. Knowledge distillation has emerged as a potent model compression technique. However, traditional KD often requires extensive computational resources for forward inference of large teacher models, thereby reducing training efficiency for student models and increasing resource demands. To address these challenges, we introduce an innovative offline recording strategy that avoids the simultaneous loading of both teacher and student models, thereby reducing hardware demands. This approach feeds a multitude of augmented samples into the teacher model, recording both the data augmentation parameters and the corresponding logit outputs. By applying shape-level augmentation operations such as random scaling and translation, while excluding point-level operations like random jittering, the size of the records is significantly reduced. Additionally, to mitigate the issue of small student model over-imitating the teacher model's outputs and converging to suboptimal solutions, we incorporate a negative-weight self-distillation strategy. Experimental results demonstrate that the proposed distillation strategy enables the student model to achieve performance comparable to state-of-the-art models while maintaining lower parameter count. This approach strikes an optimal balance between performance and complexity. This study highlights the potential of our method to optimize knowledge distillation for point cloud classification tasks, particularly in resource-constrained environments, providing a novel solution for efficient point cloud analysis.

Keywords: Point Cloud Classification, Offline Distillation, Self-Distillation, Computational Efficiency

1. Introduction

Knowledge distillation (KD) [1] is an effective model compression method. However, applying KD to point cloud classification models faces numerous challenges. Traditional KD methods often rely on high-capacity teacher models, which consume significant computational resources during forward inference, restricting the efficiency of student model training. Additionally, these methods require frequent loading of teacher models for inference across various application scenarios, making them ineffective in resource-constrained environments. Moreover, student models may converge too quickly to sub-optimal solutions while imitating teacher models, limiting the effectiveness of distillation in practical scenarios.

This study proposes an offline distillation framework. Initially, the pre-trained teacher model is loaded separately to generate a diverse set of point cloud samples through various data augmentation operations. These samples undergo logit output inference by the teacher model. During this process, the augmentation parameters and corresponding logit outputs are recorded offline for subsequent student model training. The study employs holistic augmentation methods such as random scaling and translation to ensure that all points in one sample share the same augmentation parameters. The proposed offline distillation framework achieves asynchronous loading of teacher and student models, reducing resource requirements.

The offline record strategy in this framework enhances the flexibility of other knowledge distillation schemes. Pre-storing a large number of records corresponding to augmented samples creates a rich repository of knowledge from the teacher. These records can be used for knowledge distillation in this study and other application scenarios, improving data reusability, avoiding repeated loading of the teacher model, and reducing computational resource consumption.

This study also introduces a negative-weight self-distillation technique to improve the generalization ability of the student model. In traditional self-distillation [2], the student model learns by imitating its outputs from previous iterations. When the external teacher model has a strong guiding effect, self-distillation may exacerbate insufficient student model training. Negative-weight self-distillation encourages the student model to produce different logit outputs for input samples in consecutive iterations by intro-

ducing a negative coefficient in the self-distillation loss term. This strategy forces the model to explore a broader feature space, learning more robust and diverse feature representations. Negative-weight self-distillation provides a new regularization mechanism, balancing the model’s training process and preventing a decrease in adaptability to new situations in the pursuit of precise imitation.

2. Related works

2.1. Point Cloud Analysis

Point cloud analysis constitutes a fundamental technique in 3D data processing, with research endeavors delineated into three primary categories based on their treatment of point cloud data: projection-based methods, voxel-based methods, and point-based methods.

Point-based methods directly process the original point cloud data without undergoing data transformation or mapping. The primary advantage of these methods lies in their ability to fully exploit the inherent structure of the point cloud data, thereby avoiding potential information loss during the conversion process. Point-based methods are further classified into Multi-Layer Perceptron (MLP)-based, Convolutional Neural Network (CNN)-based, Graph Neural Network (GNN)-based, and Transformer-based approaches. The MLP-based method [3, 4] utilizes shared MLPs to transform point features and employs pooling operations to aggregate features. Although this strategy overlooks the inherent connections among points, MLP-based methods demonstrate relatively high computational efficiency. The CNN-based method [5, 6] learns convolutional kernels for local areas and extracts features through convolutional operations, proficient in capturing local patterns within the point cloud. The GNN-based method [7, 8] treats the point cloud as graph data, extracting features from nodes and edges and aggregating node information in a high-dimensional feature space, thereby being apt for complex topological structure analysis. Finally, the Transformer-based method [9, 10] perceives the point cloud as an unordered set of points, dynamically generating weights for each point using attention mechanisms, offering high flexibility and scalability. In the realm of point cloud analysis, while prior works have made significant strides, they often prioritize either efficiency or accuracy. Our study, however, seeks to strike a balance between these two critical aspects, aiming for a model that delivers both high performance and computational efficiency.

2.2. Knowledge Distillation

In the realm of knowledge distillation, seminal works have significantly advanced both logit and feature distillation techniques. KD [1] introduces knowledge distillation, inspiring subsequent research. Yang et al. proposed SRRL [11], optimizing penultimate layer features of student networks. Zhao et al. introduce DKD [12], offering independent optimization of target and non-target class knowledge. KDExplainer [13] by Xue et al. explores attention mechanisms, providing deeper insights into the distillation process. Cui et al. integrate self-supervision tasks with knowledge distillation [14], enhancing knowledge transfer in various scenarios. FN [15] proposed by Xu et al. addressed label noise using feature normalization. Liu et al. propose SimKD [16], reusing the teacher’s classifier for student inference. Zhou et al. [17] address the bias-variance tradeoff in knowledge distillation using weighted soft labels. Zagoruyko and Komodakis [18] focus on attention transfer for knowledge transfer in convolutional neural networks. Moreover, advancements in feature distillation have been made. Romero et al. introduce FitNets [19], utilizing intermediate representations to guide training of thinner student networks. Park et al. propose RKD [20], transferring mutual relations between data examples. Tung and Mori introduce SPKD [21], preserving pairwise similarity of input activations. Zagoruyko and Komodakis [22] explore attention transfer for improved CNN performance. Chen et al. [23] address semantic mismatch with a knowledge review framework emphasizing cross-layer information flow. Chen et al. propose CLDSC [24], alleviating semantic mismatch and improving generalization. Distinguished from existing knowledge distillation methods, our study introduces a negative-weight self-distillation technique. This innovative approach is tailored to prevent the student model from converging prematurely on suboptimal solutions, thereby fostering a more robust and diverse feature learning process.

3. Methodology

3.1. Offline Distillation Framework

In contrast to traditional knowledge distillation methods, which often involve synchronous loading and inference with a teacher model, our study introduces an offline distillation framework, illustrated in Fig. 1. This framework addresses the high computational and storage demands associated with

real-time inference of large teacher models. The general process involves generating offline records in the first phase, which are then utilized for training the student model in a subsequent phase. This separation enables the student model to benefit from the teacher’s knowledge without requiring the teacher model’s presence during training, thus reducing overall resource consumption.

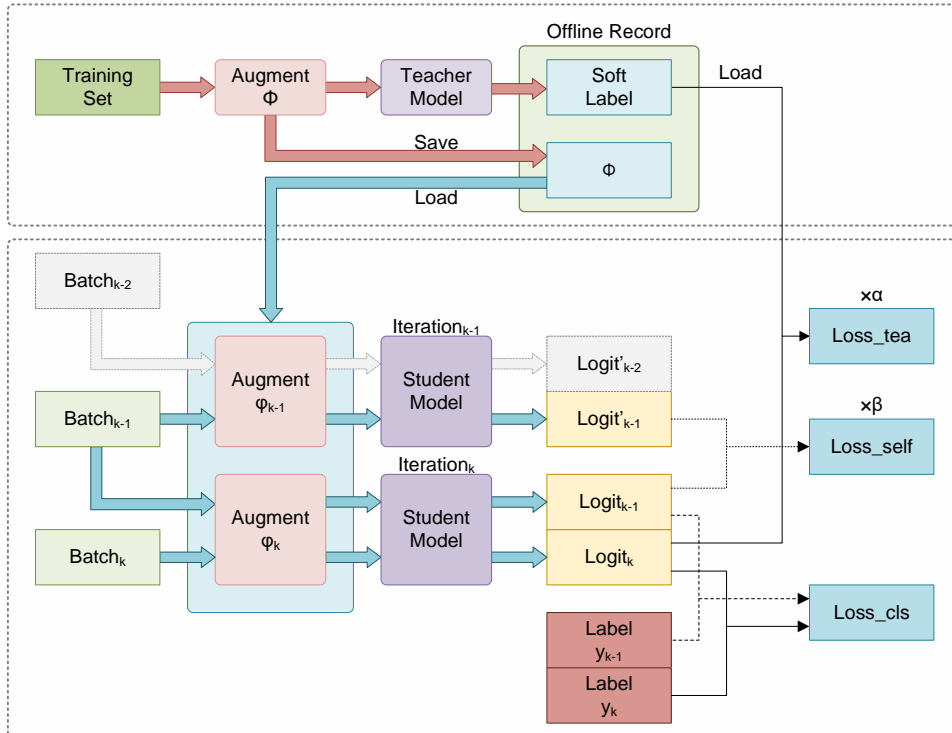


Figure 1: The figure depicts the two-stage offline distillation framework, beginning with a pre-trained teacher model that infers input samples and captures soft labels and data augmentation parameters. The subsequent phase trains a student model utilizing the offline record for teacher-student distillation, enhanced by the introduction of negative weight self-distillation. The overall architecture encompasses three types of loss functions: classification, teacher-student distillation, and self-distillation.

Creating offline records involves multiple epochs of inference with the teacher model. Unlike traditional methods that record soft labels directly from the original, unaltered training set, our method ensures that each

epoch’s results correspond to a complete set of records. During this phase, data augmentation techniques such as random scaling and translation are applied without shuffling the training set, ensuring that each record is aligned with the original sample order. This approach captures the nuanced changes introduced by data augmentation, which are essential for the student model to learn from varied data representations. By recording the augmented samples alongside their corresponding soft labels, we establish a robust linkage that is critical for effective knowledge transfer.

The utilization of offline records in the student model’s training follows a process of selective sampling from the pre-generated records. For each training epoch, a set of records, including the augmentation parameters and the corresponding soft labels, is randomly selected. If the training set undergoes any shuffling operations, the selected records are shuffled in the same manner to ensure synchronicity between the samples, augmentation parameters, and soft labels. This synchronization preserves the one-to-one correspondence required for accurate training.

The offline distillation framework and associated offline records offer several distinct advantages. Firstly, they allow for a more flexible and efficient allocation of computational resources, as the teacher model’s inference need not be concurrent with the student model’s training. Secondly, by generating an excess of augmented samples, the student model is exposed to a wider array of data representations, enhancing its generalization capabilities. Lastly, the offline records can be reused across different training sessions and with various student models, increasing the scalability and adaptability of the knowledge distillation process.

3.2. Negative-Weight Self-Distillation

The traditional self-distillation approach, despite its benefits, presents unique challenges when applied to smaller models. These models, with their limited parameters and straightforward architecture, may lack sufficient internal knowledge for effective distillation. This limitation can hinder performance improvement. Additionally, their simple structure and lack of diversity in components might result in only minor learning gains during the self-distillation process. Smaller models, due to their limited representational power, might quickly converge on suboptimal solutions rather than finding the global optimum. In such cases, traditional self-distillation could inadvertently reinforce this tendency by consistently replicating the model’s existing knowledge without the necessary variety to explore better solutions.

To address these issues, this study introduces negative-weight self-distillation into the student model’s training process, illustrated in Fig. 1. Unlike conventional self-distillation, this method assigns a negative weight to the self-distillation loss. In our approach, the student model receives two sets of data within each training batch: the current batch data \mathcal{B}_k and data from the preceding batch \mathcal{B}_{k-1} . Both datasets are augmented based on the parameters saved by the teacher model for the current batch samples \mathcal{B}_k , generating diverse sample representations. The student model computes the classification loss for the augmented \mathcal{B}_k and \mathcal{B}_{k-1} , while also evaluating the KL divergence between the outputs of \mathcal{B}_{k-1} across two consecutive batches. This KL divergence measures the difference between the two probability distributions and indicates how consistently the model represents the same batch samples across successive batches.

The use of negative-weight self-distillation in our point cloud classification experiment has several advantages. Firstly, it acts as a form of regularization, introducing additional constraints in the loss function that encourage the model to maintain a certain level of dissimilarity in the representation of identical samples across consecutive batches. This helps prevent the model parameters from converging too closely to a local optimum, instead guiding the model to explore a broader parameter space to find a better optimum. By incorporating a negative-weight self-distillation loss, the model is compelled to generate distinct outputs for the same data in consecutive iterations under the influence of the teacher model’s soft labels, thereby enhancing its adaptability to new data by acquiring diverse data representations.

In summary, our research introduces a classification model that integrates teacher-student distillation and negative-weight self-distillation, incorporating three distinct components in the loss function. The expressions for these components and the overall loss are specified as follows:

$$\mathcal{L}_{CE} = \frac{1}{n} \mathcal{H}([\mathbf{p}_{i,s}^{pre}, \mathbf{p}_{i,s}^{cur}], [\mathbf{y}_i^{pre}, \mathbf{y}_i^{cur}]) \quad (1)$$

$$\mathcal{L}_{dist}^{(tea)} = \frac{1}{n} \sum_i T_{tea}^2 D_{KL}(\mathbf{p}_{i,s}^{cur} || \mathbf{p}_{i,t}^{cur}) \quad (2)$$

$$\mathcal{L}_{dist}^{(self)} = \frac{1}{n} \sum_i T_{self}^2 D_{KL}(\mathbf{p}_{i,s}^{pre} || \mathbf{p}_{i,s}'^{pre}) \quad (3)$$

$$\mathcal{L}_{total} = \mathcal{L}_{CE} + \alpha \mathcal{L}_{dist}^{(tea)} + \beta \mathcal{L}_{dist}^{(self)} \quad (4)$$

Here, \mathcal{L}_{CE} represents the cross-entropy loss for classification, $\mathcal{L}_{dist}^{(tea)}$ is the teacher-student distillation loss, and $\mathcal{L}_{dist}^{(self)}$ is the self-distillation loss with a negative weight. The variables T_{tea}^2 and T_{self}^2 scale the distillation losses, and the weight coefficients α and β are set such that $\alpha > 0$ and $\beta < 0$. The terms “cur” and “pre” denote the data corresponding to the current batch and the previous batch, respectively, with “[]” indicating concatenation. The symbols “t” and “s” represent the outputs of the teacher and student models. Additionally, \mathbf{y}_i^{cur} and \mathbf{y}_i^{pre} , $\mathbf{p}_{i,s}^{cur}$, and $\mathbf{p}_{i,s}^{pre}$ denote the ground truths and logits of the i -th sample in the current and previous batches, respectively. $\mathbf{p}_{i,t}^{cur}$ indicates the soft labels obtained from the teacher model for the current batch data, and $\mathbf{p}_{i,s}^{pre}$ signifies the logits produced for the previous batch data during the training of that previous batch.

3.3. Network Configuration

In this study, the teacher network is built upon the PointViG model [25]. A condensed student model denoted as **PointViG-Distillation** (PointViG-Distil) is derived by reducing the number of layers in the PointViG [25] framework, with the student model containing only a single graph convolutional module. Additionally, recognizing that the teacher model progressively expands its perceptual field through a hierarchical encoder, the student model adjusts the neighborhood size associated with local embedding and graph convolution. The principal differences between the student and teacher models are outlined in Table 1.

Encoder Param.	PointViG [25]	PointViG-Distil
Neigh. Size (Local Embed.)	24	48
Num. Stage	3	1
Num. Block	[1, 1, 1]	[1,]
Channels	[64, 128, 256]	[128,]
Neigh. Size (Graph Conv.)	[8, 8, 8]	[32,]

Table 1: Comparison of Encoder Hyperparameters between Teacher and Student Models.

During the training process of the student model, the iteration is set for 100 epochs with a batch size of 32. The optimization process employs the Adam optimizer, with the learning rate initialized at 1.0×10^{-3} and decaying to 1.0×10^{-5} . To ensure robust guidance from the teacher model while

preventing the negative-weight self-distillation from hindering the student model’s convergence, we set a larger positive value for α and assigned β a smaller absolute value. Specifically, in the loss function outlined in Eq. 4, α is set to 2.0, β is set to -0.01 , and the temperatures T_{tea} and T_{self} are both set to 3.0.

4. Experiments

4.1. ModelNet40 Classification

The ModelNet40 dataset is used as a benchmark to evaluate our model’s performance in point cloud classification. ModelNet40 comprises 40 categories of objects with a total of 12311 unique 3D models. Following PointNet [3], each model in the dataset is represented as a point cloud with 1024 points.

We present a comparative analysis of the PointViG [25] model and its distilled variant, PointViG-Distil, on the ModelNet40 classification task, as detailed in Table 2. The PointViG [25] model, serving as our teacher model, demonstrated an accuracy of 94.3%. The PointViG-Distil model, which incorporates our proposed knowledge distillation techniques, achieved an accuracy of 94.1%. This result indicates that the distilled model retains a high level of performance while having significantly fewer parameters compared to the original PointViG [25] model. This performance comparison is particularly noteworthy as it highlights the effectiveness of our distillation approach in compressing the model without a substantial loss in accuracy. The close performance between PointViG [25] and PointViG-Distil, despite the latter’s reduced parameter count, underscores the success of our method in efficiently transferring knowledge from a larger model to a more compact one.

4.2. Complexity Analysis

Tab. 3 presents a complexity analysis of PointViG [25]. Compared to its teacher model, PointViG-Distil does not show a reduction in time complexity. This is because PointViG [25] is already highly computationally efficient compared to other state-of-the-art models. In the case of PointViG-Distil, the encoder is compressed to a single graph convolution block, and measures have been taken to enhance the perceptual field by increasing the graph neighborhood size, which inevitably increases computational demand. Despite this, PointViG-Distil achieves a significant reduction in parameter count compared to PointViG [25]. The comparative analysis shows that

Method	Input	Num.	mAcc(%)	OA(%)
PointNet [3]	xyz	1k	86.0	89.2
PointNet++(MSG) [4]	xyz, nor	5k	-	91.9
PointCNN [26]	xyz	1k	88.1	92.2
DGCNN [7]	xyz	1k	90.2	92.9
RS-CNN [27] w/o vot.	xyz	1k	-	92.9
KPConv [28]	xyz	6.8k	-	92.9
PointNext [29]	xyz	1k	90.8	93.2
AdaptConv [8]	xyz	1k	90.7	93.4
PointMixer [30]	xyz	1k	91.4	93.6
PT [9]	xyz	1k	90.6	93.7
CurveNet [31]	xyz	1k	-	93.8
PointMLP [32]	xyz	1k	90.9	94.1
PointViG [25]	xyz	1k	91.2	94.3
PointViG-Distil (Ours)	xyz	1k	91.0	94.1

Table 2: Results for the ModelNet40 classification task.

PointViG-Distil, while maintaining competitive accuracy, optimizes model complexity, which is particularly beneficial for applications with constrained computational budgets.

4.3. Ablation Experiments on Framework Design

The ablation experiment was designed to elucidate the role of the distillation framework, with results documented in Tab. 4. This table presents the performance of four configurations: Model-1 (No Distill.), Model-2 (Tea. Distil.), Model-3 (Self. Distil.), and PointViG-Distil (Tea. & Self. Distil.). These models correspond to scenarios with no distillation, teacher-student distillation only, negative-weight self-distillation only, and the integration of both distillation methods, respectively. The accuracy rates for these models are recorded as 92.6%, 93.9%, 92.6%, and 94.1%, respectively.

Upon reviewing the performance of Model-1 and Model-3, it is evident that Model-1, due to significant compression, exhibits limited performance compared to PointViG [25]. The nearly identical accuracy between Model-1 and Model-3 can be attributed to the lack of guidance from a teacher model, which results in a slower convergence of the student model, thereby

Method	Params. (M)	FLOPs (G)	mAcc (%)	OA (%)
PointNet [3]	3.5	0.9	86.2	89.2
PointNet++(MSG) [4]	1.7	4.1	-	91.9
PointCNN [26]	0.6	-	88.1	92.2
DGCNN [7]	1.8	4.8	90.2	92.9
DeepGCN [33]	2.2	3.9	90.9	93.6
PointNext-S [29]	4.5	6.5	90.9	93.7
PointMLP [32]	13.2	31.3	90.9	94.1
PointWavelet-L [34]	58.4	39.2	91.1	94.3
PointViG [25]	1.5	0.6	91.2	94.3
PointViG-Distil (Ours)	0.4	0.6	91.0	94.1

Table 3: Results of the complexity analysis on ModelNet40 classification task (M: 10^6 , G: 10^9). Due to the enlargement of neighborhood sizes, the FLOPs of PointViG-Distil have not decreased compared to the teacher model; however, the number of parameters has been significantly reduced.

Model	Model-1 (No Distill.)	Model-2 (Tea. Distil.)	Model-3 (Self. Distil.)	PointViG-Distil (Tea. & Self. Distil.)
Acc. (%)	92.6	93.9	92.6	94.1

Table 4: Ablation study results of the distillation framework. The table presents comparative performance of four configurations.

preventing the negative-weight self-distillation from exerting its regularizing effect on training. The comparison between Model-2 and Model-4 reveals that, with the guidance of the teacher model PointViG [25], Model-2 achieves performance close to that of PointViG [25], despite a substantial reduction in parameters. Moreover, PointViG-Distil indicates that when the student model’s performance approaches saturation, the self-distillation mechanism contributes to further enhancement in performance.

The ablation study provides compelling evidence that the combined application of teacher-student and negative-weight self-distillation methods in PointViG-Distil yields the highest accuracy, surpassing the individual effects of each distillation technique. This synergistic effect underscores the sig-

nificance of the distillation framework, which optimizes model performance and concurrently reduces model complexity, achieving an optimal balance between them.

4.4. Effects of Distillation Weights on Model Performance:

This section investigates the impact of distillation weights on the classification performance of the student model. The experimental design follows conventional settings in knowledge distillation, where the teacher-student distillation weight α is set to a high value without self-distillation. This ensures that the weight is comparable to the classification loss weight, providing strong guidance for the student model. Once the teacher-student distillation parameters are established, the model further introduces a self-distillation with a negative weight β of low magnitude to prevent interference with the training of the student model. This section explores the effects of varying weights on model performance through a series of experiments. The results are presented in Tab. 5 and 6, corresponding to the accuracy of the student model under different α and β values, respectively.

α	1.0	2.0	3.0	4.0	5.0
Acc. (%)	93.7	93.9	93.7	93.7	93.5

Table 5: Accuracy variation of the student model with different teacher-student distillation weights α (without self-distillation), at a constant temperature $T_{\text{tea}} = 3.0$.

β	-1.0	-0.1	-0.01	0.01	0.1	1.0
Acc. (%)	93.9	93.8	94.1	93.7	93.6	93.7

Table 6: Accuracy of the student model at various self-distillation weights β , with a fixed temperature T_{self} of 3.0. The results indicate higher accuracy with negative β values, suggesting a regularizing effect.

As shown in Tab. 5, without self-distillation, the accuracy varies with different α values, indicating that the strength of guidance has a direct impact on the knowledge transfer from the teacher model and the learning of the student model. The table demonstrates that an appropriately high α is crucial for effective knowledge distillation and student model guidance.

Tab. 6 illustrates that when the teacher model provides strong guidance, the model’s performance is generally better with a negative self-distillation weight β than with a positive β . This confirms that negative-weight self-distillation serves a regularizing role, enhancing the model’s ability to generalize from training data and preventing rapid convergence to suboptimal solutions under the teacher model’s guidance.

4.5. Impact of Distillation Techniques on Feature Space Representation

In this section, we present a t-distributed Stochastic Neighbor Embedding (t-SNE) visualization analysis of four models for point cloud classification. The models include: (a) the original teacher model, PointViG [25]; (b) PointViG-Distil, a compressed version without any distillation techniques; (c) PointViG-Distil with only teacher-student distillation; and (d) the full PointViG-Distil model incorporating both teacher-student distillation and negative-weight self-distillation. Each model’s encoded features are visualized in separate plots, labeled (a), (b), (c), and (d) in Fig. 2, respectively. Ten representative regions were identified and consistently labeled across all visualizations to facilitate a direct comparison of class separability and feature representation.

The visualizations revealed distinct patterns in the feature space for each model. **Model-a**, the teacher model PointViG [25], exhibited well-dispersed clusters with clear boundaries, indicating high separability between categories. In contrast, **Model-b**, the compressed version without distillation, showed less distinct cluster boundaries, suggesting reduced separability compared to the teacher model. **Model-c**, which introduced teacher-student distillation to Model-b, closely resembled Model-a, particularly for clusters 1, 2, 3, 4, 6, 7, 8, and 10, indicating that the student model effectively emulated the teacher’s feature representation.

Model-d, the full PointViG-Distil model with both distillation techniques, showed an expanded distribution range for all clusters compared to Models a and c. Notably, smaller clusters, which were centrally located, were more dispersed in Model-d, suggesting improved separability. Additionally, in Model-d, clusters 1, 2, 3, 5, 7, and 10 displayed a substantial reduction in category overlap, with the majority of instances where overlap occurs being confined to the periphery of the clusters, thereby indicating a mitigated inter-category interference. The observed improvements in Model-d can be attributed to the combined effects of teacher-student distillation and negative-weight self-distillation. The teacher-student distillation allows the

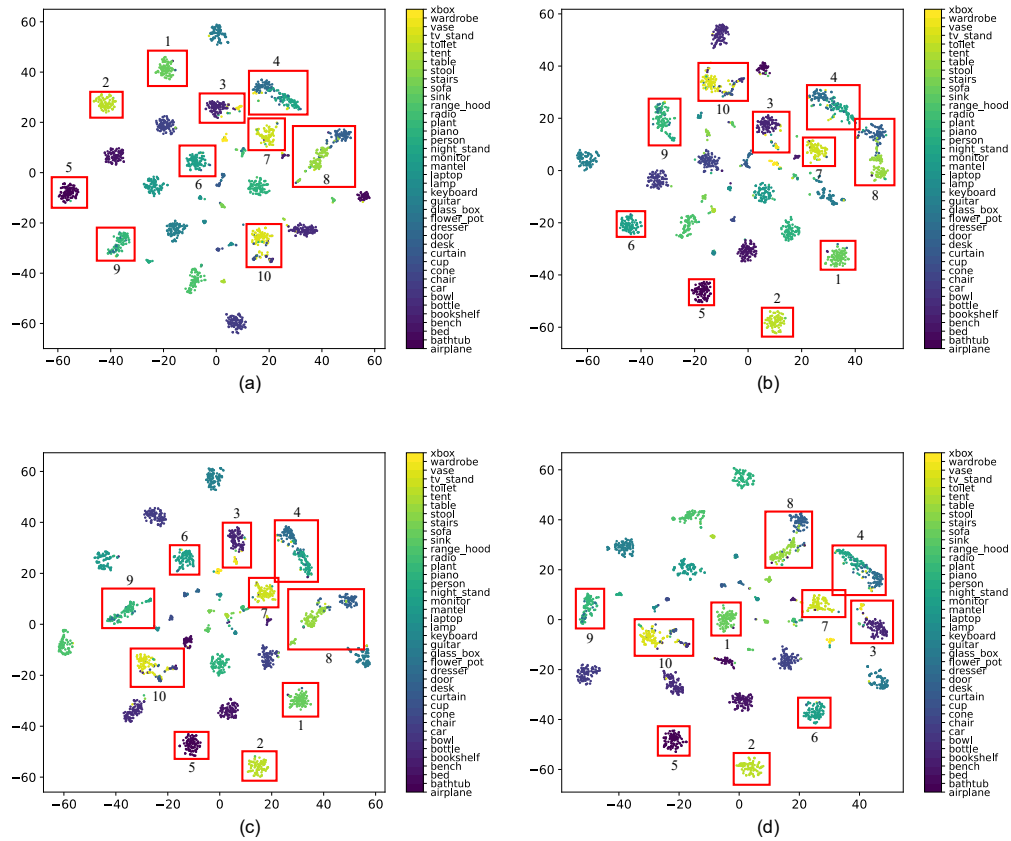


Figure 2: t-SNE visualization of encoded features for (a) PointViG [25] (teacher model), (b) PointViG-Distil (no distillation), (c) PointViG-Distil (teacher-student distillation only), and (d) PointViG-Distil (teacher-student and negative-weight self-distillation). Ten representative regions are consistently labeled across all plots for comparison of class separability and feature representation. This figure is best viewed in an enlarged format for clarity.

student model to inherit the teacher’s knowledge, enhancing feature representation and class separability. The negative-weight self-distillation further refines the model by encouraging diversity in the feature space, reducing the likelihood of converging on suboptimal solutions and promoting generalization.

The t-SNE visualization analysis underscores the efficacy of our distillation strategies in enhancing the PointViG-Distil model’s feature encoding capabilities. The incremental integration of distillation techniques, from Model-b to Model-d, has led to a progressive enhancement in class separability and feature representation. The full PointViG-Distil model, with its combined distillation approaches, offers a compelling balance between model complexity and performance, making it well-suited for applications with limited computational resources.

5. Conclusion

The PointViG-Distil model introduced in this study effectively enhances point cloud classification through an efficient offline distillation framework combined with negative-weight self-distillation. This approach produces a model that matches the accuracy of its teacher while significantly reducing the parameter count, marking a critical advancement for applications in resource-constrained environments. However, the model faces limitations in dense prediction tasks due to the extensive size of offline records. Future research should focus on refining these records for improved scalability. Additionally, integrating our distillation strategies into other domains, such as image classification, presents a promising avenue for further exploration. This research not only advances the field of point cloud analysis but also lays the groundwork for optimizing knowledge distillation across a variety of resource-intensive tasks, thereby enhancing model performance and efficiency in various resource-limited settings.

References

- [1] G. E. Hinton, O. Vinyals, J. Dean, Distilling the knowledge in a neural network, ArXiv abs/1503.02531 (2015).
URL <https://api.semanticscholar.org/CorpusID:7200347>
- [2] L. Zhang, C. Bao, K. Ma, Self-distillation: Towards efficient and compact neural networks, IEEE Transactions on Pattern Analysis and Ma-

- chine Intelligence 44 (8) (2022) 4388–4403. doi:10.1109/TPAMI.2021.3067100.
- [3] R. Q. Charles, H. Su, M. Kaichun, L. J. Guibas, Pointnet: Deep learning on point sets for 3d classification and segmentation, in: 2017 IEEE Conference on Computer Vision and Pattern Recognition (CVPR), 2017, pp. 77–85. doi:10.1109/CVPR.2017.16.
 - [4] C. R. Qi, L. Yi, H. Su, L. J. Guibas, Pointnet++: Deep hierarchical feature learning on point sets in a metric space, in: Advances in Neural Information Processing Systems, Vol. 30, 2017.
 - [5] Y. Li, R. Bu, M. Sun, W. Wu, X. Di, B. Chen, Pointcnn: Convolution on x-transformed points, in: Proceedings of the 32nd International Conference on Neural Information Processing Systems, NIPS’18, Curran Associates Inc., Red Hook, NY, USA, 2018, p. 828–838.
 - [6] S. Wang, S. Suo, W.-C. Ma, A. Pokrovsky, R. Urtasun, Deep parametric continuous convolutional neural networks, in: 2018 IEEE/CVF Conference on Computer Vision and Pattern Recognition (CVPR), 2018, pp. 2589–2597.
 - [7] Y. Wang, Y. Sun, Z. Liu, S. E. Sarma, M. M. Bronstein, J. M. Solomon, Dynamic graph cnn for learning on point clouds, ACM Trans. Graph. 38 (5) (2019).
 - [8] H. Zhou, Y. Feng, M. Fang, M. Wei, J. Qin, T. Lu, Adaptive graph convolution for point cloud analysis, in: 2021 IEEE/CVF International Conference on Computer Vision (ICCV), 2021, pp. 4945–4954. doi:10.1109/ICCV48922.2021.00492.
 - [9] H. Zhao, L. Jiang, J. Jia, P. Torr, V. Koltun, Point transformer, in: 2021 IEEE/CVF International Conference on Computer Vision (ICCV), 2021, pp. 16239–16248. doi:10.1109/ICCV48922.2021.01595.
 - [10] X. Wu, Y. Lao, L. Jiang, X. Liu, H. Zhao, Point transformer v2: Grouped vector attention and partition-based pooling, in: S. Koyejo, S. Mohamed, A. Agarwal, D. Belgrave, K. Cho, A. Oh (Eds.), Advances in Neural Information Processing Systems, Vol. 35, 2022, pp. 33330–33342.

- [11] J. Yang, B. Martinez, A. Bulat, G. Tzimiropoulos, Knowledge distillation via softmax regression representation learning, in: International Conference on Learning Representations, 2021.
- [12] B. Zhao, Q. Cui, R. Song, Y. Qiu, J. Liang, Decoupled knowledge distillation, in: 2022 IEEE/CVF Conference on Computer Vision and Pattern Recognition (CVPR), 2022, pp. 11943–11952. doi:10.1109/CVPR52688.2022.01165.
- [13] M. Xue, J. Song, X. Wang, Y. Chen, X. Wang, M. Song, Kdexplainer: A task-oriented attention model for explaining knowledge distillation, in: Z.-H. Zhou (Ed.), Proceedings of the Thirtieth International Joint Conference on Artificial Intelligence, IJCAI-21, 2021, pp. 3228–3234, main Track. doi:10.24963/ijcai.2021/444.
- [14] G. Xu, Z. Liu, X. Li, C. C. Loy, Knowledge distillation meets self-supervision, in: A. Vedaldi, H. Bischof, T. Brox, J.-M. Frahm (Eds.), Computer Vision – ECCV 2020, Springer International Publishing, Cham, 2020, pp. 588–604.
- [15] K. Xu, L. Rui, Y. Li, L. Gu, Feature normalized knowledge distillation for image classification, in: A. Vedaldi, H. Bischof, T. Brox, J.-M. Frahm (Eds.), Computer Vision – ECCV 2020, Springer International Publishing, Cham, 2020, pp. 664–680.
- [16] D. Chen, J.-P. Mei, H. Zhang, C. Wang, Y. Feng, C. Chen, Knowledge distillation with the reused teacher classifier, in: 2022 IEEE/CVF Conference on Computer Vision and Pattern Recognition (CVPR), 2022, pp. 11923–11932. doi:10.1109/CVPR52688.2022.01163.
- [17] H. Zhou, L. Song, J. Chen, Y. Zhou, G. Wang, J. Yuan, Q. Zhang, Rethinking soft labels for knowledge distillation: A bias–variance tradeoff perspective, in: International Conference on Learning Representations, 2021.
- [18] Z. Yang, A. Zeng, Z. Li, T. Zhang, C. Yuan, Y. Li, From knowledge distillation to self-knowledge distillation: A unified approach with normalized loss and customized soft labels, in: 2023 IEEE/CVF International Conference on Computer Vision (ICCV), 2023, pp. 17139–17148. doi:10.1109/ICCV51070.2023.01576.

- [19] A. Romero, N. Ballas, S. E. Kahou, A. Chassang, C. Gatta, Y. Bengio, Fitnets: Hints for thin deep nets (2015). [arXiv:1412.6550](https://arxiv.org/abs/1412.6550).
- [20] W. Park, D. Kim, Y. Lu, M. Cho, Relational knowledge distillation, in: 2019 IEEE/CVF Conference on Computer Vision and Pattern Recognition (CVPR), 2019, pp. 3962–3971. [doi:10.1109/CVPR.2019.00409](https://doi.org/10.1109/CVPR.2019.00409).
- [21] F. Tung, G. Mori, Similarity-preserving knowledge distillation, in: 2019 IEEE/CVF International Conference on Computer Vision (ICCV), 2019, pp. 1365–1374. [doi:10.1109/ICCV.2019.00145](https://doi.org/10.1109/ICCV.2019.00145).
- [22] S. Zagoruyko, N. Komodakis, Paying more attention to attention: Improving the performance of convolutional neural networks via attention transfer, in: International Conference on Learning Representations, 2017.
- [23] P. Chen, S. Liu, H. Zhao, J. Jia, Distilling knowledge via knowledge review, in: 2021 IEEE/CVF Conference on Computer Vision and Pattern Recognition (CVPR), 2021, pp. 5006–5015. [doi:10.1109/CVPR46437.2021.00497](https://doi.org/10.1109/CVPR46437.2021.00497).
- [24] D. Chen, J.-P. Mei, Y. Zhang, C. Wang, Z. Wang, Y. Feng, C. Chen, Cross-layer distillation with semantic calibration, Proceedings of the AAAI Conference on Artificial Intelligence 35 (8) (2021) 7028–7036. [doi:10.1609/aaai.v35i8.16865](https://doi.org/10.1609/aaai.v35i8.16865).
URL <https://ojs.aaai.org/index.php/AAAI/article/view/16865>
- [25] Q. Zheng, Y. Qi, C. Wang, C. Zhang, J. Sun, Pointvig: A lightweight gnn-based model for efficient point cloud analysis (2024). [arXiv:2407.00921](https://arxiv.org/abs/2407.00921).
URL <https://arxiv.org/abs/2407.00921>
- [26] Y. Li, R. Bu, M. Sun, W. Wu, X. Di, B. Chen, Pointcnn: Convolution on x-transformed points, in: S. Bengio, H. Wallach, H. Larochelle, K. Grauman, N. Cesa-Bianchi, R. Garnett (Eds.), Advances in Neural Information Processing Systems, Vol. 31, 2018.
- [27] Y. Liu, B. Fan, S. Xiang, C. Pan, Relation-shape convolutional neural network for point cloud analysis, in: 2019 IEEE/CVF Conference on Computer Vision and Pattern Recognition (CVPR), 2019, pp. 8887–8896. [doi:10.1109/CVPR.2019.00910](https://doi.org/10.1109/CVPR.2019.00910).

- [28] H. Thomas, C. R. Qi, J.-E. Deschaud, B. Marcotegui, F. Goulette, L. Guibas, Kpconv: Flexible and deformable convolution for point clouds, in: 2019 IEEE/CVF International Conference on Computer Vision (ICCV), 2019, pp. 6410–6419. doi:10.1109/ICCV.2019.00651.
- [29] G. Qian, Y. Li, H. Peng, J. Mai, H. Hammoud, M. Elhoseiny, B. Ghanem, Pointnext: Revisiting pointnet++ with improved training and scaling strategies, in: S. Koyejo, S. Mohamed, A. Agarwal, D. Belgrave, K. Cho, A. Oh (Eds.), Advances in Neural Information Processing Systems, Vol. 35, 2022.
- [30] J. Choe, C. Park, F. Rameau, J. Park, I. S. Kweon, Pointmixer: Mlp-mixer for point cloud understanding, arXiv preprint arXiv:2111.11187 (2021).
- [31] T. Xiang, C. Zhang, Y. Song, J. Yu, W. Cai, Walk in the cloud: Learning curves for point clouds shape analysis, in: Proceedings of the IEEE/CVF International Conference on Computer Vision (ICCV), 2021, pp. 915–924.
- [32] X. Ma, C. Qin, H. You, H. Ran, Y. Fu, Rethinking network design and local geometry in point cloud: A simple residual mlp framework, in: International Conference on Learning Representations, 2022.
- [33] G. Li, M. Mueller, G. Qian, I. C. Delgadillo Perez, A. Abualshour, A. K. Thabet, B. Ghanem, Deepgcns: Making gcns go as deep as cnns, IEEE Transactions on Pattern Analysis and Machine Intelligence (2021).
- [34] C. Wen, J.-L. Long, B. Yu, D. Tao, Pointwavelet: Learning in spectral domain for 3d point cloud analysis, ArXiv abs/2302.05201 (2023).