

IG-CFAT: An Improved GAN-Based Framework for Effectively Exploiting Transformers in Real-World Image Super-Resolution

Alireza Aghelan*¹, Ali Amiryan², Abolfazl Zarghani¹, Behnoush Hatami³

¹Department of Computer Engineering, Ferdowsi University of Mashhad, Mashhad, Iran

²Department of Computer Engineering, Amirkabir University of Technology, Tehran, Iran

³Department of Computer Science and Engineering, University of Nevada, Reno, USA

{aghelan.alireza, abolfazlzarghani1999}@mail.um.ac.ir, ali.amiryan@mail.aut.ac.ir, bhatami@unr.edu

Abstract

In the field of single image super-resolution (SISR), transformer-based models, have demonstrated significant advancements. However, the potential and efficiency of these models in applied fields such as real-world image super-resolution are less noticed and there are substantial opportunities for improvement. Recently, composite fusion attention transformer (CFAT), outperformed previous state-of-the-art (SOTA) models in classic image super-resolution. This paper extends the CFAT model to an improved GAN-based model called IG-CFAT to effectively exploit the performance of transformers in real-world image super-resolution. IG-CFAT incorporates a semantic-aware discriminator to reconstruct image details more accurately, significantly improving perceptual quality. Moreover, our model utilizes an adaptive degradation model to better simulate real-world degradations. Our methodology adds wavelet losses to conventional loss functions of GAN-based super-resolution models to reconstruct high-frequency details more efficiently. Empirical results demonstrate that IG-CFAT sets new benchmarks in real-world image super-resolution, outperforming SOTA models in both quantitative and qualitative metrics.

Keywords: Real-world image super-resolution, Transformer, Generative adversarial network, Semantic-aware discriminator, Adaptive degradation model.

1. Introduction

Image super-resolution is the process of establishing high-quality images from corresponding low-resolution versions, which is a technique useful in healthcare, satellite imaging, security, and multi-media. Traditionally, image super-resolution has employed deep learning techniques, such as convolutional neural networks (CNN), and has produced the perfect Peak Signal-to-Noise Ratio (PSNR). However, these techniques tend to create an image that is good in quantitative metrics but lacks the details that truly make them stand out in visual appeal.

These limitations are traditionally overcome by recent approaches including generative adversarial networks [1] (GANs) – based and transformer-based methods. The GAN-based techniques advance textural realism through adversarial training: pitting a generative network against a discriminative one and learning to produce significantly more detailed and visually attractive images. Some recent works have presented transformer-based models, like SwinIR [2] and hybrid attention transformer (HAT) [3], making significant advancements in this area. These models leverage the power of the transformers to capture long-range dependencies in the models and enhance global consistency and fine details of super-resolved outputs. However, classic GAN-based and transformer-based models cannot effectively enhance the perceptual quality of images degraded by complex and unknown degradation patterns common in real-world scenarios.

Over time, the use of super-resolution (SR) methods has been gaining more and more importance in real-world scenarios since they offer a fundamental breakthrough in visual quality. Real-world image super-resolution acknowledges the fact that image degradations are complex, most of them being unpredictable and without a proper representation in the available controlled datasets. Models, such as BSRGAN [4] and Real-ESRGAN [5] have already addressed the problem, which have degradation models to address such issues, though with some drawbacks. However, some recent degradation models can better mimic real-world degradations.

Most of the GAN-based models that use transformer-based generators, such as SwinIR-GAN and Real-HAT-GAN [6], have older degradation models and simpler discriminators. These two factors limit the model's effectiveness in capturing fine and natural details in complex scenarios. This shows that advanced degradation models, as well as more sophisticated discriminators, are required for fully unleashing the potential of transformers in real-world image super-resolution tasks.

Composite fusion attention transformer [7] (CFAT) is a novel model that utilizes non-overlapping triangular windows alongside traditional rectangular windows, thereby greatly optimizing the flexibility of shifting and reducing boundary distortions. Hence, it can more effectively enhance image quality in super-resolution applications. This paper pushes the new frontiers of real-world image super-resolution further by extending the CFAT model to an improved GAN-based framework called IG-CFAT. We aim to effectively exploit the power of transformers for real-world image super-resolution through an improved degradation model, advanced discriminator, and other improvements. By addressing these areas, we intend to set new benchmarks for the applicability and effectiveness of super-resolution models in real-world applications. The main contribution of this work:

- 1- We extend the CFAT model into an improved GAN-based framework named IG-CFAT to effectively harness the performance of transformers for real-world image super-resolution.
- 2- By incorporating a semantic-aware discriminator [8], our model significantly enhances texture and detail quality by leveraging deep semantic understanding from pre-trained vision models.
- 3- We employ an adaptive degradation model [9,10]. This increases the robustness and adaptability of the model toward the variations and complex degradation patterns that occur in real-world scenarios.
- 4- To strike an optimal balance between fidelity and perceptual quality, we integrate wavelet losses to efficiently reconstruct high-frequency details, thus enhancing the visual quality of super-resolved images.

Building on these foundational enhancements, the IG-CFAT model is meticulously designed to tackle the specific challenges of real-world super-resolution. These advancements are expected to not only improve the model's robustness against various degradation patterns but also enhance its ability to deliver high-quality, perceptually pleasing images.

The rest of this paper is divided into four sections. In Section 2 we explore the research highlighting advancements in real-world image super-resolution. Section 3 describes the materials and methods covering degradation processes, model structures, and loss functions. Section 4 provides an analysis discussing the datasets used, implementation specifics, and comparing the IG-CFAT model with other state-of-the-art methods. Finally, Section 5 wraps up the paper, by summarizing our contributions and exploring directions, for research.

2. Related Work

2.1. Real-World Image Super-Resolution Methods

Classic real-world image super-resolution methods often use bicubic downsampling and traditional degradation models. These approaches frequently fall short when applied to real-world images that have diverse degradation patterns. The simplicity of these models limits their applicability as these methods are unable to adapt to scenarios where the degradation patterns are unpredictable, often leading to output images that lack realistic textures and intricate details.

GAN-based models such as BSRGAN [4] and Real-ESRGAN [5] have brought progress to the field of real-world image super-resolution by incorporating sophisticated degradation models. Recent research has further improved upon these advancements by proposing adaptive degradation models. One notable example is the adaptive degradation model in the DASR [9] model, which enables customized image restoration especially when dealing with the unpredictable nature of degradations, in real-world images.

SwinIR-GAN [2] and Real-HAT-GAN [6] are great examples of GAN-based models that employ transformer-based generators. These models used older degradation models. While these models benefit from the advanced characteristics of transformers, they haven't yet adopted the newest degradation models that could further improve their performance in complex real-world scenarios. Additionally, these models often rely on simpler discriminators, such as those based on U-Net architecture, which might not capture the detailed textures and complexities that more advanced discriminators can achieve. This suggests a need for more advanced discriminators to effectively utilize the strengths of transformers in super-resolution.

In our work, we aim to bridge these gaps by integrating several benefits from various designs to produce a comprehensive model.

2.2. Degradation Models

Most of the classic degradation models mainly simulate image degradation through blur, downsampling, noise, and JPEG compression. In many cases, such models cannot fully simulate the complex degradations images face in the real world, and this has caused suboptimal performance in real-world applications.

To address this weakness of classic degradation models, real-world degradation models were developed. For example, BSRGAN uses a sophisticated degradation model involving random shuffle blur, downsampling, and noise degradations. This is one of the first effective degradation models for handling heterogeneous, real-world degradations. Similarly, Real-ESRGAN adopted a high-order degradation modeling process that more accurately represents complex real-world degradations. Common artifacts such as ringing and overshoot, often overlooked in simpler models, are included. Improving these aspects, Real-ESRGAN will make the super-resolution process more robust and more effective, hence more practical for use in image restoration. Furthermore, the DASR model introduces an innovative degradation-adaptive super-resolution network that dynamically adjusts its parameters based on the estimated degradation of each input image. Such forms

of adaptability enable DASR to effectively handle images with varying levels of degradation, making it highly efficient and effective for real-world applications where the degradation pattern can change dramatically from one image to another.

To improve the effectiveness of our model in handling real-world degradations, we incorporate an adaptive degradation model inspired by DASR and StarSRGAN [10].

2.3. Discriminator Networks

Recently, some work has focused on improving the discriminator networks in GAN-based models for super-resolution. In this section, we discuss some critically influential improvements that have greatly enhanced the performance of discriminators.

In the ESRGAN [11] model, a relativistic discriminator [12] is used to evaluate the relative realism of images. This allows for a more subtle comparison between the reference and generated images, resulting in improved texture detail and realism within the super-resolved outputs. Park et al. [13] introduced a GAN-based SR framework having two discriminators; one of them works in the image domain, while the other one performs discrimination in the feature domain. The feature discriminator has dramatically improved the ability of the generator to produce structurally detailed high-frequency features without the appearance of artifacts. Such a dual-discriminator approach significantly improves perceptual quality. Real-ESRGAN adopted a U-Net-based discriminator [14] that integrates spectral normalization [15] to enhance local texture feedback while preserving global style assessment. Spectral normalization stabilizes training and reduces artifacts, allowing for a delicate balance between detail enhancement and artifact suppression. A-ESRGAN [16] uses a multi-scale attention U-Net-based discriminator. The attention mechanism allows focusing clearly on essential features, such as edges, resulting in sharper and clearer image details with reduced distortion. Moreover, the multiscale strategy enhances the ability to reconstruct fine textures and edge details more significantly.

In our IG-CFAT model, we harness the semantic-aware discriminator [8] (SeD) which substantially surpasses previous approaches.

3. Materials and methods

3.1. Degradation Model

Most of the recent GAN-based models have adopted the high-order degradation model of the Real-ESRGAN [5]. This model aims to simulate real-world image degradations by applying a predefined sequence of downsampling, blur, noise, and JPEG compression. This method is effective, however, it applies the degradation sequence uniformly to all images, which limits the model's ability to adapt to the unpredictable degradation patterns commonly found in real-world scenarios.

To overcome this problem, the IG-CFAT uses an adaptive degradation model [9,10]. This degradation model has significant merits compared to the high-order degradation model. As opposed to the high-order degradation model, which may not capture the wide varying range of real-world degradation patterns, the adaptive degradation model is more practical and balanced. This model segments the degradation space into three levels - D1, D2, and D3 – to simulate a wide variety of degradation scenarios that range from subtle to severe. Levels D1 and D2 are first-order degradation with small and large parameter ranges, respectively. Level D3 is second-order degradation. The probability distribution for the selection of degradation levels is [0.3, 0.3, 0.4] for more balanced performance. This adaptive degradation model enables the IG-CFAT model to generalize better on diverse degradation scenarios with improved performance.

3.2. Networks Architecture

3.2.1. Generator Network

The architecture of the generator is the same as in the original CFAT model [7]. Previous transformer-based models, which rely on overlapping rectangular shifted windows, often suffer from boundary distortion and limited unique shifting modes. To address these

problems, CFAT incorporates a novel non-overlapping triangular window technique that works simultaneously with rectangular windows. This method can reduce distortions at the boundaries and give it access to more varieties in shifting modes. Moreover, CFAT combines triangular-rectangular window-based local attention with a channel-based global attention technique to further improve performance. As a result, the CFAT structure leverages the power of transformers more effectively. Therefore, it is an ideal choice to be used as a generator within our framework.

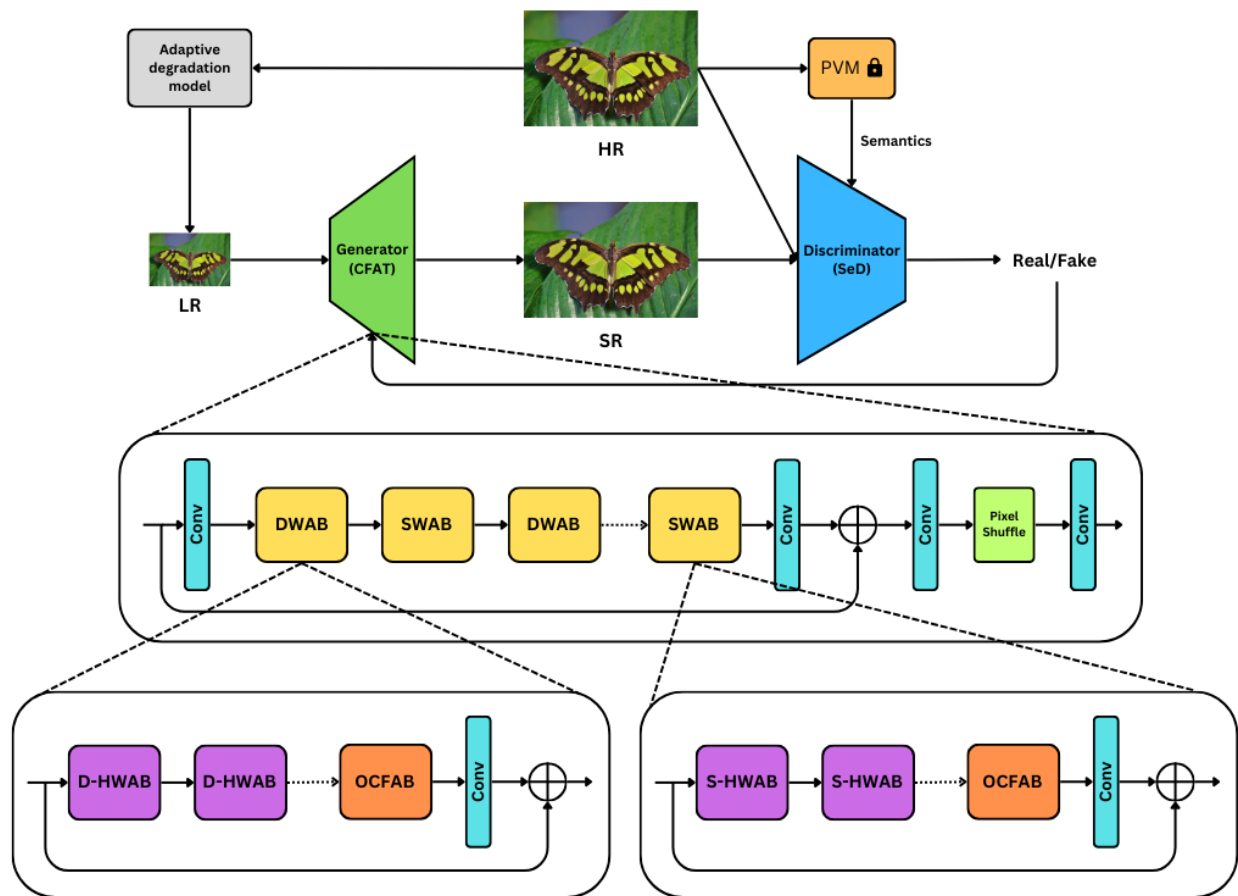


Figure 1. The overall architecture of IG-CFAT.

The CFAT model has a complex architecture, including Dense Window Attention Blocks (DWAB) and Sparse Window Attention Blocks (SWAB). These blocks utilize both rectangular and triangular window attention units for detailed feature extraction. The

Overlapping Cross Fusion Attention Block (OCFAB) enhances the performance by overlapping features across neighboring windows and establishing cross-attention between them, using a sliding window technique. Moreover, Channel-Wise Attention Block (CWAB) utilizes depthwise-pointwise convolutions to reduce the squeeze factor and improve performance. The CFAT architecture is shown in Figures 1 and 2. More details about CFAT architecture can be found in [7].

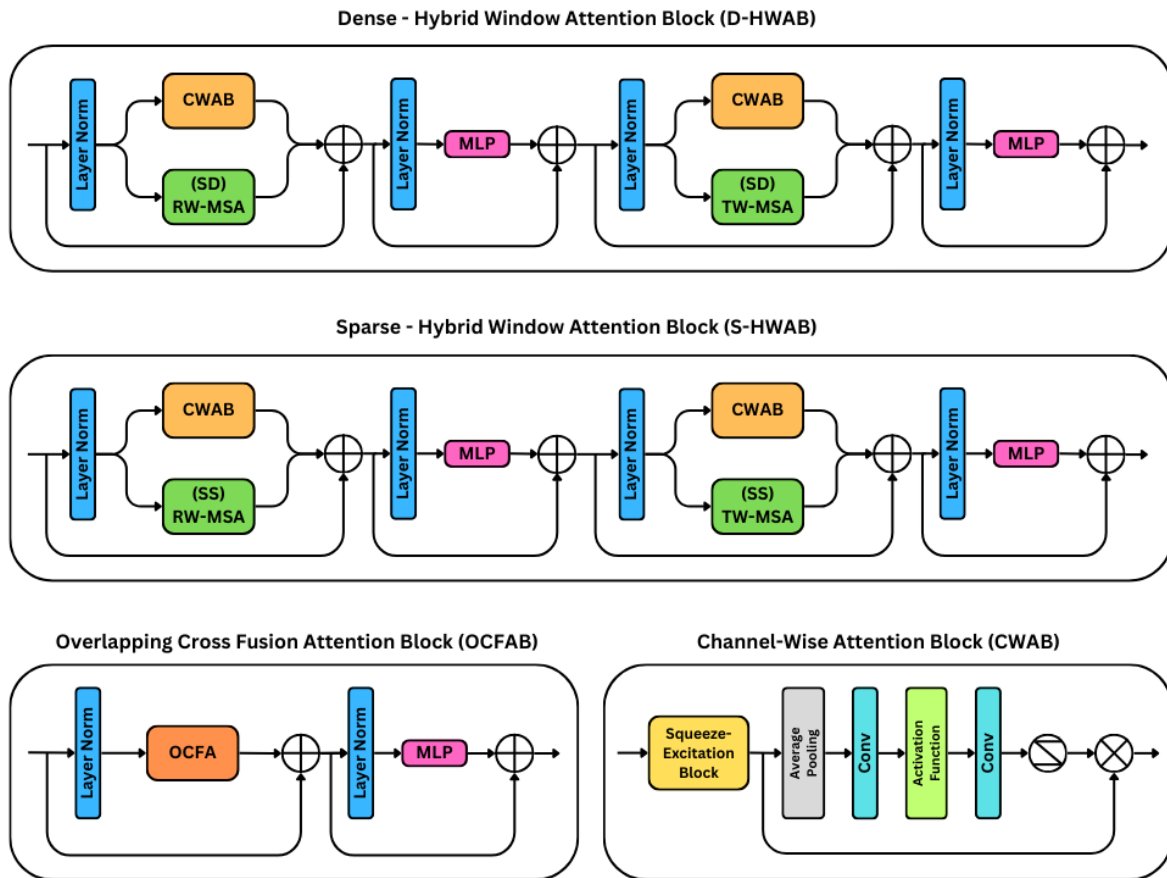


Figure 2. Internal architecture of some blocks, including D-HWAB, S-HWAB, OCFAB, and CWAB.

3.2.2. Discriminator Network

Discriminators in conventional GAN-based models for image super-resolution mainly evaluate the general authenticity of super-resolved images by measuring the distribution distance between generated and reference images. This method is effective in

distinguishing real images from fake ones, however, it primarily evaluates texture and detail at a coarse-grained level. Most discriminators of this kind ignore the semantics of the image. This approach may result in images that are of high resolution, but miss the true essence and context of the original scenes; it might lead to outputs without realistic textures and accurate details.

To overcome these limitations, our model employs the semantic-aware discriminator [8] (SeD). Different from previous models, SeD utilizes the semantics of images as a condition; hence, it can perform fine-grained analysis of the texture and details. This is achieved by extracting semantic information from the middle features of widely used pre-trained vision models (PVMs). In this way, the discriminator evaluates the authenticity of textures and respects the semantic integrity of the image, resulting in more precise and context-aware texture generation.

In [8], the authors incorporated SeD into two popular discriminators, including a patch-wise discriminator and a pixel-wise discriminator. In our work, we utilize the pixel-wise semantic-aware discriminator integrated with a U-Net architecture (SeD + U). The SeD improves texture realism by leveraging image semantics, leading to more photo-realistic and pleasing super-resolved images. These improvements make the SeD a crucial component in our IG-CFAT model, significantly contributing to better performance in real-world image super-resolution tasks.

3.3. Loss Functions

In most GAN-based super-resolution models, a typical strategy includes the use of a combination of L1 loss, perceptual loss, and GAN loss. L1 loss minimizes the average absolute differences between the predicted and true pixel values to increase overall fidelity. Moreover, perceptual loss encourages perceptually relevant characteristics by aligning features extracted from pre-trained networks. GAN loss helps to produce images that are indistinguishable from real images and improves textural realism.

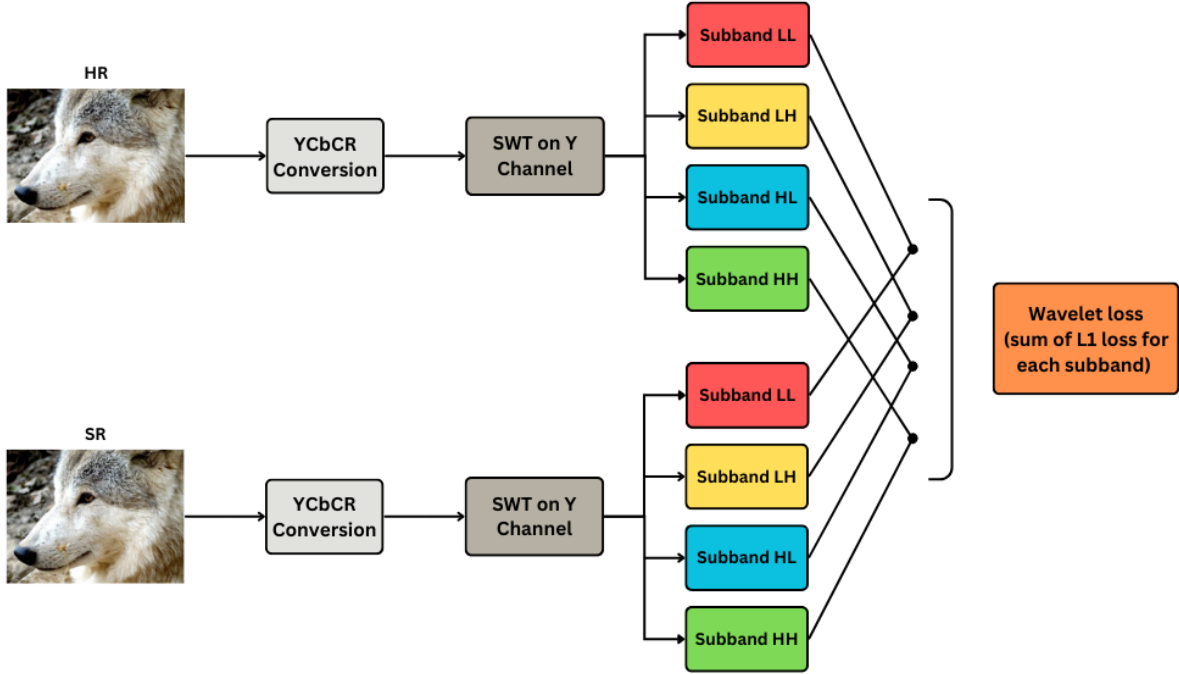


Figure 3. Wavelet loss computation diagram.

To further capture high-frequency details essential for visually pleasing results, we extend the loss functions of the GAN-based models by integrating wavelet losses. Inspired by [17], the images are first converted from the RGB color space to the YCbCr color space. Next, the Stationary Wavelet Transform (SWT) is used to decompose the Y channel into its frequency subbands. The SWT decomposes the Y channel of the image into one low-frequency (LF) subband, called LL, and multiple high-frequency (HF) subbands, named LH, HL, and HH. Wavelet loss function implementation is as follows:

$$L_{SWT} = \mathbb{E} \left[\sum_j \lambda_j \left\| \text{SWT}(G(x))_j - \text{SWT}(y)_j \right\|_1 \right]$$

where G denotes the SR model, λ_j are scaling factors that balance the importance of each subband, x is the LR input image, and y is the ground truth image. The loss is calculated by evaluating the L1 fidelity loss between the SWT subbands of the generated images and

the ground truth images. This process involves measuring the L1 distance between corresponding subbands to assess fidelity across different frequency components. Figure 3 provides a detailed illustration of how the wavelet loss is computed.

Wavelet loss is integrated with the conventional L1 loss, perceptual loss, and GAN loss to determine the total loss of the model. The incorporation of wavelet losses offers multiple advantages. First, it enhances the model's ability to reconstruct high-frequency details. Second, this approach improves the quantitative metrics such as Peak Signal-to-Noise Ratio (PSNR) and boosts the perceptual quality of the images, addressing some of the common shortcomings of pixel-wise losses.

4. Experiments

4.1. Datasets

To train our model, we use the DIV2K [18] and Flickr2K [19] datasets. DIV2K includes 800 images, and Flickr2K provides 2,650 images. We utilize original images from the DIV2K and Flickr2K datasets without employing any data augmentation techniques. This resulted in a total of 3450 training images. For testing our model, we use the DIV2K validation set. We exclude one image from the DIV2K validation set as its height of 816 pixels falls below our threshold of 1000 pixels. We generate ground truth images by resizing original images to either 2000x1000 or 1000x2000 using Lanczos interpolation. These ground truth images are then downsampled by a factor of four using Bicubic interpolation to produce their LR counterparts.

4.2. Implementation Details

We first train our generator with L1 loss and adaptive degradation model for 86300 iterations, equal to 100 epochs. Then the pre-trained generator is integrated into our GAN framework and fine-tuned for 43150 iterations, equal to 50 epochs. In both stages, we use

the Adam optimizer and maintain a learning rate of 0.0001. To improve perceptual quality, we utilize the unsharp masking (USM) technique. This process, including training and fine-tuning phases, is executed on an RTX 3090 GPU, with a batch size of 4.

4.3. Comparison with State-of-the-Art Methods

To evaluate the performance of our proposed model, we conduct extensive comparisons with SOTA real-world image super-resolution models including, Real-ESRGAN, A-ESRGAN, and Real-HAT-GAN. We use the officially released versions of these models for comparison. Compared to the training of our IG-CFAT model, these versions were trained with a much larger number of iterations.

4.3.1. Quantitative Results

We use Peak Signal-to-Noise Ratio (PSNR) and Learned Perceptual Image Patch Similarity (LPIPS) metrics to evaluate the performance of the models. The quantitative results are summarized in Table 1. Moreover, the training datasets used for each model are detailed in Table 1. The quantitative assessment clearly illustrates the superior performance of the IG-CFAT model. With a PSNR of 26.81, IG-CFAT surpasses all compared models in fidelity. In terms of the LPIPS metric, our model also leads with the lowest score of 0.175. This demonstrates that the images generated by IG-CFAT have superior perceptual quality.

Model	Training dataset	PSNR	LPIPS
Real-ESRGAN	DF2K + OST	24.39	0.222
A-ESRGAN	DIV2K	22.75	0.274
Real-HAT-GAN	DF2K + OST	25.02	0.203
IG-CFAT	DF2K	26.81	0.175

Table 1. Quantitative comparison between IG-CFAT and GAN-based SR methods.

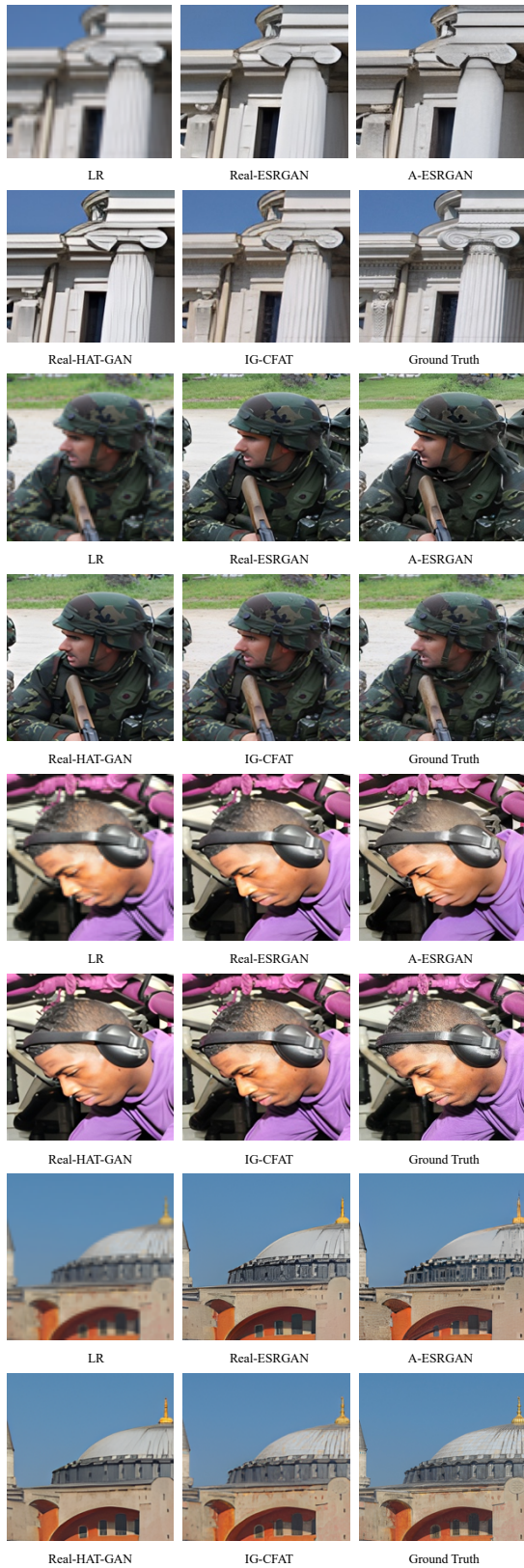


Figure 4. Visual comparison of IG-CFAT with GAN-based SR methods. (Zoom in for a better view)

4.3.2. Qualitative Results

The qualitative results are presented in Figure 4. They illustrate the superior performance of the IG-CFAT model. IG-CFAT demonstrates a notable improvement in reconstructing fine details. For example, in the first image, IG-CFAT effectively restores the column's details and textures and makes it closely resemble the original structure. Moreover, the images restored by IG-CFAT exhibit enhanced clarity. In the second and third images, IG-CFAT renders the soldier's and the man's facial features with exceptional clarity and detail. Furthermore, IG-CFAT excels in preserving fine details and textures. In the last picture, one can see the designs and textures of the dome.

Quantitative and qualitative results demonstrate that IG-CFAT sets new benchmarks in the field of real-world image super-resolution. The combination of the robust and adaptable performance of the IG-CFAT model makes it a promising solution for practical applications that require high-quality images, including medical imaging, underwater imaging, surveillance, and consumer multimedia. For employing real-world image super-resolution models in specific fields, it is advisable to fine-tune them on targeted datasets. For example, fine-tuning real-world image super-resolution models on medical image datasets improves results as shown in [20], and similar benefits are seen with underwater images as demonstrated in [21].

5. Conclusion and Future Directions

This paper presented IG-CFAT, an improved GAN-based model to effectively exploit the performance of transformers for real-world image super-resolution. We employed a semantic-aware discriminator that evaluates the realism of super-resolved images and their semantic coherence, resulting in more accurate and perceptually pleasing outputs. Furthermore, the adaptive degradation model improves the model's robustness and generalization capabilities in handling real-world degradations. Moreover, using wavelet losses enables the model to better reconstruct high-frequency details and generate higher

perceptual quality images. By incorporating these advancements, IG-CFAT significantly outperforms previous SOTA models in both quantitative and qualitative metrics.

One of the future directions is to investigate the patch-wise semantic-aware discriminator (SeD + P), which may improve the performance of the model. In addition, using the LSDIR [22] dataset can improve performance and generalization capabilities in image restoration tasks. The LSDIR dataset is a large-scale collection of high-resolution images, specifically prepared for image restoration tasks. Further refinements and extensions of the degradation model might also be considered to broaden the applicability of real-world image super-resolution models.

References

- [1] Goodfellow, I.J., Pouget-Abadie, J., Mirza, M., Xu, B., Warde-Farley, D., Ozair, S., Courville, A.C., & Bengio, Y. (2014). Generative Adversarial Nets. NIPS.
- [2] Liang, J., Cao, J., Sun, G., Zhang, K., Van Gool, L., & Timofte, R. (2021). Swinir: Image restoration using swin transformer. In Proceedings of the IEEE/CVF international conference on computer vision (pp. 1833-1844).
- [3] Chen, X., Wang, X., Zhou, J., Qiao, Y., & Dong, C. (2023). Activating more pixels in image super-resolution transformer. In Proceedings of the IEEE/CVF conference on computer vision and pattern recognition (pp. 22367-22377).
- [4] Zhang, K., Liang, J., Van Gool, L., & Timofte, R. (2021). Designing a practical degradation model for deep blind image super-resolution. In Proceedings of the IEEE/CVF International Conference on Computer Vision (pp. 4791-4800).
- [5] Wang, X., Xie, L., Dong, C., & Shan, Y. (2021). Real-esrgan: Training real-world blind super-resolution with pure synthetic data. In Proceedings of the IEEE/CVF International Conference on Computer Vision (pp. 1905-1914).
- [6] Chen, X., Wang, X., Zhang, W., Kong, X., Qiao, Y., Zhou, J., & Dong, C. (2023). Hat: Hybrid attention transformer for image restoration. arXiv preprint arXiv:2309.05239.
- [7] Ray, A., Kumar, G., & Kolekar, M. H. (2024). CFAT: Unleashing TriangularWindows for Image Super-resolution. arXiv preprint arXiv:2403.16143.
- [8] Li, B., Li, X., Zhu, H., Jin, Y., Feng, R., Zhang, Z., & Chen, Z. (2024). SeD: Semantic-Aware Discriminator for Image Super-Resolution. arXiv preprint arXiv:2402.19387.
- [9] Wang, L., Wang, Y., Dong, X., Xu, Q., Yang, J., An, W., & Guo, Y. (2021). Unsupervised degradation representation learning for blind super-resolution. In Proceedings of the IEEE/CVF Conference on Computer Vision and Pattern Recognition (pp. 10581-10590).
- [10] Vo, K. D., & Bui, L. T. (2023). StarSRGAN: Improving real-world blind super-resolution. arXiv preprint arXiv:2307.16169.
- [11] Wang, X., Yu, K., Wu, S., Gu, J., Liu, Y., Dong, C., ... & Change Loy, C. (2018). Esrgan: Enhanced super-resolution generative adversarial networks. In Proceedings of the European conference on computer vision (ECCV) workshops (pp. 0-0).
- [12] Jolicoeur-Martineau, A. (2018). The relativistic discriminator: a key element missing from standard GAN. arXiv preprint arXiv:1807.00734.
- [13] Park, S., Son, H., Cho, S., Hong, K.S., & Lee, S. (2018). SRFeat: Single Image Super-Resolution with Feature Discrimination. European Conference on Computer Vision.

- [14] Schonfeld, E., Schiele, B., & Khoreva, A. (2020). A u-net based discriminator for generative adversarial networks. In Proceedings of the IEEE/CVF conference on computer vision and pattern recognition (pp. 8207-8216).
- [15] Miyato, T., Kataoka, T., Koyama, M., & Yoshida, Y. (2018). Spectral normalization for generative adversarial networks. arXiv preprint arXiv:1802.05957.
- [16] Wei, Z., Huang, Y., Chen, Y., Zheng, C., & Gao, J. (2021). A-ESRGAN: Training Real-World Blind Super-Resolution with Attention U-Net Discriminators. arXiv preprint arXiv:2112.10046.
- [17] Korkmaz, C., & Tekalp, A. M. (2024). Training Transformer Models by Wavelet Losses Improves Quantitative and Visual Performance in Single Image Super-Resolution. arXiv preprint arXiv:2404.11273.
- [18] Agustsson, E., & Timofte, R. (2017). Ntire 2017 challenge on single image super-resolution: Dataset and study. In Proceedings of the IEEE conference on computer vision and pattern recognition workshops (pp. 126-135).
- [19] Timofte, R., Agustsson, E., Van Gool, L., Yang, M. H., & Zhang, L. (2017). Ntire 2017 challenge on single image super-resolution: Methods and results. In Proceedings of the IEEE conference on computer vision and pattern recognition workshops (pp. 114-125).
- [20] Aghelan, A., & Rouhani, M. (2022). Fine-tuned Generative Adversarial Network-based Model for Medical Image Restoration. arXiv preprint arXiv:2211.00577.
- [21] Aghelan, A., & Rouhani, M. (2023, November). Underwater image super-resolution using generative adversarial network-based model. In 2023 13th International Conference on Computer and Knowledge Engineering (ICCKE) (pp. 480-484). IEEE.
- [22] Li, Y., Zhang, K., Liang, J., Cao, J., Liu, C., Gong, R., ... & Van Gool, L. (2023). Lsdir: A large scale dataset for image restoration. In Proceedings of the IEEE/CVF Conference on Computer Vision and Pattern Recognition (pp. 1775-1787).