

ViDSOD-100: A New Dataset and A Baseline Model for RGB-D Video Salient Object Detection

Junhao Lin¹, Lei Zhu^{1,2}*, Jiaxing Shen⁴, Huazhu Fu⁵, Qing Zhang⁶,
Liansheng Wang³

¹The Hong Kong University of Science and Technology (Guangzhou).

²The Hong Kong University of Science and Technology.

³School of Informatics, Xiamen University.

⁴Department of Computing and Decision Sciences, Lingnan University.

⁵Agency for Science, Technology and Research (A*STAR), the Institute of High Performance Computing (IHPC), Singapore.

⁶School of Data and Computer Science, Sun Yat-Sen University .

*Corresponding author(s). E-mail(s): leizhu@ust.hk;

Abstract

With the rapid development of depth sensor, more and more RGB-D videos could be obtained. Identifying the foreground in RGB-D videos is a fundamental and important task. However, the existing salient object detection (SOD) works only focus on either static RGB-D images or RGB videos, ignoring the collaborating of RGB-D and video information. In this paper, we first collect a new annotated RGB-D video SOD (ViDSOD-100) dataset, which contains 100 videos within a total of 9,362 frames, acquired from diverse natural scenes. All the frames in each video are manually annotated to a high-quality saliency annotation. Moreover, we propose a new baseline model, named attentive triple-fusion network (ATF-Net), for RGB-D video salient object detection. Our method aggregates the appearance information from an input RGB image, spatio-temporal information from an estimated motion map, and the geometry information from the depth map by devising three modality-specific branches and a multi-modality integration branch. The modality-specific branches extract the representation of different inputs, while the multi-modality integration branch combines the multi-level modality-specific features by introducing the encoder feature aggregation (MEA) modules and decoder feature aggregation (MDA) modules. The experimental findings conducted on both our newly introduced ViDSOD-100 dataset and the well-established DAVSOD dataset highlight the superior performance of the proposed ATF-Net. This performance enhancement is demonstrated both quantitatively and qualitatively, surpassing the capabilities of current state-of-the-art techniques across various domains, including RGB-D saliency detection, video saliency detection, and video object segmentation. Our data and our code are available at [ViDSOD-100](#).

Keywords: RGB-D video dataset, neural networks, salient object detection

1 Introduction

Salient object detection (SOD) aims to automatically detect the most visually distinguishable

foreground from images. It benefits diverse vision tasks, including image understanding, action

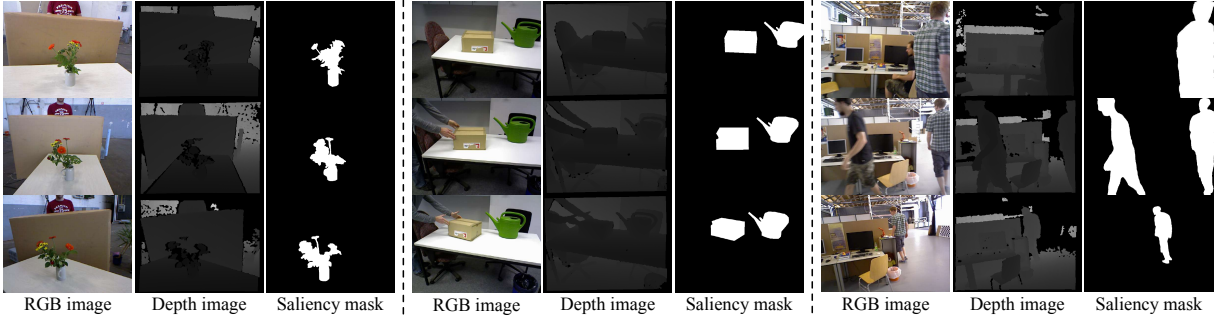


Fig. 1 The examples of proposed RGB-D video salient object detection dataset (ViDSOD-100) with pixel-level annotations.

recognition, person re-identification, and semi-supervised/unsupervised learning. Due to the availability of depth sensors in modern smartphones, depth maps are capable to provide geometric and spatial information and are robust to the lighting changes, thereby enhancing SOD performance (Cong et al, 2019a; Zhang et al, 2021a; Zhou et al, 2021). In recent years, exploration of additional depth data for SOD via so-called RGB-D saliency detectors has attracted significant research attentions. Early RGB-D salient object detection (SOD) methods often examined hand-crafted features from a pair of RGB-D images, but tended to fail in handling complex scenes, since the assumptions of these heuristic priors are not always correct. Later, convolutional neural networks (CNNs) (Liu et al, 2019; Chen and Li, 2018; Piao et al, 2019; Fan et al, 2020a; Fu et al, 2020; Zhang et al, 2020b; Fan et al, 2020b; Li et al, 2020; Zhang et al, 2021a; Zhou et al, 2021) have been developed to learn the complementary information between the RGB image and the depth image for RGB-D SOD and achieved superior performance over traditional methods based on hand-crafted features. However, these CNN-based methods are trained on RGB-D images and thus degrade the SOD performance in detecting salient objects of dynamic videos due to a lack of temporal information encoded in video frames. Although many video SOD networks (Wang et al, 2015a; Chen et al, 2017; Wang et al, 2017b; Li et al, 2019; Cong et al, 2019b; Ren et al, 2020; Zhao et al, 2021; Zhang et al, 2021c) learned spatio-temporal information for detecting salient objects, they are trained on annotated RGB videos, which totally neglect the depth data. And much few works

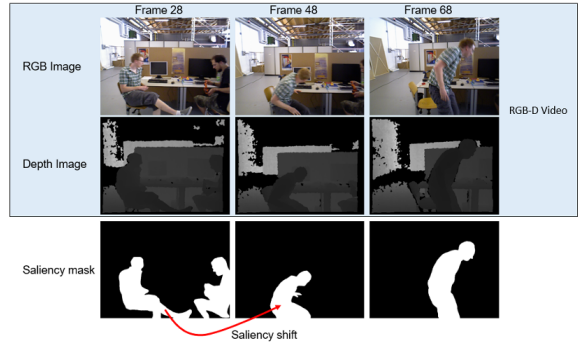


Fig. 2 Saliency shift example of our dataset (ViDSOD-100).

have been explored to learn a CNN for addressing the task of RGB-D video saliency detection, which aims to identify salient objects of each video frame by leveraging paired RGB and depth video frames. The reason behind is a lack of an annotated dataset for RGB-D video saliency detection. Unlike salient object detection (SOD) for static RGB-D images, salient object detection in dynamic RGB-D videos presents a greater challenge. The reason behind is that salient object(s) of different frames of the same video may dynamically vary in RGB-D videos, which is often named saliency shift (Fan et al, 2019). As illustrated in Fig. 2, you can observe that from frame 28 to frame 48, the saliency in the RGB-D video transitions from two persons to just one person. In this work, **first**, we collect a new video salient object detection (ViDSOD-100) dataset, which contains 100 videos with 9,362 video frames and 390 seconds duration, covering diverse salient object categories, and different salient object numbers. All the video frames are carefully annotated with a

high-quality pixel-level salient object mask. *To the best of our knowledge, this is the first learning-oriented dataset for RGB-D video salient object detection*, which could facilitate the community to explore further in this field. **Second**, we develop a new baseline model, attentive triple-fusion network (ATF-Net), for this task by fusing the appearance information of the input RGB image, the temporal information of an estimated flow map, and the geometry information of the input depth image. In our ATF-Net, we devise three modality-specific branches to obtain multi-level CNN features learned from a depth map, a motion map, and a RGB image, and a multi-modality integration branch to aggregate three kinds of features for leveraging the temporal information and the complementary information of the depth and RGB modalities. Then, a modality-specific encoder feature aggregation (MEA) module is devised to fuse encoder features of three images, and a modality-specific decoder feature aggregation (MDA) is designed to integrate three kinds of decoder features for detecting salient objects. **Finally**, we present a comprehensive evaluation of 19 state-of-the-art models on our ViDSOD-100 dataset, and experimental results show that our network clearly outperforms all the competitors, including still-image RGB-D SOD methods, video saliency detection methods and video object segmentation methods. *We will release the collected dataset, our code, and our results upon the publication of this work.*

2 Related Works

Image salient object detection. (SOD) In recent years, remarkable strides on salient object detection have been achieved by employing UNet-like feature aggregation architectures to attain outstanding performance; please refer to a recent work (Wang et al, 2023) for a detailed review on image SOD. EGNNet (Zhao et al, 2019) utilizes complementary information of the salient edges and salient objects for detecting salient objects of the input image. CANet (Ren et al, 2021) establishes cohesive links between each pixel and its immediate global and local contexts to identify salient objects. ICON (Zhuge et al, 2023) takes a pioneering stance to introduce a variety of feature aggregation techniques, channel

enhancement for data integrity, and part-whole verification mechanisms for SOD. MENet (Wang et al, 2023) adopted the boundary sensibility, content integrity, iterative refinement, and frequency decomposition mechanisms for SOD. Although these works have achieved superior performance for image salient object detection, they tend to fail in video RGB-D SOD due to ignore the depth information, and the temporal information of video frames.

RGB-D image salient object detection endeavors to detect salient objects within intricate scenes by harnessing additional geometric information derived from depth images. Chen et al. (2018) presented complementarity-aware fusion (CA-Fuse) modules, while Piao et al. (2019) developed depth refinement blocks to progressively fuse RGB features and depth features. Fan et al. (2020a) filtered out the noise of the depth map by a depth-depurator network for a better cross-modality feature integration. Zhang et al. (2020b) utilized conditional variational autoencoders to approximate human annotation uncertainty and then embedded it into a probabilistic RGB-D saliency detection network. Li et al. (2020) fused low-level, middle-level, and high-level RGB and depth features by adopting a three-level Siamese encoder-decoder structure for saliency detection in still RGB-D images. Zhang et al. (2021a) learned mutual information to explicitly learn the multi-modal information between RGB data and depth data for RGB-D saliency detection. Zhou et al. (2021) designed a specificity-preserving network (SP-Net) to utilize both the shared information and modality-specific properties for RGB-D saliency detection in still images. Recently, Lee et al. (2022) proposed a novel superpixel prototype sampling network that enhances the model’s robustness to inconsistencies between RGB images and depth maps while also removing the influence of non-salient objects. Cong et al. (2022) proposed a method that facilitates cross-modality interaction and refinement through the use of attention-guided integration and refinement units in the encoder, decoder, and middleware stages. Although working well in static images, these RGB-D saliency detectors almost neglect the temporal video information, thereby hindering the generalization capability for RGB-D video salient object detection.

Video Salient Object Detection (VSOD)

utilizes both temporal and spatial information to detect salient objects of RGB videos (Fan et al, 2019; Wang et al, 2015a; Chen et al, 2017; Ren et al, 2020; Zhao et al, 2021). Wang et al. (2017b) developed a pioneering fully convolutional network for detecting salient objects in videos. Li et al. (2019) presented a multi-task motion guided network to integrate still RGB image and an optical flow image for video salient object detection. Yan et al. (2019) embedded a non-locally enhanced recurrent module and pseudo-labels into a VSOD network (i.e., PCRNet). Gu et al. (2020) designed a network (i.e., PyramidCSA) grouping a set of Constrained Self-Attention (CSA) operations in Pyramid structures to capture motion information of multi-scale objects at various speeds for identifying salient objects of RGB videos. Zhang et al. (2021c) addressed VSOD by developing a dynamic context-sensitive filtering network (DCFNet) equipped with a dynamic context-sensitive filtering module (DCFm) and a bidirectional dynamic fusion strategy. Although achieving dominated results in VSOD, these networks mainly extracted spatio-temporal information from only RGB videos. Since depth maps provide geometric and spatial information, the saliency detection accuracy can be enhanced by incorporating depth videos.

Video Object Segmentation (VOS) aims to identify primary foreground objects of videos. Oh et al. (2019) utilize a memory network (STM) to read relevant past frames stored in a memory to refine features of the current video frame for resolving VOS. Cheng et al. (2022) developed a memory potentiation algorithm that systematically consolidates actively used working memory elements into long-term memory. This approach helps to prevent memory explosion and minimize performance decay in long-term prediction. Liu et al. (2022b) conducted an evaluation of the segmentation quality of each frame in their study. This approach allowed for the selective storage of accurately segmented frames in the memory bank, which served to prevent the accumulation of errors. Compared to these networks trained on only RGB videos, our work focuses on saliency detection in RGB-D videos, where additional depth data provides complementary information of RGB videos for saliency detection.

3 ViDSOD-100 Dataset

With the rapid development of Salient Object Detection (SOD), numerous datasets have been introduced. There are a plenty of SOD datasets (Liu et al, 2010; Alpert et al, 2011; Achanta et al, 2009; Movahedi and Elder, 2010; Cheng et al, 2014a; Shi et al, 2015; Li et al, 2014b; Li and Yu, 2015; Wang et al, 2017a; Zhang et al, 2015; Li et al, 2017; Xia et al, 2017; Fan et al, 2018; Zhang et al, 2019; Zeng et al, 2019), which are highly representative and widely used for training or benchmarking or collected with specific properties. However, none of these datasets is for RGB-D video. To address this, we collect a new dataset for RGB-D video salient object detection, named ViDSOD-100. Our dataset includes 100 videos with diverse content, varying length, and pixel-level annotations. Some examples are shown in Figure 1. We will provide more details of our ViDSOD-100 from the following key aspects.

3.1 Data Collection

To provide a solid basis for RGB-D video salient object, the dataset should (a) cover diverse realistic scenes and (b) contain sufficient challenging cases. The salient object would change throughout some of the videos. As shown in Table 1, the videos we collected are from 5 widely-used RGB-D video datasets (i.e., URFD (Kwolek and Kepski, 2014), HMP3D (Lai et al, 2014), BackFlow (Wang and Hauser, 2019), RGB-D SLAM (Sturm et al, 2012), and PTB (Song and Xiao, 2013)). These video datasets are not originally designed for salient object detection (i.e., PTB (Song and Xiao, 2013) is proposed for visual object tracking), although they have the corresponding depth map in every frame. We then manually trim the videos to ensure each frame has at least one salient object and remove dark-screen transitions. Eventually, our RGB-D video dataset contains 100 video sequences, with a total of 9,362 frames. The longest video contains 100 frames, and the shortest contains 20 frames.

For each video frame, we provide a pixel-level binary saliency mask manually. In the realistic scenario, human observers' attention would change according to scenario changes (see examples in Figure 1). Moreover, the number of salient objects in a video is not limited to one and would change

Table 1 Video sources of our ViSOD-100 dataset.

Source	#Videos	#Frames	Resolution	Original task
URFD (Kwolek and Kępski, 2014)	4	370	640×480	Human fall detection
HMP3D (Lai et al, 2014)	14	1400	640×480	3D scene labeling
BackFlow (Wang and Hauser, 2019)	13	1300	640×480	3D object scanning
PTB (Song and Xiao, 2013)	33	2791	640×480	Visual object tracking
RGB-D SLAM (Sturm et al, 2012)	36	3494	640×480	RGB-D SLAM systems evaluation

Table 2 Statistic Analysis of existing benchmark SOD datasets and our ViSOD-100 dataset. **#Vi.:** number of videos. **#Obj.:** number of salient objects in the images/video frames. **#Labeled:** number of labeled images or frames.

Dataset	Year	Pub.	Type	#Vi.	#Labeled	#Obj.	Resolution (H×W)	
Image-based	STERE (Niu et al, 2012)	2012	CVPR	RGB-D Image	0	1,000	1	[251,1200] × [222,900]
	GIT (Ciptadi et al, 2013)	2013	BMVC	RGB-D Image	0	8	> 1	640 × 480
	LFSO (Li et al, 2014a)	2014	CVPR	RGB-D Image	0	1,00	1	360 × 360
	DES (Cheng et al, 2014b)	2014	ICIMCS	RGB-D Image	0	135	1	640 × 480
	NLPR (Peng et al, 2014)	2014	ECCV	RGB-D Image	0	1,000	> 1	640 × 480, 480 × 640
	NJU2K (Ju et al, 2014)	2014	ICIP	RGB-D Image	0	1,985	1	[231,1213] × [274,828]
	SSD (Zhu and Li, 2017)	2017	ICCV-W	RGB-D Image	0	80	> 1	960 × 1080
	SIP (Fan et al, 2020a)	2020	TNNLS	RGB-D Image	0	929	> 1	992 × 744
	COME15K (Zhang et al, 2021b)	2021	ICCV	RGB-D Image	0	15,625	> 1	[360,1280] × [360,1280]
	ReDWeb-S (Liu et al, 2022a)	2022	TPAMI	RGB-D Image	0	3,179	> 1	[132,772] × [153,923]
Video-based	SegV2 (Li et al, 2013)	2013	ICCV	RGB Video	14	1,065	> 1	[212,360] × [259,640]
	ViSal (Wang et al, 2015b)	2015	TIP	RGB Video	17	193	> 1	[240,288] × [320,512]
	DAVIS (Perazzi et al, 2016)	2016	CVPR	RGB Video	50	3,455	> 1	[900,1080] × [1600,1920]
	VOS (Li et al, 2018)	2018	TIP	RGB Video	200	7,467	> 1	[321,800] × [408,800]
	DAVSOD (Fan et al, 2019)	2019	CVPR	RGB Video	226	23,938	> 1	360 × 640
	ViDSOD-100 (ours)	-	-	RGB-D Video	100	9,362	> 1	480 × 640

throughout the video. Five human annotators are pretrained and instructed to carefully annotate all the salient objects by tracing the object boundaries. Then, two viewers are assigned to have an in-depth check to ensure that the salient object in every frame is annotated correctly.

We split the dataset into a training set and a test set according to the ratio of 6:4 and make sure challenging cases are presented in both training and test sets. This can facilitate the consistent use of and fair comparison of different methods on our dataset.

3.2 Dataset Features and Statistics

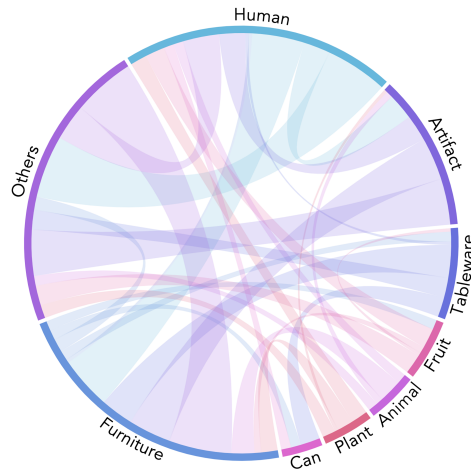
Sufficient Salient Object Diversity. In our dataset, the salient object comprises nine main categories: Human, Animal, Furniture, Tableware, Can, Fruit, Plant, Artifact, and Others. Figure 3 (a) and (c) show these categories (9 main classes with 43 sub-classes) and their mutual dependencies, respectively. Besides, 30 videos have more than one salient object, making this dataset challenging for the video salient object detection task.

Dateset distribution. The ratio distribution of salient object sizes in frames are 0.243% to 100% (avg.: 11.063%), as shown in Figure 3 (b), yielding a broad range. Figure 3 (b) shows the distribution of other three public SOD benchmark datasets. From these figures, we can find that the salient object sizes in COME15K (Zhang et al, 2021b), ReDWeb-S (Liu et al, 2022a), and DAVSOD (Fan et al, 2019) are predominantly concentrated within the range of 0 to 0.3. Moreover, Interestingly, our ViDSOD-100 dataset exhibited a frequency distribution, which is highly similar to that of the DAVSOD (Fan et al, 2019) dataset.

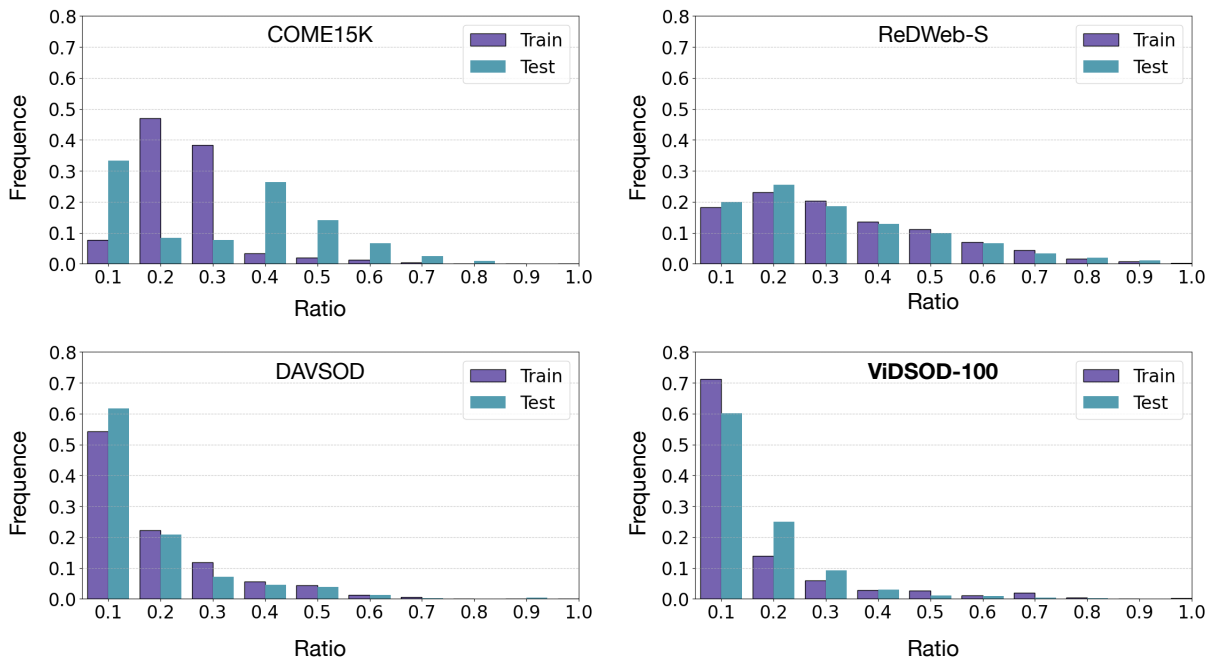
Motion of Camera and Objects. As a video dataset, our ViDSOD-100 contains sufficient motion diversity for objects and cameras, mainly divided into three main types: (a) 35 videos have the salient object stay relatively static to the background the camera moves. (b) 53 videos have the salient object move, but the camera stays relatively static. (c) In the remaining 12 videos, the moving object exhibits drastic changes and/or motion blur led by camera shaking or movement.



(a)



(c)



(b)

Fig. 3 Statistics of the proposed ViDSOD-100. (a) Salient object categories. (b) Distribution of salient object ratios across our ViDSOD-100 dataset and three other expansive VOD datasets. (c) Co-emergence of different categories in (a).

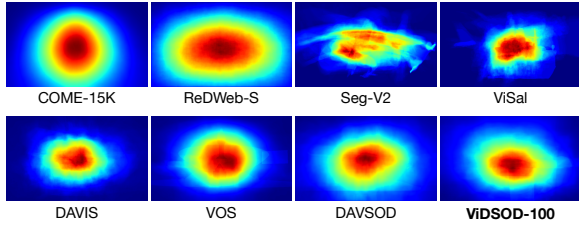


Fig. 4 Center bias of our ViDSOD-100 and existing SOD datasets.

Center Bias. We visualize the center bias by computing the average saliency map across all video frames for each dataset. From the Fig. 4, we can find that our center bias distribution closely aligns with that of DAVSOD (Fan et al, 2019).

3.3 Dataset Comparisons

Table 2 compares the proposed ViDSOD dataset against existing datasets, including widely-used eight RGB-D image saliency object detection (SOD) datasets and five RGB video SOD datasets.

RGB-D Image SOD. There are ten benchmark datasets for RGB-D image SOD, and they are STERE (Niu et al, 2012), GIT (Ciptadi et al, 2013), LFS (Li et al, 2014a), DES (Cheng et al, 2014b), NLPR (Peng et al, 2014), NJU2K (Ju et al, 2014), SSD (Zhu and Li, 2017), SIP (Fan et al, 2020a), COME15K (Zhang et al, 2021b) and ReDWeb-S (Liu et al, 2022a). Among them, STERE (Niu et al, 2012) was the first collection of stereoscopic photos in the field of RGB-D Image SOD. GIT (Ciptadi et al, 2013), LFS (Li et al, 2014a), and DES (Cheng et al, 2014b) are three small-sized datasets. Although the RGB-D paired images in these datasets are severely restricted by their small scales or low spatial resolution. To overcome these barriers, Peng et al. 2014 presented a NLPR with a large-scale RGB-D dataset with a resolution of 640×480 , while Ju et al. 2014 collected NJU2K, which has become one of the most popular RGB-D datasets. SSD (Zhu and Li, 2017) dataset partially remedied the resolution restriction of NLPR and NJU2K. However, it only contains 80 images. Fan et al. 2020a created a SIP dataset, which includes 929 images with object/instance-level saliency annotation. Recently, Liu et al.2022a curated 3,179 images featuring diverse real-world scenes accompanied by high-quality depth

maps. In parallel, Zhang et al.2021b contribute a substantial RGB-D saliency detection dataset, encompassing 15,625 labeled and 5,000 unlabeled samples, catalyzing advancements in fully/weakly/unsupervised RGB-D saliency detection. However, these datasets only explore RGB-D image pairs from static scenes for saliency detection. Unlike them, our ViDSOD dataset in this work addresses the task of collecting and annotating saliency regions of each video frame of RGB-D videos captured from dynamic scenes.

RGB Video SOD. On the other hand, there are five benchmark datasets for RGB video saliency detection. There are SegV2 (Li et al, 2013), ViSal (Wang et al, 2015b), DAVIS (Perazzi et al, 2016), VOS (Li et al, 2018), and DAVSOD (Fan et al, 2019). SegV2 (Li et al, 2013) contains 14 videos of birds, animals, cars, and humans and has 1,065 video frames with dense saliency annotation. ViSal (Wang et al, 2015b) is a pioneering video dataset that intends to provide a deeper exploration of video-based SOD. It contains 17 videos about humans, animals, motorbikes, etc. Each video includes 30 to 100 frames, in which salient objects are annotated according to the semantic classes of videos. DAVIS (Perazzi et al, 2016) is a well-known video segmentation dataset about humans, animals, vehicles, objects, and actions (50 videos, with 3,455 densely saliency annotated frames). VOS (Li et al, 2018) is the first large-scale dataset (200 videos, with 116,103 frames in total in which 7,467 frames are annotated). It covers a wide variety of real-world scenarios and contains salient objects, which are unambiguously defined and annotated. DAVSOD (Fan et al, 2019) is a recent larger-scale dataset containing 226 videos with 23,938 annotated frames. Beside providing object-level salient object annotations, DAVSOD also has the instance-level salient object annotations. Although providing saliency masks in dynamic videos, these five datasets only relied on the RGB image for detecting the saliency of each video frame. On the contrary, we collected a new dataset for RGB-D video SOD (denoted as ViDSOD-100) and annotated saliency mask of each video frame. Our ViDSOD-100 enables us to train CNNs for saliency detection at each video frame by utilizing RGB videos and paired depth videos.

4 Proposed Method

Figure 5 shows the schematic illustration of our attentive triple-fusion network (ATF-Net) for RGB-D video salient object detection. Our network begins by utilizing RAFT (Teed and Deng, 2020) to estimate the optical flow map between the input t -th RGB frame and the previous $(t - 1)$ -th RGB frame for obtaining a motion map. The intuition behind our network is to attentively integrate the appearance, temporal motion, and depth information from three kinds of images (RGB image, motion map, and depth image) for detecting salient objects of each video frame. As shown in Figure 5, our network consists of four branches: an appearance branch, a motion branch, a depth branch, and a multi-modality aggregation branch. Taking U-Net as the basic framework, the three modality-specific branches adopt a feature extraction network with five residual blocks as the encoder to produce a set of feature maps with different spatial resolutions, utilize a decoder to fuse features at two adjacent CNN layers, and predict three saliency detection maps (see S_{rgb} , S_{flow} , S_{depth} of Figure 5) from the decoder features with the largest spatial resolutions. Moreover, in the last multi-modality integration branch of our network, we devise a modality-specific encoder feature aggregation (MEA) module at each encoder layer to integrate encoder features from three images (i.e., a RGB image, a motion map, and a depth image), while a modality-specific decoder feature aggregation (MDA) module is formulated to aggregate three modality-specific features at each decoder layer. Also, we predict a saliency detection map S_f from the output features of the last MDA module, as shown in Figure 5.

4.1 Three Modality-specific Branches

Encoder. The encoder at each modality-specific branch utilizes a feature extraction backbone (i.e., Res2Net-50 (Gao et al, 2019) pre-trained on ImageNet (Russakovsky et al, 2015)) with five residual blocks. We employ $\{F_i^r \mid i \in [1, 5]\}$ to denote five feature maps from the RGB image, $\{F_i^f \mid i \in [1, 5]\}$ to denote five feature maps from the flow map, and $\{F_i^d \mid i \in [1, 5]\}$ to stand for five feature maps from the input depth map.

Decoder. After obtaining five encoder features for each input image, we then follow the U-Net structure to progressively fuse features at two adjacent layers. Let F_5, F_4, F_3, F_2 , and F_1 denote five encoder feature maps of a modality-specific branch, while the five decoder feature maps are denoted as D_5, D_4, D_3, D_2 , and D_1 . To compute these five decoder feature maps, we first pass the feature map F_5 at deepest encoder CNN layer to a “BConv” block to estimate D_5 . The “BConv” block consists of a 3×3 convolutional layer, a batch normalization layer, and a ReLU activation layer. Then, we up-sample D_5 , concatenate the up-sampled result with F_4 , and then pass the concatenation result into another “BConv” block to compute D_4 . Similarly, we can progressively compute D_3, D_2 , and D_1 , and then predict a saliency map from the feature map D_1 . And these predicted saliency map at three branches are denoted as S_{rgb} , S_{flow} , and S_{depth} , respectively.

4.2 Multi-modality Integration Branch

In contrast to these static-image RGB-D saliency detection methods, we incorporate a motion map to learn a spatio-temporal feature representation for boosting saliency detection in videos. Furthermore, the geometric information in the depth data enables the network to work well for scenarios when the foreground salient objects share similar appearance to the non-salient backgrounds, and the robustness of additional depth data for the light change also benefits saliency detection. Motivated by this, we develop a deep model to incorporate the RGB image, the motion map, and the depth image for addressing the task of RGB-D video salient object detection. To do so, we devise a modality-specific encoder feature aggregation (MEA) module to fuse encoder features learned from the RGB image, the motion map, and the depth image, while modality-specific decoder feature aggregation (MDA) module is designed to aggregate decoder features learned from three inputs.

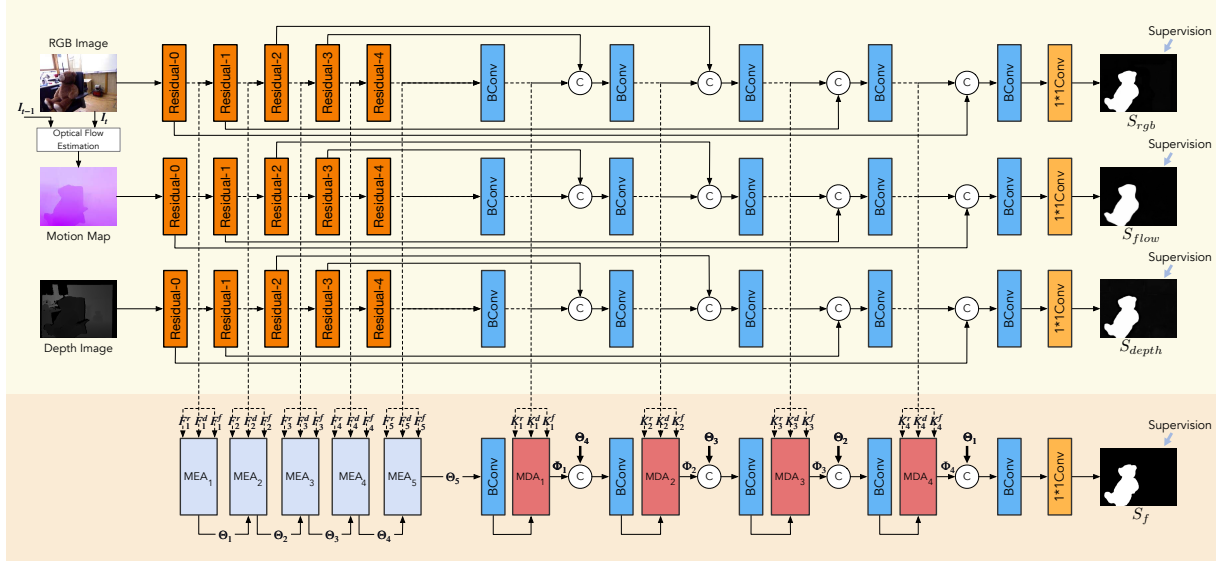


Fig. 5 The schematic illustration of our ATF-Net for RGB-D video saliency detection. Our ATF-Net contains three modality-specific branches and one multi-modality integration branch to fuse the appearance, temporal, and geometry information from the input RGB image, an estimated flow map, and depth image. Moreover, five modality-specific encoder feature aggregation (MEA) modules and four modality-specific decoder feature aggregation (MDA) modules are devised to integrate multi-level features at the encoders and the decoders of three modality-specific branches. “C” denotes the concatenation operation. “BConv” represents a sequential operation containing a 3×3 convolution layer, a batch normalization, and a *ReLU* activation function. “ 1×1 Conv” is a 1×1 convolution layer.

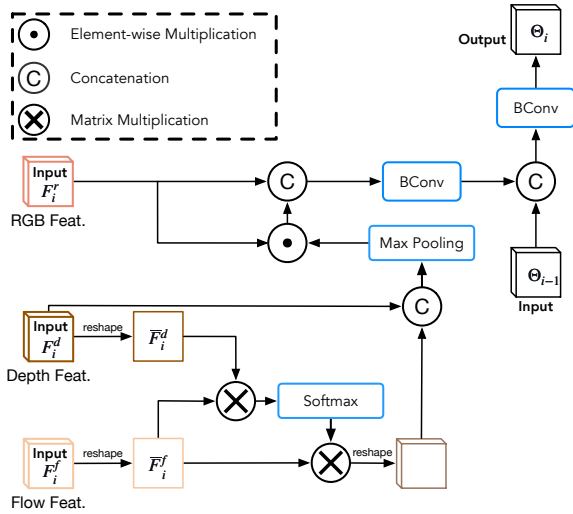


Fig. 6 The schematic illustration of the i -th modality-specific encoder feature aggregation (MEA) module. It takes the encoder RGB feature F_i^r , the encoder motion feature F_i^f , and the encoder depth feature F_i^d as three inputs and the output feature map is Θ_i .

4.2.1 Modality-specific Encoder Feature Aggregation (MEA) Module

As shown in Figure 5, we design five modality-specific encoder feature aggregation (MEA) modules (see MEA_1 , MEA_2 , MEA_3 , MEA_4 , and MEA_5) to integrate three kinds of features (i.e., RGB encoder features, the motion encoder features, and the depth encoder features) at each encoder layer. Figure 6 shows the schematic illustration of i -th MEA module ($1 \leq i \leq 5$). It takes three features at the i -th encoder features from three modality specific branches and the output feature Θ_{i-1} of the $(i-1)$ -th MEA module as the input, and outputs an aggregated feature map Θ_i . The reason of introducing Θ_{i-1} is to propagate the aggregated features of $(i-1)$ -th MEA module into the next MEA module. Note that MEA_1 does not have any Θ_{i-1} ; see Figure 5.

Specifically, we first let $F_i^r \in \mathbb{R}^{c \times w \times h}$, $F_i^f \in \mathbb{R}^{c \times w \times h}$, and $F_i^d \in \mathbb{R}^{c \times w \times h}$ denote the input RGB feature, the input motion feature, and the input depth feature, respectively. Then, we utilize a 1×1 convolution layer on F_i^r to reduce its feature

channel number to be a half, and the new feature is $\bar{F}_i^r \in \mathbb{R}^{\frac{c}{2} \times w \times h}$. Then, regarding F_i^f and F_i^d , we apply a 1×1 convolution layer on F_i^f to reduce a half of the feature channel number and reshape it to obtain two feature maps, i.e., $\bar{F}_i^f \in \mathbb{R}^{\frac{c}{2} \times (wh)}$ and $\bar{F}_i^d \in \mathbb{R}^{(wh) \times \frac{c}{2}}$. After that, to fuse the encoder depth feature map and the encoder flow feature map, we multiply \bar{F}_i^d and \bar{F}_i^f to compute a similarity map, apply a Softmax function on the similarity map to obtain a feature map \mathcal{A} , multiply \mathcal{A} with \bar{F}_i^f , concatenate the multiplication result with \bar{F}_i^d , and apply a max pooling operation on the concatenated feature map to produce a fused feature map \mathcal{B} , as:

$$\begin{aligned} \mathcal{B} &= MP(Concat(F_i^d, reshape(\bar{F}_i^f \times \mathcal{A}))), \\ \mathcal{A} &= Softmax(\bar{F}_i^d \times \bar{F}_i^f), \end{aligned} \quad (1)$$

where MP denotes a maximum pooling layer with kernel size 3×3 , and $Concat$ is to concatenate two feature maps along the feature channel dimension. $reshape$ is to reshape a $\frac{c}{2} \times wh$ 2D matrix into a $\frac{c}{2} \times w \times h$ 3D feature map. $Softmax$ represents a softmax operation, and \times is a matrix multiplication. Then, we incorporate the RGB color feature map by multiplying the obtained \mathcal{B} from Eqn. (1) with \bar{F}_i^r , and then concatenated the multiplication result with \bar{F}_i^r , and pass the concatenation result into a ‘‘BConv’’ block to produce a feature map \mathcal{C} . Finally, to further integrate the output feature map Θ_{i-1} of $(i-1)$ -th MEA module, we concatenate \mathcal{C} with Θ_{i-1} and we pass the concatenated result into a ‘‘BConv’’ block to produce the final result Θ_i of i -th MEA module. Hence, we compute Θ_i as follows:

$$\begin{aligned} \Theta_i &= Bconv(Concat(\Theta_{i-1}, \mathcal{C})), \\ \mathcal{C} &= Bconv(Concat(\bar{F}_i^r \odot \mathcal{B}, \bar{F}_i^r)), \end{aligned} \quad (2)$$

where \odot denotes the element-wise matrix multiplication.

4.2.2 Modality-specific Decoder Feature Aggregation (MDA) Module

Moreover, we devise a modality-specific decoder feature aggregation (MDA) module to integrate

three decoder features (i.e., RGB decoder features, the motion decoder features, and the depth decoder features) at each decoder layer, and our network thus contains four MDA modules (i.e., MDA_1 , MDA_2 , MDA_3 , and MDA_4 of Figure 5). Figure 7(a) shows the schematic illustration of j -th MDA module ($1 \leq j \leq 4$), which takes the decoder feature K_j^r from the RGB image, the decoder feature K_j^f from the motion map, the decoder feature K_j^d from the depth map, and the output feature map Φ_{j-1} of the $(j-1)$ -th MDA module as the input, and outputs an aggregated feature map Φ_j . In MDA_1 , we compute Φ_1 by passing the output feature map Θ_5 of MEA_5 into a ‘‘BConv’’ block; see Figure 5.

The intuition behind our MDA module is to transfer these three decoder features K_j^f , K_j^d , and Φ_{j-1} to enhance the RGB decoder feature K_j^r for saliency detection. To do so, our MDA module adopts three attention blocks to refine K_j^r by selecting two feature maps from the feature set $\{K_j^f, K_j^d, \Phi_{j-1}\}$. The first attention block utilizes K_j^f and K_j^d , while the second attention block considers K_j^f and Φ_{j-1} . Moreover, K_j^d and Φ_{j-1} are selected into the third attention block to refine the RGB decoder feature map K_j^r . Here, we utilize \mathcal{D}_1 , \mathcal{D}_2 , and \mathcal{D}_3 to denote output features of three attention blocks. After that, we concatenate \mathcal{D}_1 , \mathcal{D}_2 , and \mathcal{D}_3 , pass the concatenated result into a softmax function and a max-pooling operation, and add the pooling result with the output feature Φ_{j-1} of our $(j-1)$ -th MDA module to compute the output feature map Φ_j of our j -th MDA module:

$$\Phi_j = \Phi_{j-1} + MP(Softmax(Concat(\mathcal{D}_1, \mathcal{D}_2, \mathcal{D}_3))), \quad (3)$$

where MP denotes a max-pooling operation with kernel size 3×3 .

4.2.3 Attention Blocks

Figure 7(b) shows the schematic illustration of the attention block of our MDA block (see Figure 7(a)). The attention block transfers two input features to refine the RGB decoder feature map K_j^r (denoted as $R \in \mathbb{R}^{c_1 \times w_1 \times h_1}$ for simplicity), and these two features (denoted as $P \in \mathbb{R}^{c_1 \times w_1 \times h_1}$ and $Q \in \mathbb{R}^{c_1 \times w_1 \times h_1}$) are randomly selected the the feature set $\{K_j^f, K_j^d, \Phi_{j-1}\}$. Our attention block consists of three main

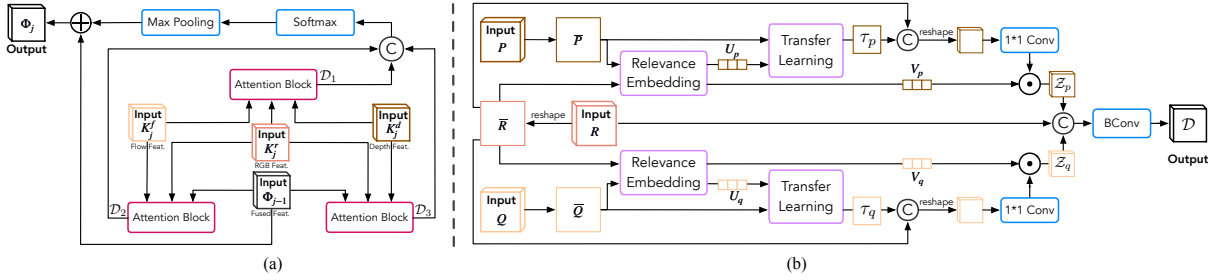


Fig. 7 The schematic illustration of j -th our modality-specific decoder feature aggregation (MDA) module in (a) and its attention block in (b). The MDA module in (a) takes the decoder RGB feature K_j^r , the decoder motion feature K_j^f , the decoder depth feature K_j^d , and the output feature Φ_{j-1} of the $(j-1)$ -th MDA module as the four inputs, and outputs the feature Φ_j . The attention block in (b) takes P , R , and Q as the inputs and outputs \mathcal{D} . Here R is K_j^r of (a). P and Q are two features from the feature set $\{K_j^f, K_j^d, \text{and } \Phi_{j-1}\}$ of (a).

steps. **First**, it reshapes the three input 3D features R , P , and Q into three 2D matrices $\bar{R} \in c_1 \times w_1 h_1$, $\bar{P} \in c_1 \times w_1 h_1$, and $\bar{Q} \in c_1 \times w_1 h_1$. Then, we pass \bar{R} and \bar{P} to a relevance embedding block (Feng et al, 2021) for computing a similarity map \mathcal{S}_p (size: $w_1 h_1 \times w_1 h_1$) between P and R , and \bar{R} and \bar{Q} is also fed to a relevance embedding block for computing a $w_1 h_1 \times w_1 h_1$ similarity map \mathcal{S}_q between Q and R . **Second**, we compute a transfer attention map \mathcal{U}_p (a vector with $w_1 h_1$ elements) and a soft attention map \mathcal{V}_p (a vector with $w_1 h_1$ elements) from the similarity matrix \mathcal{S}_p : $\mathcal{U}_p(m) = \text{argmax}_n(\mathcal{S}_p(m, n))$, and $\mathcal{V}_p(m) = \text{max}_n(\mathcal{S}_p(m, n))$. Apparently, $\mathcal{U}_p(m)$ computes the column index for the maximum value of all elements in m -th row of the 2D similarity map \mathcal{S}_p , while $\mathcal{V}_p(m)$ denote the maximum value of all elements in m -th row of the 2D similarity map \mathcal{S}_p . Then, we generate a transferred feature map \mathcal{T}_p ($c_1 \times w_1 h_1$) based on the \mathcal{U}_p and \bar{P} : $\mathcal{T}_p(x, y) = \bar{P}(x, \mathcal{U}_p(y))$. Similarly, we compute a transfer attention map \mathcal{U}_q and a soft attention map \mathcal{V}_q from the similarity map \mathcal{S}_q , and then obtain a transferred feature map \mathcal{T}_q from \mathcal{U}_q and \bar{Q} . **Lastly**, we compute the output feature map \mathcal{D} of our attention block:

$$\begin{aligned} \mathcal{D} &= \text{BCConv}(\text{Concat}(R, \mathcal{Z}_p, \mathcal{Z}_q)) , \\ \mathcal{Z}_p &= \text{Conv}(\text{reshape}(\text{Concat}(\bar{R}, \mathcal{T}_p))) \odot \mathcal{V}_p , \quad (4) \\ \mathcal{Z}_q &= \text{Conv}(\text{reshape}(\text{Concat}(\bar{R}, \mathcal{T}_q))) \odot \mathcal{V}_q , \end{aligned}$$

where \mathcal{D} , \mathcal{Z}_p , and \mathcal{Z}_q are three matrices with the size of $c_1 \times w_1 \times h_1$. Conv denotes a 1×1 convolutional layer. reshape is to reshape a $c_1 \times w_1 h_1$ 2D matrix into a $c_1 \times w_1 \times h_1$ 3D feature map.

4.3 Loss Function

The total loss L_{total} of our network is computed by adding the prediction error of the saliency maps (i.e., S_{rgb} , S_{flow} , S_{depth} , and S_f of Figure 5) at four branches:

$$L_{total} = \Omega(S_{rgb}, GT) + \lambda_1 \Omega(S_{depth}, GT) + \lambda_2 \Omega(S_{flow}, GT) + \lambda_3 \Omega(S_f, GT) , \quad (5)$$

where GT denotes the ground truth of the saliency detection for the input RGB-D video frame. $\Omega(S_{rgb}, GT)$, $\Omega(S_{flow}, GT)$, $\Omega(S_{depth}, GT)$, and $\Omega(S_f, GT)$ denote the loss functions of the predicted saliency maps S_{rgb} , S_{flow} , S_{depth} , and S_f at four branches of our network. Here, we empirically use the pixel position aware loss (Wei et al, 2020) (a combination of a weighted binary cross entropy (wBCE) loss and a weighted IoU (wIoU) loss) to compute the loss function Ω . λ_1 , λ_2 , and λ_3 are the weights, which we empirically set as $\lambda_1 = \lambda_2 = \lambda_3 = 1$. In the testing stage, we empirically take S_f at the multi-modality integration branch as the final result of our network.

5 Experimental Results

Evaluation metrics. We adopt four widely-used metrics to quantitatively compare our RGB-D video salient object detection (SOD) network

against state-of-the-art methods, and they are the Mean Absolute Error (MAE) (Perazzi et al, 2012), F-measure (F_β) (Achanta et al, 2009), S-measure (S_α) (Fan et al, 2017), and E-measure (E_ϕ) (Liu et al, 2022b). In general, a better RGB-D video SOD method shall have larger F_β , S_α , E_ϕ scores, and a smaller MAE score.

Implementation Details. Our model is implemented in PyTorch, and trained on two GeForce RTX 2080 Ti GPUs. The backbones (e.g., ResNet-50 (He et al, 2016), and Res2Net-50 (Gao et al, 2019)) we used are pre-trained on ImageNet (Deng et al, 2009). Since RGB, optical flow and depth images have different channels, the input channel of the depth encoder is modified to 1. We adopt the Adam algorithm to optimize the proposed model. The initial learning rate is set to 1×10^{-4} and is divided by 10 every 20 epochs. The input resolutions of RGB, optical flow and depth images are resized to 352×352 . The training images are augmented using various strategies, including rotating, random flipping, and random pepper. The batch size is set to 4 and the model is trained over 50 epochs. During the testing stage, the RGB, optical flow and depth images are resized to 352×352 and then fed into the model to obtain prediction maps. Then, bilinear interpolation is applied to upsample the prediction maps to the original size to achieve the final evaluation. Finally, the output of the multi-modality aggregation branch is the final prediction map for our model.

Comparative methods. To evaluate the effectiveness of our RGB-D video salient object detection network, we compare it against 18 state-of-the-art methods, including BBS-Net (Zhai et al, 2021), S2MA (Liu et al, 2020), UCNet (Zhang et al, 2020a), D3Net (Fan et al, 2020a), DCF (Ji et al, 2021), SP-Net (Zhou et al, 2021), CIR-Net (Cong et al, 2022), SPSN (Lee et al, 2022), STM (Oh et al, 2019), XMem (Cheng and Schwing, 2022), STCN (Cheng et al, 2021), QDMN (Liu et al, 2022b), TBD (Cho et al, 2022), MGA (Li et al, 2019), RCRNet (Yan et al, 2019), PyramidCSA (Gu et al, 2020), DCFNet (Zhang et al, 2021c) and UFO (Su et al, 2023). Among them, BBS-Net, S2MA, UCNet, D3Net, DCF, SP-Net, CIRNet, and SPSN are developed for single-image RGB-D salient object detection, while MGA, RCRNet, PyramidCSA,

DCFNet, and UFO are utilized for video RGB salient object detection (SOD). Moreover, STM, QDMN, XMem, STCN and TBD are designed for video object segmentation. Note that all video RGB SOD and video object segmentation methods only take the RGB images as the input. To adapt these methods for addressing the RGB-D video saliency detection, we also modify these methods by taking the RGB image and the corresponding depth image as the input for fair comparisons. To provide fair comparisons, we use their public implementations of all compared methods and re-train these methods on our ViDSOD-100 dataset to obtain their best performance for comparisons. Note that their backbone network has also been pre-trained on ImageNet (Deng et al, 2009). Moreover, we randomly select 60 videos from our ViDSOD dataset for training and the remaining 40 videos are for testing different methods.

5.1 Comparison Against State-of-the-art Methods

Quantitative comparisons. From the Table 3, we have the following observations: (a) When our network utilizes different feature extraction backbones (e.g., MobileNetV3, VGG-16, ResNet-50), the FLOPs, MACs, and inference time of our network are not the same. Although our network does not the best performance in terms of the FLOPs, the MACs, and the inference time, our network outperforms all compared methods in terms of the MAE score, the F_β score, the S_α score, and the E_ϕ score, which are 0.028, 0.864, 0.877, and 0.899. Specifically, i) Our ATF-Net with MobileNetV3 has larger FLOPs and MACs scores than the compared SOTA method (i.e., PyramidCSA (Gu et al, 2020)), while our inference time (33 FPS) is comparable to that of PyramidCSA (34 FPS). ii) Among all five methods taking VGG-16 as the feature extraction backbone, our method takes the 3rd rank on the FLOPs and MACs, and the 2nd rank for the inference time, and our FLOPs, MACs, and the inference time are 212 G, 106G, and 16 FPS. On contrary, our MAE, F_β , S_α and E_ϕ scores are largest, and they are 0.036, 0.813, 0.824, and 0.875. iii) Regarding all methods with a backbone of ResNet-50, our FLOPs MACs, FPS take the 10-th rank among all methods with a backbone of ResNet-50, but our

Table 3 Quantitative comparisons between our ATF-Net and state-of-the-art methods for RGB-D video saliency detection. * denotes the use of depth maps as auxiliary inputs. For DAVSOD (Fan et al, 2019) dataset, we utilize a monocular depth estimator (Rajpal et al, 2023) to generate pseudo depth maps for each frame of the video. The input images all have dimensions of 352×352 .

Method	Year	Type	Backbone	Depth	VIDSOD-100				DAVSOD*			# Param.(M)	FLOPs(G)	MACs(G)	FPS
					MAE ↓	F_β ↑	S_α ↑	E_ϕ ↑	MAE ↓	F_β ↑	S_α ↑				
UCNet(Zhang et al, 2020a)	2020	image	ResNet-50	✓	0.052	0.723	0.765	0.827	-	-	-	26	16	8	30
S2MA(Liu et al, 2020)	2020	image	VGG-16	✓	0.056	0.710	0.768	0.812	-	-	-	87	255	128	15
BBS-Net(Zhai et al, 2021)	2020	image	ResNet-50	✓	0.036	0.831	0.829	0.871	-	-	-	50	31	16	18
D3Net(Fan et al, 2020a)	2021	image	VGG-16	✓	0.047	0.771	0.793	0.841	-	-	-	45	135	68	26
DCF(Ji et al, 2021)	2021	image	ResNet-50	✓	0.039	0.805	0.787	0.827	-	-	-	108	54	27	8
TriTransNet(Liu et al, 2021b)	2021	image	ResNet-50	✓	0.039	0.809	0.790	0.826	-	-	-	139	553	277	4
CMINet(Zhang et al, 2021b)	2021	image	ResNet-50	✓	0.037	0.808	0.823	0.864	-	-	-	214	188	94	3
VST(Liu et al, 2021a)	2021	image	T2T-ViT	✓	0.037	0.810	0.824	0.863	-	-	-	84	200	100	10
SP-Net(Zhou et al, 2021)	2021	image	Res2Net-50	✓	0.036	0.813	0.829	0.874	-	-	-	150	68	34	6
CIRNet(Cong et al, 2022)	2022	image	ResNet-50	✓	0.035	0.812	0.828	0.872	-	-	-	107	320	160	4
SPSN(Lee et al, 2022)	2022	image	VGG-16	✓	0.038	0.809	0.791	0.829	-	-	-	100	37	19	12
STM(Oh et al, 2019)	2019	video	ResNet-50	×	0.032	0.793	0.846	0.861	0.076	0.655	0.735	39	43	22	15
STCN(Cheng et al, 2021)	2021	video	ResNet-50	×	0.041	0.810	0.789	0.841	0.086	0.652	0.740	54	53	27	23
QDMN(Liu et al, 2022b)	2022	video	ResNet-50	×	0.042	0.785	0.810	0.840	0.084	0.657	0.748	105	74	37	13
XMem(Cheng and Schwing, 2022)	2022	video	ResNet-50	×	0.040	0.791	0.816	0.848	0.081	0.660	0.748	62	57	29	25
TBD(Cho et al, 2022)	2022	video	ResNet-50	×	0.040	0.789	0.816	0.847	0.082	0.662	0.749	9	41	21	28
STM*(Oh et al, 2019)	2019	video	ResNet-50	✓	0.032	0.795	0.847	0.861	0.077	0.651	0.734	39	43	22	15
STCN*(Cheng et al, 2021)	2021	video	ResNet-50	✓	0.040	0.812	0.791	0.843	0.085	0.654	0.742	54	53	27	23
QDMN*(Liu et al, 2022b)	2022	video	ResNet-50	✓	0.040	0.789	0.820	0.842	0.080	0.658	0.749	105	74	37	13
XMem*(Cheng and Schwing, 2022)	2022	video	ResNet-50	✓	0.039	0.792	0.817	0.850	0.079	0.662	0.751	62	57	29	25
TBD*(Cho et al, 2022)	2022	video	ResNet-50	✓	0.038	0.791	0.818	0.849	0.077	0.663	0.752	9	41	21	28
MGA(Li et al, 2019)	2019	video	ResNet-50	×	0.092	0.596	0.656	0.731	0.097	0.623	0.739	92	116	58	13
RCRNet(Yan et al, 2019)	2019	video	ResNet-50	×	0.044	0.750	0.796	0.865	0.087	0.653	0.741	54	273	117	20
PyramidCSA(Gu et al, 2020)	2020	video	MobileNetV3	×	0.065	0.754	0.730	0.758	0.086	0.655	0.741	3	15	8	34
DCFNet(Zhang et al, 2021c)	2021	video	ResNet-101	×	0.031	0.816	0.833	0.872	0.074	0.660	0.741	72	233	117	5
UFO(Su et al, 2023)	2022	video	VGG-16	×	0.034	0.812	0.828	0.870	0.076	0.657	0.739	56	781	390	6
MGA*(Li et al, 2019)	2019	video	ResNet-50	✓	0.072	0.609	0.667	0.733	0.089	0.628	0.741	92	116	58	13
RCRNet*(Yan et al, 2019)	2019	video	ResNet-50	✓	0.040	0.756	0.801	0.869	0.087	0.655	0.742	54	273	117	20
PyramidCSA*(Gu et al, 2020)	2020	video	MobileNetV3	✓	0.054	0.761	0.732	0.768	0.085	0.658	0.744	3	15	8	34
DCFNet*(Zhang et al, 2021c)	2021	video	ResNet-101	✓	0.031	0.824	0.842	0.883	0.073	0.662	0.744	72	233	117	5
UFO*(Su et al, 2023)	2022	video	VGG-16	✓	0.033	0.816	0.830	0.876	0.072	0.661	0.741	56	781	390	6
ATF-Net (Ours)	-	video	MobileNetV3	✓	0.045	0.787	0.809	0.851	0.087	0.654	0.741	60	30	15	33
ATF-Net (Ours)	-	video	VGG-16	✓	0.036	0.813	0.824	0.875	0.081	0.655	0.743	97	212	106	16
ATF-Net (Ours)	-	video	ResNet-50	✓	0.030	0.834	0.846	0.885	0.069	0.667	0.746	129	126	63	12
ATF-Net (Ours)	-	video	Res2Net-50	✓	0.028	0.864	0.877	0.899	0.061	0.673	0.752	130	129	65	10

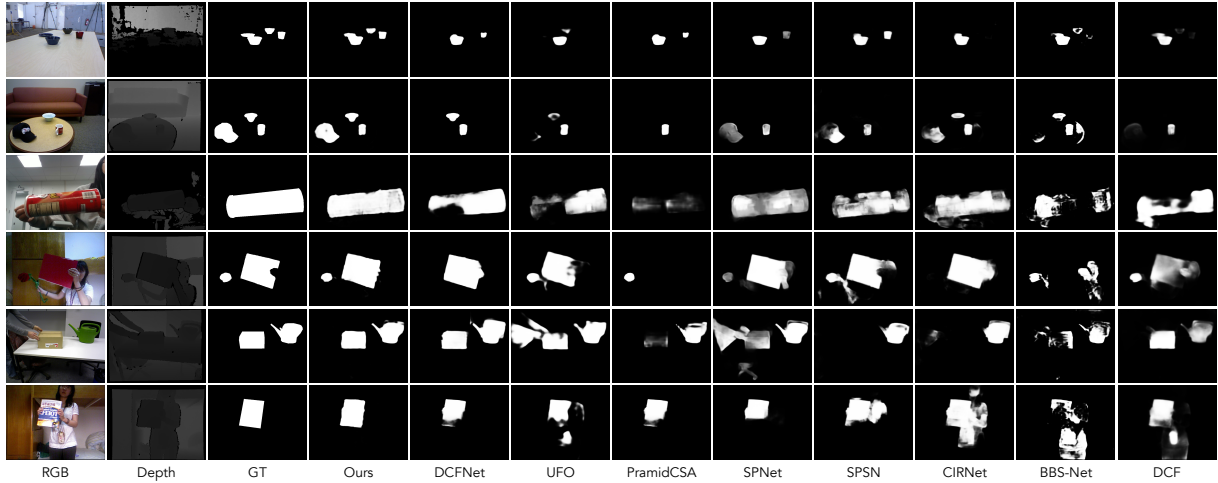


Fig. 8 Visual comparisons of RGB-D video salient object detection maps produced by our network (4-th column; denotes as “Ours”) and state-of-the-art methods (5-th to 13-th columns) against ground truths (3-rd column). Apparently, our method has a higher accuracy of detecting salient objects from RGB-D videos than all competitors. “RGB” and “depth” denote the input RGB and depth video frame. “GT” represents the ground truth of the saliency detection on input RGB-D video frame.

network can decrease the MAE score from 0.032 to 0.030; increase the F_β score from 0.813 to 0.834; and increase the E_ϕ score from 0.872 to 0.885. iv) Regarding the backbone of Res2Net-50, our

FLOPs MACs, FPS take 2nd rank, but our network improve the (MAE, F_β , S_α , E_ϕ) score from (0.036, 0.813, 0.829, 0.874) to (0.028, 0.864, 0.877, 0.899).

Qualitative comparisons. Figure 8 visually compares RGB-D video salient object detection results produced by our network and state-of-the-arts methods. From the visual results, we can find that our ATF-Net (see 4-th column of Figure 8) can more accurately identify salient objects from RGB-D videos than all the competitors. However, other methods tend to wrongly identify non-salient backgrounds or miss some salient objects in their results, especially for cases with multiple salient objects at the first two rows of Figure 8.

5.2 Ablation Studies

We extend our analysis through a series of ablation study experiments to underscore the efficacy of various inputs, including optical flow maps and depth maps, as well as the contributions of MEA, MDA, the attention block within our network, and the integration of depth maps. These experiments are carried out on both our proposed ViDSOD-100 dataset and the challenging video salient object detection dataset, DAVSOD (Fan et al, 2019). Importantly, we employ a monocular depth estimator (Rajpal et al, 2023) to generate pseudo-depth images for individual video frames, and for the acquisition of optical flow maps, we utilize the RAFT (Teed and Deng, 2020). Here, we consider four baseline networks. The first baseline network (denoted as “basic”) is constructed by replacing all MEA and MDA modules from our ATF-Net with a simple concatenation operation for fusing features. The second baseline (denoted as “basic+MEA”) is to add all MEA modules into “basic”, while the third one (denoted as “basic+MDA”) is to add all MDA modules into “basic”. The last baseline (denoted as “Ours-w/o-attBLK”) is to remove only all attention blocks of our MDA modules from our network. Table 4 reports the quantitative results of four metrics of our method and four constructed baseline networks.

Effectiveness of MEA. As shown in Table 4, “basic+MEA” has larger F_β , S_α , and E_ϕ scores and a smaller MAE score than “basic”, showing that MEA modules enable our network to enhance RGB-D video saliency detection accuracy.

Effectiveness of MDA. From the quantitative results of Table 4, we can observe that “basic+MDA” has a superior performance on all

four metrics than “basic”. It indicates that our MDA modules have their contributions to the success of our network for RGB-D video saliency detection.

Effectiveness of the attention block in our MDA. Also, we can observe that our network consistently outperforms “Ours-w/o-attBLK” in terms of all four metrics, which shows that the attention blocks in our MDA can well leverage the features from the flow map and the depth map, as well as the aggregated features from the previous decoder layer to refine the RGB decoder features, thereby improving the RGB-D video saliency detection performance of our ATF-Net.

5.3 More Analysis

Effectiveness of the depth map. Table 6 presents our experimental results on the importance of depth maps in ATF-Net. We evaluated the performance of ATF-Net with the depth branch removed (denoted as “Ours-w/o-depth”) and compared it against five video RGB SOD methods and five video object segmentation methods that utilize depth maps as additional input. These methods include MGA (Li et al, 2019), RCRNet (Yan et al, 2019), PyramidCSA (Gu et al, 2020), DCFNet (Zhang et al, 2021c), UFO (Su et al, 2023), STM (Oh et al, 2019), XMem (Cheng and Schwing, 2022), STCN (Cheng et al, 2021), QDMN (Liu et al, 2022b), and TBD (Cho et al, 2022). Note that these ten methods are not designed to address video RGB-D SOD, so they do not have the depth map as additional input. Therefore, we simply concatenate the depth map with RGB video frame along with the channel dimension to enable them to extract information from the depth map. After introducing the foreground information in the depth map, we boost the performance of these methods further, which proves the depth map is helpful.

Effectiveness of the estimated depth map. To explore the effect of the estimated depth for the model, we construct a trivial video RGB-D dataset (DAVSOD*) by adding the estimated depth map from (Rajpal et al, 2023) with the original video RGB dataset (DAVSOD). Table 3 shows the MAE, F_β , and S_α results of five state-of-the-art methods (MGA (Li et al, 2019), RCRNet (Yan et al, 2019), PyramidCSA (Gu et al,

Table 4 Quantitative comparisons of our method and four constructed baseline networks. “MEA” represents the modality-specific encoder feature integration module, while “MDA” stands for modality-specific decoder feature integration module. “attBLK” stands for the attention block of our MDA module.

Network	MEA	MDA	attBLK	ViDSOD-100			DAVSOD*			# Param.(M)	FLOPs(G)	FPS
				MAE ↓	F_β ↑	S_α ↑	MAE ↓	F_β ↑	S_α ↑			
basic	×	×	×	0.045	0.787	0.809	0.089	0.635	0.708	99	46	15
basic+MEA	✓	×	×	0.037	0.841	0.837	0.081	0.649	0.736	130	57	12
basic+MDA	×	✓	✓	0.035	0.825	0.831	0.078	0.653	0.739	72	107	12
Ours-w/o-attBLK	✓	✓	×	0.032	0.838	0.839	0.073	0.662	0.743	129	57	11
ATF-Net (Ours)	✓	✓	✓	0.028	0.864	0.877	0.061	0.673	0.752	130	129	10

Table 5 Significance of ground-truth depth maps.

Network	Type of depth maps	MAE ↓	F_β ↑	S_α ↑	E_ϕ ↑
ATF-Net	DPT (Ranftl et al, 2021)	0.031	0.855	0.859	0.883
	DPT-B+R+AL (Rajpal et al, 2023)	0.029	0.860	0.871	0.894
	GT depth maps	0.028	0.864	0.877	0.899

Table 6 Ablation studies on multiple inputs. The term “simple concat” refers to the fusion of depth/optical flow images with RGB images through direct concatenation of their channel dimensions, followed by a 1×1 convolutional layer.

Network	Depth	Optical flow	Fusion manner	ViDSOD-100			DAVSOD*		
				MAE ↓	F_β ↑	S_α ↑	MAE ↓	F_β ↑	S_α ↑
vanilla	×	×	×	0.066	0.751	0.728	0.167	0.334	0.553
vanilla+D-concat	✓	×	simple concat	0.061	0.754	0.732	0.160	0.341	0.559
vanilla+D-branch	✓	×	UNet-like branch	0.054	0.765	0.747	0.129	0.520	0.656
vanilla+D-ED	✓	×	MEA+MDA	0.044	0.779	0.767	0.090	0.551	0.677
vanilla+O-concat	×	✓	simple concat	0.062	0.751	0.730	0.162	0.339	0.558
vanilla+O-branch	×	✓	UNet-like branch	0.055	0.761	0.743	0.131	0.512	0.646
vanilla+O-ED	×	✓	MEA+MDA	0.043	0.776	0.766	0.110	0.549	0.672
vanilla+D-concat+O-concat	✓	✓	simple concat	0.060	0.756	0.735	0.160	0.343	0.561
vanilla+D-branch+O-branch	✓	✓	UNet-like branch	0.045	0.787	0.809	0.089	0.635	0.708
ATF-Net (Ours)	✓	✓	MEA+MDA	0.028	0.864	0.877	0.061	0.673	0.752

2020), DCFNet (Zhang et al, 2021c) and UFO (Su et al, 2023)) and our ATF-Net, we can find that all five compared methods and our network suffer from a degraded performance when we change the training set from ViDSOD-100 (with the depth map from hardware devices) to DAVSOD* (with the estimated depth map). For example, our MAE is increased from 0.028 to 0.061; our F_β score is decreased from 0.864 to 0.673; our S_α score is decreased from 0.877 to 0.752. And the MAE, F_β , and S_α scores of UFO* are degraded from (0.033, 0.816, 0.830) on ViDSOD-100 to (0.072, 0.661, 0.741) on DAVSOD*. Moreover, similar to ViDSOD-100, our network also outperforms all five compared methods in terms of MAE, F_β , and S_α on DAVSOD*. Moreover, we conduct experiments on our ViDSOD-100 dataset with different qualities of the depth maps, which are the ground truth, and estimated depths from two monocular depth estimation methods. They are DPT (Ranftl

et al, 2021) and its advanced iteration, DPT-B+R+AL (Rajpal et al, 2023). Table 3 reports the video RGB-D SOD results of our network with different depth maps. It shows that the incorporation of higher-quality depth images undeniably led to a notable enhancement in ATF-Net’s performance. However, it’s crucial to note that despite these improvements, the performance still falls short when compared to using ground-truth depth maps. This underscores the undeniable significance of genuine depth information in augmenting the overall effectiveness of ATF-Net, as well as other similar methodologies.

Effectiveness of the depth and motion map.

In Table 7, we have conducted ablation studies to analyze the effectiveness of the depth map and the temporal information of the input motion map. Specifically, we construct three baseline networks by progressively removing the depth map or the motion map from our network. The first baseline (denoted as “vanilla”) is to remove the

Table 7 Cost paid for the performance improvements.

Network	Depth	Optical flow	ViDSOD-100			DAVSOD*			# Param.(M)	Training time cost	FPS
			MAE ↓	F_β ↑	S_α ↑	MAE ↓	F_β ↑	S_α ↑			
vanilla	×	×	0.066	0.751	0.728	0.167	0.334	0.553	24	6 hours	38
vanilla+D-ED	✓	×	0.044	0.779	0.767	0.090	0.551	0.677	103	9 hours	12
vanilla+O-ED	×	✓	0.043	0.776	0.766	0.110	0.549	0.672	103	9 hours	12
ATF-Net (Ours)	✓	✓	0.028	0.864	0.877	0.061	0.673	0.752	130	11 hours	10

input depth map and the motion map from our network for video RGB-D SOD. The second baseline (denoted as “vanilla+D-ED”) adds the input depth map into “vanilla”, and then we modify our MEA and MDA blocks to fuse features from the input RGB image and the input depth image. Similarly, the third baseline (denoted as “vanilla+O”) is reconstructed by adding the motion map into “vanilla” and also fused these two features by modifying our MEA and MDA blocks. Table 7 summarizes the quantitative results of our network of three baselines. Apparently, “vanilla+D-ED” and “vanilla+O-ED” outperforms “vanilla”, which demonstrates that the depth map and the temporal motion map have their contributions to the success of our video RGB-D SOD network. Moreover, combining both the depth map and the temporal information together can further enhance the video RGB-D SOD performance of our network, as indicated by the superior MAE, F_β , and S_α scores of our ATF-Net over “vanilla+D-ED” and “vanilla+O-ED”.

Cost paid for the performance improvements. In Table 7, we further report the cost (i.e., the number of the model parameter, the training time, and the inference time) paid for the performance improvement by the depth map and the temporal information. We can find that the number of model parameters increase from 24 M to 103 M, when we add the depth map or the temporal motion map into “vanilla” (with the only RGB image). And the training time is increased from 6 hours to 9 hours due to the additional depth map or the temporal information, and the inference time is increased from 38 FPS to 12 FPS due to the depth map or the temporal map. Furthermore, when our network utilizes both the depth map and the temporal map, the number of parameters, the training time and the inference time is increased from (103 M, 9 hours, 12 FPS) to (130 M, 11 hours, 10 FPS). Although we have paid some cost, our network also improves the video

RGB-D SOD performance when we include the depth map and the temporal motion map.

Effectiveness of multiple inputs. Displayed in Table 6, we have established five baseline networks to validate the efficacy of multiple inputs and fusion approaches. The initial baseline network (referred to as “vanilla”) is created by omitting the depth and optical flow branches from our ATF-Net architecture. This configuration is akin to a U-Net model and exclusively employs RGB images as inputs. Next, we ascertain the most effective approach to integrate geometric information from depth images into the “vanilla” model by comparing various fusion methods. This involves straightforwardly concatenating depth images with RGB images along their channel dimensions (referred to as “vanilla+D-concat”), or alternatively, incorporating an additional UNet-like branch (referred to as “vanilla+D-branch”). Likewise, we formulate the “vanilla+O-concat” and “vanilla+O-branch” networks to determine the most optimal approach for leveraging temporal information from optical flow images. As depicted in Table 6, the incorporation of supplementary geometric and temporal information yields improvements in the efficacy of salient object detection in videos.

6 Conclusions

To facilitate the research on RGB-D video salient object detection (SOD), we collected a new annotated RGB-D video SOD dataset (ViDSOD-100), which consists of 100 videos with 9,362 video frames covering various salient object categories. Meanwhile, we devised an attentive triple-fusion network (ATF-Net) with four branches for RGB-D video SOD to integrate the appearance, temporal, and geometry information from the input RGB image, the input depth image, and an estimated motion map by embedding modality-specific modules. Experimental results on ViDSOD-100 showed that our ATF-Net outperforms 21 state-of-the-art methods in terms of

RGB-D video SOD. We hope our new dataset and benchmark would promote the development of RGB-D Video SOD community. Further work includes the collection of more data in our ViDSOD-100.

7 Acknowledgements

This work is supported by the Guangzhou Municipal Science and Technology Project (Grant No. 2023A03J0671), the InnoHK funding launched by Innovation and Technology Commission, Hong Kong SAR, the Guangzhou Industrial Information and Intelligent Key Laboratory Project (No. 2024A03J0628), the Guangzhou-HKUST(GZ) Joint Funding Program (No. 2024A03J0618), the Ministry of Science and Technology of the People's Republic of China (STI2030-Major Projects2021ZD0201900), the National Natural Science Foundation of China (Grant No. 62371409), and National Research Foundation Singapore under its AI Singapore Programme (Award Number: AISG2-GC-2023-007).

References

- Achanta R, Hemami S, Estrada F, et al (2009) Frequency-tuned salient region detection. In: 2009 IEEE Conference on Computer Vision and Pattern Recognition, pp 1597–1604
- Alpert S, Galun M, Brandt A, et al (2011) Image segmentation by probabilistic bottom-up aggregation and cue integration. *IEEE Transactions on Pattern Analysis and Machine Intelligence* 34(2):315–327
- Chen C, Li S, Wang Y, et al (2017) Video saliency detection via spatial-temporal fusion and low-rank coherency diffusion. *IEEE Transactions on Image Processing* 26(7):3156–3170
- Chen H, Li Y (2018) Progressively complementarity-aware fusion network for rgb-d salient object detection. In: Proceedings of the IEEE/CVF Conference on Computer Vision and Pattern Recognition (CVPR), pp 3051–3060
- Cheng HK, Schwing AG (2022) XMem: Long-term video object segmentation with an atkinson-shiffrin memory model. In: ECCV
- Cheng HK, Tai YW, Tang CK (2021) Rethinking space-time networks with improved memory coverage for efficient video object segmentation. In: Ranzato M, Beygelzimer A, Dauphin Y, et al (eds) *Advances in Neural Information Processing Systems*, vol 34. Curran Associates, Inc., pp 11,781–11,794
- Cheng MM, Mitra NJ, Huang X, et al (2014a) Global contrast based salient region detection. *IEEE Transactions on Pattern Analysis and Machine Intelligence* 37(3):569–582
- Cheng Y, Fu H, Wei X, et al (2014b) Depth enhanced saliency detection method. In: Proceedings of International Conference on Internet Multimedia Computing and Service. Association for Computing Machinery, New York, NY, USA, ICIMCS '14, p 23–27
- Cho S, Lee H, Lee M, et al (2022) Tackling background distraction in video object segmentation. In: Avidan S, Brostow G, Cissé M, et al (eds) *Computer Vision – ECCV 2022*. Springer Nature Switzerland, Cham, pp 446–462
- Ciptadi A, Hermans T, Rehg JM (2013) An in depth view of saliency. Georgia Institute of Technology
- Cong R, Lei J, Fu H, et al (2019a) Review of Visual Saliency Detection With Comprehensive Information. *IEEE Transactions on Circuits and Systems for Video Technology* 29(10):2941–2959
- Cong R, Lei J, Fu H, et al (2019b) Video Saliency Detection via Sparsity-Based Reconstruction and Propagation. *IEEE Transactions on Image Processing* 28(10):4819–4831
- Cong R, Lin Q, Zhang C, et al (2022) Cir-net: Cross-modality interaction and refinement for rgb-d salient object detection. *IEEE Transactions on Image Processing* 31:6800–6815
- Deng J, Dong W, Socher R, et al (2009) Imagenet: A large-scale hierarchical image database. In:

- 2009 IEEE conference on computer vision and pattern recognition. IEEE, pp 248–255
- Fan DP, Cheng MM, Liu Y, et al (2017) Structure-measure: A new way to evaluate foreground maps. In: Proceedings of the IEEE International Conference on Computer Vision (ICCV)
- Fan DP, Cheng MM, Liu JJ, et al (2018) Salient objects in clutter: Bringing salient object detection to the foreground. In: ECCV, pp 186–202
- Fan DP, Wang W, Cheng MM, et al (2019) Shifting more attention to video salient object detection. In: Proceedings of the IEEE/CVF Conference on Computer Vision and Pattern Recognition (CVPR)
- Fan DP, Lin Z, Zhang Z, et al (2020a) Rethinking rgb-d salient object detection: Models, data sets, and large-scale benchmarks. *IEEE Transactions on Neural Networks and Learning Systems* 32(5):2075–2089
- Fan DP, Zhai Y, Borji A, et al (2020b) Bbs-net: Rgb-d salient object detection with a bifurcated backbone strategy network. In: *Computer Vision – ECCV*, pp 275–292
- Feng CM, Yan Y, Fu H, et al (2021) Task transformer network for joint mri reconstruction and super-resolution. *arXiv preprint arXiv:210606742*
- Fu K, Fan DP, Ji GP, et al (2020) JI-dcf: Joint learning and densely-cooperative fusion framework for rgb-d salient object detection. In: Proceedings of the IEEE/CVF Conference on Computer Vision and Pattern Recognition (CVPR), pp 3052–3062
- Gao S, Cheng MM, Zhao K, et al (2019) Res2net: A new multi-scale backbone architecture. *IEEE Transactions on Pattern Analysis and Machine Intelligence*
- Gu Y, Wang L, Wang Z, et al (2020) Pyramid constrained self-attention network for fast video salient object detection. In: Proceedings of the AAAI conference on artificial intelligence, pp 10,869–10,876
- He K, Zhang X, Ren S, et al (2016) Deep residual learning for image recognition. In: Proceedings of the IEEE conference on computer vision and pattern recognition. IEEE, pp 770–778
- Ji W, Li J, Yu S, et al (2021) Calibrated rgb-d salient object detection. In: Proceedings of the IEEE/CVF Conference on Computer Vision and Pattern Recognition (CVPR), pp 9466–9476
- Ju R, Ge L, Geng W, et al (2014) Depth saliency based on anisotropic center-surround difference. In: 2014 IEEE International Conference on Image Processing (ICIP), pp 1115–1119
- Kwolek B, Kepski M (2014) Human fall detection on embedded platform using depth maps and wireless accelerometer. *Computer methods and programs in biomedicine* 117(3):489–501
- Lai K, Bo L, Fox D (2014) Unsupervised feature learning for 3d scene labeling. In: IEEE International Conference on Robotics and Automation (ICRA). IEEE, pp 3050–3057
- Lee M, Park C, Cho S, et al (2022) Spn: Superpixel prototype sampling network for rgb-d salient object detection. In: Avidan S, Brostow G, Cissé M, et al (eds) *Computer Vision – ECCV 2022*. Springer Nature Switzerland, Cham, pp 630–647
- Li F, Kim T, Humayun A, et al (2013) Video segmentation by tracking many figure-ground segments. In: Proceedings of the IEEE International Conference on Computer Vision (ICCV)
- Li G, Yu Y (2015) Visual saliency based on multiscale deep features. In: Proceedings of the IEEE/CVF Conference on Computer Vision and Pattern Recognition (CVPR), pp 5455–5463
- Li G, Xie Y, Lin L, et al (2017) Instance-level salient object segmentation. In: Proceedings of the IEEE/CVF Conference on Computer Vision and Pattern Recognition (CVPR), pp 2386–2395
- Li G, Liu Z, Ye L, et al (2020) Cross-modal weighting network for rgb-d salient object detection.

- In: Computer Vision – ECCV. Springer, pp 665–681
- Li H, Chen G, Li G, et al (2019) Motion guided attention for video salient object detection. In: Proceedings of the IEEE/CVF International Conference on Computer Vision (ICCV), pp 7274–7283
- Li J, Xia C, Chen X (2018) A benchmark dataset and saliency-guided stacked autoencoders for video-based salient object detection. *IEEE Transactions on Image Processing* 27(1):349–364
- Li N, Ye J, Ji Y, et al (2014a) Saliency detection on light field. In: Proceedings of the IEEE Conference on Computer Vision and Pattern Recognition (CVPR)
- Li Y, Hou X, Koch C, et al (2014b) The secrets of salient object segmentation. In: Proceedings of the IEEE/CVF Conference on Computer Vision and Pattern Recognition (CVPR), pp 280–287
- Liu N, Zhang N, Han J (2020) Learning selective self-mutual attention for rgb-d saliency detection. In: Proceedings of the IEEE/CVF Conference on Computer Vision and Pattern Recognition (CVPR), pp 13,753–13,762
- Liu N, Zhang N, Wan K, et al (2021a) Visual saliency transformer. In: Proceedings of the IEEE/CVF International Conference on Computer Vision (ICCV), pp 4722–4732
- Liu N, Zhang N, Shao L, et al (2022a) Learning selective mutual attention and contrast for rgb-d saliency detection. *IEEE Transactions on Pattern Analysis and Machine Intelligence* 44(12):9026–9042. <https://doi.org/10.1109/TPAMI.2021.3122139>
- Liu T, Yuan Z, Sun J, et al (2010) Learning to detect a salient object. *IEEE Transactions on Pattern Analysis and Machine Intelligence* 33(2):353–367
- Liu Y, Yu R, Yin F, et al (2022b) Learning quality-aware dynamic memory for video object segmentation. In: Avidan S, Brostow G, Cissé M, et al (eds) Computer Vision – ECCV 2022. Springer Nature Switzerland, Cham, pp 468–486
- Liu Z, Shi S, Duan Q, et al (2019) Salient object detection for rgb-d image by single stream recurrent convolution neural network. *Neurocomputing* 363:46–57
- Liu Z, Wang Y, Tu Z, et al (2021b) Tri-transnet: Rgb-d salient object detection with a triplet transformer embedding network. In: Proceedings of the 29th ACM International Conference on Multimedia. Association for Computing Machinery, New York, NY, USA, MM '21, p 4481–4490, <https://doi.org/10.1145/3474085.3475601>, URL <https://doi.org/10.1145/3474085.3475601>
- Movahedi V, Elder JH (2010) Design and perceptual validation of performance measures for salient object segmentation. In: 2010 IEEE Computer Society Conference on Computer Vision and Pattern Recognition - Workshops, pp 49–56
- Niu Y, Geng Y, Li X, et al (2012) Leveraging stereopsis for saliency analysis. In: 2012 IEEE Conference on Computer Vision and Pattern Recognition, pp 454–461
- Oh SW, Lee JY, Xu N, et al (2019) Video object segmentation using space-time memory networks. In: Proceedings of the IEEE International Conference on Computer Vision (ICCV), pp 9225–9234
- Peng H, Li B, Xiong W, et al (2014) Rgb-d salient object detection: A benchmark and algorithms. In: European conference on computer vision, Springer, pp 92–109
- Perazzi F, Krähenbühl P, Pritch Y, et al (2012) Saliency filters: Contrast based filtering for salient region detection. In: Proceedings of the IEEE/CVF Conference on Computer Vision and Pattern Recognition (CVPR), pp 733–740
- Perazzi F, Pont-Tuset J, McWilliams B, et al (2016) A benchmark dataset and evaluation methodology for video object segmentation. In: Proceedings of the IEEE Conference on Computer Vision and Pattern Recognition (CVPR)

- Piao Y, Ji W, Li J, et al (2019) Depth-induced multi-scale recurrent attention network for saliency detection. In: Proceedings of the IEEE/CVF International Conference on Computer Vision (ICCV)
- Rajpal A, Cheema N, Illgner-Fehns K, et al (2023) High-resolution synthetic rgb-d datasets for monocular depth estimation. In: Proceedings of the IEEE/CVF Conference on Computer Vision and Pattern Recognition, pp 1188–1198
- Ranftl R, Bochkovskiy A, Koltun V (2021) Vision transformers for dense prediction. In: Proceedings of the IEEE/CVF international conference on computer vision, pp 12,179–12,188
- Ren Q, Lu S, Zhang J, et al (2021) Saliency object detection by fusing local and global contexts. *IEEE Transactions on Multimedia* 23:1442–1453. <https://doi.org/10.1109/TMM.2020.2997178>
- Ren S, Han C, Yang X, et al (2020) Tenet: Triple excitation network for video salient object detection. In: *Computer Vision – ECCV*. Springer, pp 212–228
- Russakovsky O, Deng J, Su H, et al (2015) Imagenet large scale visual recognition challenge. *International Journal of Computer Vision* 115(3):211–252
- Shi J, Yan Q, Xu L, et al (2015) Hierarchical image saliency detection on extended cssd. *IEEE Transactions on Pattern Analysis and Machine Intelligence* 38(4):717–729
- Song S, Xiao J (2013) Tracking revisited using rgb-d camera: Unified benchmark and baselines. In: Proceedings of the IEEE International Conference on Computer Vision (ICCV)
- Sturm J, Engelhard N, Endres F, et al (2012) A benchmark for the evaluation of rgb-d slam systems. In: Proc. of the International Conference on Intelligent Robot Systems (IROS)
- Su Y, Deng J, Sun R, et al (2023) A unified transformer framework for group-based segmentation: Co-segmentation, co-saliency detection and video salient object detection. *IEEE Transactions on Multimedia* pp 1–13. <https://doi.org/10.1109/TMM.2023.3264883>
- Teed Z, Deng J (2020) Raft: Recurrent all-pairs field transforms for optical flow. In: *Computer Vision – ECCV 2020*. Springer, pp 402–419
- Wang F, Hauser K (2019) In-hand object scanning via rgb-d video segmentation. In: *International Conference on Robotics and Automation (ICRA)*. IEEE, pp 3296–3302
- Wang L, Lu H, Wang Y, et al (2017a) Learning to detect salient objects with image-level supervision. In: Proceedings of the IEEE/CVF Conference on Computer Vision and Pattern Recognition (CVPR), pp 136–145
- Wang W, Shen J, Porikli F (2015a) Saliency-aware geodesic video object segmentation. In: Proceedings of the IEEE Conference on Computer Vision and Pattern Recognition (CVPR)
- Wang W, Shen J, Shao L (2015b) Consistent video saliency using local gradient flow optimization and global refinement. *IEEE Transactions on Image Processing* 24(11):4185–4196
- Wang W, Shen J, Shao L (2017b) Video salient object detection via fully convolutional networks. *IEEE Transactions on Image Processing* 27(1):38–49
- Wang Y, Wang R, Fan X, et al (2023) Pixels, regions, and objects: Multiple enhancement for salient object detection. In: Proceedings of the IEEE/CVF Conference on Computer Vision and Pattern Recognition (CVPR), pp 10,031–10,040
- Wei J, Wang S, Huang Q (2020) F³net: fusion, feedback and focus for salient object detection. In: Proceedings of the AAAI Conference on Artificial Intelligence, pp 12,321–12,328
- Xia C, Li J, Chen X, et al (2017) What is and what is not a salient object? learning salient object detector by ensembling linear exemplar regressors. In: Proceedings of the IEEE/CVF Conference on Computer Vision and Pattern Recognition (CVPR), pp 4142–4150

- Yan P, Li G, Xie Y, et al (2019) Semi-supervised video salient object detection using pseudo-labels. In: Proceedings of the IEEE/CVF International Conference on Computer Vision (ICCV)
- Zeng Y, Zhang P, Zhang J, et al (2019) Towards high-resolution salient object detection. In: Proceedings of the IEEE International Conference on Computer Vision (ICCV), pp 7234–7243
- Zhai Y, Fan DP, Yang J, et al (2021) Bifurcated backbone strategy for rgb-d salient object detection. *IEEE Transactions on Image Processing* 30:8727–8742
- Zhang J, Ma S, Sameki M, et al (2015) Salient object subitizing. In: Proceedings of the IEEE/CVF Conference on Computer Vision and Pattern Recognition (CVPR), pp 4045–4054
- Zhang J, Fan DP, Dai Y, et al (2020a) Ucnet: Uncertainty inspired rgb-d saliency detection via conditional variational autoencoders. In: Proceedings of the IEEE/CVF Conference on Computer Vision and Pattern Recognition (CVPR), pp 8579–8588
- Zhang J, Fan DP, Dai Y, et al (2021a) Rgb-d saliency detection via cascaded mutual information minimization. In: Proceedings of the IEEE/CVF International Conference on Computer Vision (ICCV), pp 4338–4347
- Zhang J, Fan DP, Dai Y, et al (2021b) Rgb-d saliency detection via cascaded mutual information minimization. In: Proceedings of the IEEE/CVF International Conference on Computer Vision (ICCV), pp 4338–4347
- Zhang L, Zhang J, Lin Z, et al (2019) Capsal: Leveraging captioning to boost semantics for salient object detection. In: Proceedings of the IEEE/CVF Conference on Computer Vision and Pattern Recognition (CVPR), pp 6024–6033
- Zhang M, Ren W, Piao Y, et al (2020b) Select, supplement and focus for rgb-d saliency detection. In: Proceedings of the IEEE/CVF Conference on Computer Vision and Pattern Recognition (CVPR)
- Zhang M, Liu J, Wang Y, et al (2021c) Dynamic context-sensitive filtering network for video salient object detection. In: Proceedings of the IEEE/CVF International Conference on Computer Vision (ICCV), pp 1553–1563
- Zhao JX, Liu JJ, Fan DP, et al (2019) Egnnet: Edge guidance network for salient object detection. In: Proceedings of the IEEE/CVF International Conference on Computer Vision (ICCV)
- Zhao W, Zhang J, Li L, et al (2021) Weakly supervised video salient object detection. In: Proceedings of the IEEE/CVF Conference on Computer Vision and Pattern Recognition (CVPR), pp 16,826–16,835
- Zhou T, Fu H, Chen G, et al (2021) Specificity-preserving rgb-d saliency detection. In: Proceedings of the IEEE/CVF International Conference on Computer Vision (ICCV), pp 4681–4691
- Zhu C, Li G (2017) A three-pathway psychobiological framework of salient object detection using stereoscopic technology. In: Proceedings of the IEEE International Conference on Computer Vision (ICCV) Workshops
- Zhuge M, Fan DP, Liu N, et al (2023) Salient object detection via integrity learning. *IEEE Transactions on Pattern Analysis and Machine Intelligence* 45(3):3738–3752. <https://doi.org/10.1109/TPAMI.2022.3179526>