

MTS-Net: Dual-Enhanced Positional Multi-Head Self-Attention for 3D CT Diagnosis of May-Thurner Syndrome

Yixin Huang, Yiqi Jin, Ke Tao, Kaijian Xia, Jianfeng Gu, Lei Yu, Lan Du, *Senior Member, IEEE*, Cunjian Chen, *Senior Member, IEEE*

Abstract— May-Thurner Syndrome (MTS), also known as iliac vein compression syndrome or Cockett's syndrome, is a condition potentially impacting over 20 percent of the population, leading to an increased risk of iliofemoral deep venous thrombosis. In this paper, we present a 3D-based deep learning approach called MTS-Net for diagnosing May-Thurner Syndrome using CT scans. To effectively capture the spatial-temporal relationship among CT scans and emulate the clinical process of diagnosing MTS, we propose a novel attention module called the dual-enhanced positional multi-head self-attention (DEP-MHSA). The proposed DEP-MHSA reconsiders the role of positional embedding and incorporates a dual-enhanced positional embedding in both attention weights and residual connections. Further, we establish a new dataset, termed MTS-CT, consisting of 747 subjects. Experimental results demonstrate that our proposed approach achieves state-of-the-art MTS diagnosis results, and our self-attention design facilitates the spatial-temporal modeling. We believe that our DEP-MHSA is more suitable to handle CT image sequence modeling and the proposed dataset enables future research on MTS diagnosis. We make our code and dataset publicly available at: https://github.com/Nutingnon/MTS_dep_mhsa.

20% of the population, potentially leading to iliofemoral deep venous thrombosis (DVT) in patients, with a 2% to 3% chance of occurrence [2], [3]. MTS diagnosis predominantly relies on medical professionals' expertise through advanced imaging techniques, including venography and intravascular ultrasound (IVUS), ultrasound (US), computed tomographic (CT) or magnetic resonance imaging (MRI) [1]. Each imaging technology has its own strengths and limitations. The gold standard for the MTS diagnosis is IVUS [4]. However, this technique is invasive and costly, and the contrast agents may lead to allergic reactions, phlebitis or post-injection DVT. On the other hand, MRI has better contrast resolution and both MRI and US have no radiation hazards [5]. However, from patients' perspective, MRI always leads to much higher cost in price and time during examination than other methods. While ultrasound is considered the least expensive imaging method, it is highly sensitive and adept at assessing proximal lower extremity DVT. Therefore, ultrasound demonstrates limited sensitivity above the inguinal plane, making it unfeasible to evaluate the compressibility of the iliac vein [5], [6]. However, despite the radiation exposure associated with CT imaging, it demonstrates high sensitivity and specificity for the entire region. Additionally, it enables the reconstruction of multiple plane images with excellent details [5]. Medical experts often resort to Enhanced-CT examinations, which involve injecting a significant volume of contrast agent into the veins, to achieve clearer differentiation between the vein and adjacent tissues.

I. INTRODUCTION

MAY-THURNER Syndrome is a vascular disorder in which a vein in pelvis is anomaly compressed by surrounding tissues such as artery and bones [1]. Type I MTS refers to an anatomical variant in which the right common iliac artery overlies and compresses the left common iliac vein against the lumbar vertebrae. It exists in more than

Meanwhile, there is also limited research work on applying deep learning-based methods to MTS diagnosis. A notable study employed the DMRF-CNN [7] to train on a private ultrasound dataset, consisting of 34 male and 177 female patients. However, due to inherent limitations in using ultrasound imaging for MTS diagnosis and restricted access to private datasets in existing studies, there is a significant opportunity to leverage recent advances in deep learning for MTS diagnosis. On the other hand, AI-driven methods in medical image recognition thrive with the high-quality datasets that are continuously being collected and published. This is evidenced by annual challenges such as the brain tumor radiogenomic classification [8], intracranial hemorrhage detection [9], and cervical spine fracture detection [10]. The availability of these rich datasets has significantly advanced

Date of submission: 2024-06-07.

Yixin Huang, Lan Du and Cunjian Chen are with the Department of Data Science and AI, Monash University, Victoria, 3800, Melbourne, Australia (e-mail: yixin.huang@monash.edu, lan.du@monash.edu, cunjian.chen@monash.edu).

Yiqi Jin is with the Department of Vascular Surgery, The Affiliated Suzhou Hospital of Nanjing Medical University, Suzhou 215008 China (e-mail: dbssjyq@126.com).

Ke Tao, Kaijian Xia and Jianfeng Gu are with the Department of Vascular Surgery, Changshu Hospital Affiliated to Soochow University, Changshu 215500 China (e-mail: 20234155006@stu.suda.edu.cn, kjxia@suda.edu.cn).

Lei Yu is with the Central Laboratory, Guiyang Maternal and Child Health Hospital, Guiyang 550003 China (e-mail: myyl2004@163.com).

Yixin Huang and Yiqi Jin are co-first authors; Cunjian Chen and Ke Tao are co-corresponding authors.

deep learning for intelligent diagnosis in specific medical areas. While deep learning-based methods are widely applied in medical diagnosis, there is limited research specifically targeting May-Thurner Syndrome diagnosis, primarily due to the scarcity of public datasets for MTS diagnosis.

In this paper, we present MTS-Net, an end-to-end 3D neural network architecture designed to effectively model spatial-temporal relationship for improving MTS diagnosis using 3D CT scans. Specifically, MTS-Net enhances the vanilla 3D ResNet-18 by integrating a novel self-attention module, termed DEP-MHSA, within the Transformer encoder block at the network’s final two layers. The DEP-MHSA module is meticulously designed to employ a threefold convolution strategy, enabling it to extract features from multiple scales. It further amplifies the model’s capability by incorporating dual-enhanced positional embeddings at critical computation stages. This architecture is deliberately crafted to imitate the diagnostic strategies employed by medical experts in analyzing CT scans for MTS, thereby offering greater precision and adaptability. To further validate the effectiveness of the proposed approach, we conduct experiments on a comprehensive and gender-balanced CT dataset encompassing over 700 subjects. To the best of our knowledge, the dataset collected in this study is the first publicly accessible dataset for MTS diagnosis using 3D CT scans. The main contributions are summarized as follows:

- We propose a novel framework called MTS-Net, which extends 3D ResNet-18 with a novel residual transformer module for May-Thurner Syndrome diagnosis using 3D CT scans.
- We propose a new multi-head self-attention module called DEP-MHSA that effectively integrates dual-enhanced positional embeddings that emulates the clinical process of diagnosing MTS.
- We introduce the first publicly accessible MTS dataset, comprising standard and Enhanced-CT scans. This dataset serves as a foundational resource for future research in this domain.
- We evaluate the performance of our method comprehensively and demonstrate superior accuracy against existing methods on the proposed dataset.

The rest of the paper is organized as follows. Section II reviews recent work on 3D CNNs and Transformers. Section III introduces the proposed MTS-Net method, with emphasis on the DEP-MHSA. Section IV presents the new MTS-CT dataset, as well as discussing the experiments and results pertaining to the May-Thurner Syndrome diagnosis. Section V offers additional experiments to validate the effectiveness of using Enhanced-CT scans. Section VI concludes the work.

II. RELATED WORK

A. 3D CNNs.

3D Convolutional Neural Networks (3D CNNs) have shown remarkable success in a wide range of applications involving three-dimensional data [11]. These networks extend 2D CNNs by adding an additional dimension, enabling them to process 3D data effectively. The architecture of 3D CNNs provides a strong inductive bias on capturing local feature relationships in three dimensions. This capability is particularly crucial in medical imaging, where tumors or other diseased tissues often appear relatively small compared to the entire scanned regions. For instance, in the field of coronavirus disease diagnosis and prognosis management, researchers have employed 3D CNNs to recognize local anomaly patterns on lung CT scans [12], predict the prognosis situation [13] and identify brain tumors in MRI scans [14]. Additionally, 3D-based UNet [15] have been successfully used in medical image segmentation. SimUNet [16], designed for liver lesion segmentation, incorporated 3D CNNs with varying kernel sizes and modified the placement of residual connections for enhanced performance. Moreover, the method introduced in [17] employed carefully designed 3D CNNs within an encoder-decoder network to accurately model the shape of the brain connectome. Our work is fundamentally built upon existing 3D CNNs, enhanced with a novel spatial-temporal attention module.

B. Transformers.

Transformers [18] and the associated self-attention mechanisms [19] have revolutionized the field of deep learning in recent years. Initially developed for natural language processing, Transformers-based technologies [20]–[23] have demonstrated remarkable capabilities in medical imaging analysis across various tasks such as segmentation, classification, regression, as well as different modalities including CT, MRI, and X-ray [24], [25]. The self-attention mechanism, an integral component of the Transformer architecture, excels at modelling complex relationships among tokens in sequences. This is particularly beneficial in medical imaging analysis, where accurately modeling the relationships between anatomical structures is essential for precise diagnosis. For instance, MetaViT was introduced for the diagnosis of Parkinsonism [26], which adopts a vision transformer network with metabolism-aware blocks. These blocks incorporated a standard vision transformer layer enhanced by a novel inter-patch voxel-wise self-attention mechanism. Nevertheless, Transformers lack the inductive bias in modeling local structures. Therefore, some works directly incorporate a self-attention mechanism into models such as UNet [15] or ResNet to better explore such intrinsic inductive bias, as well as capturing long-range interactions. In this work, we take advantage of both Transformers and CNN structures for 3D CT Diagnosis of May-Thurner syndrome.

III. METHOD

In this section, we present our method MTS-Net, which introduces dual-enhanced positional multi-head self-attention in the residual transformer module, as shown in Fig. 1. We utilize 3D ResNet-18 consisting of a 2D spatial convolution followed by a 1D temporal convolution as the backbone [11]. Further, the final two layers are adapted to incorporate the proposed dual-enhanced positional multi-head self-attention block, as illustrated in Fig. 2. The proposed network draws macro-structural inspiration from BabyNet [23], which utilizes fetal ultrasound data to predict birth weight by employing a 3D ResNet-based network with the last layer substituted by its proposed residual transformer encoder block. At a micro level, the proposed module in this study draws inspiration from the diagnostic reasoning employed by medical experts in evaluating May-Thurner Syndrome through CT images. Specifically, medical experts first identify key frames from a complete set of CT scan images. They then analyze the spatial-temporal relationship between veins and bones within these key frames to arrive at a conclusive diagnosis. Therefore, the DEP-MHSA block mirrors their approach by placing distinct emphasis on the functions generating the Query, Key, and Value matrices in self-attention mechanism. This enhancement improves the model's diagnostic precision and aligns well with expert clinical procedures.

A. Model Architecture

Our proposed MTS-Net reuses the convolutional stem from the 3D ResNet-18 [11] by decomposing 3D convolution into 2D spatial and 1D temporal convolutions, referred to as the (2+1)D convolution. This stem is structured as two sequential operations of convolution, batch normalization, and ReLU (Conv-BN-ReLU) in the (2+1)D configuration, designed for the initial extraction of spatial-temporal features from CT scans.

Let x_0 denote the input CT scan clip, represented as a tensor in the space $\mathbb{R}^{L_0 \times C_0 \times H_0 \times W_0}$. Here, the dimensions of the tensor correspond to specific characteristics of the CT scan. L_0 represents the length of the clip in terms of the number of frames, capturing the temporal aspect of the scan. C_0 denotes the channel of the clip, with $C_0 = 1$ reflecting the grayscale nature of CT images. H_0 and W_0 denote the height and width of each frame, respectively, providing the spatial dimensions of the scan. This multi-dimensional representation is widely used when processing CT scans in medical imaging. Given the input CT clip x_0 , the computational sequence at the i -th layer is represented as $\mathcal{F}^{(i)}(\cdot; \theta^{(i)})$, where $\mathcal{F}^{(i)}$ denotes the functional operations and $\theta^{(i)}$ signifies the associated learnable parameters. Specifically, the resulting output from the convolutional stem layer can be expressed as:

$$x_1 = \mathcal{F}_T^{(0)}(\mathcal{F}_S^{(0)}(x_0; \theta_S); \theta_T). \quad (1)$$

Here, \mathcal{F}_S refers to the spatial computation sequence:

$$\mathcal{F}_S(x; \theta_S) = \sigma(\text{BN}(\text{Conv}(x; 1, k, k))), \quad (2)$$

where, Conv denotes the 2D spatial convolution, BN denotes batch normalization, σ represents non-linear activation function ReLU and k is the kernel size. On the other hand, \mathcal{F}_T indicates temporal computation sequence:

$$\mathcal{F}_T(x; \theta_T) = \sigma(\text{BN}(\text{Conv}(x; k, 1, 1))), \quad (3)$$

where Conv denotes the 1D temporal convolution instead. Such a combination, as indicated by Eq. (1), effectively forms what we refer to as the spatial-temporal structure of the convolutional stem. Then, we apply a series of layers, each layer is composed of two residual blocks. For first two layers, each residual block generally contains two spatial-temporal operation with residual connection:

$$x_i = \mathcal{F}^{(i)}(x_{i-1}; \theta^{(i)}) + x_{i-1}, \quad (4)$$

where x_i denotes the intermediate output from the $(i - 1)$ th layer $\mathcal{F}^{(i-1)}$ after the convolutional stem layer, i.e., $i > 1$. Note that the output from Layer 1, depicted in Fig. 1, retains the same height and width as the input clips. Specifically, Layer 1 is comprised of two residual spatial-temporal convolution blocks, similar to the one used in convolutional stem but containing a residual connection. Starting from the Layer 2, the height and width of the output undergo downsampling by a factor of 2 at each subsequent layer. Consequently, the dimensions of the resulting feature map from Layer 4 are reduced to $H_0/8$ for height and $W_0/8$ for width, respectively. Parallel to this spatial downsampling, the temporal dimension, denoted as L_0 from the input, is also progressively reduced, culminating in a downsampling to $L_0/4$ by the last residual layer. The projection head is composed of a global average pooling (GAP) operation and a fully-connected layer which maps the intermediate output from Layer 4 to final predicted output.

B. Dual-Enhanced Positional Multi-Head Self-Attention

The multi-head self-attention mechanism often requires prohibitive computational resources for long input sequences. In our experiments, the input size for layer 1 and layer 2 are $12 \times 128 \times 128$ and $12 \times 64 \times 64$ (representing frames, height, and width, respectively), which become excessively large when flattened for self-attention processing. Consequently, we put our novel self-attention module, DEP-MHSA, in layers 3 and 4, rather than in the initial layers. Traditionally, most studies that incorporate self-attention mechanism for visual tasks have employed $1 \times 1 \times 1$ convolution to map the input to the Query, Key and Value matrices [23], [27]. However, drawing the inspiration from the clinic process in diagnosing May-Thurner Syndrome, the proposed self-attention block, illustrated in Fig. 2, adopts different configurations for generating the Query, Key, and Value matrices, where $Q = W_Q^{(i)} \cdot \varphi(z)$, $K = W_K^{(i)} \cdot \tau(z)$ and $V = W_V^{(i)} \cdot \rho(z)$. Here, W_Q , W_K and W_V represent distinct weight matrices that transform the input into Query (Q), Key (K) and Value (V). $\varphi(z)$, $\tau(z)$ and $\rho(z)$ are flattened intermediate representation in the space $\mathbb{R}^{1 \times c \times (h \times w)}$.

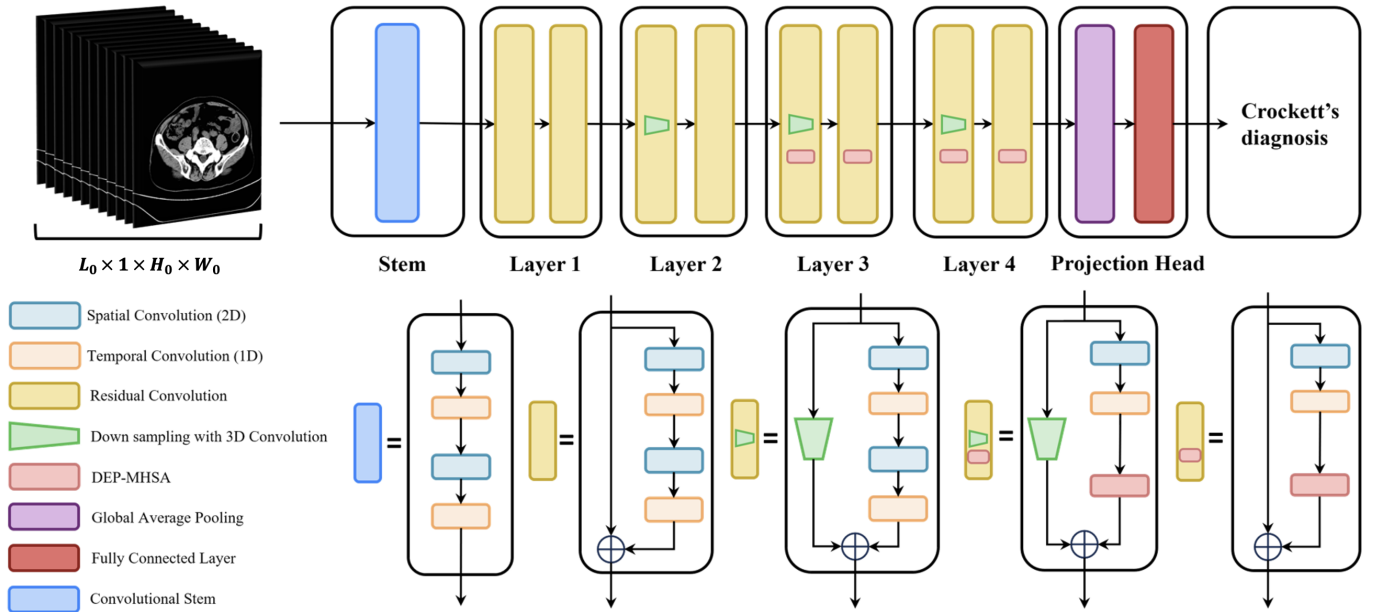


Fig. 1: The overview illustrates our approach for diagnosing May-Thurner Syndrome from the input CT scan videos. This methodology is anchored in the modified ResNet-18 (2+1)D architecture. Uniquely, we have transformed the standard Spatial-Temporal convolution in the final two layers into our proposed Multi-Head Self-Attention module. The first row of the figure shows the overall structure of the network from input to output, and the five diagrams to the right of the second row show the more detailed composition of each block in the overall structure diagram corresponding to the first row. This designed adaption is inspired by the logic behind the diagnosing process of medical experts, thereby significantly improving performance in identifying May-Thurner syndrome.

Besides, we significantly amplify the role of positional embeddings through both the computation of attention weights and residual connection to the block's output. Specifically, the strategically refined configuration of multi-head self-attention is described as follows:

- The $\varphi(\cdot)$ is a 3D convolution operation with $1 \times 3 \times 3$ kernel size for frames, height, and width respectively. The $\tau(\cdot)$ is a $3 \times 1 \times 1$ convolution. For the $\rho(\cdot)$, we use (1+2)D settings that a $3 \times 1 \times 1$ convolution followed by a $1 \times 3 \times 3$ convolution. This design emulates the medical diagnosis process of experts, as they quickly select key frames by going through the CT scan video (Query). The experts then take a closer look at these key frames (Key) and speculate on the position and relationship of human tissue in the three-dimensional space based on the order and content of each frame (Value).
- To fully utilize the relative position information, we draw lessons from the popular self-attention practices [18], [19], [21], [28] that add relative position embeddings to the output. Besides, we also consider fusing the relative positional embeddings into the attention weight calculation process [23], [29].

Relative Position Encoding The relative position is encoded across three dimensions: height, width, and time frames. Let $E_H \in \mathbb{R}^{C \times 1 \times H \times 1}$, $E_W \in \mathbb{R}^{C \times 1 \times 1 \times W}$, and $E_F \in \mathbb{R}^{C \times L \times 1 \times 1}$ represent the height, width, and frame position encodings, respectively. The overall relative position encoding E is then

computed as:

$$E = E_H + E_W + E_F, \quad (5)$$

where $E \in \mathbb{R}^{C \times L \times H \times W}$, combining the influences from each dimension.

Transformation for Multi-Head Attention. The encoded tensor E is reshaped to facilitate multi-head attention, forming a new tensor M , which is in shape of $(F, H \times W, \frac{C}{n_{head}})$ where F , H , W , and n_{head} denote the number of frames, height, width, and the number of attention heads, respectively.

Multi-Head Self-Attention. The self-attention mechanism for each head is computed as follows. Let Q_i , K_j , and V_j denote the query, key, and value vectors. The attention scores e_{ij} between each query Q_i and key K_j , modified by the relative position matrix M_j , are calculated by:

$$e_{ij} = \frac{Q_i \cdot (K_j^T + M_j)}{\sqrt{d}}, \quad (6)$$

where d is the scaling factor, typically the dimensionality of the key vectors. The attention weights a_{ij} are then obtained using the softmax function:

$$a_{ij} = \frac{\exp(e_{ij})}{\sum_{j=1}^N \exp(e_{ij})}. \quad (7)$$

Subsequently, the output vector Y_i for each query is derived by aggregating over all values V_j , weighted by the computed

attention weights:

$$Y_i = \sum_{j=1}^N a_{ij} V_j, \quad (8)$$

where N is the total number of keys and values.

Output Reshaping and Final Adjustment. The resulting attention outputs are reshaped back to the original dimensions and combined with the original position encodings: $output = Y + E$, where $Y \in \mathbb{R}^{C \times F \times H \times W}$ represents the output of the attention mechanism, and the addition operation integrates the learned attention with the original relative position encodings.

C. Model Variants

To ascertain whether the effectiveness of DEP-MHSA stems from its medically-inspired logic rather than from an increased parameter size, we evaluate its performance across permutations with similar logic but different sequence in generating matrices Query, Key, and Value, as depicted in Fig. 2. We rigorously tested variants named DEP-MHSA-B, DEP-MHSA-C, and DEP-MHSA-D. Specifically, DEP-MHSA-B alternates the convolution settings for generating Query and Key, and reverses the convolution sequence in Value generation. DEP-MHSA-C solely reverses the convolution sequence in Value generation, while DEP-MHSA-D exclusively swaps the convolution settings between Query and Key.

IV. EXPERIMENTS

A. Dataset and Evaluation Metrics

a) MTS-CT Dataset.: The self-collected dataset consists of 747 subjects for May-Thurner syndrome diagnosis. Each subject comprises 10 to 12 frames. Notably, 366 of these subjects possess both CT scan images and their corresponding Enhanced-CT scan images. MTS-CT has a balanced gender distribution, comprising 396 males and 351 females, with an average patient age of 62.4 years. The CT scan images were acquired by experienced radiologic technologists specializing in CT. The device used for CT scan data collection is called United Imaging uCT 960+. The data has been expertly assessed and categorized into two distinct groups based on the level of severity of the stenosis: light-to-moderate, and moderate-to-severe. The diagnosis of severity is based on the area stenosis rate measured by CT. Specifically, We compared the diameter of the narrowest venous segment with the diameter of the normal vascular segment to calculate the area stenosis rate, with a threshold set at 50% stenosis rate. No more than 50% is defined as light-to-moderate (labelled as negative), with more than 50% being defined as moderate-to-severe (labelled as positive). Figure 3 and Figure 4 shows negative and positive samples from dataset respectively.

Preprocessing. Each CT scan image is originally saved in DICOM format at a resolution of 512×512 pixels. The patient-specific information is anonymized and de-identified to comply

with regulations regarding the sharing of medical images. Each image undergoes a transformation using a grey-scale mapping function, also known as a windowing function, with a window center of 50 and a width of 200. This transformation maps Hounsfield units (HU) to standardized pixel value from 0 to 255. Since medical experts primarily concentrate on the lumbar vertebrae, adjacent arteries, and veins in the central region of CT scans to diagnose MTS, we therefore apply a center crop to the image, as illustrated in Figure 5.

Metrics. In this work, we use the following metrics to evaluate our proposed method. Specifically, we employ accuracy, F1-Score and area under curve (AUC) for MTS classification of 3D CT scans under various settings.

B. Implementation Details

We have chosen 100 subjects for our test set, ensuring a balanced positive-negative ratio of 50:50. The remaining data were utilized as training and validation set for various tasks. When integrating the DEP-MHSA attention mechanism into the network, it was only applied to the final two layers, i.e., Layer 3 and Layer 4. This implementation was selected by considering the balance between augmenting the network’s capability for feature extraction and maintaining computational efficiency. MTS-Net was implemented in PyTorch and trained through an NVIDIA RTX 4090 24GB GPU with a mini-batch size of 32. An initial learning rate of 5×10^{-4} was used with a step decay by a factor of $g = 0.2$ every 25th epoch until convergence over 100 epochs. We run each configuration 10 times and report the results on test set with the average and standard deviation of three evaluation metrics. We established the architectural frameworks of ResNet-18 with both 3D and (2+1)D convolutions [11] as baselines, with distinctions summarized as follows.

ResNet-18 (2+1)D. This design decomposes 3D convolutions into separate spatial and temporal components, as detailed in Section III-A. In the stem layer, the spatial convolution uses a $1 \times 7 \times 7$ kernel, while the temporal convolutions employs a $3 \times 1 \times 1$ kernel. For the remaining network layers, kernel sizes are adjusted to $1 \times 3 \times 3$ for spatial and $3 \times 1 \times 1$ for temporal convolutions, except for those specified in the attention modules at Layer 3 and Layer 4.

ResNet-18 (3D). The stem layer in this design employs a convolution kernel of size $3 \times 7 \times 7$ in its Conv-BN-ReLU sequence. Subsequent convolutions throughout the network consistently apply a $3 \times 3 \times 3$ kernel except for those specified in the attention modules at Layer 3 and Layer 4.

In addition to the DEP-MHSA module, we have also implemented other attention mechanisms for comparison purpose in Table I. Except where specifically noted, all convolution kernels in these self-attention modules follow a $1 \times 1 \times 1$ configuration. Note that the configurations regarding different attention mechanisms and 3D convolutions are stated in

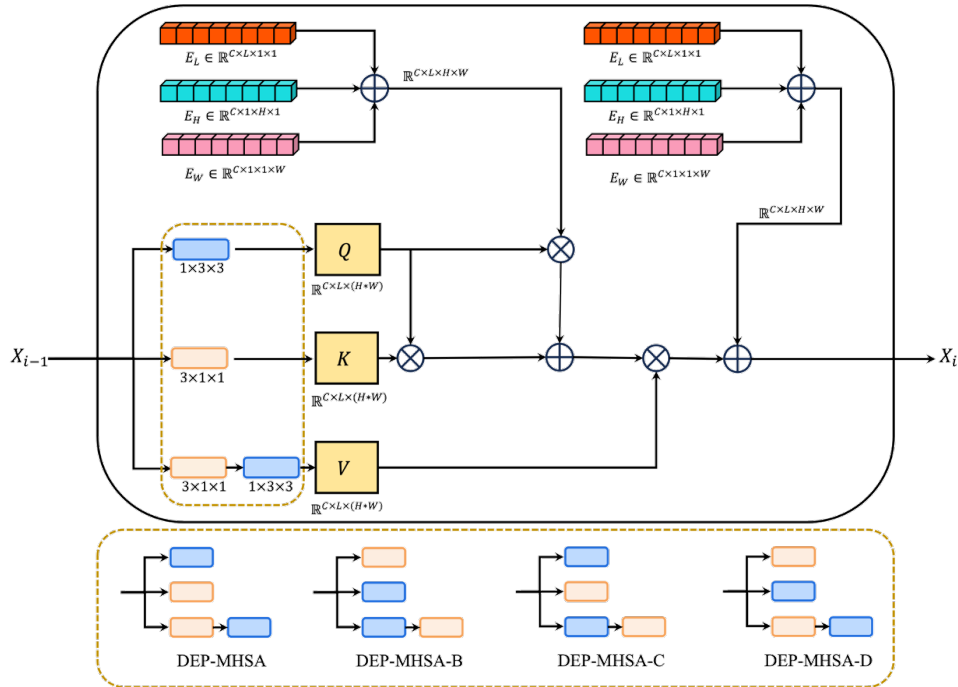


Fig. 2: A detailed schematic representation of the dual-enhanced positional multi-head self-attention (DEP-MHSA) module. The highlighted yellow dotted region illustrates the critical component where input x is mapped to the Query (Q), Key (K), and Value (V) matrices for the self-attention computation. It can have 4 variants as listed. The symbols E_L , E_H and E_W denote the relative position embeddings corresponding to frames, height, and width, respectively. This first set of relative position embeddings participates to the calculation of QK^T , and the second set of relative position embeddings behave as residual connection.

Section IV-B.

3D Self-Attention. This mechanism was implemented in a manner akin to the multi-head self-attention (MHSA) methods outlined in [23], [29]. It utilizes 3D relative positional encodings integrated into the Key matrix. In its multi-head architecture, the intermediate representation's channels are segmented by the number of heads, and the final two dimensions of $\mathbb{R}^{L \times C \times H \times W}$ are flattened to generate the Query, Key, and Value matrices.

(2+1)D Self-Attention. In line with approaches described in [22], [27], this two-step mechanism first applies MHSA on the $H \times W$ spatial dimensions and then on the temporal (frames) dimension.

Channel-wise Vanilla Attention. The implementation of channel-wise attention module follows the design presented in [30], utilizing a Conv-ReLU-Conv- $\sigma(x)$ sequence to derive attention weights. The first Conv of the sequence is a convolution with a kernel size of $1 \times 3 \times 3$ and the second convolution uses a kernel size of $3 \times 1 \times 1$. The $\sigma(x)$ is a sigmoid function which maps outputs to the range of $(0, 1)$. The output undergoes an adaptive average pooling across channels before being channel-wise multiplied with the input x .

(2+1)D Vanilla Attention. The design of this module is similar to the channel-wise attention framework. Distinctively,

it comprises **two** Conv-ReLU-Conv- $\sigma(x)$ sequences. The first sequence, all convolution operation utilize $1 \times 3 \times 3$ kernels for spatial emphasis on the $H \times W$ dimensions. In contrast, the second sequence employs $3 \times 1 \times 1$ kernels, focusing on temporal features.

C. Comparison with State-of-the-Art

a) Baselines. In this study, we utilize a variety of models for comprehensive benchmarking, encompassing both classic and cutting-edge deep learning approaches for the classification of May-Thurner Syndrome (MTS) using 3D CT scans.. Considering the dataset size, we establish our baseline using a vanilla 3D ResNet-18 [31], [32]. We further analyze the impact of employing a larger model or fine-tuning with a pre-trained model [33]. Additionally, we conduct comparative experiments with models utilizing (2+1)D convolutions [11], as well as those equipped with attention mechanisms. Specifically, we explore various attention mechanisms for this task such as multi-head self attention [23], spatial-temporal attention, and channel-wise attention [34]. We adopted 3D self-attention implementation from [23], and (2+1)D self-attention implementation from [27]. For DenseNet-BC($k=32$, depth=201), we adopt the implementation from [35], [36]. All models are trained under consistent settings.

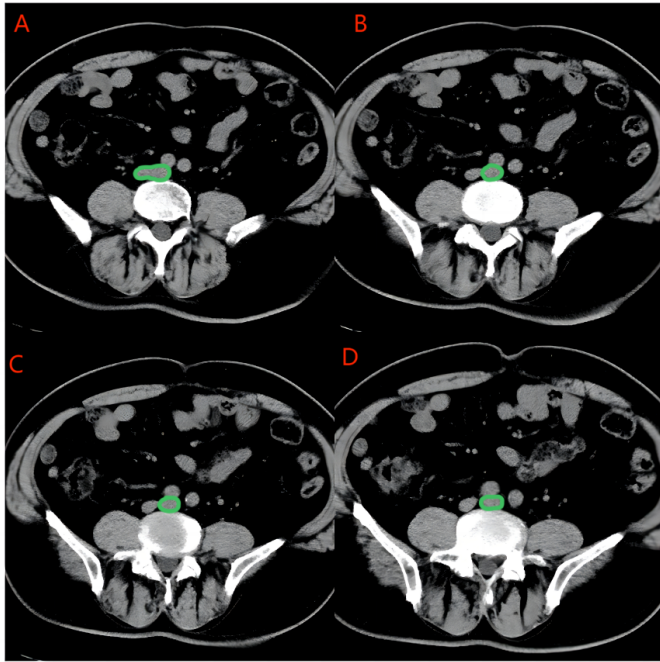


Fig. 3: Pic. A: Green mark is the bifurcation of the inferior vena cava, which is divided into left and right common iliac vein; Pic. B-D: The green mark is the left common iliac vein, which is visible between the surrounding right common iliac artery and the fifth lumbar spine, with no obvious compression stenosis.

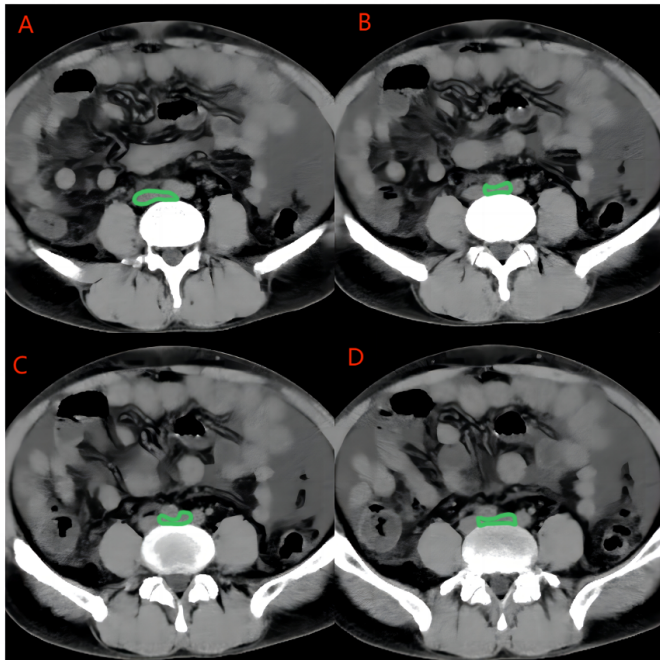


Fig. 4: Pic. A-B: The green mark is the bifurcation of the inferior vena cava, so that the left common iliac vein is significantly compressed by the right common iliac artery and the fifth lumbar spine; Pic. C-D: the left common iliac vein is significantly compressed, and the estimated stenosis rate is greater than 80%.

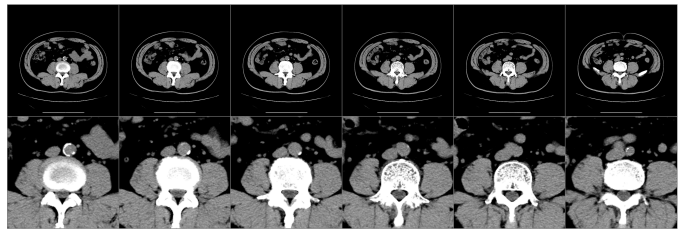


Fig. 5: The first row is a subset of CT scans from a subject labelled as light-to-moderate before center cropped. The second row is the associated images after center cropped.

b) Human Experts.: We engaged five radiologists, each with approximately ten years of experience, to interpret CT images for the 100 patients. They achieved an average diagnostic accuracy of 78.4%. The F1-Score is not reported and the AUC score is not applicable in this case.

Evaluation and Analysis. Table I shows quantitative comparisons between (a) proposed method: MTS-Net and (b) baseline methods: ResNet-18 (2+1)D [11], ResNet-18 (3D) [11]. We discover that without any attention mechanisms, the spatial-temporal structure of ResNet-18 (2+1)D has better performance than ResNet-18 (3D). Our baseline analysis also reveals that the integration of attention modules into neural networks does not consistently lead to enhanced performance. The most optimal outcome in our study is achieved through the implementation of the proposed method. Utilizing the spatial-temporal architecture of ResNet-18, our novel dual-enhanced positional multi-head self-attention (DEP-MHSA) mechanism attains highest average score in all metrics. Additionally, training from scratch for models with larger capacity such as ResNet-50, ResNeXt-50 [37] and DenseNet-BC [35] does not guarantee performance enhancement. However, fine-tuning with the pre-trained ResNet-50 [33] can achieve better results. In summary, models with similar depth as ResNet-18 have sufficient capability for the scope and scale of our MTS-CT dataset. This suggests that models with more layers may not necessarily yield better performance in this specific context.

D. Ablation Study

We conduct an ablation study to understand the effectiveness of MTS-Net with respect to the DEP-MHSA module. Table II underscores the enhanced performance achieved through the DEP-MHSA module, which employs meticulously chosen strategies to generate Q, K, V matrices and augments position information using dual-enhanced positional embeddings in self-attention. The backbone network used is ResNet-18 (2+1)D with variation in its attention module and position embedding. The MHSA(3D) refers to the multi-head self-attention module mentioned in [23], and the MHSA(2+1)D denotes the self-attention module with proposed method in generating Q, K and V . The DEP-Embedding indicates the dual-enhanced position embedding in the attention block. Further, Table III shows another ablation study which validates the effectiveness of various configurations for generating the

TABLE I: Evaluation of the proposed method on MTS-CT dataset.

Network	Self-Attention		Vanilla Attention		Metrics		
	(2+1)D [27]	3D [29]	(2+1)D	Channel [34]	Accuracy	F1-Score	AUC
ResNet-18 (2+1)D [11]	✗	✗	✗	✗	0.75 ± 0.01	0.73 ± 0.02	0.78 ± 0.02
	✓	✗	✗	✗	0.73 ± 0.01	0.72 ± 0.02	0.77 ± 0.03
	✗	✓	✗	✗	0.73 ± 0.02	0.71 ± 0.05	0.78 ± 0.03
	✗	✗	✓	✗	0.73 ± 0.01	0.70 ± 0.01	0.75 ± 0.03
ResNet-18 (3D) [11]	✗	✗	✗	✗	0.75 ± 0.02	0.73 ± 0.03	0.79 ± 0.03
	✓	✗	✗	✗	0.73 ± 0.01	0.72 ± 0.01	0.75 ± 0.02
	✗	✓	✗	✗	0.69 ± 0.04	0.65 ± 0.07	0.70 ± 0.04
	✗	✗	✓	✗	0.74 ± 0.03	0.72 ± 0.05	0.78 ± 0.04
ResNet-50	✗	✗	✗	✗	0.73 ± 0.01	0.70 ± 0.01	0.75 ± 0.02
	✓	✗	✗	✗	0.70 ± 0.01	0.67 ± 0.04	0.72 ± 0.02
	✗	✓	✗	✗	0.74 ± 0.02	0.74 ± 0.03	0.76 ± 0.02
	✗	✗	✗	✗	0.76 ± 0.02	0.75 ± 0.02	0.79 ± 0.02
ResNet-50 (Pretrained) [33]	✗	✗	✗	✗	0.72 ± 0.02	0.70 ± 0.02	0.75 ± 0.02
ResNeXt-50 [37]	✗	✗	✗	✗	0.73 ± 0.01	0.72 ± 0.02	0.77 ± 0.03
DenseNet-BC [35], [36]	✗	✗	✗	✗	0.73 ± 0.01	0.72 ± 0.02	0.77 ± 0.03
BabyNet [23]					0.73 ± 0.03	0.71 ± 0.05	0.76 ± 0.03
Human Experts					0.78 ± 0.04	-	-
MTS-Net(Ours)			Attention = DEP-MHSA		0.79 ± 0.01	0.78 ± 0.02	0.84 ± 0.01

TABLE II: The ablation study conducted on the proposed components of the DEP-MHSA.

MHSA(3D)	Methods		Metrics			Params
	MHSA(2+1)D	DEP-Embedding	Accuracy	F1-Score	AUC	
✓	✗	✗	0.73 ± 0.02	0.71 ± 0.05	0.78 ± 0.03	17.41M
✓	✗	✓	0.75 ± 0.02	0.75 ± 0.02	0.79 ± 0.02	17.45M
✗	✓	✗	0.69 ± 0.01	0.65 ± 0.05	0.74 ± 0.01	31.13M
✗	✓	✓	0.79 ± 0.01	0.78 ± 0.02	0.84 ± 0.01	31.17M

TABLE III: Comparing four configuration of generating matrices for self-attention

Variants	Accuracy	F1-Score	AUC
DEP-MHSA	0.79 ± 0.01	0.78 ± 0.02	0.84 ± 0.01
DEP-MHSA-B	0.75 ± 0.02	0.73 ± 0.01	0.80 ± 0.02
DEP-MHSA-C	0.70 ± 0.03	0.67 ± 0.06	0.74 ± 0.04
DEP-MHSA-D	0.76 ± 0.03	0.75 ± 0.04	0.82 ± 0.03

Query, Key, and Value matrices, i.e., DEP-MHSA, DEP-MHSA-B, DEP-MHSA-C and DEP-MHSA-D. Our proposed DEP-MHSA consistently outperforms other configurations, underscoring the superiority of our meticulously designed structure, which mirrors the diagnostic logic of medical experts.

V. DISCUSSION

CT vs. Enhanced-CT. Our study focuses on May-Thurner Syndrome classification by proposing a novel self-attention module that demonstrates superior performance using 3D CT scans. In this section, we further conduct the performance comparison between CT scans and Enhanced-CT scans through the proposed method. Enhanced-CT technique has been shown to assist medical experts in improving accuracy in diagnosing May-Thurner Syndrome compared to CT scans. Therefore, we perform another in-depth analysis aiming to determine whether deep learning approaches can achieve similar benefits from the Enhanced-CT technique. As seen in Table IV, the training set and validation set are in size of 263 in total, which is significantly less than the experiments which

TABLE IV: The performance comparison between CT videos and Enhanced-CT videos under the same training settings.

Data	Accuracy	F1-Score	AUC
CT	0.69 ± 0.03	0.65 ± 0.03	0.74 ± 0.04
Enhanced-CT	0.79 ± 0.02	0.77 ± 0.03	0.84 ± 0.03

are exclusively carried only CT scans in Table I,II, and Table III. With the limited training dataset, a significant performance gap is observed between the two types of data, indicating that enhanced CT scans enable better diagnostic performance with fewer training samples.

Dataset Size. The dataset used in this study, despite having a small number of frames for each subject, includes a relatively large number of subjects (747 subjects) compared to other popular CT scan image datasets [38]–[41]. To our knowledge, this is the first publicly available CT scan dataset for May-Thurner Syndrome. Its significance is highlighted by the fact that around 20% of the population are likely to have this anatomical variant [2], [42], [43], laying the groundwork for further studies.

Parameter Size. Table II shows that our MHSA(2+1)D approach significantly increases the model’s parameters, nearly doubling those of the standard ResNet-18(2+1)D. Performance variance is observed with and without DEP-Embedding, attributed to the disruption of relative positional information arising from distinct strategies for generating Q , K and V matrices. While these strategies enrich the model’s intermediate representations, they complicate the alignment across dimensions in subsequent computations. In contrast, a uniform approach to generating Q , K and V maintains this crucial alignment. Thus, the introduction of dual-enhanced position embedding becomes necessary, making it easier to restore the lost relative positional information and enhancing performance in our MHSA(2+1)D module.



Fig. 6: The figure shows a comparative display of CT and Enhanced-CT scan images with even-numbered rows depicting Enhanced-CT scans and odd-numbered rows illustrating CT scans. The Enhanced-CT images are distinctly characterized by more highlighted regions compared to the CT images. Each pair of successive rows, from top to bottom, represents CT and Enhanced-CT scans from the same subject. The first two subjects, corresponding to rows 1 through 4, are labeled as negative, while the subjects in rows 5 to 8 are labeled as positive.

VI. CONCLUSIONS

In this paper, we introduced MTS-Net, a novel framework for classifying May-Thurner Syndrome using 3D CT scans. MTS-Net integrates a new multi-head self-attention module called DEP-MHSA, which emulates the clinical process of diagnosing MTS through dual-enhanced positional embeddings. Additionally, we presented the first publicly available MTS-CT dataset to validate the effectiveness of our proposed method. Extensive experiments show that MTS-Net significantly outperforms previous state-of-the-art and baseline methods.

VII. REFERENCES

- [1] Lorraine M Wolpert, Omid Rahmani, Barry Stein, James J Gallagher, and A David Drezner. Magnetic resonance venography in the diagnosis and management of may-thurner syndrome. *Vascular and endovascular surgery*, 36(1):51–57, 2002.
- [2] Shivani Kalu, Payal Shah, Aparna Natarajan, Nwabundo Nwankwo, Usman Mustafa, and Nasir Hussain. May-thurner syndrome: A case report and review of the literature. *Case reports in vascular medicine*, 2013:740182–5, 2013.
- [3] Matthew Peters, Rashad Khazi Syed, Morgan Katz, John Moscona, Christopher Press, Vikram Nijjar, Mohannad Bisharat, and Drew Baldwin. May-thurner syndrome: a not so uncommon cause of a common condition. In *Baylor University Medical Center Proceedings*, volume 25, pages 231–233. Taylor & Francis, 2012.
- [4] Daniel L Belkin, Mitchell D Belkin, Maedeh Ashrafi, Charan Vegivinti, Yung-Hsien Wang, and Leonidas Palaiodimos. How point-of-care ultrasound led to a diagnosis of may-thurner syndrome. *POCUS journal*, 6(2):76–79, 2021.
- [5] M-Grace Knuttinen, Sailendra Naidu, Rahmi Oklu, Scott Kriegshauser, William Eversman, Lisa Rotellini, and Patricia E Thorpe. May-thurner: diagnosis and endovascular management. *Cardiovascular diagnosis and therapy*, 7(Suppl 3):S159, 2017.
- [6] Levent Oguzkurt, Ugur Oezkan, Fahri Tercan, and Zafer Koç. Ultrasonographic diagnosis of iliac vein compression (may-thurner) syndrome. *Diagnostic and Interventional Radiology*, 13(3):152, 2007.
- [7] Y Bai, F Bo, W Ma, H Xu, and D Liu. Effect of interventional therapy on iliac venous compression syndrome evaluated and diagnosed by artificial intelligence algorithm-based ultrasound images. *Journal of Healthcare Engineering*, 2021:5755671–5755671, 2021.
- [8] S Bakas, U Baid, E Calabrese, C Carr, E Colak, K Farahani, AE Flanders, J Kalpathy-Cramer, FC Kitamura, B Menze, et al. Rsna-miccai brain tumor radiogenomic classification. *Link to the Kaggle challenge*, 2021.
- [9] Anouk Stein, MD, Carol Wu, Chris Carr, George Shih, et al. Rsna intracranial hemorrhage detection, 2019.
- [10] Adam Flanders, Chris Carr, Errol Colak, Felipe Kitamura, Hui Ming Lin, Jeff Rudie, John Mongan, Katherine Andriole, Luciano Prevedello, Michelle Riopel, Robyn Ball, and Sohier Dane. Rsna 2022 cervical spine fracture detection, 2022.
- [11] D. Tran, H. Wang, L. Torresani, J. Ray, Y. LeCun, and M. Paluri. A closer look at spatiotemporal convolutions for action recognition. In *2018 IEEE/CVF Conference on Computer Vision and Pattern Recog-*

- tion (CVPR), pages 6450–6459, Los Alamitos, CA, USA, jun 2018. IEEE Computer Society.
- [12] Xiaoyan Wang, Yiwen Yuan, Dongyan Guo, Xiaojie Huang, Ying Cui, Ming Xia, Zhenhua Wang, Cong Bai, and Shengyong Chen. Ss-net: Spatial self-attention network for covid-19 pneumonia infection segmentation with semi-supervised few-shot learning. *Medical Image Analysis*, 79:102459, 2022.
- [13] Zabir Al Nazi, Fazla Rabbi Mashrur, Md Amirul Islam, and Shumit Saha. Fibro-cosonet: pulmonary fibrosis prognosis prediction using a convolutional self attention network. *Physics in Medicine & Biology*, 66(22):225013, 2021.
- [14] S Deepak and PM Ameer. Brain tumor classification using deep cnn features via transfer learning. *Computers in biology and medicine*, 111:103345, 2019.
- [15] Olaf Ronneberger, Philipp Fischer, and Thomas Brox. U-net: Convolutional networks for biomedical image segmentation. In *Medical Image Computing and Computer-Assisted Intervention–MICCAI 2015: 18th International Conference, Munich, Germany, October 5-9, 2015, Proceedings, Part III 18*, pages 234–241. Springer, 2015.
- [16] Adi Szeskin, Shalom Rochman, Snir Weiss, Richard Lederman, Jacob Sosna, and Leo Jaskowicz. Liver lesion changes analysis in longitudinal cect scans by simultaneous deep learning voxel classification with simnet. *Medical Image Analysis*, 83:102675, 2023.
- [17] Haocheng Dai, Martin Bauer, P. Thomas Fletcher, and Sarang Joshi. Modeling the shape of the brain connectome via deep neural networks. In Alejandro Frangi, Marleen de Bruijne, Demian Wassermann, and Nassir Navab, editors, *Information Processing in Medical Imaging*, pages 291–302, Cham, 2023. Springer Nature Switzerland.
- [18] Ashish Vaswani, Noam Shazeer, Niki Parmar, Jakob Uszkoreit, Llion Jones, Aidan N Gomez, Lukasz Kaiser, and Illia Polosukhin. Attention is all you need. *Advances in neural information processing systems*, 30, 2017.
- [19] Peter Shaw, Jakob Uszkoreit, and Ashish Vaswani. Self-attention with relative position representations. *arXiv preprint arXiv:1803.02155*, 2018.
- [20] Guoping Xu, Xuan Zhang, Xinwei He, and Xinglong Wu. Levit-unet: Make faster encoders with transformer for medical image segmentation. In *Chinese Conference on Pattern Recognition and Computer Vision (PRCV)*, pages 42–53. Springer, 2023.
- [21] Zekai Chen, Devansh Agarwal, Kshitij Aggarwal, Wiem Safta, Mariann Micsinai Balan, and Kevin Brown. Masked image modeling advances 3d medical image analysis. In *Proceedings of the IEEE/CVF Winter Conference on Applications of Computer Vision*, pages 1970–1980, 2023.
- [22] Anurag Arnab, Mostafa Dehghani, Georg Heigold, Chen Sun, Mario Lučić, and Cordelia Schmid. Vivit: A video vision transformer. In *2021 IEEE/CVF International Conference on Computer Vision (ICCV)*, pages 6816–6826. IEEE, 2021.
- [23] Szymon Plotka, Michal K Grzeszczyk, Robert Brawura-Biskupski-Samaha, Paweł Gutaj, Michał Lipa, Tomasz Trzcifski, and Arkadiusz Sitek. BabyNet: Residual transformer module for birth weight prediction on fetal ultrasound video. In *International Conference on Medical Image Computing and Computer-Assisted Intervention*, pages 350–359. Springer, 2022.
- [24] Fahad Shamshad, Salman Khan, Syed Waqas Zamir, Muhammad Haris Khan, Munawar Hayat, Fahad Shahbaz Khan, and Huazhu Fu. Transformers in medical imaging: A survey. *Medical Image Analysis*, 88:102802, 2023.
- [25] Giorgos Papanastasiou, Nikolaos Dikaios, Jiahao Huang, Chengjia Wang, and Guang Yang. Is attention all you need in medical image analysis? a review. *IEEE Journal of Biomedical and Health Informatics*, 2023.
- [26] Lin Zhao, Hexin Dong, Ping Wu, Jiaying Lu, Le Lu, Jingren Zhou, Tianming Liu, Li Zhang, Ling Zhang, Yuxing Tang, et al. Metavit: Metabolism-aware vision transformer for differential diagnosis of parkinsonism with 18 f-fdg pet. In *International Conference on Information Processing in Medical Imaging*, pages 132–144. Springer, 2023.
- [27] Ludan Ruan, Yiyang Ma, Huan Yang, Huiguo He, Bei Liu, Jianlong Fu, Nicholas Jing Yuan, Qin Jin, and Baining Guo. Mm-diffusion: Learning multi-modal diffusion models for joint audio and video generation. In *CVPR*, 2023.
- [28] Daquan Zhou, Bingyi Kang, Xiaojie Jin, Linjie Yang, Xiaochen Lian, Zihang Jiang, Qibin Hou, and Jiashi Feng. Deepvit: Towards deeper vision transformer. *arXiv preprint arXiv:2103.11886*, 2021.
- [29] Aravind Srinivas, Tsung-Yi Lin, Niki Parmar, Jonathon Shlens, Pieter Abbeel, and Ashish Vaswani. Bottleneck transformers for visual recognition. In *Proceedings of the IEEE/CVF conference on computer vision and pattern recognition*, pages 16519–16529, 2021.
- [30] Syed Waqas Zamir, Aditya Arora, Salman Khan, Munawar Hayat, Fahad Shahbaz Khan, Ming-Hsuan Yang, and Ling Shao. Multi-stage progressive image restoration. In *CVPR*, 2021.
- [31] Shuiwang Ji, Wei Xu, Ming Yang, and Kai Yu. 3d convolutional neural networks for human action recognition. *IEEE Transactions on Pattern Analysis and Machine Intelligence*, 35(1):221–231, 2013.
- [32] Du Tran, Lubomir Bourdev, Rob Fergus, Lorenzo Torresani, and Manohar Paluri. Learning spatiotemporal features with 3d convolutional networks. In *Proceedings of the IEEE international conference on computer vision*, pages 4489–4497, 2015.
- [33] Sihong Chen, Kai Ma, and Yefeng Zheng. Med3d: Transfer learning for 3d medical image analysis. *arXiv preprint arXiv:1904.00625*, 2019.
- [34] Jie Hu, Li Shen, and Gang Sun. Squeeze-and-excitation networks. In *Proceedings of the IEEE conference on computer vision and pattern recognition*, pages 7132–7141, 2018.
- [35] Gao Huang, Zhuang Liu, Laurens Van Der Maaten, and Kilian Q Weinberger. Densely connected convolutional networks. In *Proceedings of the IEEE conference on computer vision and pattern recognition*, pages 4700–4708, 2017.
- [36] Kenso Hara, Hirokatsu Kataoka, and Yutaka Satoh. Can spatiotemporal 3d cnns retrace the history of 2d cnns and imagenet? In *Proceedings of the IEEE Conference on Computer Vision and Pattern Recognition (CVPR)*, pages 6546–6555, 2018.
- [37] Saining Xie, Ross Girshick, Piotr Dollár, Zhuowen Tu, and Kaiming He. Aggregated residual transformations for deep neural networks. In *Proceedings of the IEEE conference on computer vision and pattern recognition*, pages 1492–1500, 2017.
- [38] Blaine Rister, Darvin Yi, Kaushik Shivakumar, Tomomi Nobashi, and Daniel L Rubin. Ct-org, a new dataset for multiple organ segmentation in computed tomography. *Scientific Data*, 7(1):381, 2020.
- [39] Nicholas Heller, Fabian Isensee, Klaus H Maier-Hein, Xiaoshuai Hou, Chunmei Xie, Fengyi Li, Yang Nan, Guangrui Mu, Zhiyong Lin, Miofei Han, et al. The state of the art in kidney and kidney tumor segmentation in contrast-enhanced ct imaging: Results of the kits19 challenge. *Medical image analysis*, 67:101821, 2021.
- [40] Nicholas Heller, Fabian Isensee, Dasha Trofimova, Resha Tejpal, Zhongchen Zhao, Huai Chen, Lisheng Wang, Alex Golts, Daniel Khatun, Daniel Shats, et al. The kits21 challenge: Automatic segmentation of kidneys, renal tumors, and renal cysts in corticomedullary-phase ct. *arXiv preprint arXiv:2307.01984*, 2023.
- [41] Patrick Bilic, Patrick Christ, Hongwei Bran Li, Eugene Vorontsov, Avi Ben-Cohen, Georgios Kaissis, Adi Szeskin, Colin Jacobs, Gabriel Efrain Humpire Mamani, Gabriel Chartrand, et al. The liver tumor segmentation benchmark (lits). *Medical Image Analysis*, 84:102680, 2023.
- [42] Bethany A Phillips-Smith, Jazmin Jatana, Emma Carter, Sathyanarayana Machani, Dean J Wickel, and Dean Wickel. May-thurner syndrome: An interesting presentation of recurrent, unprovoked deep vein thrombosis. *Cureus*, 15(8), 2023.
- [43] Neil Moudgill, Eric Hager, Carin Gonsalves, Robert Larson, Joseph Lombardi, and Paul DiMuzio. May-thurner syndrome: case report and review of the literature involving modern endovascular therapy. *Vascular*, 17(6):330–335, 2009.