

Fractional Laplacian in V-shaped waveguide

Fedor Bakharev* and Sergey Matveenko†

May 28, 2024

Abstract. The spectral properties of the restricted fractional Dirichlet Laplacian in V-shaped waveguides are studied. The continuous spectrum for such domains with cylindrical outlets is known to occupy the ray $[\Lambda_{\dagger}, +\infty)$ with the threshold corresponding to the smallest eigenvalue of the cross-sectional problems. In this work the presence of a discrete spectrum at any junction angle is established along with the monotonic dependence of the discrete spectrum on the angle.

Keywords: restricted fractional Laplacian, waveguide, Dirichlet spectrum

AMS classification codes: Primary: 35R11, Secondary: 81Q10.

1 Introduction

The goal of this work is to study the spectral properties of the restricted fractional Dirichlet Laplacian in specific types of junctions of cylindrical domains — V-shaped waveguides.

The spectrum of the Dirichlet problem for the conventional Laplace operator in such domains is well-studied. The continuous spectrum in domains with cylindrical outlets to infinity always occupies the ray $[\Lambda_{\dagger}, +\infty)$ with the threshold coinciding with the smallest eigenvalue of the problems on the orthogonal cross-sections of the outlets (see, for instance, [1]). In particular, in case of V-shaped waveguide this threshold does not depend on the angle of the waveguide's opening. The research of the discrete spectrum started with the work [2] where the planar case of the right-angled waveguide was considered. Later in [3] it was proven that for small angles arbitrarily many eigenvalues could be obtained below Λ_{\dagger} . In [1] the monotonic dependence of the eigenvalues and their number on the opening size of the waveguide was established. Another approach was performed in works [4]–[6] where the asymptotics of the spectrum with angle close to straight angle was studied. The multidimensional case does not differ much from the two-dimensional one. The only difference is in the

*St.Petersburg State University, Universitetskaya emb. 7-9, St.Petersburg, 199034, Russia, e-mail: f.bakharev@spbu.ru

†Chebyshev Laboratory, St. Petersburg State University, 14th Line V.O., 29, Saint Petersburg 199178 Russia, e-mail: matveis239@gmail.com

variety of the possible cross-sections and the way of forming junctions. In some special cases it is possible to establish the uniqueness of the eigenvalue below the threshold in \mathbb{R}^3 (see e.g. [7]), however, some cross-sections could provide multiple eigenvalues even in case of right angle of the opening [8] (the X-shaped waveguides were studied, but for the V-shaped waveguides similar result is true).

For the restricted fractional Dirichlet Laplacian, the structure of the continuous spectrum is known to be the same (see work [9]). In current work, we obtain results analogous to those described above: we establish the presence of a discrete spectrum at any angle of the junction, as well as the monotonic dependence of the discrete spectrum on the angle. However, up to now authors do not know how to prove the uniqueness of the eigenvalue below the threshold even for sufficiently large angles.

The main difficulty of the problem from our point of view is the absence of the Dirichlet-Neumann bracketing technique which of a great use for the Laplace operator in works mentioned above. The main reason is the non-local nature of the operator which allows outlets somehow interact with each other. A crucial strategy is to transform the non-local operator to the local one involving the so-called Caffarelli-Silvestre extension (see original paper [10], earlier related work [11], and description below). However, the cross-sections of the valuable domain in this case become unbounded and intersect with each other, so the methods used in aforementioned works are still out of use. Inspired by work [3] we propose a transformation of the V-shaped waveguide into a cylinder which successfully takes into account the unboundedness of cross-sections and allows to prove the existence of the discrete spectrum as well as the monotonic dependence on the opening angle.

The structure of the article is the following. In the Sec. 2 we introduce the notation, describe the geometry of the domain, provide necessary definitions and properties of the restricted fractional Dirichlet Laplacian, and give the necessary information on the Caffarelli-Silvestre extension. In the Sec. 3 we prove the existence of the discrete spectrum for any angle. In the Sec. 4 we prove that the discrete spectrum monotonically depends on the angle of the V-shaped waveguide.

2 Notation and statement of the problem

Let $\{e_1, e_2, \dots, e_n\}$ represent an orthonormal basis in the Euclidean space \mathbb{R}^n , $n \geq 2$. We specify the first and last directions and denote by $\mathbf{x} = (x, y, z)$ the coordinates of the vector $xe_1 + \sum_{j=2}^{n-1} y_j e_j + ze_n$, where $y = (y_2, y_3, \dots, y_{n-1})$. In case $n = 2$ we assume that the term y is omitted.

Let ω be a connected domain with Lipschitz boundary in \mathbb{R}^{n-1} . The V-shaped waveguide Ω_β we define by the formula

$$\Omega_\beta = \{(x, y, z) \in \mathbb{R}^n : (x \sin \beta - |z| \cos \beta, y) \in \omega\}.$$

When $n = 2$, if ω represents a unit segment, the waveguide Ω_β is a unit strip broken at an angle β . If $n > 2$, the waveguide Ω_β consists of a junction of two

semi-infinite cylinders with cross-section ω , which meet at an angle β .

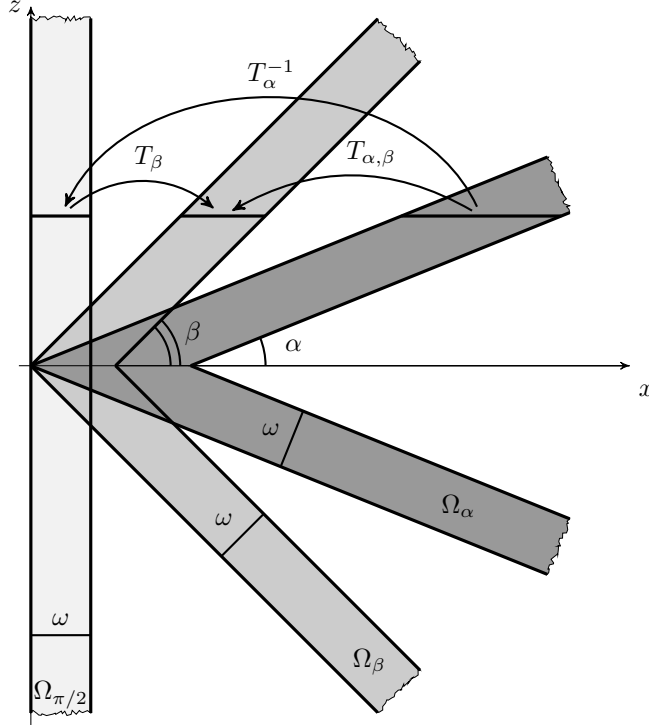


Figure 1: The V-shaped waveguide Ω_α (dark gray) overlaps the V-shaped waveguide Ω_β (light gray) and the straight tube $\Omega_{\pi/2}$.

For $s \in (0, 1)$ we define the restricted Dirichlet fraction Laplacian \mathcal{A}_s^Ω by the quadratic form

$$a_s^\Omega[u] = \int_{\mathbb{R}^n} |\boldsymbol{\xi}|^{2s} |\mathcal{F}_n u(\boldsymbol{\xi})|^2 d\boldsymbol{\xi}, \quad \forall u \in \tilde{H}^s(\Omega)$$

where \mathcal{F}_n stands for the n -dimensional Fourier transform

$$\mathcal{F}_n u(\boldsymbol{\xi}) = \frac{1}{(2\pi)^{\frac{n}{2}}} \int_{\mathbb{R}^n} e^{-i\boldsymbol{\xi} \cdot \mathbf{x}} u(\mathbf{x}) d\mathbf{x},$$

where $\boldsymbol{\xi} = (\xi, \eta, \zeta)$ is a corresponding frequency variable. The domain of the quadratic form a_s^Ω is defined as follows:

$$\text{Dom}(a_s^\Omega) = \tilde{H}^s(\Omega) := \{u \in H^s(\mathbb{R}^n) : \text{supp } u \subset \overline{\Omega}\},$$

where $H^s(\mathbb{R}^n)$ is the classical Sobolev–Slobodetskii space (see, e.g., [12, Subsection 2.3.3])

$$H^s(\mathbb{R}^n) = \{u \in L_2(\mathbb{R}^n) : |\boldsymbol{\xi}|^s \mathcal{F}_n u(\boldsymbol{\xi}) \in L_2(\mathbb{R}^n)\}.$$

The connection between fractional differential operators and generalized harmonic extensions was established over fifty years ago [11] and gained popularity due to the influential work [10]. Specifically, for a function u belonging to $\tilde{H}^s(\Omega)$, the function

$$U(\mathbf{x}, t) = \int_{\mathbb{R}^n} \mathcal{P}_s(\mathbf{x} - \tilde{\mathbf{x}}, t) u(\tilde{\mathbf{x}}) d\tilde{\mathbf{x}} \quad (1)$$

with the generalized Poisson kernel

$$\mathcal{P}_s(\mathbf{x}, t) = \frac{\Gamma\left(\frac{n+2s}{2}\right)}{\pi^{\frac{n}{2}} \Gamma(s)} \frac{t^{2s}}{(|\mathbf{x}|^2 + t^2)^{\frac{n}{2}+s}} \quad (2)$$

is called the Caffarelli – Silvestre extension of u . The function U is a minimizer of the weighted Dirichlet integral

$$\mathcal{E}_s^\Omega(W) = \int_0^\infty \int_{\mathbb{R}^n} t^{1-2s} |\nabla W(\mathbf{x}, t)|^2 d\mathbf{x} dt \quad (3)$$

over the set

$$\mathcal{W}_s^\Omega(u) = \{W = W(\mathbf{x}, t) : \mathcal{E}_s^\Omega(W) < \infty, W|_{t=0} = u\}.$$

Moreover, the Caffarelli – Silvestre extension is a solution of the boundary problem

$$-\operatorname{div} t^{1-2s} \nabla U = 0, \quad U(\mathbf{x}, 0) = u(\mathbf{x}). \quad (4)$$

The following identity provide the Dirichlet fractional Laplacian of u via its Caffarelli – Silvestre extension

$$\mathcal{A}_s^\Omega u = -C_s \lim_{t \rightarrow 0^+} t^{1-2s} \partial_t U(\cdot, t), \quad \text{where } C_s = \frac{4^s \Gamma(s+1)}{2s \Gamma(1-s)}.$$

At the same time the weighted Dirichlet integral is proportional to the quadratic form

$$a_s^\Omega[u] = C_s \mathcal{E}_s^\Omega(U). \quad (5)$$

In the degenerate case when $\beta = \pi/2$ it is proved in [9] that the spectrum of $\mathcal{A}_s^{\Omega_{\pi/2}}$ is essential. Namely,

Theorem 1. *The spectrum of $\mathcal{A}_s^{\Omega_{\pi/2}}$ coincides with the ray*

$$\sigma(\mathcal{A}_s^{\Omega_{\pi/2}}) = \sigma_{ess}(\mathcal{A}_s^{\Omega_{\pi/2}}) = [\Lambda_\dagger, +\infty),$$

where $\Lambda_\dagger = \lambda_1(\mathcal{A}_s^\omega)$ is the first eigenvalue of the restricted Dirichlet fractional Laplacian on ω .

Note that since the space $\tilde{H}^s(\omega)$ is compactly embedded into $L_2(\omega)$, the spectrum of \mathcal{A}_s^ω is purely discrete (see, e.g. [13, Theorem 7.1] and [14, Theorem 4.10.1]) and forms the unbound monotonically increased sequence. We denote by φ the eigenfunction corresponding to the first eigenvalue $\Lambda_\dagger = \lambda_1(\mathcal{A}_s^\omega)$.

We define isomorphism between the straight tube $\Omega_{\pi/2}$ and the broken waveguide Ω_β (see fig. 1)

$$T_\beta: \Omega_{\pi/2} \rightarrow \Omega_\beta, \quad T_\beta(\mathbf{x}) = (x \csc \beta + |z| \cot \beta, y, z),$$

and its inverse

$$T_\beta^{-1}: \Omega_\beta \rightarrow \Omega_{\pi/2}, \quad T_\beta^{-1}(\mathbf{x}) = (x \sin \beta - |z| \cos \beta, y, z).$$

Note that being Lipschitz these isomorphism preserve the Sobolev–Slobodetskii spaces thus the following lemma is true.

Lemma 1. *Given $s \in (0, 1)$ and $\beta \in (0, \pi/2)$, the coordinate transform T_β provides an isomorphism between $\tilde{H}^s(\Omega_\beta)$ and $\tilde{H}^s(\Omega_{\pi/2})$, i.e. $u \in \tilde{H}^s(\Omega_\beta)$ implies that $u \circ T_\beta \in \tilde{H}^s(\Omega_{\pi/2})$ and $u \in \tilde{H}^s(\Omega_{\pi/2})$ implies that $u \circ T_\beta^{-1} \in \tilde{H}^s(\Omega_\beta)$.*

For our purpose we need the following embedding statement for the Caffarelli – Silvestre extension (see e.g. [9]).

Lemma 2. *Let $n > 2 - 2s$. Suppose that Ω is a bounded domain in \mathbb{R}^n ; then the Caffarelli – Silvestre extension of any function $u \in H^s(\Omega)$ belongs to $L_2(\mathbb{R}^n \times \mathbb{R}_+)$ with weight t^{1-2s} .*

Hereinafter, we denote by C various positive constants.

3 Existence of the discrete spectrum

Theorem 2. *Given $s \in (0, 1)$ and $\beta \in (0, \pi/2)$, the discrete spectrum of $\mathcal{A}_s^{\Omega_\beta}$ is not empty.*

Proof. Using the max-min principle, we require a function $u \in \tilde{H}^s(\Omega_\beta)$ such that the following inequality holds:

$$a_s^{\Omega_\beta}[u] - \Lambda_\dagger \|u; L_2(\mathbb{R}^n)\|^2 < 0.$$

Given that the Caffarelli-Silvestre extension is the minimizer of the weighted Dirichlet integral (3), and based on (5), our goal is to identify a function $\Psi \in \mathcal{W}_s^{\Omega_\beta}(u)$ for some $u \in \tilde{H}^s(\Omega_\beta)$ such that

$$C_s \mathcal{E}_s^{\Omega_\beta}(\Psi) - \Lambda_\dagger \|\Psi(\cdot, 0); L_2(\mathbb{R}^n)\|^2 < 0. \quad (6)$$

To construct the desired function we spread the first eigenfunction φ of \mathcal{A}_s^ω along the V-shaped waveguide as detailed below. The Caffarelli-Silvestre extension of φ is denoted by $\Phi = \Phi(x, y, t)$. Here and below we denote by \tilde{T}_β and \tilde{T}_β^{-1} the mappings of $\mathbb{R}^n \times \mathbb{R}_+$, given by $\tilde{T}_\beta(\mathbf{x}, t) = (T_\beta(\mathbf{x}), t)$ and $\tilde{T}_\beta^{-1}(\mathbf{x}, t) = (T_\beta^{-1}(\mathbf{x}), t)$. Straightforward computation reveals that when $z \neq 0$ the function $\tilde{\Phi}(x, y, z, t) = \Phi(T_\beta^{-1}(\mathbf{x}), t)$ satisfies the equation

$$-\operatorname{div} \left(t^{1-2s} \nabla \tilde{\Phi}(\mathbf{x}, t) \right) = -\operatorname{div} \left(t^{1-2s} \nabla \Phi(x, y, t) \right) = 0. \quad (7)$$

We now introduce a family of test functions

$$\Psi(\mathbf{x}, t) = \chi_R(z, t)\tilde{\Phi}(\mathbf{x}, t) + \varepsilon V(\mathbf{x}, t).$$

Here, $V \in C_0^\infty(\mathbb{R}^n \times \mathbb{R}_+)$ is a smooth perturbation that is even with respect to z and has compact support. The cut-off multiplier χ_R is defined by the following formula

$$\chi_R(z, t) = \begin{cases} \chi(R^{-1}\sqrt{z^2 + t^2}), & n-1 \leq 2-2s; \\ \chi(R^{-1}|z|), & n-1 > 2-2s, \end{cases}$$

with $\chi = \chi(z)$ being a monotone smooth cut-off function: it is equal to one for $z < 1$, equal to zero for $z > 2$. It is worth noting that Ψ is not square summable without the multiplier χ_R . We assume that R is large enough and $\text{supp } V \subset \{\chi_R = 1\}$.

The values for the large constant R and the small parameter ε will be specified later.

We substitute these test functions into the weighted energy integral (3) and get

$$\mathcal{E}_s^{\Omega_\beta}(\Psi) = \int_0^\infty \int_{\mathbb{R}^n} t^{1-2s} \left(|\nabla(\chi_R \tilde{\Phi})|^2 + 2\varepsilon \nabla(\chi_R \tilde{\Phi}) \cdot \nabla V + \varepsilon^2 |\nabla V|^2 \right) d\mathbf{x} dt.$$

Simple calculations show that

$$\begin{aligned} |\nabla(\chi_R \tilde{\Phi})|^2 &= \chi_R^2 |\nabla \Phi \circ \tilde{T}_\beta^{-1}|^2 + 2\chi_R \partial_t \chi_R (\Phi \circ \tilde{T}_\beta^{-1}) (\partial_t \Phi \circ \tilde{T}_\beta^{-1}) \\ &\quad + |\nabla \chi_R|^2 \Phi^2 \circ \tilde{T}_\beta^{-1} - 2 \cos \beta \chi_R \partial_z \chi_R (\Phi \circ \tilde{T}_\beta^{-1}) (\partial_x \Phi \circ \tilde{T}_\beta^{-1}). \end{aligned}$$

and thus after changing the variable $\mathbf{x} \rightarrow T_\beta(\mathbf{x})$ the expression on the left-hand side of (6) splits into the sum

$$C_s \mathcal{E}_s^{\Omega_\beta}(\Psi) - \Lambda_\dagger \|\Psi(\cdot, 0); L_2(\mathbb{R}^n)\|^2 = 2(I_1 + I_{21} + I_{22} + I_{23} + \varepsilon I_3 + \varepsilon^2 I_4), \quad (8)$$

where

$$\begin{aligned} I_1 &= \frac{C_s}{\sin \beta} \int_0^\infty t^{1-2s} \int_{\mathbb{R}^{n-1} \times \mathbb{R}_+} \chi_R^2(z, t) |\nabla \Phi(x, y, t)|^2 d\mathbf{x} dt \\ &\quad - \frac{\Lambda_\dagger}{\sin \beta} \int_{\mathbb{R}^{n-1} \times \mathbb{R}_+} \chi_R^2(z, 0) |\Phi(x, y, 0)|^2 d\mathbf{x}, \\ I_{21} &= \frac{C_s}{2 \sin \beta} \int_0^\infty \int_0^\infty t^{1-2s} \partial_t \chi_R^2(z, t) \int_{\mathbb{R}^{n-1}} \partial_t \Phi^2(x, y, t) dx dy dt dz, \\ I_{22} &= \frac{C_s}{\sin \beta} \int_0^\infty \int_0^\infty t^{1-2s} |\nabla \chi_R(z, t)|^2 \int_{\mathbb{R}^{n-1}} \Phi^2(x, y, t) dx dy dt dz, \\ I_{23} &= -\frac{C_s \cot \beta}{2 \sin \beta} \int_0^\infty \int_0^\infty t^{1-2s} \partial_z \chi_R^2(z, t) \int_{\mathbb{R}^{n-1}} \partial_x \Phi^2(x, y, t) dx dy dt dz, \\ I_3 &= C_s \int_0^\infty t^{1-2s} \int_{\mathbb{R}^{n-1} \times \mathbb{R}_+} \nabla \tilde{\Phi}(\mathbf{x}, t) \cdot \nabla V(\mathbf{x}, t) d\mathbf{x} dt, \\ I_4 &= \int_0^\infty \int_{\mathbb{R}^{n-1} \times \mathbb{R}_+} V^2(\mathbf{x}, t) d\mathbf{x} dt. \end{aligned}$$

Multiplier 2 stands on the right-hand side of (8) because Ψ is an even function with respect to z , and the waveguide Ω_β is symmetric with respect to the plane $\{z = 0\}$, so doubled integration in half-space gives the same result. Let us treat the terms separately.

Estimate of I_1 . Since

$$\chi_R(z, t) \leq \chi_R(z, 0), \quad (9)$$

applying the Fubini theorem to the integrals in I_1 , we have the estimate

$$I_1 \leq \frac{1}{\sin \beta} \int_{\mathbb{R}_+} \chi_R^2(z, 0) (C_s \mathcal{E}_s^\omega(\Phi) - \Lambda_\dagger \|\Phi(\cdot, 0); L_2(\mathbb{R}^{n-1})\|^2) dz = 0.$$

Due to (5), and since φ is an eigenfunction of \mathcal{A}_s^ω , the expression in the brackets is equal to zero. It should be mentioned that the inequality (9) becomes an equality for $n > 2$.

Estimate of $I_{21} + I_{22}$ in case $n - 1 > 2 - 2s$. In this case the term $I_{21} = 0$ because χ_R does not depend on t . Due to the Lemma 2, the remaining term allows the estimate

$$I_{22} \leq C \int_0^\infty |\partial_z \chi_R(z)|^2 dz \leq CR^{-2}.$$

Estimate of $I_{21} + I_{22}$ in case $n - 1 < 2 - 2s$. This case is possible only if $n = 2$ and $s \in (0, 1/2)$ and it is much more tricky. According to (1) we obtain $\Phi(\cdot, t) = \mathcal{P}_s(\cdot, t) * \varphi$. The Young convolution inequality provides the estimate

$$\|\Phi(\cdot, t); L_2(\mathbb{R})\|^2 = \|\mathcal{P}_s(\cdot, t) * \varphi; L_2(\mathbb{R})\|^2 \leq \|\mathcal{P}_s(\cdot, t); L_2(\mathbb{R})\|^2 \|\varphi; L_1(\mathbb{R})\|^2,$$

and note that φ is summable because it is square summable and has a compact support. Introducing a new variable $\tilde{x} = x/t$ we write

$$\|\mathcal{P}_s(\cdot, t); L_2(\mathbb{R})\|^2 = \int_{\mathbb{R}} \frac{t^{4s} dx}{(x^2 + t^2)^{1+2s}} = \frac{1}{t} \int_{\mathbb{R}} \frac{d\tilde{x}}{(1 + \tilde{x}^2)^{1+2s}},$$

and thus

$$\|\Phi(\cdot, t); L_2(\mathbb{R})\|^2 \leq Ct^{-1}. \quad (10)$$

Integrating by parts in the term I_{21} , we come to the formula

$$I_{21} = -\frac{C_s}{2 \sin \beta} \int_0^\infty \int_0^\infty \partial_t (t^{1-2s} \partial_t \chi_R^2(z, t)) \int_{\mathbb{R}} \Phi^2(x, t) dx dt dz.$$

taking into account (10), we obtain an estimate

$$I_{21} + I_{22} \leq C \int_0^\infty \int_0^\infty |t^{-1} \partial_t (t^{1-2s} \partial_t \chi_R^2(z, t))| + t^{-2s} |\nabla \chi_R(z, t)|^2 dt dz.$$

After passing to the polar coordinates $t = r \sin \alpha$, $z = r \cos \alpha$, we get

$$I_{21} + I_{22} \leq C \int_R^{2R} R^{-1} r^{-2s} + R^{-2} r^{1-2s} dr \int_0^{\pi/2} (\sin \alpha)^{-2s} + (\sin \alpha)^{2-2s} d\alpha,$$

and since $s < 1/2$ the last integral converges. Hence,

$$I_{21} + I_{22} \leq CR^{-2s}.$$

Estimate of $I_{21} + I_{22}$ in case $n - 1 = 2 - 2s$. In this case we have $n = 2$ and $s = 1/2$. Integrating by parts in the term I_{21} , we get

$$I_{21} = -\frac{C_s}{2 \sin \beta} \int_0^\infty \int_0^\infty \partial_t^2 \chi_R^2(z, t) \int_{\mathbb{R}} \Phi^2(x, t) dx dt dz \\ - \frac{C_s}{2 \sin \beta} \int_0^\infty \partial_t \chi_R^2(z, 0) \int_{\mathbb{R}^{n-1}} \Phi^2(x, 0) dx dz.$$

Using (4), we rearrange the last term, and thus,

$$I_{21} + I_{22} = \frac{C_s}{\sin \beta} \int_0^\infty \int_0^\infty |\partial_z \chi_R(z, t)|^2 - \chi_R(z, t) \partial_t^2 \chi_R(z, t) \int_{\mathbb{R}} \Phi^2(x, t) dx dt dz \\ - \frac{C_s}{2 \sin \beta} \int_0^\infty \partial_t \chi_R^2(z, 0) dz. \quad (11)$$

Since $\Phi(x, t) = \mathcal{P}(\cdot, t) * \varphi(x)$ and the Fourier transform preserves L_2 -norm, the following identity is fulfilled

$$\|\Phi; L_2(\mathbb{R} \times (0, 2R))\|^2 = \int_0^{2R} \int_{-\infty}^\infty |\mathcal{F}_1 \mathcal{P}_{1/2}(\cdot, t)(\xi)|^2 |\mathcal{F}_1 \varphi(\xi)|^2 d\xi dt.$$

Direct computations show that

$$\mathcal{F}_1 \mathcal{P}_{1/2}(\cdot, t)(\xi) = \sqrt{\frac{\pi}{2}} e^{-t|\xi|},$$

thus, we have

$$\|\Phi; L_2(\mathbb{R} \times (0, 2R))\|^2 = \sqrt{\frac{\pi}{2}} \int_0^{2R} \int_{-\infty}^\infty e^{-2t|\xi|} |\mathcal{F}_1 \varphi(\xi)|^2 d\xi dt.$$

Applying the Fubini theorem, we get

$$\|\Phi; L_2(\mathbb{R} \times (0, 2R))\|^2 = \sqrt{\frac{\pi}{2}} \int_{-\infty}^\infty \frac{1 - e^{-4R|\xi|}}{2|\xi|} |\mathcal{F}_1 \varphi(\xi)|^2 d\xi dt.$$

We decompose the last integral into a sum

$$J_1 + J_2 + J_3 := \left(\int_{|\xi| \leq R^{-1}} + \int_{R^{-1} \leq |\xi| \leq 1} + \int_{|\xi| \geq 1} \right) \frac{1 - e^{-4R|\xi|}}{2|\xi|} |\mathcal{F}_1 \varphi(\xi)|^2 d\xi dt.$$

The function φ has a compact support, so its Fourier transform is a smooth function. Introducing a new variable $\tilde{\xi} = R\xi$, we produce an estimate for J_1

$$J_1 \leq C \int_0^1 \frac{1 - e^{-4\tilde{\xi}}}{\tilde{\xi}} d\tilde{\xi},$$

with a convergent integral on the right-hand side. The other summands fulfilled the inequalities

$$J_2 \leq C \int_{R^{-1}}^1 \frac{d\xi}{\xi} \leq C \log(R),$$

$$J_3 \leq C \int_1^\infty |\mathcal{F}_1 \varphi(\xi)|^2 d\xi \leq C.$$

Adding up the estimates for J_1 , J_2 , and J_3 , we obtain

$$\|\Phi; L_2(\mathbb{R} \times (0, 2R))\|^2 \leq C \log(R).$$

Noticing that the area $\{(z, t) : |z| < 2R, |t| < 2R\}$ contains the support of $|\partial_z \chi_R|^2 - \chi_R \partial_t^2 \chi_R$, we apply the last estimate to (11) and get

$$I_{21} + I_{22} \leq CR^{-1} \log(R).$$

Estimate of I_{23} . The Cauchy – Schwartz inequality guaranties that I_{23} is finite since

$$\begin{aligned} \frac{C_s^2}{\sin^2 \beta} \left(\int_0^\infty \int_0^\infty t^{1-2s} |\partial_z \chi_R^2(z, t)| \int_{\mathbb{R}^{n-1}} |\partial_x \Phi^2(x, y, t)| dx dy dt dz \right)^2 \\ \leq I_{22} \frac{C_s}{\sin \beta} \int_{\mathbb{R}_+} \chi_R^2(z, t) \mathcal{E}_s^\omega(\Phi) dz. \end{aligned}$$

Hence, due to the Fubini theorem the integrand in I_{23} is finite for almost all $z, t \in \mathbb{R}_+$, $y \in \mathbb{R}^{n-2}$ and we have $I_{23} = 0$, since Φ is continuous when $t > 0$ and the fundamental theorem of calculus results in

$$\int_{-\infty}^\infty \partial_x \Phi^2(x, y, t) dx = 0.$$

Estimate of I_3 . Using (7), we integrate by parts the term I_3 and get

$$I_3 = -C_s \int_0^\infty \int_{\mathbb{R}^{n-1}} t^{1-2s} \partial_z \tilde{\Phi}(x, y, 0, t) V(x, y, 0, t) dx dy dt.$$

We point out that $\partial_z \tilde{\Phi}(x, y, 0, t) \neq 0$. Assuming the converse, we have

$$\partial_z \tilde{\Phi}(x, y, 0, t) = -\cos \beta \partial_x \Phi(x \sin \beta, y, t) \equiv 0,$$

and therefore $\Phi(x, y, t)$ does not depend on x . But it leads to a contradiction because due to (1) and (2) we have $\Phi(x, y, t) \rightarrow 0$ as $|x| \rightarrow \infty$. Thus, there exists a function V such that $I_3 < 0$.

Estimate of I_4 . The last term I_4 in (8) is bounded.

Finally, we combine all the estimates and obtain that

$$C_s \mathcal{E}_s^{\Omega_\beta}(\Psi) - \Lambda_\dagger \|\Psi(\cdot, 0); L_2(\mathbb{R}^n)\|^2 \leq 2\varepsilon I_3 + C(R^{-2\gamma} \log(R) + \varepsilon^2),$$

where $\gamma = 1$ for $n - 1 \leq 2 - s$ and $\gamma = s$ otherwise. To end the proof, it remains to choose ε to be equal $R^{-\gamma}$, then the required inequality (6) is satisfied for sufficiently large R . \square

4 Monotonicity of the discrete spectrum

Let $0 < \alpha < \beta < \pi/2$. We define a continuous piecewise-linear bijective map $T_{\alpha,\beta} = T_\beta \circ T_\alpha^{-1} : \Omega_\alpha \rightarrow \Omega_\beta$ (see fig. 1). As above we define its extension $\tilde{T}_{\alpha,\beta} : \Omega_\alpha \times \mathbb{R}_+ \rightarrow \Omega_\beta \times \mathbb{R}_+$ by the formula $\tilde{T}_{\alpha,\beta}(\mathbf{x}, t) = (T_{\alpha,\beta}(\mathbf{x}), t)$.

Lemma 3. *Suppose there exist $\beta \in (0, \pi/2)$ and $u \in \tilde{H}^s(\Omega_\beta)$ normalized in $L_2(\Omega_\beta)$ such that $a_s^{\Omega_\beta}[u] < \Lambda_\dagger$; then for all $\alpha \in (0, \beta)$ functions $v_\alpha \in \tilde{H}^s(\Omega_\alpha)$ defined as*

$$v_\alpha = \left(\frac{\sin \alpha}{\sin \beta} \right)^{1/2} u \circ T_{\alpha,\beta}$$

are also normalized in $L_2(\Omega_\alpha)$ and the map $\alpha \mapsto a_s^{\Omega_\alpha}[v_\alpha]$ increases monotonically, implying that $a_s^{\Omega_\alpha}[v_\alpha] < \Lambda_\dagger$ for all $\alpha \in (0, \beta)$.

Proof. The equality $\|v_\alpha, L_2(\Omega_\alpha)\| = 1$ follows immediately from the fact that the Jacobian of $T_{\alpha,\beta}$ is constant and equals to $\frac{\sin \alpha}{\sin \beta}$. Due to Lemma 1, the functions v_α belong to the space $\tilde{H}^s(\Omega_\alpha)$.

Now, let us denote by U the Caffarelli – Silvestre extension of u . Moreover, we define the family of functions

$$V_\alpha = \left(\frac{\sin \alpha}{\sin \beta} \right)^{1/2} U \circ \tilde{T}_{\alpha,\beta}$$

with traces $V_\alpha(\cdot, 0) = v_\alpha$.

Due to (5)

$$a_s^{\Omega_\beta}[u] = C_s \mathcal{E}_s^{\Omega_\beta}(U).$$

Using the change of variables $\mathbf{x} \rightarrow T_\beta(\mathbf{x})$ we get

$$a_s^{\Omega_\beta}[u] = C_s \mathcal{E}_s^{\Omega_{\pi/2}}(V_{\pi/2}) + \cos \beta \cdot \mathfrak{r}(V_{\pi/2})$$

where

$$\mathfrak{r}(V) = -2C_s \int_0^\infty \int_{\mathbb{R}^n} t^{1-2s} \operatorname{sgn}(z) \partial_x V(\mathbf{x}, t) \partial_z V(\mathbf{x}, t) d\mathbf{x} dt.$$

According to Theorem 1, the max-min principle implies that $C_s \mathcal{E}_s^{\Omega_{\pi/2}}(V_{\pi/2}) \geq \Lambda_\dagger$. Therefore, in case $a_s^{\Omega_\beta}[u] < \Lambda_\dagger$ it turns out that the term $\mathfrak{r}(V_{\pi/2})$ must be negative. Hence, the following inequality holds true

$$a_s^{\Omega_\beta}[u] > C_s \mathcal{E}_s^{\Omega_{\pi/2}}(V_{\pi/2}) + \cos \alpha \cdot \mathfrak{r}(V_{\pi/2}).$$

for all $\alpha \in (0, \beta)$. Changing the variables $\mathbf{x} \rightarrow T_\alpha^{-1}(\mathbf{x})$ in the right hand side we rearrange the inequality to get

$$a_s^{\Omega_\beta}[u] > C_s \mathcal{E}_s^{\Omega_\alpha}(V_\alpha).$$

Note that, the function $V_\alpha(\cdot, 0)$ coincides with v_α and hence belong to the space $\mathcal{W}_s^{\Omega_\alpha}(v_\alpha)$. After obtaining the infimum of the right hand side of the last inequality over the set $\mathcal{W}_s^{\Omega_\alpha}(v_\alpha)$, due to (5) we have $a_s^{\Omega_\beta}[u] > a_s^{\Omega_\alpha}[v_\alpha]$ which ends the proof. \square

Theorem 3. *Given $s \in (0, 1)$, if $\mathcal{A}_s^{\Omega_\beta}$ has k eigenvalues below the threshold for some $\beta \in (0, \pi/2)$, then the operator $\mathcal{A}_s^{\Omega_\alpha}$ has at least k eigenvalues below the threshold for all $\alpha \in (0, \beta)$. Moreover, the j -th eigenvalue $\lambda_j(\mathcal{A}_s^{\Omega_\alpha})$ is a monotonically increasing function with respect to α for all $1 \leq j \leq k$.*

Proof. Let us assume that the functions u_1, u_2, \dots, u_k form an orthonormal set in the space $L_2(\Omega_\beta)$, and these functions are the eigenfunctions of $\mathcal{A}_s^{\Omega_\beta}$ corresponding to the eigenvalues $\lambda_1(\mathcal{A}_s^{\Omega_\beta}), \lambda_2(\mathcal{A}_s^{\Omega_\beta}), \dots, \lambda_k(\mathcal{A}_s^{\Omega_\beta})$. Due to Lemma 3, the functions $v_{j,\alpha} = \left(\frac{\sin \alpha}{\sin \beta}\right)^{1/2} u_j \circ T_{\alpha,\beta}$, $1 \leq j \leq k$, belong to the space $\tilde{H}^s(\Omega_\alpha)$, maintain their orthonormality in $L_2(\Omega_\alpha)$, and the following inequality is fulfilled

$$a_s^{\Omega_\alpha}[v_{j,\alpha}] < a_s^{\Omega_\beta}[u_j]. \quad (12)$$

Now, the existence of k eigenvalues below the threshold and their monotonicity follows from [14, Theorem 10.2.3]. Here we present a more straightforward way to derive this properties. We assign the orthonormal set of functions $E_j = \{v_{1,\alpha}, v_{2,\alpha}, \dots, v_{j,\alpha}\}$ in $L_2(\mathbb{R}^n)$ to each j not greater than k . The $L_2(\mathbb{R}^n)$ -norm of any convex combination of functions from E_j is equal to one. Since the quadratic form a_s is convex, the inequality (12) guaranties that the Rayleigh ratio of any function from the convex hull of E_j is smaller than $\lambda_j(\mathcal{A}_s^{\Omega_\beta})$. Hence, any subspace in $L_2(\mathbb{R}^n)$ with codimension $j-1$ has a nontrivial intersection with the convex hull of E_j . Due to the max-min principle it follows that $\lambda_j(\mathcal{A}_s^{\Omega_\alpha}) < \lambda_j(\mathcal{A}_s^{\Omega_\beta})$. \square

Remark 1. *The first eigenvalue $\lambda_1(\mathcal{A}_s^{\Omega_\alpha})$ tends to Λ_\dagger as $\alpha \rightarrow \pi/2$.*

Proof. Let u be an eigenfunction normalized in $L_2(\Omega_\alpha)$ corresponding to $\lambda_1(\mathcal{A}_s^{\Omega_\alpha})$. Using the notation provided in the proof of Lemma 3 we can write

$$a_s^{\Omega_\alpha}[u] = C_s \mathcal{E}_s^{\Omega_{\pi/2}}(V_{\pi/2}) + \cos \alpha \cdot \mathfrak{r}(V_{\pi/2}).$$

Applying the following arithmetic–geometric mean inequality

$$2|\partial_x V_{\pi/2}(\mathbf{x}, t) \partial_z V_{\pi/2}(\mathbf{x}, t)| \leq |\nabla V_{\pi/2}(\mathbf{x}, t)|^2,$$

since $\mathfrak{r}(V_{\pi/2}) < 0$ we get an estimate

$$a_s^{\Omega_\alpha}[u] \geq C_s(1 - \cos \alpha) \mathcal{E}_s^{\Omega_{\pi/2}}(V_{\pi/2}).$$

Since $\lambda_1(\mathcal{A}_s^{\Omega_\alpha}) = a_s^{\Omega_\alpha}[u]$, Theorem 1 yields the following chain of inequalities

$$\Lambda_\dagger > \lambda_1(\mathcal{A}_s^{\Omega_\alpha}) \geq C_s(1 - \cos \alpha) \mathcal{E}_s^{\Omega_{\pi/2}}(V_{\pi/2}) \geq (1 - \cos \alpha) \Lambda_\dagger.$$

Since $\cos \alpha \rightarrow 0$ as $\alpha \rightarrow \pi/2$, the squeeze theorem yields the convergence of the first eigenvalue $\lambda_1(\mathcal{A}_s^{\Omega_\alpha})$ to Λ_\dagger . \square

Acknowledgments. The results were obtained under support of the Russian Science Foundation (RSF) grant 19-71-30002.

References

- [1] M. Dauge, Y. Lafranche, and N. Raymond, “Quantum waveguides with corners,” *ESAIM: Proceedings*, vol. 35, pp. 14–45, Mar. 2012. DOI: 10.1051/proc/201235002.
- [2] P. Exner, P. Šeba, and P. Št’oviček, “On existence of a bound state in an L-shaped waveguide,” en, *Czechoslovak Journal of Physics*, vol. 39, no. 11, pp. 1181–1191, Nov. 1989. DOI: 10.1007/BF01605319.
- [3] Y. Avishai, D. Bessis, B. Giraud, and G. Mantica, “Quantum bound states in open geometries,” en, *Physical Review B*, vol. 44, no. 15, p. 8028, 1991.
- [4] S. A. Nazarov, “Trapped modes in a t-shaped waveguide,” *Acoustical Physics*, vol. 56, no. 6, pp. 1004–1015, Nov. 2010. DOI: 10.1134/S1063771010060254.
- [5] S. A. Nazarov, “Asymptotic formula for an eigenvalue of the dirichlet problem in a cranked waveguide,” *Vestnik St. Petersburg University: Mathematics*, vol. 44, no. 3, pp. 190–196, Sep. 2011. DOI: 10.3103/S1063454111030046.
- [6] S. A. Nazarov, “Discrete spectrum of cranked, branching, and periodic waveguides,” *St. Petersburg Mathematical Journal*, vol. 23, no. 2, pp. 351–379, Apr. 1, 2012. DOI: 10.1090/S1061-0022-2012-01200-8.
- [7] F. L. Bakharev, S. G. Matveenko, and S. A. Nazarov, “The discrete spectrum of cross-shaped waveguides,” *St. Petersburg Mathematical Journal*, vol. 28, no. 2, pp. 171–180, Feb. 15, 2017. DOI: 10.1090/spmj/1444.
- [8] F. Bakharev, S. Matveenko, and S. Nazarov, “Examples of plentiful discrete spectra in infinite spatial cruciform quantum waveguides,” *Zeitschrift für Analysis und ihre Anwendungen*, vol. 36, no. 3, pp. 329–341, 2017. DOI: 10.4171/ZAA/1591.
- [9] F. Bakharev and A. Nazarov, “Dirichlet fractional laplacian in multi-tubes,” *Journal of Spectral Theory*, Sep. 13, 2023. DOI: 10.4171/JST/458.
- [10] L. Caffarelli and L. Silvestre, “An extension problem related to the fractional laplacian,” *Communications in Partial Differential Equations*, vol. 32, no. 8, pp. 1245–1260, Aug. 8, 2007. DOI: 10.1080/03605300600987306.
- [11] S. A. Molchanov and E. Ostrovskii, “Symmetric stable processes as traces of degenerate diffusion processes,” en, *Theory of Probability & Its Applications*, vol. 14, no. 1, pp. 128–131, Jan. 1969. DOI: 10.1137/1114012.
- [12] H. Triebel, *Interpolation theory, function spaces, differential operators* (North-Holland mathematical library). Amsterdam ; New York: North-Holland Pub. Co, 1978, 528 pp.
- [13] E. Di Nezza, G. Palatucci, and E. Valdinoci, “Hitchhiker’s guide to the fractional sobolev spaces,” *Bulletin des sciences mathématiques*, vol. 136, no. 5, pp. 521–573, 2012.

- [14] M. S. Birman and M. Z. Solomiak, *Spectral theory of self-adjoint operators in Hilbert space* (Mathematics and its applications (Soviet series)), engrus. Dordrecht ; Boston : Norwell, MA, U.S.A: D. Reidel Pub. Co. ; Sold, distributed in the U.S.A., and Canada by Kluwer Academic Publishers, 1987.