

Toward a density Corrádi–Hajnal theorem for degenerate hypergraphs

Jianfeng Hou^{*1}, Caiyun Hu^{†1}, Heng Li^{‡2}, Xizhi Liu^{§3}, Caihong Yang^{¶1}, and Yixiao Zhang^{||1}

¹Center for Discrete Mathematics, Fuzhou University, Fujian, 350003, China

²School of Mathematics, Shandong University, Shandong, 250100, China

³Mathematics Institute and DIMAP, University of Warwick, Coventry, CV4 7AL, UK

November 28, 2023

Abstract

Given an r -graph F with $r \geq 2$, let $\text{ex}(n, (t+1)F)$ denote the maximum number of edges in an n -vertex r -graph with at most t pairwise vertex-disjoint copies of F . Extending several old results and complementing prior work [31] on nondegenerate hypergraphs, we initiate a systematic study on $\text{ex}(n, (t+1)F)$ for degenerate hypergraphs F .

For a broad class of degenerate hypergraphs F , we present near-optimal upper bounds for $\text{ex}(n, (t+1)F)$ when n is sufficiently large and t lies in intervals $\left[0, \frac{\varepsilon \cdot \text{ex}(n, F)}{n^{r-1}}\right]$, $\left[\frac{\text{ex}(n, F)}{\varepsilon n^{r-1}}, \varepsilon n\right]$, and $\left[(1-\varepsilon)\frac{n}{v(F)}, \frac{n}{v(F)}\right]$, where $\varepsilon > 0$ is a constant depending only on F . Our results reveal very different structures for extremal constructions across the three intervals, and we provide characterizations of extremal constructions within the first interval. Additionally, for graphs, we offer a characterization of extremal constructions within the second interval. Our proof for the first interval also applies to a special class of nondegenerate hypergraphs, including those with undetermined Turán densities, partially improving a result in [31].

Keywords: Turán problems, the Corrádi–Hajnal Theorem, the Kővári–Sós–Turán Theorem, Zarankiewicz problem, F -matching, r -partite r -graphs.

1 Introduction

1.1 Motivation

Fix an integer $r \geq 2$, an r -graph \mathcal{H} is a collection of r -subsets of some finite set V . We identify a hypergraph \mathcal{H} with its edge set and use $V(\mathcal{H})$ to denote its vertex set. The

*Research was supported by National Natural Science Foundation of China (Grant No. 12071077).
Email: jfhou@fzu.edu.cn

†Email: hucaiyun.fzu@gmail.com

‡Email: heng.li@sdu.edu.cn

§Research was supported by ERC Advanced Grant 101020255 and Leverhulme Research Project Grant RPG-2018-424. Email: xizhi.liu.ac@gmail.com

¶Email: chyang.fzu@gmail.com

||Email: fzuzyx@gmail.com

size of $V(\mathcal{H})$ is denoted by $v(\mathcal{H})$. Given a vertex $v \in V(\mathcal{H})$, the **degree** $d_{\mathcal{H}}(v)$ of v in \mathcal{H} is the number of edges in \mathcal{H} containing v . We use $\delta(\mathcal{H})$, $\Delta(\mathcal{H})$, and $d(\mathcal{H})$ to denote the **minimum degree**, the **maximum degree**, and the **average degree** of \mathcal{H} , respectively. We will omit the subscript \mathcal{H} if it is clear from the context.

Given two r -graphs F and \mathcal{H} , the **F -matching number** $\nu(F, \mathcal{H})$ of \mathcal{H} is the maximum of vertex-disjoint copies of F in \mathcal{H} . This extends the definition the matching number $\nu(\mathcal{H})$ of \mathcal{H} as $\nu(\mathcal{H}) = \nu(K_r^r, \mathcal{H})$, where K_ℓ^r denotes the complete r -graph with ℓ vertices. The study of the following problem encompasses several central topics in Extremal Combinatorics. Given an r -graph F and integers $n, t \in \mathbb{N}$:

What constraints on an n -vertex r -graph \mathcal{H} force it to satisfy $\nu(F, \mathcal{H}) \geq t + 1$? (*)

There are several classical result on this topic from the minimum degree perspective. For example, Corrádi and Hajnal [6] proved the following result for K_3 .

Theorem 1.1 (Corrádi–Hajnal [6]). *Suppose that $n, t \in \mathbb{N}$ are integers with $t \leq n/3$. Then every n -vertex graph G with $\delta(G) \geq t + \lfloor \frac{n-t}{2} \rfloor$ contains at least t vertex-disjoint copies of K_3 , i.e.*

$$\delta(G) \geq t + \left\lfloor \frac{n-t}{2} \right\rfloor \quad \Rightarrow \quad \nu(K_3, G) \geq t.$$

Later, Theorem 1.1 was extended to all complete graphs in the classical Hajnal–Szemerédi Theorem [27], which implies that for all integers $n \geq \ell \geq 2$, $t \leq \lfloor n/(\ell+1) \rfloor$, and for every n -vertex graph G ,

$$\delta(G) \geq t + \left\lfloor \frac{\ell-1}{\ell}(n-t) \right\rfloor \quad \Rightarrow \quad \nu(K_{\ell+1}, G) \geq t.$$

There are many further extensions of Theorem 1.1 to general graphs (see e.g. [3, 38]) and hypergraphs (see e.g. [49]). We refer the reader to a survey [41] by Kühn and Osthus for further related results.

Problem (*) becomes much harder when considered from the average degree perspective. For $r = 2$ and $F = K_2$, the celebrated Erdős–Gallai Theorem [10] states that for all integers $n, \ell \in \mathbb{N}$ with $t + 1 \leq n/2$ and for every n -vertex graph G ,

$$|G| > \max \left\{ \binom{2t+1}{2}, \binom{n}{2} - \binom{n-t}{2} \right\} \quad \Rightarrow \quad \nu(G) \geq t + 1.$$

Extending the Erdős–Gallai Theorem to r -graphs for $r \geq 3$ is a major open problem in Extremal Set Theory. Despite substantial effort, the following conjecture of Erdős is still open in general (see e.g. [15, 16, 17, 32] for some recent progress on this topic).

Conjecture 1.2 (Erdős [9]). *Suppose that $n, t, r \in \mathbb{N}$ satisfy $r \geq 3$ and $t + 1 \leq n/r$. Then for every n -vertex r -graph \mathcal{H} ,*

$$|\mathcal{H}| > \max \left\{ \binom{r(t+1)-1}{r}, \binom{n}{r} - \binom{n-t}{r} \right\} \quad \Rightarrow \quad \nu(\mathcal{H}) \geq t + 1.$$

In the special case where $t = 1$, Problem (*) exhibits a close relationship with the Turán problem. Fix an r -graph F , we say an r -graph \mathcal{H} is **F -free** if $\nu(F, \mathcal{H}) = 0$. In other words, \mathcal{H} does not contains F as a subgraph. The **Turán number** $\text{ex}(n, F)$ of F is the maximum number of edges in an F -free r -graph on n vertices. The **Turán density** of

F is defined as $\pi(F) := \lim_{n \rightarrow \infty} \text{ex}(n, F) / \binom{n}{r}$, the existence of the limit follows from a simple averaging argument of Katona, Nemetz, and Simonovits [34]. Let $\text{EX}(n, F)$ denote the collection of all n -vertex F -free r -graphs with exactly $\text{ex}(n, F)$ edges. Members in $\text{EX}(n, F)$ are the **extremal constructions** of F . The study of $\text{ex}(n, F)$ and $\text{EX}(n, F)$ is a central topic in Extremal Combinatorics. The celebrated Turán Theorem states that $\text{EX}(n, K_{\ell+1}) = \{T(n, \ell)\}$ for all $n \geq \ell \geq 2$, where $T(n, \ell)$ denote the balanced ℓ -partite graph with n vertices.

We call an r -graph F **nondegenerate** if $\pi(F) > 0$, and **degenerate** if $\pi(F) = 0$. By a theorem of Erdős [8], an r -graph F is degenerate iff it is **r -partite**, i.e. the vertex set of F can be partitioned into r parts such that every edge contains exactly one vertex from each part. The celebrated Erdős–Stone–Simonovits Theorem [13, 14] provides a satisfying bound for $\text{ex}(n, F)$ when F is a nondegenerate graph. However, determining $\text{ex}(n, F)$ (even asymptotically) for degenerate graphs and r -graphs with $r \geq 3$ remains a challenging problem in general. We refer the reader to surveys [24, 35] for more related results.

Our focus in this work lies in exploring average degree (i.e. edge density) constraints that force an r -graph to have large F -matching number, especially when F is a degenerate r -graph. Since our results are closely related to the Turán problem of F , we abuse the use of notation by letting $\text{ex}(n, (t+1)F)$ denote the maximum number of edges in an n -vertex r -graph \mathcal{H} with $\nu(F, \mathcal{H}) < t+1$. Let us introduce some definitions and known results before stating our results.

Given two r -graphs \mathcal{G} and \mathcal{H} , we use $\mathcal{G} \sqcup \mathcal{H}$ to denote the vertex-disjoint union of \mathcal{G} and \mathcal{H} . The **join** $\mathcal{G} \bowtie \mathcal{H}$ of \mathcal{G} and \mathcal{H} is the r -graph obtained from $\mathcal{G} \sqcup \mathcal{H}$ by adding all r -sets that have nonempty intersection with both $V(\mathcal{G})$ and $V(\mathcal{H})$. For simplicity, we define the join of an r -graph \mathcal{H} and a family \mathcal{F} of r -graphs as $\mathcal{H} \bowtie \mathcal{F} := \{\mathcal{H} \bowtie \mathcal{G} : \mathcal{G} \in \mathcal{F}\}$. Similar, let $\mathcal{H} \sqcup \mathcal{F} := \{\mathcal{H} \sqcup \mathcal{G} : \mathcal{G} \in \mathcal{F}\}$

In [7], Erdős considered $\text{ex}(n, (t+1)K_3)$ and proved the following result.

Theorem 1.3 (Erdős [7]). *Suppose that $n, t \in \mathbb{N}$ are integers satisfying $t \leq \sqrt{n/400}$. Then*

$$\text{EX}(n, (t+1)K_3) = \{K_t \bowtie T(n-t, 2)\}.$$

Later, Moon [51] extended it to all complete graphs.

Theorem 1.4 (Moon [51]). *Suppose that $n, t, \ell \in \mathbb{N}$ are integers satisfying $\ell \geq 2$, $t \leq \frac{2n-3\ell^2+2\ell}{\ell^3+2\ell^2+\ell+1}$, and $\ell \mid (n-t)$. Then*

$$\text{EX}(n, (t+1)K_{\ell+1}) = \{K_t \bowtie T(n-t, \ell)\}. \quad (1)$$

It is worth mentioning that Simonovits [59] also considered this problem and proved that if $t \geq 1$ and $\ell \geq 2$ are fixed integers, then (1) holds for all sufficiently large n .

Extending Theorem 1.4 to larger t becomes much more challenging. Indeed, a full density version of the Corrádi–Hajnal Theorem was obtained only very recently by Allen, Böttcher, Hladký, and Piguet [2] when n is large. Their results show that, interestingly, there are four different extremal constructions for four different regimes of t , and the construction $K_t \bowtie T(n-t, 2)$ is extremal only for $t \leq \frac{2n-6}{9}$. For the other three extremal constructions, we refer the reader to their paper for details. A full-density version of the Corrádi–Hajnal Theorem for larger complete graphs still seems out of reach, and it appears that there

are even no conjectures for the extremal constructions in general (see remarks in the last section of [2]).

In [31], the authors initiated a systematic study of $\text{ex}(n, (t+1)F)$ for nondegenerate hypergraphs F . It was showed in [31] that if a nondegenerate hypergraphs F satisfies the ‘Smoothness’ and ‘Boundedness’ constraints (refer to [31] for definitions), then for sufficiently large n and all $t \leq \epsilon n$, where $\epsilon > 0$ is a constant depending only on F , we have $\text{EX}(n, (t+1)F) = \{K_t \times \text{EX}(n, F)\}$.

To complement the work of [31], we initiate a systematic study of $\text{ex}(n, (t+1)F)$ for degenerate hypergraphs F in the present paper. Let us introduce some definitions and simple facts first.

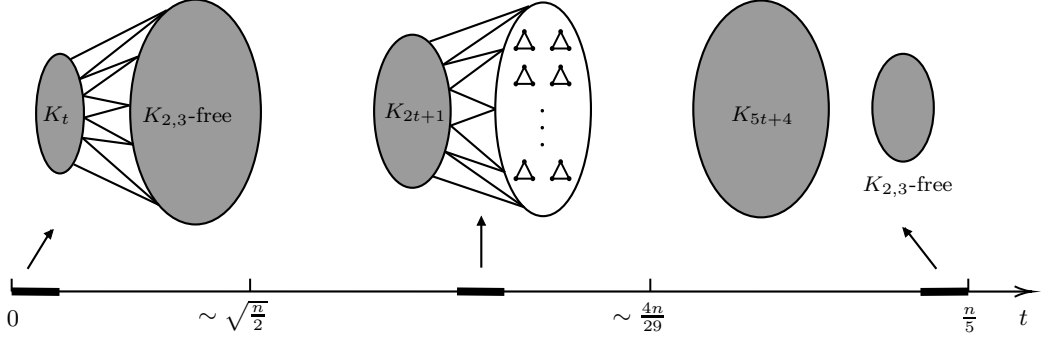


Figure 1: Three conjectured asymptotic extremal constructions for $\text{ex}(n, (t+1)K_{2,3})$ for t in different intervals. We highlighted the three small intervals in which the constructions are asymptotically optimal.

Given an r -graph F and an integer $s \in [0, v(F)]$, let

$$F[s] := \{F[S] : S \subset V(F) \text{ and } |S| = s\},$$

where $F[S]$ denotes the induced subgraph of F on S . The **covering number** $\tau(F)$ of F is defined as

$$\tau(F) := \min \{|S| : S \subset V(F) \text{ and } S \cap e \neq \emptyset \text{ for all } e \in F\}.$$

For an m -vertex r -graph F with covering number τ , let

- (i) $\mathcal{G}_1(n, t, F) := K_t^r \times \text{EX}(n-t, F)$,
- (ii) $\mathcal{G}_2(n, t, F) := K_{\tau(t+1)-1}^r \times \text{EX}(n - \tau(t+1) + 1, F[m - \tau + 1])$,
- (iii) $\mathcal{G}_3(n, t, F) := K_{m(t+1)-1}^r \sqcup \text{EX}(n - m(t+1) + 1, F)$.

Let $g_i(n, t, F)$ denote the size of a member in $\mathcal{G}_i(n, t, F)$ for $i \in \{1, 2, 3\}$. Simple calculations show that

$$\begin{aligned} g_1(n, t, F) &= \binom{n}{r} - \binom{n-t}{r} + \text{ex}(n-t, F), \\ g_2(n, t, F) &= \binom{n}{r} - \binom{n - \tau(t+1) + 1}{r} + \text{ex}(n - \tau(t+1) + 1, F[m - \tau + 1]), \quad \text{and} \\ g_3(n, t, F) &= \binom{m(t+1) - 1}{r} + \text{ex}(n - m(t+1) + 1, F). \end{aligned}$$

An easy observation is that the every member in the families defined above has n vertices and is $(t+1)F$ -free. Therefore, we have the following lower bound for $\text{ex}(n, (t+1)F)$.

Proposition 1.5. *Suppose that F is an m -vertex r -graph with covering number τ . Then*

$$\text{ex}(n, (t+1)F) \geq \max \{g_i(n, t, F) : i \in \{1, 2, 3\}\}$$

for all $t \geq 1$ and $n \geq mt$.

Our main results, which will be presented shortly, show that for an r -partite r -graph F with part sizes $s_r \geq \dots \geq s_1 = \tau(F)$, the constructions $\mathcal{G}_1(n, t, F)$, $\mathcal{G}_2(n, t, F)$, and $\mathcal{G}_3(n, t, F)$ are asymptotically optimal for $\text{ex}(n, (t+1)F)$ when n is large, and t lies in intervals $\left[0, \frac{\varepsilon \cdot \text{ex}(n, F)}{n^{r-1}}\right]$, $\left[\frac{\text{ex}(n, F)}{\varepsilon n^{r-1}}, \varepsilon n\right]$, and $\left[(1-\varepsilon)\frac{n}{v(F)}, \frac{n}{v(F)}\right]$, respectively (see Figure 1). Here $\varepsilon > 0$ is a constant depending only on F . We conjecture that when F is the balanced complete r -partite r -graph $K_{s, \dots, s}^r$, the asymptotic behavior of $\text{ex}(n, (t+1)F)$ is governed by the three constructions defined above for all feasible t . For general degenerate r -graphs, there are could be more extremal constructions (see Section 6 for more details). We hope that our results together with results in [31] may provide some insights towards a comprehensive generalization of the density version of the Corrádi–Hajnal Theorem for all hypergraphs.

1.2 The first interval

In this subsection, we present the result for $\text{ex}(n, (t+1)F)$ when t lies in $\left[0, \frac{\varepsilon \cdot \text{ex}(n, F)}{n^{r-1}}\right]$. This result shares similarities with the main result in [31], but here we only need the following weaker property of F .

Definition 1.6 (Boundedness). *Let $c_1, c_2 > 0$ be two constants. An r -graph F is (c_1, c_2) -bounded¹ if the following holds for all sufficiently large n . Every n -vertex r -graph \mathcal{H} with*

$$\Delta(\mathcal{H}) \geq c_1 \binom{n-1}{r-1} \quad \text{and} \quad |\mathcal{H}| \geq (1-c_2) \cdot \text{ex}(n, F)$$

contains a copy of F . We say F is bounded if it is (c_1, c_2) -bounded for some $c_1, c_2 > 0$.

We will show in [30] that many well-studied degenerate hypergraphs such as even cycles C_{2k} for $k \geq 2$, complete bipartite graphs $K_{s,t}$ for $t > s(s-1) \geq 2$, and the expansion of complete bipartite graphs $K_{s,t}^+$ for $t > (s-1)! \geq 2$ are bounded.

Theorem 1.7. *Let $m \geq r \geq 2$ be integers and F be an r -graph with m vertices. Suppose that F is (c_1, c_2) -bounded for some $c_1 < 1/m$ and $c_2 > 0$. Then for sufficiently large n ,*

$$\text{EX}(n, (t+1)F) = K_t^r \otimes \text{EX}(n-t, F)$$

holds for all integers t satisfying

$$0 \leq t \leq \min \left\{ \frac{\delta \cdot \text{ex}(n, F)}{m \binom{n-1}{r-1}}, \frac{\delta(n-1)}{8m(r-1)} \right\}, \quad \text{where} \quad \delta := \min \left\{ \frac{1}{4} \left(\frac{1}{m} - c_1 \right), \frac{c_2}{4} \right\}.$$

Definition 1.8 (Suspensions). *Let F be an $(r-1)$ -graph. The suspension \widehat{F} of F is the r -graph defined as $\widehat{F} := \{v \cup e : e \in F\}$, where v is a new vertex not contained in $V(F)$.*

¹ One could extend the definition of ‘Boundedness’ by allowing c_1 and c_2 to be functions of n , but constant functions are sufficient for our purpose in the present paper.

Observe that the suspension \widehat{F} of every hypergraph F is $(c_1, 1)$ -bounded for all $c_1 > \pi(F)$. Thus we have the following corollary.

Corollary 1.9. *Let $m \geq r \geq 2$ be integers and F be an $(r-1)$ -graph on $m-1$ vertices. Suppose that $\pi(F) < 1/m$. Then for sufficiently large n , we have*

$$\text{EX}(n, (t+1)\widehat{F}) = K_t^r \times \text{EX}(n-t, \widehat{F})$$

holds for all integers t satisfying

$$0 \leq t \leq \min \left\{ \frac{1 - m \cdot \pi(F)}{5m^2} \frac{\text{ex}(n, F)}{\binom{n-1}{r-1}}, \frac{1 - m \cdot \pi(F)}{40m^2} \frac{n-1}{r-1} \right\}.$$

Remarks.

- Note that we do not require F to be a degenerate hypergraph in Theorem 1.7. Thus Theorem 1.7 improves [31, Theorem 1.7] for nondegenerate r -graphs F with $\pi(F) < 1/v(F)$ since we do not need the ‘Smoothness’ constraint in Theorem 1.7. Also note that Corollary 1.9 improves [31, Theorem 1.7] for the suspension of nondegenerate r -graphs F with $\pi(F) < \frac{1}{v(F)+1}$, and an illustrative example is provided in the subsequent Corollary 1.10.
- For integers $r > b \geq 0$ let $Y_{r,b}$ denote the r -graph consisting of two edges that intersect in exactly b vertices. Gan, Han, Sun and Wang [25] (see also [28]) proved some asymptotic upper bounds for $\text{ex}(n, (t+1)Y_{r,b})$ for $r > b \geq 1$. Since $Y_{r,b}$ is the suspension of $Y_{r-1,b-1}$ for $b \geq 1$, Corollary 1.9 improves their results for t in the interval as stated in Corollary 1.9.

Let $r \geq 2$ be an integer. A notable example in hypergraph Turán problem is the **generalized triangle** T_r , defined as

$$T_r := \{\{1, \dots, r-1, r\}, \{1, \dots, r-1, r+1\}, \{r, r+1, \dots, 2r-1\}\}.$$

The study of $\pi(T_r)$ has a long history (see e.g. [50, 4, 18, 58, 57, 36, 56, 55, 43, 45]), although the precise value of $\pi(T_r)$ remains undetermined for all $r \geq 7$. Determining the $\pi(\widehat{T}_r)$ appears to be even more challenging in general, and the longstanding problem of determining $\pi(\widehat{T}_3)$, i.e. $\pi(K_4^{3-})$, remains open (see [19, 52]).

In [20], Frankl–Füredi showed that $\pi(T_r) \leq \frac{1}{e\binom{r-1}{2}}$, which is smaller than $\frac{1}{2r}$ when $r \geq 4$. Therefore, by Corollary 1.9², we obtain the following result, which appears to be the first of its kind for a hypergraph with an undetermined Turán density.

Corollary 1.10. *Suppose that $r \geq 4$ is an integer. Then for sufficiently large n ,*

$$\text{EX}(n, (t+1)\widehat{T}_r) = K_t^r \times \text{EX}(n-t, \widehat{T}_r),$$

holds for all integers t satisfying

$$0 \leq t \leq \frac{\left(1 - (2r-1) \cdot \pi(\widehat{T}_r)\right) \cdot \pi(\widehat{T}_r)}{5r(2r-1)^2} n.$$

The proof of Theorem 1.7 is presented in Section 3.

² Together with facts $\text{ex}(n, \widehat{T}_r) \geq \pi(\widehat{T}_r) \binom{n}{r}$, $\pi(\widehat{T}_r) \leq \pi(T_r) \leq \frac{1}{e\binom{r-1}{2}}$, and some simple calculations.

1.3 The second interval

In this subsection, we present the result for $\text{ex}(n, (t+1)F)$ when t lies in $\left[\frac{\text{ex}(n, F)}{\varepsilon n^{r-1}}, \varepsilon n\right]$.

Theorem 1.11. *Let $r \geq 2$ and $s_r \geq \dots \geq s_1 \geq 2$ be integers. Let $s := s_1 + \dots + s_r$ and $\mathbb{B} := B_{s_1, \dots, s_r}^r$ be an r -partite r -graph with part sizes s_1, \dots, s_r . For sufficiently large n ,*

$$\text{ex}(n, (t+1)\mathbb{B}) \leq \binom{n}{r} - \binom{n - s_1(t+1) + 1}{r} + \text{ex}(n - s_1(t+1) + 1, \mathbb{B}).$$

holds for all integers t satisfying

$$320es_1s \left(\frac{\text{ex}(n, \mathbb{B})}{\binom{n-1}{r-1}} + 320es_1s^2r! \right) \leq t \leq \frac{n}{512es_1s^3r!}.$$

For graphs, we are able to obtain the following tight bound.

Theorem 1.12. *Let $s_2 \geq s_1 \geq 2$ be integers. Let $s := s_1 + s_2$ and $\mathbb{B} := B_{s_1, s_2}$ be an s_1 by s_2 bipartite connected graph with $\tau(\mathbb{B}) = s_1$. For sufficiently large n ,*

$$\text{ex}(n, (t+1)\mathbb{B}) = \binom{n}{2} - \binom{n - s_1(t+1) + 1}{2} + \text{ex}(n - s_1(t+1) + 1, \mathbb{B}[s_2 + 1])$$

holds for all integers t satisfying

$$\max \left\{ \sqrt{32s_1sn}, \frac{12800es^5}{s_1} \left(\frac{\text{ex}(n, \mathbb{B})}{n-1} + 288es_1s^2r! \right) \right\} \leq t \leq \frac{n}{1024es_1s^3}.$$

Since the complete bipartite graph K_{s_1, s_2} with $s_2 \geq s_1 \geq 2$ satisfies $\text{ex}(n, K_{s_1, s_2}) \geq \text{ex}(n, K_{2,2}) = (1/2 - o(1))n^{3/2}$ (see [5, 12, 21, 22, 23]), we obtain the following corollary of Theorem 1.12.

Corollary 1.13. *Let $s_2 \geq s_1 \geq 2$ be integers. Let $s := s_1 + s_2$ and $\mathbb{K} := K_{s_1, s_2}$. For sufficiently large n ,*

$$\text{ex}(n, (t+1)\mathbb{K}) = \binom{n}{2} - \binom{n - s_1(t+1) + 1}{2} + \text{ex}(n - s_1(t+1) + 1, \mathbb{K}[s_2 + 1])$$

holds for all integers t satisfying

$$\frac{12801es^5 \cdot \text{ex}(n, \mathbb{K})}{s_1(n-1)} \leq t \leq \frac{n}{1024es_1s^3}.$$

The proof of Theorem 1.11 is presented in Section 5.2. The proof of Theorem 1.12 is presented in Section 5.3.

1.4 The third interval

We present the result for $\text{ex}(n, (t+1)F)$ when t lies in $\left[(1-\varepsilon)\frac{n}{v(F)}, \frac{n}{v(F)}\right]$ in this subsection.

We say an n -vertex r -graph \mathcal{H} is an m -**star** for some $m \leq n$ if there exists a set $V_1 \subset V(\mathcal{H})$ of size m such that every edge in \mathcal{H} contains at least one vertex in V_1 . Extending the

definition of $\text{ex}(n, F)$, we let $\text{ex}_{\text{star}}(m, n, F)$ denote the maximum number of edges in an F -free r -uniform m -star with n vertices. Observe that $\text{ex}_{\text{star}}(m, n, F) \leq \text{ex}(n, F)$ for all $m \leq n$, and $\text{ex}_{\text{star}}(n, n, F) = \text{ex}(n, F)$.

Let K_{s_1, \dots, s_r}^r denote the complete r -partite r -graph with part sizes s_1, \dots, s_r . Using an argument analogous to Erdős' proof in [8] (refer also to Proposition 2.11), it is easy to obtain the following result, which provides an improved upper bound for $\text{ex}_{\text{star}}(m, n, K_{s_1, \dots, s_r}^r)$ when m is small.

Proposition 1.14. *Suppose that $r \geq 2$ and $s_r \geq \dots \geq s_1 \geq 1$ are integers. Then*

$$\text{ex}_{\text{star}}(m, n, K_{s_1, \dots, s_r}^r) \leq \frac{(s_2 + \dots + s_r - r + 1)^{\frac{1}{s_1}}}{r} mn^{r-1 - \frac{1}{s_1 \dots s_{r-1}}} + \frac{s_1 - 1}{r} \binom{n}{r-1}.$$

Our main result in this subsection is as follows.

Theorem 1.15. *Let $r \geq 2$ and $s_r \geq \dots \geq s_1 \geq 1$ be integers. Let $s := s_1 + \dots + s_r$ and $\mathbb{B} := B_{s_1, \dots, s_r}^r$ be an r -partite r -graph with part sizes s_1, \dots, s_r . For sufficiently large n ,*

$$\text{ex}(n, (t+1)\mathbb{B}) \leq \binom{s(t+1) - 1}{r} + \text{ex}_{\text{star}}(n - st, n, s\mathbb{B}).$$

holds for all integers t satisfying

$$\frac{n}{s} - \frac{n}{16e^2 r^4 s^2 \prod_{i \in [r]} s_i} \leq t \leq \frac{n}{s}.$$

For graphs, we are able to obtain the following better bound.

Theorem 1.16. *Let $s_2 \geq s_1 \geq 2$ be integers. Let $s := s_1 + s_2$ and $\mathbb{B} := B_{s_1, s_2}$ be an s_1 by s_2 bipartite graph. For sufficiently large n ,*

$$\text{ex}(n, (t+1)\mathbb{B}) \leq \binom{s(t+1) - 1}{2} + \text{ex}(n - s(t+1) + 1, \mathbb{B}) + s_1 sn$$

holds for all integers t satisfying

$$\frac{n}{s} - \frac{n}{65s_1 s^2} \leq t \leq \frac{n}{s}.$$

The proof of Theorem 1.16 is presented in Section 4.1. The proof of Theorem 1.15 is presented in Section 4.2. In the next section, we present some definitions and preliminary results.

2 Preliminaries

Let $r \geq 2$ be an integer and \mathcal{H} be an r -graph. Given a set $W \subset V(\mathcal{H})$, we use $\mathcal{H}[W]$ to denote the **induced subgraph** of \mathcal{H} on W , and use $\mathcal{H} - W$ to denote the induced subgraph of \mathcal{H} on $V(\mathcal{H}) \setminus W$. Given two disjoint sets $S, T \subset V(\mathcal{H})$, we use $\mathcal{H}[S, T]$ to denote the collection of edges in \mathcal{H} that have nonempty intersection with both S and T . We use $\overline{\mathcal{H}}$ to denote the **complement** of \mathcal{H} .

The following simple inequalities will be useful.

Fact 2.1. Suppose that $n \geq r \geq 1$ and $t \in [n]$ are integers. Then

$$\binom{n-t}{r} \leq \left(1 - \frac{t}{n}\right)^r \binom{n}{r} \quad \text{and} \quad \binom{n}{r} \leq \left(\frac{n}{n-t-r}\right)^r \binom{n-t}{r}.$$

Fact 2.2 ([31, Lemma 3.4]). Suppose that $n, b, r \geq 1$ are integers satisfying $b \leq \frac{n-r^2+1}{r+1}$. Then

$$\binom{n}{r} \leq \frac{n^r}{r!} \leq e \binom{n-b}{r}.$$

Fact 2.3. Suppose that $n, \ell, x \geq 0$ are integers satisfying $\ell + x \leq n$. Then

$$\binom{n}{2} - \binom{n-\ell-x}{2} \geq \binom{n}{2} - \binom{n-\ell}{2} + x(n-\ell-x).$$

Fact 2.4. Suppose that $r \geq 1$ is an integer and $0 \leq x \leq \frac{1}{4r}$ is a real number. Then

$$\left(\frac{1}{1-x}\right)^r \leq 1 + 4rx.$$

Proof. This is due to

$$\left(\frac{1}{1-x}\right)^r \leq (1+2x)^r \leq 1 + 2rx + \sum_{i=2}^r (2rx)^i \leq 1 + 2rx + 2rx \cdot \sum_{i=1}^{r-1} \left(\frac{1}{2}\right)^i \leq 1 + 4rx. \quad \blacksquare$$

Fact 2.5. Suppose that $x \leq 1$ and $r \geq 1$ are real numbers. Then

$$(1-x)^{\frac{1}{r}} \leq 1 - \frac{x}{r}.$$

2.1 Graphs

Given integers $m, n, s_1, s_2 \geq 1$ and an s_1 by s_2 bipartite graph $B_{s_1, s_2} = B[W_1, W_2]$, the **Zarankiewicz number** $Z(m, n, B_{s_1, s_2})$ is the maximum number of edges in an m by n bipartite graph without a copy of B_{s_1, s_2} with the set W_1 contained in the part of size m and the set W_2 contained in the part of size n . For convenience, we use $Z(m, n, s_1, s_2)$ to denote $Z(m, n, K_{s_1, s_2})$.

We will use the following classical result of Kővári, Sós and Turán [39].

Theorem 2.6 (Kővári–Sós–Turán [39]). Let $m, n, s_1, s_2 \geq 1$ be integers. Then

$$\begin{aligned} \text{ex}(n, K_{s_1, s_2}) &\leq \frac{(s_2-1)^{\frac{1}{s_1}}}{2} n^{2-\frac{1}{s_1}} + \frac{s_1-1}{2} n, \quad \text{and} \\ Z(m, n, s_1, s_2) &\leq (s_2-1)^{\frac{1}{s_1}} mn^{1-\frac{1}{s_1}} + (s_1-1)n. \end{aligned}$$

The following result of Alon and Yuster [3] will be useful in the proof of Theorem 1.16.

Theorem 2.7 (Alon–Yuster [3]). Let F be a graph with m vertices. For every $\varepsilon > 0$ there exists $n_0 = n_0(\varepsilon, F)$ such that the following holds for all $n \geq n_0$. Every n -vertex graph G with $\delta(G) \geq \left(1 - \frac{1}{\chi(H)} + \varepsilon\right) n$ contains $\lfloor n/m \rfloor$ pairwise vertex-disjoint copies of F .

We also need the following simple result on $\frac{\text{ex}(n, F)}{n}$ in the proof of Theorem 1.16.

Proposition 2.8. *Let F be a connected graph. For all integers $n \geq m \geq 1$ we have*

$$\frac{\text{ex}(n, F)}{n} \geq \left(1 - \frac{m}{n}\right) \frac{\text{ex}(m, F)}{m}.$$

Proof. Let G_m be an m -vertex F -free graph with $\text{ex}(m, F)$ edges. Let G_n be the union of $\lfloor n/m \rfloor$ vertex-disjoint copies of G_m with a set of $n - m\lfloor n/m \rfloor$ isolated vertices. Since F is connected, the graph G_n is F -free. Therefore, we have

$$\frac{\text{ex}(n, F)}{n} \geq \frac{|G_n|}{n} = \frac{\lfloor n/m \rfloor \times \text{ex}(m, F)}{n} \geq \left(\frac{n}{m} - 1\right) \frac{m \text{ex}(m, F)}{n m} = \left(1 - \frac{m}{n}\right) \frac{\text{ex}(m, F)}{m},$$

proving Proposition 2.8. ■

2.2 Hypergraphs

Given a r -graph \mathcal{H} and a vertex $v \in V(\mathcal{H})$, the **link** $L_{\mathcal{H}}(v)$ of v in \mathcal{H} is defined as

$$L_{\mathcal{H}}(v) := \left\{ A \in \binom{V(\mathcal{H})}{r-1} : A \cup \{v\} \in \mathcal{H} \right\}.$$

Recall that the degree $d_{\mathcal{H}}(v)$ of v is $d_{\mathcal{H}}(v) := |L_{\mathcal{H}}(v)|$. Given a set $S \subset V(\mathcal{H})$ let

$$L_{\mathcal{H}}(S) := \bigcap_{v \in S} L_{\mathcal{H}}(v)$$

denote the **common link** of S in \mathcal{H} , and let $d_{\mathcal{H}}(S) := |L_{\mathcal{H}}(S)|$. Let $T \subset V(\mathcal{H})$ be a set of size $r - 1$, the **neighborhood** of T is

$$N_{\mathcal{H}}(T) := \{v \in V(\mathcal{H}) : T \cup \{v\} \in \mathcal{H}\}.$$

We will omit the subscript \mathcal{H} from the notations defined above if it is clear from the context.

Extending the Kővári–Sós–Turán Theorem to hypergraphs, Erdős [8] proved the following theorem.

Theorem 2.9 (Erdős [8]). *Let $n \geq r \geq 3$ and $s_r \geq \dots \geq s_1 \geq 1$ be integers. There exists a constant $C := C(r, s_1, \dots, s_r)$ such that*

$$\text{ex}(n, K_{s_1, \dots, s_r}^r) \leq C n^{r - \frac{1}{s_1 \cdots s_{r-1}}}.$$

Remark. A detailed analysis (see Appendix A) of the proof of Erdős in [8] shows that

$$\text{ex}(n, K_{s_1, \dots, s_r}^r) \leq \frac{(s_2 + \dots + s_r - r + 1)^{\frac{1}{s_1}}}{r} n^{r - \frac{1}{s_1 \cdots s_{r-1}}} + \frac{s_1 - 1}{r} \binom{n}{r-1}.$$

We also need the following lower bound for $\text{ex}(n, K_{s_1, \dots, s_r}^r)$ which comes from a simple application of the probabilistic deletion method.

Fact 2.10. *Let $r \geq 2$ and $s_r \geq s_{r-1} \geq \dots \geq s_1 \geq 2$ be integers. Then*

$$\text{ex}(n, K_{s_1, \dots, s_r}^r) \geq \text{ex}(n, K_{2, \dots, 2}^r) = \Omega\left(n^{r - \frac{r}{2^{r-1}}}\right) = \Omega\left(n^{r - \frac{2}{3}}\right). \quad (2)$$

An r -graph \mathcal{H} is **bipartite** if there exists a bipartition $V_1 \cup V_2 = V(\mathcal{H})$ such that every edge in \mathcal{H} has nonempty intersection with both V_1 and V_2 . A bipartite r -graph $\mathcal{H} = \mathcal{H}[V_1, V_2]$ is **semibipartite** if every edge in \mathcal{H} contains exactly one vertex from V_1 . Let $\mathbb{B} := B[W_1, \dots, W_r]$ be an r -partite r -graph with parts W_1, \dots, W_r . An **ordered copy** of \mathbb{B} in a semibipartite r -graph $\mathcal{H}[V_1, V_2]$ is a copy of \mathbb{B} with W_1 contained in V_1 and W_2, \dots, W_r contained in V_2 . Extending the graph Zarankiewicz number to hypergraphs, we use $Z(m, n, \mathbb{B})$ to denote the maximum number of edges in an m by n semibipartite r -graph without any ordered copy of \mathbb{B} . For convenience, let $Z(m, n, s_1, \dots, s_r) := Z(m, n, K_{s_1, \dots, s_r}^r)$.

Extending results of Kővári–Sós–Turán and Erdős, we prove the following upper bound for $Z(m, n, s_1, \dots, s_r)$. Since the proof is essentially the same as that of Erdős in [8], we include in Appendix B.

Proposition 2.11. *Suppose that $r \geq 3$, $s_r \geq \dots \geq s_1 \geq 1$, and $m, n \geq 1$ are integers. Then*

$$Z(m, n, s_1, \dots, s_r) \leq \frac{(s_2 + \dots + s_r - r + 1)^{\frac{1}{s_1}}}{r} mn^{r-1 - \frac{1}{s_1 \dots s_{r-1}}} + \frac{s_1 - 1}{r} \binom{n}{r-1}.$$

The following theorem of Lu and Székely [49] will be useful in the proof of Theorem 1.15.

Theorem 2.12 (Lu–Székely [49]). *Let F be an r -graph such that every edge in F has nonempty intersection with at most d other edges in F . Suppose that an n -vertex r -graph \mathcal{H} satisfies*

$$v(F) \mid v(\mathcal{H}) \quad \text{and} \quad \delta(\mathcal{H}) \geq \left(1 - \frac{1}{e \left(d + 1 + r^2 \frac{|F|}{v(F)} \right)} \right) \binom{n-1}{r-1}.$$

Then \mathcal{H} contains a perfect F -matching. In particular, if an n -vertex r -graph \mathcal{H} satisfies

$$\sum_{i \in [r]} s_i \mid v(\mathcal{H}) \quad \text{and} \quad \delta(\mathcal{H}) \geq \left(1 - \frac{1}{2er^2 \prod_{i \in [r]} s_i} \right) \binom{n-1}{r-1}.$$

Then \mathcal{H} contains a perfect K_{s_1, \dots, s_r}^r -matching.

The following simple upper bound for the number of edges in an $(t+1)F$ -free r -graph with bounded degree will be useful.

Lemma 2.13. *Let $m \geq r \geq 2$ be integers and F be an r -graph on m vertices. For every $t \geq 0$, every n -vertex $(t+1)F$ -free r -graph \mathcal{H} satisfies*

$$|\mathcal{H}| \leq mt \cdot \Delta(\mathcal{H}) + \text{ex}(n - mt, F).$$

Proof. Let \mathcal{H} be an n -vertex $(t+1)F$ -free r -graph. Let $\mathcal{F} = \{F_1, \dots, F_\ell\}$ be a maximum collection of pairwise vertex-disjoint copies of F in \mathcal{H} . Let $B := \bigcup_{i \in [\ell]} V(F_i)$. Since \mathcal{H} is $(t+1)F$ -free, we have $\ell \leq t$ and hence, $|B| \leq m\ell$. Let $U := V(\mathcal{H}) \setminus B$. By moving vertices from U to B , we may assume that $|B| = mt$. Observe that $\mathcal{H}[U]$ is F -free. So we have

$$|\mathcal{H}| \leq \sum_{v \in B} d_{\mathcal{H}}(v) + |\mathcal{H}[U]| \leq mt \cdot \Delta(\mathcal{H}) + \text{ex}(n - mt, F),$$

proving Lemma 2.13. ■

We will need the following simple fact regarding the monotonicity of $\binom{n}{r} - \binom{n-x}{r} + \text{ex}(n-x, F)$.

Fact 2.14. *Let F be an r -graph and let*

$$f(x) := \binom{n}{r} - \binom{n-x}{r} + \text{ex}(n-x, F)$$

for all integers $x \in [n]$. Then $f(\ell) \leq f(\ell+1)$ for all integers $\ell \in [n-1]$.

3 Proofs for theorems in the first interval

We prove Theorem 1.7 in this section. Let us start with some technical lemmas.

Lemma 3.1. *Let $n \geq m \geq r \geq 2$ be integers and $\delta \in [0, 1/m]$ be a real number. Let F be an m -vertex r -graph. Suppose that t is a positive integer satisfying*

$$t \leq \min \left\{ \frac{\delta mn}{r-1} - r, \frac{n}{m} \right\}.$$

Then every n -vertex $(t+1)F$ -free r -graph \mathcal{H} with $\Delta(\mathcal{H}) \leq (1/m - \delta) \binom{n-1}{r-1}$ satisfies

$$|\mathcal{H}| \leq \binom{n}{r} - \binom{n-t}{r} + \text{ex}(n-t, F).$$

Proof of Lemma 3.1. Since $t \leq \frac{\delta mn}{r-1} - r \leq n - (1 - \delta m) \frac{1}{r-1} n - r$, we have

$$(1 - \delta m) \left(\frac{n}{n-t-r} \right)^{r-1} \leq 1.$$

Combined with Lemma 2.13 and Fact 2.1, we obtain

$$\begin{aligned} |\mathcal{H}| &\leq mt \left(\frac{1}{m} - \delta \right) \binom{n-1}{r-1} + \text{ex}(n-mt, F) \\ &\leq (1 - \delta m) \left(\frac{n}{n-t-r} \right)^{r-1} t \binom{n-t}{r-1} + \text{ex}(n-t, F) \\ &\leq t \binom{n-t}{r-1} + \text{ex}(n-t, F) \leq \binom{n}{r} - \binom{n-t}{r} + \text{ex}(n-t, F), \end{aligned}$$

which proves Lemma 3.1. ■

Lemma 3.2. *Let $n \geq m \geq r \geq 2$ be integers and $\delta_1, \delta_2 \geq 0$ be real numbers. Let F be a (c_1, c_2) -bounded r -graph. Suppose that \mathcal{H} is an n -vertex r -graph satisfying*

- (i) $|\mathcal{H}| \geq (1 - c_2 + \delta_1) \text{ex}(n, F)$, and
- (ii) there exists a vertex $v \in V(\mathcal{H})$ with $d_{\mathcal{H}}(v) \geq (c_1 + \delta_2) \binom{n-1}{r-1}$.

Then for every set $B \subset V(\mathcal{H}) \setminus \{v\}$ of size at most $\min \left\{ \frac{\delta_1 \cdot \text{ex}(n, F)}{\binom{n-1}{r-1}}, \frac{\delta_2 (n-1)}{r-1} \right\}$, there exists a copy of F in \mathcal{H} that have empty intersection with B .

Proof. Fix $B \subset V(\mathcal{H}) \setminus \{v\}$ of size at most $\min \left\{ \frac{\delta_1 \cdot \text{ex}(n, F)}{\binom{n-1}{r-1}}, \frac{\delta_2(n-1)}{r-1} \right\}$. Let $U := V(\mathcal{H}) \setminus B$, $n_1 := |U|$, and $\mathcal{H}_1 := \mathcal{H}[U]$. It follows from the assumptions that

$$|\mathcal{H}_1| \geq (1 - c_2 + \delta_1) \text{ex}(n, F) - |B| \binom{n-1}{r-1} \geq (1 - c_2) \cdot \text{ex}(n, F),$$

and

$$d_{\mathcal{H}_1}(v) \geq d_{\mathcal{H}}(v) - |B| \binom{n-2}{r-2} \geq (c_1 + \delta_2) \binom{n-1}{r-1} - |B| \frac{r-1}{n-1} \binom{n-1}{r-1} \geq c_1 \binom{n-1}{r-1}.$$

So, it follows from the (c_1, c_2) -boundedness of F that $F \subset \mathcal{H}_1$. \blacksquare

Now we are ready to prove Theorem 1.7.

Proof of Theorem 1.7. Fix integers $m \geq r \geq 2$ and fix an m -vertex (c_1, c_2) -bounded r -graph F with $c_1 < 1/m$ and $c_2 > 0$. Let

$$\delta := \min \left\{ \frac{1}{4} \left(\frac{1}{m} - c_1 \right), \frac{c_2}{4} \right\}, \quad \text{and} \quad 0 \leq t \leq \min \left\{ \frac{\delta \cdot \text{ex}(n, F)}{m \binom{n-1}{r-1}}, \frac{\delta(n-1)}{8m(r-1)} \right\}.$$

Let n be a sufficiently large integer and \mathcal{H} be an n -vertex $(t+1)F$ -free r -graph with maximum number of edges. It follows from Proposition 1.5 that

$$|\mathcal{H}| \geq g_1(n, t, F) = \binom{n}{r} - \binom{n-t}{r} + \text{ex}(n-t, F). \quad (3)$$

Let

$$V := V(\mathcal{H}), \quad L := \left\{ v \in V : d_{\mathcal{H}}(v) \geq (c_1 + 2\delta) \binom{n-1}{r-1} \right\}, \quad U := V \setminus L, \quad \text{and} \quad \ell := |L|$$

For convenience, let us assume that $L = \{v_1, \dots, v_\ell\}$.

Claim 3.3. *We have $\ell \leq t$.*

Proof. Suppose to the contrary that $\ell \geq t+1$. We may assume that $\ell = t+1$, since otherwise we can replace L by a $(t+1)$ -subset. For $i \in [t+1]$ let $\mathcal{H}_i := \mathcal{H}[U \cup \{v_i\}]$. Let $n_1 := n - t$. Notice from (3) that for each $i \in [t+1]$, the r -graph \mathcal{H}_i satisfies

$$|\mathcal{H}_i| \geq |\mathcal{H}| - \left(\binom{n}{r} - \binom{n-t}{r} \right) \geq \text{ex}(n, F) \geq (1 - c_2 + \delta) \text{ex}(n, F). \quad (4)$$

For every $i \in [t+1]$ we will find a copy of F in \mathcal{H}_i , denoted by F_i , such that F_1, \dots, F_{t+1} are pairwise vertex-disjoint. Define $B_0 := \emptyset$. Suppose that we have defined $B_i \subset V(\mathcal{H})$ with $|B_i| \leq im$ for some $i \in [0, t]$. Consider the r -graph \mathcal{H}_{i+1} . It follows from the definition of L that

$$\begin{aligned} d_{\mathcal{H}_{i+1}}(v_{i+1}) &\geq d_{\mathcal{H}}(v_{i+1}) - t \binom{n-2}{r-2} \geq (c_1 + 2\delta) \binom{n-1}{r-1} - t \frac{r-1}{n-1} \binom{n-1}{r-1} \\ &\geq (c_1 + \delta) \binom{n-1}{r-1}. \end{aligned} \quad (5)$$

Since

$$|B_i| \leq im \leq tm \leq \min \left\{ \frac{\delta \cdot \text{ex}(n, F)}{\binom{n-1}{r-1}}, \frac{\delta(n-1)}{r-1} \right\},$$

it follows from (4), (5), and Lemma 3.2 that there exists a copy of F in \mathcal{H}_{i+1} that have empty intersection with B_i . Denote this copy of F by F_{i+1} and let $B_{i+1} := B_i \cup V(F_{i+1})$. Then $|B_{i+1}| = |B_i| + m \leq (i+1)m$. Inductively, we can find F_1, \dots, F_{t+1} as desired, contradicting the $(t+1)F$ -freeness of \mathcal{H} . \blacksquare

Let $t_1 := t - \ell$. It follows from Claim 3.3 that $t_1 \geq 0$.

Claim 3.4. *The induced subgraph $\mathcal{H}[U]$ is $(t_1 + 1)F$ -free.*

Proof. Suppose to the contrary that there exists $t_1 + 1$ pairwise vertex-disjoint copies of F , denoted by F'_1, \dots, F'_{t_1+1} , in $\mathcal{H}[U]$. Let $B_0 := \bigcup_{i \in [t_1+1]} V(F'_i)$ and notice that $|B_0| = (t_1 + 1)m$. For $i \in [\ell]$ let $\mathcal{H}_i := \mathcal{H}[U \cup \{v_i\}]$. Repeating the argument as in the proof of Claim 3.3, we find a copy of F , denoted by F_i , in \mathcal{H}_i for every $i \in [\ell]$, such that F_1, \dots, F_ℓ are pairwise vertex-disjoint. Moreover, we can also guarantee that each F_i have empty intersection with B_0 . However, this contradicts the $(t+1)F$ -freeness of \mathcal{H} , since $F_1, \dots, F_\ell, F'_1, \dots, F'_{t_1}$ are $t+1$ pairwise vertex-disjoint copies of F in \mathcal{H} . \blacksquare

It follows from $\ell \leq t \leq \frac{\delta(n-1)}{8m(r-1)}$ (Claim 3.3), the definition of L , Facts 2.1, and 2.4 that

$$\begin{aligned} \Delta(\mathcal{H}[U]) &\leq (c_1 + 2\delta) \binom{n-1}{r-1} \leq (c_1 + 2\delta) \left(\frac{n}{n-\ell-r} \right)^{r-1} \binom{n-\ell-1}{r-1} \\ &\leq (c_1 + 2\delta) \left(1 + \frac{4(r-1)(\ell+r)}{n} \right) \binom{n-\ell-1}{r-1} \\ &\leq (c_1 + 2\delta) \left(1 + \frac{\delta}{m} \right) \binom{n-\ell-1}{r-1} \\ &\leq (c_1 + 3\delta) \binom{n-\ell-1}{r-1} \leq \left(\frac{1}{m} - \delta \right) \binom{n-\ell-1}{r-1}, \end{aligned}$$

where the last inequality follows from the assumption that $\delta \leq \frac{1}{4} \left(\frac{1}{m} - c_1 \right)$. In addition, since n is large, we have $\frac{\delta m(n-\ell)}{r-1} - r \geq \frac{\delta(n-1)}{8m(r-1)} \geq t$. So it follows from Claim 3.3 and Lemma 3.1 that

$$\begin{aligned} |\mathcal{H}[U]| &\leq \binom{n-\ell}{r} - \binom{n-\ell-(t-\ell)}{r} + \text{ex}(n-\ell-(t-\ell), F) \\ &= \binom{n-\ell}{r} - \binom{n-t}{r} + \text{ex}(n-t, F). \end{aligned}$$

Consequently, we have

$$|\mathcal{H}| \leq \binom{n}{r} - \binom{n-\ell}{r} + |\mathcal{H}[U]| \leq \binom{n}{r} - \binom{n-t}{r} + \text{ex}(n-t, F),$$

proving Theorem 1.7. \blacksquare

4 Proofs for theorems in the third interval

In this section, we prove Theorems 1.15 and 1.16. Both proofs share a similar strategy, and we begin with the proof of Theorem 1.16 since it is more straightforward to comprehend compared to the hypergraph case.

4.1 Graphs: proof of Theorem 1.16

Let us provide a concise overview of the proof strategy for Theorem 1.16. We will start with an extremal $(t+1)\mathbb{B}$ -free graph G , take a maximum collection of pairwise vertex-disjoint copies of \mathbb{B} in G , and denote the union of their vertex sets by V_1 . We will show that the set $L \subset V_1$ of large degree vertices contains most vertices in V_1 . Then, a key step is to use the Alon–Yuster Theorem (Theorem 2.7) to show that the number of edges crossing L and $V(G) \setminus V_1$ is small. Using this key property and applying some relatively trivial estimates, we will obtain the desired bound on the size of $|G|$.

Proof of Theorem 1.16. Fix integers $s_2 \geq s_1 \geq 2$ and an s_1 by s_2 bipartite graph $B_{s_1, s_2} =: \mathbb{B}$. Let

$$s := s_1 + s_2 \quad \text{and} \quad \varepsilon := \frac{1}{65s_1s_2}.$$

Let n be a sufficiently large integer, $t \in \left[\frac{n}{s} - \varepsilon n, \frac{n}{s}\right]$ be an integer, and G be an n -vertex $(t+1)\mathbb{B}$ -free graph with maximum number of edges. Let $\hat{t} := s(t+1) - 1$ for simplicity. Notice from Proposition 1.5 and Fact 2.14 that

$$|G| \geq g_3(n, t, \mathbb{B}) = \binom{\hat{t}}{2} + \text{ex}(n - \hat{t}, \mathbb{B}) \geq \binom{st}{2} + \text{ex}(n - st, \mathbb{B}). \quad (6)$$

Let $\mathcal{B} = \{\mathbb{B}_1, \dots, \mathbb{B}_t\}$ be a collection of pairwise vertex-disjoint copies of \mathbb{B} in G (the existence of \mathcal{B} is guaranteed by the maximality of G). Let

$$V := V(G), \quad V_1 := \bigcup_{i \in [t]} V(B_i), \quad V_2 := V \setminus V_1, \quad \text{and} \quad G_i := G[V_i] \quad \text{for } i \in \{1, 2\}.$$

Note that $|V_1| = st$ and G_2 is \mathbb{B} -free, so we have (by Theorem 2.6)

$$|G_2| \leq \text{ex}(n - st, \mathbb{B}) \leq C(n - st)^{2 - \frac{1}{s_1}}. \quad (7)$$

Trivially, we have

$$|G[V_1, V_2]| \leq |V_1||V_2| = st(n - st). \quad (8)$$

Let

$$\alpha := 1 - \frac{1}{2s_1}, \quad L := \{v \in V_1 : d_{G_1}(v) \geq \alpha(st - 1)\}, \quad S := V_1 \setminus L, \quad \text{and} \quad \ell := |L|.$$

It follows from the definition of L that

$$\begin{aligned} |G_1| &= \frac{1}{2} \left(\sum_{v \in L} d_{G_1}(v) + \sum_{v \in S} d_{G_1}(v) \right) \\ &\leq \frac{1}{2} (\ell(st - 1) + (st - \ell)\alpha(st - 1)) = \binom{st}{2} - \frac{st - \ell}{2}(1 - \alpha)(st - 1). \end{aligned} \quad (9)$$

Claim 4.1. We have $|S| \leq \frac{4(n-st)}{(1-\alpha)}$.

Proof. It follows from (7), (8), and (9) that

$$\begin{aligned} |G| &= |G_1| + |G[V_1, V_2]| + |G_2| \\ &\leq \binom{st}{2} - \frac{st-\ell}{2}(1-\alpha)(st-1) + st(n-st) + \text{ex}(n-st, \mathbb{B}). \end{aligned}$$

Combined with (6), we obtain

$$-\frac{st-\ell}{2}(1-\alpha)(st-1) + st(n-st) \geq 0,$$

which implies that

$$|S| = st - \ell \leq \frac{2st(n-st)}{(st-1)(1-\alpha)} \leq \frac{4(n-st)}{1-\alpha}.$$

■

Let \mathcal{B}_S be the collection of members in \mathcal{B} that have nonempty intersection with S . Let

$$S_1 := \bigcup_{B_i \in \mathcal{B}_S} V(B_i) \quad \text{and} \quad L_1 := V_1 \setminus S_1.$$

Note that $S \subset S_1$ and $L_1 \subset L$. Also, notice from Claim 4.1 that

$$|S_1| \leq s|S| \leq \frac{4s(n-st)}{1-\alpha}. \tag{10}$$

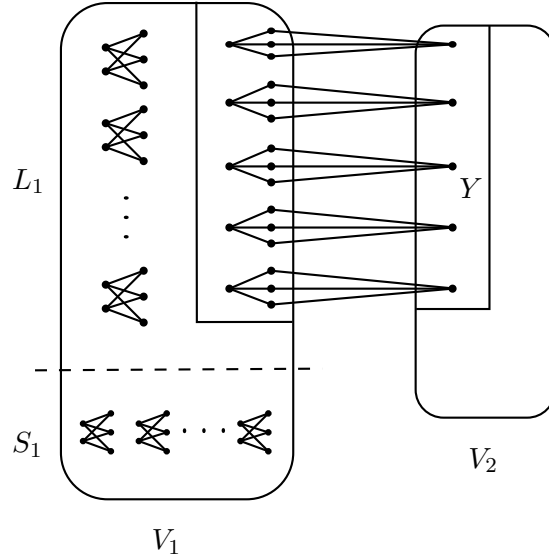


Figure 2: Supplementary diagram for Claim 4.2 when $F = K_{2,3}$.

Let

$$Y := \{v \in V_2 : |N_G(v) \cap L_1| \geq s_1 s\}.$$

Claim 4.2. We have $|Y| \leq s - 1$.

Proof. Suppose to the contrary that $|Y| \geq s$. Fix s vertices $u_1, \dots, u_s \in Y$. We will show that there exists a collection $\mathcal{B}' = \{B'_1, \dots, B'_s\}$ of pairwise vertex-disjoint copies of \mathbb{B} in $G[L_1 \cup V_2]$ such that $u_i \in B'_i$ for $i \in [s]$. Indeed, it follows from the definition of Y that there exists an s_1 -set $N_i \subset N_G(u_i) \cap L_1 \subset L$ for every $i \in [s]$ such that sets N_1, \dots, N_s are pairwise disjoint. It follows from the definition of L that

$$\begin{aligned} \left| \bigcap_{v \in N_i} N_G(v) \cap L_1 \right| &\geq st - s_1(st - \alpha(st - 1)) - |S_1| \\ &\geq (1 - s_1(1 - \alpha))st - s_1s - \frac{4s(n - st)}{1 - \alpha} \geq s_2s. \end{aligned}$$

Then, a simple greedy argument shows that such a collection \mathcal{B}' exists.

Let $L' := L_1 \setminus \bigcup_{i \in [s]} V(B'_i)$. Observe that $|L_1| = |L| - |S_1| - s(s - 1)$ is divisible by s . In addition, it follows from the definition of L that

$$\begin{aligned} \delta(G[L'_1]) &\geq \alpha(st - 1) - (|S_1| + s(s - 1)) \\ &\geq \alpha(st - 1) - \left(\frac{4s(n - st)}{1 - \alpha} + s(s - 1) \right) \\ &\geq \left(1 - \frac{1}{2s_1} \right) (st - 1) - \frac{2s_1 \cdot 4s \cdot \varepsilon s}{1 - \varepsilon s} st - s(s - 1) \\ &> \left(1 - \frac{1}{2s_1} \right) (st - 1) - \frac{1}{8}st - s(s - 1) > \left(\frac{1}{2} + \frac{1}{16} \right) (st - 1). \end{aligned}$$

Here, we used the assumption that $t \geq \frac{n}{s} - \varepsilon n$, $s_1 \geq 2$, and $\varepsilon = \frac{1}{65s_1s^2}$. So it follows from Theorem 2.7 that $G[L'_1]$ contains a perfect B_{s_1, s_2} -matching, i.e. $\frac{|L'_1|}{s}\mathbb{B} \subset G[L'_1]$. These copies of \mathbb{B} together with $\mathcal{B}_G \cup \mathcal{B}'$ shows that $(t + 1)\mathbb{B} \subset G$ (see Figure 2), which is a contradiction. \blacksquare

Claim 4.2 implies that the induced bipartite graph $G[L_1, V_2]$ of G on L_1 and V_2 satisfies

$$|G[L_1, V_2]| \leq (s - 1)|L_1| + (|V_2| - s + 1)(s_1s - 1) < (s - 1)st + s_1s(n - st). \quad (11)$$

It follows from (7), (9), (10), and (11) that

$$\begin{aligned} |G| &= |G_1| + |G_2| + |G[L_1, V_2]| + |G[S_1, V_2]| \\ &\leq \binom{st}{2} - \frac{st - \ell}{2}(1 - \alpha)(st - 1) + \text{ex}(n - st, \mathbb{B}) \\ &\quad + (s - 1)st + s_1s(n - st) + s(st - \ell)(n - st) \\ &\leq \binom{st}{2} + \text{ex}(n - st, \mathbb{B}) + s_1sn - \left(\frac{1 - \alpha}{2}(st - 1) - s(n - st) \right). \end{aligned}$$

Since $t \geq \frac{n}{s} - \varepsilon n$ and $\varepsilon = \frac{1}{65s_1s^2}$, we have

$$\frac{1 - \alpha}{2}(st - 1) - s(n - st) \geq \frac{1}{4s_1}(1 - \varepsilon s)n - 1 - s \cdot \varepsilon sn > 0.$$

Consequently,

$$|G| < \binom{st}{2} + \text{ex}(n - st, \mathbb{B}) + s_1sn \leq \binom{\hat{t}}{2} + \text{ex}(n - \hat{t}, \mathbb{B}) + s_1sn,$$

completing the proof of Theorem 1.16. \blacksquare

4.2 Hypergraphs: proof of Theorem 1.15

The proof strategy for Theorem 1.15 is similar to that of Theorem 1.16, except in the hypergraph case where we substitute Claim 4.2 with a less precise estimate, as presented in Claim 4.4.

Proof of Theorem 1.15. Fix integers $r \geq 3$, $s_r \geq \dots \geq s_1 \geq 2$, and an r -partite r -graph $\mathbb{B} := B_{s_1, \dots, s_r}^r$ with part sizes s_1, \dots, s_r . Let

$$s := \sum_{i \in [r]} s_i, \quad A := 2er^2 \prod_{i \in [r]} s_i, \quad \text{and} \quad \varepsilon := \frac{1}{8er^2 s^2 A}.$$

Let n be a sufficiently large integer and $t \in [\frac{n}{s} - \varepsilon n, \frac{n}{s}]$ be an integer. Let \mathcal{H} be a maximum n -vertex $(t+1)\mathbb{B}$ -free r -graph. Let $\hat{t} := s(t+1) - 1$ for simplicity. It follows from Proposition 1.5 and Fact 2.14 that

$$|\mathcal{H}| \geq g_3(n, t, \mathbb{B}) = \binom{\hat{t}}{r} + \text{ex}(n - \hat{t}, \mathbb{B}) \geq \binom{st}{r} + \text{ex}(n - st, \mathbb{B}). \quad (12)$$

Let $\mathcal{B} = \{\mathbb{B}_1, \dots, \mathbb{B}_t\}$ be a collection of vertex-disjoint copies of \mathbb{B} in \mathcal{H} (the existence of such a collection follows from the maximality of \mathcal{H}). Let

$$V := V(\mathcal{H}), \quad V_1 := \bigcup_{i \in [t]} V(\mathbb{B}_i), \quad V_2 := V \setminus V_1, \quad \text{and} \quad \mathcal{H}_i := \mathcal{H}[V_i] \quad \text{for } i \in \{1, 2\}.$$

Observe that $|V_1| = st$ and \mathcal{H}_2 is \mathbb{B} -free. Hence, by Theorem 2.9, we have

$$|\mathcal{H}_2| \leq \text{ex}(n - st, \mathbb{B}) \leq C(n - st)^{r - \frac{1}{s_1 \dots s_{r-1}}}. \quad (13)$$

Since $n - st \leq \varepsilon sn \leq \frac{n}{2r}$, it follows from Fact 2.2 that

$$|\mathcal{H}[V_1, V_2]| \leq \sum_{v \in V_2} d_{\mathcal{H}}(v) \leq (n - st) \binom{n-1}{r-1} < e(n - st) \binom{st-1}{r-1}. \quad (14)$$

Let

$$\alpha := 1 - \frac{1}{2A}, \quad L := \left\{ v \in V_1 : d_{\mathcal{H}_1}(v) \geq \alpha \binom{st-1}{r-1} \right\}, \quad S := V_1 \setminus L, \quad \text{and} \quad \ell := |L|.$$

It follows from the definition of L that

$$\begin{aligned} |\mathcal{H}_1| &= \frac{1}{r} \left(\sum_{v \in L} d_{\mathcal{H}_1}(v) + \sum_{v \in S} d_{\mathcal{H}_1}(v) \right) \\ &\leq \frac{1}{r} \left(\ell \binom{st-1}{r-1} + (st - \ell) \alpha \binom{st-1}{r-1} \right) = \binom{st}{r} - (1 - \alpha) \frac{st - \ell}{r} \binom{st-1}{r-1}. \end{aligned} \quad (15)$$

Claim 4.3. *We have $|S| < \frac{er(n-st)}{1-\alpha}$.*

Proof. It follows from (13), (14), and (15) that

$$\begin{aligned} |\mathcal{H}| &= |\mathcal{H}_1| + |\mathcal{H}[V_1, V_2]| + |\mathcal{H}_2| \\ &< \binom{st}{r} - (1 - \alpha) \frac{st - \ell}{r} \binom{st-1}{r-1} + e(n - st) \binom{st-1}{r-1} + \text{ex}(n - st, \mathbb{B}). \end{aligned}$$

Combined with (12), we obtain

$$-(1-\alpha)\frac{st-\ell}{r}\binom{st-1}{r-1} + e(n-st)\binom{st-1}{r-1} > 0,$$

which implies that $|S| = st - \ell < \frac{er(n-st)}{1-\alpha}$. \blacksquare

Let \mathcal{B}_S be the collection of elements in \mathcal{B} that have nonempty intersection with S . Let

$$S_1 := \bigcup_{\mathbb{B}_i \in \mathcal{B}_S} V(\mathbb{B}_i) \quad \text{and} \quad L_1 := V_1 \setminus S_1.$$

Observe that $S \subset S_1$ and $L_1 \subset L$. Also observe from Claim 4.3 that

$$|S_1| \leq s|S| \leq \frac{ers(n-st)}{1-\alpha}. \quad (16)$$

Claim 4.4. *The r -graph $\mathcal{H}' := \mathcal{H}[L_1 \cup V_2] \setminus \mathcal{H}[L_1]$ is $s\mathbb{B}$ -free. In particular, we have*

$$|\mathcal{H}'| \leq \text{ex}_{\text{star}}(n-st, n, s\mathbb{B}).$$

Proof. Suppose to the contrary that there exists a collection $\mathcal{B}' = \{\mathbb{B}'_1, \dots, \mathbb{B}'_s\}$ of pairwise vertex-disjoint copies of \mathbb{B} in \mathcal{H}' . Let $W := \bigcup_{i \in [s]} V(\mathbb{B}'_i)$, $W_1 := W \cap L_1$, and $W_2 := W \cap V_2$. Observe that every \mathbb{B}'_i contains at least one vertex from V_2 (since L_1 is an independent set in \mathcal{H}'). So we have $|W_1| \leq (s-1)s$. It follows that

$$|V_1 \setminus W_1| \geq st - (s-1)s = s(t+1-s).$$

Fix an arbitrary subset $L'_1 \subset L_1 \setminus W_1$ of size exactly $s(t+1-s) - |S_1|$. It follows from the definition of L that the induced subgraph $\mathcal{H}[L'_1]$ satisfies

$$\begin{aligned} \delta(\mathcal{H}[L'_1]) &\geq \alpha \binom{st-1}{t-1} - |V_1 \setminus L'_1| \binom{st-2}{r-2} \\ &\geq \alpha \binom{st-1}{t-1} - (|S_1| + (s-1)s) \frac{r-1}{st-1} \binom{st-1}{r-1} \\ &> \left(\alpha - \left(\frac{ers(n-st)}{1-\alpha} + s^2 \right) \frac{r-1}{st-1} \right) \binom{st-1}{r-1}, \end{aligned}$$

where the last inequality follows from (16). Since n is sufficiently large and $t \geq n/s - \varepsilon n$, simple calculations show that $\left(\frac{ers(n-st)}{1-\alpha} + s^2 \right) \frac{r-1}{st-1} < \frac{1}{2A}$. Therefore, we have $\delta(\mathcal{H}[L'_1]) \geq \left(1 - \frac{1}{A}\right) \binom{st-1}{r-1}$. It follows from Theorem 2.12 that $(t+1-s - |S_1|/s)\mathbb{B} \subset \mathcal{H}[L'_1]$. However, these $t+1-s - |S_1|/s$ copies of \mathbb{B} together with $\mathcal{B}_S \cup \mathcal{B}'$ show that $(t+1)\mathbb{B} \subset \mathcal{H}$, a contradiction. \blacksquare

Let $\mathcal{H}'' := \{e \in \mathcal{H} : e \cap S_1 \neq \emptyset \text{ and } e \cap V_2 \neq \emptyset\}$. Using Fact 2.2 and Claim 4.3, we obtain

$$\begin{aligned} |\mathcal{H}''| &\leq |S_1| |V_2| \binom{n-2}{r-2} \leq s|S| \times (n-st) \times e \binom{st-2}{r-2} \\ &\leq es(n-st)|S| \times \frac{r}{st} \binom{st-1}{r-1} \\ &= \frac{\varepsilon r^2 sn}{(1/s - \varepsilon)n} \frac{st-\ell}{r} \binom{st-1}{r-1} \leq \frac{1}{4A} \frac{st-\ell}{r} \binom{st-1}{r-1}, \end{aligned}$$

where the last inequality follows from $\varepsilon = \frac{1}{8er^2s^2A}$. Combined with (15) and Claim 4.4, we obtain

$$\begin{aligned}
|\mathcal{H}| &= |\mathcal{H}_1| + |\mathcal{H}''| + |\mathcal{H}'| \\
&\leq \binom{st}{r} - (1 - \alpha) \frac{st - \ell}{r} \binom{st - 1}{r - 1} + \frac{1}{4A} \frac{st - \ell}{r} \binom{st - 1}{r - 1} + \text{ex}_{\text{star}}(n - st, n, s\mathbb{B}) \\
&= \binom{st}{r} - \left(\frac{1}{2A} - \frac{1}{4A} \right) \frac{st - \ell}{r} \binom{st - 1}{r - 1} + \text{ex}_{\text{star}}(n - st, n, s\mathbb{B}) \\
&< \binom{s(t+1) - 1}{r} + \text{ex}_{\text{star}}(n - st, n, s\mathbb{B}),
\end{aligned}$$

completing the proof of Theorem 1.15. \blacksquare

5 Proofs for theorems in the second interval

In this section, we prove Theorems 1.11 and 1.12. Let us start with some technical lemmas.

5.1 Preparations

Using Proposition 2.11, we establish the following lemma, ensuring a near-perfect K_{s_1, \dots, s_r}^r -matching in a semibipartite r -graph with a minimum degree of $\Omega(n^{r-1})$ on one side.

Lemma 5.1. *Let $r \geq 2$ and $s_r \geq \dots \geq s_1 \geq 2$ be integers and let $\alpha > 0$ be a real number. Let $s := s_1 + \dots + s_r$ and $\mathbb{K} := K_{s_1, \dots, s_r}^r$. The following holds for sufficiently large n . Suppose that \mathcal{H} is an m by n semibipartite r -graph on V_1 and V_2 with $m \leq \frac{\alpha n}{s - s_1}$ and $d_{\mathcal{H}}(v) \geq \alpha n^{r-1}$ for every $v \in V_1$. Then \mathcal{H} contains at least $\lfloor \frac{m}{s_1} - \frac{4}{\alpha} \rfloor$ pairwise vertex-disjoint copies of ordered \mathbb{K} .*

Proof. Let n be sufficiently large and \mathcal{H} be an m by n semibipartite r -graph on V_1 and V_2 with $n \geq (s - s_1)m/\alpha$ and $d_{\mathcal{H}}(v) \geq \alpha n^{r-1}$ for every $v \in V_1$. We may assume that $m \geq \frac{4s_1}{\alpha}$, since otherwise $\lfloor \frac{m}{s_1} - \frac{4}{\alpha} \rfloor \leq 0$, and there is nothing to prove. Let $\mathcal{K} = \{K_1, \dots, K_\ell\}$ be a maximum collection of pairwise vertex-disjoint copies of ordered K in \mathcal{H} . Let $B := \bigcup_{i \in [\ell]} V(K_i)$, $B_i := B \cap V_i$, and $V'_i := V_i \setminus B_i$ for $i \in \{1, 2\}$. Let \mathcal{H}' be the induced subgraph of \mathcal{H} on $V'_1 \cup V'_2$ and note that \mathcal{H}' is also semibipartite. Suppose to the contrary that $\ell \leq \frac{m}{s_1} - \frac{4}{\alpha}$. Then $|B_1| = s_1 \ell \leq m - \frac{4s_1}{\alpha}$ and $|B_2| = (s - s_1)\ell \leq (s - s_1) \frac{m}{s_1} \leq \frac{\alpha n}{s_1}$. Therefore, $|V'_1| = m - |B_1| \geq \frac{4s_1}{\alpha}$ and

$$\begin{aligned}
|\mathcal{H}'| &= \sum_{v \in V'_1} d_{\mathcal{H}'}(v) \geq \sum_{v \in V'_1} \left(d_{\mathcal{H}}(v) - |B_2| \binom{n-1}{r-2} \right) \\
&\geq |V'_1| \left(\alpha n^{r-1} - \frac{\alpha n}{s_1} \binom{n-1}{r-2} \right) \\
&\geq |V'_1| \times \frac{\alpha}{2} n^{r-1} \\
&= |V'_1| \times \frac{\alpha}{4} n^{r-1} + |V'_1| \times \frac{\alpha}{4} n^{r-1} \geq C |V'_1| n^{r-1 - \frac{1}{s_1 \dots s_{r-1}}} + s_1 n^{r-1}.
\end{aligned}$$

It follows from Proposition 2.11 that \mathcal{H}' contains an ordered copy of K , contradicting the maximality of \mathcal{K} . \blacksquare

If we extend the assumptions in Lemma 5.1 by assuming the number of vertices with near-maximum degree is at least some constant, then we can enhance the lemma by finding a perfect K_{s_1, \dots, s_r}^r -matching. The proof relies on a simple absorption strategy, pairing a low-degree vertex with $s_1 - 1$ high-degree vertices.

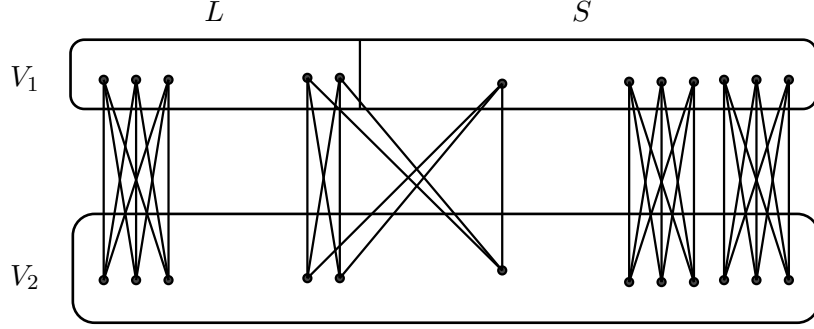


Figure 3: Supplementary diagram for Claim 5.2 when $F = K_{3,3}$.

Lemma 5.2. *Let $r \geq 2$ and $s_r \geq \dots \geq s_1 \geq 2$ be integers and $\alpha > 0$ be a real number. Let $s := s_1 + \dots + s_r$ and $\mathbb{K} := K_{s_1, \dots, s_r}^r$. The following statement holds for sufficiently large n . Suppose that \mathcal{H} is an m by n semibipartite r -graph on V_1 and V_2 that satisfies*

- (i) $m \leq \frac{\alpha n}{8(s-s_1)}$,
- (ii) $d_{\mathcal{H}}(v) \geq \alpha n^{r-1}$ for every $v \in V_1$, and
- (iii) $L := \left\{ v \in V_1 : d(v) \geq \binom{n}{r-1} - \frac{\alpha n^{r-1}}{2s_1} \right\}$ has size at least $\min \left\{ \frac{5s_1(s_1-1)}{\alpha}, \frac{s_1-1}{s_1} m \right\}$.

Then \mathcal{H} contains $\lfloor m/s_1 \rfloor$ pairwise vertex-disjoint copies of ordered \mathbb{K} .

Proof. Let $S := V_1 \setminus L$, $\mathcal{H}_S := \mathcal{H}[S \cup V_2]$, and $\mathcal{K}_S = \{\mathbb{K}_1, \dots, \mathbb{K}_\ell\}$ be a maximum collection of ordered copies of \mathbb{K} in \mathcal{H}_S . Let

$$B_S := \bigcup_{i \in [\ell]} V(\mathbb{K}_i), \quad V'_2 := V_2 \setminus B_S, \quad S_1 := S \setminus B_S, \quad \text{and} \quad m_1 := |S_1|.$$

It follows from Lemma 5.1 that $\ell \geq \max \left\{ \left\lfloor \frac{|S|}{s_1} - \frac{4}{\alpha} \right\rfloor, 0 \right\}$, and hence,

$$m_1 = |S| - s_1 \ell \leq |S| - s_1 \times \max \left\{ \left\lfloor \frac{|S|}{s_1} - \frac{4}{\alpha} \right\rfloor, 0 \right\} \leq \min \left\{ \frac{5s_1}{\alpha}, |S| \right\}. \quad (17)$$

Let us assume that $S_1 := \{v_1, \dots, v_{m_1}\}$. Let T_1, \dots, T_{m_1} be pairwise disjoint $(s_1 - 1)$ -subsets of L (the existence of such T_i 's is guaranteed by (iii) and (17)). Let \mathcal{H}_i denote the induced subgraph of \mathcal{H} on $\{v_i\} \cup T_i \cup V'_2$ for $i \in [m_1]$.

Let $B_0 := \emptyset$. Suppose that we have defined $B_i \subset V_2$ of size $i(s - s_1)$ for some $i \in [0, m_1 - 1]$. We will find an ordered copy of \mathbb{K} in $\mathcal{H}'_{i+1} := \mathcal{H}_{i+1} - B_i$. Indeed, notice from (i) that

$$|B_i \cup B_S| \leq \frac{m}{s_1}(s - s_1) \leq \frac{\alpha n}{4}.$$

Combined with (ii) and (iii), we see that the common link $L_{\mathcal{H}'_{i+1}}(T_{i+1} \cup \{v_{i+1}\})$ satisfies

$$\begin{aligned} L_{\mathcal{H}'_{i+1}}(T_{i+1} \cup \{v_{i+1}\}) &\geq d_{\mathcal{H}}(v_{i+1}) - \sum_{u \in T_{i+1}} \left(\binom{n}{r-1} - d_{\mathcal{H}}(u) \right) - |B_i \cup B_S| \binom{n-1}{r-2} \\ &\geq \alpha n^{r-1} - (s_1 - 1) \frac{\alpha n^{r-1}}{2s_1} - \frac{\alpha n}{4} \binom{n-1}{r-2} \geq \frac{\alpha n^{r-1}}{4}. \end{aligned}$$

Since n is sufficiently large, it follows from Theorem 2.9 that $K_{s_2, \dots, s_r}^{r-1} \subset L_{\mathcal{H}'_{i+1}}(T_{i+1} \cup \{v_{i+1}\})$. This copy of $K_{s_2, \dots, s_r}^{r-1}$ together with $T_{i+1} \cup \{v_{i+1}\}$ forms a copy of ordered \mathbb{K} in \mathcal{H}'_{i+1} (see Figure 3). Denote this copy of ordered \mathbb{K} by \mathbb{K}'_{i+1} . Let $B_{i+1} := B_i \cup (V(\mathbb{K}'_{i+1}) \cap V_2)$ and notice that $|B_{i+1}| = |B_i| + s - s_1 = (i+1)(s - s_1)$. Inductively, we can find a copy of ordered \mathbb{K} , denoted by \mathbb{K}'_i , from \mathcal{H}_i for every $i \in [m_1]$ such that $\mathbb{K}'_1, \dots, \mathbb{K}'_{m_1}$ are pairwise vertex-disjoint. Let $L' := L \setminus \bigcup_{i \in [m_1]} T_i$ and $V_2'' := V_2 \setminus (B_{m_1} \cup B_S)$. Repeating the argument above to the induced subgraph of \mathcal{H} on $L' \cup V_2''$, we can find $\lfloor m/s_1 \rfloor - m_1 - \ell$ pairwise vertex-disjoint ordered copies of \mathbb{K} in $\mathcal{H}[L' \cup V_2'']$, showing that \mathcal{H} contains at least $\lfloor m/s_1 \rfloor$ pairwise vertex-disjoint copies of ordered \mathbb{K} (see Figure 3). \blacksquare

A minor adjustment to the proof of Lemma 5.2 results in the following simple lemma.

Lemma 5.3. *Let $r \geq 2$ and $s_r \geq \dots \geq s_1 \geq 2$ be integers and $\alpha < 1/s_1$ be a nonnegative real number. Let $s := s_1 + \dots + s_r$ and $\mathbb{K} := K_{s_1, \dots, s_r}^r$. The following statement holds for sufficiently large n . Suppose that \mathcal{H} is an m by n semibipartite r -graph on V_1 and V_2 that satisfies*

$$m \leq \frac{(1 - \alpha s_1) s_1}{(r-1)(s - s_1)} n \quad \text{and} \quad d_{\mathcal{H}}(v) \geq (1 - \alpha) \binom{n}{r-1} \quad \text{for all } v \in V_1.$$

Then \mathcal{H} contains $\lfloor m/s_1 \rfloor$ pairwise vertex-disjoint copies of ordered \mathbb{K} .

Using Lemma 5.1, we can derive the following crude but useful upper bound for $\text{ex}(n, (t+1)F)$.

Lemma 5.4. *Let $r \geq 2$ and $s_r \geq \dots \geq s_1 \geq 2$ be integers. Let $s := s_1 + \dots + s_r$ and $\mathbb{B} := B_{s_1, \dots, s_r}^r$ be an r -partite r -graph with part sizes s_1, \dots, s_r . For every $\alpha > 0$ there exists N_0 such that the following statement holds for all $n \geq N_0$ and $t \leq \frac{\alpha n}{9s^2 r!}$. Every n -vertex $(t+1)\mathbb{B}$ -free r -graph \mathcal{H} satisfies*

$$|\mathcal{H}| \leq \left(s_1 t + \frac{17sr!}{\alpha} \right) \Delta(\mathcal{H}) + \frac{\alpha s_1}{2r!} t n^{r-1} + \text{ex}(n - st, \mathbb{B}).$$

If, in addition, $\Delta(\mathcal{H}) \leq (1 - \alpha) \binom{n-1}{r-1}$ and $t \geq \frac{5}{\alpha s_1} \left(\frac{\text{ex}(n, \mathbb{B})}{\binom{n-1}{r-1}} + \frac{18sr!}{\alpha} \right)$, then

$$|\mathcal{H}| \leq \binom{n}{r} - \binom{n - s_1(t-1)}{r}.$$

Proof. Fix $\alpha > 0$ and let n be sufficiently large. Let \mathcal{H} be a maximum n -vertex $(t+1)\mathbb{B}$ -free r -graph. Let $\mathcal{B} = \{\mathbb{B}_1, \dots, \mathbb{B}_t\}$ be a collection of pairwise vertex-disjoint copies of \mathbb{B} in \mathcal{H} . Let

$$V := V(\mathcal{H}), \quad V_1 := \bigcup_{i \in [t]} V(\mathbb{B}_i), \quad V_2 := V \setminus V_1, \quad \text{and} \quad L := \left\{ v \in V_1 : d_{\mathcal{H}}(v) \geq \frac{\alpha s_1 n^{r-1}}{2sr!} \right\}.$$

Claim 5.5. We have $|L| \leq \left(t + 1 + \frac{16sr!}{\alpha s_1}\right) s_1$.

Proof. Suppose this is not true. Let

$$m := \left\lceil \left(t + 1 + \frac{16sr!}{\alpha s_1}\right) s_1 \right\rceil \leq 2 \times \frac{\alpha n}{9s^2 r!} \times s_1 \leq \frac{\alpha s_1 n}{4s^2 r!} \leq \frac{\alpha(n-m)}{8s}.$$

We may assume that $|L| = m$, since otherwise we can replace L by a subset of size m . Let \mathcal{H}' be the collection of edges in \mathcal{H} that have exactly one vertex in L . Notice that \mathcal{H}' is semibipartite and for every $v \in L$, we have

$$d_{\mathcal{H}'}(v) \geq d_{\mathcal{H}}(v) - |L| \binom{n-2}{r-2} \geq \frac{\alpha s_1 n^{r-1}}{2sr!} - m \frac{r-1}{n-1} \binom{n-1}{r-1} \geq \frac{\alpha s_1 n^{r-1}}{4sr!}.$$

Therefore, by Lemma 5.1, the semibipartite r -graph \mathcal{H}' contains at least

$$\left\lfloor \frac{m}{s_1} - 4 \left(\frac{\alpha s_1}{4sr!}\right)^{-1} \right\rfloor \geq \left\lfloor t + 1 + \frac{16sr!}{\alpha s_1} - \frac{16sr!}{\alpha s_1} \right\rfloor = t + 1$$

copies of ordered \mathbb{B} , a contradiction. ■

It follows from Claim 5.5 and some simple calculations that

$$\begin{aligned} |\mathcal{H}| &= \sum_{v \in L} d_{\mathcal{H}}(v) + \sum_{v \in V_1 \setminus L} d_{\mathcal{H}}(v) + |\mathcal{H}[V_2]| \\ &\leq \left(s_1 t + s_1 + \frac{16sr!}{\alpha}\right) \Delta(\mathcal{H}) + st \times \frac{\alpha s_1 n^{r-1}}{2sr!} + \text{ex}(n - st, \mathbb{B}) \\ &\leq \left(s_1 t + \frac{17sr!}{\alpha}\right) \Delta(\mathcal{H}) + \frac{\alpha s_1}{2r!} t n^{r-1} + \text{ex}(n - st, \mathbb{B}). \end{aligned}$$

Assume additionally that $\Delta(\mathcal{H}) \leq (1 - \alpha) \binom{n-1}{r-1}$ and $t \geq \frac{5}{\alpha s_1} \left(\frac{\text{ex}(n, \mathbb{B})}{\binom{n-1}{r-1}} + \frac{18sr!}{\alpha}\right)$. Then it follows from the inequality above that

$$\begin{aligned} |\mathcal{H}| &\leq \left(s_1 t + \frac{17sr!}{\alpha}\right) (1 - \alpha) \binom{n-1}{r-1} + \frac{\alpha s_1}{2r!} t n^{r-1} + \text{ex}(n - st, \mathbb{B}) \\ &\leq s_1 t \left(1 - \frac{\alpha}{2}\right) \binom{n-1}{r-1} - s_1 t \frac{\alpha}{2} \binom{n-1}{r-1} + \frac{17sr!}{\alpha} \binom{n-1}{r-1} + \frac{\alpha s_1}{2r!} t n^{r-1} + \text{ex}(n, \mathbb{B}). \end{aligned}$$

Since n is large and $t \geq \frac{5}{\alpha s_1} \left(\frac{\text{ex}(n, \mathbb{B})}{\binom{n-1}{r-1}} + \frac{18sr!}{\alpha}\right)$, we have

$$\begin{aligned} &- s_1 t \frac{\alpha}{2} \binom{n-1}{r-1} + \frac{17sr!}{\alpha} \binom{n-1}{r-1} + \frac{\alpha s_1}{2r!} t n^{r-1} + \text{ex}(n, \mathbb{B}) \\ &\leq - \left(\frac{\alpha s_1}{2} t - \frac{18sr!}{\alpha} - \frac{\alpha s_1}{2r} t - o(1) - \frac{\text{ex}(n, \mathbb{B})}{\binom{n-1}{r-1}}\right) \binom{n-1}{r-1} - s_1 \binom{n-1}{r-1} \\ &\leq - \left(\frac{\alpha s_1}{5} t - \frac{18sr!}{\alpha} - \frac{\text{ex}(n, \mathbb{B})}{\binom{n-1}{r-1}}\right) \binom{n-1}{r-1} - s_1 \binom{n-1}{r-1} \leq -s_1 \binom{n-1}{r-1}. \end{aligned}$$

It follows $t \leq \frac{\alpha n}{9s^2r!}$, Facts 2.1, and 2.4 that

$$\begin{aligned} \left(1 - \frac{\alpha}{2}\right) \binom{n-1}{r-1} &\leq \left(1 - \frac{\alpha}{2}\right) \left(\frac{n}{n-s_1t-r}\right)^{r-1} \binom{n-s_1t}{r-1} \\ &\leq \left(1 - \frac{\alpha}{2}\right) \left(1 + \frac{4(r-1)(s_1t+r)}{n}\right) \binom{n-s_1t}{r-1} \\ &\leq \left(1 - \frac{\alpha}{2}\right) \left(1 + \frac{\alpha}{2}\right) \binom{n-s_1t}{r-1} \leq \binom{n-s_1t}{r-1}. \end{aligned}$$

Therefore, we obtain

$$|\mathcal{H}| \leq s_1(t-1) \binom{n-s_1t}{r-1} + s_1 \binom{n-1}{r-1} - s_1 \binom{n-1}{r-1} \leq \binom{n}{r} - \binom{n-s_1(t-1)}{r},$$

completing the proof of Lemma 5.4. \blacksquare

5.2 Hypergraphs: proof of Theorem 1.11

In this subsection, we establish the validity of Theorem 1.11. Our proof strategy begins by considering the collection $L \subset V(\mathcal{H})$ of all vertices in an n -vertex $(t+1)F$ -free r -graph \mathcal{H} with degree at least $\Omega(n^{r-1})$. We will show that a significant proportion of vertices in L possess near-maximum degree. Consequently, leveraging Lemma 5.2, we can infer that the size of L is less than $s_1(t+1)$. Subsequently, we show that the induced subgraph $\mathcal{H} - L$ cannot contain many vertex-disjoint copies of F . By employing the size constraint provided by Lemma 2.13 on $\mathcal{H} - L$, we derive the desired upper bound on $|\mathcal{H}|$.

Proof of Theorem 1.11. Fix integers $r \geq 2$, $s_r \geq \dots \geq s_1 \geq 2$, and an r -partite r -graph $B_{s_1, \dots, s_r}^r =: \mathbb{B}$ with part sizes s_1, \dots, s_r . Let

$$s := \sum_{i \in [r]} s_i, \quad \delta_1 := \frac{1}{16es_1s}, \quad \delta_2 := \frac{1}{2es}, \quad \text{and} \quad \varepsilon := \frac{\delta_1}{32s^2r!}.$$

Let n be sufficiently large and t be an integer satisfying

$$\frac{20}{\delta_1} \left(\frac{\text{ex}(n, \mathbb{B})}{\binom{n-1}{r-1}} + \frac{20sr!}{\delta_1} \right) \leq t \leq \varepsilon n. \quad (18)$$

Let \mathcal{H} be a maximum n -vertex $(t+1)\mathbb{B}$ -free r -graph with vertex V . Let

$$L_1 := \left\{ v \in V : d_{\mathcal{H}}(v) \geq (1 - \delta_1) \binom{n-1}{r-1} \right\}, \quad L_2 := \left\{ v \in V \setminus L_1 : d_{\mathcal{H}}(v) \geq \delta_2 \binom{n-1}{r-1} \right\},$$

and

$$L := L_1 \cup L_2, \quad U := V \setminus L, \quad \ell := |L|, \quad \ell_1 := |L_1|, \quad \ell_2 := |L_2|.$$

In addition, let

$$\mathcal{H}_1 := \mathcal{H} - L_1, \quad \mathcal{H}_2 := \mathcal{H}[U], \quad n_1 := n - \ell_1, \quad \text{and} \quad t_1 := t - \lfloor \ell_1/s_1 \rfloor.$$

Claim 5.6. *We have $\ell_1 < s_1(t+1)$ and \mathcal{H}_1 is $(t_1+1)\mathbb{B}$ -free.*

Proof. First, suppose to the contrary that $\ell_1 \geq s_1(t+1)$. We may assume that $\ell_1 = s_1(t+1)$ since otherwise we can take a subset of L_1 of size $s_1(t+1)$. Let \mathcal{G} be the collection of edges in \mathcal{H} that have exactly one vertex in L_1 . Notice that \mathcal{G} is semibipartite, and for every $v \in L_1$ it follows from the assumptions on t and δ_1 that

$$\begin{aligned} d_{\mathcal{G}}(v) &\geq d_{\mathcal{H}}(v) - |L_1| \binom{n-2}{r-2} \geq (1-\delta_1) \binom{n-1}{r-1} - s_1(t+1) \frac{r-1}{n-1} \binom{n-1}{r-1} \\ &> \left(1 - \frac{1}{16s_1s}\right) \binom{n-1}{r-1}. \end{aligned}$$

Since, in addition, $\left(1 - \frac{s_1}{16s_1s}\right) s_1 \frac{1}{(r-1)(s-s_1)} (n-\ell_1) \geq 2\epsilon s_1 n \geq \ell_1$ (by (18)), it follows from Lemma 5.3 that $(t+1)\mathbb{B} \subset (t+1)K_{s_1, \dots, s_r}^r \subset \mathcal{G}$, a contradiction.

Now suppose to the contrary that there exists a collection $\mathcal{B} = \{\mathbb{B}_1, \dots, \mathbb{B}_{t_1+1}\}$ of t_1+1 pairwise vertex-disjoint copies of \mathbb{B} in \mathcal{H}_1 . Let $B := \bigcup_{i \in [t_1+1]} V(\mathbb{B}_i)$ and $V' := V \setminus B$. Let \mathcal{G}_1 be the collection of edges in $\mathcal{H}[V']$ that contain exactly one vertex in L_1 . Similar to the argument above, we have

$$\begin{aligned} d_{\mathcal{G}_1}(v) &\geq d_{\mathcal{H}}(v) - |L_1 \cup B_1| \binom{n-2}{r-2} \geq (1-\delta_1) \binom{n-1}{r-1} - 2s(t+1) \frac{r-1}{n-1} \binom{n-1}{r-1} \\ &> \left(1 - \frac{1}{16s_1s}\right) \binom{n-1}{r-1}. \end{aligned}$$

Similarly, it follows from (18) and Lemma 5.3 that $\lfloor \ell_1/s_1 \rfloor \mathbb{B} \subset \mathcal{G}_1$, which together with \mathcal{B} implies that $(t+1)\mathbb{B} \subset \mathcal{H}$, a contradiction. \blacksquare

By Claim 5.6, we obtain

$$n_1 - r = n - \ell_1 - r \geq n - s_1(t+1) - r \geq (1 - 2\epsilon s_1)n.$$

Combined with the definition of L_1 , Facts 2.1, and 2.4, we obtain

$$\begin{aligned} \Delta(\mathcal{H}_1) &\leq (1-\delta_1) \binom{n-1}{r-1} \leq (1-\delta_1) \left(\frac{n}{n_1-r}\right)^{r-1} \binom{n_1-1}{r-1} \\ &\leq (1-\delta_1) (1+8\epsilon r s_1) \binom{n_1-1}{r-1} \\ &\leq (1-\delta_1) \left(1 + \frac{\delta_1}{4}\right) \binom{n_1-1}{r-1} \leq \left(1 - \frac{\delta_1}{2}\right) \binom{n_1-1}{r-1}. \end{aligned}$$

Let

$$\theta := \frac{5}{\delta_1 s_1/2} \left(\frac{\text{ex}(n_1, \mathbb{B})}{\binom{n_1-1}{r-1}} + \frac{18sr!}{\delta_1/2} \right) \leq \frac{10}{\delta_1 s_1} \left(\frac{2\text{ex}(n, \mathbb{B})}{\binom{n-1}{r-1}} + \frac{36sr!}{\delta_1} \right) \leq \frac{t-s+1}{s_1}.$$

If $t_1 \geq \theta$, then it follows from $t_1 \leq t \leq \frac{\delta_1 n}{32s^2 r!} \leq \frac{\delta_1 n_1/2}{9s^2 r!}$ and Lemma 5.4 that

$$|\mathcal{H}_1| \leq \binom{n_1}{r} - \binom{n_1 - s_1(t_1 - 1)}{r} = \binom{n - \ell_1}{r} - \binom{n - s_1 t}{r}.$$

Consequently,

$$|\mathcal{H}| \leq \binom{n}{r} - \binom{n - \ell_1}{r} + |\mathcal{H}_1| \leq \binom{n}{r} - \binom{n - s_1 t}{r},$$

and we are done. So we may assume that $t_1 \leq \theta$, which implies that

$$\ell_1 \geq s_1(t - \theta) \geq s_1 \left(t - \frac{t - s_1 + 1}{s_1} \right) = \frac{s_1 - 1}{s_1} s_1(t + 1). \quad (19)$$

Let

$$t_2 := t - \lfloor \ell/s_1 \rfloor \leq t_1 \leq \theta.$$

Claim 5.7. *We have $\ell_1 + \ell_2 \leq s_1(t + 1) - 1$, and $\mathcal{H}[U]$ is $(t_2 + 1)\mathbb{B}$ -free.*

Proof. The proof is similar to that of Claim 5.6. Suppose to the contrary that Claim 5.7 is not true. If $\ell < s_1(t + 1)$, then let $\mathcal{B}' := \{\mathbb{B}'_1, \dots, \mathbb{B}'_{t_2+1}\}$ be a collection of pairwise vertex-disjoint copies of \mathbb{B} in $\mathcal{H}[U]$ and let $B' := \bigcup_{i \in [t_2+1]} V(\mathbb{B}'_i)$. If $\ell \geq s_1(t + 1)$, then by removing vertices in L_2 , we may assume that $\ell = s_1(t + 1)$. In addition, we set $B' := \emptyset$ in this case. Let \mathcal{G}_2 be the collection of all edges in $\mathcal{H}[V \setminus B']$ that contain exactly one vertex in L (recall that $L = L_1 \cup L_2$). To build a contradiction, it suffices to show that $\lfloor \ell/s_1 \rfloor \mathbb{B} \subset \mathcal{G}_2$. Indeed, observe that for every $v \in L_1$, we have

$$\begin{aligned} d_{\mathcal{G}_2}(v) &\geq d_{\mathcal{H}}(v) - |L \cup B'| \binom{n-2}{r-2} \\ &\geq (1 - \delta_1) \binom{n-1}{r-1} - 2s(t+1) \frac{r-1}{n-1} \binom{n-1}{r-1} \geq \binom{n-1}{r-1} - \frac{\delta_2 n^{r-1}}{4s_1}, \end{aligned}$$

and for every $u \in L_2$, we have

$$\begin{aligned} d_{\mathcal{G}_2}(u) &\geq d_{\mathcal{H}}(u) - |L \cup B'| \binom{n-2}{r-2} \\ &\geq \delta_2 \binom{n-1}{r-1} - 2s(t+1) \frac{r-1}{n-1} \binom{n-1}{r-1} \geq \frac{\delta_2 n^{r-1}}{2}. \end{aligned}$$

Since, in addition, $\ell \leq 2s_1 t \leq 2\epsilon s_1 n \leq \frac{1}{2} \frac{\delta_2 n/2}{8(s-s_1)} \leq \frac{\delta_2(n-|B'|)/2}{8(s-s_1)}$, it follows from (19) and Lemma 5.2 that $\lfloor \ell/s_1 \rfloor \mathbb{B} \subset \mathcal{G}_2$, a contradiction. \blacksquare

Since $\mathcal{H}[U]$ is $(t_2 + 1)\mathbb{B}$ -free and $\Delta(\mathcal{H}[U]) \leq \delta_2 \binom{n-1}{r-1} \leq \frac{1}{2s} \binom{n-\ell-1}{r-1}$ (by Fact 2.3), it follows from Lemma 2.13 and simple calculations that

$$\begin{aligned} |\mathcal{H}[U]| &\leq st_2 \times \frac{1}{2s} \binom{n-\ell-1}{r-1} + \text{ex}(n-\ell-st_2, \mathbb{B}) \\ &\leq \binom{n-\ell}{r} - \binom{n-s_1(t+1)+1}{r-1} + \text{ex}(n-s_1(t+1)+1, \mathbb{B}). \end{aligned} \quad (20)$$

It follows that

$$\begin{aligned} |\mathcal{H}| &\leq \binom{n}{r} - \binom{n-\ell}{r} + |\mathcal{H}[U]| \\ &\leq \binom{n}{r} - \binom{n-\ell}{r} + \binom{n-\ell}{r} - \binom{n-s_1(t+1)+1}{r-1} + \text{ex}(n-s_1(t+1)+1, \mathbb{B}) \\ &= \binom{n}{r} - \binom{n-s_1(t+1)+1}{r} + \text{ex}(n-s_1(t+1)+1, \mathbb{B}), \end{aligned}$$

completing the proof of Theorem 1.11. \blacksquare

5.3 Graphs: proof of Theorem 1.12

In this subsection, we establish the validity of Theorem 1.12. This proof is a continuation of the argument in the previous subsection. In order to achieve the precise result we desired, a more detailed analysis of the underlying structures is necessary.

Given a family \mathcal{F} of r -graphs and an integer $t \geq 0$ let

$$(t+1)\mathcal{F} := \{F_1 \sqcup \cdots \sqcup F_{t+1} : F_i \in \mathcal{F} \text{ for all } i \in [t+1]\}.$$

We will need the following result which follows essentially from the same proof for Theorem 1.7.

Proposition 5.8. *Let $s_2 \geq s_1 \geq 2$ be integers and $\mathbb{B} := B_{s_1, s_2}$ be an s_1 by s_2 bipartite graph. Let $\mathbb{B}' := \mathbb{B}[s_2 + 1]$. Suppose that $t \leq \frac{n}{2e(s_2+1)}$. Then*

$$\text{ex}(n, (t+1)\mathbb{B}') \leq \text{ex}(n, \mathbb{B}' \sqcup tK_{1, s_2}) \leq \binom{n}{2} - \binom{n-t}{2} + \text{ex}(n-t, (t+1)\mathbb{B}').$$

Proof of Theorem 1.12. Fix integers $s_2 \geq s_1 \geq 2$ and fix an s_1 by s_2 bipartite connected graph $B_{s_1, s_2} =: \mathbb{B}$. Let $s := s_1 + s_2$, $\hat{t} := s_1(t+1) - 1$,

$$\delta_1 := \frac{1}{16es_1s}, \quad \delta_2 := \frac{1}{2es}, \quad \varepsilon := \frac{\delta_1}{64s^2}, \quad \text{and} \quad \theta := \frac{20}{\delta_1 s_1} \left(\frac{\text{ex}(n, \mathbb{B})}{n-1} + \frac{18sr!}{\delta_1} \right).$$

Let n be sufficiently large and t be an integer satisfying

$$\max \left\{ \sqrt{32s_1sn}, \frac{20s^2\theta}{\delta_3 s_1} \right\} \leq t \leq \varepsilon n. \quad (21)$$

Let G be a maximum n -vertex $(t+1)\mathbb{B}$ -free graph on V . Let $L_1, L_2, L, U, \ell_1, \ell_2, \ell, n_1, t_1, t_2$ be the same as defined in the proof of Theorem 1.11 (with $r = 2$). All conclusions in the previous subsection still hold for G . To summarize, we have

- $s_1(t - \theta) \leq \ell_1 \leq \ell \leq s_1(t+1) - 1$,
- $t_2 := t - \lfloor \ell/s_1 \rfloor \leq t_1 := t - \lfloor \ell_1/s_1 \rfloor \leq \theta$,
- $\Delta := \Delta(G[U]) \leq \delta_2(n-1)$,
- $G[U]$ is $(t_2+1)\mathbb{B}$ -free, and hence,

$$|G[U]| \leq st_2 \times \delta_2(n-1) + \text{ex}(n - \ell - st_2, \mathbb{B}) \leq \frac{\theta n}{2} + \text{ex}(n, \mathbb{B}) \leq \theta n. \quad (22)$$

We divide U further by letting

$$\delta_3 := \frac{1}{2(s_2+1)}, \quad S := \{u \in U : |N_G(u) \cap L| \leq (1 - \delta_3)|L|\} \quad \text{and} \quad W := U \setminus S.$$

In particular, since $G[S] \subset G[U]$ is $(t_2+1)\mathbb{B}$ -free, it follows from Lemma 2.13 that

$$|G[S]| \leq st_2|S| + \text{ex}(|S|, \mathbb{B}) \leq s\theta|S| + \text{ex}(|S|, \mathbb{B}). \quad (23)$$

It follows from the definition of S that

$$|G[L, U]| \leq |W||L| + |S| \times (1 - \delta_3)|L| = \ell(n - \ell) - \delta_3\ell|S|. \quad (24)$$

It follows from (22) and (24) that

$$|G| = |G[L]| + |G[L, U]| + |G[U]| \leq \binom{\ell}{2} + \ell(n - \ell) - \delta_3 \ell |S| + \theta n.$$

Combined with $|G| \geq g_2(n, t, \mathbb{B}) \geq \binom{n}{2} - \binom{n-s_1(t+1)+1}{2} \geq \binom{\ell}{2} + \ell(n - \ell)$, we obtain

$$|S| \leq \frac{\theta n}{s_1(t - \theta)} < \frac{n}{2}.$$

which combined with Proposition 2.8 implies that

$$\frac{\text{ex}(n, \mathbb{B})}{n} \geq \left(1 - \frac{|S|}{n}\right) \frac{\text{ex}(|S|, \mathbb{B})}{|S|} \geq \frac{1}{2} \frac{\text{ex}(|S|, \mathbb{B})}{|S|}.$$

Consequently, by (21), we obtain

$$\frac{\delta_3 \ell}{2} |S| - \text{ex}(|S|, \mathbb{B}) \geq \left(\frac{\delta_3}{2} \times s_1(t - \theta) - 2 \frac{\text{ex}(n, \mathbb{B})}{n} \right) |S| \geq 0. \quad (25)$$

In addition,

$$\frac{\delta_3 \ell}{2} - s\theta - 4s^2\theta \geq \frac{\delta_3}{2} \times s_1(t - \theta) - s\theta - 4s^2\theta > 0. \quad (26)$$

Let

$$t_3 := s_1(t + 1) - 1 - \ell, \quad S_1 := \{v \in S : |N_G(v) \cap W| \geq 4s^2\theta\}, \quad \text{and} \quad x := |S_1|.$$

It follows from (23), (25), (26) and definition of S_1 that

$$\begin{aligned} |G[S]| + |G[L, S]| + |G[S, W]| &\leq s\theta |S| + \text{ex}(|S|, \mathbb{B}) + (1 - \delta_3)\ell |S| + x\Delta + 4s^2\theta |S| \\ &\leq \ell |S| - (\delta_3 \ell - s\theta - 4s^2\theta) |S| + \text{ex}(|S|, \mathbb{B}) + \frac{xn}{2} \\ &\leq \ell |S| + \frac{xn}{2} - \frac{\delta_3 \ell}{2} |S| + \text{ex}(|S|, \mathbb{B}) \leq \ell |S| + \frac{xn}{2}. \end{aligned}$$

Consequently,

$$\begin{aligned} |G[L, U]| + |G[S]| + |G[S, W]| &= |G[L, W]| + |G[S]| + |G[L, S]| + |G[L, W]| \\ &\leq \ell |W| + \ell |S| + \frac{xn}{2} = \ell(n - \ell) + \frac{xn}{2}. \end{aligned} \quad (27)$$

For every set $T \subset U$ let $N_T := \bigcap_{u \in T} N_G(u) \cap L$ denote the set of common neighbors of T in L . It follows from the definition of W that for every $(s_2 + 1)$ -set $T \subset U$ we have

$$|N_T| \geq \ell - \sum_{u \in T} (\ell - |N_G(u) \cap L|) \geq (1 - \delta_3(s_2 + 1)) \ell = \frac{\ell}{2}. \quad (28)$$

Let $\mathbb{B}' := \mathbb{B}_{[s_2 + 1]}$ and note that every \mathbb{B}' -free is also K_{1, s_2} -free.

Claim 5.9. *We have $x \leq t_3$ and $G[W]$ is $(t_3 - x + 1)K_{1, s_2}$ -free. Moreover,*

$$|G[W]| \leq \frac{t_3 - x}{2} n + \frac{s_2}{2} n. \quad (29)$$

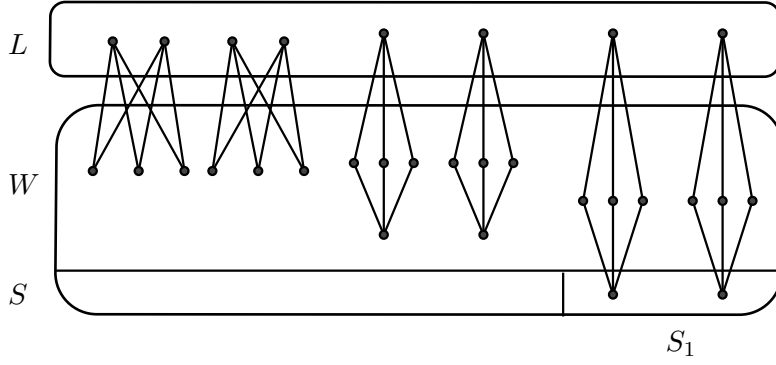


Figure 4: Supplementary diagram for Claim 5.9 when $F = K_{2,3}$.

Proof. Suppose to the contrary that there exists a $(t_3 + 1)$ -set $\{v_1, \dots, v_{t_3+1}\} \subset S_1$ such that $|N_G(v_i) \cap W| \geq 4s^2\theta \geq 2s(t_3 + 1)$ for all $i \in [t_3 + 1]$. Choose an s_2 -set X_i from $N_G(v_i) \cap W$ for each $i \in [t_3 + 1]$ such that $\{X_1, \dots, X_{t_3+1}\}$ are pairwise disjoint. For each N_i choose an $(s_1 - 1)$ -set $Y_i \subset N_{X_i}$ such that $\{Y_1, \dots, Y_{t_3+1}\}$ are pairwise disjoint (the existence of such sets are guaranteed by (28)). Notice that $B \subset K_{s_1, s_2} \subset G[\{v_i\} \cup X_i \cup Y_i]$ for $i \in [t_3 + 1]$. Let $Z := \bigcup_{i \in [t_3+1]} (\{v_i\} \cup X_i \cup Y_i)$ and G' be the induced subgraph of G on $V \setminus Z$. For every $v \in L_1 \setminus Z$ we have

$$d_{G'}(v) \geq d_G(v) - |Z| \geq (1 - \delta_1)(n - 1) - s(t_3 + 1) \geq (1 - 2\delta_1)(n - 1),$$

and for every $u \in L_2 \setminus Z$ we have

$$d_{G'}(v) \geq d_G(v) - |Z| \geq \delta_2(n - 1) - s(t_3 + 1) \geq \frac{\delta_2}{2}(n - 1).$$

Since, in addition, $\ell \leq s_1(t + 1) \leq 2\varepsilon s_1 n \leq \frac{\delta_2(n - \ell - |Z|)/2}{8(s - s_1)}$, it follows from Lemma 5.2 that G' contains at least

$$\left\lfloor \frac{\ell - (s_1 - 1)t_3}{s_1} \right\rfloor = \ell - (s_1 - 1)(t + 1)$$

pairwise vertex-disjoint copies of \mathbb{B} . This implies that G contains

$$t_3 + 1 + \ell - (s_1 - 1)(t + 1) = s_1(t + 1) - 1 - \ell + 1 + \ell - (s_1 - 1)(t + 1) = t + 1$$

pairwise vertex-disjoint copies of \mathbb{B} , a contradiction. This proves that $x \leq t_3$. The proof for the $(t_3 - x + 1)K_{1, s_2}$ -freeness of $G[W]$ is similar (see Figure 4), so we omit the details.

Recall that $\Delta(G[W]) \leq \Delta(G[U]) \leq \delta_3 n$, so it follows from Lemma 2.13 and $(t_3 - x + 1)K_{1, s_2}$ -freeness of $G[W]$ that

$$|G[W]| \leq (t_3 - x)(s_2 + 1) \times \delta_3 n + \text{ex}(n, K_{1, s_2}) \leq \frac{t_3 - x}{2}n + \frac{s_2}{2}n,$$

where in the last inequality, we used the trivial bound $\text{ex}(n, K_{1, s_2}) \leq \frac{s_2}{2}n$. \blacksquare

It follows from (23), (27), and (29) that

$$\begin{aligned} |G| &= |G[L]| + |G[L, U]| + |G[S]| + |G[S, W]| + |G[W]| \\ &\leq \binom{\ell}{2} - |\overline{G[L]}| + \ell(n - \ell) + \frac{xn}{2} + \frac{t_3 - x}{2}n + \frac{s_2}{2}n \\ &\leq \binom{n}{2} - \binom{n - s_1(t + 1) + 1}{2} - t_3 \times \frac{2n}{3} + \frac{t_3}{2}n + \frac{s_2}{2}n - |\overline{G[L]}| \\ &\leq \binom{n}{2} - \binom{n - s_1(t + 1) + 1}{2} + \frac{s_2}{2}n - \frac{t_3 n}{6} - |\overline{G[L]}|. \end{aligned} \quad (30)$$

Since $|G| \geq \binom{n}{2} - \binom{n-s_1(t+1)-1}{2}$, it follows from the inequality above that

$$t_3 \leq 3s_2, \quad (31)$$

and

$$|\overline{G[L]}| \leq \frac{s_2}{2}n, \quad (32)$$

Claim 5.10. *The following statements hold.*

- (i) *Every set $L' \subset L$ of size at least $\sqrt{2s_1sn}$ contains a copy of K_{s_1-1} ,*
- (ii) *for every $T \in \binom{W}{s_2+1}$, the induced graph $G[N_T]$ contains st_3 pairwise vertex-disjoint copies of K_{s_1-1} , and*
- (iii) *$G[W]$ is $(t_3 - x + 1)\mathbb{B}'$ -free.*

Proof. Suppose to the contrary that there exists a set $L' \subset L$ of size $\sqrt{2s_1sn}$ such that $G[L']$ is K_{s_1-1} -free. Then it follows from Turán's theorem that $|G[L']| \leq \left(\frac{1}{2} - \frac{1}{2(s_1-1)}\right) |L'|^2$, and consequently,

$$|\overline{G[L]}| \geq |\overline{G[L']}| \geq \binom{|L'|}{2} - \left(\frac{1}{2} - \frac{1}{2(s_1-1)}\right) |L'|^2 \geq \frac{|L'|^2}{4(s_1-1)} > \frac{s_2n}{2},$$

contradicting (32). This proves (i).

Let $T \in \binom{W}{s_2+1}$. By (28), (31), and the assumption on t , we have

$$|N_T| \geq \frac{\ell}{2} \geq \frac{s_1(t-\theta)}{2} \geq \frac{t}{2} \geq \frac{\sqrt{32s_1sn}}{2} \geq \sqrt{2s_1sn} + (s_1-1)st_3.$$

It follows from (i) and a simple greedy argument that $G[N_T]$ contains st_3 pairwise vertex-disjoint copies of K_{s_1-1} .

Notice that if $T \in \binom{W}{s_2+1}$ contains a copy of some element in \mathbb{B}' , then by (i), there are disjoint (s_1-1) -sets T'_1, \dots, T'_{st_3} in N_T such that $T \cup T'_i$ contains a copy of \mathbb{B} for all $i \in [st_3]$. Using this fact and a similar argument as in the proof of Claim 5.9 we obtain (iii). \blacksquare

Similar to (30), it follows from (27), Claim 5.10 (iii), Proposition 5.8, and Fact 2.14 that

$$\begin{aligned} |G| &\leq \binom{\ell}{2} + \ell(n-\ell) + \frac{xn}{2} + \text{ex}(n-\ell-x, (t_3-x+1)\mathbb{B}') \\ &\leq \binom{n}{2} - \binom{n-(\ell+x)}{2} + \text{ex}(n-\ell-x, (t_3-x+1)\mathbb{B}') \\ &\leq \binom{n}{2} - \binom{n-(\ell+x+t_3-x)}{2} + \text{ex}(n-\ell-x-(t_3-x), \mathbb{B}') \\ &= \binom{n}{2} - \binom{n-s_1(t+1)+1}{2} + \text{ex}(n-s_1(t+1)+1, \mathbb{B}'), \end{aligned}$$

completing the proof of Theorem 1.12. \blacksquare

6 Concluding remarks

Fix an r -graph F on m vertices. We say a collection $\{\mathcal{H}_1, \dots, \mathcal{H}_{t+1}\}$ of r -graphs on the same vertex set V has a **rainbow F -matching** if there exists a collection $\{S_i: i \in [t+1]\}$ of pairwise disjoint m -subsets of V such that $F \subset \mathcal{H}_i[S_i]$ for all $i \in [t+1]$. Recently, there has been considerable interest in extending some classical results to a rainbow version. See e.g. [1, 26, 32, 37, 47, 48] for some recent progress on the rainbow version of the Erdős Matching Conjecture. Rainbow versions of theorems in the present work can be obtained without too change to the corresponding proof. We omit the details and refer the reader to [31, Theorem 1.8] for more information.

Given (not necessary different) r -graphs F_1, \dots, F_{t+1} , let $\text{ex}\left(n, \bigsqcup_{i \in [t+1]} F_i\right)$ denote the maximum number of edges in an n -vertex r -graph without pairwise vertex-disjoint copies of F_1, \dots, F_t , and F_{t+1} . One could also use proofs in the present work (with minor changes) to obtain some upper bounds for $\text{ex}\left(n, \bigsqcup_{i \in [t+1]} F_i\right)$. We refer the reader to [31, Theorem 6.1] for more information.

Determining $\text{ex}(n, (t+1)F)$ for all feasible values of t seems to be a challenging problem for general r -graphs F . We tend to believe that for $F = K_{s, \dots, s}^r$, $s \geq 2$, the asymptotic behavior of $\text{ex}(n, (t+1)F)$ is governed by the three constructions $\mathcal{G}_1(n, t, F)$, $\mathcal{G}_2(n, t, F)$, and $\mathcal{G}_3(n, t, F)$ defined in the first section. However, for general r -graphs F , there might be other extremal constructions. Indeed, recall that for $i \in [r-1]$, a set $S \subset V(F)$ is **i -independent** in F if every edge in F contains at most i vertices in S . Let the **i -independent vertex covering number** $\tau_i(F)$ (if it exists) of F be

$$\tau_i(F) := \min \{|S|: S \subset V(\mathcal{H}), S \text{ is } i\text{-independent, and } |S \cap e| \neq \emptyset \text{ for all } e \in \mathcal{H}\}.$$

Observe that for $1 \leq i < j \leq r-1$, if $\tau_i(F)$ and $\tau_j(F)$ exist, then $\tau \leq \tau_j(F) \leq \tau_i(F)$. For $i \in [r]$ let

$$\mathcal{B}(n, m, r, i) := \left\{ e \in \binom{[n]}{r} : 1 \leq |e \cap [m]| \leq i \right\}.$$

It is easy to see that $\mathcal{B}(n, (t+1)\tau_i(F) - 1, r, i)$ is $(t+1)F$ -free. Therefore, we have the following lower bound.

Fact 6.1. *Let F be an r -graph and suppose that $\tau_i(F)$ exists for some $i \in [r-1]$. Then*

$$\text{ex}(n, (t+1)F) \geq \sum_{j \in [i]} \binom{(t+1)\tau_i(F) - 1}{j} \binom{n - (t+1)\tau_i(F) + 1}{r-j}.$$

We hope the following natural problem could inspire further research on this topic.

Problem 6.2. *Determine $\text{ex}(n, (t+1)C_4)$ for large n and for all $t \leq n/4$.*

We would like to remind the reader that constructions in $\mathcal{G}_3(n, t, C_4)$ are not maximal. Indeed, for a member $G \in \mathcal{G}_3(n, t, C_4)$, let $V_1 \cup V_2$ be the partition of $V(G)$ such that $G[V_1] \cong K_{2t+1}$ and $G[V_2]$ is maximum C_4 -free. Let \hat{G} be a graph obtained from G by adding a matching M crossing V_1 and V_2 such that the set $V(M) \cap V_2$ is an independent set in $G[V_2]$. It is easy to see that \hat{G} is still $(t+1)C_4$ -free. The orthogonal polarity graphs show that the size of M can have order $(n-2t-1)^{3/4}$ for some special values of $n-2t-1$ (see e.g. [5, 11, 12, 21, 22, 54]). This construction shows that determining the exact value of $\text{ex}(n, (t+1)C_4)$ when t is close to $n/4$ is probably challenging.

Problem 6.3. Let $n \geq \alpha \geq 1$ be integers. What is the maximum number of edges in an n -vertex C_4 -free graph with independence number at least α ?

It would be interesting to know whether the lower bound $\sqrt{32s_2sn}$ for t in Theorem 1.12 is necessary in general. We will show that this lower bound is not necessary for a special class of bipartite graphs including even cycles in [29].

Problem 6.4. Characterize the family of bipartite graphs B_{s_1, s_2} for which the lower bound $\sqrt{32s_2(s_1 + s_2)n}$ for t in Theorem 1.12 can be omitted.

In order to refine the bound presented in Theorem 1.11, it appears essential to address the following problem first.

Problem 6.5. Let $n \geq r \geq 3$, $s_r \geq \dots \geq s_1 \geq 2$, and $m \leq \binom{n-1}{r-1}$ be integers. What is the maximum number of edges in an n -vertex K_{s_1, \dots, s_r}^r -free r -graph \mathcal{H} with an $(s_1 - 1)$ -set $L \subset V(\mathcal{H})$ such that $d_{\mathcal{H}}(v) \geq \binom{n-1}{r-1} - m$ for all $v \in L$?

Recall that the **shadow** of an r -graph \mathcal{H} is

$$\partial\mathcal{H} := \left\{ A \in \binom{V(\mathcal{H})}{r-1} : A \subset E \text{ for some } E \in \mathcal{H} \right\}.$$

The classical Kruskal-Katone Theorem [33, 40] determines the maximum size of an r -graph with bounded shadow size. It seems that Problem 6.5 is related to the following Kruskal-Katone type problem.

Problem 6.6. Let $r \geq 3$ and F be a degenerate r -graph. Let $m \leq \binom{n}{r-1}$ be an integer. What is the maximum number of edges in an n -vertex F -free r -graph \mathcal{H} with $|\partial\mathcal{H}| \leq m$?

An analogous problem for nondegenerate r -graphs was studied systematically in [44] (see also [42, 46]).

Theorem 1.7 motivates the following analogous problem to [31, Problem 6.4].

Problem 6.7. Let $r \geq 2$ be an integers and F be a degenerate r -graph. What is the largest value of $s(F)$ such that for sufficiently large n ,

$$\text{ex}(n, (t+1)F) = g_1(n, t, F) \quad \text{holds for all } t \leq (s(F) - o(1)) \frac{\text{ex}(n, F)}{\binom{n-1}{r-1}}?$$

Theorem 1.7 also motivates the following question for nondegenerate hypergraphs.

Problem 6.8. Let $r \geq 4$ be an integer. Find sufficient and/or necessary conditions for a nondegenerate r -graph F to satisfy $\pi(F) < \frac{1}{v(F)}$.

By Erdős' theorem [8], every nondegenerate r -graph F satisfies the lower bound $\pi(F) \geq \frac{r!}{r^r}$. This, together with straightforward calculations and constructions of K_4^{3-} -free 3-graphs (see e.g. [53]), shows that there is no nondegenerate r -graph F with $\pi(F) < \frac{1}{v(F)}$ when $r \leq 3$.

Acknowledgement

XL would like to thank Jie Han for helpful discussions on related topics and for reminding him about the references [25, 28].

References

- [1] R. Aharoni and D. Howard. Size conditions for the existence of rainbow matchings. <http://math.colgate.edu/~dmhoward/rsc.pdf>, accessed on 2023-02-02. 31
- [2] P. Allen, J. Böttcher, J. Hladký, and D. Piguet. A density Corrádi-Hajnal theorem. *Canad. J. Math.*, 67(4):721–758, 2015. 3, 4
- [3] N. Alon and R. Yuster. H -factors in dense graphs. *J. Combin. Theory Ser. B*, 66(2):269–282, 1996. 2, 9
- [4] B. Bollobás. Three-graphs without two triples whose symmetric difference is contained in a third. *Discrete Math.*, 8:21–24, 1974. 6
- [5] W. G. Brown. On graphs that do not contain a Thomsen graph. *Canad. Math. Bull.*, 9:281–285, 1966. 7, 31
- [6] K. Corrádi and A. Hajnal. On the maximal number of independent circuits in a graph. *Acta Math. Acad. Sci. Hungar.*, 14:423–439, 1963. 2
- [7] P. Erdős. Über ein Extremalproblem in der Graphentheorie. *Arch. Math. (Basel)*, 13:222–227, 1962. 3
- [8] P. Erdős. On extremal problems of graphs and generalized graphs. *Israel J. Math.*, 2:183–190, 1964. 3, 8, 10, 11, 32, 36
- [9] P. Erdős. A problem on independent r -tuples. *Ann. Univ. Sci. Budapest. Eötvös Sect. Math.*, 8:93–95, 1965. 2
- [10] P. Erdős and T. Gallai. On maximal paths and circuits of graphs. *Acta Math. Acad. Sci. Hungar.*, 10:337–356 (unbound insert), 1959. 2
- [11] P. Erdős and A. Rényi. On a problem in the theory of graphs. *Magyar Tud. Akad. Mat. Kutató Int. Közl.*, 7:623–641, 1962. 31
- [12] P. Erdős, A. Rényi, and V. T. Sós. On a problem of graph theory. *Studia Sci. Math. Hungar.*, 1:215–235, 1966. 7, 31
- [13] P. Erdős and M. Simonovits. A limit theorem in graph theory. *Studia Sci. Math. Hungar.*, 1:51–57, 1966. 3
- [14] P. Erdős and A. H. Stone. On the structure of linear graphs. *Bull. Amer. Math. Soc.*, 52:1087–1091, 1946. 3
- [15] P. Frankl. Improved bounds for Erdős’ matching conjecture. *J. Combin. Theory Ser. A*, 120(5):1068–1072, 2013. 2
- [16] P. Frankl. On the maximum number of edges in a hypergraph with given matching number. *Discrete Appl. Math.*, 216(part 3):562–581, 2017. 2
- [17] P. Frankl. Proof of the Erdős matching conjecture in a new range. *Israel J. Math.*, 222(1):421–430, 2017. 2
- [18] P. Frankl and Z. Füredi. A new generalization of the Erdős-Ko-Rado theorem. *Combinatorica*, 3(3-4):341–349, 1983. 6
- [19] P. Frankl and Z. Füredi. An exact result for 3-graphs. *Discrete Math.*, 50(2-3):323–328, 1984. 6

- [20] P. Frankl and Z. Füredi. Extremal problems whose solutions are the blowups of the small Witt-designs. *J. Combin. Theory Ser. A*, 52(1):129–147, 1989. 6
- [21] Z. Füredi. Graphs without quadrilaterals. *J. Combin. Theory Ser. B*, 34(2):187–190, 1983. 7, 31
- [22] Z. Füredi. Quadrilateral-free graphs with maximum number of edges. *preprint*, 1994. 7, 31
- [23] Z. Füredi. On the number of edges of quadrilateral-free graphs. *J. Combin. Theory Ser. B*, 68(1):1–6, 1996. 7
- [24] Z. Füredi and M. Simonovits. The history of degenerate (bipartite) extremal graph problems. In *Erdős centennial*, volume 25 of *Bolyai Soc. Math. Stud.*, pages 169–264. János Bolyai Math. Soc., Budapest, 2013. 3
- [25] L. Gan, J. Han, L. Sun, and G. Wang. Large $Y_{k,b}$ -tilings and Hamilton ℓ -cycles in k -uniform hypergraphs. *arXiv preprint arXiv:2109.00722*, 2021. 6, 32
- [26] J. Gao, H. Lu, J. Ma, and X. Yu. On the rainbow matching conjecture for 3-uniform hypergraphs. *Sci. China Math.*, 65(11):2423–2440, 2022. 31
- [27] A. Hajnal and E. Szemerédi. Proof of a conjecture of P. Erdős. In *Combinatorial theory and its applications, I-III (Proc. Colloq., Balatonfüred, 1969)*, pages 601–623. North-Holland, Amsterdam, 1970. 2
- [28] J. Han, L. Sun, and G. Wang. Large $Y_{3,2}$ -tilings in 3-uniform hypergraphs. *arXiv preprint arXiv:2304.02432*, 2023. 6, 32
- [29] J. Hou, C. Hu, H. Li, X. Liu, C. Yang, and Y. Zhang. Many vertex-disjoint even cycles of fixed length in a graph. In preparation. 32
- [30] J. Hou, C. Hu, H. Li, X. Liu, C. Yang, and Y. Zhang. On the boundedness of some degenerate hypergraphs. In preparation. 5
- [31] J. Hou, H. Li, X. Liu, L.-T. Yuan, and Y. Zhang. A step towards a general density Corrádi–Hajnal theorem. *arXiv preprint arXiv:2302.09849*, 2023. 1, 4, 5, 6, 9, 31, 32
- [32] H. Huang, P.-S. Loh, and B. Sudakov. The size of a hypergraph and its matching number. *Combin. Probab. Comput.*, 21(3):442–450, 2012. 2, 31
- [33] G. Katona. A theorem of finite sets. In *Theory of graphs (Proc. Colloq., Tihany, 1966)*, pages 187–207, 1968. 32
- [34] G. Katona, T. Nemetz, and M. Simonovits. On a problem of Turán in the theory of graphs. *Mat. Lapok*, 15:228–238, 1964. 3
- [35] P. Keevash. Hypergraph Turán problems. In *Surveys in combinatorics 2011*, volume 392 of *London Math. Soc. Lecture Note Ser.*, pages 83–139. Cambridge Univ. Press, Cambridge, 2011. 3
- [36] P. Keevash and D. Mubayi. Stability theorems for cancellative hypergraphs. *J. Combin. Theory Ser. B*, 92(1):163–175, 2004. 6
- [37] S. Kiselev and A. Kupavskii. Rainbow matchings in k -partite hypergraphs. *Bull. Lond. Math. Soc.*, 53(2):360–369, 2021. 31

- [38] J. Komlós, G. N. Sárközy, and E. Szemerédi. Proof of the Alon-Yuster conjecture. volume 235, pages 255–269. 2001. *Combinatorics (Prague, 1998)*. 2
- [39] T. Kövari, V. T. Sós, and P. Turán. On a problem of K. Zarankiewicz. *Colloq. Math.*, 3:50–57, 1954. 9
- [40] J. B. Kruskal. The number of simplices in a complex. In *Mathematical optimization techniques*, pages 251–278. Univ. of California Press, Berkeley, Calif., 1963. 32
- [41] D. Kühn and D. Osthus. Embedding large subgraphs into dense graphs. In *Surveys in combinatorics 2009*, volume 365 of *London Math. Soc. Lecture Note Ser.*, pages 137–167. Cambridge Univ. Press, Cambridge, 2009. 2
- [42] X. Liu. Cancellative hypergraphs and Steiner triple systems. *arXiv preprint arXiv:1912.11917*, 2019. 32
- [43] X. Liu. New short proofs to some stability theorems. *European J. Combin.*, 96:Paper No. 103350, 8, 2021. 6
- [44] X. Liu and D. Mubayi. The feasible region of hypergraphs. *J. Combin. Theory Ser. B*, 148:23–59, 2021. 32
- [45] X. Liu, D. Mubayi, and C. Reiher. A unified approach to hypergraph stability. *J. Combin. Theory Ser. B*, 158(part 2):36–62, 2023. 6
- [46] X. Liu and S. Mukherjee. Stability theorems for some Kruskal-Katona type results. *European J. Combin.*, 110:Paper No. 103666, 20, 2023. 32
- [47] H. Lu, Y. Wang, and X. Yu. Rainbow perfect matchings for 4-uniform hypergraphs. *SIAM J. Discrete Math.*, 36(3):1645–1662, 2022. 31
- [48] H. Lu, Y. Wang, and X. Yu. A better bound on the size of rainbow matchings. *J. Combin. Theory Ser. A*, 195:Paper No. 105700, 2023. 31
- [49] L. Lu and L. Székely. Using Lovász local lemma in the space of random injections. *Electron. J. Combin.*, 14(1):Research Paper 63, 13, 2007. 2, 11
- [50] W. Mantel. Vraagstuk XXVIII. *Wiskundige Opgaven*, 10(2):60–61, 1907. 6
- [51] J. W. Moon. On independent complete subgraphs in a graph. *Canadian J. Math.*, 20:95–102, 1968. 3
- [52] D. Mubayi. On hypergraphs with every four points spanning at most two triples. *Electron. J. Combin.*, 10:Note 10, 4, 2003. 6
- [53] D. Mubayi, O. Pikhurko, and B. Sudakov. Hypergraph Turán problem: some open questions. In *AIM workshop problem lists, manuscript*, page 166, 2011. 32
- [54] D. Mubayi and J. Williford. On the independence number of the Erdős-Rényi and projective norm graphs and a related hypergraph. *J. Graph Theory*, 56(2):113–127, 2007. 31
- [55] S. Norin and L. Yepremyan. Turán number of generalized triangles. *J. Combin. Theory Ser. A*, 146:312–343, 2017. 6
- [56] O. Pikhurko. An exact Turán result for the generalized triangle. *Combinatorica*, 28(2):187–208, 2008. 6

- [57] J. B. Shearer. A new construction for cancellative families of sets. *Electron. J. Combin.*, 3(1):Research Paper 15, approx. 3, 1996. 6
- [58] A. F. Sidorenko. On the maximal number of edges in a homogeneous hypergraph that does not contain prohibited subgraphs. *Mat. Zametki*, 41(3):433–455, 459, 1987. 6
- [59] M. Simonovits. A method for solving extremal problems in graph theory, stability problems. In *Theory of Graphs (Proc. Colloq., Tihany, 1966)*, pages 279–319. Academic Press, New York, 1968. 3

A Proof of Theorem 2.9

Theorem A.1 (Erdős [8]). *Suppose that $n \geq r \geq 3$ and $s_r \geq \dots \geq s_1 \geq 1$ are integers. Then*

$$\text{ex}(n, K_{s_1, \dots, s_r}^r) \leq \frac{(s_2 + \dots + s_r - r + 1)^{\frac{1}{s_1}}}{r} n^{r - \frac{1}{s_1 \dots s_{r-1}}} + \frac{s_1 - 1}{r} \binom{n}{r-1}.$$

Proof. We prove this theorem by induction on r . The base case $r = 2$ is the Kővári–Sós–Turán Theorem. So we may assume that $r \geq 3$. Let \mathcal{H} be a K_{s_1, \dots, s_r}^r -free r -graph on n vertices. Let X denote the number of copies of $K_{s_1, 1, \dots, 1}^r$ in \mathcal{H} . We use a standard double-counting argument to bound the number of edges in \mathcal{H} . First, it follows from Jensen’s inequality that

$$\begin{aligned} X &= \sum_{T \in \binom{[n]}{r-1}} \binom{|N(T)|}{s_1} \geq \binom{n}{r-1} \binom{r|\mathcal{H}| / \binom{n}{r-1}}{s_1} \\ &\geq \frac{1}{s_1!} \binom{n}{r-1} \left(\frac{r|\mathcal{H}|}{\binom{n}{r-1}} - (s_1 - 1) \right)^{s_1}. \end{aligned} \quad (33)$$

From the other direction, notice that for every $S \in \binom{[n]}{s_1}$, the common link $L(S)$ is $K_{s_2, \dots, s_r}^{r-1}$ -free. It follows from the induction hypothesis that

$$\begin{aligned} |L\mathcal{H}(S)| &\leq \frac{(s_3 + \dots + s_r - r + 2)^{\frac{1}{s_2}}}{r-1} n^{r-1 - \frac{1}{s_2 \dots s_{r-1}}} + \frac{s_2 - 1}{r-1} \binom{n}{r-2} \\ &\leq (s_2 + \dots + s_r - r + 1) n^{r-1 - \frac{1}{s_2 \dots s_{r-1}}}. \end{aligned} \quad (34)$$

It follows that

$$X = \sum_{S \in \binom{[n]}{s_1}} |L(S)| \leq (s_2 + \dots + s_r - r + 1) n^{r-1 - \frac{1}{s_2 \dots s_{r-1}}} \binom{n}{s_1}. \quad (35)$$

Combining (33) and (35), we obtain

$$\begin{aligned} |\mathcal{H}| &\leq \frac{1}{r} \left((s_2 + \dots + s_r - r + 1) n^{r-1 - \frac{1}{s_2 \dots s_{r-1}}} \frac{n^{s_1}}{\binom{n}{r-1}} \right)^{\frac{1}{s_1}} \binom{n}{r-1} + \frac{s_1 - 1}{r} \binom{n}{r-1} \\ &\leq \frac{(s_2 + \dots + s_r - r + 1)^{\frac{1}{s_1}}}{r} n^{r - \frac{1}{s_1 \dots s_{r-1}}} + \frac{s_1 - 1}{r} \binom{n}{r-1}, \end{aligned}$$

completing the induction. ■

B Proof of Proposition 2.11

Proposition B.1. *Suppose that $r \geq 3$, $s_r \geq \dots \geq s_1 \geq 1$, and $m, n \geq 1$ are integers. Then*

$$Z(m, n, s_1, \dots, s_r) \leq \frac{(s_2 + \dots + s_r - r + 1)^{\frac{1}{s_1}}}{r} mn^{r-1-\frac{1}{s_1 \dots s_{r-1}}} + \frac{s_1 - 1}{r} \binom{n}{r-1}.$$

Proof. Let \mathcal{H} be an m by n semibipartite r -graph on V_1 and V_2 with $|V_1| = m$ and $|V_2| = n$. Suppose that \mathcal{H} does not contain a copy of $K_{s_1, \dots, s_r} = K[W_1, \dots, W_r]$ with W_1 contained in V_1 and W_2, \dots, W_r contained in V_2 . We use a standard double-counting argument to bound the size of \mathcal{H} . Let

$$X := \sum_{T \in \binom{V_2}{r-1}} \binom{|N(T)|}{s_1} = \sum_{S \in \binom{V_1}{s_1}} |L(S)|.$$

First, it follows from Jensen's inequality that

$$\begin{aligned} X &\geq \binom{n}{r-1} \left(\frac{\sum_{T \in \binom{V_2}{r-1}} |N(T)|}{\binom{n}{r-1}} \right)^{s_1} \\ &= \binom{n}{r-1} \left(\frac{r|\mathcal{H}|}{\binom{n}{r-1}} \right)^{s_1} \geq \frac{1}{s_1!} \binom{n}{r-1} \left(\frac{r|\mathcal{H}|}{\binom{n}{r-1}} - (s_1 - 1) \right)^{s_1}. \end{aligned} \quad (36)$$

From the other direction, notice that for every $S \in \binom{V_1}{s_1}$, the common link $L_{\mathcal{H}}(S) \subset \binom{V_2}{r-1}$ is $K_{s_2, \dots, s_r}^{r-1}$ -free. So it follows from (34) that

$$|L_{\mathcal{H}}(S)| \leq (s_2 + \dots + s_r - r + 1) n^{r-1-\frac{1}{s_2 \dots s_{r-1}}}.$$

Consequently,

$$\begin{aligned} X &\leq \binom{m}{s_1} \times (s_2 + \dots + s_r - r + 1) n^{r-1-\frac{1}{s_2 \dots s_{r-1}}} \\ &\leq \frac{1}{s_1!} (s_2 + \dots + s_r - r + 1) n^{r-1-\frac{1}{s_2 \dots s_{r-1}}} m^{s_1}. \end{aligned} \quad (37)$$

Combining (36) and (37) we obtain

$$\begin{aligned} |\mathcal{H}| &\leq \frac{1}{r} \left(\frac{(s_2 + \dots + s_r - r + 1) m^{s_1} n^{r-1-\frac{1}{s_2 \dots s_{r-1}}}}{\binom{n}{r-1}} \right)^{\frac{1}{s_1}} \binom{n}{r-1} + \frac{s_1 - 1}{r} \binom{n}{r-1} \\ &\leq \frac{(s_2 + \dots + s_r - r + 1)^{\frac{1}{s_1}}}{r} mn^{r-1-\frac{1}{s_1 \dots s_{r-1}}} + \frac{s_1 - 1}{r} \binom{n}{r-1}, \end{aligned}$$

completing the proof of Proposition 2.11. ■