

# Region of Interest (ROI) based adaptive cross-layer system for real-time video streaming over Vehicular Ad-hoc NETWORKS (VANETs)

Mohamed Aymen Labiod, Mohamed Gharbi, François-Xavier Coudoux, Senior Member, IEEE, and Patrick Corlay

**Abstract**—Nowadays, real-time vehicle applications increasingly rely on video acquisition and processing to detect or even identify vehicles and obstacles in the driving environment. In this letter, we propose an algorithm that allows reinforcing these operations by improving end-to-end video transmission quality in a vehicular context. The proposed low complexity solution gives highest priority to the scene regions of interest (ROI) on which the perception of the driving environment is based on. This is done by applying an adaptive cross-layer mapping of the ROI visual data packets at the IEEE 802.11p MAC layer. Realistic VANET simulation results demonstrate that for HEVC compressed video communications, the proposed system offers PSNR gains up to 11dB on the ROI part.

**Index Terms**—HEVC, ROI, cross-layer, VANET, real-time.

## I. INTRODUCTION

With the development of vehicular communications, the need for efficient video transmissions with Quality of Service (QoS) guarantees is increasing. This is especially true for infrastructure-less applications requiring low latency such as Vehicle-to-Vehicle (V2V) systems for driver assistance [1], but also for connected and autonomous vehicles. In emergency applications, visual information can be transmitted through Vehicle-to-Infrastructure (V2I) or Vehicle-to-Everything (V2X) communication patterns to help first responders to better prepare for victim assistance. Video delivery over vehicular networks can also be of great help for field agents in the case of video surveillance, law enforcement and traffic police applications [2]. However, in this kind of application, it is well known that the human viewer will not base his/her judgment on the entire scene but on some specific privileged regions of the scene relevant for his/her perception task. These so-called regions of interest (ROI) have a great influence on the perceived video quality and the subsequent visual analysis [3]. Indeed, they directly influence the ability and speed of human beings or autonomous systems to perceive, recognize and understand the surrounding world. Thereby, many video streaming applications use appropriate coding and bitrate control techniques that use the specific characteristics of video content [4]. Recently, many ROI-based encoders have emerged, developed in particular on the Advanced Video Coding (AVC) and High Efficiency Video Coding (HEVC) standards [5], [6]. However, due to severe channel transmission

conditions, the Vehicular Adhoc NETWORK (VANET) has a percentage of packets loss quite high and low reliability which does not promote video transmission. This can be all the more harmful if it affects the video ROI quality. Thus, an adequate end-to-end video transmission strategy and suitable standards are required.

In this letter, we propose a low-complexity adaptive cross-layer scheme that exploits the specific characteristics of video content, with the ROI, in the mapping of video packets at the IEEE 802.11p Medium Access Control (MAC) layer. Indeed, we intervene on two levels of the video transmission chain over vehicular network in the form of an adaptive cross-layer scheme. At the encoding level, after application of a low complexity ROI detection algorithm, the sequence is encoded with HEVC by granting better video quality to the detected ROI areas. At the MAC layer level, we perform an adjustment of the video mapping algorithm between the different Access Categories (AC). Thus, the proposed algorithm makes it possible to prioritize the transmission of the ROI video packets based on the network traffic load and the region area of each packet. On the receiver side, a stream reconstruction and error concealment algorithms are proposed for the corrupted video stream. Overall, realistic VANET simulation results demonstrate that for video communications, the proposed system offers significant end-to-end improvements in received video quality. Thereby, for the ROI part the average PSNR gains can exceed 11 dB compared to conventional video transmission schemes.

The rest of the letter is organized as follows. In Section II we list some related works. In Section III we propose a description of the proposed solution. The simulation setting and the performances evaluations are respectively presented in Section IV and V. Conclusions are drawn in Section VI.

## II. RELATED WORKS

Video transmission improvement over VANET has been widely discussed in the literature. In particular, with the use of the WI-FI extension for vehicular networks, i.e. IEEE 802.11p. Moreover, IEEE 802.11p has variable QoS that supports differentiated service classes at the MAC layer [7], [8]. Working at the source coder level, the authors in [9] studied different coding options for the HEVC video encoder in order to improve the video quality perceived in VANETs networks. They used different intra-predictions refresh options with appropriate tile coding, a feature of the HEVC coder

Mohamed Aymen Labiod, Mohamed Gharbi, François-Xavier Coudoux and Patrick Corlay are with Univ. Polytechnique Hauts-de-France, CNRS, Univ. Lille, YNCREA, Centrale Lille, UMR 8520 - IEMN, DOAE, F-59313 Valenciennes, France (e-mail: MohamedAymen.Labiod@uphf.fr).

which divides an image into independent rectangular regions and their simulations were deployed in VANET urban scenarios. Belyaev et al. [10] introduced a video coding and transmission system for a VANET-enabled application with the use of IEEE 802.11p from a vehicle to a roadside unit. The developed system, dedicated to video surveillance for public transport security and road traffic control, has been validated experimentally. The system is based on a low complexity 3-D discrete wavelet transform applied to real-time automotive monitoring applications.

Regarding ROI image coding, in several applications such as videoconferencing, video surveillance or telemedicine, video encoding taking into account the ROI has become an unavoidable subject. Indeed, users pay much more attention to the ROI areas, while less attention to the rest, called non-ROI. Therefore, maintaining the visual quality of the entire frame has become a major concern, especially in conditions of low bit rate [11], [12]. Wu et al. [13] have proposed a mechanism for coding traffic surveillance videos by defining the areas covering vehicles as ROI in H.264 / AVC video compression, thereby preserving their quality. Their experimental results showed that the system works well in traffic surveillance videos. The authors in [14] proposed an object-based source coding method for video streaming over wireless networks to maintain constant video quality. Fatani et al. [5] have proposed a hierarchical video coding mechanism based on ROI scene separation for train-to-wayside wireless communication in driverless applications for the metro. The flow corresponds to the ROI area is transmitted through a reliable channel. This has ensured better transmission robustness and guarantees an acceptable level for the QoS perceived by the user. The creation of the different ROIs is based on the FMO (Flexible Macroblock Ordering) tool introduced in the new H.264 / AVC compression standard. Moreover, Meddeb et al. [15] have considered an ROI-based rate control (RC) algorithm designed for HEVC. It has improved the quality of important regions considering independently coded regions within an ROI and helps to assess the ROI quality in poor channel conditions. The validation of the results was done on a flow transmitted over a lossy network modeled by a Gilbert-Elliott channel.

In the case of video transmission over IEEE 802.11e, improvements have also been made to the Enhanced Distributed Channel Access (EDCA). Indeed, Lin et al. [16] have proposed an adaptive cross-mapping algorithm to improve MPEG-4 Part 2 video transmission over IEEE 802.11e wireless networks. Before them, Ksentini et al. [17] were the pioneers with the idea of using the other Access Categories (ACs). They proposed a cross-layer static architecture based on an H.264 video stream. More recently, the authors [18], [19] proposed a cross-layer mechanism based on the IEEE 802.11p standard to improve the packet mapping of HEVC video streaming in VANETs under low-delay constraints. They also proposed a low-complexity system based on robust encoding using Multiple Description Coding (MDC) in the video packets mapping at the IEEE 802.11p MAC layer [20].

### III. DESCRIPTION OF THE PROPOSED SOLUTION

In this section, we will briefly describe the technologies employed in the development of the different mechanisms associated to this work and then detail the proposed system.

#### A. The IEEE 802.11p standard

The Wireless Access in the Vehicular Environment (WAVE) is based on two standards categories: IEEE 802.11p for the PHY and MAC layers and IEEE 1609 for network management, security and other sides of VANETs [21]. The spectrum band reserved for IEEE 802.11p is divided into seven 10 MHz channels, in the 5.850-5.925 GHz frequency range and is based on the Dedicated Short-Range Communication (DSRC) standard. It provides communication with a bit rate variation from 3 to 27 Mbps at theoretical distances up to 1000 meters. For the MAC layer, the IEEE 802.11p is based on the IEEE 802.11e standard with the use of EDCA for packet transmission. The EDCA provides sufficient QoS and is an improvement of Distributed Channel Access (DCA). However, instead of a single queue storing data frame, EDCA has four queues representing different levels of priority named AC. Each of these ACs is dedicated to a kind of traffic, namely Background (Bk or AC0), Best Effort (BE or AC1), Video (VI or AC2) and Voice (VO or AC3). Based on different Arbitration Inter-Frame Space Number (AIFS<sub>N</sub>) and Contention Window (CW) for the different ACs types. Thus, Voice traffic is given the highest priority while the Background the lowest one [22], [23].

#### B. Video Encoding

HEVC offers a gain in compression but also better errors resilience than its predecessors. Thus, the HEVC encoder improves video transmission in circumstances presenting severe transmission conditions such as low bandwidth networks with latency constraints [24]. Moreover, four predictive structures types are proposed in the HEVC. These different structures can be envisaged depending on the targeted application. It depends on several parameters such as efficiency, computational complexity, time processing or error resilience techniques. In the All Intra (AI) structure, all the pictures are coded independently with only intra-predictions. Thus, this structure is most suitable for low latency constraints applications at the expense of a higher rate compared to the other three structures [25].

Flexible Macroblock Ordering (FMO) is one of the characteristics of the H.264/AVC standard. It has been widely used to improve error resilience because each slice, i.e. a number of coded macroblocks, can be decoded independently of other slices. In the HEVC standard, a new feature called Tiles has been introduced that divides a picture into independent rectangular regions. Tiles are better suited for ROI coding than, e.g., slices. They ensure that temporal and spatial predictions within the ROI do not refer to pixels outside the ROI and that the ROI tiles are independently decodable from the non-ROI tiles [26]. In some works, tiles are combined with a tracking algorithm that can be used to dynamically adjust the

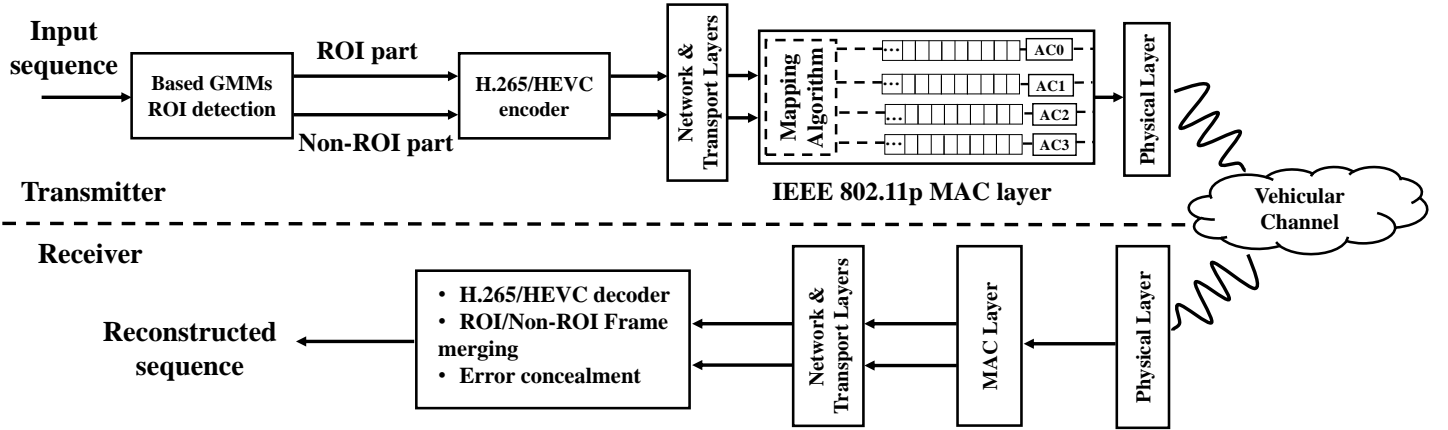


Fig. 1. Representation of the adopted ROI based transmission scheme.

ROIs size. However, tiles generally come along with bit rate overhead [27].

### C. Description of the proposed system

The proposed low-complexity cross-layer system exploits the specific characteristics of video content. The frames corresponding to the ROI flow are prioritized in the transmission in a VANET transmission scheme. Fig. 1 illustrates the adopted cross-layer design between the application layer and the IEEE 802.11p MAC layer. At the application layer, a real-time and low-complexity ROI detection algorithm is applied based on Gaussian Mixing Models (GMMs) [28]. Despite different ROI extraction methods exist, GMM is a classical parametric model due to its robustness and its efficiency in different scenes. Thereby, on the proposed system, the regions of interest are determined and are separated from the non-ROI regions. Then ROI and non-ROI are encoded in parallel with an AI H.265 / HEVC encoder. The encoding video quality of the ROI areas is held higher than that of non-ROI. At the encoder output, the generated stream is sent to the lower level of the protocol stack. At the receiver, if all the packets are correctly received, both regions can be correctly decoded and can be merged to reconstruct the video. The proposed system applies an error concealment mechanism in packet loss case. Thereby, the adopted frame copy mechanism has the advantage of being of low complexity with satisfactory results. Let's recall the advantage of applying video processing discrimination. The objective is to protect the ROI flow at the expense of the non-ROI flow. To do this, we propose to use the other ACs in addition to the one used for the video, i.e. the AC[2]. The other ACs used are AC[1] dedicated for the best effort flow and AC[0] for the traffic background, both being of lower priority.

The proposed adaptive mapping algorithm allocates dynamically for each video packet the most appropriated AC at the MAC layer. It takes into account the state of the network traffic load and the type of area of each frame packet, i.e. if ROI or non-ROI. The algorithm differentiates between the two regions areas, each region has a probability of mapping

to lower priority ACs, defined as  $P_{Region}$ . It depends on the importance of the frame which means  $P_{non-ROI} > P_{ROI}$ .

As previously mentioned, the mapping takes into consideration the state of the channel thanks to the AC queues filling state. Indeed, the more the MAC queue is filled, the more the network is overloaded. In order to deal with network congestion, two thresholds are established,  $threshold_{high}$  and  $threshold_{low}$ . Developed initially by Lin et al. in [16] and based on the principle of the Random Early Detection (RED) mechanism the adaptive mapping algorithm is based on the following expression:

$$P_{new} = P_{Region} \times \frac{qlen(AC[2]) - qth_{low}}{qth_{high} - qth_{low}} \quad (1)$$

Where  $P_{Region}$  is the initial probability of each region,  $qlen(AC[2])$  is the actual state of the video queue length,  $qth_{high}$  and  $qth_{low}$  are thresholds that define the manner and degree of mapping to lower priority ACs.

The algorithm behaves as follows: when  $qlen(AC[2])$  is less than  $qth_{low}$ , all packets are mapped in AC[2]. When  $qlen(AC[2])$  is between  $qth_{low}$  and  $qth_{high}$ ,  $P_{new}$  sets the packet probability mapped to AC[1]. And finally, when  $qlen(AC[2])$  is greater than  $qth_{high}$ , video packets are mapped in AC[1] with  $P_{new}$  probability of being mapped to AC[0].

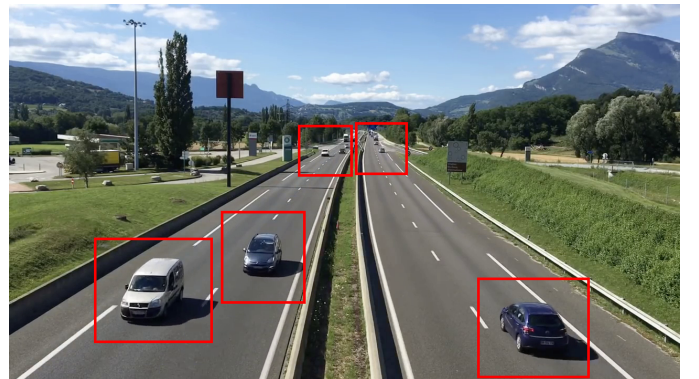


Fig. 2. Illustration of a ROI based fixed camera on a European highway.

TABLE II  
NUMBER OF RECEIVED PACKETS FOR EACH MAPPING ALGORITHM

Mapping Algorithm	Transmit ROI Packets	Received ROI Packets	Transmit non-ROI Packets	Received non-ROI Packets	Transmit Packets	Received Packets
EDCA	/	/	/	/	3900	2533
Algorithm in [18]	/	/	/	/	3900	3721
Based ROI adaptive mapping	1201	1196	2993	2871	4194	4067

TABLE III  
AVERAGE PSNR FOR EACH MAPPING ALGORITHM

Mapping Algorithm	PSNR (dB)					
	Encoding ROI	Received ROI	Encoding non-ROI	Received non-ROI	Encoding	Received
EDCA	34.95	23.48	31.28	28.35	31.07	27.02
Algorithm in [18]	34.95	24.85	31.28	<b>30.03</b>	31.07	28.54
Based ROI adaptive mapping	35.30	<b>34.93</b>	30.40	27.91	30.23	<b>29.07</b>

#### IV. SIMULATION AND PARAMETERS SETTING

We have modeled a framework allowing a realistic simulation of video transmission in a vehicular environment. It consists of a vehicular traffic simulator, a network simulator and a video encoder / decoder. Thereby, we used Simulation of Urban Mobility (SUMO) [29] to model the behavior of vehicles from urban traffic maps imported from OpenStreetMap (OSM) of Valenciennes (France) [30]. Moreover, SUMO is an open source simulator, it models the behavior of vehicles with urban mobility and takes into account the interaction of vehicles with each other, traffic signals, junctions, etc. We also used NS2 as a network simulator to which we integrated the Evalvid tool [31]. This tool allows us to transmit the video and reconstruct it on the receiver side. We also used the HM reference model (16.16) for video encoding [32].

TABLE I  
SIMULATION PARAMETERS OF THE VANET SCENARIO AND THE MEASURED METRICS

Parameters	Value
Number of vehicles	100
Radio-propagation model	TwoRayGround
Maximum Transfer Unit (MTU)	1024
Routing protocol	Ad-hoc On-Demand Distance Vector (AODV)
Transport protocol	User Datagram Protocol (UDP)
Measured metrics	Peak Signal to Noise Ratio (PSNR) Packet delivery ratio

For the choice of the test sequence, we choose a sequence of a fixed camera of an overtaking on a European highway as shown in Fig. 2. The sequence lasts 10 seconds with an image resolution of  $1280 \times 720$  pixels and a frame rate of 30 fps. The radio propagation model used is the TwoRayGround allowing to give a fairly realistic representation of the vehicular channel, the standard used is the IEEE 802.11p. As for the transport layer protocol and in order to guarantee a minimum latency, we have chosen to work with User Datagram Protocol (UDP). Table I summarizes the main parameters of the simulation and the measured metrics. The used system parameters are

as follows: the value of  $P_{\text{Region}}$ , is fixed at 0 for the ROI and 0.8 for the non-ROI.

#### V. PERFORMANCE EVALUATION

To demonstrate the effectiveness of the proposed system, several experiments were carried out to evaluate three different mapping methods: first, the EDCA algorithm, the conventional video transmission scheme, implemented in the current IEEE 802.11p vehicular standard. Then, the enhanced adaptive cross-layer algorithm [18] and finally our current system. For the first two algorithms, in the video encoding, no distinction is applied regarding the characteristics of video content. Thus, the video is encoded at 3 Mbps. In the adopted simulations, other types of stream coexist with video transmission in order to guarantee a realistic simulation. Indeed, we simulate voice traffic in the AC[3] but also a TCP flow in the AC[1] and a UDP flow on the AC[0]. For our current system, ROI raw video is encoded with better video quality than the non-ROI part but keeping the entire sequence bit rate equivalent to that of other methods.

The simulations results obtained by the enhanced adaptive cross-layer [18] and the EDCA algorithms are illustrated Table II in terms of correctly received packets. The performance gain provided by the enhanced solution [18] is explained by the use of the two-lower priority ACs, i.e. AC[1] and AC[2]. While Table III shows the PSNR average gain provided with a 1.5 dB gain. However, we note that for the ROI part, the two algorithms have a low PSNR values which is explained by the more pronounced movement in this part of the sequence. Hence, when a packet is lost, this generates an image freeze which makes a big difference compared to the original video. Regarding the proposed ROI based system, we note a greater packets number of the overall sequence, i.e. 4194 packets. This can be explained by the ROI coding and the video packets segmentation. Whereas, the ROI based algorithm allows a better reception of packets corresponding to the ROI part which results in better video quality perceived by the user at reception. Regarding the PSNR values, the proposed algorithm

has more than 11 dB gain compared to the EDCA for the ROI part and 10 dB gain compared to the algorithm of [18]. The entire sequence received from the proposed system also exhibits better PSNR than the other two methods. Visually, we confirm that the quality of the received sequences with the proposed ROI-based adaptive cross-layer system fluctuates much less. This is particularly true for the ROI areas, which clearly translates into a better quality of experience for the final viewer.

## VI. CONCLUSION

The letter proposes a cross-layer system, using the video ROI, allowing a video transmission improvement in low latency application over vehicular networks. The proposed system allows cross-layer packet classification based on the IEEE 802.11p protocol. Indeed, the proposed strategy is based on the video packets mapping in the most appropriate ACs in order to offer better QoS. The proposed solution uses video information at the MAC layer in a cross-layer scheme. Thus, the video ROI information and the MAC AC buffer filling allow the proposed algorithm to choose the best option for video mapping. The results established in a realistic vehicle environment illustrates a QoS improvement and an end-to-end video quality enhancement.

## REFERENCES

- [1] P. Gomes, C. Olaverri-Monreal, and M. Ferreira, "Making vehicles transparent through V2V video streaming," *IEEE Transactions on Intelligent Transportation Systems*, vol. 13, no. 2, pp. 930–938, June 2012.
- [2] J.-S. Park, U. Lee, and M. Gerla, "Vehicular communications: emergency video streams and network coding," *Journal of Internet Services and Applications*, vol. 1, no. 1, pp. 57–68, 2010.
- [3] D. Kanellopoulos, *Intelligent Multimedia Technologies for Networking Applications: Techniques and Tools*, 1st ed. USA: IGI Global, 2013.
- [4] L. Jianhua, T. Xiaoming, and G. Ning, *Structural Processing for Wireless Communications*. Springer International Publishing, 2015.
- [5] I. F. E. Fatani, Y. Cocheril, C. Nsiala, B. Vrigneau, M. Berbineau, and F.-X. Coudoux, "Robust train-to-wayside video communications in tunnels using H.264 error-resilient video encoding combined with multiple antenna systems," *Transportation Research Part C: Emerging Technologies*, vol. 25, pp. 168–180, Dec. 2012.
- [6] H. Meuel, F. Kluger, and J. Ostermann, "Region of interest (ROI) coding for aerial surveillance video using AVC & HEVC," *APSIPA Transactions on Signal and Information Processing*, vol. 4, p. e13, 2015.
- [7] C. Campolo, A. Molinaro, and R. Scopigno, "From today's VANETs to tomorrow's planning and the bets for the day after," *Vehicular Communications*, vol. 2, no. 3, pp. 158–171, Jul. 2015.
- [8] D. Perdana and R. F. Sari, "Performance comparison of IEEE 1609.4/802.11p and 802.11e with EDCA implementation in MAC sublayer," in *2013 International Conference on Information Technology and Electrical Engineering (ICITEE)*, October 2013, pp. 285–290.
- [9] P. P. Garrido Abenza, M. P. Malumbres, P. Piñol, and O. López-Granado, "Source coding options to improve HEVC video streaming in vehicular networks," *Sensors*, vol. 18, no. 9, p. 3107, 2018.
- [10] E. Belyaev, A. Vinel, A. Surak, M. Gabbouj, M. Jonsson, and K. Egiazarian, "Robust vehicle-to-infrastructure video transmission for road surveillance applications," *IEEE Transactions on Vehicular Technology*, vol. 64, no. 7, pp. 2991–3003, July 2015.
- [11] H. Hu, B. Li, W. Lin, W. Li, and M. Sun, "Region-based rate control for h.264/avc for low bit-rate applications," *IEEE Transactions on Circuits and Systems for Video Technology*, vol. 22, no. 11, pp. 1564–1576, Nov 2012.
- [12] Ling Yang, Li Zhang, Siwei Ma, and Debin Zhao, "A roi quality adjustable rate control scheme for low bitrate video coding," in *2009 Picture Coding Symposium*, May 2009, pp. 1–4.
- [13] C. Wu and P. Su, "A region of interest rate-control scheme for encoding traffic surveillance videos," in *2009 Fifth International Conference on Intelligent Information Hiding and Multimedia Signal Processing*, Sep. 2009, pp. 194–197.
- [14] T.-M. Pan, K.-C. Fan, and Y.-K. Wang, "Object-based approach for adaptive source coding of surveillance video," *Applied Sciences*, vol. 9, no. 10, p. 2003, 2019.
- [15] M. Meddeb, M. Cagnazzo, and B. Pesquet-Popescu, "ROI-based rate control using tiles for an HEVC encoded video stream over a lossy network," in *2015 IEEE International Conference on Image Processing (ICIP)*, 2015, pp. 1389–1393.
- [16] C. H. Lin, C. K. Shieh, C. H. Ke, N. K. Chilamkurti, and S. Zeadally, "An adaptive cross-layer mapping algorithm for MPEG-4 video transmission over IEEE 802.11e WLAN," *Telecommunication Systems*, vol. 42, no. 3-4, p. 223, December 2009.
- [17] A. Ksentini, M. Naimi, and A. Gueroui, "Toward an improvement of H.264 video transmission over IEEE 802.11e through a cross-layer architecture," *IEEE Communications Magazine*, vol. 44, no. 1, pp. 107–114, January 2006.
- [18] M. A. Labiod, M. Gharbi, F.-X. Coudoux, P. Corlay, and N. Doghmane, "Enhanced adaptive cross-layer scheme for low latency HEVC streaming over vehicular ad-hoc networks (VANETs)," *Vehicular Communications*, vol. 15, pp. 28–39, 2019.
- [19] M. A. Labiod, M. Gharbi, F. X. Coudoux, P. Corlay, and N. Doghmane, "Cross-layer approach dedicated to HEVC low delay temporal prediction structure streaming over VANETs," in *2018 International Conference on Smart Communications in Network Technologies (SaCoNeT)*, Oct 2018, pp. 120–125.
- [20] M. A. Labiod, M. Gharbi, F.-X. Coudoux, P. Corlay, and N. Doghmane, "Cross-layer scheme for low latency multiple description video streaming over vehicular ad-hoc NETWORKS (VANETs)," *AEU - International Journal of Electronics and Communications*, vol. 104, pp. 23–34, 2019.
- [21] A. Festag, "Standards for vehicular communication—from IEEE 802.11p to 5G," *e & i Elektrotechnik und Informationstechnik*, vol. 132, no. 7, pp. 409–416, November 2015.
- [22] C. Han, M. Dianati, R. Tafazolli, R. Kernchen, and X. Shen, "Analytical study of the IEEE 802.11p MAC sublayer in vehicular networks," *IEEE Transactions on Intelligent Transportation Systems*, vol. 13, no. 2, pp. 873–886, June 2012.
- [23] N. Gupta, A. Prakash, and R. Tripathi, "Medium access control protocols for safety applications in vehicular ad-hoc network," *Veh. Commun.*, vol. 2, no. 4, pp. 223–237, October 2015.
- [24] K. E. Psannis, "HEVC in wireless environments," *Journal of Real-Time Image Processing*, vol. 12, no. 2, pp. 509–516, August 2016.
- [25] M. Wien, *High Efficiency Video Coding: Coding Tools and Specification*. Berlin Heidelberg: Springer-Verlag, 2015.
- [26] K. Misra, A. Segall, M. Horowitz, S. Xu, A. Fuldseth, and M. Zhou, "An overview of tiles in HEVC," *IEEE Journal of Selected Topics in Signal Processing*, vol. 7, no. 6, pp. 969–977, Dec 2013.
- [27] V. Sze, M. Budagavi, and G. J. Sullivan, *High Efficiency Video Coding (HEVC): Algorithms and Architectures*. Berlin Heidelberg: Springer International Publishing, 2014.
- [28] Y. Zhang, C. Zhao, J. He, and A. Chen, "Vehicles detection in complex urban traffic scenes using gaussian mixture model with confidence measurement," vol. 10, no. 6, pp. 445–452.
- [29] D. Krajzewicz, J. Erdmann, M. Behrisch, and L. Bieker, "Recent development and applications of sumo – simulation of urban mobility," in *International Journal on Advances in Systems and Measurements*, December 2012, pp. 128–138.
- [30] "Open street map." [Online]. Available: <https://www.openstreetmap.org/>
- [31] J. Klaue, B. Rathke, and A. Wolisz, "Evalvid – a framework for video transmission and quality evaluation," in *Computer Performance Evaluation. Modelling Techniques and Tools*. Springer, Berlin, Heidelberg, September 2003, pp. 255–272.
- [32] "HM reference software vers 16.16." [Online]. Available: [https://hevc.hhi.fraunhofer.de/svn/svn\\_HEVCSoftware/tags/HM-16.16/](https://hevc.hhi.fraunhofer.de/svn/svn_HEVCSoftware/tags/HM-16.16/)