

Topological Expressivity of ReLU Neural Networks

Ekin Ergen^{*1} and Moritz Grillo^{*1}

¹Technische Universität Berlin, Berlin, Germany
ergen@math.tu-berlin.de, grillo@math.tu-berlin.de

Abstract

We study the expressivity of ReLU neural networks in the setting of a binary classification problem from a topological perspective. Recently, empirical studies showed that neural networks operate by changing topology, transforming a topologically complicated data set into a topologically simpler one as it passes through the layers. This topological simplification has been measured by Betti numbers, which are algebraic invariants of a topological space. We use the same measure to establish lower and upper bounds on the topological simplification a ReLU neural network can achieve with a given architecture. We therefore contribute to a better understanding of the expressivity of ReLU neural networks in the context of binary classification problems by shedding light on their ability to capture the underlying topological structure of the data. In particular the results show that deep ReLU neural networks are exponentially more powerful than shallow ones in terms of topological simplification. This provides a mathematically rigorous explanation why deeper networks are better equipped to handle complex and topologically rich datasets.

1 Introduction

Neural networks are at the core of many AI applications. A crucial task when working with neural networks is selecting the appropriate architecture to effectively tackle a given problem. Therefore, it is of fundamental interest to understand the range of problems that can be solved by neural networks with a given architecture, i.e., its *expressivity*.

In recent years, many theoretical findings have shed light on the expressivity of neural networks. Universal approximation theorems [Cybenko, 1989] [Hornik, 1991] state that one hidden layer is already sufficient to approximate any continuous function with arbitrary accuracy. On the other hand, it is known that deep networks can represent more complex functions than their shallow counterparts, see e.g. [Telgarsky, 2016, Eldan and Shamir, 2016, Arora et al., 2018].

The measure of expressivity of a neural network should always be related to the problem it has to solve. A common scenario in which neural networks are employed is the binary classification problem, where the network serves as a classifier for a binary labeled dataset. Since topological data analysis has revealed that data often has nontrivial topology, it is important to consider the topological structure of the data when dealing with a binary classification problem. Naitzat et al. [2020] show through empirical methods that neural networks operate topologically, transforming a topologically complicated dataset into a topologically simple one as it passes through the layers. Given a binary labeled dataset, they assume that the positively labeled and the negatively labeled points are sampled from topological spaces M_a and M_b respectively that

^{*}Supported by the Deutsche Forschungsgemeinschaft (DFG, German Research Foundation) under Germany's Excellence Strategy — The Berlin Mathematics Research Center MATH+ (EXC-2046/1, project ID: 390685689).

are entangled with each other in a nontrivial way. Their experiments show that a well-trained neural network gradually disentangles the topological spaces until they are linearly separable in the end, i.e., the space M_b is mapped to the positive real line and M_a to the negative real line. From a theoretical point of view, it is of interest to determine the extent of “topological change” that can be achieved by neural networks of a particular architecture. The topological expressivity of a neural network can therefore be measured by the complexity of the most complex topological spaces it can separate and is directly related to the complexity of the binary classification problem.

In this paper we investigate the topological expressivity of ReLU neural networks, which are one of the most commonly used types of neural networks [Glorot et al., 2011, Goodfellow et al., 2016]. A $(L + 1)$ -layer neural network (NN) is defined by $L + 1$ affine transformations $T_\ell: \mathbb{R}^{n_{\ell-1}} \rightarrow \mathbb{R}^{n_\ell}$, $x \mapsto A_\ell x + b_\ell$ for $A_\ell \in \mathbb{R}^{n_\ell \times n_{\ell-1}}$, $b_\ell \in \mathbb{R}^{n_\ell}$ and $\ell = 1, \dots, L + 1$. The tuple $(n_0, n_1, \dots, n_L, n_{L+1})$ is called the *architecture*, $L + 1$ the *depth*, n_ℓ the *width of the ℓ -layer*, $\max\{n_1, \dots, n_L\}$ the *width* of the NN and $\sum_{\ell=1}^L n_\ell$ the *size* of the NN. The entries of A_ℓ and b_ℓ for $\ell = 1, \dots, L + 1$ are called *weights* of the NN and the vector space of all possible weights is called the *parameter space* of an architecture. A ReLU neural network computes the function

$$F = T_{L+1} \circ \sigma_{n_L} \circ T_L \circ \dots \circ \sigma_{n_1} \circ T_1,$$

where $\sigma_n: \mathbb{R}^n \rightarrow \mathbb{R}^n$ is the *ReLU function* given by $\sigma_n(x) = (\max(0, x_1), \dots, \max(0, x_n))$.

Note that the function F is piecewise linear and continuous. In fact, it is known that any continuous piecewise linear function F can be computed by a ReLU neural network [Arora et al., 2018]. However, for a fixed architecture A , the class \mathcal{F}_A of piecewise linear functions that is representable by this architecture is not known [Hertrich et al., 2021, Haase et al., 2023]. Conveniently, in the setting of a binary classification problem we are merely interested in the *decision regions*, i.e., $F^{-1}((-\infty, 0])$ and $F^{-1}((0, \infty))$ rather than the continuous piecewise linear function F itself.

A common choice to measure the complexity of a topological space X is the use of algebraic invariants. Homology groups are the essential algebraic structures with which topological data analysis analyzes data [Dey and Wang, 2022] and hence Betti numbers as the ranks of these groups are the obvious measure of topological expressivity. Intuitively, the k -th Betti number $\beta_k(X)$ corresponds to the number of $(k + 1)$ -dimensional holes in the space X for $k > 0$ and $\beta_0(X)$ corresponds to the number of path-connected components of X . Thus, one can argue that when a space (the support of one class of the data) has many connected components and higher dimensional holes, it is more difficult to separate this space from the rest of the ambient space, e.g., mapping it to the negative line. In Appendix 5.1.2 we present a brief introduction to homology groups. For an in-depth discussion of the aforementioned concepts, we refer to [Hatcher, 2002].

In order to properly separate M_a and M_b , the sublevel set $F^{-1}((-\infty, 0])$ of the function F computed by the neural network should have the same topological complexity as M_a . Bianchini and Scarselli [2014] measured the topological complexity of the decision region $F^{-1}((-\infty, 0])$ with the sum of all its Betti numbers. This notion of topological expressivity does not differentiate between connected components and higher dimensional holes. On the other hand, if an architecture is not capable of expressing the Betti numbers of different dimensions of the underlying topological space of the dataset, then for every $F \in \mathcal{F}_A$ there is a set of data points U such that F misclassifies every $x \in U$ [Guss and Salakhutdinov, 2018]. Therefore it is of fundamental interest to understand each Betti number of the decision regions and hence we propose the following definition:

Definition 1. *The topological expressivity of a ReLU neural network $F: \mathbb{R}^d \rightarrow \mathbb{R}$ is defined as the vector $\beta(F) = (\beta_k(F))_{k=0, \dots, d-1} = (\beta_k(F^{-1}((-\infty, 0])))_{k=0, \dots, d-1}$.*

1.1 Main results

Our main contribution consists of lower and upper bounds on the topological expressivity for ReLU NNs with architectures. These bounds demonstrate that the growth of Betti numbers in neural networks depends on their depth. With an unbounded depth, Betti numbers in every dimension can exhibit exponential growth as the network size increases. However, in the case of a shallow neural network, where the depth remains constant, the Betti numbers of the sublevel set are polynomially bounded in size. This implies that increasing the width of a network while keeping the depth constant prevents exponential growth in the Betti numbers. Consequently, if a dataset possesses exponentially high Betti numbers (parameterized by some parameter p), accurate modeling of the dataset requires a deep neural network when the size of the neural network is constrained to be polynomial in parameter p since the topological expressivity serves, as discussed above, as a bottleneck measure for effective data representation.

In Theorem 36, the lower bounds for the topological expressivity are given by an explicit formula, from which we can derive the following asymptotic lower bounds:

Corollary 2. *Let $A = (d, n_1, \dots, n_L, 1)$ with $n_L \geq 4d$ and $M = 2 \cdot \prod_{\ell=1}^{L-1} \lfloor \frac{n_\ell}{2d} \rfloor$, then there is a ReLU NN $F: \mathbb{R}^d \mapsto \mathbb{R}$ with architecture A such that*

$$(i) \beta_0(F) \in \Omega(M^d \cdot n_L)$$

$$(ii) \beta_k(F) \in \Omega(M^k \cdot n_L) \text{ for } 0 < k < d.$$

In particular, given $\mathbf{v} = (v_1, \dots, v_d) \in \mathbb{N}^{d-1}$, there is a ReLU NN F of size $O\left(\log\left(\sum_{k=1}^{d-1} v_k\right)\right)$ such that $\beta_k(F) \geq v_{k+1}$ for all $k \in \{0, \dots, d-1\}$.

Corollary 2 provides a proof for a conjecture on lower bounds for the zeroth Betti number of the decision region given in [Guss and Salakhutdinov, 2018]; in fact, it generalizes the statement to arbitrary dimensions. Furthermore, we observe that $L = 2$ hidden layers are already sufficient to increase the topological expressivity as much as we want at the expense of an increased width due to the above lower bound.

Corollary 3. *Given $v \in \mathbb{N}^d$, there exists an NN $F: \mathbb{R}^d \rightarrow \mathbb{R}$ of depth 2 such that $\beta_k(F) \geq v_{k+1}$ for all $k \in \{0, \dots, d-1\}$.*

We obtain the lower bound by making choices for the weights of the NN, nevertheless, we show that our construction is robust with respect to small perturbations. In fact, in Proposition 12 we prove that we actually have an open set in the parameter space such that the respective functions all have the same topological expressivity.

Using an upper bound on the number of linear regions [Serra et al., 2017], we obtain an explicit formula for an upper bound on $\beta_k(F)$ for an arbitrary architecture in Proposition 14. This gives rise to the following asymptotic upper bounds:

Corollary 4. *Let $F: \mathbb{R}^d \rightarrow \mathbb{R}$ be a neural network of architecture $(d, n_1, \dots, n_L, 1)$. Then it holds that $\beta_k(F) \in O\left(\left(\prod_{i=1}^L n_i\right)^{d^2}\right)$ for $k \in [d-2]$ and $\beta_0, \beta_{d-1} \in O\left(\left(\prod_{i=1}^L n_i\right)^d\right)$.*

By combining Corollary 2 and Corollary 4, we can conclude that there is an exponential gap in the topological expressivity between shallow and deep neural networks. This aligns with other popular measures of expressivity, such as the number of linear regions, where similar exponential gaps are known [Serra et al., 2017, Montúfar et al., 2014, Montufar, 2017].

1.2 Related Work

1.2.1 Topology and Neural Networks

Recently, there is a vast stream of research studying neural networks by means of topology using empirical methods [Petri and Leitão, 2020, Guss and Salakhutdinov, 2018, Naitzat et al., 2020, Li et al., 2020] as well as from a theoretical perspective [Basri and Jacobs, 2017, Melodia and Lenz, 2020, Grigsby and Lindsey, 2022, Bianchini and Scarselli, 2014, Grigsby et al., 2022, Hajij and Istvan, 2020]. Bianchini and Scarselli [2014] were the first that used Betti numbers as a complexity measure for decision regions of neural networks. Their work studies NNs with sigmoidal activation functions and shows that there is an exponential gap with respect to the sum of Betti numbers between deep neural networks and neural networks with one hidden layer. However, there are no insights about distinct Betti numbers. In Guss and Salakhutdinov [2018], the decision regions of ReLU neural networks are studied with empirical methods and an exponential gap for the zeroth Betti number is conjectured. Our results prove the conjecture and extend the results of Bianchini and Scarselli [2014] for the ReLU case (see Section 3 and Appendix). Furthermore topological characteristics such as connectivity or boundedness of the decision regions are also investigated in [Fawzi et al., 2018, Grigsby and Lindsey, 2022, Grigsby et al., 2022, Nguyen et al., 2018].

1.2.2 Expressivity of (ReLU) neural networks

In addition to the universal approximation theorems [Cybenko, 1989, Hornik, 1991], there is a significant amount of research on the expressivity of neural networks, e.g., indicating that deep neural networks can be exponentially smaller in size than shallow ones. For ReLU neural networks, the number of linear regions is often used as a measure of complexity for the continuous piecewise linear (CPWL) function computed by the network. It is well established that deep ReLU neural networks can compute CPWL functions with exponentially more linear regions than shallow ones, based on various results such as lower and upper bounds on the number of linear regions for a given architecture [Montufar, 2017, Serra et al., 2017, Montúfar et al., 2014, Arora et al., 2018]. We partially use techniques from their works to establish our bounds on topological expressivity, which offers the advantage of being directly related to the complexity of binary classification problems.

1.3 Notation and Definitions

A function $F: \mathbb{R}^d \rightarrow \mathbb{R}^d$ is continuous piecewise linear (CPWL) if there is a polyhedral complex covering \mathbb{R}^d , such that F is affine linear over each polyhedron of this complex. A linear region of f is a maximal connected convex subspace R such that f is affine linear on R , i.e., a full-dimensional polyhedron of the complex.¹ For a survey on polyhedral theory in deep learning see Huchette et al. [2023], and for a general introduction to polyhedra we refer to Schrijver [1986].

We denote by $[n]$ the set $\{1, \dots, n\}$ and by $[n]_0$ the set $\{0, \dots, n\}$. We denote by $\pi_j: \mathbb{R}^d \rightarrow \mathbb{R}$ the projection onto the j -th component of \mathbb{R}^d and by $p_j: \mathbb{R}^d \rightarrow \mathbb{R}^j$ the projection onto the first j components.

A crucial part of our construction is decomposing a unit cube into a varying number of small cubes. Thereby, given $\mathbf{m} = (m_1, \dots, m_L) \in \mathbb{N}^L$ and $M = \left(\prod_{\ell=1}^L m_\ell\right)$, the set $W_{i_1, \dots, i_d}^{(L, \mathbf{m}, d)}$ is defined as the cube of volume $\frac{1}{M^d}$ with “upper right point” $\frac{1}{M} \cdot (i_1, \dots, i_d)$, i.e., the cube

¹In the literature there exists also a slightly different definition of a linear region leaving out the necessity of the region being convex, but the bounds we use are all applicable to this definition of a linear region.

$\prod_{k=1}^d [\frac{(i_k-1)}{M}, \frac{i_k}{M}] \subset [0, 1]^d$. The indices (L, \mathbf{m}, d) are omitted whenever they are clear from the context.

We denote by $D^k = \{x \in \mathbb{R}^k: \|x\| < 1\}$ the k -dimensional standard (open) disk and by $S^k = \{x \in \mathbb{R}^{k+1}: \|x\| = 1\}$ the k -dimensional standard sphere. We consider these sets as “independent” topological spaces. Therefore, it is justified to abstain from picking a specific norm, since all norms on \mathbb{R}^k are equivalent.

For $k, m \in \mathbb{N}$ with $m \leq k$, the (j -dimensional open) k -annulus is the product space $S^k \times D^{j-k}$. Note that since S^k has one connected component and a $(k+1)$ -dimensional hole, it holds that $\beta_0(S^k) = \beta_k(S^k) = 1$ and the remaining Betti numbers equal zero. The j -dimensional k -annulus is an j -dimensional manifold that can be thought as a thickened k -sphere and hence its Betti numbers coincide with the ones from the k -sphere. In Appendix 5.1.2 the reader can find a more formal treatment of the latter fact.

In contrast to D^k and S^k , which are only seen as spaces equipped with a topology, we also consider neighborhoods around certain points $x \in \mathbb{R}^d$ as subsets of \mathbb{R}^d . To make a clear distinction, we define the space $B_r^d(x)$ as the d -dimensional open r -ball around x with respect to the 1-norm, i.e., the space $\{y \in \mathbb{R}^d: \|x - y\|_1 < r\}$. Note that for $r < r'$, the set $B_r^d(x) \setminus \overline{B_{r'}^d(x)}$ is homeomorphic to a k -dimensional $(k-1)$ -annulus and we will refer to them as $(k-1)$ -annuli as well. These annuli will be the building blocks of our construction for the lower bound.

The rest of the paper is devoted to proving the lower and upper bounds. Most of the statements come with an explanation or an illustration. In addition, formal proofs for these statements are also provided in the appendix.

2 Lower Bound

In this section, our aim is to construct a neural network $F: \mathbb{R}^d \rightarrow \mathbb{R}$ of depth $L+2$ such that $\beta_k(F)$ grows exponentially in the size of the neural network for all $k \in [d-1]_0$.

We propose a construction that is restricted to architectures where the widths n_1, \dots, n_{L+1} of all hidden layers but the last one are divisible by $2d$. This construction, however, is generalized for any architecture where the dimension of all hidden layers is at least $2d$ by inserting at most $2d$ auxiliary neurons at each layer at which a zero map is computed. Correspondingly, one obtains a lower bound by rounding down the width n_ℓ at each layer to the largest possible multiple of $2d$. In particular, a reduction to the case in Theorem 35 does not have an effect on the asymptotic size of the NN.

The key idea is to construct $F = f \circ h$ as a consecutive execution of two neural networks f and h , where the map $h: \mathbb{R}^d \rightarrow \mathbb{R}^d$ is a ReLU NN with L hidden layers that identifies exponentially many regions with each other. More precisely, h cuts the unit cube of \mathbb{R}^d into exponentially many small cubes $W_{i_1, \dots, i_d} \in [0, 1]^d$ and maps each of these cubes to the whole unit cube by scaling and mirroring. The one hidden layer ReLU NN f then cuts the unit cube into pieces so that f on the pieces alternately takes exclusively positive respectively negative values. Since h maps all W_{i_1, \dots, i_d} to $[0, 1]^d$ by scaling and mirroring, every W_{i_1, \dots, i_d} is cut into positive-valued and negative-valued regions by the composition $f \circ h$ in the same way as $[0, 1]^d$ is mapped by f , up to mirroring. The cutting of the unit cube and the mirroring of the small cubes in the map to $[0, 1]^d$ are chosen in such a way that the subspaces on which F takes negative values form k -annuli for every $k \in [d-1]$. Since h cuts the unit cube into exponentially many small cubes, we obtain exponentially many k -annuli for every $k \in [d-1]$ in $F^{-1}((-\infty, 0))$. We will then argue that $F^{-1}((-\infty, 0))$ is homotopy equivalent to $F^{-1}((-\infty, 0])$.

The idea of constructing a ReLU neural network that folds the input space goes back to Montúfar et al. [2014], where the construction was used to show that a deep neural network with ReLU activation function can have exponentially many linear regions. Using their techniques,

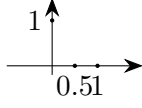


Figure 1: The graph of the function $\pi_j \circ h^{(1,2,d)}$ that folds the unit interval, i.e., mapping the interval $[0, 0.5]$ and $[0.5, 1]$ to the unit interval. This function is realised by a hidden layer with 2 hidden neurons.

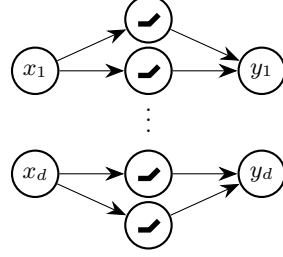


Figure 2: The architecture of the one hidden layer neural network $h^{(1,2,d)}$ that folds the d -dimensional unit cube by folding every component of the cube as described in Figure 1

we first build a 1-hidden layer NN $h^{(1,m,d)}: \mathbb{R}^d \rightarrow \mathbb{R}^d$ for $m \in \mathbb{N}$ even that folds the input space, mapping m^d many small cubes $W_{i_1, \dots, i_d}^{(1,m,d)} \subset [0, 1]^d$ by scaling and mirroring to $[0, 1]^d$. More precisely, the NN $h^{(1,m,d)}$ has $m \cdot d$ many neurons in the single hidden layer, who are partitioned into m groups. The weights are chosen such that the output of the neurons in one group depends only on one input variable and divides the interval $[0, 1]$ into m subintervals of equal length, each of which is then mapped to the unit interval $[0, 1]$ by the output neuron. Figure 2 illustrates this construction. In Appendix 5.2.1 or in Montúfar et al. [2014], the reader can find an explicit construction of $h^{(1,m,d)}$.

The map $h^{(1,m,d)}$ identifies only $O(m^d)$ many cubes with each other. To subdivide the input space into exponentially many cubes and map them to the unit cube, we need a deep neural network. For this purpose, we utilize a vector \mathbf{m} of folding factors instead of a single number m . Let $\mathbf{m} = (m_1, \dots, m_L) \in \mathbb{N}^L$ with m_ℓ even for all $\ell \in [L]$ and define the neural network $h^{(L,\mathbf{m},d)}$ with L hidden layers as $h^{(L,\mathbf{m},d)} = h^{(1,m_L,d)} \circ \dots \circ h^{(1,m_1,d)}$. Since each of the m_1^d cubes that results from the subdivision by the first layer is mapped back to $[0, 1]^d$, each cube is subdivided again into m_2^d cubes by the subsequent layer. Thus, after L such layers, we obtain a subdivision of the input space into $\left(\prod_{\ell=1}^L m_\ell\right)^d$ cubes.

In the following, we define variables that are fixed but arbitrary: $L \in \mathbb{N}$, $\mathbf{m} = (m_1, \dots, m_L) \in \mathbb{N}^L$ and $M = \left(\prod_{\ell=1}^L m_\ell\right)$ with $m_\ell > 1$ even for all $\ell \in [L]$. The following lemma states that $h^{(L,\mathbf{m},d)}$ actually enjoys the aforementioned properties.

Lemma 5. (cf. [Montúfar et al., 2014]) Let $d \in \mathbb{N}$, then:

1. $h^{(L,\mathbf{m},d)}(W_{(i_1, \dots, i_d)}^{(L,\mathbf{m},d)}) = [0, 1]^d$
2. $\pi_j \circ h_{|W_{(i_1, \dots, i_d)}^{(L,\mathbf{m},d)}}^{(L,\mathbf{m},d)}(x_1, \dots, x_d) = \begin{cases} M \cdot x_j - (i_j - 1) & i_j \text{ odd} \\ -M \cdot x_j + i_j & i_j \text{ even} \end{cases}$

for all $(i_1, \dots, i_d) \in [M]^d$.

We now define cutting points as the points that are mapped to the point $(1, 1, 1, \dots, 1, 0)$ by the map $h^{(L,\mathbf{m},d)}$ since they will play a central role in counting the annuli in the sublevel set of F .

Definition 6. We call a point $x \in [0, 1]^d$ a cutting point if it has coordinates of the form $x_i = \frac{x'_i}{M}$ for all $i \in \{1, \dots, d\}$, where the x'_i are odd integers for $1 \leq i \leq d-1$ and x'_d is an even integer.

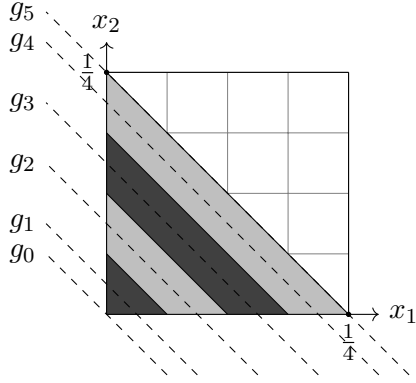


Figure 3: Illustration of the preimage of the map $\hat{g}^{(4,2)}$ in $[0, \frac{1}{4}]^2$, where the darkgray regions correspond to $\hat{g}^{-1}((0, \infty))$ and the lightgray regions to $\hat{g}^{-1}((-\infty, 0))$.

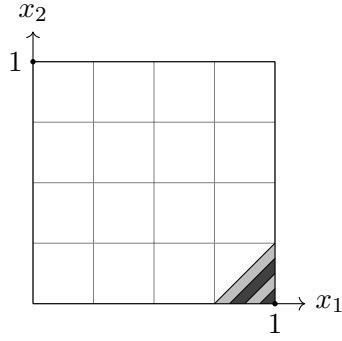


Figure 4: Illustration of the preimage of the map $g^{(4,2)}$ in $[0, 1]^2$.

Next, for $w \geq 2$, we build a 1-hidden layer neural network $\hat{g}^{(w,d)}: \mathbb{R}^d \rightarrow \mathbb{R}$ that cuts the d -dimensional unit cube into w pieces such that $\hat{g}^{(w,d)}$ maps the pieces alternately to $\mathbb{R}_{\geq 0}$ and $\mathbb{R}_{\leq 0}$, respectively. We omit the indices w and d whenever they are clear from the context.

In order to build the neural network, we fix w and d and define the maps $\hat{g}_q: \mathbb{R}^d \rightarrow \mathbb{R}$, $q = 0, \dots, w+1$ by

$$\hat{g}_q(x) = \begin{cases} \max\{0, \mathbf{1}^T x\} & q = 0 \\ \max\{0, \mathbf{1}^T x - \frac{1}{4}\} & q = w + 1 \\ \max\{0, 2(\mathbf{1}^T x - (2q - 1)/8w)\} & \text{else} \end{cases}$$

Later in this section, we will iteratively construct k -annuli in the sublevel set of F for all $k \in [d-1]$. In order to ensure that these annuli are disjoint, it is convenient to place them around the cutting points. To achieve this, we mirror the map \hat{g} before precomposing it with h . The mirroring transformation that maps the origin to the point $(1, \dots, 1, 0)$ is an affine map $t: [0, 1]^d \rightarrow [0, 1]^d$ defined by $t(x_1, x_2, \dots, x_d) = (1 - x_1, 1 - x_2, \dots, 1 - x_{d-1}, x_d)$. We define the neural network $g = \hat{g} \circ t$ as the consecutive execution of \hat{g} and t .

Lemma 7. *Let $d, w \in \mathbb{N}$ with w odd and*

$$R_q = \{x \in [0, 1]^d : \frac{q}{4w} < \|(1, 1, \dots, 1, 0) - x\|_1 < \frac{q+1}{4w}\}.$$

Then there exists a 1-hidden layer neural network $g^{(w,d)}: \mathbb{R}^d \rightarrow \mathbb{R}$ of width $w+2$ such that $g^{(w,d)}(R_q) \subseteq (-\infty, 0)$ for all odd $q \in [w-1]_0$, $g^{(w,d)}(R_q) \subseteq (0, \infty)$ for all even $q \in [w-1]_0$ and $g^{(w,d)}(x) = 0$ for all $x \in [0, 1]^d$ with $\|(1, 1, \dots, 1, 0) - x\|_1 \geq \frac{1}{4}$.

Lemma 31 in the appendix characterizes the regions around cutting points that admit positive respectively negative values under the map $g^{(w,d)} \circ h^{(L, \mathbf{m}, d)}$. We focus on the regions that admit negative values, i.e., the space $Y_{d,w} := (g^{(w,d)} \circ h^{(L, \mathbf{m}, d)})^{-1}((-\infty, 0))$ and observe that we obtain d -dimensional $(d-1)$ -annuli around each cutting point.

Combining Lemma 31 and further observations about the number of cutting points (cf. Observation 32 in the appendix), we can finally describe $Y_{d,w}$ as a topological space.

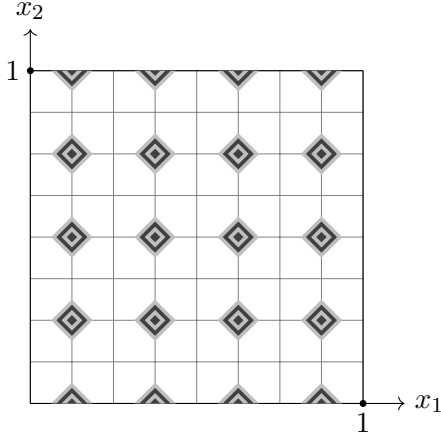


Figure 5: Illustration of the preimage of the composition $g^{(4,2)} \circ h^{(3,2,2)}$.

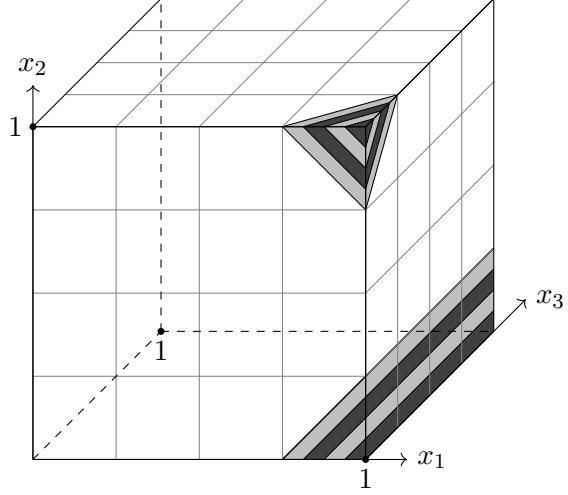


Figure 6: Illustration of the preimage of $f^{(4,4)} = g^{(4,3)} + g^{(4,2)} \circ p_2$.

Proposition 8. *The space $Y_{d,w}$ is homeomorphic to the disjoint union of $p_d = \frac{M^{(d-1)}}{2^{d-1}} \cdot \left(\frac{M}{2} - 1\right) \cdot \lceil \frac{w}{2} \rceil$ many $(d-1)$ -annuli and $p'_d = \frac{M^{(d-1)}}{2^{d-2}} \cdot \lceil \frac{w}{2} \rceil$ many disks, that is,*

$$Y_{d,w} \cong \coprod_{k=1}^{p_d} (S^{d-1} \times [0, 1]) \sqcup \coprod_{k=1}^{p'_d} D^d.$$

In order to obtain exponentially many k -annuli for all $k \in [d-1]$, we follow a recursive approach: At each step, we start with a k -dimensional space that has exponentially many j -annuli for all $j \in [k-1]$. We then cross this space with the interval $[0, 1]$, transforming the k -dimensional j -annuli into $(k+1)$ -dimensional j -annuli. Finally, we “carve” $(k+1)$ -dimensional k -annuli in this newly formed product space. To allow us flexibility with respect to the numbers of annuli carved in different dimensions, we fix an arbitrary vector $\mathbf{w} = (w_1, \dots, w_{d-1}) \in \mathbb{N}^{d-1}$ such that $\sum_{i=1}^{d-1} (w_i + 2) = n_{L+1}$. We iteratively define the 1-hidden layer neural network $f^{(w_1, \dots, w_{k-1})} : \mathbb{R}^k \rightarrow \mathbb{R}$ of width n_{L+1} by $f^{(w_1)} = g^{(w_1, 2)}$ and

$$f^{(w_1, \dots, w_{k-1})} = f^{(w_1, \dots, w_{k-2})} \circ p_{k-1} + g^{(w_{k-1}, k)}$$

for $k \leq d$. Roughly speaking, the following lemma states that the carving map does not interfere with the other maps, i.e., there is enough space in the unit cubes to place the k -annuli after having placed all k' -annuli ($k' < k$) in the same, inductive manner.

Lemma 9. *For $k \leq d$ and $\mathbf{w} = (w_1, \dots, w_{d-1}) \in \mathbb{N}^{d-1}$ it holds that*

1. $f^{(w_1, \dots, w_{k-2})} \circ p_{k-1}(x) \neq 0 \implies g^{(w_{k-1}, k)}(x) = 0$ and
2. $g^{(w_{k-1}, k)}(x) \neq 0 \implies f^{(w_1, \dots, w_{k-2})} \circ p_{k-1}(x) = 0$

for all $x \in [0, 1]^k$.

Using Lemma 9 and the fact that the folding maps $h^{(L, \mathbf{m}, k)}$ are compatible with projections (cf. Lemma 33 in Appendix), we can make sure that we can construct the cuts iteratively so that we obtain k -annuli for every $k \in [d-1]$, which is stated in the following lemma.

Lemma 10. For $2 \leq k \leq d$, the space $X_k := (f^{(w_1, \dots, w_{k-1})} \circ h^{(L, \mathbf{m}, k)})^{-1}((-\infty, 0))$ satisfies

$$X_k = (X_{k-1} \times [0, 1]) \sqcup Y_{k, w_{k-1}}$$

with $X_1 := \emptyset$.

Lemma 10, Proposition 8 and the disjoint union axiom (Proposition 23 in Appendix 5.1.2) allow us to compute the Betti numbers of the decision region of $F := f^{(w_1, \dots, w_{d-1})} \circ h^{(L, \mathbf{m}, d)}$ as stated in Theorem 35 in the appendix. One can easily generalize this statement by rounding down the widths n_1, \dots, n_L to the nearest even multiple of d :

Theorem 11. Given an architecture $A = (d, n_1, \dots, n_L, 1)$ with $n_\ell \geq 2d$ for all $\ell \in [L]$ and numbers $w_1, \dots, w_{d-1} \in \mathbb{N}$ such that $\sum_{k=1}^{d-1} (w_k + 2) = n_L$, there is a neural network $F \in \mathcal{F}_A$ such that

$$(i) \quad \beta_0(F^{-1}((-\infty, 0))) = \sum_{k=2}^d \frac{M^{(k-1)}}{2^{k-1}} \cdot \left(\frac{M}{2} + 1\right) \cdot \left\lceil \frac{w_k}{2} \right\rceil$$

$$(ii) \quad \beta_k(F^{-1}((-\infty, 0))) = \frac{M^{(k-1)}}{2^{k-1}} \cdot \left(\frac{M}{2} - 1\right) \cdot \left\lceil \frac{w_{k-1}}{2} \right\rceil \quad \text{for } 0 < k < d,$$

where $M = \prod_{\ell=1}^{L-1} 2 \cdot \lfloor \frac{n_\ell}{2d} \rfloor$.

In Appendix 5.2.7 we modify the construction slightly by adding a small constant b to the output layer, such that we obtain in Theorem 36 the same lower bounds for $\beta_k(F) = \beta_k(F^{-1}((-\infty, 0]))$. The special case $\lfloor \frac{w_1}{2} \rfloor = \dots = \lfloor \frac{w_d}{2} \rfloor$ then corresponds precisely to Corollary 2.

In order to obtain the lower bound we choose the weights explicitly, but the construction is robust to small perturbations. Basically this relies on the fact that since we have finitely many linear regions and no hyperplanes of non-linearity introduced at different applications of the ReLU function that coincide, one can perturb the weights slightly, such that the combinatorial structure of the polyhedral complex is preserved. From this we easily conclude the maintenance of the existence of all the annuli. In fact, if we denote by $\Phi: \mathbb{R}^D \rightarrow \mathcal{C}(\mathbb{R}^d)$ the map that assigns a vector of weights to the function computed by the ReLU neural network with this weights, in Section 5.3 we prove the following:

Proposition 12. There is an open set $U \subseteq \mathbb{R}^D$ in the parameter space of the architecture $A = (d, n_1, \dots, n_L, 1)$ such that $\Phi(u)$ restricted to the unit cube has at least the same topological expressivity as F in Theorem 36 for all $u \in U$.

As mentioned previously, the sum of Betti numbers, the notion of topological expressivity used in Bianchini and Scarselli [2014], does not provide us with an understanding of holes of different dimensions. On the other hand, our bounds are clearly an extension of this result. In addition, the dimension-wise lower bound allows further implications, one of them being a lower bound on the Euler characteristic, which is the alternating sum $\chi(X) = \sum_{k=1}^d \beta_k(X)$ of the Betti numbers.

Corollary 13. Let A be the architecture as in Theorem 36, then there is a ReLU NN $F: \mathbb{R}^d \mapsto \mathbb{R}$ with architecture A such that $\chi(F^{-1}((-\infty, 0])) \in \Omega\left(M^d \cdot \sum_{i=1}^{d-1} w_i\right)$, where $\chi(F^{-1}((-\infty, 0]))$ denotes the Euler characteristic of the space $F^{-1}((-\infty, 0])$.

3 Upper Bound

In this section we derive an upper bound for $\beta_k(F)$ for a ReLU neural network $F: \mathbb{R}^d \rightarrow \mathbb{R}$ for all $k \in [d-1]$, showing that they are polynomially bounded in the width using an upper bound on the linear regions of F . A linear region R of F contains at most one maximal convex polyhedral subspace where F takes on exclusively non-negative function values. Intuitively, every such polyhedral subspace can be in the interior of at most one d -dimensional hole of the sublevel set $F^{-1}((-\infty, 0])$ and thus the number of linear regions is an upper bound for $\beta_{d-1}(F)$. In the following proposition we will formalize this intuition and generalize it to $\beta_k(F)$ for all $k \in [d-1]_0$.

Proposition 14. *Let $F: \mathbb{R}^d \rightarrow \mathbb{R}$ be a neural network of architecture $(d, n_1, \dots, n_L, 1)$. Then it holds that $\beta_0(F) \leq \sum_{(j_1, \dots, j_L) \in J} \prod_{\ell=1}^L \binom{n_\ell}{j_\ell}$ and for all $k \in [d-1]$ that*

$$\beta_k(F) \leq \left(\sum_{(j_1, \dots, j_L) \in J} \frac{\prod_{\ell=1}^L \binom{n_\ell}{j_\ell}}{d - k - s} \right),$$

where $J = \{(j_1, \dots, j_L) \in \mathbb{Z}^L : 0 \leq j_\ell \leq \min\{d, n_1 - j_1, \dots, n_{\ell-1} - j_{\ell-1}\} \text{ for all } \ell = 1, \dots, L\}$ and $s \in [d]$ is the dimension of the lineality space of a refinement of the canonical polyhedral complex of F .

Proof sketch. Theorem 1 in [Serra et al., 2017] states that F has at most $r := \sum_{(j_1, \dots, j_L) \in J} \prod_{l=1}^L \binom{n_l}{j_l}$ linear regions. In Section 5.4 we will provide a formal proof for the statement that we sketch here. Let \mathcal{P} be the canonical polyhedral complex of F , i.e, F is affine linear on all polyhedra in \mathcal{P} (c.f Definition 38 in the appendix) and \mathcal{P}^- be a subcomplex of a refinement of \mathcal{P} such that F takes on exclusively non-positive values on all polyhedra in \mathcal{P}^- . Therefore, the support $|\mathcal{P}^-|$ of \mathcal{P}^- equals $F^{-1}((-\infty, 0])$ and we then proceed by showing the chain of inequalities

$$\beta_k(F) = \beta_k(|\mathcal{P}^-|) \leq \#\mathcal{P}_{k+1-\ell} \leq \binom{r}{d - k - \ell}$$

using cellular homology and polyhedral geometry, where $\mathcal{P}_{k+1} \subseteq \mathcal{P}$ is the set of $(k+1)$ -dimensional polyhedra in \mathcal{P} . This concludes the proof, since it also holds that $\beta_0(|\mathcal{P}^-|) \leq \#\mathcal{P}_d = r$. □

This implies that we obtain an upper bound that is polynomial in the width:

Corollary 4. *Let $F: \mathbb{R}^d \rightarrow \mathbb{R}$ be a neural network of architecture $(d, n_1, \dots, n_L, 1)$. Then it holds that $\beta_k(F) \in O\left(\left(\prod_{i=1}^L n_i\right)^{d^2}\right)$ for $k \in [d-2]$ and $\beta_0, \beta_{d-1} \in O\left(\left(\prod_{i=1}^L n_i\right)^d\right)$.*

4 Conclusion, Limitations and Outlook

Since it is widely accepted that data sets often have nontrivial topologies, investigating a neural network's ability to capture topological properties, as characterized by all Betti numbers, is an exciting and essential question that yields insight into the nature of ReLU networks. In an attempt to shed light on this question, we proved lower and upper bounds for the topological expressivity of ReLU neural networks with a given architecture. Our bounds give a rough estimate on how the architecture needs to be in order to be at least theoretically able to capture the topological complexity of the data set in these dimensions; in particular, in the first few dimensions where Betti numbers are computable in practice.

As a byproduct of our analysis we saw that two hidden layers are sufficient to increase the topological expressivity as much as we want at the expense of an increased width. Even though Betti numbers are a common complexity measure for topological spaces in data analysis, they only provide a coarse classification, i.e., two spaces can have the same Betti numbers but still look very different. Although there are finer topological invariants such as cohomology rings or homotopy groups, from a computational point of view, Betti numbers are a good trade-off between the ability to capture differences of spaces and tractability. Nevertheless, it might be interesting to find further topological or geometrical invariants to investigate the expressivity of neural networks in the setting of classification tasks.

Even though our lower bounds apply under certain restrictions of neural network architecture, this does not pose a big limitation for our purposes. Since our results are of a theoretical and mostly asymptotic nature, a constant factor (in the hidden layers resp. in the last hidden layer) is negligible. Besides, since our layers merely consists of many small layers put in parallel, one could also concatenate the layers in order to achieve a smaller width maintaining all the asymptotic results.

It seems straightforward that the construction in Section 2 can be adapted to neural networks with sigmoidal activation functions in a “smoothed” way. Therefore we conjecture that the same lower bound holds for the topological expressivity of neural networks with sigmoidal activation function, which would generalise the lower bound for the zeroth Betti number given in [Bianchini and Scarselli \[2014\]](#) to all Betti numbers.

Acknowledgements The authors would like to thank Christoph Hertrich and Martin Skutella for many valuable discussions and their careful proofreading. Moreover, we thank the various anonymous referees for their remarks.

References

- Raman Arora, Amitabh Basu, Poorya Mianjy, and Anirbit Mukherjee. Understanding deep neural networks with rectified linear units. In *6th International Conference on Learning Representations, ICLR 2018, Vancouver, BC, Canada, April 30 - May 3, 2018, Conference Track Proceedings*. OpenReview.net, 2018. URL https://openreview.net/forum?id=B1J_rgWRW.
- Ronen Basri and David W. Jacobs. Efficient representation of low-dimensional manifolds using deep networks. In *5th International Conference on Learning Representations, ICLR 2017, Toulon, France, April 24-26, 2017, Conference Track Proceedings*. OpenReview.net, 2017. URL <https://openreview.net/forum?id=BJ3filK1l>.
- Monica Bianchini and Franco Scarselli. On the complexity of shallow and deep neural network classifiers. In *The European Symposium on Artificial Neural Networks*, 2014.
- George V. Cybenko. Approximation by superpositions of a sigmoidal function. *Mathematics of Control, Signals and Systems*, 2:303–314, 1989.
- Tamal Krishna Dey and Yusu Wang. *Complexes and Homology Groups*, page 26–59. Cambridge University Press, 2022. doi: 10.1017/9781009099950.003.
- Ronen Eldan and Ohad Shamir. The power of depth for feedforward neural networks. In Vitaly Feldman, Alexander Rakhlin, and Ohad Shamir, editors, *29th Annual Conference on Learning Theory*, volume 49 of *Proceedings of Machine Learning Research*, pages 907–940,

- Columbia University, New York, New York, USA, 23–26 Jun 2016. PMLR. URL <https://proceedings.mlr.press/v49/eldan16.html>.
- Alhussein Fawzi, Seyed-Mohsen Moosavi-Dezfooli, Pascal Frossard, and Stefano Soatto. Empirical study of the topology and geometry of deep networks. In *2018 IEEE/CVF Conference on Computer Vision and Pattern Recognition*, pages 3762–3770, 2018. doi: 10.1109/CVPR.2018.00396.
- Xavier Glorot, Antoine Bordes, and Yoshua Bengio. Deep sparse rectifier neural networks. In Geoffrey Gordon, David Dunson, and Miroslav Dudík, editors, *Proceedings of the Fourteenth International Conference on Artificial Intelligence and Statistics*, volume 15 of *Proceedings of Machine Learning Research*, pages 315–323, Fort Lauderdale, FL, USA, 11–13 Apr 2011. PMLR. URL <https://proceedings.mlr.press/v15/glorot11a.html>.
- Ian J. Goodfellow, Yoshua Bengio, and Aaron Courville. *Deep Learning*. MIT Press, Cambridge, MA, USA, 2016. <http://www.deeplearningbook.org>.
- J Elisenda Grigsby and Kathryn Lindsey. On transversality of bent hyperplane arrangements and the topological expressiveness of relu neural networks. *SIAM Journal on Applied Algebra and Geometry*, 6(2), 2022.
- J. Elisenda Grigsby, Kathryn Lindsey, and Marissa Masden. Local and global topological complexity measures of relu neural network functions, 2022.
- William H. Guss and Ruslan Salakhutdinov. On characterizing the capacity of neural networks using algebraic topology, 2018. URL <https://arxiv.org/abs/1802.04443>.
- Christian Haase, Christoph Hertrich, and Georg Loho. Lower bounds on the depth of integral relu neural networks via lattice polytopes, 2023.
- Mustafa Hajij and Kyle Istvan. A topological framework for deep learning, 2020. URL <https://arxiv.org/abs/2008.13697>.
- Allen Hatcher. *Algebraic topology*. Cambridge University Press, Cambridge, 2002. ISBN 0-521-79160-X; 0-521-79540-0.
- Christoph Hertrich, Amitabh Basu, Marco Di Summa, and Martin Skutella. Towards lower bounds on the depth of reLU neural networks. In A. Beygelzimer, Y. Dauphin, P. Liang, and J. Wortman Vaughan, editors, *Advances in Neural Information Processing Systems*, 2021. URL <https://openreview.net/forum?id=00WwNh-4in1>.
- Kurt Hornik. Approximation capabilities of multilayer feedforward networks. *Neural Networks*, 4:251–257, 1991.
- Joey Huchette, Gonzalo Muñoz, Thiago Serra, and Calvin Tsay. When deep learning meets polyhedral theory: A survey, 2023.
- Weizhi Li, Gautam Dasarathy, Karthikeyan Natesan Ramamurthy, and Visar Berisha. Finding the homology of decision boundaries with active learning. In H. Larochelle, M. Ranzato, R. Hadsell, M.F. Balcan, and H. Lin, editors, *Advances in Neural Information Processing Systems*, volume 33, page 8355–8365. Curran Associates, Inc., 2020. URL https://proceedings.neurips.cc/paper_files/paper/2020/file/5f14615696649541a025d3d0f8e0447f-Paper.pdf.

- Luciano Melodia and Richard Lenz. Estimate of the neural network dimension using algebraic topology and lie theory. In Alberto Del Bimbo, Rita Cucchiara, Stan Sclaroff, Giovanni Maria Farinella, Tao Mei, Marco Bertini, Hugo Jair Escalante, and Roberto Vezzani, editors, *Pattern Recognition. ICPR International Workshops and Challenges - Virtual Event, January 10-15, 2021, Proceedings, Part V*, volume 12665 of *Lecture Notes in Computer Science*, pages 15–29. Springer, 2020. doi: 10.1007/978-3-030-68821-9_2. URL https://doi.org/10.1007/978-3-030-68821-9_2.
- Guido Montufar. Notes on the number of linear regions of deep neural networks. 03 2017.
- Guido Montúfar, Razvan Pascanu, Kyunghyun Cho, and Yoshua Bengio. On the number of linear regions of deep neural networks. In *Proceedings of the 27th International Conference on Neural Information Processing Systems - Volume 2*, NIPS’14, page 2924–2932, Cambridge, MA, USA, 2014. MIT Press.
- Gregory Naitzat, Andrey Zhitnikov, and Lek-Heng Lim. Topology of deep neural networks. *Journal of Machine Learning Research*, 21(184):1–40, 2020. URL <http://jmlr.org/papers/v21/20-345.html>.
- Quynh Nguyen, Mahesh Chandra Mukkamala, and Matthias Hein. Neural networks should be wide enough to learn disconnected decision regions. In Jennifer Dy and Andreas Krause, editors, *Proceedings of the 35th International Conference on Machine Learning*, volume 80 of *Proceedings of Machine Learning Research*, pages 3740–3749. PMLR, 10–15 Jul 2018. URL <https://proceedings.mlr.press/v80/nguyen18b.html>.
- Giovanni Petri and António Leitão. On the topological expressive power of neural networks. In *TDA & Beyond*, 2020. URL <https://openreview.net/forum?id=I44kJPuvqPD>.
- Alexander Schrijver. Theory of linear and integer programming. In *Wiley-Interscience series in discrete mathematics and optimization*, 1986.
- Thiago Serra, Christian Tjandraatmadja, and Srikumar Ramalingam. Bounding and counting linear regions of deep neural networks. *CoRR*, abs/1711.02114, 2017. URL <http://arxiv.org/abs/1711.02114>.
- Matus Telgarsky. Benefits of depth in neural networks. In Vitaly Feldman, Alexander Rakhlin, and Ohad Shamir, editors, *29th Annual Conference on Learning Theory*, volume 49 of *Proceedings of Machine Learning Research*, pages 1517–1539, Columbia University, New York, New York, USA, 23–26 Jun 2016. PMLR. URL <https://proceedings.mlr.press/v49/telgarsky16.html>.

5 Appendix

5.1 Mathematical Background

5.1.1 Polyhedral Geometry

In this section we recall the definition of a polyhedral complex and introduce some notation related to them. For an introduction to polyhedra, we refer to [Schrijver \[1986\]](#). Furthermore, we prove two lemmata that we apply in Section 5.3.

Definition 15 (Polyhedral complex). *A collection of polyhedra \mathcal{P} is called a polyhedral complex if*

1. *Every face F of any polyhedra $P \in \mathcal{P}$ is also in \mathcal{P} and*
2. *it holds that $P \cap Q \in \mathcal{P}$ for all $P, Q \in \mathcal{P}$.*

There is a poset structure given on \mathcal{P} by $Q \preceq P : \iff Q$ is a face of P and we call (\mathcal{P}, \preceq) the face poset of the polyhedral complex. Furthermore we denote \mathcal{P}_k the set of k -dimensional polyhedra in \mathcal{P} and by $\text{sk}_k(\mathcal{P})$ the k -skeleton of \mathcal{P} . Note that for any polyhedron, the set of all its faces forms a polyhedral complex.

Definition 16 (Isomorphisms of polyhedral complexes and polytopes). *Let \mathcal{P} and \mathcal{Q} be polyhedral complexes. A map $\varphi: \mathcal{P} \rightarrow \mathcal{Q}$ is called an isomorphism if it is an isomorphism of the face posets of \mathcal{P} and \mathcal{Q} and it holds that $\dim(\varphi(P)) = \dim(P)$ for all $P \in \mathcal{P}$.*

If P and Q are polytopes we call a map $\varphi: P \rightarrow Q$ an isomorphism if it is an isomorphism when considering P and Q as polyhedral complexes.

Definition 17. *We call $\varphi: \mathcal{P} \rightarrow \mathcal{Q}$ an ε -isomorphism if it is an isomorphism (of polyhedral complexes) and it holds that $\|\varphi(v) - v\|_2 < \varepsilon$ for all $v \in \mathcal{P}_0$.*

Definition 18. *Let $x \mapsto a^T x + b$ be an affine linear map and $H(a, b) := \{x \in \mathbb{R}^d \mid a^T x + b = 0\}$ the hyperplane given by the kernel. Then we denote the corresponding half-spaces by*

$$H^1(a, b) := \{x \in \mathbb{R}^d \mid a^T x \geq b\},$$

$$H^{-1}(a, b) := \{x \in \mathbb{R}^d \mid a^T x \leq b\}.$$

We will also use the notation $H^0(a, b) := H(a, b)$. We will simply write H^s for $H^s(a, b)$ whenever a and b are clear from the context.

Lemma 19. *Let $P \subseteq \mathbb{R}^d$ be a polytope, $a \in \mathbb{R}^d$ and $b \in \mathbb{R}$ such that $P_0 \cap H(a, b) = \emptyset$. Then for all $\varepsilon > 0$, there is a $\delta > 0$ such that for all $(a', b') \in B_\delta^{d+1}((a, b))$ there are ε -isomorphisms*

$$\psi^s: P \cap H^s(a, b) \rightarrow P \cap H^s(a', b')$$

for $s \in \{-1, 0, 1\}$, and it holds that $P_0 \cap H(a', b') = \emptyset$.

Proof. Let $e \in P_1$ and $\mathbb{R}_e := \text{Aff}(e)$ be the affine space spanned by e . First, assume that $\mathbb{R}_e \cap H(a, b) \neq \emptyset$. Since $H(a, b) \cap P_0 = \emptyset$ we know that $\mathbb{R}_e \cap H(a, b) = \{v_e^{(a,b)}\}$ with $v_e^{(a,b)} \in e^\circ$ or $v_e^{(a,b)} \in \mathbb{R}_e \setminus e$, where e° denotes the relative interior of e . Let

$$\varepsilon_e := \begin{cases} \min\{\varepsilon, \frac{1}{2} \inf_{y \in e^\circ} \|y - v_e^{(a,b)}\|_\infty\} & v_e^{(a,b)} \in e^\circ \\ \min\{\varepsilon, \frac{1}{2} \inf_{y \in \mathbb{R}_e \setminus e} \|y - v_e^{(a,b)}\|_\infty\} & v_e^{(a,b)} \in \mathbb{R}_e \setminus e \end{cases}$$

It is easily verified that the map $(c, d) \mapsto H(c, d) \cap \mathbb{R}_e$ is locally continuous around (a, b) and hence there is a $\delta_e > 0$ such that $\|(a, b) - (a', b')\| < \delta_e$ implies that $\|v_e^{(a,b)} - v_e^{(a',b')}\|_\infty < \varepsilon_e$ for all $e \in P_1$. On the other hand, if $\mathbb{R}_e \cap H(a, b) = \emptyset$, then there is a $\delta_e > 0$ such that $e^\circ \cap H(a', b') = \emptyset$. Let $\delta := \min_{e \in P_1} \delta_e$. Note that $(P \cap H(a, b))_0 = \{v_e^{(a,b)} \mid v_e^{(a,b)} \in e^\circ\}$ and $(P \cap H(a', b'))_0 = \{v_e^{(a',b')} \mid v_e^{(a',b')} \in e^\circ\}$ and hence $f(v_e^{(a,b)}) := v_e^{(a',b')}$ defines a bijection $f: (P \cap H)_0 \rightarrow (P \cap H')_0$ for $(a', b') \in B_\delta^{d+1}((a, b))$. Let F be a face of $P \cap H(a, b)$, then $F = F' \cap H(a, b)$ for some face F' of P and furthermore $F = \text{conv}(\{v_e^{(a,b)} \cap e \mid e \preceq F\})$. It now easily follows by induction on the dimension of the face F that F is isomorphic to $\text{conv}(\{v_e^{(a',b')} \cap e \mid e \preceq F\})$ and therefore in particular that $P \cap H(a, b)$ is isomorphic to $P \cap H(a', b')$. We can extend f to a bijection $f: (P \cap H^s(a, b))_0 \rightarrow (P \cap H^s(a', b'))_0$ by $f(v) = v$ for all $v \in P_0 \cap H^s(a, b)$ and by the same arguments we obtain that $P \cap H^s(a, b)$ is isomorphic to $P \cap H^s(a', b')$ for $s \in \{-1, 1\}$. \square

Lemma 20. *Let $P \subseteq \mathbb{R}^d$ be a polytope and let $H = \{x \in \mathbb{R}^d \mid a^T x = b\}$ be a hyperplane. If $P_0 \cap H = \emptyset$ then for all $\varepsilon > 0$ there is a $\delta > 0$ such that for all polytopes $Q \subseteq \mathbb{R}^d$ with δ -isomorphisms $\varphi: P \rightarrow Q$ there are ε -isomorphisms*

$$\gamma^s: P \cap H^s \rightarrow Q \cap H^s$$

for $s \in \{-1, 0, 1\}$ and furthermore it holds that $Q_0 \cap H = \emptyset$.

Proof. Let $e \in P_1$ and let $\partial e = \{u, v\}$. We adopt the notation $e = uv$ and define

$$\delta_e := \min\left\{\varepsilon, \frac{1}{2} \inf_{y \in H} \|y - v\|_\infty, \frac{1}{2} \inf_{y \in H} \|y - u\|_\infty\right\}$$

and $\delta := \min_{e \in P_1} \delta_e$. Since $P_0 \cap H = \emptyset$ it holds that $\delta > 0$. Let $\varphi: P \rightarrow Q$ be a δ -isomorphism. Then it holds $H \cap uv = \{v_e\} \neq \emptyset$ if and only if $H \cap \varphi(u)\varphi(v) = \{v_{\varphi(e)}\} \neq \emptyset$. Note that $(P \cap H)_0 = \{v_e \mid H \cap e \neq \emptyset\}$ and $(Q \cap H)_0 = \{v_{\varphi(e)} \mid H \cap \varphi(e) \neq \emptyset\}$ and hence $f(v_e) := v_{\varphi(e)}$ defines a bijection $f: (P \cap H)_0 \rightarrow (Q \cap H)_0$. The remainder of the proof follows analogously to the proof of Lemma 19. \square

5.1.2 Topology

In the following, we summarize background knowledge necessary for our purposes that the reader may not have been acquainted with. The content of this subsection can also be found in many algebraic topology textbooks such as [Hatcher \[2002, Chapter 2\]](#).

First, we recall two well-known constructions in topology that yield well-behaved, yet more complex topological spaces.

Definition 21. *For two topological spaces X and Y , the space $X \sqcup Y$ denotes the disjoint union of X and Y endowed with the disjoint union topology. Similarly for an arbitrary index set I , the set $\bigsqcup_{i \in I} X_i$ denotes the disjoint union of the topological spaces X_i for $i \in I$. If I is a finite set, i.e., $I = \{1, \dots, q\}$ for a suitable $q \in \mathbb{N}$, we also denote this space by $\bigsqcup_{i=1}^q X_i$.*

We also create *product spaces*: For two topological spaces X and Y , the product space is the Cartesian product $X \times Y$ endowed with the product topology. Even though it is possible to extend this definition to infinite families of topological spaces as well, this will not be needed for our purposes.

To relate topological spaces X, Y with each other, one often defines *maps*, i.e., continuous functions $f: X \rightarrow Y$, and investigates properties of such maps. In our work, we use the following special cases of maps:

Definition 22. Let X, Y be topological spaces.

- (i) A map $f: X \rightarrow Y$ is called a *homeomorphism* if it is open and bijective. In this case, we call X and Y *homeomorphic*.
- (ii) A map $F: X \times [0, 1] \rightarrow Y$ is a *homotopy* between functions $f: X \rightarrow Y$ and $g: X \rightarrow Y$ if $F(x, 0) = f(x)$ and $F(x, 1) = g(x)$ for all $x \in X$. In this case, the maps f and g are called *homotopic*, denoted by $f \sim g$.
- (iii) A map $f: X \rightarrow Y$ is a *homotopy equivalence* if there exists a map $g: Y \rightarrow X$ such that $g \circ f$ resp. $f \circ g$ are homotopic to id_X resp. id_Y . The spaces X and Y are called *homotopy equivalent* in this case.
- (iv) Let $A \subseteq X$ be a subspace of X . A map $r: X \rightarrow A$ is called a *retraction* if $r(a) = a$ for all $a \in A$.
- (v) A homotopy between a retraction $r: X \rightarrow A$ (or more precisely, a map $r: X \rightarrow X$ with $r(X) \subseteq A$ and $r|_A = \text{id}_A$) and the identity map id_X is called a *deformation retraction*.

Next, we introduce the notion of homology by giving a sketch of the construction of homology groups.

Let X be a topological space and

$$\Delta_n = \left\{ \sum_{i=0}^n \theta_i x_i : x \in \mathbb{R}^n, \sum_{i=0}^n \theta_i = 1, \theta_i \geq 0 \text{ for all } i = 0, \dots, n \right\}$$

denote the standard n -simplex. Note that the standard n -simplex is the convex combination of $n + 1$ points $\{p_0, \dots, p_n\}$. Taking the convex combination of an n -subset $\{p_0, \dots, p_n\} \setminus \{p_i\}$ of these points, one obtains a subspace homeomorphic to the standard $n - 1$ -simplex, which we call an i -th n -face of the simplex.

The \mathbb{Z} -module C_n , the group of n -chains, is defined as the free abelian group generated by continuous maps $\sigma: \Delta_n \rightarrow X$, called *simplices*. The inclusion $\iota_i: \Delta_{n-1} \hookrightarrow \Delta_n$ induces $n - 1$ -simplices $\sigma_i := \sigma \circ \iota_i: \Delta_{n-1} \rightarrow X$ by the inclusion of the i -th n -face into the standard simplex.

The map $\partial_n: C_n \rightarrow C_{n-1}$, which we call the *boundary map*, is constructed as $\sigma \mapsto \sum_{i=1}^n (-1)^i \sigma_i$ on the generators and by linear extension elsewhere. This yields a *chain complex*

$$\dots \rightarrow C_{n+1} \xrightarrow{\partial_{n+1}} C_n \xrightarrow{\partial_n} C_{n-1} \rightarrow \dots,$$

where we have $\partial_{n-1} \circ \partial_n = 0$ for all n . Therefore, we can define the n -th *singular homology group* as

$$H_n(X) := \ker(\partial_n) / \text{im}(\partial_{n+1}).$$

We list some well-known properties of (singular) homology groups that will be used in our constructions.

Proposition 23. Let $n \in \mathbb{N}$.

1. (*Disjoint union axiom, implication*) For any index set I and topological spaces X_i for $i \in I$, it holds that $H_n(\bigsqcup_{i \in I} X_i) \cong \bigoplus_{i \in I} H_n(X_i)$.
2. (*Homotopy invariance axiom*) Let X, Y be topological spaces and $r: X \rightarrow Y$ a homotopy equivalence. Then the map $H_n(r)$ is an isomorphism for all $n \in \mathbb{N}$. In particular, it holds that $H_n(Y) \cong H_n(X)$.

$$3. \text{ (Dimension axiom) } H_n(D^d) = \begin{cases} \mathbb{Z}, & n = 0 \\ 0 & \text{else} \end{cases}$$

$$4. H_n(S^d) = \begin{cases} \mathbb{Z} \oplus \mathbb{Z} & n = d = 0 \\ \mathbb{Z}, & n = d \neq 0 \text{ or } d \neq n = 0 \\ 0 & \text{else} \end{cases}$$

Observation 24. Using Proposition 23 and given definitions, one can immediately calculate the homology groups of a d -dimensional k -annuli:

$$H_n(S^k \times D^{d-k}) = H_n(S^k) = \begin{cases} \mathbb{Z} \oplus \mathbb{Z} & n = k = 0 \\ \mathbb{Z}, & n = k \neq 0 \text{ or } k \neq n = 0 \\ 0 & \text{else} \end{cases}$$

To ease our computations for upper bounds, we deviate to another homology theory called *cellular homology* which is defined on a special class of topological spaces called *CW-complexes*.

Definition 25. A Hausdorff space X with a filtration $\emptyset = X_{-1} \subseteq X_0 \subseteq \dots \subseteq \bigcup_{i=1}^d X_i = X$ is a d -dimensional finite CW complex if the following axioms hold:

- (i) A subset $A \subseteq X$ is closed in X if and only if $A \cap X_i$ is closed in X_i for all $i \in [d]_0$.
- (ii) The spaces X_i in the filtration are each called i -skeleton. The i -skeleton is recursively obtained from X_{i-1} by attaching cells, i.e. we have pushout maps of the form

$$\begin{array}{ccc} \bigsqcup_{j \in I_i} S^{i-1} & \xrightarrow{\bigsqcup_{j \in I_i} q_i^j} & X_{i-1} \\ \downarrow & & \downarrow \\ \bigsqcup_{j \in I_i} D^i & \xrightarrow{\bigsqcup_{j \in I_i} Q_i^j} & X_i \end{array}$$

for finite index sets I_i for $i \in [d]_0$. The maps q_i^j are called attaching maps and the maps Q_i^j are called characteristic maps.

For $i \in [d]_0$, the set of path components of $X_i \setminus X_{i-1}$ is called the set of open i -cells. The set of closures of open i -cells are called closed i -cells. We almost always make use of closed i -cells and therefore refer to them simply as i -cells.

The non-expert can understand a pushout map as one that simply glues the boundary of an i -dimensional cell (that is, a topological disk/polyhedron of dimension i) onto the $(i-1)$ -skeleton X_{i-1} . Here, the choice of the attaching maps define the commutative pushout diagram above, while the characteristic maps are those that are “uniquely” defined by the attaching maps “in a natural way”. Figure 7 illustrates the above definition.

A more general definition of CW complexes allow an infinite dimension of cells as well as an (arbitrarily indexed) infinite number of cells in every dimension. For our results, it is sufficient to restrict to our definition, as we will restrict to a CW complex that is a compact topological space without loss of generality:

Lemma 26. A CW-complex is finite if and only if it is compact.

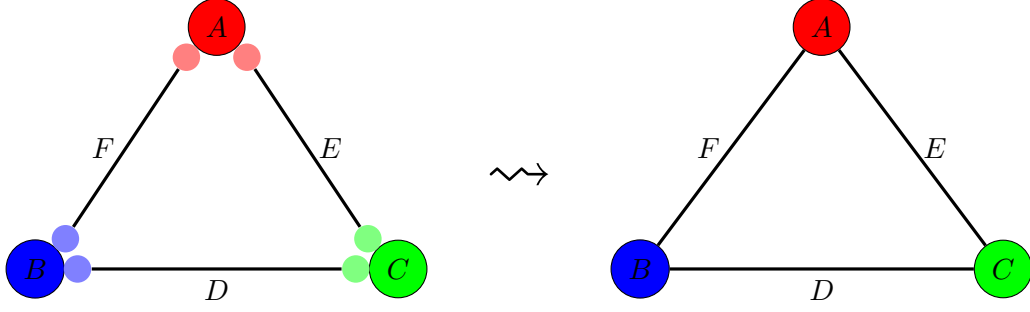


Figure 7: A CW-complex X of dimension 1 that is homeomorphic to S^1 . The darker shaded points constitute the 0-cells, i.e., we have $X_0 = \{A, B, C\}$. The line segments on the left are the 1-cells. The triangle on the right illustrates $X = X_1$. The lighter shades of colors indicate the attaching maps $q_1^j: S^0 \rightarrow \{A, B, C\}$ for $j \in \{D, E, F\}$.

One can naturally endow finite polyhedral complexes with CW-structures by defining the i -cells as the i -facets (therefore uniquely defining the filtration), and the attaching maps as those that include each face into the i -skeleton of the CW complex for each i . This way, the poset structure is compatible with the characteristic maps as well (because faces of polyhedra lie on their topological boundary and the attaching maps q_i^j are injective in this case). One can also observe that any polyhedral complex is homotopy equivalent to a finite CW-complex, see 47.

Our motivation to endow polyhedral complexes with CW-structures is to use *cellular homology*, which, given the natural CW-structure of a polyhedral complex, allows to compute homology groups conveniently. Among other advantages, we will rely on cellular homology for an induction on the number of polyhedra.

Definition 27. Let X be a finite CW-complex. The cellular chain complex $(C_i)_{i \in \mathbb{N}}$ of X is given by free abelian groups $C_i \cong \mathbb{Z}^{|I_i|}$ that are generated by the i -cells of X . The boundary maps, which are given by a construction using attachment maps in the general case, can be greatly simplified for our purposes: The boundary map $\partial_i: C_i \rightarrow C_{i-1}$ is defined by the incidence matrix $\Delta \in \mathbb{Z}^{|I_{i-1}| \times |I_i|}$ between i and $(i-1)$ -cells, that is, it is given by entries

$$\delta_{jk} = \begin{cases} 1 & \text{the } (i-1)\text{-cell } j \text{ lies in the boundary of the } i\text{-cell } k \\ 0 & \text{else.} \end{cases}$$

The i -th cellular homology $H_i^{\text{cell}}(X)$ of X is defined by the homology of the cellular chain complex $(C_i)_{i \in \mathbb{N}}$, that is, we have

$$H_i^{\text{cell}}(X) = \ker(\partial_i) / \text{im}(\partial_{i-1}).$$

It is well-known that on CW-complexes, cellular homology groups coincide with singular homology groups. Therefore, we may make use of cellular homology groups in order to compute Betti numbers.

5.2 Lower bound

In this section we provide formal proofs for the statements made in sections 2 and additional lemmata that are used in these proofs. For the sake of completeness, we also recall the statements we prove.

5.2.1 Proof of Lemma 5

Definition 28. We define the one hidden layer ReLU neural network $h^{(1,m,d)}$ in the following way: The neurons $\{v_{i,j}\}_{i=0,\dots,m-1,j=1,\dots,d}$ in the hidden layer are given by:

- $v_{0,j}(x) = \max\{0, mx_j\}, j = 1, \dots, d$
- $v_{i,j}(x) = \max\{0, 2m(x_j - i/m)\}, j = 1, \dots, d, i = 1, \dots, m - 1$

and the output neurons by: $h_j^{(1,m,d)}(x) = \sum_{i=0}^{m-1} (-1)^i \cdot v_{i,j}(x)$.

Lemma 29. Let $d, m \in \mathbb{N}$ with $m > 1$. Then

1. $h^{(1,m,d)}(W_{(i_1,\dots,i_d)}^{(1,m,d)}) = [0, 1]^d$
2. $\pi_j \circ h_{|W_{(i_1,\dots,i_d)}^{(1,m,d)}}^{(1,m,d)}(x_1, \dots, x_d) = \begin{cases} m \cdot x_j - (i_j - 1) & i_j \text{ odd} \\ -m \cdot x_j + i_j & i_j \text{ even} \end{cases}$

for all $(i_1, \dots, i_d) \in [m]^d$.

Proof. Throughout this proof we denote $W_{(i_1,\dots,i_d)}^{(1,m,d)}$ by $W_{(i_1,\dots,i_d)}$ and $h^{(1,m,d)}$ by h . We prove that h satisfies the second property. The first property then follows immediately from the second since

$$\pi_j \circ h_{|W_{(i_1,\dots,i_d)}}(W_{(i_1,\dots,i_d)}) = \left[m \cdot \frac{(i_j - 1)}{m} - (i_j - 1), m \cdot \frac{i_j}{m} - (i_j - 1) \right] = [0, 1]$$

if i_j is odd and

$$\pi_j \circ h_{|W_{(i_1,\dots,i_d)}}(W_{(i_1,\dots,i_d)}) = \left[m \cdot \frac{(i_j - 1)}{m} + i_j, m \cdot \frac{i_j}{m} + i_j \right] = [0, 1]$$

if i_j is even.

Let $j \in \{1, \dots, d\}$ and $x \in W_{(i_1,\dots,i_d)}$, so in particular $x_j \in \left[\frac{(i_j-1)}{m}, \frac{i_j}{m} \right]$. Since $i \geq i_j$ implies $2m(x_j - i/m) \leq 0$, it follows that $v_{i,j}(x) = 0$ for all $i \geq i_j$. Similarly, $i < i_j$ implies $2m(x_j - i/m) \geq 0$, and therefore it follows that $v_{i,j}(x) = 2m(x_j - i/m)$ for all $i < i_j$. Hence

$$h_j(x) = \sum_{i=0}^{i_j-1} (-1)^i \cdot v_{i,j}(x) = mx_j + \sum_{i=1}^{i_j-1} (-1)^i \cdot 2m(x_j - i/m).$$

If i_j is even, then

$$\begin{aligned} h_j(x) &= mx_j + \sum_{i=1}^{i_j/2-1} 2m(x_j - 2i/m) - \sum_{i=1}^{i_j/2} 2m(x_j - (2i-1)/m) \\ &= mx_j - 2(i_j/2 - 1) - 2m(x_j - (2i_j/2 - 1)/m) \\ &= mx_j - i_j + 2 - 2mx_j + 2i_j - 2 \\ &= -mx_j + i_j \end{aligned}$$

If i_j is odd, then

$$\begin{aligned} h_j(x) &= mx_j + \sum_{i=1}^{(i_j-1)/2} 2m(x_j - 2i/m) - \sum_{i=1}^{(i_j-1)/2} 2m(x_j - (2i-1)/m) \\ &= mx_j - 2(i_j - 1/2) \\ &= mx_j - (i_j - 1). \end{aligned}$$

□

Lemma 5. (cf. [Montúfar et al., 2014]) Let $d \in \mathbb{N}$, then:

1. $h^{(L, \mathbf{m}, d)}(W_{(i_1, \dots, i_d)}^{(L, \mathbf{m}, d)}) = [0, 1]^d$

2. $\pi_j \circ h_{|W_{(i_1, \dots, i_d)}^{(L, \mathbf{m}, d)}}^{(L, \mathbf{m}, d)}(x_1, \dots, x_d) = \begin{cases} M \cdot x_j - (i_j - 1) & i_j \text{ odd} \\ -M \cdot x_j + i_j & i_j \text{ even} \end{cases}$

for all $(i_1, \dots, i_d) \in [M]^d$.

Proof. We apply induction over L . The base case has already been covered by Lemma 29. Assume that there exists a NN $h^{(L-1, (m_1, \dots, m_{L-1}), d)}$ that satisfies the desired properties and define $h^{(L, \mathbf{m}, d)} = h^{(1, m_L, d)} \circ h^{(L-1, (m_1, \dots, m_{L-1}), d)}$. Let $j \in \{1, \dots, d\}$ and $x \in W_{(i_1, \dots, i_d)}^{(L, \mathbf{m}, d)}$. Define

$$i_j^{(1)} := \left\lfloor \frac{m_L \cdot (i_j - 1)}{M} \right\rfloor + 1. \text{ It holds that } \left[\frac{(i_j - 1)}{M}, \frac{i_j}{M} \right] \subset \left[\frac{(i_j^{(1)} - 1)}{m_L}, \frac{i_j^{(1)}}{m_L} \right].$$

Case 1: $i_j^{(1)}$ odd. Then by Lemma 29:

$$h_j^{(1, m_L, d)}\left(\frac{(i_j - 1)}{M}\right) = m_L \cdot \frac{(i_j - 1)}{M} - (i_j^{(1)} - 1) = \frac{m_L \cdot (i_j - 1)}{M} - \left\lfloor \frac{m_L \cdot (i_j - 1)}{M} \right\rfloor = \frac{(i_j - 1) \bmod (M/m_L)}{(M/m_L)}$$

and

$$h_j^{(1, m_L, d)}\left(\frac{i_j}{M}\right) = m_L \cdot \frac{i_j}{M} - (i_j^{(1)} - 1) = \frac{m_L \cdot (i_j)}{M} - \left\lfloor \frac{m_L \cdot (i_j - 1)}{M} \right\rfloor = \frac{(i_j - 1) \bmod (M/m_L) + 1}{(M/m_L)}.$$

Define $i_j^{(L-1)} := ((i_j - 1) \bmod (M/m_L)) + 1$. Then it holds that $h_j^{(1, m_L, d)}(x) \in \left[\frac{m_L \cdot (i_j^{(L-1)} - 1)}{M}, \frac{m_L \cdot i_j^{(L-1)}}{M} \right]$.

Moreover, $i_j^{(L-1)} = ((i_j - 1) \bmod (M/m_L)) + 1$ is odd if and only if i_j is odd because $\frac{M}{m_L}$ is an even number.

Case 1.i: $i_j^{(L-1)}$ (and therefore i_j) is odd. Then follows with the induction hypothesis:

$$\begin{aligned} h_j^{(L, \mathbf{m}, d)}(x) &= h_j^{(L-1, (m_1, \dots, m_{L-1}), d)}(h_j^{(1, m_L, d)}(x)) \\ &= \frac{M}{m_L} \cdot (h_j^{(1, m_L, d)}(x)) - (i_j^{(L-1)} - 1) \\ &= \frac{M}{m_L} \cdot (m_L x - (i_j^{(1)} - 1)) - (i_j^{(L-1)} - 1) \\ &= Mx - \frac{M}{m_L} \cdot \left\lfloor \frac{m_L \cdot (i_j - 1)}{M} \right\rfloor - ((i_j - 1) \bmod (M/m_L)) \\ &= Mx - (i_j - 1). \end{aligned}$$

Case 1.ii: $i_j^{(L-1)}$ (and therefore i_j) is even. Then follows with the induction hypothesis:

$$\begin{aligned} h_j^{(L, \mathbf{m}, d)}(x) &= h_j^{(L-1, (m_1, \dots, m_{L-1}), d)}(h_j^{(1, m_L, d)}(x)) \\ &= -\frac{M}{m_L} \cdot (h_j^{(1, m_L, d)}(x)) + i_j^{(L-1)} \\ &= -\frac{M}{m_L} \cdot (m_L x - (i_j^{(1)} - 1)) + i_j^{(L-1)} \\ &= -Mx + \frac{M}{m_L} \cdot \left\lfloor \frac{m_L \cdot (i_j - 1)}{M} \right\rfloor + ((i_j - 1) \bmod (M/m_L) + 1) \\ &= -Mx + i_j - 1 + 1 \\ &= -Mx + i_j. \end{aligned}$$

Case 2: $i_j^{(1)}$ even. Then by Lemma 29:

$$h_j^{(1, m_L, d)}\left(\frac{i_j - 1}{M}\right) = -m_L \cdot \frac{(i_j - 1)}{M} + i_j^{(1)} = -\frac{m_L \cdot (i_j - 1)}{M} + \left\lfloor \frac{m_L \cdot (i_j - 1)}{M} \right\rfloor + 1 = 1 - \frac{(i_j - 1) \bmod (M/m_L)}{M/m_L}$$

and

$$h_j^{(1, m_L, d)}\left(\frac{i_j}{M}\right) = -m_L \cdot \frac{i_j}{M} + i_j^{(1)} = -m_L \cdot \frac{i_j}{M} + \left\lfloor m_L \cdot \frac{(i_j - 1)}{M} \right\rfloor + 1 = 1 - \frac{(i_j - 1) \bmod (M/m_L) - 1}{M/m_L}$$

Define $i_j^{(L-1)} := \frac{M}{m_L} - ((i_j - 1) \bmod (M/m_L))$. Then it holds that $h_j^{(1, m_L, d)}(x) \in \left[\frac{m_L \cdot (i_j^{(L-1)} - 1)}{M}, \frac{m_L \cdot (i_j^{(L-1)})}{M} \right]$.

Moreover, $i_j^{(L-1)}$ is even if and only if i_j is odd, once more because $\frac{M}{m_L}$ is an even number.

Case 2.i: $i_j^{(L-1)}$ is odd (i.e., i_j even). Then follows with the induction hypothesis:

$$\begin{aligned} h_j^{(L, \mathbf{m}, d)}(x) &= h_j^{(L-1, (m_1, \dots, m_{L-1}), d)}(h_j^{(1, m_L, d)}(x)) \\ &= \frac{M}{m_L} \cdot (h_j^{(1, m_L, d)}(x)) - (i_j^{(L-1)} - 1) \\ &= \frac{M}{m_L} \cdot (-m_L x + i_j^{(1)}) - (i_j^{(L-1)} - 1) \\ &= -Mx + \frac{M}{m_L} \cdot \left\lfloor \frac{m_L \cdot (i_j - 1)}{M} \right\rfloor + \frac{M}{m_L} - \left(\frac{M}{m_L} - ((i_j - 1) \bmod M/m_L) - 1 \right) \\ &= -Mx + i_j \end{aligned}$$

Case 2.ii: $i_j^{(L-1)}$ is even (i.e., i_j odd). Then follows with the induction hypothesis:

$$\begin{aligned} h_j^{(L, \mathbf{m}, d)}(x) &= h_j^{(L-1, (m_1, \dots, m_{L-1}), d)}(h_j^{(1, m_L, d)}(x)) \\ &= -\frac{M}{m_L} \cdot (h_j^{(1, m_L, d)}(x)) + i_j^{(L-1)} \\ &= -\frac{M}{m_L} \cdot (-m_L x + i_j^{(1)}) + i_j^{(L-1)} \\ &= Mx - \frac{M}{m_L} \cdot \left(\left\lfloor \frac{m_L \cdot (i_j - 1)}{M} \right\rfloor + 1 \right) + \frac{M}{m_L} - ((i_j - 1) \bmod (M/m_L) + 1) + 1 \\ &= Mx - (i_j - 1). \end{aligned}$$

This concludes the proof for all cases. □

5.2.2 Proof of Lemma 7

Lemma 30. Let $d, w \in \mathbb{N}$ and

$$R_q = \{x \in \mathbb{R}^d : x_1, \dots, x_d > 0, \frac{q}{4w} < \|x\|_1 < \frac{q+1}{4w}\}.$$

Then $\text{sgn}(\hat{g}(R_q)) = (-1)^q$ for all $q = 0, \dots, w-1$ and $\hat{g}(x) = 0$ for all $x \in [0, 1]^d$ with $\|x\|_1 \geq \frac{1}{2}$.

Proof. Let $q \in \{0, \dots, w-1\}$ and $x \in R_q$. Note that $\hat{g}_0(x) = \mathbf{1}^T x$ for all $q \in \{0, \dots, w-1\}$.

Case 1: $\mathbf{1}^T x < (2q+1)/4w$. This implies $\hat{g}_i(x) = 0 \forall q > i$ and $g_i(x) = 2(\mathbf{1}^T x - ((2i-1)/4w)) \forall 1 < i \leq q$ and therefore

$$\hat{g}(x) = \sum_{i=0}^q (-1)^i \hat{g}_i(x) = x_1 + \sum_{i=1}^q (-1)^i 2(\mathbf{1}^T x - ((2i-1)/4w)).$$

Case 1.i: If q is even, then it holds:

$$\begin{aligned} \hat{g}(x) &= \mathbf{1}^T x + \sum_{i=1}^{q/2} 2(\mathbf{1}^T x - ((2(2i)-1)/4w)) - \sum_{i=1}^{q/2} 2(\mathbf{1}^T x - ((2(2i-1)-1)/4w)) \\ &= \mathbf{1}^T x + \sum_{i=1}^{q/2} 2(\mathbf{1}^T x - ((4i-1)/4w)) - \sum_{i=1}^{q/2} 2(\mathbf{1}^T x - ((4i-3)/4w)) \\ &= \mathbf{1}^T x - q/2w > 0 \end{aligned}$$

Case 1.ii: If q is odd, then it holds:

$$\begin{aligned} \hat{g}(x) &= \mathbf{1}^T x + \sum_{i=1}^{(q-1)/2} 2(\mathbf{1}^T x - ((4i-1)/4w)) - \sum_{i=1}^{(q+1)/2} 2(\mathbf{1}^T x - ((4i-3)/4w)) \\ &= \mathbf{1}^T x - 2(q-1)/4w - 2(\mathbf{1}^T x - ((4(q+1)/2-3)/4w)) \\ &= -(\mathbf{1}^T x) - 2(q-1)/4w + (4(q+1)-6)/4w \\ &= -(\mathbf{1}^T x) + q/2w < 0 \end{aligned}$$

Case 2: $\mathbf{1}^T x \geq (2q+1)/4w$. This implies $\hat{g}_i(x) = 0 \forall i > q+1$ and $g_i(x) = 2(\mathbf{1}^T x - ((2i-1)/4w)) \forall 1 < i \leq q+1$ and therefore

$$\hat{g}(x) = \sum_{i=0}^{q+1} (-1)^i \hat{g}_i(x) = x_1 + \sum_{i=1}^{q+1} (-1)^i 2(\mathbf{1}^T x - ((2i-1)/4w)).$$

Case 2.i: If q is even, then it holds:

$$\begin{aligned} \hat{g}(x) &= \mathbf{1}^T x + \sum_{i=1}^{q/2} 2(\mathbf{1}^T x - ((4i-1)/4w)) - \sum_{i=1}^{q/2+1} 2(\mathbf{1}^T x - ((4i-3)/4w)) \\ &= \mathbf{1}^T x - 2q/4w - 2(\mathbf{1}^T x - ((4(q/2+1)-3)/4w)) \\ &= -(\mathbf{1}^T x) - q/w + 2(2q+1)/4w \\ &= -(\mathbf{1}^T x) + (q+1)/2w > 0 \end{aligned}$$

Case 2.ii: If q is odd, then it holds:

$$\begin{aligned} \hat{g}(x) &= \mathbf{1}^T x + \sum_{i=1}^{(q+1)/2} 2(\mathbf{1}^T x - ((4i-1)/4w)) - \sum_{i=1}^{(q+1)/2} 2(\mathbf{1}^T x - ((4i-3)/4w)) \\ &= \mathbf{1}^T x - (q+1)/2w < 0 \end{aligned}$$

and hence $\text{sgn}(\hat{g}(x)) = (-1)^q \forall x \in R_q \forall q = 1, \dots, w-1$.

Let $x \in [0, 1]^d$ with $\mathbf{1}^T x \geq \frac{1}{2}$.

Case 1: w even. Then

$$\begin{aligned}
\hat{g}(x) &= \sum_{q=0}^{w+1} (-1)^q \cdot \hat{g}_q(x) \\
&= \mathbf{1}^T x - \left(\mathbf{1}^T x - \frac{1}{2}\right) + \sum_{q=1}^{w/2} \hat{g}_{2q}(x) - \hat{g}_{2q-1}(x) \\
&= \frac{1}{2} + \sum_{q=1}^{w/2} 2(\mathbf{1}^T x - (2 \cdot 2q - 1)/4w) - 2(\mathbf{1}^T x - (2 \cdot (2q - 1) - 1)/4w) \\
&= \frac{1}{2} + \sum_{q=1}^{w/2} 2(-(4q - 1)/4w + (4q - 3)/4w) \\
&= \frac{1}{2} + \sum_{q=1}^{w/2} -1/2w \\
&= 0
\end{aligned}$$

Case 2: w odd. Then

$$\begin{aligned}
\hat{g}(x) &= \sum_{q=0}^{w+1} (-1)^q \cdot \hat{g}_q(x) \\
&= \hat{g}_0(x) - \hat{g}_w(x) + \hat{g}_{w+1}(x) + \sum_{q=1}^{w-1/2} \hat{g}_{2q}(x) - \hat{g}_{2q-1}(x) \\
&= \mathbf{1}^T x - 2(\mathbf{1}^T x - (2w - 1)/4w) + \left(\mathbf{1}^T x - \frac{1}{2}\right) + \sum_{q=1}^{w-1/2} -1/w \\
&= (2w - 1)/2w - \frac{1}{2} + \sum_{q=1}^{w-1} -1/2w \\
&= 1 - 1/2w - \frac{1}{2} - \left(\frac{1}{2} - 1/2w\right) \\
&= 0
\end{aligned}$$

□

Lemma 7. Let $d, w \in \mathbb{N}$ with w odd and

$$R_q = \{x \in [0, 1]^d : \frac{q}{4w} < \|(1, 1, \dots, 1, 0) - x\|_1 < \frac{q+1}{4w}\}.$$

Then there exists a 1-hidden layer neural network $g^{(w,d)}: \mathbb{R}^d \rightarrow \mathbb{R}$ of width $w + 2$ such that $g^{(w,d)}(R_q) \subseteq (-\infty, 0)$ for all odd $q \in [w - 1]_0$, $g^{(w,d)}(R_q) \subseteq (0, \infty)$ for all even $q \in [w - 1]_0$ and $g^{(w,d)}(x) = 0$ for all $x \in [0, 1]^d$ with $\|(1, 1, \dots, 1, 0) - x\|_1 \geq \frac{1}{4}$.

Proof. Let the affine map $t: [0, 1]^d \rightarrow [0, 1]^d$ be given by $x \mapsto (1 - x_1, \dots, 1 - x_{d-1}, x_d)$ and let \hat{g} be the 1-hidden layer neural network from Lemma 30. We prove that the neural network $g := \hat{g} \circ t$ satisfies the assumptions. Let $q \in \{0, \dots, w - 1\}$ and $x \in R_q$. Then $\|(1, 1, \dots, 1, 0) - t(x)\|_1 = \|(1, 1, \dots, 1, 0) - (1 - x_1, \dots, 1 - x_{d-1}, x_d)\|_1 = \|x\|_1$. Since $g(x) = g \circ t(x) = \hat{g}(t(x))$, Lemma 30 implies that $\text{sgn}(g(R_q)) = (-1)^q$. Analogously follows that $g(x) = 0$ for all $x \in [0, 1]^d$ with $\|(1, 1, \dots, 1, 0) - x\|_1 \geq \frac{1}{4}$. □

5.2.3 Proof of Proposition 8

Lemma 31. *Let $g^{(w,d)}$ be the NN from Lemma 7 and C the set of cutting points. Define $R_{q,c} := B_{(q+1)/(4w \cdot M)}^d(c) \setminus B_{q/(4w \cdot M)}^d(c)$ for a cutting point $c \in C$ and $q \in \{1, \dots, w\}$. Then*

1. $g^{(w,d)} \circ h^{(L,\mathbf{m},d)}(R_{q,c}) \subseteq (-\infty, 0]$ for q odd,
2. $g^{(w,d)} \circ h^{(L,\mathbf{m},d)}(R_{q,c}) \subseteq [0, \infty)$ for q even
3. $x \notin \bigcup_{q \in [w], c \in C} R_{q,c}$ implies $g^{(w,d)} \circ h^{(L,\mathbf{m},d)}(x) = 0$.

In particular, $g^{(w,d)} \circ h^{(L,\mathbf{m},d)}(x) = 0$ for all $x \in \partial R_{q,c}$.

Proof. By definition of c being a cutting point, there exist odd numbers $i_1, \dots, i_{d-1} \in [M]$ and an even number $i_d \in [M]$ such that $c = (\frac{i_1-1}{M}, \dots, \frac{i_d-1}{M})$. Let $x \in [0, 1]^d$ with $\|x - c\|_\infty \leq \frac{1}{M}$, then either $x_j \in [\frac{i_j-2}{M}, \frac{i_j-1}{M}]$ or $x_j \in [\frac{i_j-1}{M}, \frac{i_j}{M}]$. Let $J^+ := \{j \in [d] : x_j - c_j \leq 0\}$ be the set of indices j such that $x_j \in [\frac{i_j-1}{M}, \frac{i_j}{M}]$ and $J^- := [d] \setminus J^+$. Let $y = h^{(L,\mathbf{m},d)}(x) \in [0, 1]^d$. Then it follows with Lemma 5 that

$$\begin{aligned}
\mathbf{1}^T y &= \sum_{j \in J^+} M \cdot x_j - (i_j - 1) + \sum_{j \in J^-} -M \cdot x_j + (i_j - 1) \\
&= \sum_{j \in J^+} M \cdot (x_j - c_j + c_j) - (i_j - 1) + \sum_{j \in J^-} -M \cdot (x_j - c_j + c_j) + (i_j - 1) \\
&= \sum_{j \in J^+} M \cdot (x_j - c_j) + \sum_{j \in J^+} M \cdot c_j - (i_j - 1) \\
&\quad + \sum_{j \in J^-} -M \cdot (x_j - c_j) + \sum_{j \in J^-} -M \cdot c_j + (i_j - 1) \\
&= \sum_{j \in J^+} M \cdot (x_j - c_j) + \sum_{j \in J^-} -M \cdot (x_j - c_j) \\
&= M \cdot \sum_{j=1}^d |x_j - c_j| \\
&= M \cdot \|x - c\|_1
\end{aligned}$$

If $x \in R_{q,c}$, then in particular $\|x - c\|_\infty \leq \frac{1}{M}$ and thus:

$$\mathbf{1}^T y = M \cdot \|x - c\|_1 < M \cdot \frac{q+1}{M \cdot 4w} = \frac{q+1}{4w}$$

and

$$\mathbf{1}^T y = M \cdot \|x - c\|_1 > M \cdot \frac{q}{M \cdot 4w} = \frac{q}{4w}.$$

If q is even, with Lemma 7 it follows that $g(y) \in (0, \infty)$ and therefore $g \circ h^{(L,\mathbf{m},d)}(x) = g(y)$. The case where q is odd follows analogously and this concludes the first two cases.

If x is not in any $R_{q,c}$, if x is not in any $R_{q,c}$, then either $x \in \partial R_{q,c}$ for some cutting point c and some q or it holds that $\|x - c\|_1 \geq \frac{1}{2M}$ for every cutting point c . In the first case it follows directly from the above shown that $g \circ h^{(L,\mathbf{m},d)}(x) = 0$, since that $g \circ h^{(L,\mathbf{m},d)}$ is continuous. In the second case there exists a cutting point c such that $\|x - c\|_\infty \leq \frac{1}{M}$, since for every x_j either $\lfloor M \cdot x_j \rfloor$ or $\lceil M \cdot x_j \rceil$ is even. Thus $\mathbf{1}^T h^{(L,\mathbf{m},d)}(x) = M \cdot \|x - c\|_1 \geq M \cdot \frac{1}{4M} = \frac{1}{4}$ and therefore it follows with Lemma 7 that $g \circ h^{(L,\mathbf{m},d)}(x) = 0$, which concludes the proof. \square

In order to count the annuli we need to count the cutting points.

Observation 32. *Cutting points lie on a grid in the unit cube, with $\frac{M}{2}$ many cutting points into dimensions $1, \dots, d-1$ and $\frac{M}{2} + 1$ many in dimension d . Thus, there are $\frac{M^{(d-1)}}{2^{d-1}} \cdot (\frac{M}{2} + 1)$ cutting points. Note that since M is an even number, these points cannot lie on the boundary unless the last coordinate is 0 or M . This means, $2 \cdot \frac{M^{(d-1)}}{2^{d-1}} = \frac{M^{(d-1)}}{2^{d-2}}$ of the cutting points are located on the boundary of the unit cube and the remaining $\frac{M^{(d-1)}}{2^{d-1}} \cdot (\frac{M}{2} - 1)$ are in the interior.*

Proposition 8. *The space $Y_{d,w}$ is homeomorphic to the disjoint union of $p_d = \frac{M^{(d-1)}}{2^{d-1}} \cdot (\frac{M}{2} - 1) \cdot \lceil \frac{w}{2} \rceil$ many $(d-1)$ -annuli and $p'_d = \frac{M^{(d-1)}}{2^{d-2}} \cdot \lceil \frac{w}{2} \rceil$ many disks, that is,*

$$Y_{d,w} \cong \coprod_{k=1}^{p_d} (S^{d-1} \times [0, 1]) \sqcup \coprod_{k=1}^{p'_d} D^d.$$

Proof. We observe that the sets $Y_{d,w} \cap \overline{B^d_{1/4M}}(c)$ are disjoint for cutting points c because we have $\|c - c'\|_1 \geq \frac{2}{M}$ for any two distinct cutting points c, c' . Therefore, the sets $Y_{d,w} \cap \overline{B^d_{1/4M}}(c)$ are pairwise disjoint for $c \in C$. Since

$$\coprod_{c \in C} Y_{d,w} \cap \overline{B^d_{1/4M}}(c) = Y_{d,w},$$

the number of cutting points of the interior is $\frac{M^{(d-1)}}{2^{d-1}} \cdot (\frac{M}{2} - 1)$ and the number of the cutting points on the boundary is $\frac{M^{(d-1)}}{2^{d-2}}$ by Observation 32, it suffices to show that $Y_{d,w} \cap \overline{B^d_{1/4M}}(c) \cong \coprod_{i=1}^{\lceil \frac{nw}{2} \rceil} S^{d-1} \times D^1$ for every $c \in C \cap \text{int}([0, 1]^d)$ and $Y_{d,w} \cap \overline{B^d_{1/4M}}(c) \cong \coprod_{i=1}^{\lceil \frac{w}{2} \rceil} D^d$ for every $c \in C \cap \partial[0, 1]^d$.

By Lemma 31, we can see that for every $c \in C \cap \text{int}([0, 1]^d)$, we have

$$\begin{aligned} Y_{d,w} \cap \overline{B^d_{1/4M}}(c) &= \coprod_{1 \leq q \leq w \text{ odd}} B^d_{q/(w \cdot 4M)}(c) \setminus \overline{B^d_{(q-1)/(w \cdot 4M)}(c)} \\ &\cong \coprod_{1 \leq q \leq w \text{ odd}} S^{d-1} \times [0, 1] \\ &= \coprod_{q=1}^{\lceil \frac{w}{2} \rceil} S^{d-1} \times [0, 1], \end{aligned}$$

as well as for every $c \in C \cap \partial([0, 1]^d)$, we have

$$Y_{d,w} \cap \overline{B^d_{1/4M}}(c) \cong \coprod_{1 \leq q \leq w \text{ odd}} \left(B^d_{q/(w \cdot 4M)}(c) \setminus \overline{B^d_{(q-1)/(w \cdot 4M)}(c)} \right) \cap [0, 1]^d \cong \coprod_{q=1}^{\lceil \frac{w}{2} \rceil} D^d,$$

proving the claim. □

5.2.4 Proof of Lemma 9

Lemma 9. *For $k \leq d$ and $\mathbf{w} = (w_1, \dots, w_{d-1}) \in \mathbb{N}^{d-1}$ it holds that*

$$1. f^{(w_1, \dots, w_{k-2})} \circ p_{k-1}(x) \neq 0 \implies g^{(w_{k-1}, k)}(x) = 0 \text{ and}$$

$$2. g^{(w_{k-1}, k)}(x) \neq 0 \implies f^{(w_1, \dots, w_{k-2})} \circ p_{k-1}(x) = 0$$

for all $x \in [0, 1]^k$.

Proof. We adopt the notation $c^{(k)} := (1, 1, \dots, 1, 0) \in \mathbb{R}^k$ throughout.

We first show that for all $x \in [0, 1]^k$,

$$\|x - c^{(k)}\|_1 \leq \frac{1}{4} \implies g^{(w_{k-2}, k-1)} \circ p_{k-1}(x) = 0. \quad (1)$$

Let $x \in [0, 1]^k$ with $g^{(w_{k-2}, k-1)} \circ p_{k-1}(x) \neq 0$. Lemma 7 implies that $\|p_{k-1}(x) - c^{(k-1)}\|_1 < \frac{1}{4}$. Therefore we have $\frac{1}{4} > |\pi_{k-1} \circ p_{k-1}(x) - 0| = |\pi_{k-1}(x) - 0| = x_{k-1}$ which also means $|x_{k-1} - 1| > \frac{1}{4}$ and thus $\|x - c^{(k)}\|_1 > \frac{1}{4}$.

Note that by Lemma 7 it suffices to show that $f^{(w_1, \dots, w_{k-1})} \circ p_{k-1}(x) = 0$ for all x with $\|x - c^{(k)}\|_1 \leq \frac{1}{4}$. We prove this by induction over k . The base case has already been covered since $g^{(w_1, 2)} = f^{w_1}$. Furthermore

$$\begin{aligned} f^{(w_1, \dots, w_{k-2})} \circ p_{k-1} &= (f^{(w_1, \dots, w_{k-3})} \circ p_{k-2} + g^{(w_{k-2}, k-1)}) \circ p_{k-1} \\ &= f^{(w_1, \dots, w_{k-3})} \circ p_{k-2} \circ p_{k-1} + g^{(w_{k-2}, k-1)} \circ p_{k-1} \\ &= f^{(w_1, \dots, w_{k-3})} \circ p_{k-2} + g^{(w_{k-2}, k-1)} \circ p_{k-1} \end{aligned}$$

and thus the induction hypothesis and (1) imply that $f^{(\mathbf{w})} \circ p_{k-1}(x) = 0$ for x with $\|x - c^{(d)}\|_1 \leq \frac{1}{4}$. \square

5.2.5 Proof of Lemma 10

Lemma 33. *The following diagram commutes:*

$$\begin{array}{ccc} [0, 1]^k & \xrightarrow{h^{(L, \mathbf{m}, k)}} & [0, 1]^k \\ p_{k-1} \downarrow & & \downarrow p_{k-1} \\ [0, 1]^{k-1} & \xrightarrow{h^{(L, \mathbf{m}, k-1)}} & [0, 1]^{k-1} \xrightarrow{f^{\mathbf{w}}} \mathbb{R} \end{array} \quad \begin{array}{c} \searrow f^{\mathbf{w}} \circ p_{k-1} \\ \end{array}$$

Proof. In order to show that the left half of the diagram commutes, we prove that

$$(\pi_j \circ h^{(L, \mathbf{m}, k-1)} \circ p_{k-1})(x) = (\pi_j \circ p_{k-1} \circ h^{(L, \mathbf{m}, k)})(x)$$

for every $j \in \{1, \dots, k-1\}$ and $x \in [0, 1]^k$. For any $x \in [0, 1]^k$, there exist indices i_1, \dots, i_k such that $x = (x_1, \dots, x_k) \in W_{(i_1, \dots, i_k)}^{(L, \mathbf{m}, k)}$. Moreover, if $x \in W_{(i_1, \dots, i_k)}^{(L, \mathbf{m}, k)}$, we have $p_{k-1}(x) \in W_{(i_1, \dots, i_{k-1})}^{(L, \mathbf{m}, k-1)}$ because

$$p_{k-1} \left(W_{(i_1, \dots, i_k)}^{(L, \mathbf{m}, k)} \right) = p_{k-1} \left(\prod_{j=1}^k \left[\frac{(i_j - 1)}{M}, \frac{i_j}{M} \right] \right) = \prod_{j=1}^{k-1} \left[\frac{(i_j - 1)}{M}, \frac{i_j}{M} \right].$$

We use this observation combined with Lemma 5, assuming that i_j is odd:

$$\begin{aligned} (\pi_j \circ h^{(L, \mathbf{m}, k-1)} \circ p_{k-1})(x) &= M \cdot (p_{k-1}(x))_j - (i_j - 1) \\ &= M \cdot x_j - (i_j - 1) \\ &= (\pi_j \circ h^{(L, \mathbf{m}, k)})(x) \\ &= (\pi_j \circ p_{k-1} \circ h^{(L, \mathbf{m}, k)})(x), \end{aligned}$$

as claimed. The case where i_j is even follows analogously. \square

Lemma 10. For $2 \leq k \leq d$, the space $X_k := (f^{(w_1, \dots, w_{k-1})} \circ h^{(L, \mathbf{m}, k)})^{-1}((-\infty, 0])$ satisfies

$$X_k = (X_{k-1} \times [0, 1]) \sqcup Y_{k, w_{k-1}}$$

with $X_1 := \emptyset$.

Proof. For $k = 2$ it holds that $f^{w_1} = g^{(w_1, 2)}$ and therefore the claim holds trivially. Now let $k \geq 3$. Since $f^{(w_1, \dots, w_{k-1})} = f^{(w_1, \dots, w_{k-2})} \circ p_{k-1} + g^{(w_{k-1}, k)}$ and the spaces $(f^{(w_1, \dots, w_{k-2})} \circ p_{k-1} \circ h^{(L, \mathbf{m}, k)})^{-1}((-\infty, 0])$ and $(g^{(w_{k-1}, k)} \circ h^{(L, \mathbf{m}, k)})^{-1}((-\infty, 0])$ are disjoint by Lemma 9, it follows that

$$\begin{aligned} & (f^{(w_1, \dots, w_{k-1})} \circ h^{(L, \mathbf{m}, k)})^{-1}((-\infty, 0]) \\ &= ((f^{(w_1, \dots, w_{k-2})} \circ p_{k-1} + g^{(w_{k-1}, k)}) \circ h^{(L, \mathbf{m}, k)})^{-1}((-\infty, 0]) \\ &= (f^{(w_1, \dots, w_{k-2})} \circ p_{k-1} \circ h^{(L, \mathbf{m}, k)} + g^{(w_{k-1}, k)} \circ h^{(L, \mathbf{m}, k)})^{-1}((-\infty, 0]) \\ &= (f^{(w_1, \dots, w_{k-2})} \circ p_{k-1} \circ h^{(L, \mathbf{m}, k)})^{-1}((-\infty, 0]) \sqcup (g^{(w_{k-1}, k)} \circ h^{(L, \mathbf{m}, k)})^{-1}((-\infty, 0]) \\ &= (f^{(w_1, \dots, w_{k-2})} \circ h^{(L, \mathbf{m}, k-1)} \circ p_{k-1})^{-1}((-\infty, 0]) \sqcup (g^{(w_{k-1}, k)} \circ h^{(L, \mathbf{m}, k)})^{-1}((-\infty, 0]) \\ &= X_{k-1} \times [0, 1] \sqcup Y_{k, w}, \end{aligned}$$

where the second last equality is due to Lemma 33. □

5.2.6 Proof of Theorem 35

Lemma 34. The space $Y_{d, w} := (g^{(w, d)} \circ h^{(L, \mathbf{m}, d)})^{-1}((-\infty, 0])$ satisfies

- (i) $H_0(Y_{d, w}) \cong \mathbb{Z}^{p+p'}$,
- (ii) $H_{d-1}(Y_{d, w}) \cong \mathbb{Z}^p$,
- (iii) $H_k(Y_{d, w}) = 0$ for $k \geq d$

with $p = \frac{M^{(d-1)}}{2^{d-1}} \cdot \left(\frac{M}{2} - 1\right) \cdot \lceil \frac{w}{2} \rceil$ and $p' = \frac{M^{(d-1)}}{2^{d-2}} \cdot \lceil \frac{w}{2} \rceil$

Proof. Follows directly from Observation 24 and Proposition 8 and the disjoint union axiom (Proposition 23). □

Theorem 35. Let $d \in \mathbb{N}$, then there is a ReLU NN $F: \mathbb{R}^d \mapsto \mathbb{R}$ with architecture $(d, m_1 \cdot d, \dots, m_L \cdot d, n_{L+1}, 1)$ such that the space $X_d := F^{-1}((-\infty, 0])$ satisfies

- (i) $\beta_0(X_d) = \sum_{k=1}^{d-1} \frac{M^k}{2^k} \cdot \left(\frac{M}{2} + 1\right) \cdot \lceil \frac{w_k}{2} \rceil$
- (ii) $\beta_k(X_d) = \frac{M^{(k-1)}}{2^{k-1}} \cdot \left(\frac{M}{2} - 1\right) \cdot \lceil \frac{w_{k-1}}{2} \rceil$ for $0 < k < d$.

Proof. We consider the map $F := f^{(\mathbf{w})} \circ h^{(L, \mathbf{m}, d)}$ that was previously constructed (Lemma 10). For $d = 2$, the statement is identical to Lemma 34. Indeed, we have

$$\begin{aligned} 2 \cdot \frac{\left(\frac{M}{2} + 1\right)^3 - 1}{M} - \frac{M}{2} - 2 &= \left(\frac{M}{2} + 1\right)^2 + \frac{M}{2} + 1 - \frac{M}{2} - 2 \\ &= \frac{M}{2} \left(\frac{M}{2} + 1\right). \end{aligned}$$

Let $d \geq 3$. Using Proposition 8, we see that

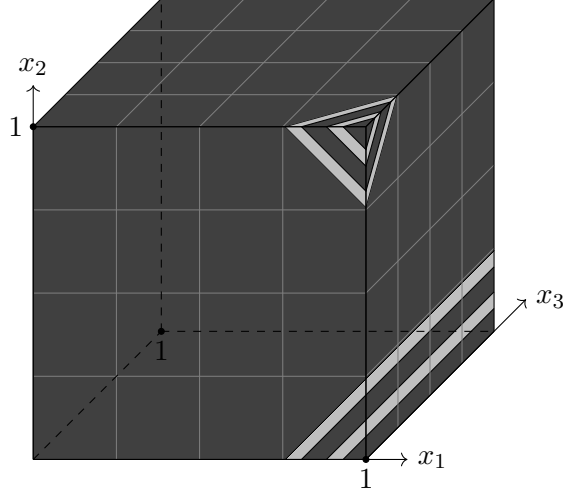


Figure 8: The last hidden layer of the modified F in the proof of Theorem 36; Adding a small constant b in the output layer in order to not have fulldimensional “0-regions”.

$$H_k(X_d) \cong H_k(X_{d-1} \sqcup Y_{d,w_{d-1}}) \cong H_k(X_{d-1}) \oplus \prod_{i=1}^{p_d} H_k(S^{d-1}) \oplus \prod_{i=1}^{p'_d} H_k(D^d) \quad (2)$$

and therefore

$$\beta_k(X_d) = \beta_k(X_{d-1}) + \sum_{i=1}^{p_d} \left(\beta_k(S^{d-1}) \right) + \sum_{i=1}^{p'_d} \beta_k(D^d) \quad (3)$$

where $p_d = \frac{M^{d-1}}{2^{d-1}} \cdot \left(\frac{M}{2} - 1 \right) \cdot \lceil \frac{w_{d-1}}{2} \rceil$ and $p'_d = \frac{M^{d-1}}{2^{d-2}} \cdot \lceil \frac{w_{d-1}}{2} \rceil$. Fix some $k \in \mathbb{N}$. For different values of k , we obtain the claims:

(i) For $k = 0$, equation (3) implies

$$\beta_0(X_d) = \beta_0(X_{d-1}) + p_d + p'_d = \sum_{i=2}^d \frac{M^{(i-1)}}{2^{i-1}} \cdot \left(\frac{M}{2} + 1 \right) \cdot \lceil \frac{w_{i-1}}{2} \rceil$$

(ii) For $k \leq d-1$, we have $\beta_{d-1}(X_d) = 0$ and therefore

$$\beta_{d-1}(X_d) = p_d = \left(\frac{M}{2} - 1 \right) \cdot \frac{M^{d-1}}{2^{d-1}} \cdot \lceil \frac{w_{d-1}}{2} \rceil.$$

For $0 < k < d-1$, we have $\beta_k(X_d) = \beta_k(X_{d-1})$, i.e., the claim is satisfied by induction.

(iii) Finally for $k \geq d$, we observe that all summands of (3) vanish.

□

5.2.7 Closure

Theorem 36. *Given an architecture $A = (d, n_1, \dots, n_L, 1)$ with $n_\ell \geq 2d$ for all $\ell \in [L]$ and numbers $w_1, \dots, w_{d-1} \in \mathbb{N}$ such that $\sum_{k=1}^{d-1} (w_k + 2) = n_L$, there is a neural network $F \in \mathcal{F}_A$ such that*

$$(i) \beta_0(F) = \sum_{k=2}^d \frac{M^{(k-1)}}{2^{k-1}} \cdot \left(\frac{M}{2} + 1\right) \cdot \lceil \frac{w_k}{2} \rceil$$

$$(ii) \beta_k(F) = \frac{M^{(k-1)}}{2^{k-1}} \cdot \left(\frac{M}{2} - 1\right) \cdot \lceil \frac{w_{k-1}}{2} \rceil \quad \text{for } 0 < k < d,$$

where $M = \prod_{\ell=1}^{L-1} 2 \cdot \lfloor \frac{n_\ell}{2d} \rfloor$.

Proof. Let F' be the neural network constructed in Theorem 11. We want to modify this neural network to obtain a neural network F such that it holds that

- $F^{-1}((-\infty, 0))$ and $F'^{-1}((-\infty, 0))$ are homeomorphic,
- $F^{-1}((-\infty, 0))$ is homotopy equivalent to its closure $\overline{F^{-1}((-\infty, 0))}$ and
- $\overline{F^{-1}((-\infty, 0))} = F^{-1}((-\infty, 0])$.

In order to guarantee the third property, we need to ensure that $F^{-1}(\{0\}) = \partial F^{-1}((-\infty, 0))$. Therefore, we transform the full-dimensional 0–regions into slightly positive, but still constant regions by adding a small constant b , i.e., by simply setting $F(x) = F'(x) + b$, where $b = \min_{k=2, \dots, d} \left\{ \frac{1}{8w_k \cdot M} \right\}$.

Next, we argue that $F^{-1}((-\infty, 0))$ and $F'^{-1}((-\infty, 0))$ are homeomorphic, since adding b also just makes the annuli in $F'^{-1}((-\infty, 0))$ thinner. Let $k \in [d]$ and A be a k –annuli in $F'^{-1}((-\infty, 0))$ and $A_k = p_k(A)$ be its projection onto the first k coordinates. It follows that there is a cutting point $c \in \mathbb{R}^k$ such that $A_k = B_{q/(4w_k \cdot M)}^k(c) \setminus \overline{B_{(q-1)/(4w_k \cdot M)}^k(c)}$ for a suitable $q = 1, \dots, w_k$. Since $b \leq \left\{ \frac{1}{8w_k \cdot M} \right\}$ it follows that

$$A'_{k,c,q} := B_{(q-2b)/(4w_k \cdot M)}^k(c) \setminus \overline{B_{(q-1+2b)/(4w_k \cdot M)}^k(c)}$$

is also a k –annuli and revisiting the proof of Lemma 30 reveals that $F(A'_{k,c,q} \times \mathbb{R}^{d-k}) = (-\frac{1}{4w_k}, -b)$ and hence $F(A'_{k,c,q} \times \mathbb{R}^{d-k}) = (-\frac{1}{4w_k} + b, 0)$ since $\frac{1}{8w_k} \geq b$. We conclude that for every k –annuli in $F'^{-1}((-\infty, 0))$ there is a “shrunk” k –annuli in $F^{-1}((-\infty, 0))$ and the “shrinking” for every annuli is an homeomorphism. The case for the disks at the boundary of the unit cube follows analogously. Since $F^{-1}((-\infty, 0))$ is the disjoint union of these disks and annuli and it clearly holds that $F(x) > 0$ for all $x \in F'^{-1}((0, \infty))$, it follows that $F^{-1}((-\infty, 0))$ and $F'^{-1}((-\infty, 0))$ are homeomorphic. Since disks and annuli are homotopy equivalent to their closures, it follows that $F^{-1}((-\infty, 0))$ is homotopy equivalent to $\overline{F^{-1}((-\infty, 0))}$, proving the claim. □

5.2.8 Proof of Corollary 13

Corollary 13. *Let A be the architecture as in Theorem 36, then there is a ReLU NN $F: \mathbb{R}^d \mapsto \mathbb{R}$ with architecture A such that $\chi(F^{-1}((-\infty, 0])) \in \Omega \left(M^d \cdot \sum_{i=1}^{d-1} w_i \right)$, where $\chi(F^{-1}((-\infty, 0]))$ denotes the Euler characteristic of the space $F^{-1}((-\infty, 0])$.*

Proof. The Euler characteristic of a finite CW complex X is given by the alternating sum of its Betti numbers, i.e., by the sum $\sum_{k \in \mathbb{N}} (-1)^k \beta_k(X)$. By Theorem 35, this term is dominated by the zeroth Betti number, from which the claim follows. □

The Euler characteristic is an invariant used widely in differential geometry in addition to algebraic topology. For instance, it can also be defined by means of the index of a vector field on a compact smooth manifold.

5.3 Stability

In this section we aim to prove Proposition 12. Before we prove the stability of our construction, we prove stability for a wider range of neural networks. Throughout this section we will use definitions and statements from Section 5.1.1. First, we define the realization map, that maps, for a given architecture, a vector of weights to its corresponding neural network.

Definition 37 (The realization map). *Let (n_0, \dots, n_{L+1}) be an architecture. Its corresponding parameter space is given by $\mathbb{R}^D \cong \bigoplus_{\ell=1}^{L+1} \mathbb{R}^{(n_{\ell-1}+1) \times n_\ell}$, where the vector space isomorphism is given by $p \mapsto (A^{(\ell)}(p), b^{(\ell)}(p))_{\ell=1, \dots, L+1}$ for $A^{(\ell)}(p) \in \mathbb{R}^{n_{\ell-1} \times n_\ell}$, $b^{(\ell)}(p) \in \mathbb{R}^{n_\ell}$ and $\ell = 1, \dots, L+1$. For a polyhedron $K \subseteq \mathbb{R}^d$, we define $\Phi: \mathbb{R}^D \rightarrow C(K)$ to be the realization map that assigns to a vector of weights the function the corresponding neural network computes, i.e.,*

$$\Phi(p) := T_{L+1}(p) \circ \sigma_{n_L} \circ T_L(p) \circ \dots \circ \sigma_{n_1} \circ T_1(p)$$

where $T_\ell(p): \mathbb{R}^{n_{\ell-1}} \rightarrow \mathbb{R}^{n_\ell}$, $x \mapsto A^{(\ell)}(p)x + b^{(\ell)}(p)$.

Furthermore let

$$\Phi^{(\ell)}(p) := T_\ell(p) \circ \sigma_{n_\ell} \circ \dots \circ \sigma_{n_1} \circ T_0(p)$$

and

$$\Phi^{(i,\ell)}(p) := \pi_i \circ T_\ell(p) \circ \dots \circ \sigma_{n_1} \circ T_0(p),$$

which we call the map computed at neuron (i, ℓ) . We denote the points of non-linearity introduced by the i -th neuron in the ℓ -th layer by

$$\tilde{H}_{i,\ell}(p) := H \left(A_i^{(\ell)}(p), b_i^{(\ell)}(p) \right)$$

Now we define a sequence of polyhedral complexes associated to a neural network. Every polyhedral complex $\mathcal{P}^{(i,\ell)}$ in this sequence corresponds to a refinement of the input space K such that the CPWL map computed at a neuron (i, ℓ) in the neural network is affine linear on all polyhedra in $\mathcal{P}^{(i,\ell)}$. Moreover, it is a refinement of the previous polyhedral complexes $\mathcal{P}^{(i-1,\ell)}$ in this sequence that results by intersecting $\mathcal{P}^{(i-1,\ell)}$ with the points of non-linearity introduced at the neuron (i, ℓ) .

Definition 38 (Canonical polyhedral complex (Grigsby et al. [2022])). *Let p be a vector of weights. Recall that $\Phi(p)$ is the corresponding neural network.*

We recursively define polyhedral complexes $\mathcal{P}^{(\ell,i)}(p, K)$ by $\mathcal{P}^{(1,0)}(p, K) := \{K\}$ and

$$\mathcal{P}^{(\ell,i)}(p, K) := \{R \cap (\Phi^{(\ell-1)}(p))^{-1}(\tilde{H}_{i,\ell}^s(p)) \mid R \in \mathcal{P}^{(\ell,i-1)}(p, K), s \in \{-1, 0, 1\}\}$$

for $i = 1, \dots, n_\ell, \ell = 1, \dots, L$ and

$$\mathcal{P}^{(\ell,1)}(p, K) := \{R \cap (\Phi^{(\ell-1)}(p))^{-1}(\tilde{H}_{i,\ell}^s(p, K)) \mid R \in \mathcal{P}^{(\ell-1, n_{\ell-1})}(p, K), s \in \{-1, 0, 1\}\}$$

for $\ell = 1, \dots, L$.

Note that for all $j \leq i$, it holds that $\Phi^{(j,\ell)}(p)$ is affine linear on R for each $R \in \mathcal{P}^{(\ell,i)}(p)$ and we denote this affine linear map by $\Phi_{|R}^{(j,\ell)}(p)$. For $\ell \in [L], i \in [n_\ell]$ and $R \in \mathcal{P}_d^{(i,\ell)}(p, K)$ we denote the points of non-linearity in the region R with respect to the first $\ell - 1$ layer map introduced by the i -th neuron in the ℓ -th layer by

$$H_{i,\ell,R}(p) := (\Phi_{|R}^{(\ell-1)}(p))^{-1}(\tilde{H}_{i,\ell}(p)) = H \left(A_i^{(\ell)}(p) \left(\Phi_{|R}^{(\ell-1)}(p)(x) \right), b_i^{(\ell)}(p) \right).$$

For the sake of simplification we set $\mathcal{P}^{(0,\ell)}(p, K) := \mathcal{P}^{(n_{\ell-1}, \ell-1)}(p, K)$. Furthermore, since for $R \in \mathcal{P}_d^{(\ell, i-1)}(p, K)$, $F \in \mathcal{P}^{(\ell, i-1)}(p, K)$, $F \preceq R$ it holds that $F \cap H_{i,\ell,R}^s(p) = F \cap (\Phi^{(\ell-1)}(p))^{-1}(\tilde{H}_{i,\ell}^s(p))$ due to the continuity of the function $\Phi(u)$, we have that

$$\mathcal{P}^{(\ell, i)}(p) = \{F \cap H_{i,\ell,R}^s(p) \mid R \in \mathcal{P}_d^{(\ell, i-1)}(p), F \in \mathcal{P}^{(\ell, i-1)}(p), F \preceq R, s \in \{-1, 0, 1\}\}$$

We call $\mathcal{P}(p, K) := \mathcal{P}^{(n_L, L)}(p, K)$ the *canonical polyhedral complex* of $\Phi(u)$ (with respect to K). We omit p respectively K whenever p respectively K is clear from the context.

In the following, we find a sufficient condition for a neural network, which is, that the points of non-linearity introduced at any neuron (i, ℓ) do not intersect the vertices of the polyhedral complex $\mathcal{P}^{(\ell, i)}(p, K)$, to compute a “similar looking map on a polytope K ” $\Phi(u)$ for “close enough” parameters u . Note that the boundedness of the polyhedron is required because any perturbation of two parallel unbounded $(d-1)$ -faces results in new intersection patterns in the corresponding polyhedral complex.

Definition 39. Let $K \subseteq \mathbb{R}^d$ be a polytope and $\Phi(p): K \rightarrow \mathbb{R}$ be a ReLU neural network of architecture (n_0, \dots, n_{L+1}) . Then we call $\Phi(p)$ *combinatorially stable* (with respect to K) if for every $\ell \in [L+1]$, $i \in [n_\ell]$ and all $R \in \mathcal{P}_d^{(i-1, \ell)}(p, K)$ it holds

$$(i) \dim(H_{i,\ell,R}(p)) = d - 1 \text{ and}$$

$$(ii) H_{i,\ell,R}(p) \cap R_0 = \emptyset.$$

We will now prove that this condition is indeed sufficient.

Proposition 40. Let K be a polytope and $\Phi(p): K \rightarrow \mathbb{R}$ be a stable ReLU neural network of architecture (n_0, \dots, n_{L+1}) . Then for every $\varepsilon > 0$, there is an open set $U \subseteq \mathbb{R}^D$ such that for every $u \in U$ there is an ε -isomorphism $\varphi_u: \mathcal{P}(p) \rightarrow \mathcal{P}(u)$.

Proof. We will prove the following stronger statement by induction on the indexing of the neurons.

Claim. For every $\ell \in [L+1]$, $i \in [n_\ell]$ and every $\varepsilon > 0$, there is a $\delta > 0$ such that for all $u \in B_\delta^{\|\cdot\|_\infty}(p)$ there is an ε -isomorphism $\varphi_u^{(i,\ell)}: \mathcal{P}^{(i,\ell)}(p) \rightarrow \mathcal{P}^{(i,\ell)}(u)$.

The induction base is trivially satisfied.

So we assume that the statement holds for $(i-1, \ell)$. For simpler notation we denote $\varphi_u^{(i-1, \ell)}$ by φ_u and $H_{i,\ell,R}(p)$ by $H_R(p)$. Let $\varepsilon > 0$ and $F \in \mathcal{P}^{(i-1, \ell)}(p)$. There is an $R \in \mathcal{P}_d^{(i-1, \ell)}(p)$ such that $F \preceq R$. In the following we wish to find a $\delta_F > 0$ such that there are ε -isomorphisms

$$\varphi_{(u,R,s)}^{(i,\ell)}: F \cap H_R^s(p) \rightarrow \varphi_u(F) \cap H_{\varphi_u(R)}^s(u)$$

for $s \in \{-1, 0, 1\}$ and all $u \in B_{\delta_F}^{\|\cdot\|_\infty}(p)$.

Since $\Phi(p)$ is stable, we obtain by Lemma 20 a $\delta_2 > 0$ such that for all δ_2 -isomorphisms $\varphi: F \rightarrow Q$ there are $\frac{\varepsilon}{3}$ -isomorphisms $\gamma^s: F \cap H_R^s(p) \rightarrow \varphi(F) \cap H_R^s(p)$. By the induction hypothesis we obtain $\delta_1 > 0$ such that for all $u \in B_{\delta_1}^{\|\cdot\|_\infty}(p)$ there is an δ_2 -isomorphism $\varphi_u: \mathcal{P}(p)^{(i-1, \ell)} \rightarrow \mathcal{P}(u)^{(i-1, \ell)}$ and hence we obtain $\frac{\varepsilon}{3}$ -isomorphisms

$$\gamma^{(s,F)}: F \cap H_R^s(p) \rightarrow \varphi_u(F) \cap H_R^s(p).$$

Let $H_{\varphi_u(R)}(u, p) := H_R(u_{1,1}, \dots, u_{i-1, \ell}, p_{i,\ell}, \dots, p_{n_{L+1}, L+1})$ with $u_{j,k}, p_{j,k} \in \mathbb{R}^{n_k}$ being the parameters associated to the j -th neuron in the k -th layer. Again, for simpler notation, let the

affine maps $\Phi_R^{(\ell-1)}(p)$ be given by $x \mapsto Mx + c$ and $\Phi_{|\varphi_u(R)}^{(\ell-1)}(u)$ by $x \mapsto Nx + d$ and the non-linearity points introduced by the i -th neuron in the ℓ -th layer by $\tilde{H}_{i,\ell}(p) = H(a, b)$. Then we have that

$$H_R(p) = H(a^T M, a^T c + b)$$

and

$$H_{\varphi_u(R)}(u, p) = H(a^T N, a^T d + b).$$

By Lemma 20 we know that $(\varphi_u(F))_0 \cap H_R(p) = \emptyset$ and hence by Lemma 19 there is a $\delta_3 > 0$ such that there are $\frac{\varepsilon}{3}$ -isomorphisms $\psi^s: \varphi_u(F) \cap H_R^s(p) \rightarrow \varphi_u(F) \cap H^s(y, z)$ for all $(y, z) \in B_{\delta_3}^{d+1}((a^T M, a^T c + b))$. Let $C := n_{\ell-1} \cdot \max_{i=1, \dots, n_{\ell-1}} \{a_i\}$ and $u \in \mathbb{R}^D$ with $\|u - p\|_\infty < \frac{\delta_3}{C}$. Then we have that

$$\begin{aligned} \|(a^T M, a^T c + b) - (a^T N, a^T d + b)\|_\infty &= \max_{i=1, \dots, d} \left\{ \sum_{j=1}^{n_{\ell-1}} a_j (m_{ij} - n_{ij}), \sum_{j=1}^{n_{\ell-1}} a_j (c_j - d_j) \right\} \\ &< \max_{i=1, \dots, d} \left\{ \sum_{j=1}^{n_{\ell-1}} a_j \frac{\delta_3}{C}, \sum_{j=1}^{n_{\ell-1}} a_j \frac{\delta_3}{C} \right\} \\ &< \delta_3 \end{aligned}$$

and hence there are $\frac{\varepsilon}{3}$ -isomorphisms

$$\psi^{(s,F)}: \varphi_u(F) \cap H_R^s(p) \rightarrow \varphi_u(F) \cap H_{\varphi_u(R)}^s(u, p)$$

By Lemma 19 we know that $(\varphi_u(F))_0 \cap H_{\varphi_u(R)}(u, p) = \emptyset$ and hence by the same lemma there is a $\delta_4 > 0$ such that there are $\frac{\varepsilon}{3}$ -isomorphisms $\alpha^s: \varphi_u(F) \cap H_{\varphi_u(R)}^s(u, p) \rightarrow \varphi_u(F) \cap H^s(y, z)$ for all $(y, z) \in B_{\delta_4}^{d+1}((a^T N, a^T d + b))$. Let $a' \in \mathbb{R}^{n_{\ell-1}}, b' \in \mathbb{R}$ such that $\tilde{H}_{i,\ell}(u) = H(a'^T, b')$. Then we have that

$$H_{\varphi_u(R)}(u) = H(a'^T N, a'^T d + b').$$

Let $E := n_{\ell-1} \cdot \max_{i,j=1, \dots, n_{\ell-1}} \{n_{ij}, d_j\}$ and $u \in \mathbb{R}^D$ with $\|u - p\|_\infty < \frac{\delta_5}{E}$. Then we have that

$$\begin{aligned} \|(a'^T N, a'^T d + b') - (a^T N, a^T d + b)\|_\infty &= \max_{i=1, \dots, d} \left\{ \sum_{j=1}^{n_{\ell-1}} n_{ij} (a'_j - a_j), \left(\sum_{j=1}^{n_{\ell-1}} d_j (a'_j - a_j) \right) + (b'_j - b_j) \right\} \\ &< \max_{i=1, \dots, d} \left\{ \sum_{j=1}^{n_{\ell-1}} n_{ij} \frac{\delta_5}{E}, \sum_{j=1}^{n_{\ell-1}} n_{ij} \frac{\delta_5}{E} \right\} \\ &< \delta_4 \end{aligned}$$

and hence there are $\frac{\varepsilon}{3}$ -isomorphisms

$$\alpha^{(s,F)}: \varphi_u(F) \cap H_{\varphi_u(R)}^s(u, p) \rightarrow \varphi_u(F) \cap H_{\varphi_u(R)}^s(u).$$

Let $\delta_F := \min\{\delta_2, \frac{\delta_4}{C}, \frac{\delta_5}{E}\}$, then for all $u \in B_{\delta_F}^{D, \|\cdot\|_\infty}(p)$ there is an ε -isomorphism

$$\varphi_{(u,F,s)}^{(i,\ell)}: F \cap H_R^s(p) \rightarrow \varphi_u(F) \cap H_{\varphi_u(R)}^s(u)$$

given by

$$\varphi_{(u,F,s)}^{(i,\ell)} = \alpha^{(s,F)} \circ \psi^{(s,F)} \circ \gamma^{(s,F)}.$$

Lastly, let $\delta = \min\{\delta_F \mid F \in \mathcal{P}^{(i-1,\ell)}(p)\}$. Since every element of $\mathcal{P}^{(i,\ell)}(p)$ is of the form $F \cap H_R^s(p)$, it now remains to show that the map $\varphi_u^{(i,\ell)}: \mathcal{P}^{(i,\ell)}(p) \rightarrow \mathcal{P}^{(i,\ell)}(u)$ defined by

$$\varphi_u^{(i,\ell)}(F \cap H_R^s(p)) := \varphi_u(F) \cap H_{\varphi_u(R)}^s(u)$$

is an ε -isomorphism for all $u \in B_\delta^{\|\cdot\|_\infty}(p)$. Since φ_u and $\varphi_{(u,F,s)}^{(i,\ell)}$ are bijections, the same holds for $\varphi_u^{(i,\ell)}$. Furthermore let $G \preceq F \cap H_R^s(p)$, then there is a $G' \preceq F$ and a $s' \in \{0, s\}$ such that $G = G' \cap H_R^{s'}(p)$. Since φ_u is an isomorphism by the induction hypothesis, it follows that

$$\varphi_u^{(i,\ell)}(G' \cap H_R^{s'}(p)) = \varphi_u(G') \cap H_{\varphi_u(R)}^{s'}(u) \preceq \varphi_u(F) \cap H_{\varphi_u(R)}^s(u)$$

and hence $\varphi_u^{(i,\ell)}$ is an ε -isomorphism as claimed. \square

Taking the hyperplanes where the output layer equals zero into account, we define a topological stable parameter.

Definition 41. *Let K be a polytope and $\Phi(p): K \rightarrow \mathbb{R}$ be a ReLU neural network of architecture $(n_0, \dots, n_L, 1)$. Then we call $\Phi(p)$ topologically stable if it is combinatorially stable (with respect to K), and for all $R \in \mathcal{P}_d^{(n_L, L)}(p, K)$ it holds that*

$$(i) \dim(H_{1,L+1,R}(p)) = d - 1 \text{ and}$$

$$(ii) H_{1,L+1,R}(p) \cap R_0 = \emptyset.$$

We now prove that topologically stable is the right definition for our purposes, that is, finding an open set $U \subseteq \mathbb{R}^d$ with $p \in U$ such that the sublevel set of $\Phi(u)$ is homeomorphic to the sublevel set $\Phi(p)$ for all $u \in U$.

Proposition 42. *Let $\Phi(p)$ be a topologically stable ReLU neural network, then there is a $\delta > 0$, such that for all $u \in B_\delta(p)$ it holds that $K \cap \Phi(p)^{-1}((-\infty, 0])$ is homeomorphic to $K \cap \Phi(u)^{-1}((-\infty, 0])$*

Proof. Let $\mathcal{P}^-(p) := \{F \cap H_{1,L+1,R}^s(p) \mid R \in \mathcal{P}_d(p), F \in \mathcal{P}(p), F \preceq R, s \in \{-1, 0\}\} = \{P \cap F^{-1}((-\infty, 0]) \mid P \in \mathcal{P}\}$ be the polyhedral complex consisting of all maximal subpolyhedron of $\mathcal{P}(p)$ where $\Phi(p)$ takes on non-negative values. Analogously to the proof of Proposition 40 we obtain a $\delta > 0$ such that $\mathcal{P}^-(p, K)$ and $\mathcal{P}^-(u, K)$ are isomorphic as polyhedral complexes and hence in particular there is a homeomorphism $\varphi: |\mathcal{P}^-(p, K)| \rightarrow |\mathcal{P}^-(u, K)|$ for all $u \in B_\delta(p)$, where $|\mathcal{P}^-(p, K)|$ denotes the support of $\mathcal{P}^-(p, K)$. This concludes the proof since $|\mathcal{P}^-(p, K)| = K \cap \Phi(p)^{-1}((-\infty, 0])$ and $|\mathcal{P}^-(u, K)| = K \cap \Phi(u)^{-1}((-\infty, 0])$.

Having this at hand, we can finally show the stability of the constructed neural network in Theorem 36 for the lower bound of the topological expressive power.

Proposition 12. *There is an open set $U \subseteq \mathbb{R}^D$ in the parameter space of the architecture $A = (d, n_1, \dots, n_L, 1)$ such that $\Phi(u)$ restricted to the unit cube has at least the same topological expressivity as F in Theorem 36 for all $u \in U$.*

Proof. Let $p \in \mathbb{R}^D$ such that $\Phi(p) = F$ from Theorem 36. Then, since $\Phi(p)$ is topologically stable with respect to any cube it follows by Proposition 42 that there is an open set in \mathbb{R}^D containing u such that $\Phi(u)^{-1}((-\infty, 0)) \cap K$ is homeomorphic to $\Phi(p)^{-1}((-\infty, 0)) \cap K$ for all $u \in U$, where K is the unit cube. \square

Using the results from above, we can even show that if p is topologically stable, then also $\Phi(p)^{-1}((-\infty, 0))$ is homeomorphic to $\Phi(u)^{-1}((-\infty, 0))$ for all u in an open set $U \subseteq \mathbb{R}^D$.

Proposition 43. *Let $\Phi(p)$ be a topologically stable ReLU neural network, then there is a $\delta > 0$, such that for all $u \in B_\delta(p)$ it holds that $K \cap \Phi(p)^{-1}((-\infty, 0))$ is homeomorphic to $K \cap \Phi(u)^{-1}((-\infty, 0))$*

We adapt the notation from the proof of Proposition 42 and we know that $|\mathcal{P}^-(p, K)|$ and $|\mathcal{P}^-(u, K)|$ are homeomorphic.

We wish now to show that $|\mathcal{P}^-(p, K)|^\circ = K^\circ \cap \Phi(p)^{-1}((-\infty, 0])$. Due to the continuity of $\Phi(u)$ it holds that $K^\circ \cap \Phi(p)^{-1}((-\infty, 0)) \subseteq |\mathcal{P}^-(p)|^\circ$. Let now $x \in |\mathcal{P}^-(p)| \setminus (K^\circ \cap \Phi(p)^{-1}((-\infty, 0)))$, i.e., $\Phi(p)(x) = 0$. Since $\mathcal{P}(u)$ is a pure polyhedral complex, there is a $R \in \mathcal{P}_d(u)$ such that $x \in R$. It follows that $x \in H_{1,L+1,R}(p) \cap R$ with $\dim(H_{1,L+1,R}(p)) = d - 1$. If $\dim(H_{1,L+1,R}^1(p) \cap R) < d$, then there is a face $F \preceq R$ such that $F \subseteq H_{1,L+1,R}(p)$, which is a contradiction to $H_{1,L+1,R}(p) \cap R_0 = \emptyset$ and hence it holds that $\dim(H_{1,L+1,R}^1(p) \cap R) = d$. The latter fact implies that $\Phi(u)$ takes on exclusively positive values on $(H_{1,L+1,R}^1(p) \cap R)^\circ \neq \emptyset$ and hence for every open subset $U \subseteq \mathbb{R}^d$ with $x \in U$, it holds that $U \cap \Phi(p)^{-1}((0, \infty)) \neq \emptyset$. Thus, $x \notin |\mathcal{P}^-(p)|^\circ$ and hence $|\mathcal{P}^-(p)|^\circ = K^\circ \cap \Phi(p)^{-1}((-\infty, 0))$. Since $\mathcal{P}^-(p)$ and $\mathcal{P}^-(u)$ are isomorphic and $\Phi(u)$ is also topological stable due to Lemma 20 and Lemma 19, the same arguments can be applied in order to show $|\mathcal{P}^-(u)|^\circ = K^\circ \cap \Phi(u)^{-1}((-\infty, 0))$. Hence, since the restriction of φ to the interiors $\varphi|_{|\mathcal{P}^-(p)|^\circ} : |\mathcal{P}^-(p)|^\circ \rightarrow |\mathcal{P}^-(u)|^\circ$ is a homeomorphism as well, we conclude that $K^\circ \cap \Phi(u)^{-1}((-\infty, 0))$ and $K^\circ \cap \Phi(p)^{-1}((-\infty, 0))$ are homeomorphic.

Let F now be any face of K with $\dim(F) \neq 0$, then by the same arguments it follows that $F^\circ \cap \Phi(u)^{-1}((-\infty, 0))$ and $F^\circ \cap \Phi(p)^{-1}((-\infty, 0))$ are homeomorphic. Furthermore, due to the fact that $\Phi(p)$ is topologically stable and the choice of u , if $\dim(F) = 0$, it holds that $F \subseteq K \cap \Phi(p)^{-1}((-\infty, 0))$ implies that $F \subseteq K \cap \Phi(u)^{-1}((-\infty, 0))$ and hence

$$\begin{aligned} \partial K \cap \Phi(p)^{-1}((-\infty, 0)) &= \left(\bigsqcup_{\substack{F \preceq K, F \neq K \\ \dim(F) \neq 0}} F^\circ \sqcup \bigsqcup_{F \in K_0} F \right) \cap \Phi(p)^{-1}((-\infty, 0)) \\ &\cong \left(\bigsqcup_{\substack{F \preceq K, F \neq K \\ \dim(F) \neq 0}} F^\circ \sqcup \bigsqcup_{F \in K_0} F \right) \cap \Phi(u)^{-1}((-\infty, 0)) \\ &= \partial K \cap \Phi(u)^{-1}((-\infty, 0)) \end{aligned}$$

Altogether, we conclude that $K \cap \Phi(p)^{-1}((-\infty, 0))$ is homeomorphic to $K \cap \Phi(u)^{-1}((-\infty, 0))$. \square

5.4 Upper bound

In this section we will provide a formal proof for the upper bounds on the Betti numbers of $F^{-1}((-\infty, 0])$. For the sake of simplicity, we compute $\beta_k(F^{-1}((-\infty, 0]))$ using cellular homology. Ideally, we would like to equip $F^{-1}((-\infty, 0])$ with a canonical CW-complex structure, i.e., the k -cells of the CW-complexes precisely correspond to the k -faces of the respective polyhedral complex, and attachment maps are given by face incidences (c.f. Appendix 5.1.2). However, $F^{-1}((-\infty, 0])$ may contain unbounded polyhedra. In particular, an unbounded polyhedron cannot correspond to a CW-cell. To sidestep this issue, we construct a bounded polyhedral complex \mathcal{Q} that is homotopy equivalent to $F^{-1}((-\infty, 0])$.

The lineality space $L(P)$ of a polyhedron P is defined as the vector space V such that $p + v \in P$ for all $p \in P$ and $v \in V$. If \mathcal{P} is a complete d -dimensional polyhedral complex (i.e., $|\mathcal{P}| = \mathbb{R}^d$), then all polyhedra in \mathcal{P} have the same lineality space and hence the lineality space of the polyhedral complex is well-defined in this case.

Lemma 44. *Let \mathcal{P} be a d -dimensional polyhedral complex and let $\mathcal{P}' \subseteq \mathcal{P}$ be a subcomplex with $\#\mathcal{P}'_k \leq \binom{r}{d-k+1}$. Then there is a polyhedral complex \mathcal{Q} such that*

1. *all polyhedra in $\mathcal{Q} \in \mathcal{Q}$ contain a vertex,*
2. *$|\mathcal{Q}|$ is a deformation retract of $|\mathcal{P}'|$ and*
3. *the number of k -faces $\#\mathcal{Q}_k$ is bounded by $\binom{r}{d-k-\ell+1}$, where ℓ is the dimension of the lineality space of \mathcal{P} .*

Proof. Let V be the lineality space of \mathcal{P} , $W \subseteq \mathbb{R}^d$ the subspace orthogonal to V and $\pi: \mathbb{R}^d \rightarrow W$ the orthogonal projection. Then it holds that $\pi(P)$ is a face of $\pi(P')$ iff $P \preceq P'$ for all $P, P' \in \mathcal{P}'$ and $\mathcal{Q} = \{\pi(P) \mid P \in \mathcal{P}'\}$ is a polyhedral complex. Furthermore, it holds that $\dim(P) = \dim(\pi(P)) + \ell$, where ℓ is the dimension of V and therefore

$$\#\mathcal{Q}_k = \#\mathcal{P}'_{k+\ell} \leq \#\mathcal{P}_{k+\ell} \leq \binom{r}{d-k-\ell+1}.$$

Since W is the lineality space of \mathcal{P} and hence also of \mathcal{P}' , it follows that the map $R: |\mathcal{P}'| \times [0, 1] \rightarrow |\mathcal{Q}|$ given by $R(w + v, t) = w + (1 - t)v$ with $v \in V, w \in W, w + v \in |\mathcal{P}'|$ is continuous and therefore a deformation retraction, proving the claim. \square

Lemma 45. *Let $P \subseteq \mathbb{R}^d$ be a d -dimensional unbounded pointed polyhedron for some $d > 0$. Then we have $P \cong \mathbb{R}^{d-1} \times [0, \infty)$.*

Proof. Without loss of generality, we may assume that $0 \in P^\circ$ (else we apply translation). There exists a radius r such that all vertices of the polyhedron P are in the interior of the open r -ball $B_r(0) := \{x : \|x\|_2 < r\}$. We consider $P \cap B_r(0)$ and show that it is homeomorphic to $\mathbb{R}^{d-1} \times [0, \infty)$. Finally, we observe that $P \cap B_r(0) \cong P$ by scaling points in the polyhedra along the extreme rays.

Now consider $P \cap B_r(0) \subset D_r^d$ as a subset of the closed d -dimensional disk of radius r , i.e., $D_r^d := \{x : \|x\|_2 \leq r\}$. Because P and $B_r(0)$ are both convex, so is their intersection, therefore, radial projection from the origin $0 \in P$, which fixes the origin and maps the boundary of P to the boundary of D_r^d is the desired homeomorphism. \square

Lemma 46. *Let \mathcal{P} be a finite polyhedral complex such that each $P \in \mathcal{P}$ contains a vertex. Then \mathcal{P} is homotopy equivalent to a bounded polyhedral complex \mathcal{Q} such that the number of k -faces $\#\mathcal{Q}_k$ is at most the number of k -faces $\#\mathcal{P}_k$.*

Proof. We prove the statement by induction on the number $\ell_{\mathcal{P}}$ of unbounded faces of \mathcal{P} . If $\ell_{\mathcal{P}} = 0$, we can pick $\mathcal{Q} = \mathcal{P}$ because \mathcal{P} is bounded.

In the following, we construct a polyhedral complex $\mathcal{Q}' \simeq \mathcal{P}$ with $\ell_{\mathcal{Q}'} = \ell_{\mathcal{P}} - 1$ and $\#\mathcal{Q}'_k \leq \#\mathcal{P}_k$. By induction hypothesis, we then obtain $\mathcal{P} \simeq \mathcal{Q}' \simeq \mathcal{Q}$ and $\#\mathcal{Q}_k \leq \#\mathcal{Q}'_k \leq \#\mathcal{P}_k$ for each $k \in \mathbb{N}$, proving the statement.

Let $P \in \mathcal{P}$ be an unbounded n -dimensional polyhedron that is maximal with respect to inclusion. By Lemma 45, P is homeomorphic to $\mathbb{R}^{n-1} \times [0, \infty)$. It is easy to observe that any homeomorphism (in particular the map $\phi: P \rightarrow \mathbb{R}^{n-1} \times [0, \infty)$ described in the proof of Lemma 45) maps the (topological) boundary ∂P of P precisely to the boundary $\mathbb{R}^{n-1} \times \{0\} \subset \mathbb{R}^{n-1} \times [0, \infty)$ of the codomain. Hence we have the following commutative diagram:

$$\begin{array}{ccc} P & \xleftarrow{\iota} & \partial P \\ \phi \Big\| \cong & & \phi|_{\partial P} \Big\| \cong \\ \mathbb{R}^{n-1} \times [0, \infty) & \xrightarrow{\text{pr}} & \mathbb{R}^{n-1} \times \{0\} \end{array}$$

where $\iota: \partial P \hookrightarrow P$ is the canonical inclusion and pr is the canonical projection onto the first $d - 1$ components.

Since P is maximal with respect to inclusion, $\mathcal{Q}' := \mathcal{P} \setminus \{P\}$ is a polyhedral complex with support $|\mathcal{P}| \setminus P^\circ$. Moreover, we have $\ell_{\mathcal{Q}'} = \ell_{\mathcal{P}} - 1$ and $\#\mathcal{Q}'_k \leq \#\mathcal{P}_k$ for all $k \in \mathbb{N}$.

Using $\Psi := (\phi|_{\partial P})^{-1} \text{pr} \circ \phi$, we define the following map $\Sigma: |\mathcal{P}| \rightarrow |\mathcal{P}| \setminus P^\circ$:

$$\Sigma(x) = \begin{cases} \Psi(x), & x \in P \\ x, & \text{else} \end{cases}$$

Note that this map is well-defined and continuous because one can easily observe that $\Psi(x) = x$ for all $x \in \partial P$. Moreover, it is a retraction, in particular a homotopy equivalence. \square

Lemma 47. *Let \mathcal{P} be a subcomplex of a d -dimensional complete polyhedral complex. Then there is a CW-complex X , such that*

1. $|\mathcal{P}|$ is homotopy equivalent to X and
2. and the number of k -cells of X is bounded by $\#\mathcal{P}_{k+\ell}$,

where ℓ is the dimension of the lineality space of \mathcal{P} .

Proof. Follows by Lemma 44, Lemma 46 and the fact that bounded polyhedral complexes are canonically homeomorphic to CW-complexes (c.f. Appendix 5.1.2). \square

Lemma 48. *Let C be a bounded d -dimensional polyhedral complex such that $|C|$ is contractible and X a subcomplex of C . Then it holds that*

$$\beta_k(X) \leq \#\{(k + 1) - \text{dimensional polyhedra in } C \setminus X\}$$

for all $k \in [d - 1]$.

Proof. Since C only contains bounded polyhedra, we can equip C with a CW-complex structure (c.f. Appendix 5.1.2) and compute the Betti numbers using cellular homology.

Let $Y = C \setminus X$, then Y is a set of polytopes, but not necessarily a polyhedral complex. By abuse of notation, we denote by Y_k the k -dimensional polytopes in Y and by $\text{sk}_k(Y) = \{\ell\text{-dimensional polytopes in } Y \mid \ell \leq k\}$. By the definition of cellular homology it holds that $\beta_k(\text{sk}_{k+1}(X)) = \beta_k(X)$ and hence, if $\#Y_{k+1} = 0$, then

$$\beta_k(X) = \beta_k(\text{sk}_{k+1}(C \setminus Y)) = \beta_k(\text{sk}_{k+1}(C) \setminus (\text{sk}_k(Y) \cup Y_{k+1})) \leq \beta_k(\text{sk}_{k+1}(C)) = 0$$

settling the induction hypothesis. To show the induction step, let $\text{sk}_{k+1}(Y) = D \cup \hat{P}$, where \hat{P} consists of one $(k + 1)$ -polytopes P and all its faces in Y . Therefore, $\#Y_{k+1} = \#D_{k+1} + 1$. Furthermore, let $B = C \setminus D$ and $A = C \setminus Y$. By the induction hypothesis we know that $\beta_k(B) \leq \#D_{k+1}$.

Our goal is to embed the cellular homology group $H_k(B)$ into $\mathbb{Z} \oplus H_k(A)$. Such an embedding readily implies that $\beta_k(B) \leq 1 + \beta_k(A)$. From this, the induction step follows:

$$\beta_k(B) \leq 1 + \beta_k(A) \leq 1$$

We first delete the $(k + 1)$ -dimensional polytope P itself (that is, without deleting the redundant faces, resulting in a polyhedral complex whose support we denote by B'), and observe by the elaborate definition of cellular homology groups that this induces a map $\phi_1: H_k(B') \rightarrow$

$\mathbb{Z} \oplus H_k(A)$. One can additionally observe that this map is an embedding: Notice that the homology arises from the (relative) homologies of the chain complex

$$\dots \rightarrow C_{k+1} \xrightarrow{\partial_{k+1}} C_k \xrightarrow{\partial_k} C_{k-1} \rightarrow \dots$$

Deleting P decreases the image of the boundary map ∂_{k+1} and hence increases the k -th homology; however, it is straightforward to observe that

$$\phi_1: H_k(B') \cong \ker \partial_k / \text{im } \partial_{k+1} \rightarrow [\sigma] \oplus \ker \partial_k / \text{im } \partial_{k+1} \cup [\sigma] \cong \mathbb{Z} \oplus H_k(A)$$

which maps a homology class $[\sum_{\tau \in C_k} c_\tau \tau]$ from the domain to $(c_\sigma, [\sum_{\tau \in C_k / [\sigma]} c_\tau \tau])$ is an embedding, where σ is the generator corresponding to P .

To finish off the construction of the embedding, we finally define $\phi_2: H_k(B) \rightarrow H_k(B')$, i.e., the map induced by deleting all faces of P in \hat{P} . This operation might reduce the kernel of the k -th boundary map, and hence potentially decrease the k -th Betti number. It is, however, again straightforward to observe that the map is injective in any case, in a similar fashion as above.

The claimed embedding is now $\phi_1 \circ \phi_2$, finishing the proof for $k \in [d-1]$. \square

Proposition 14. *Let $F: \mathbb{R}^d \rightarrow \mathbb{R}$ be a neural network of architecture $(d, n_1, \dots, n_L, 1)$. Then it holds that $\beta_0(F) \leq \sum_{(j_1, \dots, j_L) \in J} \prod_{\ell=1}^L \binom{n_\ell}{j_\ell}$ and for all $k \in [d-1]$ that*

$$\beta_k(F) \leq \left(\sum_{(j_1, \dots, j_L) \in J} \prod_{\ell=1}^L \binom{n_\ell}{j_\ell} \right)_{d-k-s},$$

where $J = \{(j_1, \dots, j_L) \in \mathbb{Z}^L: 0 \leq j_\ell \leq \min\{d, n_1 - j_1, \dots, n_{\ell-1} - j_{\ell-1}\} \text{ for all } \ell = 1, \dots, L\}$ and $s \in [d]$ is the dimension of the lineality space of a refinement of the canonical polyhedral complex of F .

Proof. Theorem 1 in [Serra et al., 2017] states that F has at most $r := \sum_{(j_1, \dots, j_L) \in J} \prod_{l=1}^L \binom{n_l}{j_l}$ linear regions. Let \mathcal{P} be the canonical polyhedral complex of F . Since \mathcal{P} is complete, it follows that $\#\mathcal{P}_k \leq \binom{r}{d-k+1}$. Furthermore, for $P \in \mathcal{P}$ it holds that $F|_P$ is affine linear and hence $F|_P^{-1}((-\infty, 0])$ is a half-space and therefore $P \cap F^{-1}((-\infty, 0]) = P \cap F|_P^{-1}((-\infty, 0])$ is a polyhedron. We define $\mathcal{P}^- = \{P \cap F^{-1}((-\infty, 0]) \mid P \in \mathcal{P}\}$ and $\mathcal{P}^+ = \{P \cap F^{-1}([0, \infty)) \mid P \in \mathcal{P}\}$, which due to the continuity of F are subcomplexes of the refinement of \mathcal{P} where F takes on exclusively non-positive respectively non-negative values on all polyhedra. It follows immediately from the definition that $\#\mathcal{P}_k^+ \leq \#\mathcal{P}_k \leq \binom{r}{d-k+1}$. Let s be the dimension of the lineality space of the complete polyhedral complex $\mathcal{P}^- \cup \mathcal{P}^+$. By Lemma 47 we obtain a CW-complex C that is homotopy equivalent to $\mathcal{P}^- \cup \mathcal{P}^+$, and therefore in particular contractible. Furthermore, since \mathcal{P}^- and \mathcal{P}^+ are subcomplexes of $\mathcal{P}^- \cup \mathcal{P}^+$, we obtain subcomplexes X and Y of C such that X is homotopy equivalent to $F^{-1}((-\infty, 0])$ and Y is homotopy equivalent to $F^{-1}([0, \infty))$. It clearly holds that $C \setminus X \subseteq Y$ and hence by Lemma 48 it follows that

$$\beta_k(F^{-1}((-\infty, 0])) = \beta_k(X) \leq \#\{(k+1)\text{-dimensional polyhedra in } (C \setminus X)\} \leq \binom{r}{d-k-s},$$

proving the claim. \square