

QSETH strikes again: finer quantum lower bounds for lattice problem, strong simulation, hitting set problem, and more

Yanlin Chen* Yilei Chen† Rajendra Kumar‡ Subhasree Patro§
Florian Speelman¶

Abstract

While seemingly undesirable, it is not a surprising fact that there are certain problems for which quantum computers offer no computational advantage over their respective classical counterparts. Moreover, there are problems for which there is no ‘useful’ computational advantage possible with the current quantum hardware [BMN⁺21]. This situation however can be beneficial if we *don’t want* quantum computers to solve certain problems fast - say problems relevant to post-quantum cryptography. In such a situation, we would like to have evidence that it is difficult to solve those problems on quantum computers; *but what is their exact complexity?*

To do so one has to prove lower bounds, but proving unconditional time lower bounds has never been easy. As a result, resorting to conditional lower bounds has been quite popular in the classical community and is gaining momentum in the quantum community. In this paper, by the use of the QSETH framework [Buhrman-Patro-Speelman 2021], we are able to understand the quantum complexity of a few natural variants of CNFSAT, such as parity-CNFSAT or counting-CNFSAT, and also are able to comment on the non-trivial complexity of approximate-#CNFSAT; both of these have interesting implications about the complexity of (variations of) lattice problems, strong simulation and hitting set problem, and more.

In the process, we explore the QSETH framework in greater detail than was (required and) discussed in the original paper, thus also serving as a useful guide on how to effectively use the QSETH framework.

*Centrum Wiskunde and Informatica (QuSoft) yanlin@cwi.nl

†Tsinghua University chenyilei.ra@gmail.com

‡Weizmann Institute of Science rjndr2503@gmail.com

§Utrecht University and Centrum Wiskunde and Informatica (QuSoft) patrofied@gmail.com

¶University of Amsterdam and QuSoft f.speelman@uva.nl

Contents

1	Introduction	1
2	Lower bounds for variants of CNFSAT using AC_2^0-QSETH	7
2.1	Quantum complexity of CNFSAT	7
2.2	Quantum complexity of $\#CNFSAT$, $\oplus CNFSAT$, $\#_q CNFSAT$ and MAJ-CNFSAT	7
2.3	Quantum complexity of Δ -ADD- $\#CNFSAT$	11
2.4	Quantum complexity of γ - $\#CNFSAT$ and other related problems	12
2.5	Quantum complexity of $\#k$ -SAT and other related problems	17
3	Quantum strong simulation of quantum circuits	19
4	Quantum lower bound for lattice counting and q-count problems	23
5	Hardness of Counting/Parity of OV, Hitting Set, and Set-Cover	27
6	Discussions and open questions	29
A	Quantum upper bounds for strong simulation	32
B	Proof of Theorem 4.11	33

1 Introduction

A popular classical hardness conjecture known as the Strong Exponential Time-Hypothesis (SETH) says determining whether an input CNF formula is satisfiable or not cannot be done in time $O(2^{n(1-\varepsilon)})$ for any constant $\varepsilon > 0$ [IP01, IPZ01]. Several fine-grained lower bounds based on SETH were shown ever since; see [Vas15, Wil18] for a summary of many such results. Some of the SETH-hard problems are building blocks for fine-grained cryptography [BRSV17, LLW19]. Following the introduction to SETH, hardness assumptions for variations of CNFSAT, for e.g., \oplus SETH (conjecturing complexity of parity CNFSAT, output of the parity of satisfying assignments to input CNF formula), #SETH (conjectures complexity of counting CNFSAT, output the count of the satisfying assignments), were also proposed and several other fine-grained lower bounds based on these variants of SETH were given [CDL⁺16].

When considering quantum computation the SETH conjecture is no longer true, as one can, using Grover’s algorithm for unstructured search [Gro96], solve the CNFSAT problem in $O(2^{\frac{n}{2}} \cdot \text{poly}(n))$ time. However, conjectures such as #SETH or \oplus SETH are likely to still hold in the quantum setting because a Grover-like quantum speedup is not witnessed when the task is to compute the total number of satisfying assignments or to compute the parity of the total number of satisfying assignments. This situation can in some cases be exploited to give better quantum lower bounds than one would get from the conjectured quantum lower bound for the vanilla CNFSAT problem. This makes it at least as relevant (if not more) to study variants of CNFSAT and their implications in the quantum setting, as has been done classically. In fact, motivated by this exact observation, Buhrman, Patro, and Speelman [BPS21] introduced a framework of Quantum Strong Exponential-Time Hypotheses (QSETH) as quantum analogues to SETH, with a striking feature that allows one to ‘technically’ unify conjectures such as quantum analogues of \oplus SETH, #SETH, maj-SETH, etc. under one *umbrella* conjecture.

In this paper, we use the QSETH framework to ‘generate’ natural variations of QSETH such as \oplus QSETH, #QSETH, maj-QSETH, etc., which otherwise (in our opinion) would already be acceptable standalone conjectures in the quantum setting, and study some of their interesting implications. Additionally, we also use the QSETH framework in proving *non-trivial* quantum lower bounds for approximately counting the number of satisfying assignments to CNF formulas, a problem whose complexity has been of interest in the classical setting [DL21]; we study its quantum implications. See Section 2 for details. Proof of this result follows from a more detailed exploration of the QSETH framework than what was required in the original paper. Thus, as another contribution of this paper, we present a useful guide on how to effectively use the QSETH framework.

The QSETH framework In their framework, Buhrman et al. consider the problem in which one is given formula or circuit representation of a Boolean function $f : \{0, 1\}^n \rightarrow \{0, 1\}$ and is asked whether a property $P : \mathcal{D} \subseteq \{0, 1\}^{2^n} \rightarrow \{0, 1\}$ on the truth table¹ of this formula evaluates to 1. They conjectured that when the circuit representation is obfuscated enough then for *most* properties P (that are compression-oblivious properties as we will see in Definition 1.1), the time taken to compute P on the truth table of poly(n)-sized circuits is lower bounded by $Q(P)$, i.e. the 1/3-bounded error quantum query complexity of P , on all bit strings of length 2^n .

¹Truth table of a formula ϕ on n variables, denoted by $tt(\phi)$, is a 2^n bit string derived in the following way $tt(\phi) = \bigcirc_{a \in \{0, 1\}^n} \phi(a)$; the symbol \circ denotes concatenation.

It is not hard to see that such a conjecture cannot be true for *all* properties. In principle, one can construct properties for which the above statement would not hold. For instance, consider a property P that is trivial on truth tables of small formulas (i.e., $\text{poly}(n)$ size) but complicated on formulas of longer length. These kinds of properties are likely to have very high quantum query complexity, but in reality, it will be trivial to compute such a P on formulas of $\text{poly}(n)$ size. In order to prevent such scenarios the authors in [BPS21] introduce the notion of compression-oblivious properties which they believe encompasses most of the naturally occurring properties. See Sections 2.2 and 2.3 of their paper for a detailed discussion on this topic. To give a bit of intuition, first consider the set of truth tables corresponding to the set of $\text{poly}(n)$ size formulas on n variables and consider the set of all the 2^n bit strings. Compression-oblivious properties are those properties for which one cannot save in computational time to compute them on a string from the former set in comparison to computing the same property on strings from the latter set. More formally,

Definition 1.1 (Compression Oblivious Properties [BPS21]). *Let Γ denote a class of representation such as poly-sized depth-2 circuits or poly-sized circuits of a more complex class. Then compression oblivious properties corresponding to the class Γ , denoted by $\mathcal{CO}(\Gamma)$, are the set of (partial or total) properties such that time taken to compute P on the truth table of the input circuit from Γ is at least the quantum query complexity of P on all strings, i.e. $\Omega(Q(P)^{1-\alpha})$ for all constants $\alpha > 0$.*

With that, they conjecture the following.

Conjecture 1.2 (QSETH framework [BPS21]). *For each class of representations such as poly-sized depth-2 circuits or poly-sized circuits of a more complex class, let us denote by Γ , for all compression oblivious properties P of class Γ , given a circuit $C \in \Gamma$ the time taken to compute P on the truth table of C is at least $\Omega(Q(P)^{1-\alpha})$ for all constants $\alpha > 0$.*

It is good to note that the QSETH framework allows us to consider formulas of complicated classes, however, taking Γ as the class of all poly-sized CNF or DNF formulas suffices for the results presented in this paper. Therefore, using AC_2^0 to denote the class of all poly-sized CNF and DNF formulas, we define $\text{AC}_2^0\text{-QSETH}$ as the following conjecture and use this as the main conjecture of our paper.

Conjecture 1.3 ($\text{AC}_2^0\text{-QSETH}$). *For all compression oblivious properties $P \in \mathcal{CO}(\text{AC}_2^0)$, given a circuit $C \in \text{AC}_2^0$ the time taken to compute P on the truth table of C is at least $\Omega(Q(P)^{1-\alpha})$ for all constants $\alpha > 0$.*

One can now *almost* directly use $\text{AC}_2^0\text{-QSETH}$ instead of the general QSETH framework to understand the hardness of computing certain properties on truth tables of CNF formulas. The emphasis on almost is because of the following two reasons: firstly, there are certain properties that might be easy on CNF formulas and hard on DNF formulas which one has to formally verify, and secondly, one needs to ensure that the property we are interested in is compression oblivious. Moreover, for properties defined on N bit strings that can be computed in $\text{polylog}(N)$ space and have quantum query complexity $\tilde{\omega}(\sqrt{N})$ it is not easy to show that they are compression oblivious, as doing so would separate P from PSPACE; see Theorem 9 in [BPS21] for more details. This means even for natural properties such as COUNT or PARITY one cannot easily check if they are compression oblivious. In such situations, we resort to conjecturing that the property is compression oblivious.

See [Figure 1](#) for a step-by-step guide on how we use the QSETH framework in a plug-and-play fashion.

In comparison to the original QSETH paper where the framework was introduced and applied to a more complex class of formulas,² this paper instead serves as a guide to using QSETH for the lowest level of formulas, i.e., poly-sized CNF and DNF formulas, in a more elaborate fashion.

Problem	Variants	Quantum lower bound	Reference
CNFSAT	Vanilla	$2^{\frac{n}{2}-o(n)}$	Corollary 2.1
	Parity	$2^{n-o(n)}$	Corollary 2.7
	Majority	$2^{n-o(n)}$	Corollary 2.8
	Strict Majority	$2^{n-o(n)}$	Corollary 2.8
	Count	$2^{n-o(n)}$	Theorem 2.6
	Count _q	$2^{n-o(n)}$	Corollary 2.10
	Δ -Additive error	$\left(\sqrt{\frac{2^n}{\Delta}} + \frac{\sqrt{\hat{h}(2^n-\hat{h})}}{\Delta}\right)^{1-o(1)}$	Theorem 2.15
γ -Multiplicative factor	$\left(\frac{1}{\gamma} \sqrt{\frac{2^n-\hat{h}}{\hat{h}}}\right)^{1-o(1)}$	Theorem 2.21	
k -SAT $k = \Theta(\log(n))$	Vanilla	$2^{\frac{n}{2}-o(n)}$	Section 4, [ACL⁺20]
	Parity	$2^{n-o(n)}$	Corollary 2.24
	Count	$2^{n-o(n)}$	Corollary 2.24
	Count _q	$2^{n-o(n)}$	Corollary 2.24
	γ -Multiplicative factor	$\left(\frac{1}{\gamma} \sqrt{\frac{2^n-\hat{h}}{\hat{h}}}\right)^{1-o(1)}$	Corollary 2.25

Table 1: Overview of conditional lower bounds for variants of CNFSAT and k -SAT. The variable \hat{h} in the above table is an arbitrary natural number satisfying $\gamma\hat{h} \geq 1$. The multiplicative approximation factor γ is between 2^{-n} to 1, and the additive approximate factor Δ is between 2^{-1} to 2^n .

Summary and technical overview

- We zoom into Buhrman et al.’s QSETH framework at the lowest-level formula class, i.e., the class of polynomial-size CNFs and DNFs, and use it to study the quantum complexity of variations of CNFSAT problems. The QSETH framework is quite general which also makes it not entirely trivial to use it thus, we present a useful guide on how to effectively use the AC_2^0 -QSETH conjecture, for e.g., what lemmas need to be proved and what assumptions are needed to be made in order to understand the quantum complexity of CNFSAT and its variants; see [Figure 1](#).
- We can categorise the several variants of CNFSAT in two ways. First classification can be done by the width of the CNF formulas, i.e., k -CNFs versus CNFs of unbounded clause length; second, by the property of the truth table one needs to compute. See the summary of all the variants and their respective quantum time lower bounds in [Table 1](#) and see below for the overview of the techniques used.

²The authors in [\[BPS21\]](#) extensively used QSETH framework for branching programs or equivalently NC circuits to show non-trivial lower bounds for edit distance and longest common subsequence problems.

Problem	Variants	Quantum lower bound	Reference
STRONG SIMULATION	Exact (with n bits precision)	$2^{n-o(n)}$	Theorem 3.2
	Exact (with 2 bits precision)	$2^{n-o(n)}$	Corollary 3.3
	Δ -Additive error	$\left(\sqrt{\frac{1}{\Delta}} + \frac{\sqrt{\hat{h}(2^n - \hat{h})}}{2^n \Delta}\right)^{1-o(1)}$	Corollary 3.5
	γ -Multiplicative factor	$\left(\frac{1}{\gamma} \sqrt{\frac{2^n - \hat{h}}{\hat{h}}}\right)^{1-o(1)}$	Theorem 3.7
CVP $_p$ FOR $p \notin 2\mathbb{Z}$		$2^{\frac{n}{2}-o(n)}$	Section 4
LATTICE COUNTING (for non-even norm)	Vanilla	$2^{n-o(n)}$	Corollary 4.7
	γ -Multiplicative factor	$\left(\frac{1}{\gamma} \sqrt{\frac{2^n - \hat{h}}{\hat{h}}}\right)^{1-o(1)}$	Corollary 4.8
	q -count	$2^{n-o(n)}$	Corollary 4.10
ORTHOGONAL VECTORS	Vanilla	$n^{1-o(1)}$	[ACL⁺20, BPS21]
	Parity	$n^{2-o(1)}$	Corollary 5.7
	Count	$n^{2-o(1)}$	Corollary 5.7
	γ -Multiplicative factor	$\left(\frac{1}{\gamma} \sqrt{\frac{n^2 - \hat{h}}{\hat{h}}}\right)^{1-o(1)}$	Corollary 5.7
HITTING SET	Vanilla	$2^{\frac{n}{2}-o(n)}$	Corollary 5.4
	Parity	$2^{n-o(n)}$	Corollary 5.4
	Count	$2^{n-o(n)}$	Corollary 5.4
	γ -Multiplicative factor	$\left(\frac{1}{\gamma} \sqrt{\frac{2^n - \hat{h}}{\hat{h}}}\right)^{1-o(1)}$	Corollary 5.4
\oplus SET COVER		$2^{n-o(n)}$	Corollary 5.9

Table 2: Overview of lower bounds based on AC_2^0 -QSETH. The variable \hat{h} in the above table is an arbitrary natural number satisfying $\gamma\hat{h} \geq 1$. The multiplicative approximation factor γ is between 2^{-n} to 1, while the additive approximate factor Δ is between 2^{-n-1} to 1.

- To prove the quantum time lower bounds for the property variants of CNFSAT problem we invoke AC_2^0 -QSETH ([Conjecture 1.3](#)). But, AC_2^0 -QSETH conjectures the hardness of properties on a set of CNF and DNF formulas. For properties like COUNT, PARITY, MAJORITY, etc., it easily follows from De Morgan’s laws that these properties are equally hard on both CNF and DNF formulas. However, such arguments no longer hold when the properties are approximate variants of count for which we give nontrivial proofs; see [Sections 2.3](#) and [2.4](#).
- Additionally, we also use AC_2^0 -QSETH to understand quantum complexity of k -SAT and its property variants. As a first step we study the classical reduction from CNFSAT to k -SAT given by [\[CIP06\]](#) and observe that the $2^{\frac{n}{2}}$ quantum lower bound for k -SAT, for $k = \Theta(\log n)$, follows from the quantum lower bound of CNFSAT. Moreover, we make an important observation that this reduction by [\[CIP06\]](#) is count-preserving³ and can be used to conclude lower bounds for other counting variants of k -SAT. See [Table 1](#) for the summary of these bounds.

³Should not be mistaken to be parsimonious, see [Section 2.5](#) for details.

- Having (somewhat) understood the complexities of the above-mentioned variants of CNFSAT, we then prove conditional quantum time lower bounds for lattice problem, strong simulation, orthogonal vectors, set cover, hitting set problem, and their respective variants; see [Table 2](#).
 - The quantum $2^{\frac{n}{2}}$ time lower bound we present for CVP_p (for $p \notin 2\mathbb{Z}$) follows from a reduction from k -SAT to CVP_p by [[BGS17](#), [ABGS21](#)] and from the hardness result of k -SAT we present. Though such a result would also trivially follow by using Aaronson et al.’s version of QSETH, we stress that our hardness result of k -SAT is based on basic-QSETH which is a more believable conjecture.⁴
 - Additionally, we also discuss the quantum complexity of the lattice counting problem (for non-even norm). We present a reduction, using a similar idea of [[BGS17](#)], from $\#k$ -SAT to the lattice counting problem and we show a 2^n time quantum lower bound for the latter when $k = \Theta(\log n)$. As mentioned earlier, we get a 2^n time quantum lower bound for $\#k$ -SAT, when $k = \Theta(\log n)$, using AC_2^0 -QSETH.
 - As another application to the bounds we get from the property variants of CNFSAT we look at the strong simulation problem. It was already established by [[CHM21](#), [VDN10](#)] that strong simulation of quantum circuit is a $\#P$ -hard problem but in this work we give exact lower bounds for the same. Additionally, using the lower bounds of approximate counts of CNFSAT we are able to shed light on how hard it is to quantumly solve the strong simulation problem with additive and multiplicative error approximation.
 - Last but not least, we are also able to use the lower bounds for the property variants of CNFSAT to give interesting lower bounds for orthogonal vectors, hitting set problem and their respective variants. See [Section 5](#) for more details.

Related work Our paper is a follow-up work to the original QSETH paper by [[BPS21](#)]; also the list of problems for which we show lower bounds does not overlap with the problems studied in [[BPS21](#)]. A basic version of QSETH was also introduced by Aaronson et al. [[ACL⁺20](#)] where they primarily used it to study the quantum complexity of closest pair and bichromatic pair problems; they also discuss the complexity of the (vanilla version of) orthogonal vector problem. Prior to this work, a quantum hitting set conjecture was proposed and its implications were discussed in Schoneveld’s bachelor thesis [[Sch22](#)] but their definition of hitting set is different from ours. In our work, we observe that the parsimonious reduction from CNFSAT to hitting set ([Definition 5.1](#)) given by [[CDL⁺16](#)] is easily quantizable, using which we get a QSETH-based lower bound.

Structure of our paper In [Section 2](#), we discuss the quantum complexity of variants of CNFSAT problems, for e.g. $\#\text{CNFSAT}$, $\oplus\text{CNFSAT}$, $\gamma\text{-}\#\text{CNFSAT}$, etc., conditional on AC_2^0 -QSETH. The broad idea to show the hardness results of these variants is quite similar; the *several* lemmas only account for the properties being different. Using results from [Section 2](#), we show quantum time lower bounds for strong simulation problem in [Section 3](#), lattice problems in [Section 4](#), and orthogonal vectors, hitting set and set cover in [Section 5](#). We conclude with open questions and future directions in [Section 6](#). The appendix section of this paper contains proofs of theorems that are long to state or lemmas of observational nature.

⁴If basic-QSETH from Buhrman et al.’s framework is false then Aaronson et al.’s QSETH is also false, but the implication in the other direction is not obvious.

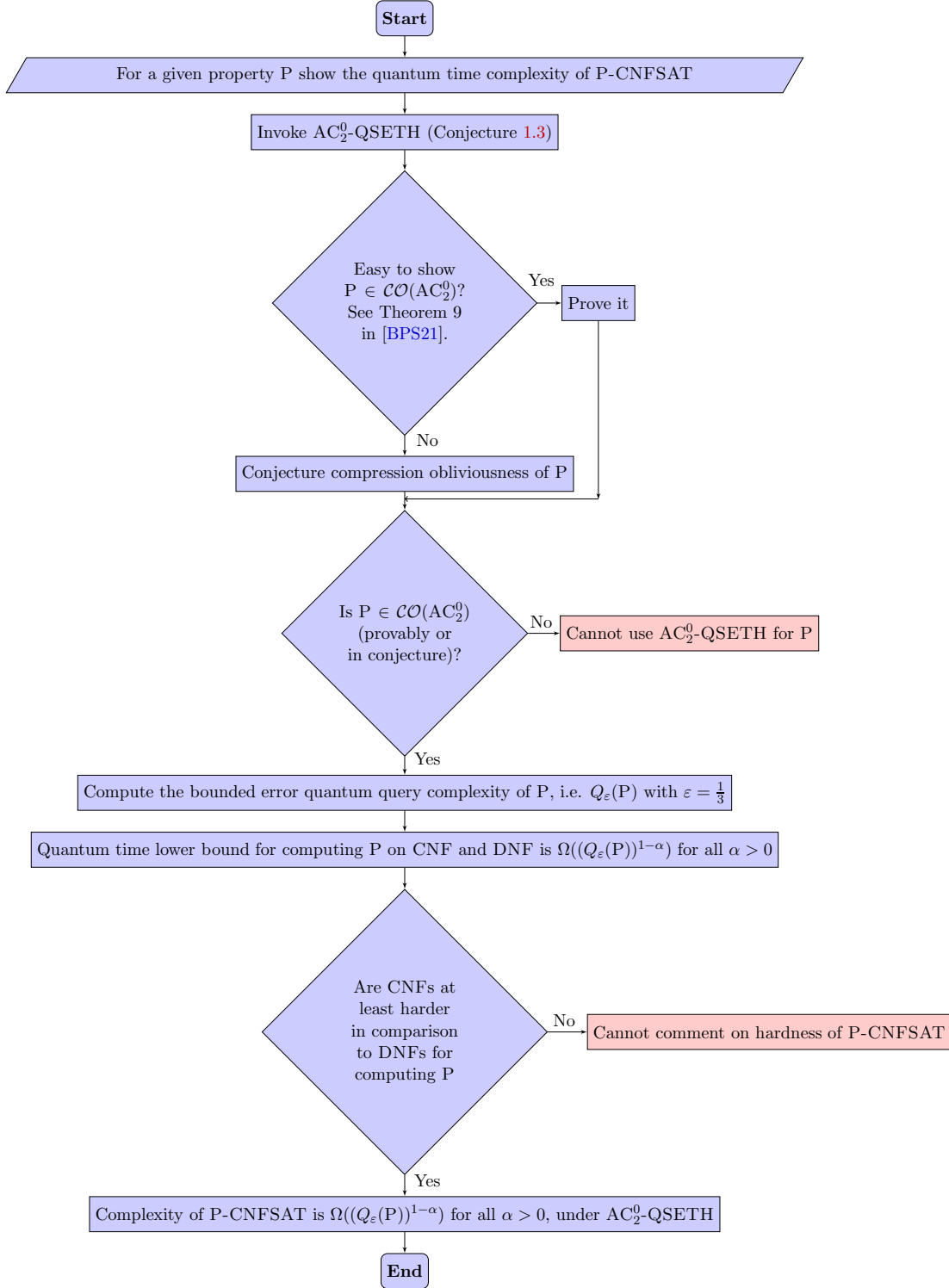


Figure 1: Step-by-step guide on how to use the QSETH framework in a plug-n-play manner to show hardness results for P-CNFSAT. Here P can be any (partial or total) Boolean property.

2 Lower bounds for variants of CNFSAT using AC_2^0 -QSETH

We will now define several variants of CNFSAT problem and using AC_2^0 -QSETH understand the quantum complexity of all of them. The consequences of these hardness results, some of which follow immediately and the rest with some work, will be discussed in Sections 3 to 5. We begin with some common variants of CNFSAT problem which are also very well studied classically [CDL⁺16]; we do this in Section 2.2. And, proceed with some less popular variants (Sections 2.3 to 2.5) but with interesting consequences (presented in Sections 3 to 5).

2.1 Quantum complexity of CNFSAT

We first restate the quantum hardness of CNFSAT before delving into showing hardness results for its other variants. Interestingly, for the property $OR : \{0, 1\}^{2^n} \rightarrow \{0, 1\}$, where for $x \in \{0, 1\}^{2^n}$ we define $OR(x) = 1$ if $|x| \geq 1$ and $OR(x) = 0$ whenever $|x| = 0$, we can explicitly prove that $OR \in \mathcal{CO}(AC_2^0)$ in the following way: The adversarial set $\{x : x \in \{0, 1\}^{2^n} \text{ and } |x| \in \{0, 1\}\}$ gives the tight query bound for the property OR are truth tables of functions that can be represented by $O(n)$ sized CNF formulas. Namely, these are given by the formulas that accept a single possible input, which can be constructed by using n clauses that each contain a single variable or its negation. Also, note that computing OR on truth tables of DNF formulas of $\text{poly}(n)$ length can be computed in $\text{poly}(n)$ time. Hence, using AC_2^0 -QSETH we can recover the following Basic-QSETH conjecture.

Corollary 2.1 (BASIC-QSETH [BPS21]). *If AC_2^0 -QSETH (Conjecture 1.3) is true then there is no bounded error quantum algorithm that solves CNFSAT on n variables and m clauses in $O\left(2^{\frac{n(1-\delta)}{2}} m^{O(1)}\right)$ time, for any $\delta > 0$.*

2.2 Quantum complexity of $\#$ CNFSAT, \oplus CNFSAT, $\#_q$ CNFSAT and maj-CNFSAT

Definition 2.2. *Some popular variants of CNFSAT.*

1. $\#$ CNFSAT: *Given a CNF formula ϕ on n input variables, output t where $t = |\{x : x \in \{0, 1\}^n \text{ and } \phi(x) = 1\}|$ is the number of satisfying assignments to ϕ .*
2. \oplus CNFSAT: *Given a CNF formula ϕ on n input variables, output t where $t = |\{x : x \in \{0, 1\}^n \text{ and } \phi(x) = 1\}| \bmod 2$ is the parity of the number of satisfying assignments to ϕ .*
3. $\#_q$ CNFSAT: *Given a CNF formula ϕ on n input variables and an integer $q \in [2^n] \setminus \{1\}$, output t where $t = |\{x : x \in \{0, 1\}^n \text{ and } \phi(x) = 1\}| \bmod q$ is the q -count of the number of satisfying assignments to ϕ .*
4. MAJ-CNFSAT: *Given a CNF formula ϕ on n input variables, output if majority of the assignments satisfy ϕ , i.e., if $t = |\{x : x \in \{0, 1\}^n \text{ and } \phi(x) = 1\}|$ output 1 if $t \geq 2^{n-1}$ else output 0.*
5. st-MAJ-CNFSAT: *Given a CNF formula ϕ on n input variables, output if a strict majority of the assignments satisfy ϕ , i.e., if $t = |\{x : x \in \{0, 1\}^n \text{ and } \phi(x) = 1\}|$ output 1 if $t > 2^{n-1}$ else output 0.*

We now define the Boolean properties corresponding to items in [Definition 2.2](#) for completeness.⁵

Definition 2.3. *Some popular properties defined on Boolean bit strings.*

1. COUNT: Let $\text{COUNT} : \{0, 1\}^N \rightarrow [N] \cup \{0\}$ be a non-Boolean function such that $\text{COUNT}(x) = |\{i : x \in \{0, 1\}^N \text{ and } x_i = 1\}|$.
2. PARITY: Let $\text{PARITY} : \{0, 1\}^N \rightarrow \{0, 1\}$ be a Boolean function with $\text{PARITY}(x) = |\{i : x \in \{0, 1\}^N \text{ and } x_i = 1\}| \bmod 2$.
3. COUNT_q : Let q be an integer and let $\text{COUNT}_q : \{0, 1\}^N \rightarrow [q-1] \cup \{0\}$ be a non-Boolean function with $\text{COUNT}_q(x) = |\{i : x \in \{0, 1\}^N \text{ and } x_i = 1\}| \bmod q$.
4. MAJORITY: Let $\text{MAJORITY} : \{0, 1\}^N \rightarrow \{0, 1\}$ be a Boolean function with

$$\text{MAJORITY}(x) = \begin{cases} 1 & \text{if } t \geq \frac{N}{2}, \\ 0 & \text{otherwise;} \end{cases}$$

here $t = |\{i : x \in \{0, 1\}^N \text{ and } x_i = 1\}|$.

And, there is also the following function almost similar to MAJORITY.

5. st -MAJORITY: Let $st\text{-MAJORITY} : \{0, 1\}^N \rightarrow \{0, 1\}$ be a Boolean function with

$$st\text{-MAJORITY}(x) = \begin{cases} 1 & \text{if } t > \frac{N}{2}, \\ 0 & \text{otherwise;} \end{cases}$$

here $t = |\{i : x \in \{0, 1\}^N \text{ and } x_i = 1\}|$.

Theorem 2.4 (Implicit in [\[BBC⁺01\]](#)). *The bounded error quantum query complexity for COUNT, PARITY, MAJORITY and st -MAJORITY on inputs of N bit Boolean strings is $\Omega(N)$.*

Proof. There is a seminal result by [\[BBC⁺01\]](#) where they show that the bounded-error quantum query complexity of a (total) Boolean function $f : \{0, 1\}^N \rightarrow \{0, 1\}$, denoted by $Q(f)$ is lower bounded by the degree of a minimum-degree polynomial p that approximates f on all $X \in \{0, 1\}^N$, i.e., $|p(X) - f(X)| \leq 1/3$; let us denote this degree by $\widetilde{\text{deg}}(f)$. Another important result by [Paturi \[Pat92\]](#) showed that if f is a non-constant, symmetric⁶ and a total Boolean function on $\{0, 1\}^N$ then $\widetilde{\text{deg}}(f) = \Theta(\sqrt{N(N - \Gamma(f))})$ where $\Gamma(f) = \min\{|2k - N + 1| : f_k \neq f_{k+1} \text{ and } 0 \leq k \leq N - 1\}$ and $f_k = f(X)$ for $|X| = k$.

Using the above two results we can show the following:

1. $\Gamma(\text{PARITY}) = 0$ for odd N and $\Gamma(\text{PARITY}) = 1$ whenever N is even. Either ways $Q(\text{PARITY}) = \Omega(\Gamma(f)) = \Omega(N)$.

⁵Note that the QSETH framework though is defined on properties with Boolean outcomes it can be used for non-Boolean properties like COUNT or γ -COUNT as we can instead consider the threshold versions of these properties which are Boolean. In fact, we will soon see the inner working of all our hardness results actually rely on Boolean properties.

⁶A symmetric Boolean function $f : \{0, 1\}^N \rightarrow \{0, 1\}$ implies $f(X) = f(Y)$ for all X, Y whenever $|X| = |Y|$.

2. Similar to the above item $\Gamma(\text{MAJORITY}) = \Gamma(\text{st-MAJORITY}) = 0$ for odd N and $\Gamma(\text{MAJORITY}) = \Gamma(\text{st-MAJORITY}) = 1$ otherwise. Hence, $Q(\text{MAJORITY}) = \Omega(N)$ and $Q(\text{st-MAJORITY}) = \Omega(N)$.
3. Any of these above three properties can be computed from COUNT. Hence, the quantum query lower bound for COUNT is also $Q(\text{COUNT}) = \Omega(N)$.

□

As we don't yet know how to prove compression-obliviousness of complicated properties (Theorem 9 in [BPS21]) we instead conjecture that COUNT, PARITY, MAJORITY and st-MAJORITY are compression oblivious for poly-sized CNF and DNF formulas.

Conjecture 2.5. *Let AC_2^0 denote the class of poly(n) sized CNF and DNF formulas on n input variables then the following properties*

1. COUNT : $\{0, 1\}^{2^n} \rightarrow [2^n] \cup \{0\}$,
2. PARITY : $\{0, 1\}^{2^n} \rightarrow \{0, 1\}$,
3. COUNT _{q} : $\{0, 1\}^{2^n} \rightarrow [q - 1] \cup \{0\}$,
4. MAJORITY : $\{0, 1\}^{2^n} \rightarrow \{0, 1\}$, and
5. st-MAJORITY : $\{0, 1\}^{2^n} \rightarrow \{0, 1\}$

stated in [Definition 2.3](#) are in $\text{CO}(\text{AC}_2^0)$.

We can now invoke AC_2^0 -QSETH (as mentioned in [Conjecture 1.3](#)) to prove the quantum hardness for #CNFSAT, \oplus CNFSAT, MAJ-CNFSAT and st-MAJ-CNFSAT.

Theorem 2.6 (#QSETH). *There is no bounded error quantum algorithm that solves #CNFSAT on n variables and m clauses in $O(2^{n(1-\delta)}m^{O(1)})$ time for any $\delta > 0$ unless AC_2^0 -QSETH ([Conjecture 1.3](#)) is false or COUNT $\notin \text{CO}(\text{AC}_2^0)$ (i.e., Item 1 of [Conjecture 2.5](#) is false).*

Proof. By way of contradiction let us assume that there exists a bounded-error quantum algorithm \mathcal{A} that solves #CNFSAT on n variables and m clauses in $O(2^{n(1-\delta)}m^{O(1)})$ time for some $\delta > 0$. Then given a circuit $C \in \text{AC}_2^0$ we do one of the following:

- if C is a poly-sized CNF formula then we use the algorithm \mathcal{A} to compute the number of satisfying assignments to C in $O(2^{n(1-\delta)}m^{O(1)})$ time. Or,
- if C is a poly-sized DNF formula then we first construct the negation of C , let us denote by $\neg C$, in poly(n) time; using De Morgan's law we can see that the resulting formula $\neg C$ will be a poly(n) CNF formula. Using \mathcal{A} we can now compute the number of satisfying assignments t to $\neg C$ in $O(2^{n(1-\delta)}m^{O(1)})$ time. The number of satisfying assignments to C would be then $2^n - t$.

The existence of an algorithm such as \mathcal{A} would imply that AC_2^0 -QSETH is false. Hence, proved. □

Using similar arguments as in the proof of [Theorem 2.6](#) we can conclude the following statements.

Corollary 2.7 (\oplus QSETH). *There is no bounded error quantum algorithm that solves \oplus CNFSAT on n variables and m clauses in $O(2^{n(1-\delta)}m^{O(1)})$ time for any constant $\delta > 0$ unless AC_2^0 -QSETH ([Conjecture 1.3](#)) is false or $\text{PARITY} \notin \mathcal{CO}(\text{AC}_2^0)$ (i.e., [Item 2 of Conjecture 2.5](#) is false).*

Corollary 2.8 (Majority QSETH). *There are no bounded-error quantum algorithms that solve*

1. MAJ-CNFSAT on n variables and m clauses in $O(2^{n(1-\delta)}m^{O(1)})$ time, or
2. st-MAJ-CNFSAT on n variables and m clauses in $O(2^{n(1-\delta)}m^{O(1)})$ time,

any constant $\delta > 0$ unless AC_2^0 -QSETH is false or MAJORITY $\notin \mathcal{CO}(\text{AC}_2^0)$ (i.e., [Item 4 of Conjecture 2.5](#) is false).

We can extend the above-mentioned arguments to compute the total number of assignments in \mathbb{F}_q for any $q \geq 2$ as well. To understand the complexity of $\#_q$ CNFSAT ([Definition 2.2](#)) we first need to understand the quantum query complexity of COUNT_q .

Lemma 2.9. *Let $2 < q \leq \frac{N}{2}$ be an integer and let $\text{COUNT}_q : \{0,1\}^N \rightarrow [q-1]$ be a function such that for any $x \in \{0,1\}^N$ the $\text{COUNT}_q(x) = \text{COUNT}(x) \bmod q$. Then $Q(\text{COUNT}_q) = \Omega(\sqrt{N(N-2q+1)})$.*

Proof. Let DEC-COUNT_q be a decision version of the COUNT_q defined for all $x \in \{0,1\}^N$ as

$$\text{DEC-COUNT}_q(x) = \begin{cases} 1, & \text{if } \text{COUNT}_q(x) = q-1, \\ 0, & \text{otherwise.} \end{cases} \quad (1)$$

Beals et al. showed that the bounded error quantum query complexity of any Boolean function is lower bounded by the approximate degree of that function [[BBC⁺01](#)]. When the function is non-constant and symmetric then one can use Paturi's theorem to characterise the approximate degree of that function [[Pat92](#)]. It is easy to see that DEC-COUNT_q is a non-constant symmetric function. Combining both these results we get that $Q(\text{DEC-COUNT}_q) = \Omega(\sqrt{N(N-\eta(\text{DEC-COUNT}_q)})$; we compute the value of $\eta(\text{DEC-COUNT}_q)$ in the next paragraph.

For any symmetric Boolean function $f : \{0,1\}^N \rightarrow \{0,1\}$ the quantity $\eta(f)$ is defined as $\eta(f) = \min_k \{|2k - N + 1|\}$ such that $f_k \neq f_{k+1}$ and $f_k = f(x)$ for $|x| = k$ with $1 \leq k \leq N-1$. It is easy to see that $\text{DEC-COUNT}_q(x) = 1$ only for x with hamming weight $|x| = rq - 1$ where r is an integer and $\text{DEC-COUNT}_q(x) = 0$ elsewhere. Let r' be the integer such that $r'q - 1 \leq \frac{N}{2} \leq (r'+1)q - 1$ then the k minimising $\eta(\text{DEC-COUNT}_q)$ is either $r'q - 1$ or $(r'+1)q - 1$. With a back-of-the-envelope-calculation we can see that $\eta(\text{DEC-COUNT}_q) \leq 2q - 1$ which in turn implies that $N - \eta(\text{DEC-COUNT}_q) \geq N - 2q + 1$. Therefore, $Q(\text{DEC-COUNT}_q) = \Omega(\sqrt{N(N-2q+1)})$.

As one can compute DEC-COUNT_q using an algorithm that computes COUNT_q , we therefore have $Q(\text{COUNT}_q) = \Omega(\sqrt{N(N-2q+1)})$. \square

Using [Conjectures 1.3](#) and [2.5](#) we can now conclude the following.

Corollary 2.10 ($\#_q$ QSETH). *Let $2 < q \leq 2^{n-1}$. There is no bounded error quantum algorithm that solves $\#_q$ CNFSAT on n variables and m clauses in $O\left(\left(\sqrt{2^n(2^n - 2q + 1)}\right)^{1-\delta} m^{O(1)}\right)$ time for any constant $\delta > 0$ unless AC_2^0 -QSETH ([Conjecture 1.3](#)) is false or $\text{COUNT}_q \notin \mathcal{CO}(\text{AC}_2^0)$ (i.e., [Item 3 of Conjecture 2.5](#) is false).*

2.3 Quantum complexity of Δ -add-#CNFSAT

Instead of the exact number of satisfying assignments to a formula, one might be interested in its additive error approximation. Towards that, we define the Δ -ADD-#CNFSAT as follows.

Definition 2.11 (Δ -ADD-#CNFSAT). *Given an input a CNFSAT formula on n Boolean variables and m clauses. The problem is to output an additive error approximation of the total number of satisfying assignments, i.e., an integer d such that $|d - d'| < \Delta$ where d' is the number of assignments to these n variables that satisfy the given formula and $\Delta \in [1, 2^n]$.*

This problem ([Definition 2.11](#)) can be viewed as computing the following property on the truth table of the given formula.

Definition 2.12 (Δ -ADD-COUNT). *Given a Boolean string $x \in \{0, 1\}^N$, the Δ -ADD-COUNT(x) is an integer such that $|\Delta\text{-ADD-COUNT}(x) - |x|| < \Delta$ where $|x| = |\{i : x \in \{0, 1\}^N \text{ and } x_i = 1\}|$ and $\Delta \in [1, N]$.*

The bounded-error quantum query complexity for computing Δ -ADD-COUNT was studied in [\[NW99\]](#). They showed the following result.

Theorem 2.13 (Theorem 1.11 in [\[NW99\]](#)). *Any quantum algorithm computing Δ -ADD-COUNT(x) for an $x \in \{0, 1\}^N$ and $\Delta \in [1, N]$ ([Definition 2.12](#)) requires to make $\Omega\left(\sqrt{\frac{N}{\Delta}} + \frac{\sqrt{t(N-t)}}{\Delta}\right)$ quantum queries to x where $t = |x|$.*

For values of $\Delta = o(\sqrt{t})$ we are unable to prove the compression-obliviousness of this property. Hence, we make the following conjecture.

Conjecture 2.14. *Let AC_2^0 denote the class of $\text{poly}(n)$ size CNF and DNF formulas on n input variables the property Δ -ADD-COUNT is compression oblivious corresponding to AC_2^0 , i.e. $\Delta\text{-ADD-COUNT} \in \mathcal{CO}(\text{AC}_2^0)$.*

One can now establish the time lower bound for computing the Δ -ADD-COUNT on $\text{poly}(n)$ sized CNF and DNF formulas. However, this doesn't automatically imply the same lower bound for the case when there are only CNF formulas to consider. Fortunately, Δ -ADD-COUNT is defined in such a way that computing this property is equally hard for both CNF and DNF formulas. More precisely, the following statement holds.

Theorem 2.15 (Δ -ADD-#QSETH). *Let n be an integer and let $\Delta \in [\frac{1}{2}, 2^n]$. Conditional on AC_2^0 -QSETH ([Conjecture 1.3](#)) and [Conjecture 2.14](#), there is no bounded error quantum algorithm that solves Δ -ADD-#CNFSAT on CNF formulas with n variables and $m = \text{poly}(n)$ clauses in $O\left(\left(\sqrt{\frac{N}{\Delta}} + \frac{\sqrt{t(N-t)}}{\Delta}\right)^{1-\alpha} m^{O(1)}\right)$ time for any constant $\alpha > 0$.*

Proof. By way of contradiction let's assume that there is an algorithm \mathcal{A} such that given a CNF formula it can compute the Δ -ADD-COUNT on its truth table in $O\left(\left(\sqrt{\frac{N}{\Delta}} + \frac{\sqrt{t(N-t)}}{\Delta}\right)^{1-\beta} m^{O(1)}\right)$ time for some constant $\beta > 0$.

Then, given a $\text{poly}(n)$ sized DNF formula on n variables and m clauses, let us denote that by ϕ , we can run Algorithm \mathcal{A} on $\neg\phi$ and use its output which is a Δ additive error approximation

of the number of satisfying assignments to $\neg\phi$ to compute a Δ additive error approximation of the number of satisfying assignments to ϕ .

Let us denote the number of satisfying assignments of $\neg\phi$ by d' and the output of Algorithm \mathcal{A} by d . This means we have $|d - d'| < \Delta$. We claim that $2^n - d$ will be a Δ additive error approximation of $2^n - d'$, which is the number of satisfying assignments of ϕ ; $|(2^n - d) - (2^n - d')| = |d' - d| < \Delta$.

Therefore, a $O\left(\left(\sqrt{\frac{N}{\Delta}} + \frac{\sqrt{t(N-t)}}{\Delta}\right)^{1-\beta} m^{O(1)}\right)$ time (for some constant $\beta > 0$) algorithm for computing Δ -ADD-COUNT on truth table of CNF formulas also implies the same run time for computing Δ -ADD-COUNT on truth table of DNF formulas; this violates the combination of AC_2^0 -QSETH and [Conjecture 2.14](#). Hence, proved. \square

2.4 Quantum complexity of γ -#CNFSAT and other related problems

One other approximation of the count of satisfying assignments is the multiplicative factor approximation, defined as follows.

Definition 2.16 (γ -#CNFSAT). *Let $\gamma \in (0, 1)$. The γ -#CNFSAT is defined as follows. The input is a CNFSAT formula on n Boolean variables and m clauses. The problem is to output an integer d such that $(1 - \gamma)d' < d < (1 + \gamma)d'$ where d' is the number of assignments to these n variables that satisfy the given formula.⁷*

The expression $(1 - \gamma)d' < d < (1 + \gamma)d'$, which is same as $(d' - \gamma d') < d < (d' + \gamma d')$, can be categorised into the following two cases.

- Case 1 is when $\gamma d' \leq 1$: in this regime, the algorithm solving γ -#CNFSAT is expected to return the value d' which is the *exact* count of the number of solutions to the CNFSAT problem and from [Theorem 2.6](#) we know that there is no $O^*(2^{n(1-\varepsilon)})$ time algorithm, for any constant $\varepsilon > 0$, that can compute the exact number of solutions to input CNF formula; this is a tight lower bound.
- Case 2 is when $\gamma d' > 1$: in this regime, the algorithm solving γ -#CNFSAT is expected to return value d which is the γ -*approximate relative count* of the number of solutions to the CNFSAT problem. Using AC_2^0 -QSETH we are able to prove a lower bound for γ -#CNFSAT that accounts for the approximation factor γ also when $\gamma d' > 1$. We use the rest of this section towards proving this result.

In order to understand the hardness of γ -#CNFSAT we will first try to understand how hard it is to compute the following property on poly-sized CNF and DNF formulas. Let $f_{\ell, \ell'} : \mathcal{D} \rightarrow \{0, 1\}$ with $\mathcal{D} \subset \{0, 1\}^N$ be a partial function defined as follows

$$f_{\ell, \ell'} = \begin{cases} 1, & \text{if } |x| = \ell, \\ 0, & \text{if } |x| = \ell'. \end{cases}$$

⁷The same results hold if the approximation is defined with the equalities, i.e., $(1 - \gamma)d' \leq d \leq (1 + \gamma)d'$. An additional observation under this changed definition of γ -#CNFSAT is as follows. Given a CNF formula as input, the algorithm for γ -#CNFSAT outputs 0 only when there is no satisfying assignment to that formula. Hence, one can decide satisfiability of a given CNF formula using the algorithm for γ -#CNFSAT. Therefore, the same lower bound from BASIC-QSETH carries for this changed definition of γ -#CNFSAT.

Nayak and Wu in [NW99] analysed the minimum degree of any polynomial approximating $f_{\ell,\ell'}$ and by invoking the Beals et al. result [BBC⁺01] gave a lower bound on the quantum query complexity of $f_{\ell,\ell'}$ as mentioned in the following statement.

Corollary 2.17 (Rephrasing Corollary 1.2 in [NW99]). *Let $f_{\ell,\ell'} : \mathcal{D} \rightarrow \{0,1\}$ where $\mathcal{D} \subset \{0,1\}^N$ and*

$$f_{\ell,\ell'} = \begin{cases} 1, & \text{if } |x| = \ell, \\ 0, & \text{if } |x| = \ell'. \end{cases}$$

Let $\Delta_\ell = |\ell - \ell'|$ and let $p \in \{\ell, \ell'\}$ such that $|\frac{N}{2} - p|$ is maximized. Then the bounded error quantum query complexity of $f_{\ell,\ell'}$ is $\Omega\left(\sqrt{\frac{N}{\Delta_\ell}} + \frac{\sqrt{p(N-p)}}{\Delta_\ell}\right)$.

Using AC_2^0 -QSETH we will now show that for a choice of ℓ, ℓ' computing $f_{\ell,\ell'}$ on truth tables of CNF formulas of $\text{poly}(n)$ size requires $\Omega\left(\sqrt{\frac{2^n}{\Delta_\ell}} + \frac{\sqrt{p(2^n-p)}}{\Delta_\ell}\right)$ time where $\Delta_\ell = |\ell - \ell'|$ and $p \in \{\ell, \ell'\}$ that maximises $|2^{n-1} - p|$. The only caveat (as also witnessed several times earlier) is that we cannot prove the compression obliviousness of $f_{\ell,\ell'}$ hence we state and use the following conjecture.

Conjecture 2.18. *Let AC_2^0 denote the class of $\text{poly}(n)$ size CNF and DNF formulas on n input variables then for any pair of integers $\ell \in [2^n] \cup \{0\}$ and $\ell' \in [2^n] \cup \{0\}$ the property $f_{\ell,\ell'}$ is compression oblivious corresponding to AC_2^0 , i.e. $f_{\ell,\ell'} \in \mathcal{CO}(\text{AC}_2^0)$.⁸*

We can now prove the following.

Lemma 2.19. *Let n be an integer and let $\ell \in [2^n] \cup \{0\}$ and $\ell' \in [2^n] \cup \{0\}$. Then conditional on [Conjecture 2.18](#) and AC_2^0 -QSETH ([Conjecture 1.3](#)) then at least one of the following is true.*

- *There is no bounded error quantum algorithm that can compute $f_{\ell,\ell'}$ on the truth table of $\text{poly}(n)$ size CNF formulas defined on n variables in $O^*\left(\left(\sqrt{\frac{2^n}{\Delta_\ell}} + \frac{\sqrt{p(2^n-p)}}{\Delta_\ell}\right)^{1-\delta}\right)$ time for any constant $\delta > 0$.*
- *There is no bounded error quantum algorithm that can compute $f_{N-\ell, N-\ell'}$ on the truth table of $\text{poly}(n)$ size CNF formulas defined on n variables in $O^*\left(\left(\sqrt{\frac{2^n}{\Delta_\ell}} + \frac{\sqrt{p(2^n-p)}}{\Delta_\ell}\right)^{1-\delta}\right)$ time for any constant $\delta > 0$.*

Here $\Delta_\ell = |\ell - \ell'|$ and $p \in \{\ell, \ell'\}$ is such that $|2^{n-1} - p|$ is maximized.

Proof. Let N be an integer that we will fix later and let $f'_{\ell,\ell'} : \{0,1\}^N \rightarrow \{0,1\}$ be defined as follows

$$f'_{\ell,\ell'} = \begin{cases} 1, & \text{if } |x| = N - \ell, \\ 0, & \text{if } |x| = N - \ell'. \end{cases}$$

⁸Note that, there are some values of ℓ, ℓ' for which $f_{\ell,\ell'}$ will be provably compression oblivious, for e.g., $\ell = 1$ and $\ell' = 0$ would capture the OR property which is compression oblivious; see [Section 2.1](#).

It is not hard to see $f'_{\ell,\ell'}$ is the same as function $f_{N-\ell,N-\ell'}$. Fortunately, both the functions $f_{N-\ell,N-\ell'}$ and $f_{\ell,\ell'}$ have the same value of Δ_ℓ and h where $h = p(N-p)$. Therefore the bounded error quantum query complexity of $f'_{\ell,\ell'}$ is $\Omega\left(\sqrt{\frac{N}{\Delta_\ell}} + \frac{\sqrt{p(N-p)}}{\Delta_\ell}\right)$ where $\Delta_\ell = |\ell - \ell'|$ and $p \in \{\ell, \ell'\}$ such that $|\frac{N}{2} - p|$ is maximised; same as the bounded error quantum query complexity of $f_{\ell,\ell'}$ as mentioned in [Corollary 2.17](#).

Moreover, as $f'_{\ell,\ell'}$ is the same function $f_{N-\ell,N-\ell'}$ it is therefore clear from [Conjecture 2.18](#) that $f'_{\ell,\ell'} \in \mathcal{CO}(\text{AC}_2^0)$ which means there is no bounded error quantum algorithm that can compute $f'_{\ell,\ell'}$ or $f_{\ell,\ell'}$ on truth tables of $\text{poly}(n)$ size CNF or DNF formulas defined on n input variables in $O^*\left(\left(\sqrt{\frac{2^n}{\Delta_\ell}} + \frac{\sqrt{p(2^n-p)}}{\Delta_\ell}\right)^{1-\delta}\right)$ time for any constant $\delta > 0$ unless $\text{AC}_2^0\text{-QSETH}$ is false. We will now show that conditional on $\text{AC}_2^0\text{-QSETH}$ this result holds even when we restrict ourselves to only $\text{poly}(n)$ sized CNF formulas.

Having introduced $f'_{\ell,\ell'}$ we will now prove [Lemma 2.19](#) using the following propositions.

- **Proposition A** There is no bounded error quantum algorithm that can compute $f_{\ell,\ell'}$ on truth table of CNF formulas defined on n variables in $O^*\left(\left(\sqrt{\frac{2^n}{\Delta_\ell}} + \frac{\sqrt{p(2^n-p)}}{\Delta_\ell}\right)^{1-\delta}\right)$ time for any $\delta > 0$.
- **Proposition B** There is no bounded error quantum algorithm that can compute $f_{\ell,\ell'}$ on truth table of DNF formulas defined on n variables in $O^*\left(\left(\sqrt{\frac{2^n}{\Delta_\ell}} + \frac{\sqrt{p(2^n-p)}}{\Delta_\ell}\right)^{1-\delta}\right)$ time for any $\delta > 0$.
- **Proposition C** There is no bounded error quantum algorithm that can compute $f'_{\ell,\ell'}$ on truth table of CNF formulas defined on n variables in $O^*\left(\left(\sqrt{\frac{2^n}{\Delta_\ell}} + \frac{\sqrt{p(2^n-p)}}{\Delta_\ell}\right)^{1-\delta}\right)$ time for any $\delta > 0$.
- **Proposition D** There is no bounded error quantum algorithm that can compute $f'_{\ell,\ell'}$ on truth table of DNF formulas defined on n variables in $O^*\left(\left(\sqrt{\frac{2^n}{\Delta_\ell}} + \frac{\sqrt{p(2^n-p)}}{\Delta_\ell}\right)^{1-\delta}\right)$ time for any $\delta > 0$.

Conditional on [Conjecture 2.18](#) and $\text{AC}_2^0\text{-QSETH}$ the following statements hold.

- **Claim 1** At least one of the propositions A or B is true.
- **Claim 2** At least one of the propositions C or D is true.
- **Claim 3** At least one of the propositions A or C is true; by way of contradiction let us assume that both propositions A and C are false, this means there exist algorithms $\mathcal{A}, \mathcal{A}'$ that for an $\alpha > 0$ and $\alpha' > 0$ compute $f_{\ell,\ell'}$ and $f'_{\ell,\ell'}$ on the truth table of $\text{poly}(n)$ size CNF formulas defined on n input variables in $O^*\left(\left(\sqrt{\frac{2^n}{\Delta_\ell}} + \frac{\sqrt{p(2^n-p)}}{\Delta_\ell}\right)^{1-\alpha}\right)$ time and in

$O^* \left(\left(\sqrt{\frac{2^n}{\Delta_\ell}} + \frac{\sqrt{p(2^n-p)}}{\Delta_\ell} \right)^{1-\alpha'} \right)$ time, respectively. Moreover, if propositions A and C are false then from Claims 1 and 2 we can deduce that both B and D must be true which means there is no quantum algorithm that can compute $f_{\ell,\ell'}$ or $f'_{\ell,\ell'}$ on the truth table of poly(n) size DNF formulas on n input variables in $O^* \left(\left(\sqrt{\frac{2^n}{\Delta_\ell}} + \frac{\sqrt{p(2^n-p)}}{\Delta_\ell} \right)^{1-\delta} \right)$ time for any $\delta > 0$. However, given a DNF formula ϕ as an input to compute $f_{\ell,\ell'}$ on its truth table one can instead compute $f'_{\ell,\ell'}$ on the negation of ϕ , let us denote by $\neg\phi$, using algorithm \mathcal{A}' on $\neg\phi$ in $O^* \left(\left(\sqrt{\frac{2^n}{\Delta_\ell}} + \frac{\sqrt{p(2^n-p)}}{\Delta_\ell} \right)^{1-\alpha'} \right)$ time which is a contradiction. This means at least one of the two propositions A or C must be true which is exactly the statement of [Lemma 2.19](#).

□

It is then not hard to see that for the values when $\ell + \ell' = N$ the following result holds.

Corollary 2.20. *Let n be an integer and let $\ell \in [2^n] \cup \{0\}$ and $\ell' \in [2^n] \cup \{0\}$ such that $\ell + \ell' = 2^n$. Then there is no bounded error quantum algorithm that can compute $f_{\ell,\ell'}$ on the truth table of poly(n) size CNF formulas defined on n variables in $O^* \left(\left(\sqrt{\frac{2^n}{\Delta_\ell}} + \frac{\sqrt{\ell\ell'}}{\Delta_\ell} \right)^{1-\delta} \right)$ time for any constant $\delta > 0$ unless $\text{AC}_2^0\text{-QSETH}$ or [Conjecture 2.18](#) is false; here $\Delta_\ell = |\ell - \ell'|$.*

Inspired by arguments used in the proof of Theorem 1.13 in [\[NW99\]](#), we will now use [Corollary 2.20](#) to prove the following result. Our result holds for $\gamma \in \left[\frac{1}{2^n}, \frac{1}{2} \right)$; this range of γ suffices for our reductions presented in the later sections.

Theorem 2.21 ($\gamma\text{-}\#\text{QSETH}$). *Let n be an integer and let $\gamma \in \left[\frac{1}{2^n}, \frac{1}{2} \right)$. Conditional on $\text{AC}_2^0\text{-QSETH}$ and [Conjecture 2.18](#), there is no bounded error quantum algorithm that solves $\gamma\text{-}\#\text{CNFSAT}$ on n variables and $m = \text{poly}(n)$ clauses*

1. in $O \left(\left(\frac{1}{\gamma} \sqrt{\frac{2^n - \hat{h}}{\hat{h}}} \right)^{1-\delta} m^{O(1)} \right)$ time, for any constant $\delta > 0$, whenever $\gamma\hat{h} > 1$, and
2. in $O(2^{n(1-\delta)} m^{O(1)})$ time, for any constant $\delta > 0$, whenever $\gamma\hat{h} \leq 1$.

Here \hat{h} denotes the number of satisfying assignments to the input CNF formula.

We prove the first part of [Theorem 2.21](#) in the following way and use the result from [Theorem 2.6](#) for the second part. Given a value of $\gamma \in \left[\frac{1}{2^n}, \frac{1}{2} \right)$ we will fix values of $\ell \in [2^n] \cup \{0\}$ and $\ell' \in [2^n] \cup \{0\}$ such that we are able to compute $f_{\ell,\ell'}$ on truth table of an input CNF formulas on n variables and m clauses using the algorithm that solves $\gamma\text{-}\#\text{CNFSAT}$. Hence, showing a lower bound on $\gamma\text{-}\#\text{CNFSAT}$ using the lower bound result from [Corollary 2.20](#).

Proof. Let $N = 2^n$ and let $\gamma \in \left[\frac{1}{N}, \frac{1}{2} \right)$. Let $\ell = \frac{N}{2} + \lceil \gamma t \rceil = \left\lceil \frac{N}{2} + \gamma t \right\rceil$ and $\ell' = \frac{N}{2} - \lceil \gamma t \rceil = \left\lfloor \frac{N}{2} - \gamma t \right\rfloor$; here $t \in [N]$ is a value that we will fix later but in any case, we have $1 \leq \lceil \gamma t \rceil < \frac{N}{2}$. With that, we

are ensured that $\gamma\ell > \frac{1}{2}$. We also make sure to choose values ℓ, ℓ' in such a way that $\gamma\ell' = \Omega(1)$. Clearly, $\ell + \ell' = N$ and $\Delta_\ell = |\ell - \ell'| = 2\lceil\gamma t\rceil$ therefore by invoking the result from [Corollary 2.20](#) we can say that for these values of ℓ, ℓ' there is no bounded error quantum algorithm that can solve $f_{\ell, \ell'}$ on truth table of CNF formulas in $O\left(\left(\sqrt{\frac{N}{\lceil\gamma t\rceil}} + \sqrt{\frac{\ell(N-\ell)}{\lceil\gamma t\rceil}}\right)^{1-\delta} m^{O(1)}\right)$ time, for any $\delta > 0$;

let us denote this claim by (*).

Let \mathcal{A} be an algorithm that computes γ -#CNFSAT to the relative error approximation γ , i.e., Algorithm \mathcal{A} returns a value h such that $(1 - \gamma)\hat{h} < h < (1 + \gamma)\hat{h}$ where \hat{h} is the actual number of satisfying assignments of the input CNF formula. Given $\ell = \frac{N}{2} + \lceil\gamma t\rceil$ and $\ell' = \frac{N}{2} - \lceil\gamma t\rceil$ there are values of $t \in [N]$ such that we will be able to distinguish whether the number of satisfying assignments to a formula is ℓ or ℓ' using Algorithm \mathcal{A} . As $\ell > \ell'$ in our setup, we want t such that $\ell'(1 + \gamma) < \ell(1 - \gamma)$; it is then necessary that $\gamma N < 2\lceil\gamma t\rceil$; let us denote this as Condition 1.

Now we set the values of ℓ and ℓ' . Given a value of $\gamma \in [\frac{1}{N}, \frac{1}{2})$ set $\ell = \lceil\frac{N}{2(1-\gamma)}\rceil$ and set $\ell' = N - \ell$; this means $\frac{N}{2(1-\gamma)} \leq \ell < \frac{N}{2(1-\gamma)} + 1$ and $\frac{N(1-2\gamma)}{2(1-\gamma)} - 1 < \ell' \leq \frac{N(1-2\gamma)}{2(1-\gamma)}$ and $\frac{\gamma N}{(1-\gamma)} \leq |\ell - \ell'| < \frac{\gamma N}{(1-\gamma)} + 2$ therefore $2\gamma\ell - 2\gamma \leq |\ell - \ell'| < 2\gamma\ell + 2$.⁹ We know from claim (*) that all algorithms that (for these values of ℓ, ℓ') compute $f_{\ell, \ell'}$ on CNF formulas require $\Omega(L^{1-\delta})$ time for all $\delta > 0$ where $L = \frac{1}{\gamma}\sqrt{\frac{N-\ell}{\ell+1}} = \Omega\left(\frac{1}{\gamma}\sqrt{\frac{N-\ell}{\ell}}\right)$. Moreover, ℓ' when expressed in terms of ℓ and γ is

as follows $(\ell - 1)(1 - 2\gamma) - 1 < \ell' \leq \ell(1 - 2\gamma)$. Therefore, we can see that $L = \Omega\left(\frac{1}{\gamma}\sqrt{\frac{N-\ell}{\ell}}\right) = \Omega\left(\frac{1-2\gamma}{\gamma}\sqrt{\frac{N-\ell'}{\ell'}}\right) = \Omega\left(\frac{1}{\gamma}\sqrt{\frac{N-\ell'}{\ell'}}\right)$; the last equality holds because $\frac{1-2\gamma}{\gamma}\sqrt{\frac{N-\ell'}{\ell'}} > c_0 \cdot \frac{1}{\gamma}\sqrt{\frac{N-\ell'}{\ell'}}$ where c_0 is some constant strictly less than 1.¹⁰

It is also easy to see that if $\ell = \lceil\frac{N}{2(1-\gamma)}\rceil$ were to be expressed as $\frac{N}{2} + \lceil\gamma t\rceil$ then for that value of t we have $\lceil\gamma t\rceil \geq \frac{N\gamma}{2(1-\gamma)} > \frac{N\gamma}{2}$ which satisfies Condition 1 implying that this is in the case where we can use Algorithm \mathcal{A} to distinguish whether the number of satisfying assignments to a formula is ℓ or ℓ' . Hence given a CNF formula as input, we will be able to now use Algorithm \mathcal{A} to distinguish whether the number of satisfying assignments is ℓ or ℓ' . Let $T = \frac{1}{\gamma}\sqrt{\frac{N-\ell}{\ell}} + \frac{1}{\gamma}\sqrt{\frac{N-\ell'}{\ell'}} = O\left(\frac{1}{\gamma}\sqrt{\frac{N-\ell'}{\ell'}}\right)$ because $\ell' < \ell$. If Algorithm \mathcal{A} can solve the γ -#CNFSAT on an input CNF that has \hat{h} number of satisfying assignments in $O\left(\left(\frac{1}{\gamma}\sqrt{\frac{N-\hat{h}}{\hat{h}}}\right)^{1-\delta} m^{O(1)}\right)$ time, for some constant $\delta > 0$, then we are essentially computing $f_{\ell, \ell'}$ in $O(T^{1-\delta} m^{O(1)})$ time, which is a contradiction to claim (*); hence the first part of the statement of [Theorem 2.21](#) proved.

Proof of the second part of this theorem follows from [Theorem 2.6](#) as the regime $\gamma\hat{h} \leq 1$ translates to exactly counting the number of satisfying assignments. □

⁹To view the calculations in a less cumbersome way one can use the fact that asymptotically $\ell = \frac{N}{2(1-\gamma)}$, $\ell' = \frac{N(1-2\gamma)}{2(1-\gamma)}$ and $|\ell - \ell'| = \frac{\gamma N}{(1-\gamma)} = 2\gamma\ell$.

¹⁰Note that we need $c_0 < 1$ which means this would require that $\gamma \in [\frac{1}{N}, \frac{1-c_0}{2})$ instead of the range $\gamma \in [\frac{1}{N}, \frac{1}{2})$ that we considered earlier.

2.5 Quantum complexity of #k-SAT and other related problems

While $\text{AC}_2^0\text{-QSETH}$ can be used to comment on the quantum hardness of several properties on truth tables of CNF formulas, it however doesn't immediately allow for making similar hardness assumptions for bounded width k -CNF formulas. In fact, one has to be extremely careful while making such general hardness assumptions in the case of bounded width CNF formulas, such a thing can be witnessed in [AW21]. However, sometimes reductions from CNF-SAT to lattice problems [BGS17], require that the width of the input formulas gets encoded exponentially as the dimension of the vector of the lattice problems, which is undesirable when k approaches n , which however is tolerable for smaller k . Hence, we would like to say something interesting about hardness # k -SAT or $\oplus k$ -SAT say when $k = \Theta(\log n)$. Turns out that we can do so by basing the hardness on #QSETH.

To do so, we use the randomised classical algorithm by Rainer Schuler [Sch05] that solves CNF-SAT on n variables, m clauses in $O(\text{poly}(n)2^{n(1-1/(1+\log m))})$ expected time. This algorithm can be viewed as a Turing reduction from SAT with bounded clause density to SAT with bounded clause width, which was analyzed in [CIP06], a result that we directly use.

Algorithm 1 ReduceWidth $_k(\psi)$

Input: CNF formula ψ

- 1: **if** ψ has no clause of width $> k$ **then**
 - 2: output ψ
 - 3: **else**
 - 4: let $C' = \{l_1, \dots, l_{k'}\}$ be a clause of ψ of width $k' > k$
 - 5: $C = \{l_1, \dots, l_k\}$
 - 6: $\psi_0 \leftarrow \psi - \{C'\} \cup \{C\}$
 - 7: $\psi_1 \leftarrow \psi \wedge \neg l_1 \wedge \neg l_2 \wedge \dots \wedge \neg l_k$
 - 8: $\psi_1 \leftarrow$ Remove variables corresponding to literals l_1, \dots, l_k from ψ_1 by setting $l_1 = 0, \dots, l_k = 0$
 - 9: ReduceWidth $_k(\psi_0)$
 - 10: ReduceWidth $_k(\psi_1)$
-

Algorithm 1, the ReduceWidth $_k$ subroutine takes an input a CNF formula, say ψ , of width greater than k and then outputs a list of k -CNF formulas ψ_i where the solutions of the input formula is the union of the solutions of the output formulas, i.e., $\text{sol}(\psi) = \cup_i \text{sol}(\psi_i)$ where $\text{sol}(\phi)$ denotes the set of satisfying assignments to a formula ϕ . In fact, it is not hard to see that the count of the number of satisfying assignments also is preserved, i.e., $|\text{sol}(\psi)| = \sum_i |\text{sol}(\psi_i)|$.

Lemma 2.22 (Implicit from Section 3.2 in [CIP06]). *Algorithm 1 takes as input a CNF formula ψ on n input variables, m clauses, and is of width strictly greater than k and outputs a number of k -CNF formulas ψ_i each defined on at most n input variables and at most m clauses such that $|\text{sol}(\psi)| = \sum_i |\text{sol}(\psi_i)|$.*

Proof. Let $\psi = C'_1 \wedge C'_2 \wedge \dots \wedge C'_m$ be the input CNF formula to **Algorithm 1**. The algorithm finds the first clause C'_i that has its width $k' > k$. Let $C'_i = (l_1 \vee l_2 \vee \dots \vee l_{k'})$ and $C_i = (l_1 \vee l_2 \vee \dots \vee l_k)$. The algorithm then constructs two formulas $\psi_0 = \psi - \{C'_i\} \cup \{C_i\}$ and $\psi_1 = \psi \wedge \neg l_1 \wedge \neg l_2 \wedge \dots \wedge \neg l_k$. Then recursively calls the subroutine on ψ_0 and ψ_1 . We now claim the following.

Claim 2.23. $\text{sol}(\psi_0) \cap \text{sol}(\psi_1) = \emptyset$ and $\text{sol}(\psi) = \text{sol}(\psi_0) \cup \text{sol}(\psi_1)$, i.e., $\text{sol}(\psi) = \text{sol}(\psi_0) \sqcup \text{sol}(\psi_1)$.

Proof. Let $x \in \text{sol}(\psi_0)$ and then the clause $C_i(x) = (l_1(x) \vee \dots \vee l_k(x))$ should evaluate to 1. Which means $\neg(l_1(x) \vee \dots \vee l_k(x)) = 0$, which using De Morgan's laws implies $(\neg l_1(x) \wedge \dots \wedge \neg l_k(x)) = 0$, which means that $\psi_1(x) = \psi(x) \wedge \neg l_1(x) \wedge \dots \wedge \neg l_k(x) = 0$. Similar argument can be used to show that if $x \in \text{sol}(\psi_1)$ then $x \notin \text{sol}(\psi_0)$. Therefore, $\text{sol}(\psi_0) \cap \text{sol}(\psi_1) = \emptyset$.

What remains to show is $\text{sol}(\psi) = \text{sol}(\psi_0) \cup \text{sol}(\psi_1)$.

- If $x \in \text{sol}(\psi_0)$ then $C_i(x) = 1$ which implies $C'_i(x) = 1$, therefore $x \in \text{sol}(\psi)$. If $x \in \text{sol}(\psi_1)$ then $\psi_1(x) = 1$, but $\psi_1(x) = \psi(x) \wedge \neg l_1(x) \wedge \neg l_2(x) \wedge \dots \wedge \neg l_k(x)$ which means $\psi(x) = 1$ as well. Therefore, if $x \in \text{sol}(\psi_0) \cup \text{sol}(\psi_1)$ then $x \in \text{sol}(\psi)$.
- If $x \in \text{sol}(\psi)$ then $\psi(x) = 1$ which means $C'_i(x) = 1$. However, $C'_i(x) = (l_1(x) \vee \dots \vee l_k(x)) \vee (l_{k+1}(x) \vee \dots \vee l'_k(x))$. Which means either $(l_1(x) \vee \dots \vee l_k(x)) = C_i(x) = 1$ or $(l_{k+1}(x) \vee \dots \vee l'_k(x)) = 1$ or both evaluate to 1. If $C_i(x) = 1$ then $\psi_0(x) = 1$ which would mean $x \in \text{sol}(\psi_0)$. If $C_i(x) = 0$ then $\psi_1(x) = \psi(x) \wedge (\neg C_i(x)) = 1$ which means $x \in \text{sol}(\psi_1)$.

Therefore, $\text{sol}(\psi) = \text{sol}(\psi_0) \sqcup \text{sol}(\psi_1)$. □

Using the statement of **Claim 2.23** we conclude that $\text{sol}(\psi) = \sqcup_i \text{sol}(\psi_i)$, consequently implying that $|\text{sol}(\psi)| = \sum_i |\text{sol}(\psi_i)|$. □

Using **Lemma 2.22** from this paper and Lemma 5 in [CIP06] we will now show the hardness of k -SAT and its popular counting variants when $k = \Theta(\log n)$.

Corollary 2.24. *Conditional on AC_2^0 -QSETH (**Conjecture 1.3**) and **Conjecture 2.5**, there are no bounded error quantum algorithms that for $k = \Theta(\log n)$ solve*

1. k -SAT in $O(2^{sn/2})$ time,
2. $\#k$ -SAT in $O(2^{sn})$ time,
3. $\oplus k$ -SAT in $O(2^{sn})$ time,
4. $\oplus_q k$ -SAT in $O(2^{sn})$ time,

for any constant $s < 1$, respectively.

Proof. Consider the ReduceWidth_k algorithm. Let p be some path of length t in the tree T of recursive calls to **Algorithm 1**. Let ψ_p be the output formula of width k on the path p . Let l, r be the number of left, right turns respectively on path p . Every left branch in the path reduces the width of exactly 1 clause to k , therefore $l \leq m$. On the other hand, with additional $\text{poly}(n, m)$ time every right branch of path p reduces the number of variables by k , therefore $r \leq n/k$. Therefore number of paths in tree T with r right branches is at most $\binom{m+r}{r}$.

Now suppose there is an algorithm S that solves $\#k$ -SAT in 2^{ns} for some $s < 1$ for all $k = \Theta(\log n)$. We can use the same arguments from Lemma 5 in [CIP06] to show that this algorithm

S together with the ReduceWidth_k subroutine we can solve $\#\text{CNF-SAT}$ (ignoring $\text{poly}(n)$ factors) in time at most

$$\begin{aligned}
& \sum_{r=0}^{n/k} \binom{m+r}{r} 2^{s(n-rk)} \\
& \leq \sum_{r=0}^{n/k} \binom{m+\frac{n}{k}}{r} 2^{s(n-rk)} \\
& = 2^{sn} \sum_{r=0}^{n/k} \binom{m+\frac{n}{k}}{r} \frac{1}{2^{srk}} \\
& \leq 2^{sn} \left(1 + \frac{1}{2^{sk}}\right)^{m+\frac{n}{k}} \\
& \leq 2^{sn} e^{\frac{1}{2^{sk}}(m+\frac{n}{k})} && \text{since } (1+x) \leq e^x \\
& \leq 2^{sn+\frac{4m}{2^{sk}}} && \text{since we can assume that } m \geq \frac{n}{k}.
\end{aligned}$$

For every $s < 1$ and $m = \text{poly}(n)$ there is a setting of $k = c \log n$ for a constant $c(s, m)$ such that $s + \frac{4m}{n2^{sk}} < 1$. Therefore, a 2^{ns} (for some $s < 1$) algorithm for $\#k\text{-SAT}$ for $k = \Theta(\log n)$ would refute $\#\text{-QSETH}$ ([Theorem 2.6](#)). The same arguments hold for $k\text{-SAT}$ or $\oplus k\text{-SAT}$ as well. \square

Note that, we *cannot* extend the same arguments for the MAJORITY or st-MAJORITY or additive error approximation of count. However, these arguments extend to the multiplicative factor approximation of the count.

Corollary 2.25. *Let n be an integer and let $\gamma \in \left[\frac{1}{2^n}, \frac{1}{2}\right)$. Conditional on $\gamma\text{-}\#\text{QSETH}$, there is no bounded error quantum algorithm that for $k = \Theta(\log n)$ solves $\gamma\text{-}\#k\text{-SAT}$ on n variables and $m = \text{poly}(n)$ clauses*

1. in $O\left(\left(\frac{1}{\gamma} \sqrt{\frac{2^n - \hat{h}}{\hat{h}}}\right)^{1-\delta} m^{O(1)}\right)$ time, for any constant $\delta > 0$, whenever $\gamma \hat{h} > 1$, and
2. in $O(2^{n(1-\delta)} m^{O(1)})$ time, for any constant $\delta > 0$, whenever $\gamma \hat{h} \leq 1$.

Here \hat{h} denotes the number of satisfying assignments to the input $k\text{-CNF}$ formula.

3 Quantum strong simulation of quantum circuits

We use the phrase *strong simulation problem* to mean strong simulation of *quantum* circuits which is defined as follows.¹¹

Definition 3.1 (The strong simulation problem). *Given a quantum circuit C on n qubits, a strong simulation of C computes the value of $|\langle x|C|0^n\rangle|$, up to a desired bits of precision, for some specified $x \in \{0, 1\}^n$.*¹²

¹¹Note that, this is different from *weak simulation* problem; a weak simulation *samples* from probability distribution $p(x) = |\langle 0^n|C|x\rangle|^2$.

¹²Though in some papers the strong simulation problem requires that we output $\langle x|C|0^n\rangle$ instead of $|\langle x|C|0^n\rangle|$, we use this definition because it is more comparable to the definition of the weak simulation problem. Also, the lower bound we present holds for either of these definitions.

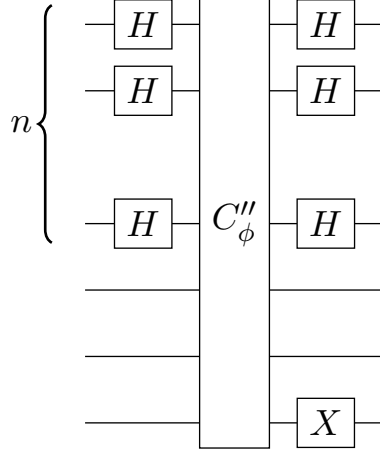


Figure 2: The circuit C_ϕ .

For a quantum circuit C , computing $|\langle x | C | 0^n \rangle|$ exactly, to a precision of n bits, is #P-hard [CHM21, VDN10]. This means even a *quantum* computer will likely require exponential time to strongly simulate another quantum circuit. In this section, we prove a more *precise* quantum time bound for strongly simulating quantum circuits, both exactly and approximately; in the approximate case, we present complexity results for both multiplicative factor and additive error approximation. Our results extend the results by [HNS20] in two directions: firstly, we give explicit (conditional) bounds proving that it is hard to strongly simulate quantum circuits using *quantum* computers as well. Secondly, we also address the open question posed by [HNS20] on the (conditional) hardness of strong simulation up to accuracy $O(2^{-n/2})$, however, our results are based on a hardness assumption different from SETH or Basic QSETH.

The results presented in this section are based on two main components. Firstly, on the observation that the reduction from CNFSAT to the strong simulation problem given (in Theorem 3) by [HNS20] encodes the count of the number of satisfying assignments; this fact allows us to use the same reduction to reduce other variants of CNFSAT, such as #CNFSAT or \oplus CNFSAT, to the strong simulation problem, moreover, the same reduction also allows us to reduce γ -#CNFSAT and Δ -ADD-#CNFSAT to analogous variants of the strong simulation problem, respectively. As the second main component, we use the quantum hardness of these variants of CNFSAT problem discussed in Section 2.

We will first state the result of the exact quantum time complexity of the strong simulation problem and then use that result to later show how hard it is for a quantum computer to strongly simulate a quantum circuit with an additive error or a multiplicative factor approximation.

Theorem 3.2. *There is no constant $\alpha > 0$ such that one can solve the strong simulation problem (Definition 3.1) up to a precision of n bits for an s -size circuit on n qubits in $2^{n(1-\alpha)} s^{O(1)}$ time, unless #QSETH (Theorem 2.6) is false.*

The proof is identical to the proof of Theorem 3 by [HNS20] which we restate here for ease of reading.

Proof. Let ϕ be a CNF formula on n input variables and $m = \text{poly}(n)$ clauses. Let C'_ϕ denote the *reversible* classical circuit, using TOFFOLI, CNOT and NOT gates, that *tidily* computes $\phi(x)$ for all $x \in \{0, 1\}^n$.¹³ One can construct circuit C'_ϕ of width k with $n \leq k \leq n + 2(\lceil \log n \rceil + \lceil \log m \rceil)$ and size $s \leq 8 \times 3^{\lceil \log n \rceil + \lceil \log m \rceil}$ with sublinear space and polynomial time overhead; see Section 4.1 of [HNS20]. Let C''_ϕ denote the quantum analogue of the classical reversible circuit C'_ϕ , i.e., for the gates in C'_ϕ , TOFFOLI and CNOT remain unchanged and NOT gate is replaced by X gate; therefore, the width and size of C''_ϕ remains k and s , respectively.

Clearly, $C''_\phi : \mathcal{H} \rightarrow \mathcal{H}$ where \mathcal{H} denotes a 2^k dimensional Hilbert space. Then, it is not hard to see that $C''_\phi |x\rangle |0^{k-n}\rangle = |x\rangle |\phi(x)\rangle |0^{k-1-n}\rangle$. Let C_ϕ denote the quantum circuit in Figure 2; width of this circuit is still k and size is $O(s)$. With a bit of calculation, it can be shown that $\langle 0^k | C_\phi | 0^k \rangle$ encodes the fraction of satisfying assignments to formula ϕ .

This means if there exists a constant $\alpha > 0$ such that *strong quantum simulation* of circuit C_ϕ on basis state $|x\rangle$ with $x = 0^k$ can be computed in $T = 2^{k(1-\alpha)} s^{O(1)}$ time up to k bits of precision, then essentially this would reveal the count of the number of satisfying assignments formula ϕ in time T . Plugging in the values of $k \leq n + 2(\lceil \log n \rceil + \lceil \log m \rceil)$ and $s \leq 8 \times 3^{\lceil \log n \rceil + \lceil \log m \rceil} = \text{poly}(n)$ we get $T \leq 2^{n(1-\alpha)} n^{O(1)}$ time; this would refute #QSETH (Theorem 2.6). Hence, proving the statement of Theorem 3.2. \square

The following corollary also gives the same lower bound for 2-bits of precision but by using a different hardness assumption (which is Majority QSETH) addressing an open question by [HNS20].^{14,15}

Corollary 3.3. *There is no $2^{n(1-\alpha)} s^{O(1)}$ time quantum algorithm, for any constant $\alpha > 0$, that can solve the strong simulation problem (Definition 3.1) up to 2 bits of precision for an s -size circuit on n qubits, unless Majority QSETH (Part 1 of Corollary 2.8) is false.*

One can also try to solve the strong simulation problem with additive error approximation with the following definition.

Definition 3.4. (Δ' additive error strong simulation) *Given a quantum circuit C on n qubits, output with $\Delta' \in [\frac{1}{2^{n+1}}, 1)$ additive error the value $d' = |\langle 0^n | C | x \rangle|$ for some specified $x \in \{0, 1\}^n$, i.e., output a value d such that $|d - d'| < \Delta'$.*

¹³A classical circuit $C : \{0, 1\}^{n+w(n)+1} \rightarrow \{0, 1\}^{n+w(n)+1}$ reversibly and tidily computes a function $f : \{0, 1\}^n \rightarrow \{0, 1\}$ if the following statements are true.

1. Circuit C **reversibly** computes f if C consists of reversible gates, such as {TOFFOLI, CNOT, NOT}, and

$$\forall x \in \{0, 1\}^n, \exists W(x) \in \{0, 1\}^{w(n)}, C(x, 0^{w(n)}, b) = (x, W(x), b \oplus f(x)). \quad (2)$$

2. Circuit C **tidily** computes f if

$$\forall x \in \{0, 1\}^n, \forall b \in \{0, 1\}, C(x, 0^{w(n)}, b) = (x, 0^{w(n)}, b \oplus f(x)). \quad (3)$$

¹⁴We must admit, this answer might not be an interesting enough answer to the open question by [HNS20] because same observation can also be made in the classical setting by basing the hardness assumption on *Majority SETH*. However, we still think it is an observation worthwhile to mention.

¹⁵Additionally, one needs to be careful about the definition of Majority SETH: mostly about what definition of Majority is being used because if the formulas under consideration are k-SAT formulas then Majority can be computed in polynomial time but Strict Majority still seems to require exponential time on k-SAT [AW21]. Hence, one way to circumvent that would be to define SETH also on CNF formulas of unbounded width, which is exactly how QSETH is defined.

Using the reduction mentioned in [Theorem 3.2](#) and the conjectured hardness of Δ -ADD-#CNFSAT problem we can prove the following.¹⁶

Corollary 3.5. *Conditional on Δ -ADD-#QSETH ([Theorem 2.15](#)), there is no bounded error quantum algorithm that can solve the strong simulation problem of an s -sized circuit C on n qubits to $\Delta' = \frac{\Delta}{2^n} \in [\frac{1}{2^{n+1}}, 1)$ additive error approximation in $\tilde{O}\left(\left(\sqrt{\frac{2^n}{\Delta}} + \frac{\sqrt{\hat{h}(2^n - \hat{h})}}{\Delta}\right)^{1-\alpha} s^{O(1)}\right)$ time for any constant $\alpha > 0$, for a specified $x \in \{0, 1\}^n$, upto n bits of precision; here $\hat{h} = \langle 0^n | C | x \rangle \cdot 2^n$.*

It is beneficial to note that, we only get (at best) a poly(n) time quantum lower bound for the strong simulation problem when $\Delta' = \frac{\Delta}{2^n} = O(1)$. Fortunately, this lower bound matches the poly(n) time quantum upper bound for the strong simulation problem when $\Delta' = O(1)$, see [Appendix A](#) in the appendix for details. In fact, for some values of \hat{h} our lower bounds are also tight in terms of Δ' ; this reassures us of our proposed conjectures.

Additionally, we are also able to show strong simulation results with multiplicative error whose definition is as follows.

Definition 3.6. (*Multiplicative γ -approximate strong simulation*) *Given a quantum circuit C on n qubits, output with γ multiplicative error the value $d' = |\langle 0^n | C | x \rangle|$ for some specified $x \in \{0, 1\}^n$, i.e., output a value d such that $(1 - \gamma)d' < d < (1 + \gamma)d'$.*

The exact arguments in the proof of [Theorem 3.2](#) can be used to prove the following statement.

Theorem 3.7. *Conditional on γ -#QSETH ([Theorem 2.21](#)), there is no bounded-error quantum algorithm that can solve the strong simulation problem to multiplicative error approximation ([Definition 3.6](#)) of an input circuit C on n qubits with error parameter $\gamma \in [\frac{1}{2^n}, \frac{1}{2})$ in*

1. in $O\left(\left(\frac{1}{\gamma} \sqrt{\frac{2^n - \hat{h}}{\hat{h}}}\right)^{1-\delta} s^{O(1)}\right)$ time, for any constant $\delta > 0$, whenever $\gamma \hat{h} \geq 1$, and
2. in $O(2^{n(1-\delta)} s^{O(1)})$ time, for any constant $\delta > 0$, whenever $\gamma \hat{h} < 1$.

Here $\hat{h} = \langle 0^n | C | x \rangle$ for a specific $x \in \{0, 1\}^n$ and s denotes the size of circuit C .

Proof. Let \mathcal{A} denote an algorithm that for a given s -sized quantum circuit C on k qubits and a given $x \in \{0, 1\}^k$ computes $\langle 0^k | C | x \rangle$ with γ multiplicative error approximation for a $\gamma \in [\frac{1}{2^k}, \frac{1}{2})$ in time

1. in $O\left(\left(\frac{1}{\gamma} \sqrt{\frac{2^k - \hat{h}}{\hat{h}}}\right)^{1-\delta} s^{O(1)}\right)$ time, for a constant $\delta > 0$, whenever $\gamma \hat{h} \geq 1$, and
2. in $O(2^{k(1-\delta')} s^{O(1)})$ time, for a constant $\delta' > 0$, whenever $\gamma \hat{h} < 1$;

here $\hat{h} = \langle 0^k | C | x \rangle \cdot 2^n$.

Then, given a CNF formula ϕ on n input variables and m clauses, one can do the following to approximately count the number of satisfying assignments to ϕ : first use the poly(n) reduction as

¹⁶Note that, the value of k in relation to n is such that $2^k = \tilde{O}(2^n)$; here k refers to the k used in the proof of [Theorem 3.2](#).

in the proof of [Theorem 3.2](#) to construct the quantum circuit C_ϕ of size $s = \text{poly}(n)$ and width $k \leq n + 2(\lceil \log n \rceil + \lceil \log m \rceil)$. Then run algorithm \mathcal{A} on quantum circuit C_ϕ and $x = 0^k$ as inputs. The output would then be the γ multiplicative error approximation of the count of the number of satisfying assignments to ϕ . Depending on the value of $\gamma \cdot \hat{h}$, the run-time of this entire process is either $O\left(\text{poly}(n) + \left(\frac{1}{\gamma} \sqrt{\frac{2^k - \hat{h}}{h}}\right)^{1-\delta} s^{O(1)}\right) = O\left(\left(\frac{1}{\gamma} \sqrt{\frac{2^n - \hat{h}}{h}}\right)^{1-\delta} n^{O(1)}\right)$ for some constant $\delta > 0$ or $O(2^{k(1-\delta')}) s^{O(1)} = O(2^{n(1-\delta')}) n^{O(1)}$ time, for an constant $\delta' > 0$. Either way, violating the γ -#QSETH ([Theorem 2.21](#)). \square

4 Quantum lower bound for lattice counting and q-count problems

In this section, we would like to connect k -SAT to variants of lattice problems and then use the QSETH lower bound we have in [Section 2.5](#) to give quantum fine-grained complexity for those lattice problems. For any set of n linearly independent vectors $\mathbf{B} = \{\mathbf{b}_1, \dots, \mathbf{b}_n\}$ from \mathbb{R}^d , the lattice \mathcal{L} generated by basis \mathbf{B} is

$$\mathcal{L}(\mathbf{B}) = \left\{ \sum_{i=1}^n z_i \mathbf{b}_i : z_i \in \mathbb{Z} \right\}.$$

We call n the *rank* of the lattice \mathcal{L} and d the *dimension*. The vectors $\mathbf{B} = \{\mathbf{b}_1, \dots, \mathbf{b}_n\}$ forms a *basis* of the lattice. Given a basis \mathbf{B} , we use $\mathcal{L}(\mathbf{B})$ to denote the lattice generated by \mathbf{B} .

For $1 \leq p < \infty$ the ℓ_p -norm $\|\mathbf{x}\|_p$ of any vector $\mathbf{x} \in \mathbb{R}^d$ is defined by

$$\|\mathbf{x}\|_p := \left(\sum_{i=1}^d x_i^p \right)^{1/p}.$$

Additionally, the ℓ_∞ norm of such a vector \mathbf{x} is defined as $\|\mathbf{x}\|_\infty := \max_{i \in [d]} |x_i|$. The ℓ_p unit ball $B_p^d \subset \mathbb{R}^d$ is defined by $\{\mathbf{x} \in \mathbb{R}^d \mid \|\mathbf{x}\|_p \leq 1\}$.

Fine-grained complexity of lattice problems is quite widely studied in the classical case [[BGS17](#), [ABGS21](#), [AC21](#), [AS18](#), [BP20](#), [BPT22](#)]. Lots of variants of lattice problems have been considered before, and the most well-studied one is the closest vector problem (with respect to ℓ_p norm).

Definition 4.1. *For any $1 \leq p \leq \infty$, the Closest Vector Problem CVP_p is the search problem defined as: The input is a basis $\mathbf{B} \in \mathbb{R}^{d \times n}$ of the lattice \mathcal{L} and a target vector \mathbf{t} . The goal is to output a vector $\mathbf{v} \in \mathcal{L}$ such that $\|\mathbf{v} - \mathbf{t}\|_p = \min_{\mathbf{x} \in \mathcal{L}} \|\mathbf{x} - \mathbf{t}\|_p$.*

CVP_p is known to have a 2^n SETH lower bound for any $p \notin 2\mathbb{Z}$ [[BGS17](#), [ABGS21](#)], and for even p , there seems a barrier for showing a fine-grained reduction from k -SAT to CVP_p [[AK22](#)]. Kannan gave a $n^{O(n)}$ -time algorithm for solving CVP_p for arbitrary $p \geq 1$ [[Kan83](#)], while the best-known algorithm for solving CVP_p with noneven p is still n^{cn} for some constant c . To get a conditional quantum lower bound for CVP_p for noneven p , given there is already a classical reduction from k -SAT to CVP_p using $2^k \cdot \text{poly}(n)$ time (for noneven p) [[BGS17](#), [ABGS21](#)], either one can directly use the QSETH framework by Aaronson et al. [[ACL+20](#)] to get a $2^{(0.5-\varepsilon)n}$ lower bound, or we can use [Corollary 2.24](#) to get the same lower bound in our QSETH framework.¹⁷

¹⁷Basic QSETH assumption is weaker than the QSETH assumption in Aaronson et al [[ACL+20](#)], so our lower bound under basic QSETH assumption ([Conjecture 1.3](#) and [Corollary 2.1](#)) will also imply a lower bound under their quantum SETH framework.

A natural question is invoked here: Can we have a $2^{(0.5+\varepsilon)n}$ quantum SETH lower bound for any (variants of) lattice problems? The answer is yes by using the framework and the problems introduced in [Section 2.5](#) and by considering the counting variant of lattice problems. We begin by introducing the (approximate) lattice counting problem and some other related problems as follows:

Definition 4.2 (Lattice counting problem). *For all $\gamma \geq 0$ and $1 \leq p \leq \infty$, the γ -approximate Vector Counting Problem γ -VCP $_p$ is the counting problem defined as follows: The input is a lattice a basis $\mathbf{B} \in \mathbb{R}^{d \times n}$ of lattice $\mathcal{L}(\mathbf{B})$, target vector $\mathbf{t} \in \mathbb{R}^d$, and radius $r \in \mathbb{R}_+$. The problem is to output a value C satisfying $|(\mathcal{L} - \mathbf{t}) \cap r \cdot B_p^d| \leq C \leq (1 + \gamma) \cdot |(\mathcal{L} - \mathbf{t}) \cap r \cdot B_p^d|$. If $\gamma = 0$, we simply denote the problem as VCP $_p$.*

The (approximate) lattice counting problem was first introduced by Stephens-Davidowitz as a promise problem [[Ste16](#)], and here we slightly modify the definition to make it a counting problem. We also generalize the lattice vector counting problem to the q -count problem, as follows.

Definition 4.3 (Lattice q -count problem). *For all $\gamma \geq 1$, $1 \leq p \leq \infty$, and $q \in [2^n] \setminus \{1\}$, the lattice q -count Problem $\#_q$ -VCP $_p$ is the lattice q -count problem defined as follows: The input is a lattice a basis $\mathbf{B} \in \mathbb{R}^{d \times n}$ of lattice $\mathcal{L}(\mathbf{B})$, target vector $\mathbf{t} \in \mathbb{R}^d$, and radius $r \in \mathbb{R}_+$. The problem is to output a value $C = |(\mathcal{L} - \mathbf{t}) \cap r \cdot B_p^d| \bmod q$. If $q = 2$, we simply denote the problem as \oplus VCP $_p$.*

One can consider the above two problems are the counting and the q -counting version of VCP $_p$, respectively. To connect these problems to the counting k -SAT, we should first introduce the following geometric tool introduced by Bennett, Golovnev, and Stephens-Davidowitz [[BGS17](#)].

Definition 4.4 (Isolating parallelepiped). *Let k be an integer between 3 and n . For all $1 \leq p \leq \infty$, we say that $V \in \mathbb{R}^{2^k \times k}$ and $\mathbf{u} \in \mathbb{R}^{2^n}$ define a (p, k) -isolating parallelepiped if $\|\mathbf{u}\|_p > 1$ and $\|V\mathbf{x} - \mathbf{u}\|_p = 1$ for all $\mathbf{x} \in \{0, 1\}^k \setminus \{0_k\}$.*

For the sake of completeness, we will explain how to connect a k -CNF formula to an instance of VCP using the above object. The proof is very similar to the proof of Theorem 3.2 of [[BGS17](#)].

Theorem 4.5. *Let k be an integer between 3 and n . Suppose we have a (p, k) -isolating parallelepiped (V, \mathbf{u}) for some $p = p(n) \in [1, \infty)$ and can make quantum queries to oracles $O_V : |i\rangle |s\rangle |0\rangle \rightarrow |i\rangle |s\rangle |V_{is}\rangle$ and $O_{\mathbf{u}} : |i\rangle |0\rangle \rightarrow |i\rangle |\mathbf{u}_i\rangle$ for $i \in [2^k]$ and $s \in [k]$. Then for every given input oracle $O_\Phi : |j\rangle |w\rangle |0\rangle \rightarrow |j\rangle |k\rangle |C_w(j)\rangle$ of k -CNF formula $\psi = C_1 \wedge C_2 \wedge \dots \wedge C_m$ for $w \in [m]$ and $j \in [n]$, one can output oracles $O_{\mathbf{B}} : |h\rangle |j\rangle |0\rangle \rightarrow |h\rangle |j\rangle |\mathbf{B}_j(h)\rangle$ of basis $\mathbf{B} \in \mathbb{R}^{(m \cdot 2^k + n) \times n}$ for each $h \in [m \cdot 2^k + n]$ and $j \in [n]$, $O_{\mathbf{t}} : |h\rangle |0\rangle \rightarrow |h\rangle |t_h\rangle$ of target vector $\mathbf{t} \in \mathbb{R}^{m \cdot 2^k + n}$ for each $h \in [m \cdot 2^k + n]$, and radius r such that $|\text{sol}(\psi)| = \text{VCP}_p(\mathbf{B}, \mathbf{t}, r)$, using $\text{poly}(n, m)$ queries to O_V , O_V^\dagger , $O_{\mathbf{u}}$, $O_{\mathbf{u}}^\dagger$, O_Φ , O_Φ^\dagger , and elementary gates.*

Proof. Let $d = m \cdot 2^k + n$ and $V = \{\mathbf{v}_1, \dots, \mathbf{v}_k\}$ with $\mathbf{v}_s \in \mathbb{R}^{2^k}$ for every $s \in [k]$. The basis $\mathbf{B} \in \mathbb{R}^{d \times n}$ and target vector $\mathbf{t} \in \mathbb{R}^d$ in the output instance have the form:

$$\mathbf{B} = \begin{pmatrix} \mathbf{B}_1 \\ \vdots \\ \mathbf{B}_m \\ 2 \cdot m^{1/p} \cdot I_n \end{pmatrix}, \quad \mathbf{t} = \begin{pmatrix} t_1 \\ \vdots \\ t_m \\ m^{1/p} \cdot \mathbf{1}_n \end{pmatrix},$$

with blocks $\mathbf{B}_w \in \mathbb{R}^{2^k \times n}$ that correspond to the clause $C_w = \bigvee_{s=1}^k \ell_{w,s}$ and $\mathbf{t}_w \in \mathbb{R}^{2^n}$ for each $w \in [m]$. For each $w \in [m]$ and $j \in [n]$, the j th column $(\mathbf{B}_w)_j$ of block \mathbf{B}_w is

$$(\mathbf{B}_w)_j = \begin{cases} \mathbf{v}_w, & \text{if } x_j \text{ is the } w\text{th literal of clause } w, \\ -\mathbf{v}_w, & \text{if } \neg x_j \text{ is the } w\text{th literal of clause } w, \\ 0_{2^d}, & \text{otherwise,} \end{cases}$$

and $\mathbf{t}_w = \mathbf{u} - \sum_{s \in N_w} \mathbf{v}_s$, where $N_w = \{s \in [k] : \ell_{w,s} \text{ is negative}\}$ is the set of the indices of negative literals in C_w . Also set $r = (mn + m)^{1/p}$.

Define the equation unitary $U_e : |a\rangle |b\rangle |0\rangle \rightarrow |a\rangle |b\rangle |\delta_{|a|,|b|}\rangle$ for each $a, b \in [d]$, and the location indicator unitary as for each $x_1, \dots, x_n \in \{0, 1\}$,

$$U_{loc} : |x_1\rangle |x_2\rangle \dots |x_n\rangle |0\rangle \rightarrow \begin{cases} |x_1\rangle |x_2\rangle \dots |x_n\rangle |s\rangle, & \text{if only } x_s = 1 \text{ and all others are } 0, \\ |x_1\rangle |x_2\rangle \dots |x_n\rangle |0\rangle, & \text{otherwise,} \end{cases}$$

which can both be implemented via $\text{poly}(n)$ elementary gates up to negligible error. Also, we define the sign literal indicator unitary as follows: for each $w \in [m]$, $j \in [n]$,

$$U_{s\ell} : |w\rangle |j\rangle |0\rangle \rightarrow \begin{cases} |w\rangle |j\rangle |s\rangle, & \text{if } x_j \text{ is the } s\text{th literal of clause } C_w, \\ |w\rangle |j\rangle |-s\rangle, & \text{if } \neg x_j \text{ is the } s\text{th literal of clause } C_w, \\ |w\rangle |j\rangle |0\rangle, & \text{otherwise,} \end{cases}$$

which can also be implemented by using $\text{poly}(m, n)$ applications of O_Φ and $\text{poly}(m, n)$ many elementary gates.

We are now ready to show how to implement $O_{\mathbf{B}}$ and $O_{\mathbf{t}}$. For input $|h\rangle |j\rangle |0\rangle |0\rangle |0\rangle |0\rangle$, let $|h\rangle = |h_1\rangle |h_2\rangle$ where h_2 is the last n bits of h and h_1 is the remaining prefix. Then we first apply U_e to the first, third, and fifth registers to have $|h_1\rangle |h_2\rangle |j\rangle |0\rangle |\delta_{h_1,0}\rangle |0\rangle |0\rangle$. After that, apply $U_{s\ell}$ to the first, third, and sixth registers, and apply O_V to the second, third, and seventh registers we get

$$|h_1\rangle |h_2\rangle |j\rangle |0\rangle |\delta_{h_1,0}\rangle |s\rangle |V_{js}\rangle;$$

note that $V_{js} = (\mathbf{v}_s)_j$. Finally, adding another ancilla register, we can store the value $V_{js} \cdot \delta_{h_1,0} + 2m^{1/p}(1 - \delta_{h_1,0})\delta_{h-m \cdot 2^k, j}$ in the last register. Uncomputing fourth to seventh registers, we have

$$|h_1\rangle |h_2\rangle |j\rangle |V_{js} \cdot \delta_{h_1,0} + 2m^{1/p}(1 - \delta_{h_1,0})\delta_{h-m \cdot 2^k, j}\rangle = |h\rangle |j\rangle |(\mathbf{v}_s)_j \cdot \delta_{h_1,0} + 2m^{1/p}(1 - \delta_{h_1,0})\delta_{h-m \cdot 2^k, j}\rangle,$$

and $(\mathbf{v}_s)_j \cdot \delta_{h_1,0} + 2m^{1/p}(1 - \delta_{h_1,0})\delta_{h-m \cdot 2^k, j}$ is exactly the coefficient of $\mathbf{B}_j(h)$. One can see we only use $\text{poly}(n, m)$ queries to O_V , O_V^\dagger , O_Φ , O_Φ^\dagger and elementary gates. We can also construct $O_{\mathbf{t}}$ using a similar strategy, which can also be done using at most $\text{poly}(n, m)$ queries to O_V , O_V^\dagger , O_Φ , O_Φ^\dagger , O_u , O_u^\dagger , and elementary gates.

To see the correctness, consider $\mathbf{y} \in \mathbb{Z}^n$. If $\mathbf{y} \notin \{0, 1\}^n$, then

$$\|\mathbf{B}\mathbf{y} - \mathbf{t}\|_p^p \geq \|2m^{1/p}I_n\mathbf{y} - m^{1/p}\mathbf{1}_n\|_p^p \geq m(n+2).$$

On the other hand, if $\mathbf{y} \in \{0, 1\}^n$, then for each \mathbf{B}_w

$$\begin{aligned} \|\mathbf{B}_w \mathbf{y} - \mathbf{t}\|_p^p &= \left\| \sum_{s \in P_w} \mathbf{y}_{ind(\ell_{w,s})} \cdot \mathbf{v}_s - \sum_{s \in N_w} \mathbf{y}_{ind(\ell_{w,s})} \cdot \mathbf{v}_s - \left(u - \sum_{s \in N_w} \mathbf{y}_{ind(\ell_{w,s})} \cdot \mathbf{v}_s\right) \right\|_p^p \\ &= \left\| \sum_{s \in P_w} \mathbf{y}_{ind(\ell_{w,s})} \cdot \mathbf{v}_s + \sum_{s \in N_w} (1 - \mathbf{y}_{ind(\ell_{w,s})}) \cdot \mathbf{v}_s - u \right\|_p^p \\ &= \left\| \sum_{s \in S_w(\mathbf{y})} \mathbf{v}_s - u \right\|_p^p, \end{aligned}$$

where $ind(\ell_{w,s})$ is the index of the variable underlying $\ell_{w,s}$, $P_w = \{s \in [k] : \ell_{w,s} \text{ is positive}\}$ is the set of the indices of positive literals in C_w , and $S_w(\mathbf{y}) = \{s \in P_w : \mathbf{y}_{ind(\ell_{w,s})} = 1\} \cup \{s \in N_w : \mathbf{y}_{ind(\ell_{w,s})} = 0\}$ is the indices of literals in C_w satisfied by \mathbf{y} . Because (V, \mathbf{u}) is a (p, k) -isolating parallelepiped, if $|S_w(\mathbf{y})| \neq 0$, then $\left\| \sum_{s \in S_w(\mathbf{y})} \mathbf{v}_s - \mathbf{u} \right\|_p^p = 1$, and it will be greater than 1 otherwise.

Also, $|S_w(\mathbf{y})| \neq 0$ if and only if C_w is satisfied. Therefore, we have that for every satisfying assignment \mathbf{y} ,

$$\|\mathbf{B}\mathbf{y} - \mathbf{t}\|_p^p = \sum_{k=1}^m \|\mathbf{B}_k \mathbf{y} - \mathbf{t}\|_p^p + mn = m + mn,$$

and for all other unsatisfying assignments \mathbf{y}' , $\|\mathbf{B}\mathbf{y}' - \mathbf{t}\|_p^p > m + mn$. As a result, every satisfying assignment of $\psi = C_1 \wedge C_2 \wedge \dots \wedge C_m$ is the lattice points of lattice $\mathcal{L}(\mathbf{B})$ with distance $r = (mn + m)^{1/p}$ to the target vector \mathbf{t} , which implies the answer of counting-SAT with input ψ is equal to $\text{VCP}_p(\mathbf{B}, \mathbf{t}, r)$. \square

The theorem above shows how we can connect the counting k -SAT problem to the vector counting problem given access to a (p, k) -isolating parallelepiped. However, it is not always the case that we can compute such an isolating parallelepiped efficiently. Nevertheless, Aggarwal, Bennett, Golovnev, and Stephens-Davidowitz [BGS17, ABGS21] also showed the existence of isolating parallelepiped for some p, k and provided an efficient algorithm for computing them.

Theorem 4.6 ([ABGS21]). *For $k \in \mathbb{Z}_+$ and computable $p = p(n) \in [1, \infty)$ if p satisfies either (1) $p \notin 2\mathbb{Z}$ or (2) $p \geq k$, there exists a (p, k) -isolating parallelepiped $V \in \mathbb{R}^{2^k \times k}$, $\mathbf{u} \in \mathbb{R}^{2^k}$ and it is computable in time $\text{poly}(2^k)$.*

Therefore, by choosing $k = \Theta(\log n)$ and combining Corollary 2.24 and Theorems 4.5 and 4.6, we can directly show a 2^n QSETH lower bound for VCP_p for all non-even p . Also, a similar idea works for the q-count and approximate counting of CNF-SAT: for any CNF-SAT formula ψ , using Algorithm 1 and Lemma 2.22, we can output a number of k -CNF formula $\psi_1 \dots, \psi_N$ such that $|\text{sol}(\psi)| = \sum_{i \in [N]} |\text{sol}(\psi_i)|$. Once we have an algorithm that solves γ - $\#$ - k -SAT ($\#_q$ - k -SAT), we can use it to compute γ - $\#$ - k -SAT(ψ_i) ($\#_q$ - k -SAT(ψ_i)) for all $i \in [N]$, and then by adding the outputs together, we can therefore get a valid solution to γ - $\#$ -CNFSAT ($\#_q$ -CNFSAT) with input ψ . By a similar argument of the proof of Corollary 2.24, we know N is bounded by $2^{o(n)}$. Combining the above arguments with Theorem 4.5, we have following corollaries.

Corollary 4.7. *Let $p \in [1, \infty) \setminus 2\mathbb{Z}$. There is no bounded error quantum time algorithm that solves VCP_p in $O(2^{sn})$ time for a constant $s < 1$ unless $\#$ QSETH conjecture is false.*

Corollary 4.8. *Let $\gamma \in [\frac{1}{2^n}, \frac{1}{2})$, $\hat{h} \in [2^n]$, and $p \in [1, \infty) \setminus 2\mathbb{Z}$. There is no bounded error quantum time algorithm that solves γ - VCP_p ,*

1. in $O\left(\left(\frac{1}{\gamma}\sqrt{\frac{2^n - \hat{h}}{h}}\right)^s\right)$ time, for any constant $s < 1$, whenever $\gamma\hat{h} > 1$, and

2. in $O(2^{sn})$ time, for any constant $s < 1$, whenever $\gamma\hat{h} \leq 1$

unless γ -#QSETH conjecture is false.

Corollary 4.9. *Let $p \in [1, \infty) \setminus 2\mathbb{Z}$. There is no bounded error quantum time algorithm that solves $\oplus VCP_p$ in $O(2^{sn})$ time for a constant $s < 1$ unless \oplus QSETH conjecture is false.*

Corollary 4.10. *Let $p \in [1, \infty) \setminus 2\mathbb{Z}$ and $q \in [2^n] \setminus \{1, 2\}$. There is no bounded error quantum time algorithm that solves $\#_q VCP_p$ in $O(2^{sn})$ time for a constant $s < 1$ unless $\#_q$ QSETH conjecture is false.*

The following theorem also shows how to connect the approximate vector counting problem to the closest vector problem. The connection was already built up in Theorem 3.5 of [Ste16], while we can easily give a quadratic saving for the number of calls to CVP_p oracle by using some basic quantum tricks if quantum queries are allowed. We include the proof in [Appendix B](#) for completeness.

Theorem 4.11. *Let $f(n) \geq 20$ be an efficiently computable function and $p \in [1, \infty)$. One can solve $f(n)^{-1}$ - VCP_p using $O(f^2)$ quantum queries to CVP_p .*

Note that the QSETH lower bound for f^{-1} - VCP_p depends on f . Therefore if one can show a reduction from f^{-1} - VCP_p to CVP_p using f^c for some constant $c < 1$, then it will end up with a better QSETH lower bound for CVP_p .

5 Hardness of Counting/Parity of OV, Hitting Set, and Set-Cover

In this section, we will discuss the consequences of [Corollary 2.24](#) and [Theorem 2.21](#) on some well-motivated problems: Orthogonal Vectors, Hitting Set and Set Cover. Following are the definitions of Hitting Set and its variants.

Definition 5.1 (Hitting Set). *For any integers $n, m > 0$, the Hitting Set problem is defined as follows: The input is a collection $\Sigma = (S_1, \dots, S_m)$, where $S_i \subset V$ and integer $t > 0$, the goal is to output a subset $S' \subset V$ such that $|S'| \leq t$ and $\forall i \in [m], |S' \cap S_i| > 0$.*

Definition 5.2 (Variants of Hitting Set). *For any integers $n, m > 0$ and $\gamma \in \left[\frac{1}{2^n}, \frac{1}{2}\right)$, the input is a collection $\Sigma = (S_1, \dots, S_m)$, where $S_i \subset V$ and integer $t > 0$.*

1. In Count Hitting Set problem, the goal is to output $|S' \subset V : |S'| \leq t, \forall i \in [m], |S' \cap S_i| > 0|$.
2. In Parity Hitting Set problem, the goal is to output $|S' \subset V : |S'| \leq t, \forall i \in [m], |S' \cap S_i| > 0| \pmod{2}$.
3. In Majority Hitting Set, the goal is to output 1 if $|S' \subset V : |S'| \leq t, \forall i \in [m], |S' \cap S_i| > 0| > 2^{n-1}$, otherwise output 0.
4. In γ approximation of count Hitting Set, the goal is to output an integer d such that $(1-\gamma)d' < d < (1+\gamma)d'$ where $d' = |S' \subset V : |S'| \leq t, \forall i \in [m], |S' \cap S_i| > 0|$.

In [CDL+16], Cygan et al. showed a Parsimonious reduction between CNF-SAT and Hitting Set. By Parsimonious reduction, we mean a transformation from a problem to another problem that preserves the number of solutions.

Theorem 5.3 (Theorem 3.4 in [CDL+16]). *For any sufficiently large integer $n > 0$ and constant $\varepsilon > 0$, there exists a polynomial time Parsimonious reduction from CNF-SAT on n variables to Hitting Set on $n(1 + \varepsilon)$ size universal set.*

We get the following corollary.

Corollary 5.4. *For any sufficiently large integer $n > 0$, constant $\delta > 0$ and $\gamma \in \left[\frac{1}{2^n}, \frac{1}{2}\right)$, there is no bounded error quantum algorithm*

1. *in $2^{\frac{n}{2}(1-\delta)}$ time for Hitting Set unless BASIC-QSETH (Corollary 2.1) is false.*
2. *in $2^{n(1-\delta)}$ time for Count Hitting Set unless #QSETH(Theorem 2.6) is false.*
3. *in $2^{n(1-\delta)}$ time for Parity Hitting Set unless \oplus QSETH(Corollary 2.7) is false.*
4. *in $2^{n(1-\delta)}$ time for Majority Hitting Set unless Majority-QSETH(Corollary 2.8) is false.*
5. *in $\left(\frac{1}{\gamma}\sqrt{\frac{2^n-h}{h}}\right)^{1-\delta}$ time for γ approximation of count Hitting Set unless γ -#QSETH (as in Theorem 2.21) is false. Here h denote the number of hitting sets to the input instance.*

We use our results from Section 2 to show fine-grained hardness of problems in complexity class P. More specifically, we study Orthogonal Vectors problem and its variants defined as follows.

Definition 5.5 (Orthogonal Vectors (OV)). *For any integers $d, n > 0$, the Orthogonal Vectors (OV) problem is defined as follows: The input is two lists A and B , each consists of n vectors from $\{0, 1\}^d$. The goal is to find vectors $a \in A, b \in B$ for which $\langle a, b \rangle = 0$.*

Definition 5.6 (Variants of OV). *For any integers $d, n > 0$ and $\gamma \in \left[\frac{1}{n^2}, \frac{1}{2}\right)$, the input is two lists A and B , each consists of n vectors from $\{0, 1\}^d$.*

1. *In Count OV problem, the goal is to output $|(a, b) : a \in A, b \in B, \langle a, b \rangle = 0|$ i.e. number of pairs (a, b) for which $a \in A, b \in B$ and $\langle a, b \rangle = 0$.*
2. *In Parity OV problem, the goal is to output $|(a, b) : a \in A, b \in B, \langle a, b \rangle = 0| \pmod{2}$.*
3. *In Majority OV, the goal is to output 1 if $|(a, b) : a \in A, b \in B, \langle a, b \rangle = 0| > n^2/2$, otherwise output 0.*
4. *In γ approximation of count OV, the goal is to output an integer d such that $(1 - \gamma)d' < d < (1 + \gamma)d'$ where $d' = |(a, b) : a \in A, b \in B, \langle a, b \rangle = 0|$.*

Orthogonal Vectors (OV) is an important computational problem that lies in complexity class P. It turns out to be one of the central problem to show fine-grained hardness of problems in P [Vas15, ABDN18]. Williams showed a reduction from a reduction from CNF-SAT to OV [Wil05]. We observe that Williams's reductions is Parsimonious. Therefore we also get fine-grained hardness of counting versions of OV. In [BPS21], authors showed $O(n)$ -hardness for OV under basic QSETH assumption.

Corollary 5.7. For any sufficiently large integer $n > 0$, $\gamma \in \left[\frac{1}{n^2}, \frac{1}{2}\right)$ and any constant $\delta > 0$, there is no bounded error quantum algorithm

1. in $n^{2-\delta}$ time for Count OV unless $\#QSETH$ (Theorem 2.6) is false.
2. in $n^{2-\delta}$ time for Parity OV unless $\oplus QSETH$ (Corollary 2.7) is false.
3. in $n^{2-\delta}$ time for Majority OV unless Majority-QSETH (Corollary 2.8) is false.
4. in $\left(\frac{1}{\gamma} \sqrt{\frac{n^2-h}{h}}\right)^{1-\delta}$ time for γ approximation of count OV unless γ - $\#QSETH$ (Theorem 2.21) conjecture is false. Here h denote the number of hitting sets to the input instance.

We also show fine-grained hardness of parity Set-Cover defined as follows.

Definition 5.8 (parity Set-Cover). For any integers $n, m > 0$, the parity Set-Cover problem is defined as follows: The input is a collection $\Sigma = (S_1, \dots, S_m)$, where $S_i \subset V$ and integer $t > 0$, the goal is to output $|\{\mathcal{F} \subset \Sigma : \bigcup_{S \in \mathcal{F}} S = V, |\mathcal{F}| \leq t\}| \pmod 2$.

In [CDL⁺16], Cygan et al. showed an efficient reduction from parity Hitting Set to parity Set Cover. We get the following corollary:

Corollary 5.9. For any sufficiently large integer $n > 0$ and $t > 0$, parity Set-Cover on a universal set of size n is 2^n hard unless $\oplus QSETH$ (Corollary 2.7) is false.

It's a big open to get an efficient fine-grained reduction from Hitting Set or CNF-SAT to Set-Cover. Note that Hitting Set and Set Cover are dual problems of each other but this reduction does not say anything interesting about the fine-grained hardness of Set-Cover.

6 Discussions and open questions

We believe that this paper opens up the possibility of concluding quantum time lower bounds for many other problems, both for other variants of CNFSAT and also for problems that are not immediately related to CNFSAT. While this is a natural broad future direction to explore, we also mention the following few directions for future work which are more contextual to this paper.

- One of the motivations to use AC_2^0 -QSETH in this paper is so that we can ‘tie’ certain conjectures, that would have otherwise been standalone conjectures, to one main conjecture. But in the process, we conjecture compression obliviousness of several properties. It would be nice if we could also have an ‘umbrella’ conjecture that allows one to establish compression obliviousness of several properties. For e.g., it would be nice if we could show that compression obliviousness of a natural property like COUNT or PARITY implies compression obliviousness of say Δ -ADD-COUNT.
- It will be interesting to see if it is possible to use the QSETH framework (or the AC_2^0 -QSETH conjecture) to give a single exponential lower bound for CVP in Euclidean norm (CVP_2).

References

- [ABDN18] Amir Abboud, Karl Bringmann, Holger Dell, and Jesper Nederlof. More consequences of falsifying seth and the orthogonal vectors conjecture. In *Proceedings of the 50th Annual ACM SIGACT Symposium on Theory of Computing*, pages 253–266, 2018. [28](#)
- [ABGS21] Divesh Aggarwal, Huck Bennett, Alexander Golovnev, and Noah Stephens-Davidowitz. Fine-grained hardness of CVP(P) - everything that we can prove (and nothing else). In *SODA*, pages 1816–1835. SIAM, 2021. [5](#), [23](#), [26](#)
- [AC21] Divesh Aggarwal and Eldon Chung. A note on the concrete hardness of the shortest independent vector in lattices. *Inf. Process. Lett.*, 167:106065, 2021. [23](#)
- [ACL⁺20] Scott Aaronson, Nai-Hui Chia, Han-Hsuan Lin, Chunhao Wang, and Ruizhe Zhang. On the quantum complexity of closest pair and related problems. In *Proceedings of the 35th Computational Complexity Conference, CCC '20*, Dagstuhl, DEU, 2020. Schloss Dagstuhl–Leibniz-Zentrum fuer Informatik. [3](#), [4](#), [5](#), [23](#)
- [AK22] Divesh Aggarwal and Rajendra Kumar. Why we couldn't prove SETH hardness of the closest vector problem for even norms, and of the subset sum problem! *CoRR*, abs/2211.04385, 2022. [23](#)
- [AS18] Divesh Aggarwal and Noah Stephens-Davidowitz. (gap/s)eth hardness of SVP. In *Proceedings of the 50th Annual ACM SIGACT Symposium on Theory of Computing, STOC*, pages 228–238. ACM, 2018. [23](#)
- [AW21] Shyan Akmal and R. Ryan Williams. MAJORITY-3SAT (and related problems) in polynomial time. *CoRR*, abs/2107.02748, 2021. [17](#), [21](#)
- [BBC⁺01] Robert Beals, Harry Buhrman, Richard Cleve, Michele Mosca, and Ronald de Wolf. Quantum lower bounds by polynomials. *J. ACM*, 48(4):778–797, 2001. [8](#), [10](#), [13](#)
- [BGS17] Huck Bennett, Alexander Golovnev, and Noah Stephens-Davidowitz. On the quantitative hardness of CVP. In *58th IEEE Annual Symposium on Foundations of Computer Science, FOCS 2017, Berkeley, CA, USA, October 15-17, 2017*, pages 13–24. IEEE Computer Society, 2017. [5](#), [17](#), [23](#), [24](#), [26](#)
- [BHMT02] Gilles Brassard, Peter Høyer, Michele Mosca, and Alain Tapp. Quantum amplitude amplification and estimation, 2002. [32](#)
- [BMN⁺21] Ryan Babbush, Jarrod R. McClean, Michael Newman, Craig Gidney, Sergio Boixo, and Hartmut Neven. Focus beyond quadratic speedups for error-corrected quantum advantage. *PRX Quantum*, 2:010103, Mar 2021. [i](#)
- [BP20] Huck Bennett and Chris Peikert. Hardness of bounded distance decoding on lattices in p norms. In *35th Computational Complexity Conference, CCC*, volume 169 of *LIPICs*, pages 36:1–36:21. Schloss Dagstuhl - Leibniz-Zentrum für Informatik, 2020. [23](#)

- [BPS21] Harry Buhrman, Subhasree Patro, and Florian Speelman. A Framework of Quantum Strong Exponential-Time Hypotheses. In Markus Bläser and Benjamin Monmege, editors, *38th International Symposium on Theoretical Aspects of Computer Science (STACS 2021)*, volume 187 of *Leibniz International Proceedings in Informatics (LIPIcs)*, pages 19:1–19:19, Dagstuhl, Germany, 2021. Schloss Dagstuhl – Leibniz-Zentrum für Informatik. [1](#), [2](#), [3](#), [4](#), [5](#), [7](#), [9](#), [28](#)
- [BPT22] Huck Bennett, Chris Peikert, and Yi Tang. Improved hardness of BDD and SVP under gap-(s)eth. In *13th Innovations in Theoretical Computer Science Conference, ITCS*, volume 215 of *LIPIcs*, pages 19:1–19:12. Schloss Dagstuhl - Leibniz-Zentrum für Informatik, 2022. [23](#)
- [BRSV17] Marshall Ball, Alon Rosen, Manuel Sabin, and Prashant Nalini Vasudevan. Average-case fine-grained hardness. In *STOC*, pages 483–496. ACM, 2017. [1](#)
- [CDL⁺16] Marek Cygan, Holger Dell, Daniel Lokshtanov, Dániel Marx, Jesper Nederlof, Yoshio Okamoto, Ramamohan Paturi, Saket Saurabh, and Magnus Wahlström. On problems as hard as cnf-sat. *ACM Transactions on Algorithms (TALG)*, 12(3):1–24, 2016. [1](#), [5](#), [7](#), [28](#), [29](#)
- [CHM21] Jordan S. Cotler, Hsin-Yuan Huang, and Jarrod R. McClean. Revisiting dequantization and quantum advantage in learning tasks. *ArXiv*, abs/2112.00811, 2021. [5](#), [20](#)
- [CIP06] C. Calabro, R. Impagliazzo, and R. Paturi. A duality between clause width and clause density for sat. In *21st Annual IEEE Conference on Computational Complexity (CCC'06)*, pages 7 pp.–260, 2006. [4](#), [17](#), [18](#)
- [DL21] Holger Dell and John Lapinskas. Fine-grained reductions from approximate counting to decision. *ACM Trans. Comput. Theory*, 13(2):8:1–8:24, 2021. [1](#)
- [Gro96] Lov K Grover. A fast quantum mechanical algorithm for database search. In *Proceedings of the twenty-eighth annual ACM symposium on Theory of computing*, pages 212–219, 1996. [1](#)
- [HNS20] Cupjin Huang, Michael Newman, and Mario Szegedy. Explicit lower bounds on strong quantum simulation. *IEEE Transactions on Information Theory*, 66(9):5585–5600, 2020. [20](#), [21](#)
- [IP01] Russell Impagliazzo and Ramamohan Paturi. On the complexity of k-sat. *Journal of Computer and System Sciences*, 62(2):367–375, 2001. [1](#)
- [IPZ01] Russell Impagliazzo, Ramamohan Paturi, and Francis Zane. Which problems have strongly exponential complexity? *Journal of Computer and System Sciences*, 63(4):512–530, 2001. [1](#)
- [Kan83] Ravi Kannan. Improved algorithms for integer programming and related lattice problems. In David S. Johnson, Ronald Fagin, Michael L. Fredman, David Harel, Richard M. Karp, Nancy A. Lynch, Christos H. Papadimitriou, Ronald L. Rivest, Walter L. Ruzzo, and Joel I. Seiferas, editors, *Proceedings of the 15th Annual ACM Symposium on Theory of Computing*, pages 193–206, 1983. [23](#)

- [LLW19] Rio LaVigne, Andrea Lincoln, and Virginia Vassilevska Williams. Public-key cryptography in the fine-grained setting. In *CRYPTO (3)*, volume 11694 of *Lecture Notes in Computer Science*, pages 605–635. Springer, 2019. [1](#)
- [NW99] Ashwin Nayak and Felix Wu. The quantum query complexity of approximating the median and related statistics. In Jeffrey Scott Vitter, Lawrence L. Larmore, and Frank Thomson Leighton, editors, *Proceedings of the Thirty-First Annual ACM Symposium on Theory of Computing, May 1-4, 1999, Atlanta, Georgia, USA*, pages 384–393. ACM, 1999. [11](#), [13](#), [15](#)
- [Pat92] Ramamohan Paturi. On the degree of polynomials that approximate symmetric boolean functions (preliminary version). In *Proceedings of the Twenty-Fourth Annual ACM Symposium on Theory of Computing*, STOC '92, pages 468–474, New York, NY, USA, 1992. Association for Computing Machinery. [8](#), [10](#)
- [Sch05] Rainer Schuler. An algorithm for the satisfiability problem of formulas in conjunctive normal form. *J. Algorithms*, 54(1):40–44, jan 2005. [17](#)
- [Sch22] Daan Schoneveld. Quantum fine-grained complexity: Hitting-set and related problems. Bachelors thesis, Universiteit van Amsterdam, 2022. [5](#)
- [Ste16] Noah Stephens-Davidowitz. Discrete gaussian sampling reduces to cvp and svp. In *SODA*, 2016. [24](#), [27](#), [33](#)
- [Vas15] Virginia Vassilevska Williams. Hardness of easy problems: Basing hardness on popular conjectures such as the strong exponential time hypothesis (invited talk). In *10th International Symposium on Parameterized and Exact Computation (IPEC 2015)*. Schloss Dagstuhl-Leibniz-Zentrum fuer Informatik, 2015. [1](#), [28](#)
- [VDN10] Maarten Van Den Nes. Classical simulation of quantum computation, the Gottesman-Knill theorem, and slightly beyond. *Quantum Info. Comput.*, 10(3):258–271, mar 2010. [5](#), [20](#)
- [Wil05] Ryan Williams. A new algorithm for optimal 2-constraint satisfaction and its implications. *Theoretical Computer Science*, 348(2-3):357–365, 2005. [28](#)
- [Wil18] Virginia Vassilevska Williams. On some fine-grained questions in algorithms and complexity. In *Proceedings of the international congress of mathematicians: Rio de janeiro 2018*, pages 3447–3487. World Scientific, 2018. [1](#)

A Quantum upper bounds for strong simulation

In order to solve the Δ' additive error strong simulation problem we will be using the amplitude estimation algorithm given by [BHMT02] as a subroutine.

Theorem A.1 (Implicit in Theorem 12 by [BHMT02]). *Given a natural number M and access to an $(n + 1)$ -qubit unitary U satisfying*

$$U |0^n\rangle |0\rangle = \sqrt{a} \cdot e^{i\theta_1} |\phi_1\rangle |1\rangle + \sqrt{1-a} \cdot e^{i\theta_2} |\phi_0\rangle |0\rangle,$$

where $|\phi_0\rangle$ and $|\phi_1\rangle$ are arbitrary n -qubit states, $\theta_1, \theta_2 \in [0, 2\pi]$ and $0 < a < 1$, there exists a quantum algorithm that uses $O(M)$ applications of U and U^\dagger and $\tilde{O}(M)$ elementary gates, and outputs a state $|\Lambda\rangle$ such that after measuring that state, with probability $\geq 9/10$, the first register λ of the outcome satisfies

$$|\sqrt{a} - \lambda| \leq \frac{100\pi}{M}.$$

Theorem A.2. *Let $n \in \mathbb{N}$. There is a $O(\text{poly}(n)\frac{1}{\Delta'})$ time quantum algorithm for solving the Δ' additive error strong simulation of [Definition 3.4](#).*

Proof. Let C and x denote the input, a quantum circuit on n input variables of size $\text{poly}(n)$ and $x \in \{0, 1\}^n$ be basis state, respectively. The task is to estimate the value of $|\langle x|C|0^n\rangle|$ with $\Delta' \in [\frac{1}{2^{n+1}}, 1)$ additive error approximation.

Let $|\psi\rangle = C|0^n\rangle = \sum_{i \in \{0, 1\}^n} \alpha_i |i\rangle$ and $\forall i, \alpha_i \in \mathbb{C}$. Let U' denote the unitary $U' : |i\rangle|x\rangle|b\rangle \rightarrow |i\rangle|x\rangle|b \oplus (i = x)\rangle$ for some $i, x \in \{0, 1\}^n$ and $b \in \{0, 1\}$. It is easy to verify that combining C and U' we can construct a unitary U on $2n + 1$ qubits such that

$$U|0^{2n}\rangle|0\rangle = \alpha_x|x\rangle|x\rangle|1\rangle + \sum_{i \neq x} \alpha_i|i\rangle|x\rangle|0\rangle,$$

and $|\alpha_x| = |\langle x|C|0^n\rangle|$. Using the *amplitude estimation* algorithm from [Theorem A.1](#) we can now estimate $|\langle x|C|0^n\rangle|$ to an additive error of Δ' in $O(\text{poly}(n)\frac{1}{\Delta'})$ time. \square

B Proof of [Theorem 4.11](#)

To prove [Theorem 4.11](#), we first introduce the following theorem.

Theorem B.1 ([\[Ste16\]](#), modified [Theorem 3.2](#)). *Let \mathbf{B} be a basis of a lattice $\mathcal{L}(\mathbf{B})$ and Q be a prime number. Consider the sparsification process: input any two vectors $\mathbf{z}, \mathbf{c} \in \mathbb{Z}_Q^n$, the sparsification process $\text{Spar}(\mathbf{B}, Q, \mathbf{z}, \mathbf{c})$ outputs a basis $\mathbf{B}_{Q, \mathbf{z}}$ of the sublattice $\mathcal{L}_{\mathbf{z}} \subset \mathcal{L} = \{\mathbf{u} \in \mathcal{L} : \langle \mathbf{z}, \mathbf{B}^{-1}\mathbf{u} \rangle = 0 \pmod{Q}\}$ and $\mathbf{w}_{\mathbf{z}, \mathbf{c}} = \mathbf{B}\mathbf{c}$. Then for every $\mathbf{t} \in \mathbb{R}^n$, $\mathbf{x} \in \mathcal{L}$ with $N = |(\mathcal{L} - \mathbf{t}) \cap \|\mathbf{x} - \mathbf{t}\| \cdot B_p^n| \leq Q$, and CVP_p oracle, we have*

$$\frac{1}{Q} - \frac{N}{Q^2} - \frac{N}{Q^{n-1}} \leq \Pr_{\mathbf{z}, \mathbf{c} \in \mathbb{Z}_Q^n} [\text{CVP}_p(\mathbf{t} + \mathbf{w}_{\mathbf{z}, \mathbf{c}}, \mathcal{L}_{\mathbf{z}}) = \mathbf{x} + \mathbf{w}_{\mathbf{z}, \mathbf{c}}] \leq \frac{1}{Q} + \frac{1}{Q^n},$$

and in particular,

$$\frac{N}{Q} - \frac{N^2}{Q^2} - \frac{N^2}{Q^{n-1}} \leq \Pr_{\mathbf{z}, \mathbf{c} \in \mathbb{Z}_Q^n} [\min_{\mathbf{u} \in \mathcal{L}_{\mathbf{z}}} \|\mathbf{t} + \mathbf{w}_{\mathbf{z}, \mathbf{c}} - \mathbf{u}\|_p \leq \|\mathbf{x} - \mathbf{t}\|_p] \leq \frac{N}{Q} + \frac{N}{Q^n}.$$

Define $U_{\text{Spar}} : |\mathbf{B}, Q, \mathbf{z}, \mathbf{c}\rangle|0\rangle|0\rangle \rightarrow |\mathbf{B}, Q, \mathbf{z}, \mathbf{c}\rangle|\mathbf{B}_{Q, \mathbf{z}}\rangle|\mathbf{w}_{\mathbf{z}, \mathbf{c}}\rangle$, where $\mathbf{B}_{Q, \mathbf{z}}, \mathbf{w}_{\mathbf{z}, \mathbf{c}}$ are the output of $\text{Spar}(\mathbf{B}, Q, \mathbf{z}, \mathbf{c})$. Since given CVP_p oracle and a basis \mathbf{B} , the sparsification process can be efficiently done according to the construction, we can also implement the unitary U_{Spar} efficiently. Then we are ready to show the proof of [Theorem 4.11](#).

Before we enter the proof of [Theorem 4.11](#), we would like to introduce the promised version of lattice vector counting problem as follows:

Definition B.2 (Gap-VCP). For all $\gamma \geq 0$ and $1 \leq p \leq \infty$, the problem γ -approximate gap Vector Counting Problem γ -Gap-VCP_p is a promise problem defined as follows: The input is a lattice a basis $\mathbf{B} \in \mathbb{R}^{d \times n}$ of lattice $\mathcal{L}(\mathbf{B})$, target vector $\mathbf{t} \in \mathbb{R}^d$, radius $r \in \mathbb{R}_+$, and $N \geq 1$. It is a No instance if $|(\mathcal{L} - \mathbf{t}) \cap r \cdot B_p^d| \leq N$ and a Yes instance if $N > (1 + \gamma) \cdot |(\mathcal{L} - \mathbf{t}) \cap r \cdot B_p^d|$.

One can easily see if we can solve γ -Gap-VCP_p, then by using $\text{poly}(n)$ calls of it we can solve γ -VCP_p. As a result, it suffices to show how to reduce γ -Gap-VCP_p to CVP_p in the following proof.

Proof of Theorem 4.11. Choose a prime $Q = \Theta(fN)$ and let O_{CVP} be the quantum CVP_p oracle. First we prepare the superposition state $\frac{1}{Q^{n/2}} \sum_{\mathbf{z}, \mathbf{c} \in \mathbb{Z}_Q^n} |\mathbf{B}, Q, \mathbf{z}, \mathbf{c}\rangle |0\rangle |\mathbf{t}\rangle |0\rangle |0\rangle$, apply U_{Spar} on the first

six registers, and apply O_{CVP} on the fifth, sixth, seventh registers, and then apply subtraction unitary $U_{sub} : |\mathbf{a}\rangle |\mathbf{b}\rangle |0\rangle \rightarrow |\mathbf{a}\rangle |\mathbf{b}\rangle \|\mathbf{a} - \mathbf{b}\|_p\rangle$ on the last three registers, we get

$$\frac{1}{Q^{n/2}} \sum_{\mathbf{z}, \mathbf{c} \in \mathbb{Z}_Q^n} |\mathbf{B}, Q, \mathbf{z}, \mathbf{c}\rangle |\mathbf{B}_{Q, \mathbf{z}}\rangle |\mathbf{t} + \mathbf{w}_{\mathbf{z}, \mathbf{c}}\rangle |CVP_p(\mathbf{B}_{Q, \mathbf{z}}, \mathbf{t} + \mathbf{w}_{\mathbf{z}, \mathbf{c}})\rangle \|\mathbf{t} + \mathbf{w}_{\mathbf{z}, \mathbf{c}} - CVP_p(\mathbf{B}_{Q, \mathbf{z}}, \mathbf{t} + \mathbf{w}_{\mathbf{z}, \mathbf{c}})\|_p\rangle.$$

Let $r_{\mathbf{z}, \mathbf{c}} = \|\mathbf{t} + \mathbf{w}_{\mathbf{z}, \mathbf{c}} - CVP_p(\mathbf{B}_{Q, \mathbf{z}}, \mathbf{t} + \mathbf{w}_{\mathbf{z}, \mathbf{c}})\|_p$ and uncompute the first seven registers, we get

$$\frac{1}{Q^{n/2}} \sum_{\mathbf{z}, \mathbf{c} \in \mathbb{Z}_Q^n} |r_{\mathbf{z}, \mathbf{c}}\rangle,$$

add another ancilla $|0\rangle$ at the end of the above state, and then apply r -threshold gate

$$U_r : |R\rangle |0\rangle \rightarrow \begin{cases} |R\rangle |1\rangle & \text{if } R \leq r \\ |R\rangle |0\rangle & \text{otherwise,} \end{cases}$$

on it, we get

$$\frac{1}{Q^{n/2}} \left(\sum_{r_{\mathbf{z}, \mathbf{c}} \leq r} |r_{\mathbf{z}, \mathbf{c}}\rangle |1\rangle + \sum_{r_{\mathbf{z}, \mathbf{c}} > r} |r_{\mathbf{z}, \mathbf{c}}\rangle |0\rangle \right) = \sqrt{a} |\phi_1\rangle |1\rangle + \sqrt{1-a} |\phi_0\rangle |0\rangle,$$

where $a = |\{(\mathbf{z}, \mathbf{c}) : r_{\mathbf{z}, \mathbf{c}} \leq r\}|/Q^n = \Pr_{\mathbf{z}, \mathbf{c} \in \mathbb{Z}_Q^n} [r_{\mathbf{z}, \mathbf{c}} \leq r]$. Note that by Theorem B.1, if $|\mathcal{L} \cap (rB_p^n + \mathbf{t})| \leq N$, then

$$\Pr_{\mathbf{z}, \mathbf{c} \in \mathbb{Z}_Q^n} [r_{\mathbf{z}, \mathbf{c}} \leq r] \leq \frac{N}{Q} + \frac{N}{Q^n},$$

and if $|\mathcal{L} \cap (rB_p^n + \mathbf{t})| \geq \gamma N$, then

$$\Pr_{\mathbf{z}, \mathbf{c} \in \mathbb{Z}_Q^n} [r_{\mathbf{z}, \mathbf{c}} \leq r] \geq \frac{\gamma N}{Q} - \frac{\gamma^2 N^2}{Q^2} - \frac{\gamma^2 N^2}{Q^{n-1}}.$$

Observing that $\frac{\gamma N}{Q} - \frac{\gamma^2 N^2}{Q^2} - \frac{\gamma^2 N^2}{Q^{n-1}} - \left(\frac{N}{Q} + \frac{N}{Q^n}\right) = \Theta(f^{-1}(n)N/Q)$, we know that to distinguish the above two cases, it suffices to learn $a = \Pr_{\mathbf{z}, \mathbf{c} \in \mathbb{Z}_Q^n} [r_{\mathbf{z}, \mathbf{c}} \leq r]$ with additive error $\Theta(f^{-1}(n)N/Q)$.

Therefore, by using Theorem A.1, we can solve γ -Gap-VCP_p with $\gamma = f^{-1}(n)$ using $\mathcal{O}(fQ/N)$ queries to O_{CVP} . Because $Q = \Theta(fN)$, we finish the proof. \square