

ABC-KD: Attention-Based-Compression Knowledge Distillation for Deep Learning-Based Noise Suppression

Yixin Wan^{1,2}, Yuan Zhou¹, Xiulian Peng¹, Kai-Wei Chang², Yan Lu¹

¹ Microsoft Research Asia

² Computer Science Department, University of California, Los Angeles

elaine1wan@g.ucla.edu, {zhouyuan, xipe, yanlu}@microsoft.com, kwchang@cs.ucla.edu

Abstract

Noise suppression (NS) models have been widely applied to enhance speech quality. Recently, Deep Learning-Based NS, which we denote as Deep Noise Suppression (DNS), became the mainstream NS method due to its excellent performance over traditional ones. However, DNS models face 2 major challenges for supporting the real-world applications. First, high-performing DNS models are usually large in size, causing deployment difficulties. Second, DNS models require extensive training data, including noisy audios as inputs and clean audios as labels. It is often difficult to obtain clean labels for training DNS models. We propose the use of knowledge distillation (KD) to resolve both challenges. Our study serves 2 main purposes. To begin with, we are among the first to comprehensively investigate mainstream KD techniques on DNS models to resolve the two challenges. Furthermore, we propose a novel Attention-Based-Compression KD method that outperforms all investigated mainstream KD frameworks on DNS task.

Index Terms: Deep Learning-Based Noise Suppression, Knowledge Distillation

1. Introduction

Deep Learning-based Noise Suppression models, which we refer to as Deep Noise Suppression (DNS) models, have achieved outstanding performance over traditional models. However, while DNS models have become the new mainstream in speech enhancement, they also face 2 new challenges. On the one hand, the enormous size of large state-of-the-art DNS models hinders their applications in low-resource settings [5], such as device-end deployment. On the other hand, training a DNS model requires supervision from a large amount of training data, which is unrealistic in real world scenarios. For noise suppression task, the training data constitutes of noisy audio data as the training input and clean audio data as the training target or training label. In real world situations, noisy audios can be easily retrieved, but it is often much more difficult to obtain the corresponding clean audio labels, resulting in the challenge of low-supervision-data in real-world training scenarios.

Our study proposes the use of Knowledge distillation (KD) [9, 24] to resolve the two challenges. KD is a model compression technique that utilizes knowledge from a strong and larger teacher model to supervise a smaller student model. The method has gained increasing attention in various fields of research [2, 4, 3, 1, 25, 26, 10] to decrease model size while maintaining satisfactory performance. We believe that KD is promising in producing smaller and even more powerful DNS models

that can be easily deployed onto edge devices. What's more, KD is capable of resolving the challenge of low-supervision-data in real-world situations with the help of teacher model's output supervision. For instance, for a vanilla KD framework on noise suppression task, responses or outputs of the stronger teacher DNS model, which are de-noised clean audios, can be used as pseudo-labels to supervise a student DNS model during training. Despite being a promising research direction, the application of KD on DNS models has not been systematically studied in previous works. Recognizing the potential of KD techniques in DNS, we propose our work with 3 main contributions:

- We are amongst the first to systematically examine mainstream 1-teacher-1-student KD techniques on DNS task in a low-supervision-data setting.
- We propose a novel Attention-Based-Compression KD (ABC-KD) framework that utilizes both response-based distillation and a layer-wise cross attention framework to compress knowledge across multiple teacher model layers onto a single layer of the student model.
- We examine the effectiveness of ABC-KD through extensive experiments, showing that the method 1) outperforms the supervised student model, and 2) outperforms all investigated mainstream KD frameworks across 2 noise suppression benchmarks.

2. Background

2.1. Deep Noise Suppression

Noise Suppression (NS) is a speech enhancement task for improving quality and intelligibility of speech. NS models aim at reducing background noise in speech and audios, and are often programmed onto edge devices such as laptops, tablets, and cellphones as part of a function or an application. DNS models further incorporated DNN for this task and achieved outstanding performance, thus becoming a major field of research in audio signal processing [6, 7, 31]. While large-scale DNS models are pushing the boundary of traditional NS methods, they also bring 2 new challenges:

- Large model size. The size of state-of-the-art DNS models causes deployment difficulties on resource limited devices.
- Lack of training labels in real-world situations. In real world scenarios, while it is often easy to retrieve noisy audios as training inputs, it is much more difficult to obtain the corresponding clean audios as training labels or targets.

In order to resolve both challenges, this work propose a 1-teacher-1-student KD framework that succeeds in producing smaller and better DNS models with limited training labels.

This work was completed during Yixin Wan's internship at Microsoft Research Asia.

2.2. Knowledge Distillation

KD [9, 24] is a model compression technique that utilizes knowledge from a larger teacher model to supervise a smaller student model. It has gained increasing attention in different fields to significantly reduce model size while maintaining satisfactory performance [4, 2, 3, 1, 25, 26, 10]. Researchers have also studied KD for DNS models [25, 26, 30]. However, the previous studies have 2 major drawbacks: 1) they fail to establish a comprehensive study on KD methods for DNS, and 2) none of them explore KD’s potential in resolving the challenge of low supervision data faced by DNS models in real-world situations.

Our work first investigates different categories of KD methods. Based on the type of supervised knowledge from the teacher model, KD methods can be mainly categorized into Response-Based KD [9, 15], Feature-Based KD [20, 16, 17] and Relation-Based KD [18, 8]. We will briefly introduce these traditional KD methods, as well as introduce 2 more recent state-of-the-art KD techniques.

Response-Based KD Response-Based KD trains the student model to directly mimic the output or response of the teacher model [9, 25, 26]. However, Response-Based KD ignores information in the intermediate layers of the teacher that could be helpful for learning the final prediction task.

Feature-Based KD Feature-based KD further utilizes information from intermediate feature maps of the teacher model to supervise the student model. [20, 19]. However, teacher model usually has more intermediate layers or larger feature map than that of the student. This results in difficulties in supervision using feature representations, as we would need to manually construct the links between the layers of student and teacher to resolve differences in layer number or feature sizes.

Relation-Based KD Relation-based KD explores relations between distributions of different model layers or data samples [8]. However, it assumes a distribution from the data or output logits. Since DNS models take continuous signals that do not belong to distributions as input and output, relation-based KD is not suitable for the task. Therefore, relation-based KD is not investigated in this paper.

Attention-Based KD Traditional feature-based KD utilized manually constructed links between student and teacher knowledge for supervision, which might be ineffective. [4] proposed an attention-based feature distillation method that allows the student to learn from all teacher features without manually pre-defining knowledge links. Their attention-based meta-network utilizes relative similarities between pairs of student and teacher features to control distillation intensity of all pairs.

DistilHuBERT framework Another recent state-of-the-art KD method is the DistilHuBERT framework [10]. In this framework, the student model directly copies the teacher model’s encoder as the initialization of the training. Similar to the feature-based distillation, some of the teacher model’s intermediate layers are manually selected for feature supervision of the student model’s intermediate layers. The main objective is for a student model layer to learn compact representations from different teacher model layers through multiple prediction heads.

3. Methodology

3.1. Model Structure

Following state-of-the-art models in previous works [29, 27, 28], we use an encoder-decoder structure for all teacher and student models in our study. We would like to stress, however,

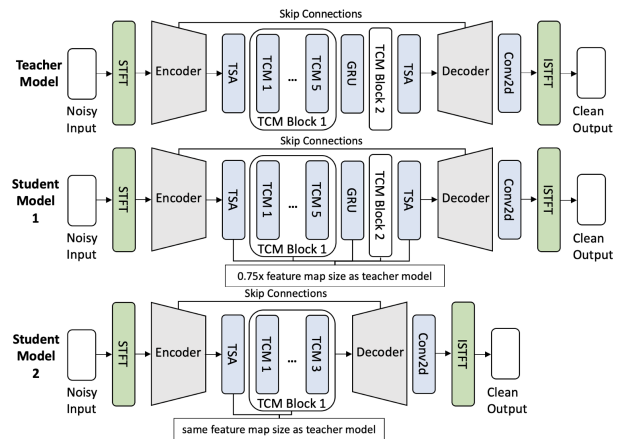


Figure 1: Structures of teacher and student models.

that our proposed ABC-KD method is promising to be extended for application on different DNS model structures. Noisy audio inputs first go through a Short Time Fourier Transform (STFT) block into the encoder with 6 convolution layers. At encoder output, frequency and channel-wise dimensions of the data are combined. Intermediate layers consist of building blocks including Temporal Self-Attention (TSA) layers, Temporal Convolution Modules (TCM), and Gated Recurrent Unit (GRU) layers. The decoder consists of 6 gated de-convolution blocks [14] with skip connections from each encoder layer. It is followed by a convolution layer and an Inverse STFT block to output the clean audio.

Figure 1 illustrates structures of the teacher and student models. Note that we use 2 student models with different structures to adapt to different KD methods in experiments. The teacher model consists of 14 intermediate layers with 5.144M parameters. Student model 1 has the same intermediate layer structure as the teacher model, but its feature map is only .75 the size of the teacher’s. Student model 2 has 10 less intermediate layers and the same size of feature map as the teacher model. In order to ensure soundness of experiment results, the two student models are designed to have comparable model sizes. Student model 1 has 1.558M parameters and student model 2 has 1.497M parameters, both more than 3 times less than the number of parameters of the teacher model.

3.2. ABC-KD Framework

We propose Attention-Based-Compression Knowledge Distillation (ABC-KD), a KD framework that specifically targets DNS task. ABC-KD trains the student model’s last intermediate layer to adaptively learn compressed knowledge across multiple teacher model layers, through a layer-wise attention mechanism. Our distillation pipeline involves 3 stages: initialization stage, attention stage, and compression stage. The 3 stages of our ABC-KD method are illustrated as follows.

Initialization Stage Using the structure of Student Model 2 as the student model, we initialize the parameters for its encoder and all of its intermediate layers with parameters from the corresponding layers of the pre-trained teacher model. The decoder is left uninitialized. Note that we can directly initialize student model layers because they have the same feature map size as the teacher model layers. We then freeze only the initialized encoder throughout the distillation process. Initialized parameters

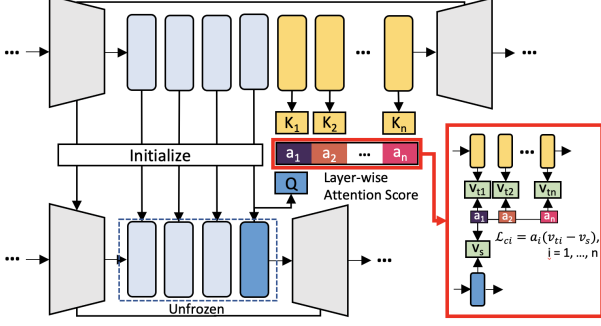


Figure 2: Structure of the proposed ABC-KD mechanism.

in the student’s intermediate layers are left optimize-able.

Attention Stage The attention stage aims at letting the student model’s last intermediate layer choose how much knowledge it wishes to learn from each teacher model layer in the compression stage. We do so by training the last intermediate layer of student model to predict the weighted summation of hidden representation from each teacher model layers. Instead of manually designing the weights, or how much information the student model should learn from each teacher model layer, we propose the incorporation of a layer-wise attention mechanism to determine the intensity of knowledge distillation.

Let $h_s \in \mathbb{R}^{T \times C}$ be the hidden representation from the last intermediate layer of the student model, and $h_t \in \mathbb{R}^{n \times T \times C}$ be hidden representations from teacher model layers, where T is the number of time frames, C is the number of channels, and n is the total number of layers to be distilled. ABC-KD utilizes a layer-wise attention mechanism to determine the intensity of distillation between each pair of teacher-student layers by their level of similarity. Feature from the last intermediate layer of student generates a query $Q \in \mathbb{R}^{T \times C}$, and feature from each of the teacher model layers generates a key $K_i \in \mathbb{R}^{T \times C}$, where i denotes the i_{th} teacher model layer to be distilled. Specifically,

$$Q = W_s^Q \cdot h_s,$$

$$K_i = W_{t,i}^K \cdot h_{t,i}, \quad i = 1, 2, \dots, n,$$

where $W_s^Q \in \mathbb{R}^{T \times T}$ and $W_{t,i}^K \in \mathbb{R}^{T \times T}$ are linear weight matrices for the student layer’s query and the i_{th} teacher layer’s key. We use distinct weight matrices for teacher model layers.

Then, we calculate the layer-wise attention score a_i calculated by Q and each of the K_i ,

$$a_i = \text{softmax}(Q \cdot K_i^\top), \quad i = 1, 2, \dots, n.$$

$a_s = [a_1, a_2, \dots, a_n] \in \mathbb{R}^n$ is then the layer-wise attention score vector that indicates the affinity between the last intermediate layer of student model and each teacher model layer.

Compression Stage We then use the layer-wise attention scores to determine the intensity of knowledge distillation between each pair of student-teacher model layers. We formulate the Attention-Based-Compression distill term as,

$$\mathcal{L}_{abc} = \sum_{i=1}^n a_i \|W_{t,i}^V \cdot h_{t,i} - W_s^V \cdot h_s\|_2,$$

where $W_{t,i}^V \in \mathbb{R}^{T \times T}$ and $W_s^V \in \mathbb{R}^{T \times T}$ are weight matrices to generate values of the last intermediate layer of student model and the i_{th} teacher model layer to be distilled.

We jointly optimize the distillation loss and the response-based loss with the final loss function

$$\mathcal{L} = \mathcal{L}_{abc} + \mathcal{L}_{output},$$

where \mathcal{L}_{output} is the response-based loss that supervises the student model to mimic final outputs of the teacher model. Through the attention and compression mechanisms, student model is able to adaptively decide how to learn compact representation knowledge from teacher model layers.

4. Experiments

4.1. Dataset

For the supervised training dataset, we synthesize 890 hours of 16 kHz noisy audio with clean speech, noises and room impulse responses from the Interspeech 2021 Deep Noise Suppression Challenge [11]. Speech-to-noise ratio (SNR) and speech level are randomly chosen between -5dB to 20dB and -40dB to -10dB, respectively. Each audio is cut into 3-second segments for training. For the distillation dataset, we randomly remove 50% of clean speech targets, which we denote as “data labels”, and use outputs of the supervised teacher model as the pseudo-labels instead. We evaluate outcomes of our experiments on 2 test datasets: the VoiceBank+DEMAND testset [12], and the clips with the tag “Primary” from the blind test set of Track-1 non-personalized DNS at DNS Challenge ICASSP 2022 [13]. All test clips are re-sampled to 16 kHz.

4.2. Implementation Details

We use the Adam optimizer [32] with learning rate 3×10^{-4} for all experiments. We first train the teacher model and the 2 student models with full real-labeled data. Each model is trained for 150 epochs with a batch size of 400. The pre-trained teacher model is then used for further experiments.

We compare our proposed ABC-KD framework with 4 mainstream KD methods through experiments: Response-Based KD, Feature-Based KD, Attention-Based KD, and DistilHuBERT framework. Note that for DistilHuBERT framework, we only reproduce the distillation method, not the model itself. We establish Response-Based KD on Student Model 1 (Response-Based KD-1) and on Student Model 2 (Response-Based KD-2) as baselines for KD methods. For Feature-Based KD, we implement the most vanilla framework with layer-to-layer correspondence between student and teacher models. In Attention-Based KD, we explore the effectiveness of incorporating attention mechanism to improve KD performance. Therefore, we use Student Model 1, which has the same number of intermediate layers as the teacher model, in experiments of the above 3 KD methods. For experiments on Response-Based KD-2 and DistilHuBERT framework, we use Student Model 2, which has only 4 intermediate layers, to explore KD on student models with smaller depth. Note that due to the intrinsic differences in structures, Student Model 1 has slightly more (0.061M) parameters than Student Model 2. For each KD framework, we train for 150 epochs with batch size 400.

On the VoiceBank+DEMAND testset, 4 evaluation metrics are being used: **PESQ**, Perceptual Evaluation of Speech Quality [22]; **CSIG**, **CBAK**, and **COVL**, mean opinion score (MOS) predictor of signal distortion, background-noise intrusiveness, and overall signal quality, respectively [21]. On the “Primary” blind test set of DNS Challenge ICASSP-2022 Track-1, 3 similar MOS metrics provided by the DNSMOS tool are used for evaluation: **SIG**, **BAK**, and **OVL** [23].

Table 1: Results of Supervised Training and Knowledge Distillation Methods with 50% Data Labels

Model / KD Framework	Params	VoiceBank+DEMAND				DNS Challenge ICASSP-2022		
		PESQ	CSIG	CBAK	COVL	SIG	BAK	OVL
Unprocessed	-	1.97	3.35	2.44	2.63	3.972	2.043	2.344
Supervised Teacher (Full)	5.144M	3.25	4.28	3.75	3.78	3.639	4.274	3.320
Supervised Student 1 (Full)	1.558M	3.09	4.02	3.58	3.45	3.320	4.126	3.055
Supervised Student 2 (Full)	1.497M	3.02	4.05	3.42	3.34	3.325	4.107	3.029
Supervised Teacher (50%)	5.144M	3.12	4.20	3.65	3.52	3.602	4.211	3.285
Supervised Student 1 (50%)	1.558M	2.95	3.99	3.35	3.23	3.287	4.110	3.024
Supervised Student 2 (50%)	1.497M	2.89	4.00	3.29	3.19	3.310	4.085	2.987
Response-Based KD-1	1.558M	2.92	3.96	3.33	3.20	3.298	4.105	2.989
Feature-Based KD	1.558M	2.85	3.93	3.19	3.11	3.265	4.078	2.942
Attention-Based KD	1.558M	3.10	4.04	3.50	3.40	3.329	4.109	3.031
Response-Based KD-2	1.497M	2.83	3.91	3.15	3.08	3.267	4.066	2.939
DistilHuBERT framework	1.497M	2.89	3.94	3.22	3.15	3.302	4.088	3.018
ABC-KD	1.497M	3.12	4.08	3.51	3.42	3.331	4.112	3.032

Table 2: Ablation Study on ABC-KD’s Components

KD Framework	DNS Challenge ICASSP-2022		
	SIG	BAK	OVL
ABC-KD	3.331	4.112	3.032
no Attention	3.295	4.092	3.019
no Compression	3.327	4.106	3.030

4.3. Results and Analysis

Evaluation results are shown in Table 1. Rows 1 to 4 are the baselines, including the unprocessed audio and supervised training of models with full-supervision-data. Rows 5 to 13 show results of supervised training and KD methods in a low-supervision-data setting, i.e. only with 50% data labels available. Rows 8 to 10 and rows 11 to 12 show results of the investigated mainstream KD methods on Student Models 1 and 2, respectively. The last row shows our proposed ABC-KD method.

From the results of the 3 mainstream KD methods on Student Model 1 that we experiment with, we observe that: 1) all KD methods fail to outperform supervised training in a low-supervision-data setting. 2) Attention-Based KD (Row 10) gives best KD results while Feature-Based KD (Row 9) performs worst. This shows that the student model learns better by adaptively obtaining knowledge from each teacher model layer through attention, instead of forcing feature knowledge in a layer-to-layer manner. However, we also note that 3) the above-mentioned KD methods have significant drawbacks: Feature-Based KD requires the student to have the same model structure as the teacher, while Attention-Based KD suffers from large training cost due to the attention mechanism.

From the results of the 2 mainstream KD methods on Student Model 2, we observe that: 1) DistilHuBERT framework (Row 12) outperforms Response-Based KD-2 (Row 11), demonstrating that the compression-based feature distillation is effective to boost student model knowledge. 2) Performance of the DistilHuBERT framework on student model 2 also surpasses Feature-Based KD on student model 1, showing that student model can learn compact feature knowledge across teacher layers, and that aligning depth of student and teacher models is not necessary for improving KD performance. However, we also note that 3) the DistilHuBERT framework still fail to outperform supervised training in a low-supervision-data setting.

From observations in previous experiments, we propose the ABC-KD framework that allows the student model to learn compact feature knowledge from teacher model layers. We fur-

ther utilize a layer-wise cross-attention scheme that lets the student model adaptively decide how much knowledge to learn from each teacher layer. Experiments show that ABC-KD framework (Row 13) outperforms all investigated KD methods on both testsets. Additionally, we observe that ABC-KD achieves better performance than both student model 1 and student model 2 under supervised training in a low-supervision-data setting (Rows 6 and 7) and achieves comparable results under full-supervision data setting (Rows 3 and 4), while all other KD methods fail to outperform these baselines. This shows that ABC-KD can help student model maintain satisfactory performance with significantly less training labels.

To further prove the effectiveness of each component of ABC-KD, we construct ablation experiments as shown in Table 2. Row 2 shows results when the attention mechanism is not used, with all teacher layers giving equal contribution to each student layer. Row 3 shows results when compression is not used, i.e. instead of only the last intermediate layer, each middle layer of student gets explicit attention-based supervision from the teacher model. We observe that model performance drops significantly when taking out any component, indicating that both are valid, crucial and effective to our ABC-KD method. Additionally, attention mechanism has larger impact than compression, though at the cost of much higher training complexity.

5. Conclusion

In this work, we propose the use of 1-teacher-1-student KD methods to resolve 2 challenges that DNS models currently face: 1) large model size and 2) lack of training labels in real-world scenario. We first comprehensively investigate mainstream KD methods on this task. Observing the advantages and problems of current KD methods, we propose ABC-KD, a novel KD framework that succeeds in resolving both challenges on DNS task. With ABC-KD, the student model can 1) use response of teacher model as output supervision, and 2) adaptively learn compact feature knowledge across multiple teacher layers through attention-based-compression. This allows the student model to maintain satisfactory performance while having a smaller depth and in a low-supervision-data setting with significantly less available training labels. Besides surpassing all investigated mainstream KD methods, ABC-KD also outperforms supervised training when less training labels are available. Strong results of ABC-KD demonstrate great potential of KD methods for DNS models as a promising alternative to supervised training in a low-supervision-data setting.

6. References

- [1] M. A. Haidar, N. Anchuri, M. Rezagholizadeh, A. Ghadidar, P. Langlais, and P. Poupart, "RAIL-KD: random intermediate layer mapping for knowledge distillation," *CoRR*, vol. abs/2109.10164, 2021. [Online]. Available: <https://arxiv.org/abs/2109.10164>
- [2] V. Sanh, L. Debut, J. Chaumond, and T. Wolf, "Distilbert, a distilled version of bert: smaller, faster, cheaper and lighter," *ArXiv*, vol. abs/1910.01108, 2019.
- [3] X. Jiao, Y. Yin, L. Shang, X. Jiang, X. Chen, L. Li, F. Wang, and Q. Liu, "TinyBERT: Distilling BERT for natural language understanding," in *Findings of the Association for Computational Linguistics: EMNLP 2020*. Online: Association for Computational Linguistics, Nov. 2020, pp. 4163–4174. [Online]. Available: <https://aclanthology.org/2020.findings-emnlp.372>
- [4] M. Ji, B. Heo, and S. Park, "Show, attend and distill: Knowledge distillation via attention-based feature matching," in *AAAI*, 2021.
- [5] S. Braun, H. Gamper, C. K. A. Reddy, and I. Tashev, "Towards efficient models for real-time deep noise suppression," *ICASSP 2021 - 2021 IEEE International Conference on Acoustics, Speech and Signal Processing (ICASSP)*, pp. 656–660, 2021.
- [6] P. C. Loizou, *Speech Enhancement: Theory and Practice*, 2nd ed. USA: CRC Press, Inc., 2013.
- [7] D. Wang and J. Chen, "Supervised speech separation based on deep learning: An overview," *IEEE/ACM Trans. Audio, Speech and Lang. Proc.*, vol. 26, no. 10, p. 1702–1726, oct 2018. [Online]. Available: <https://doi.org/10.1109/TASLP.2018.2842159>
- [8] J. Gou, B. Yu, S. J. Maybank, and D. Tao, "Knowledge distillation: A survey," *Int. J. Comput. Vision*, vol. 129, no. 6, p. 1789–1819, jun 2021. [Online]. Available: <https://doi.org/10.1007/s11263-021-01453-z>
- [9] G. E. Hinton, O. Vinyals, and J. Dean, "Distilling the knowledge in a neural network," *ArXiv*, vol. abs/1503.02531, 2015.
- [10] H.-J. Chang, S.-w. Yang, and H.-y. Lee, "Distilhubert: Speech representation learning by layer-wise distillation of hidden-unit bert," in *ICASSP 2022 - 2022 IEEE International Conference on Acoustics, Speech and Signal Processing (ICASSP)*, 2022, pp. 7087–7091.
- [11] C. K. A. Reddy, H. Dubey, K. Koishida, A. A. Nair, V. Gopal, R. Cutler, S. Braun, H. Gamper, R. Aichner, and S. Srinivasan, "Interspeech 2021 deep noise suppression challenge," *CoRR*, vol. abs/2101.01902, 2021. [Online]. Available: <https://arxiv.org/abs/2101.01902>
- [12] C. Valentini-Botinhao, X. Wang, S. Takaki, and J. Yamagishi, "Investigating rnn-based speech enhancement methods for noise-robust text-to-speech," in *SSW*, 2016.
- [13] H. Dubey, V. Gopal, R. Cutler, A. Aazami, S. Matushevych, S. Braun, S. E. Eskimez, M. Thakker, T. Yoshioka, H. Gamper, and R. Aichner, "Icassp 2022 deep noise suppression challenge," 2022. [Online]. Available: <https://arxiv.org/abs/2202.13288>
- [14] C. Zheng, X. Peng, Y. Zhang, S. Srinivasan, and Y. Lu, "Interactive speech and noise modeling for speech enhancement," in *AAAI*, 2021.
- [15] Z. Meng, J. Li, Y. Zhao, and Y. Gong, "Conditional teacher-student learning," *ICASSP 2019 - 2019 IEEE International Conference on Acoustics, Speech and Signal Processing (ICASSP)*, pp. 6445–6449, 2019.
- [16] N. Passalis and A. Tefas, "Learning deep representations with probabilistic knowledge transfer," in *ECCV*, 2018.
- [17] S. Lee, D. H. Kim, and B. C. Song, "Self-supervised knowledge distillation using singular value decomposition," in *ECCV*, 2018.
- [18] J. Kim, S. Park, and N. Kwak, "Paraphrasing complex network: network compression via factor transfer," in *Proceedings of the 32nd International Conference on Neural Information Processing Systems*, 2018, pp. 2765–2774.
- [19] D. Chen, J.-P. Mei, Y. Zhang, C. Wang, Z. Wang, Y. Feng, and C. Chen, "Cross-layer distillation with semantic calibration," in *AAAI*, 2021.
- [20] A. Romero, S. E. Kahou, P. Montréal, Y. Bengio, U. D. Montréal, A. Romero, N. Ballas, S. E. Kahou, A. Chassang, C. Gatta, and Y. Bengio, "Fitnets: Hints for thin deep nets," in *International Conference on Learning Representations (ICLR)*, 2015.
- [21] Y. Hu and P. C. Loizou, "Evaluation of objective quality measures for speech enhancement," *IEEE Transactions on Audio, Speech, and Language Processing*, vol. 16, no. 1, pp. 229–238, 2008.
- [22] I. Union, "Wideband extension to recommendation p. 862 for the assessment of wideband telephone networks and speech codecs," *International Telecommunication Union, Recommendation P*, vol. 862, 2007.
- [23] C. K. A. Reddy, V. Gopal, and R. Cutler, "Dnsmos p.835: A non-intrusive perceptual objective speech quality metric to evaluate noise suppressors," in *ICASSP 2022 - 2022 IEEE International Conference on Acoustics, Speech and Signal Processing (ICASSP)*, 2022, pp. 886–890.
- [24] C. Buciluundefined, R. Caruana, and A. Niculescu-Mizil, "Model compression," ser. KDD '06. New York, NY, USA: Association for Computing Machinery, 2006, p. 535–541. [Online]. Available: <https://doi.org/10.1145/1150402.1150464>
- [25] X. Hao, X. Su, Z. Wang, Q. Zhang, H. Xu, and G. Gao, "Snrbased teachers-student technique for speech enhancement," in *2020 IEEE International Conference on Multimedia and Expo (ICME)*, 2020, pp. 1–6.
- [26] X. Hao, S.-X. Wen, X. Su, Y. Liu, G. Gao, and X. Li, "Sub-band knowledge distillation framework for speech enhancement," *ArXiv*, vol. abs/2005.14435, 2020.
- [27] C. Zheng, X. Peng, Y. Zhang, S. Srinivasan, and Y. Lu, "Interactive speech and noise modeling for speech enhancement," in *AAAI Conference on Artificial Intelligence*, 2020.
- [28] Q. Li, F. Gao, H. Guan, and K. Ma, "Real-time monaural speech enhancement with short-time discrete cosine transform," *ArXiv*, vol. abs/2102.04629, 2021.
- [29] S. Zhao, T. H. Nguyen, and B. Ma, "Monaural speech enhancement with complex convolutional block attention module and joint time frequency losses," in *ICASSP 2021 - 2021 IEEE International Conference on Acoustics, Speech and Signal Processing (ICASSP)*, 2021, pp. 6648–6652.
- [30] M. Thakker, S. E. Eskimez, T. Yoshioka, and H. Wang, "Fast real-time personalized speech enhancement: End-to-end enhancement network (e3net) and knowledge distillation," in *Interspeech 2022*, September 2022.
- [31] N. L. Westhausen and B. T. Meyer, "Dual-Signal Transformation LSTM Network for Real-Time Noise Suppression," in *Proc. Interspeech 2020*, 2020, pp. 2477–2481. [Online]. Available: <http://dx.doi.org/10.21437/Interspeech.2020-2631>
- [32] D. P. Kingma and J. Ba, "Adam: A method for stochastic optimization," *CoRR*, vol. abs/1412.6980, 2014.