

Systematic Approach for Tuning Flux-driven Josephson Parametric Amplifiers for Stochastic Small Signals

Çağlar KUTLU^{1,2}, Saebyeok AHN^{1,2}, Sergey V. UCHAIKIN², Soohyung LEE², Arjan F. VAN LOO^{3,4}, Yasunobu NAKAMURA^{3,4}, Seonjeong OH², and Yannis K. SEMERTZIDIS^{2,1}

¹*Korea Advanced Institute of Science and Technology, Daejeon 34051, Republic of Korea*

²*Center for Axion and Precision Physics Research, Institute for Basic Science, Daejeon, 34051, Republic of Korea*

³*RIKEN Center for Quantum Computing (RQC), Wako, Saitama 351-0198, Japan*

⁴*Department of Applied Physics, Graduate School of Engineering, The University of Tokyo, Bunkyo-ku, Tokyo 113-8656, Japan*

E-mail: caqlar.kutlu@gmail.com; uchaikin@ibs.re.kr

(Received August 2, 2022)

Many experiments operating at millikelvin temperatures with signal frequencies in the microwave regime are beginning to incorporate Josephson Parametric Amplifiers (JPA) as their first amplification stage. While there are implementations for a wideband frequency response with a minimal need for tuning, designs using resonant structures with small numbers of Josephson elements still achieve the best noise performance. In a typical measurement scheme involving a JPA, one needs to control the resonance frequency, pump frequency and pump power to achieve the desired amplification and noise properties. In this work, we propose a straightforward approach for operating JPAs with the help of a look-up table (LUT) and online fine-tuning. Using the proposed approach, we demonstrate the operation of a flux-driven JPA with 20 dB gain around 5.9 GHz, covering approximately 100 MHz with 20 kHz tuning steps. The proposed methodology was successfully used in the context of a haloscope axion experiment.

KEYWORDS: josephson parametric amplifier, axion dark matter, noise temperature, cryogenic microwave amplifier

1. Introduction

Quantum mechanics imposes a minimum uncertainty constraint in all measurement systems. This property manifests itself in the context of microwave detection chains as the quantum limit on added noise and given by $T_Q = \frac{hf}{2k_B}$ [1]. While there have been demonstrations of techniques evading this limit [2] (e.g.. squeezing), they typically require the phase of the expected signal to be known [3]. Therefore, such techniques are not directly applicable to measurements of signals with a stochastic phase component. Experiments looking for signatures from axion-like particles as components for the unknown matter in our galaxy involve such measurements [4–7].

By convention, the noise characteristics of detection chains are quantified using their so-called noise temperature T_n , which is defined using the measured power within a bandwidth B given as $P = G(P_{\text{src}} + k_B B T_n)$, where G is the power gain of the whole chain, P_{src} is the source signal with its accompanying noise and k_B is Boltzmann constant. Currently, the lowest noise temperatures in the microwave regime are achieved using Josephson parametric

amplifiers (JPA) as the first stage in the detection chain. Since the noise temperature of a JPA depends on its input noise [8], such systems typically operate in the millikelvin regime to reduce the thermal background. While there are many competing JPA designs, this work focuses on a flux-driven JPA design [9] comprising a $\lambda/4$ resonator terminated with a superconducting quantum interference device (SQUID). The DC component of the magnetic flux through the SQUID loop controls the resonance frequency (f_r) while the AC component provides the inductance modulation necessary to achieve parametric amplification. The design incorporates a second transmission line that inductively couples to the SQUID loop. This path, referred to as the pump line, provides the AC component of the magnetic flux. An external coil provides the static magnetic field in the experimental fixture. In order to operate the JPA with the desired amplification and noise properties one needs to tune the coil current (i_b), pump frequency (f_p), and pump power (P_p). This work demonstrates a method for controlling these parameters to achieve the minimum noise temperature for a particular gain requirement. The proposed method is implemented in an experiment searching for a hypothetical particle, the axion, expected to comprise the unknown matter content in the milky way galaxy.

2. Methodology

When the JPA is operated in the three-wave mixing mode, the relation $f_p = f_s + f_i$ will be satisfied where f_s is the signal frequency and the f_i is the idler frequency [10]. Throughout this work, the output is always measured at the signal frequency. The JPA gain is a function of frequency typically with a peak occurring at $f_{sc} = f_p/2$. Using G_J to denote the peak gain value, the tuning is done by following the steps below :

- (1) Tune i_b such that f_r is equal to the desired f_{sc} .
- (2) Set f_p to $2f_{sc}$.
- (3) Increase P_p until the desired gain is obtained.
- (4) Repeat step 2 and 3 for *small* deviations from f_r by changing i_b .
- (5) Pick a set of i_b, f_p, P_p that has the lowest P_p for the desired gain at f_{sc} .

While the optimization protocol described above is straightforward, it requires f_{sc} to be known ahead of time. Since for many experiments f_{sc} is decided during the experiment, this is not very practical. In order to avoid spending time on optimization during the experiment, we generate a look-up table (LUT) for JPA state parameters using f_{sc} and G_J as indexing pairs. Introducing the detuning variable as $\delta = f_p/2 - f_r$ ¹, we first do a set of characterization measurements with the following steps :

- (1) With the pump off, measure f_r as a function of i_b .
- (2) Given the frequency range of interest $[f_{\min}, f_{\max}]$, measure G_J at $i_b(f_r = f_{\min})$ and $i_b(f_r = f_{\max})$ as a function of P_p and δ . From these measurements, define a rectangular sweeping region for δ and P_p where $G_J \geq 0$ dB.
- (3) Perform a detailed G_J measurement by sweeping δ and P_p at a set of i_b covering $[f_{\min}, f_{\max}]$. This step yields the complete G_J dataset for $(i_b, f_p, P_p) \rightarrow (f_{sc}, G_J)$.

In order to investigate the noise behavior with respect to i_b, f_p, P_p , and G_J we have measured T_n as a function of f_p and P_p for a small set of i_b ². These measurements reveal that for a particular G_J , T_n is minimized when P_p is minimized (see Fig. 1). Using this as a constraint we construct the LUT using the following algorithm :

¹Experimentally, we vary δ only by tuning f_p .

²We limit these measurements to a few i_b because it is much more time consuming to measure T_n in comparison to G_J .

- (1) Upsample the G_J dataset in δ , P_p and i_b using linear interpolation.
- (2) Using $f_{sc} = f_p/2$, group data points in intervals with lengths f_{step} in the range $[f_{min}, f_{max}]$.
- (3) For each frequency interval, group measurements by their gains with the bin edges given by the set $S_G = \{G_1, G_2, \dots, G_N\}$.
- (4) Construct the LUT by picking the $\{i_b, f_p, P_p\}$ with the smallest P_p for each gain group within each frequency interval.
- (5) If the table is not densely populated enough, repeat from step 1 with higher upsampling factors.

The end product of this process is a LUT providing a mapping of the form $(f_{sc}, G_J) \rightarrow (i_b, f_p, P_p)^3$. With access to this table, an index look-up operation is sufficient to find the noise-optimal operation point for a desired G_J . The benefit to this approach, as opposed to selecting the desired working point from the full G_J dataset during experiment is the reduced computational complexity.

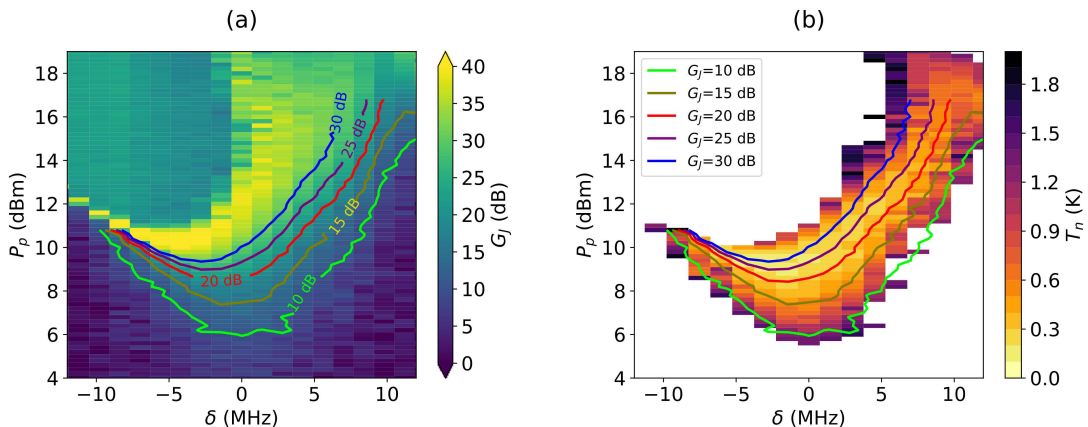


Fig. 1. Measurements performed on a test bench setup. (a) G_J as a function of δ and P_p . The overlaid lines correspond to contours calculated from the same data with the upper sections avoided for clarity. (b) T_n as a function of δ and P_p . The gain contours shown in (a) are overlaid for comparison. It can be seen that noise temperatures along a particular equigain curve are minimal at the lowest P_p .

3. Application

The described procedure is implemented as part of an axion haloscope in the Center for Axion and Precision Physics Research (CAPP). The haloscope consists of a microwave cavity, an 8 T superconducting magnet surrounding it, and a receiver chain to transfer the signal into the spectrum analyzer. The experiment is housed in a Bluefors LD400 dilution refrigerator with the cavity and the JPA installed at the mixing-chamber (MC) plate. The MC temperature was kept at 40 mK during all of the experiments.

The G_J is estimated by measuring s_{21} at a single frequency $f = f_{sc} + 1$ kHz using a vector network analyzer (see Fig. 3). First, a baseline measurement (s_{off}) is performed after tuning f_r away from the frequency region of interest⁴. Then the JPA is tuned to the desired

³One should make the distinction that the indexes in LUT merely label the intervals.

⁴ i_b is adjusted so that $\Phi = -0.48\Phi_0$. This ensures f_r is far from the frequency of interest which typically have $\Phi > -0.4$.

f_{sc} (Hz)	G_J (dB)	i_b (μ A)	f_p (GHz)	P_p (dBm)
\vdots	\vdots	\vdots	\vdots	\vdots
(5862243665, 5862253665]	● (18.0, 20.0]	-259.654	11.724500	-5.4
	● (20.0, 22.0]	-259.654	11.724500	-5.2
	● (22.0, 25.0]	-259.548	11.724492	-5.0
(5862253665, 5862263665]	● (18.0, 20.0]	-259.570	11.724516	-5.4
	● (20.0, 22.0]	-259.570	11.724516	-5.2
	● (22.0, 25.0]	-259.570	11.724516	-5.0
(5862263665, 5862273665]	● (18.0, 20.0]	-259.591	11.724540	-5.4
	● (20.0, 22.0]	-259.591	11.724540	-5.2
	● (22.0, 25.0]	-259.591	11.724540	-5.0
(5862273665, 5862283665]	● (18.0, 20.0]	-259.612	11.724566	-5.4
	● (20.0, 22.0]	-259.612	11.724566	-5.2
	● (22.0, 25.0]	-259.485	11.724559	-5.0
(5862283665, 5862293665]	● (18.0, 20.0]	-259.506	11.724582	-5.4
	● (20.0, 22.0]	-259.506	11.724582	-5.2
	● (22.0, 25.0]	-259.506	11.724582	-5.0
(5862293665, 5862303665]	● (18.0, 20.0]	-259.633	11.724602	-5.4
	● (20.0, 22.0]	-259.633	11.724602	-5.2
	● (22.0, 25.0]	-259.527	11.724606	-5.0
\vdots	\vdots	\vdots	\vdots	\vdots

Table I. A small section from a LUT constructed with the method described in this work. The colored rows correspond to points contributed from measurements shown in Fig. 2.

working point, and a subsequent s-parameter measurement (s_{off}) is performed. From these two measurements, the power gain⁵ is estimated via $G_J = 10 \log_{10} |s_{\text{on}}/s_{\text{off}}|^2$. Following the procedure described in the previous section, the swept data set for G_J is obtained for f_r in the range 5.8–5.96 GHz. The LUT is generated using this data set with $f_{\text{step}} = 10$ kHz and $S_G = \{18, 20, 22, 25\}$ ⁶. The JPA tuning is then performed as part of the haloscope experiment following the steps below at each iteration:

- (1) Tune the cavity to target frequency f_{cav} .
- (2) Let f_{sc} to be f_{cav} .
- (3) Search the LUT for an entry corresponding to the chosen f_{sc} and $G_J = 20$ dB. If there is an entry, use the corresponding (i_b, f_p, P_p) to set the working point. If there is no entry, abort the procedure.
- (4) The impedance seen by the JPA will be slightly different depending on the cryogenic switch position. Since the LUT is generated with the switch pointing at the noise source, the G_J measured at this step will usually be off by about 1–2 dB. To compensate, fine-tune P_p until G_J is (20.0 ± 0.4) dB. This will also correct for the small drifts in the pump signal power.
- (5) Measure the noise temperature.
- (6) Integrate axion-sensitive spectra.

In addition to in-situ measurements, noise temperatures of selected points from the LUT were also measured with the cryogenic switch pointing at the noise source (see Fig. 4).

⁵One should keep in mind that this is actually an estimation for the *total gain change* rather than the gain of the JPA itself.

⁶For the duration of the measurements necessary for LUT construction, the cryogenic switch was kept pointing towards the noise source.

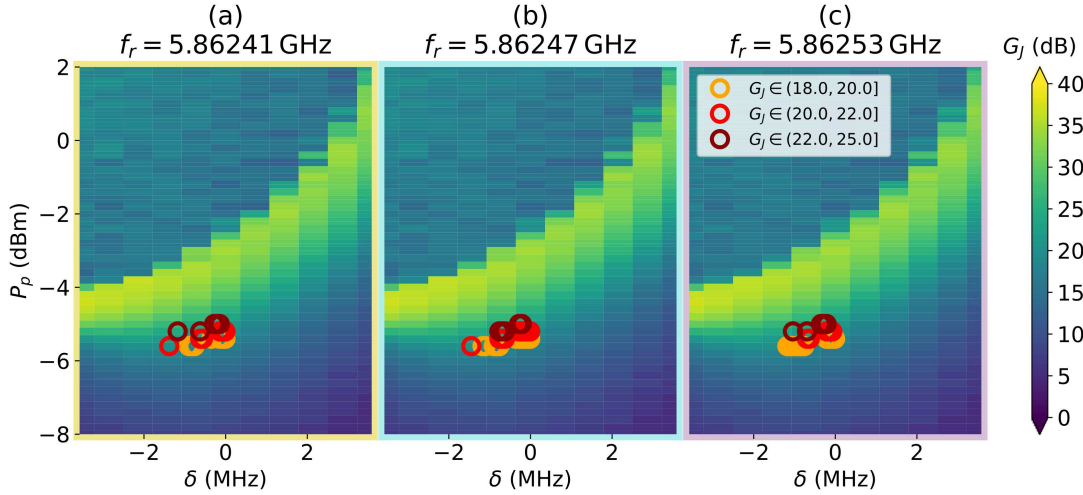


Fig. 2. G_J as a function of $\delta = f_p/2 - f_r$ and P_p performed at three example i_b corresponding to $f_r = 5.86241$ GHz (a), $f_r = 5.86247$ GHz (b) and $f_r = 5.86253$ GHz (c). In a typical dataset there are a total of 341 such measurements. The circles correspond to the points chosen by the algorithm for inclusion in the LUT.

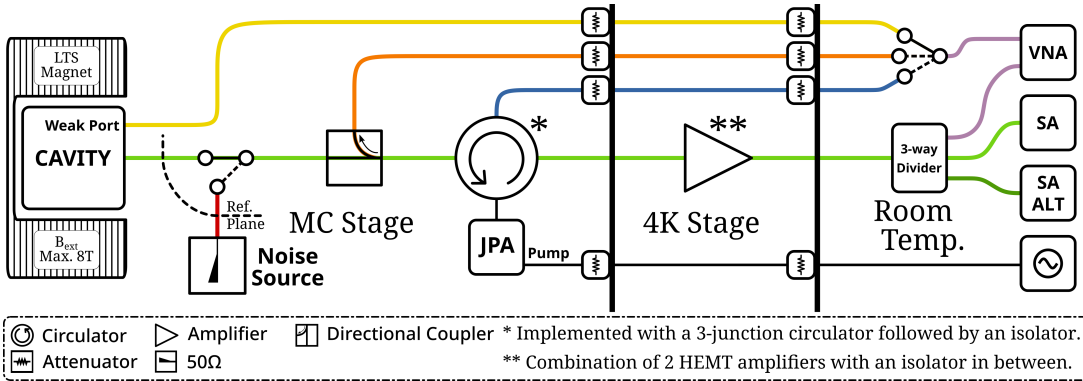


Fig. 3. Simplified diagram for an axion haloscope. The colors are used to highlight several experimentally relevant signal paths. The JPA characterization measurements are performed with the room temperature switch pointing at the path shown in orange.

4. Conclusion

For a JPA based detection chain, the T_n and G_J depend on the control parameters in a non-trivial manner. While it is possible to minimize T_n at a given G_J by adjusting the JPA control parameters during the experiment, this is time-consuming and tedious when the number of working points required is large. In this work, we proposed a look-up table based method for optimizing the noise temperature of a JPA at a given gain and operating frequency. In order to generate a viable LUT, a straightforward characterization protocol for gain measurements was used. The construction of the LUT relies on the knowledge that the T_n is minimized with P_p which was confirmed by separate measurements. The proposed approach was applied successfully in the context of an axion haloscope experiment around 5.9 GHz. The LUT generation protocol was fully automated with a typical measurement time of about 12 hours for 120 MHz of coverage. The produced LUT is then viable for the whole duration of a cooldown which typically lasted more than a month. During the

axion experiment, the JPA center frequency was tuned from 5.83 to 5.94 GHz using 20 kHz steps while maintaining minimal noise temperature. The tuning times were nominally less than 2s with the limiting factor being the time cost of measurements during online gain correction. Moreover, it was observed that LUTs constructed on separate cooldowns of the cryostat yielded nearly identical results in noise temperature. Currently, this method is employed in all experiments involving a JPA in CAPP.

5. Acknowledgement

This work is supported in part by the Institute for Basic Science (IBS-R017-D1) and JST ERATO (Grant No. JPMJER1601). Arjan F. van Loo was supported by a JSPS postdoctoral fellowship.

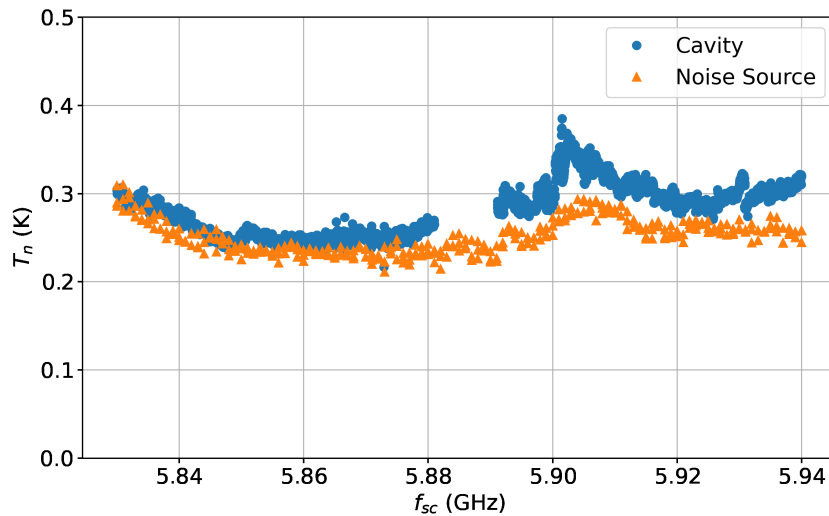


Fig. 4. T_n versus operating frequency (f_{sc}) for the detection chain in the axion experiment. Blue data points correspond to combined results of in-situ measurements during data taking runs spanning 6 months. The orange data set was measured within a day while the cryogenic switch is pointing at a 50 Ω resistor at 40 mK (noise source). The major source of difference between the two measurements is related to the non-ideal behavior of circulators leading to complex interactions between the cavity and the JPA. The noise temperature being higher than the quantum limit of 140 mK is attributed to the accumulated loss and reflection effects of the components before the JPA with the approximate contribution of 20 to 26 mK from the later amplification stages.

References

- [1] C. Caves, Phys. Rev. D **26**, 1817 (1982)
- [2] L. Zhong, E. Menzel, R. Di Candia, *et al.*, New Journal Of Physics **15**, 125013 (2013)
- [3] A. Clerk, M. Devoret, S. Girvin, *et al.*, Rev. Mod. Phys. **82**, 1155 (2010)
- [4] B. Brubaker, L. Zhong, Y. Gurevich, *et al.*, Phys. Rev. Lett. **118**, 061302 (2017)
- [5] S. Lee, S. Ahn, J. Choi, *et al.*, Phys. Rev. Lett. **124**, 101802 (2020)
- [6] J. Jeong, S. Youn, S. Bae, *et al.*, Phys. Rev. Lett. **125**, 221302 (2020)
- [7] O. Kwon, D. Lee, W. Chung, *et al.*, Phys. Rev. Lett. **126**, 191802 (2021)
- [8] Ç. Kutlu, A. F. van Loo, S. V. Uchaikin, *et al.*, Supercond. Sci. Technol. **34**, 085013 (2021).
- [9] T. Yamamoto, K. Inomata, M. Watanabe, *et al.*, Appl. Phys. Lett. **93**, 042510 (2008)
- [10] A. Roy, M. Devoret, Comptes Rendus Physique **17**, 740 (2016)