

THE SPINOR LINKAGE – A MECHANICAL IMPLEMENTATION OF THE PLATE TRICK

ALEXANDER E. HOLROYD

ABSTRACT. The plate trick or belt trick is a striking physical demonstration of properties of the double cover of the three-dimensional rotation group by the sphere of unit quaternions or spinors. The two ends of a flexible object are continuously rotated with respect to each other. Surprisingly, the object can be manipulated so as to avoid accumulating twists. We present a new mechanical linkage that implements this task. It consists of a sequence of rigid bodies connected by hinge joints, together with a purely mechanical control mechanism. It has one degree of freedom, and the motion is generated by simply turning a handle.

1. INTRODUCTION

Consider a rigid object, spinning continuously at constant angular velocity around a fixed axis, say a vertical one. Suppose that the object is tethered to the ground via a flexible connector, such as a rope, belt or cable, which is fixed rigidly to the object at one end, and to the ground at the other. What will happen to the connector as the rotation continues? Will it inevitably become more and more twisted (to the point of physical failure)? Or is it possible to somehow untwist it after each full rotation?

The startling truth is that neither answer is correct. It *is* possible to manipulate the connector in such a way that it returns to its original state, without moving the object, but only after the object has made *two* full rotations. If the appropriate manipulation is performed every two rotations, the object can continue to spin indefinitely.

Various physical demonstrations of this striking phenomenon have been devised. In the *belt trick*, the object is the buckle of a belt. The other end of the belt is held fixed, with the belt initially flat. The buckle is given two full twists; then the belt can be returned to its original state solely by translating (not rotating) the buckle. Alternatively, the connector can be a human body. In the *plate trick*, or *candle dance*, a person holds a plate or a lighted candle in one hand, with a fixed grip, and spins it continuously about a vertical axis, while keeping their feet fixed on the ground. The arm and body return to their original state every *two* full rotations of the object. With practice and athleticism, the necessary contortions can be confined primarily to the arm. Moreover, the trick can be performed with very little horizontal translation movement of the object. Avoiding vertical translation as well appears more challenging. The reader is encouraged to explore the many online video demonstrations (easily found from the above search terms), and to try the various tricks for themselves.

One might think of the human arm as a flexible connector akin to a belt, but its motion is more constrained than that. To a reasonable approximation, it is a linkage

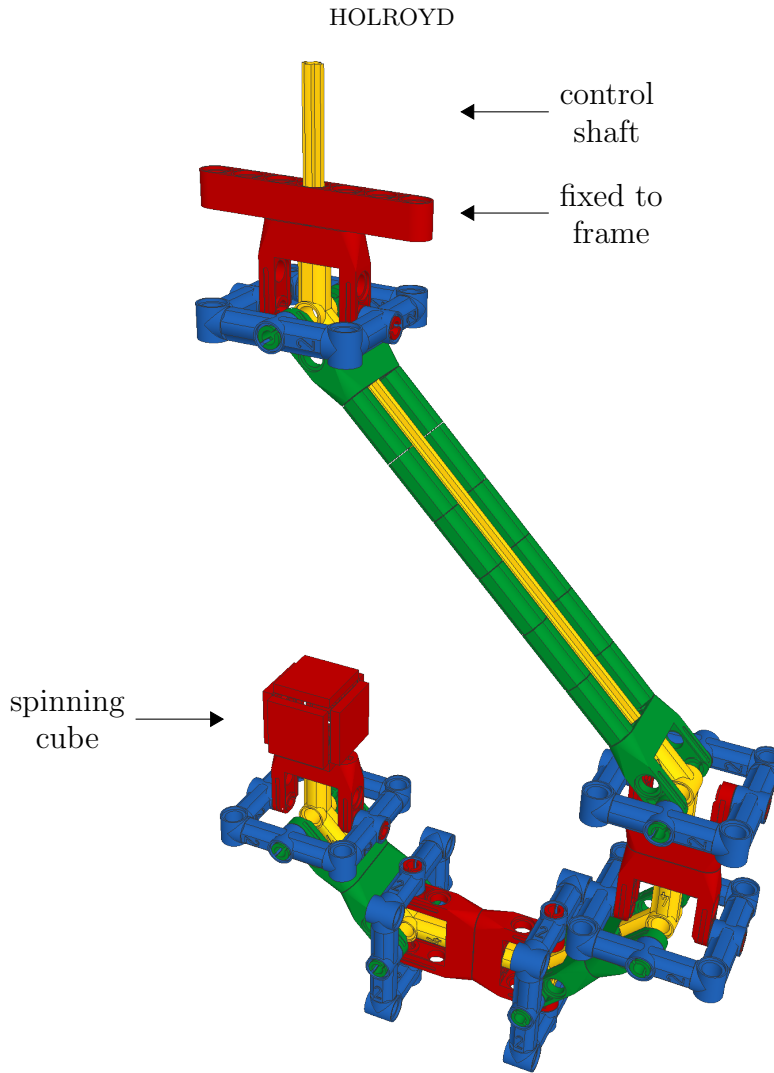


FIGURE 1. The Spinor Linkage.

composed of a sequence of joints. Since there are also flexible structures such as blood vessels running along its length, each joint must allow motion only within a certain range. How many joints are needed, and what kind? This article is in part motivated by such questions.

The candle dance features in traditional Indonesian and Philippine dances. The belt trick and a variant involving scissors tethered by multiple strings appear to have been popularized by Paul Dirac, motivated by deep connections to the concept of spin in particle physics. See e.g. [6] for more information.

Underlying the phenomenon is the celebrated two-to-one map (or double cover) from the 3-sphere of unit 4-vectors of reals to the space $SO(3)$ of 3-dimensional rotations fixing the origin. The 4-sphere is simply connected, but the rotation space is not. One full turn by 2π of an object about a fixed axis corresponds to a non-contractible loop in the rotation space, which maps back to a path between antipodal points on the sphere. A double turn by 4π maps to a great circle of the sphere, and is therefore contractible.

The belt or connector may be viewed as a path in the rotation space, encoded by the orientations of elements along its length. The untwisting operation sweeps out a surface in the rotation space which corresponds to a contraction. The rotation space has a group structure as well as a topological structure. If 3-sphere is parameterised by unit quaternions, then the map becomes a continuous group homomorphism. In this setting, elements of the sphere are known as *spinors*. Detailed accounts of the mathematical background may be found for example in [2, 7–9].

The purpose of this article is to introduce a new physical demonstration of the phenomenon discussed above: a mechanical device that performs the plate trick. We call it the spinor linkage. Shown in Figure 1, the device takes the form of a mechanical arm that plays a role analogous to the human arm. It consists of 13 rigid bodies (each shown in one colour), connected in sequence by 12 hinge joints. Each hinge joint permits its two incident bodies to pivot about a fixed axis relative to themselves, through an interval of angles of length 90° . (In a natural frame of reference suggested by the shapes of the rigid bodies, each interval is $[-45^\circ, 45^\circ]$). The body at one end (near the top of the figure) is held fixed, while the body at the other end (the small cube near the center of the figure) is able to spin continuously about a fixed (vertical) axis, while keeping the same location. Moreover (and this is the key innovation), this motion is produced by a mechanism inside the arm, operated simply by turning a handle. In fact, the control mechanism turns out to be very simple, and requires only one further moving part. The entire device has exactly one mechanical degree of freedom, and its motion forms a loop in the configuration space.

Figure 2 shows a working physical model of the spinor linkage, made by the author from LEGO pieces. See [4] for a video. As seen here, it is possible to run a piece of string along the outside of the arm in such a way that it flexes along with the arm. One end of the string can be tied off to the fixed external frame, while the other end is tied to the cube and rotates continuously, without the string ever getting twisted up. The version depicted here has a different colour scheme which helps to illustrate some features of the motion. The arm has a roughly square cross-section, and each of its four sides has its own colour.

Even when one sees the plate trick or its variants in action and understands the mathematics, the phenomenon remains quite mysterious. It is far from easy to understand intuitively how the motion is possible, and what is really going on. As we will explain, the new mechanism offers some perspectives which may be helpful.

The spinor linkage was discovered by the author via experimentation with LEGO pieces, after hearing about the plate trick and its mathematical underpinnings in a beautiful lecture series by Richard Schwartz given at the Illustrating Mathematics Programme at ICERM in 2019. LEGO is an extremely useful platform for exploring mechanisms, and it turns out to be ideally suited to the particular problem at hand. In an appendix we provide full instructions for the reader to make their own LEGO implementation.

The closest relative of the spinor linkage that we are aware of is the anti-twist mechanism patented in 1971 by Dale A. Adams [1] – see Figure 3. This uses gearing to

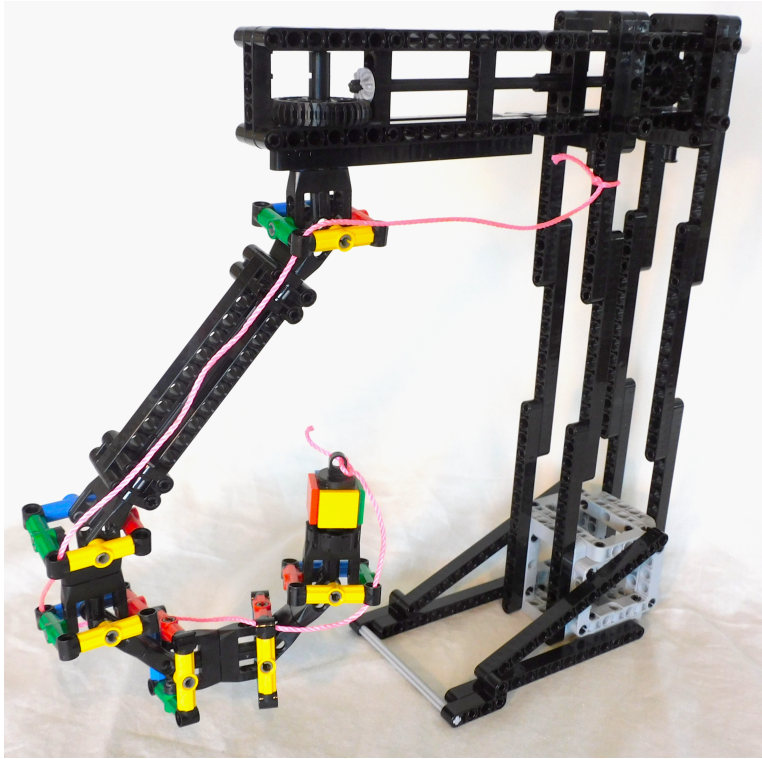


FIGURE 2. Implementation in LEGO, with string added.

guide a flexible conduit in such a way that its free end spins without twisting. Note the similarity in shape to Figure 1. We briefly discuss anti-twist mechanisms later.

2. THE MECHANISM

As mentioned above, the spinor linkage comprises 14 rigid bodies in total. The 7 “flat” units in Figure 5a alternate with the 6 identical rings in Figure 5b to form the outer arm. These 13 bodies are connected to each other in sequence via hinge joints. The final body is a single rigid hook-shaped shaft (Figure 5c) which runs through the inside of the arm through a series of holes in the flat units, and provides the control mechanism. This shaft is free to rotate in the holes, but cannot slide lengthways.

In operation, the uppermost flat unit is held rigidly in place (by an external frame), and the hook-shaped control shaft is rotated around a vertical axis, by means of its uppermost protruding end. Naturally this results in the arm swinging around together with the hook. The other end of the hook lies on its rotation axis, inside the cube which forms the other end of the arm. Hence the cube remains at the same location. However, the arm changes shape locally. Its parts roll around the hook along its length, which results in the cube also rotating in place around a vertical axis.

It is crucial that the lower end of the hook is not connected rigidly to the cube. Instead it is free to rotate in a vertical hole in the cube. Indeed, the hook and cube rotate at different speeds. The cube rotates at exactly twice the speed of the hook, and in the same direction. This is intimately related to the underlying mathematics of the

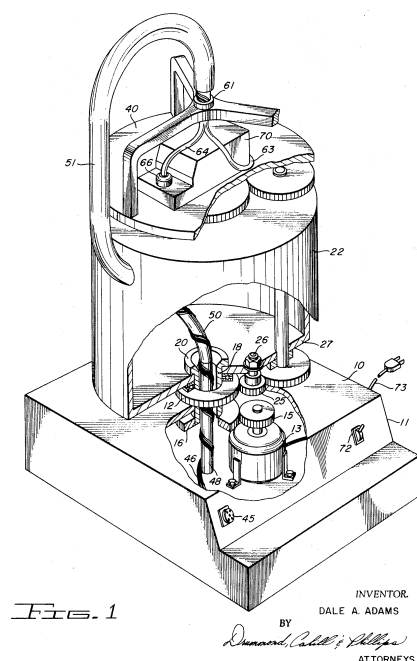


FIGURE 3. Adams' anti-twist mechanism; patent US 3586413.

plate trick as discussed earlier. When the cube has made one full rotation, the arm is not in its original state (indeed, that would be impossible). Instead it has the opposite orientation. Two full rotations of the cube restore the arm to its original position.

Three snapshots of the motion are shown in Figure 4. Here the four sides of the arm are again assigned different colours. The control shaft is rotated through 180° (in two steps of 90°), causing the cube to rotate by 360° (in two steps of 180°). Watching the video [4] is highly recommended.

3. HOW IT WORKS

Our starting point is the *universal joint*, as shown¹ in Figure 6. This well-known mechanism consists of three rigid bodies: two *yokes* (Figure 6a), each of them connected to a central *cross* (Figure 6b) via a pivot (or hinge joint). The axes of the two pivots intersect each other at right angles at the center of the cross. In typical applications, the two yokes are extended to form shafts, with their center lines each also passing through the center point of the cross. The universal joint then enables rotary motion to be transmitted from one shaft to the other, while the angle between the shafts can be varied. In Figure 6d, the shafts are shown running through holes in an external frame, so that they are free to rotate, but the angle between them is fixed.

¹We employ diagrams constructed using CAD tools designed for LEGO parts to illustrate the workings of the various mechanisms. However, these explanatory diagrams do not in general correspond to fully functional physical LEGO constructions. Some involve non-existent parts, or unrealistic connections between parts. On the other hand, the instructions in the appendix are for a complete fully working LEGO model.

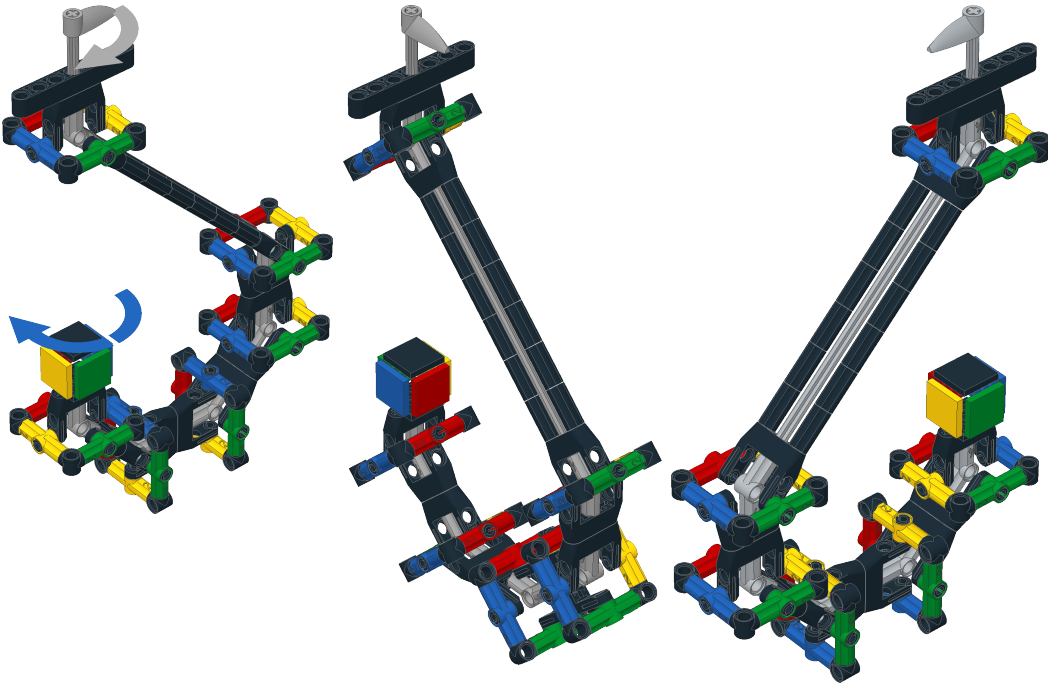
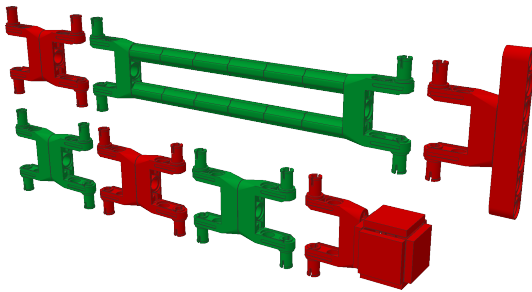
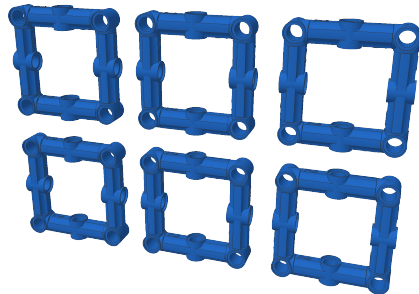


FIGURE 4. Three snapshots of the motion: the control shaft performs two quarter turns clockwise causing the cube to perform two half turns clockwise.



a. Flat units



b. Rings



c. Core

FIGURE 5. The rigid components.

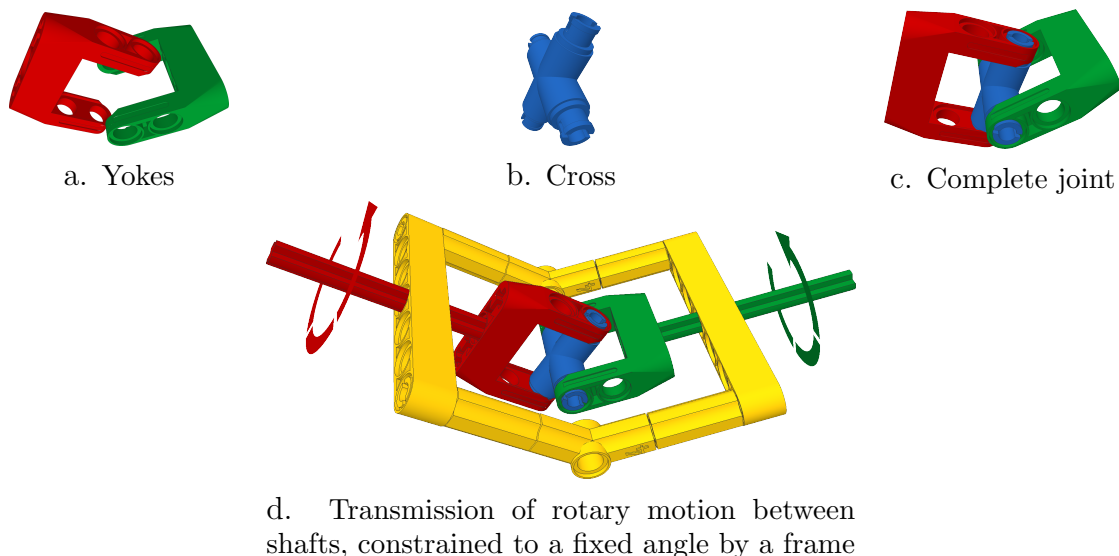


FIGURE 6. A conventional universal joint.

The universal joint was analysed by Robert Hooke in the 17th century. We note in passing that it is not a constant-velocity joint. That is to say, if the angle between the shafts is non-trivial, then rotating one shaft at a uniform speed results in a non-uniform rotation of the other. However, if two universal joints are joined by an intermediate shaft then the non-uniformity is cancelled out, provided the two joints form equal angles, and their relative phases are chosen appropriately. This configuration is known as a double Cardan joint.

The key ingredient of our mechanism is an inside-out version of a universal joint, shown in Figure 7. Here the cross is replaced by a ring (Figure 7b) located *outside* the two yokes, rather than inside, but still connected to them via pivots with the same axes as before. This does not change the essential mechanics, but permits new possibilities for adjacent structures by freeing up space at the center. In particular, we introduce a central rigid core as shown in Figure 7d, consisting of a shaft with a bend at the center, which is situated so that the two ends pass through holes in the two yokes. This allows the yokes to rotate around the two shafts (Figure 7e), with rotation transmitted from one yoke to the other as before. The core plays precisely the same role as the frame in Figure 6d.

In our implementation the shafts fit snugly in the holes, and the core is equipped with a collar at its center that is wider than the shafts. The collar cannot fit through the holes in the yokes, but abuts them. Consequently the shafts cannot slide in the axial direction through the holes, and the motion of the mechanism has exactly one degree of freedom.

Now consider two inside-out universal joints joined together as in Figure 8. We fuse together one yoke from each joint to form a single rigid body, and we fuse the two cores to make a single rigid shaft containing two bends (each 45° in this case). The resulting mechanism has 5 rigid components, and its motion has one degree of freedom. The yokes and rings roll around the core together. One can view it as a method of

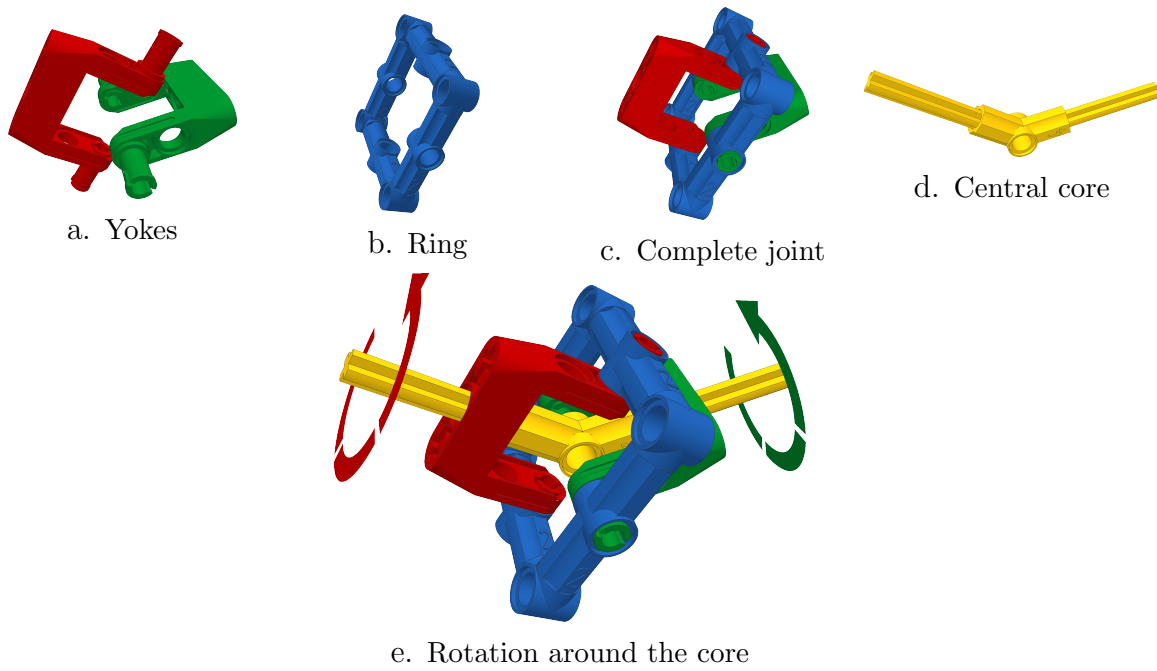


FIGURE 7. The inside-out universal joint.

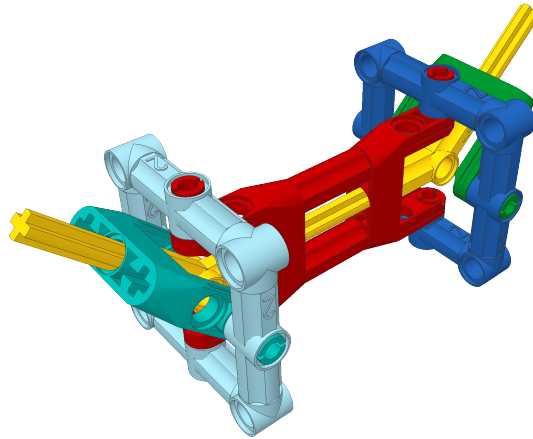


FIGURE 8. Two inside-out universal joints connected.

transferring rotary motion around two bends, between the two outer yokes. Since the two bends have equal angles and the two fused yokes are aligned in the manner shown, with their pivot axes parallel, it amounts to a constant-velocity joint.

Our mechanism now simply consists of six inside-out universal joints connected sequentially in the same manner as above. Each bend angle is 45° , and all the shafts lie in one plane, with directions and lengths chosen so that they form the hook-shaped core shown in Figure 7d – shown also in Figure 9 in a planar view without perspective. The two straight shafts at the ends of the hook are segments of the same line, and point in the same direction. Since the number of joints is even, and they are oriented in



FIGURE 9. The core.

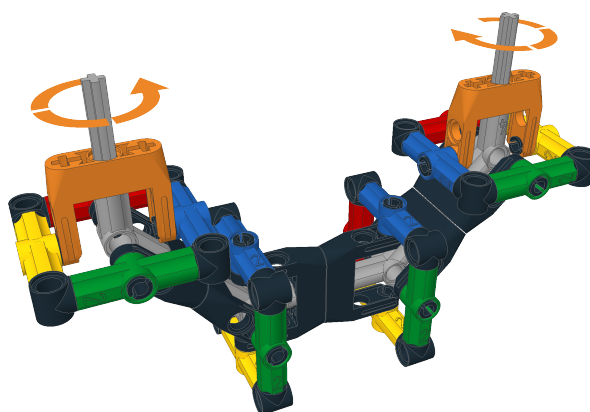


FIGURE 10. Motion of the lower section.

the same manner as in Figure 8, the entire mechanism functions as a constant-velocity joint.

4. UNDERSTANDING THE MOTION

It is helpful to think of the arm in two sections: the lower part which is roughly semicircular, and the upper part which is primarily straight with two shorter parallel appendages. The motion of each section individually is relatively easy to understand.

If the core of the lower section is held fixed, the joints roll around the core like (half of) a smoke ring. Hence the yokes at the two ends spin in opposite directions as shown in Figure 10. If the core of the upper section is held fixed, the two end yokes spin in the same direction as shown in Figure 11a, maintaining the same orientation as each other in a similar manner to a parallelogram linkage. Alternatively, we can hold the orientations of the two end yokes constant and swing them around each other as in Figure 11b.

The motion of the entire linkage results from combining the motions of the two sections. If the core is held fixed, the two ends (which are attached to the frame and the cube) spin in opposite directions, at the same speed, as in Figure 12 – also see the end of the video [4]. Because of the constant-velocity property, both rotations are

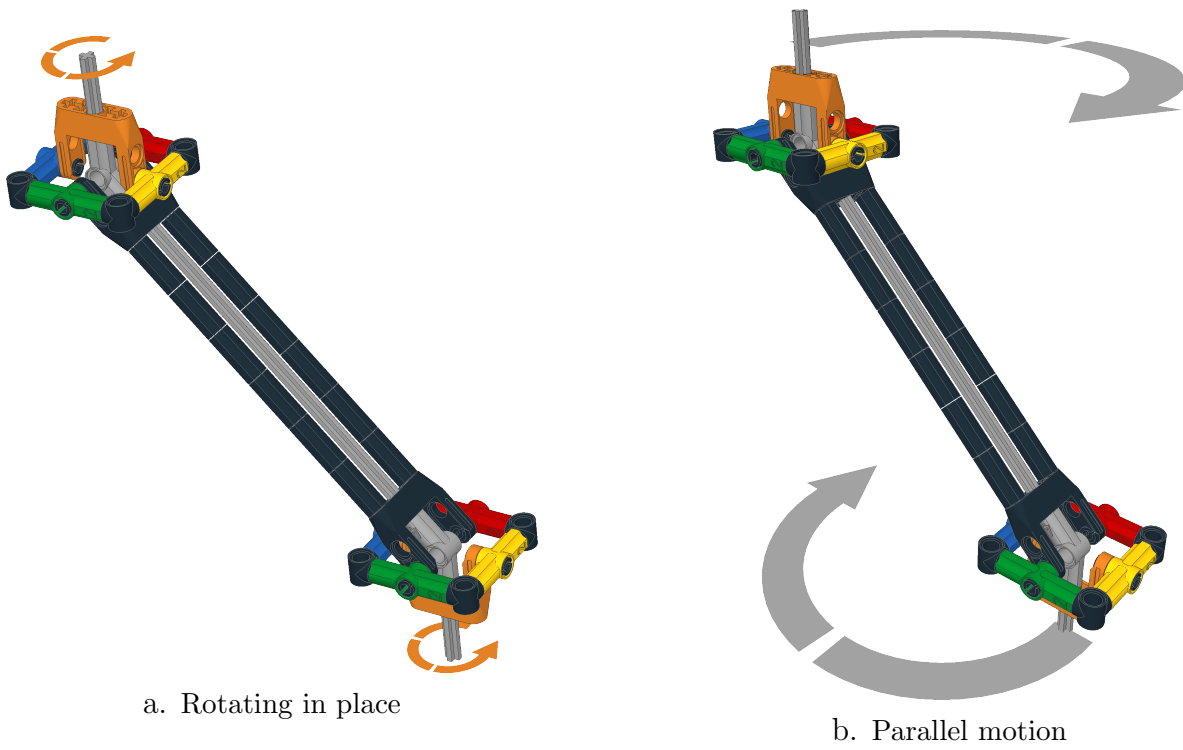


FIGURE 11. Motion of the upper section.

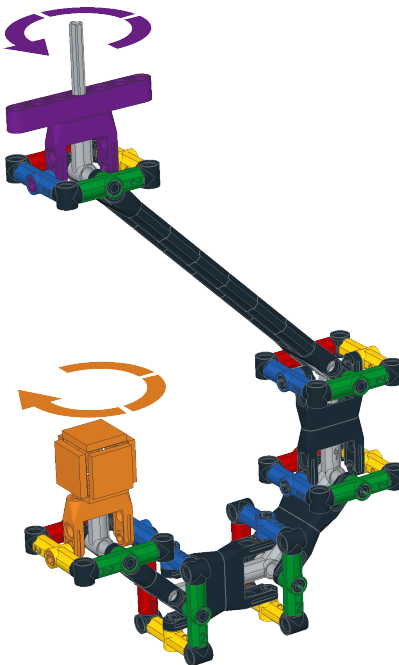


FIGURE 12. Motion with the core held fixed.

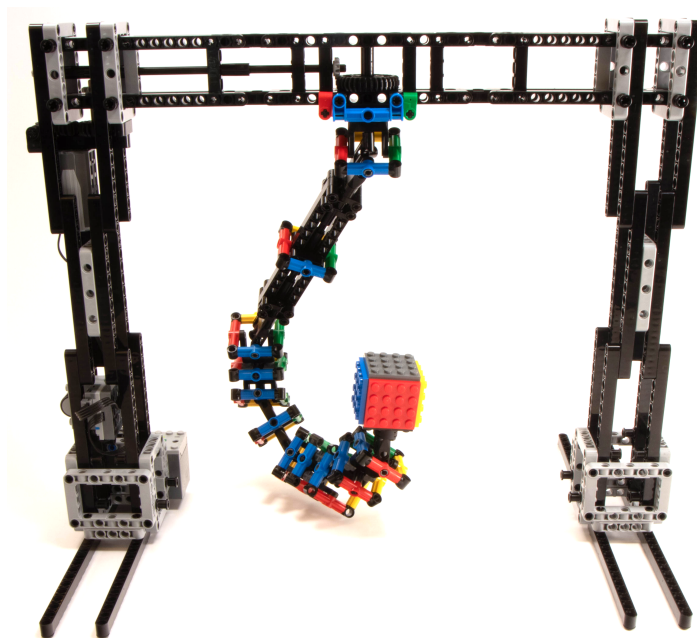


FIGURE 13. Embellishment with further rings.

uniform. Finally, spinning the entire structure at the same time results in the motion observed: the frame is stationary, while the cube spins at twice the control shaft's speed, in the same direction. It is interesting that this 2 : 1 ratio is achieved without gearing of any kind.

5. VARIANTS

We mention several variations of possible expository and artistic merit.

- (1) As a purely visual embellishment, we can affix to each of the flat units of Figure 5a a ring of the same shape and color scheme as those in Figure 5b. See Figure 13 for a LEGO implementation. This makes the essential similarity of the 13 units more apparent, and highlights the pivoting relative motion of each consecutive pair. On the other hand it becomes harder to see the underlying mechanism.
- (2) Two copies of the mechanism can be combined in an extended S-shape as in Figure 14. The core continues through a hole in the central cube as one rigid piece, emerging at the top and bottom. The mechanism is controlled by rotating the core around a vertical axis while holding the top and bottom segments of the arm fixed.
- (3) As indicated earlier, a string or cord can be attached along the outside of the arm, and tied off to the cube and the fixed frame at its two ends. In order to minimize changes in length (which tend to lead to resistance or tangles), it is suggested to thread the string diagonally between counter-pivoting corners on the short sections, and parallel along the long straight section, as shown in Figure 15. (This results in the cord spiralling around the curved section of the arm).

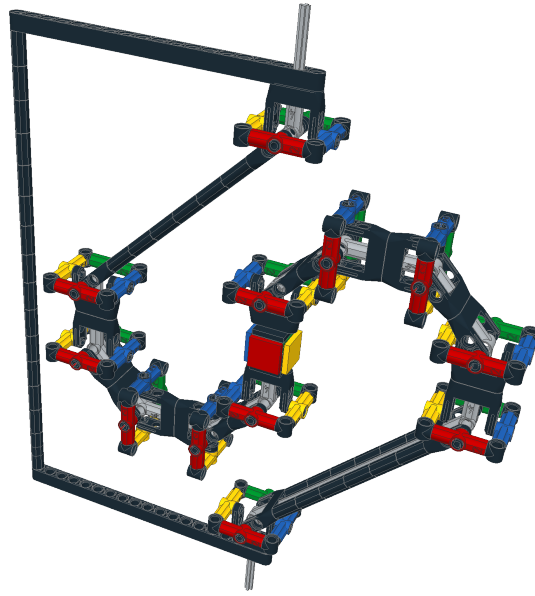


FIGURE 14. Double version.

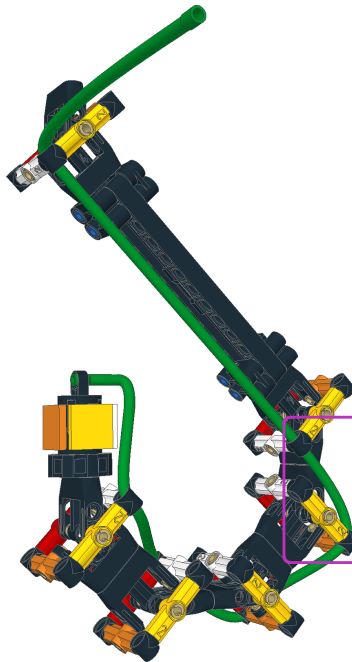


FIGURE 15. Attaching a string.

- (4) Extending the cord idea, since the control shaft is internal, the entire arm could be enclosed in a flexible tube running along its length, perhaps made of plastic, or perhaps crocheted or knitted.
- (5) The device can be used an anti-twist mechanism. The cord described above can be replaced with wires or tubes, allowing electricity or fluid to be carried to a

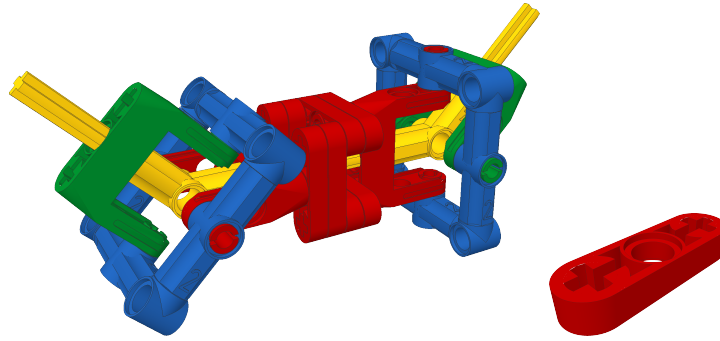


FIGURE 16. Offsetting the joints. (The relevant additional LEGO part is shown on the right.)

spinning object without the need for rotating contacts or seals. Thus one could for instance add lights or water jets to the cube. The practical applications of such anti-twist mechanisms seem limited, because it is impossible to access the spinning object continuously from any fixed direction: the arm always gets in the way. Adams' device [1] seems to suffer from the same difficulty. It would be interesting to investigate this issue further.

- (6) Each consecutive pair of joints may be offset at a 90° angle around the core, as shown in Figure 16. Instead of producing the constant-velocity motion, this will have the opposite effect. The non-uniformity resulting from universal joints will build up successively along the length of the arm. When the control shaft is rotated uniformly, the cube should advance in sudden spurts (akin to the *spotting* head movement technique employed by dancers).

See the YouTube channel of the author at [4] for versions of (1), (2), (3) and (5).

6. OPEN PROBLEMS

We suggest the following avenues for further investigation.

- (1) We can generalize as follows. Consider a linkage consisting of a sequence of $n+1$ rigid bodies connected by n hinge joints. Suppose that the n th hinge joint is constrained to permit motion through a closed interval of angles of length α_i . In our example, $n = 12$ and $\alpha_i = \pi/2 = 90^\circ$ for each i . For which n and $\alpha_1, \dots, \alpha_n$ does there exist such a linkage with the property that if the rigid body at one end is held fixed, then the orientation of the body at the other end can be varied continuously so as to execute endless uniform spinning around a fixed axis?

There are many variations. How does the answer change if the spinning is allowed to pause or go backwards during the motion, as long as it continues to advance in the long run? How does the answer change if the end body is not allowed to undergo translation perpendicular to the axis around which it spins? Similarly, what if translation along the axis is also forbidden (as is the case for our mechanism)? Do any answers change if the rigid bodies are allowed to pass through each other?

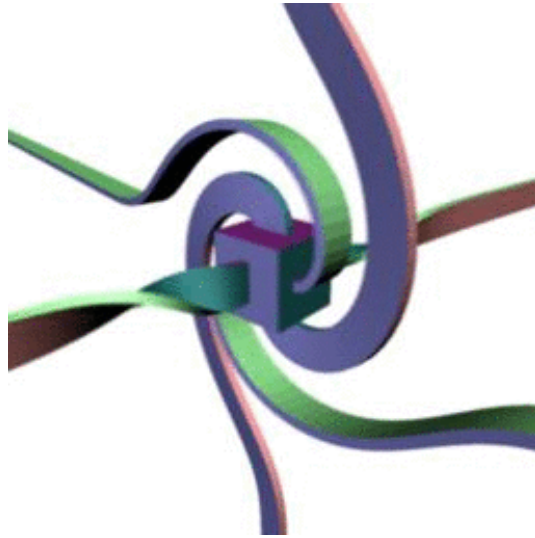


FIGURE 17. Belts in six directions; image by Jason Hise.

These questions are relevant to human performances of the plate trick or candle dance. They can also be interpreted in the context of mechanical robot arms like the one proposed in this article, in which case control mechanisms are also of interest.

Here is a purely algebraic formulation of the version of the question in which we permit arbitrary translations and pass-through, but the spinning is required to be monotone and without pauses. Let $S = \{a + b\mathbf{i} + c\mathbf{j} + d\mathbf{k} : a^2 + b^2 + c^2 + d^2 = 1\}$ be the sphere of unit quaternions. Let $\rho(\theta) = \cos(\theta/2) + \mathbf{i}\sin(\theta/2) \in S$, which maps to a rotation by angle θ about a fixed axis under the double cover from S to $SO(3)$. For which n and which $\alpha_1, \dots, \alpha_n \in [0, 4\pi]$ do there exist $\kappa_1, \dots, \kappa_n \in S$ and continuous functions $\theta_i : [0, 4\pi] \rightarrow [0, \alpha_i]$ satisfying $\theta_i(0) = \theta_i(4\pi)$ for each i , for which

$$\rho(\theta_1(t))\kappa_1 \cdots \rho(\theta_n(t))\kappa_n = \rho(t) \quad \forall t \in [0, 4\pi]?$$

(Here, the κ_i represent the relationships between successive hinge joint axes, and the θ_i represent their equations of motion.)

More specifically, for each n , what is the minimum (or infimum) $\alpha = \alpha(n)$ such that we can take $\alpha_i = \alpha$ for all i ? Clearly $\alpha(1) = 4\pi$, while the mechanism of this article shows that $\alpha(12) \leq \pi/2$.

Somewhat related questions are considered in [7].

- (2) Formulate and prove (or disprove) a precise version of “the impracticality of anti-twist mechanisms”. Roughly: if a continuously spinning object is tethered to the ground, then any ray emanating from the object and pointing in a fixed direction must at some point intersect the tether.
- (3) A beautiful animation by Jason Hise (see Figure 17 and [3]) shows a spinning cube tethered by belts attached to all six faces, rather than just the two in Figure 14, with the belts neither twisting up nor intersecting one another. (In fact,

arbitrarily many belts in arbitrary directions are possible – see Hise’s YouTube channel [3] for more). Can all six belts be emulated by mechanical linkages?

Acknowledgements. This project was conceived at the 2019 Illustrating Mathematics programme at The Institute for Computational and Experimental Research in Mathematics (ICERM), inspired by a beautiful lecture series by Richard Schwartz of Brown University. I thank Richard Schwartz, ICERM, and the organizers.

REFERENCES

- [1] D. A. Adams. Apparatus for providing energy communicating between a moving and a stationary terminal. United States Patent US 3586413, 1971.
- [2] A. J. Hanson. Visualizing quaternions. In *ACM SIGGRAPH 2005 Courses*, pages 1–es. 2005.
- [3] J. Hise. Belt trick. https://www.youtube.com/watch?v=JaIR-cWk_-o.
- [4] A. E. Holroyd. Spinor linkage. <https://www.youtube.com/watch?v=oRPCoEq05Zk>.
- [5] A. E. Holroyd. Spinor linkage instructions. <https://rebrickable.com/mocs/MOC-50050/aeh5040/spinor-linkage/>.
- [6] M. H. A. Newman. On a string problem of Dirac. *Journal of the London Mathematical Society*, s1-17(3):173–177, 1942.
- [7] D. Pengelley and D. Ramras. How efficiently can one untangle a double-twist? waving is believing! *The Mathematical Intelligencer*, 39:27–40, 2017.
- [8] R. Penrose and W. Rindler. *Spinors and space-time: Volume 1, Two-spinor calculus and relativistic fields*, volume 1. Cambridge University Press, 1984.
- [9] M. Staley. Understanding quaternions and the Dirac belt trick. *European journal of physics*, 31(3):467, 2010.

SCHOOL OF MATHEMATICS, UNIVERSITY OF BRISTOL, U.K.

Email address: a.e.holroyd@bristol.ac.uk

APPENDIX: THE LEGO MODEL

We provide full instructions for constructing a working model of the spinor linkage from LEGO parts. The list of required parts (with identification numbers) is given first, followed by pictorial building instructions. These materials, and most of the images in the article, were generated using the rich ecosystem of free third-party applications generously written and maintained by the community of LEGO enthusiasts: principally LDraw, MLCad, LDView and LPub, and rebrickable.com for the parts list.


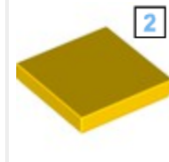
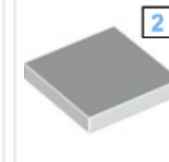
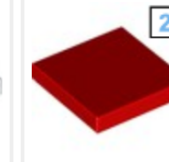
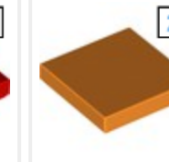





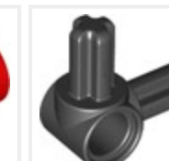


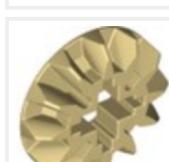






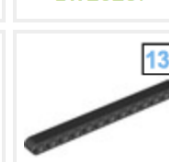


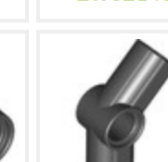







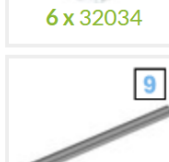
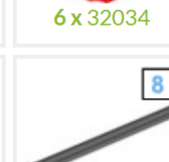
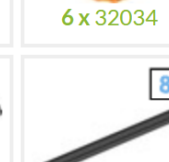


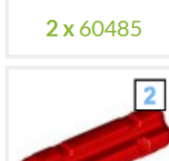

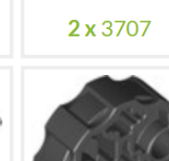


Various approaches are available for acquiring the LEGO parts, with trade-offs between cost and convenience. The excellent specialist marketplaces <http://bricklink.com> and <http://brickowl.com> currently constitute the mainstay of the market for specific parts. Applications and features are available for maintaining and fulfilling lists of parts, including partially automated tools for sourcing parts from multiple sellers. New LEGO sets and second-hand lots can be economical routes to acquiring less targeted collections of parts. There is plentiful advice online about the process. Details are likely to evolve over time.

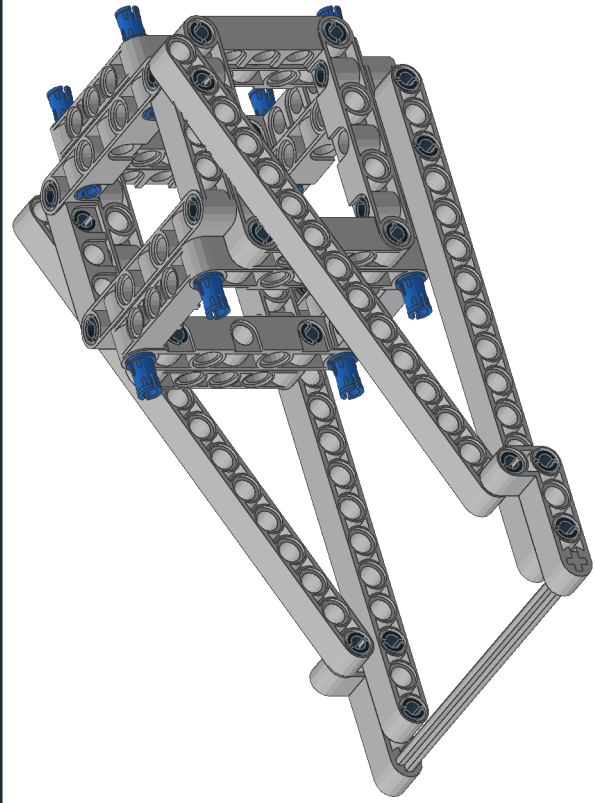
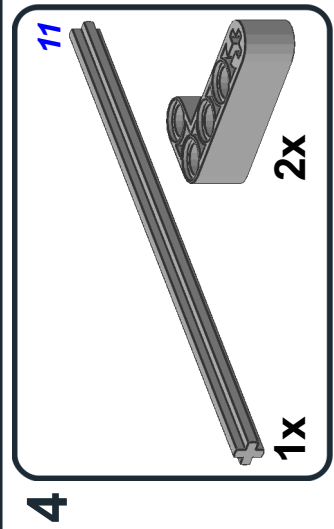
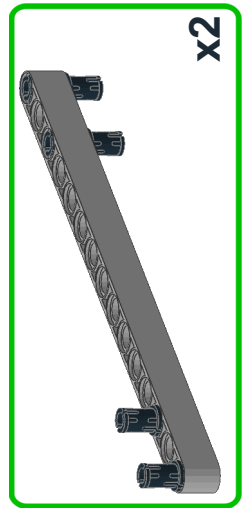
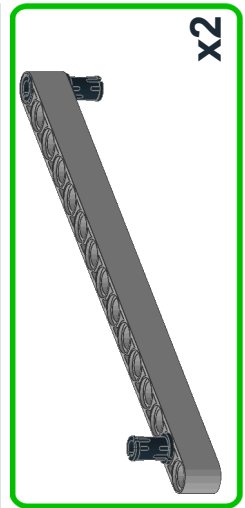
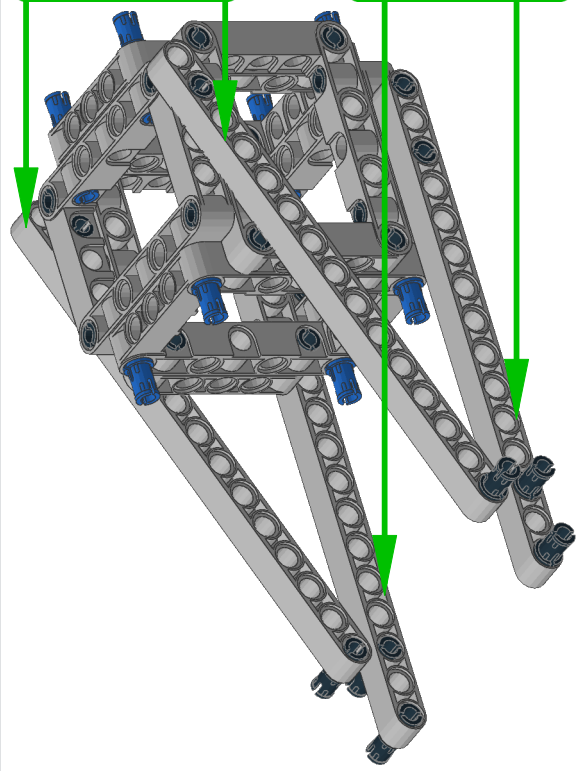
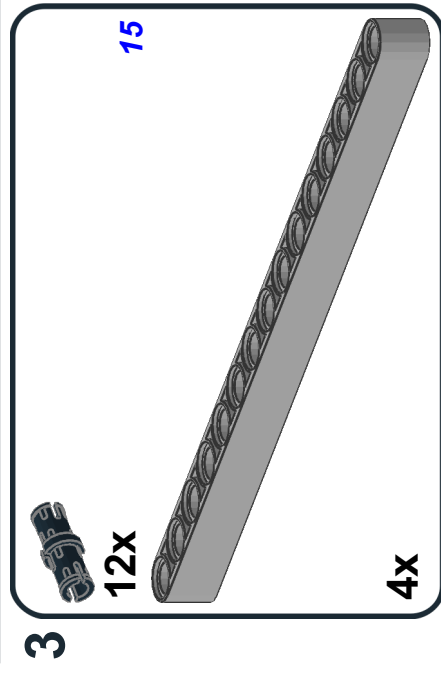
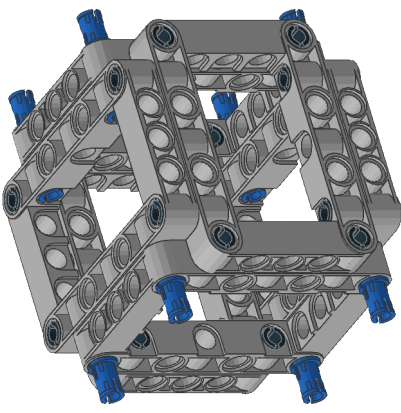
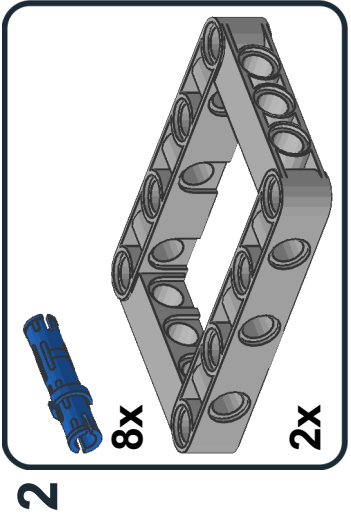
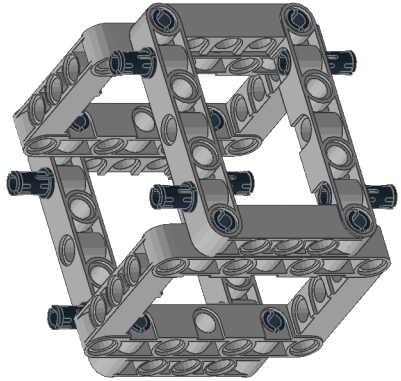
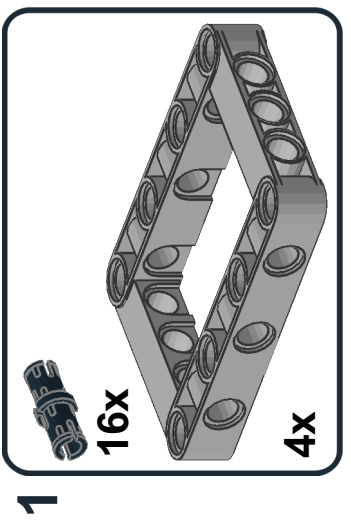
The website <http://rebrickable.com> is a highly recommended starting point linking many relevant resources. The rebrickable page for this model, including the parts list, is essentially a one-stop solution [5]:

<http://rebrickable.com/mocs/MOC-50050/ah5040/spinor-linkage/>

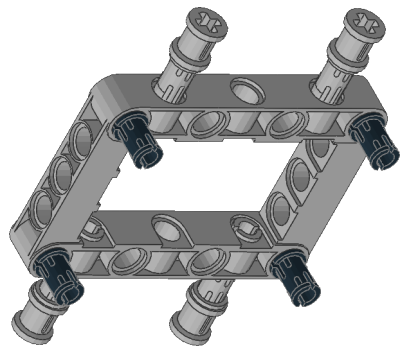
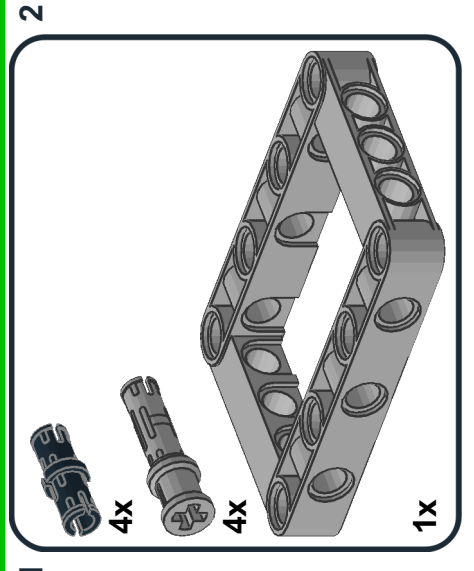
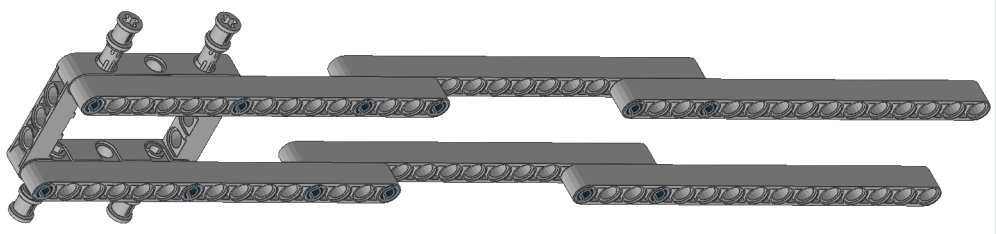
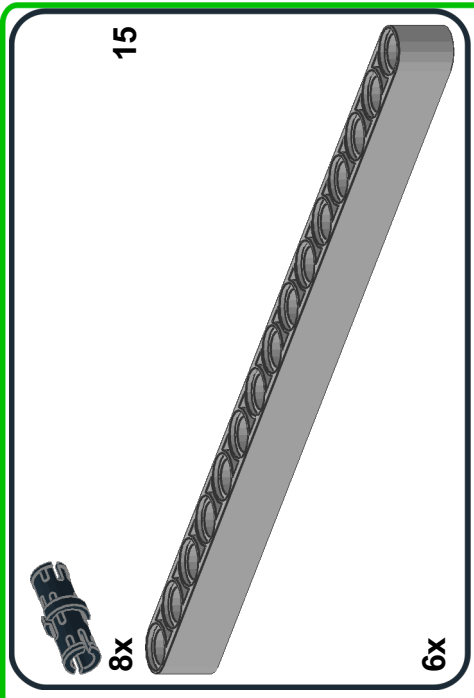
The colour scheme was chosen in order to balance elegance and clarity with availability of parts (which affects cost). Of course, one can choose different colours. In particular, availability of colours is likely to change over time – it is worth investigating colour substitutions if costs seem unduly high. One also has a choice between new and used parts, with a corresponding trade-off between quality and cost.

Parts list (generated using rebrickable.com)

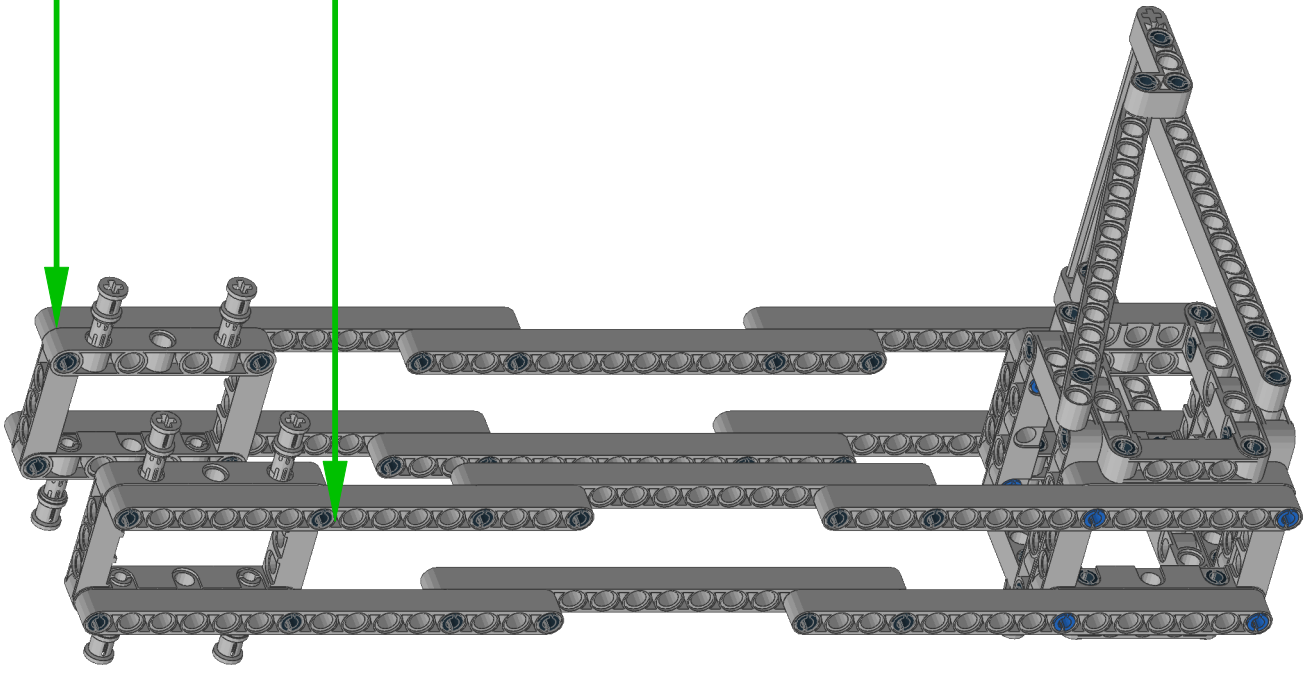
 1 x 74698	 1 x 3068b	 1 x 3068b	 1 x 3068b	 1 x 3068b	 56 x 2780
 32 x 6558	 8 x 32054	 12 x 87408	 1 x 62462	 24 x 10197	 24 x 32002
 1 x 32498	 1 x 6589	 1 x 26287	 11 x 64179	 1 x 33299a	 2 x 32140
 21 x 32278	 4 x 41239	 2 x 41239	 4 x 41678	 4 x 32291	 6 x 32192
 6 x 32034	 6 x 32034	 6 x 32034	 6 x 32034	 1 x 3749	 2 x 43093
 2 x 59443	 2 x 60485	 1 x 55013	 2 x 3707	 1 x 44294	 4 x 3705
 4 x 4519	 11 x 32062	 1 x 23948	 1 x 98585	 4 x 26604	 1 x 3941

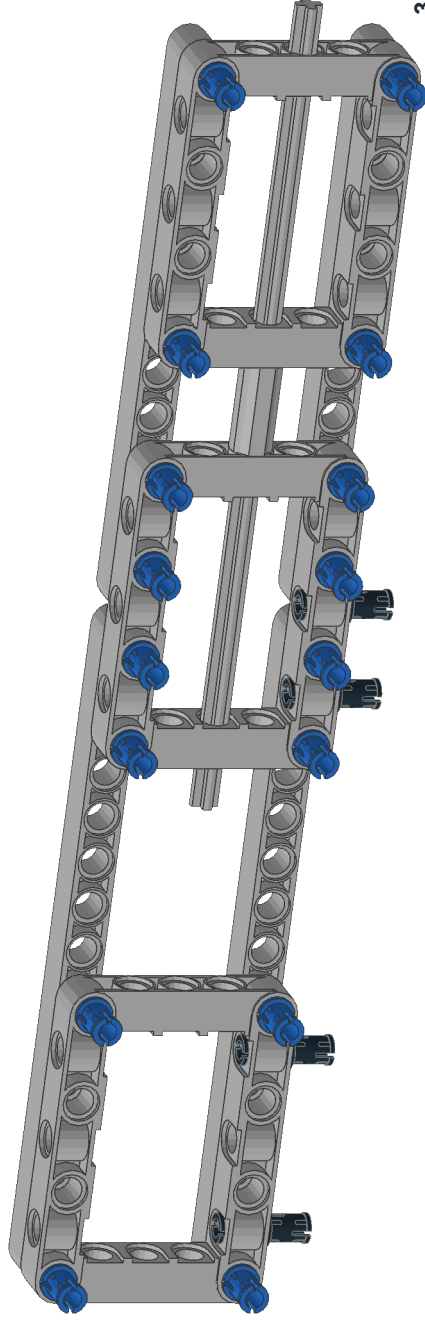
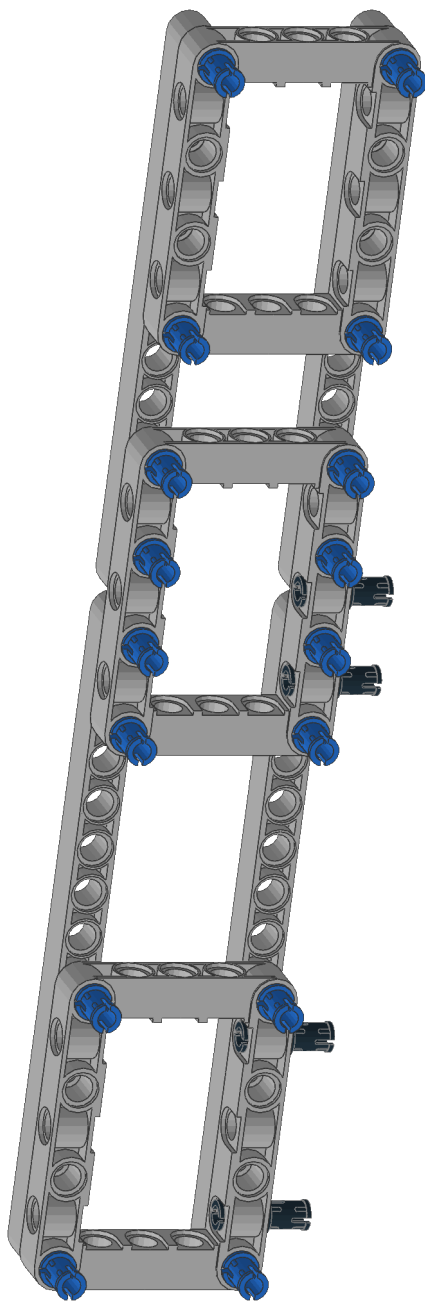
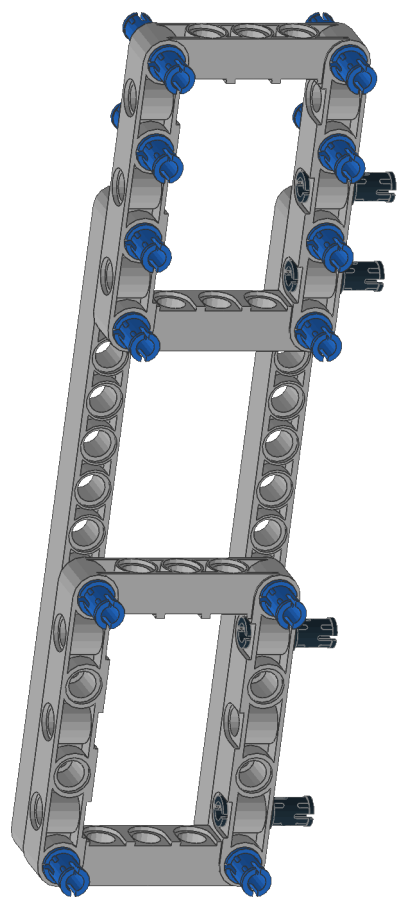
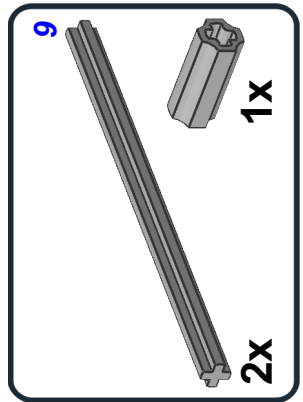
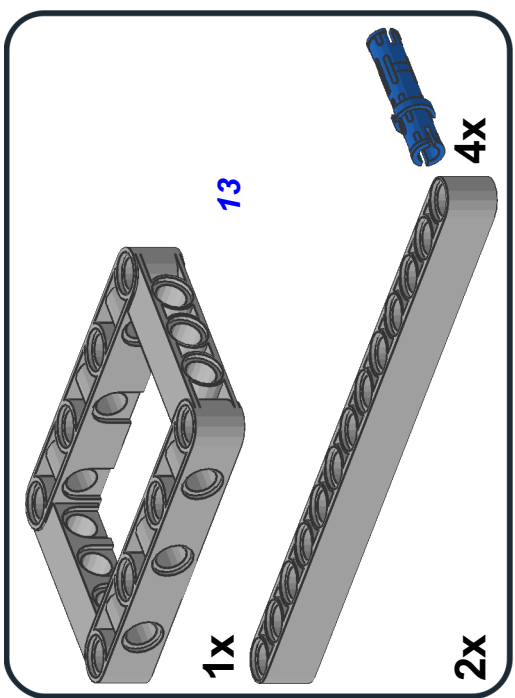
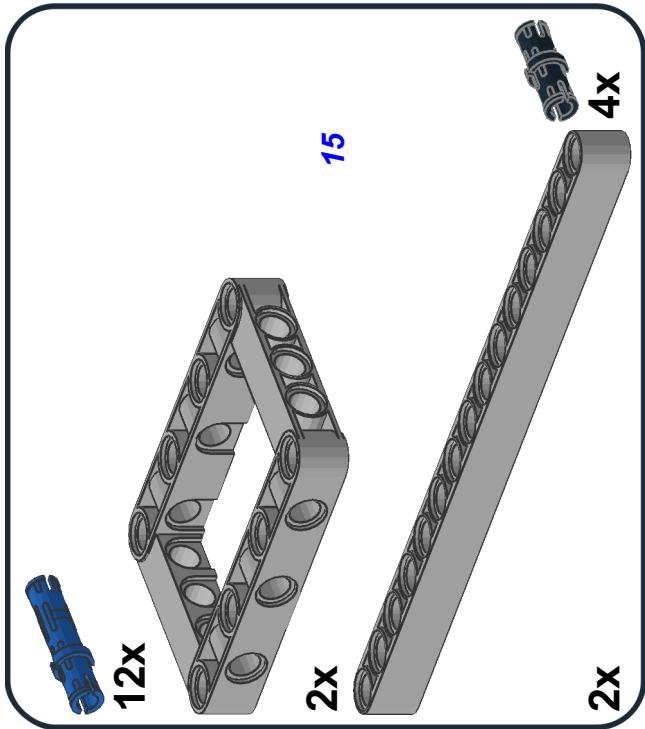


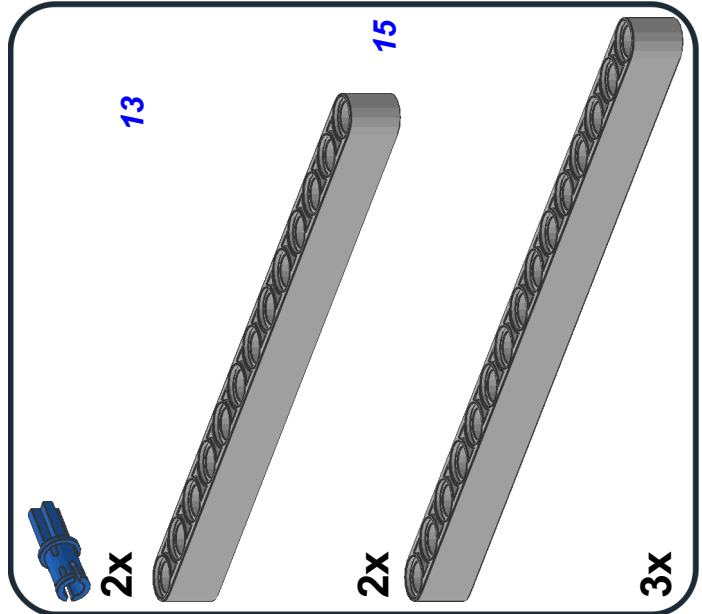
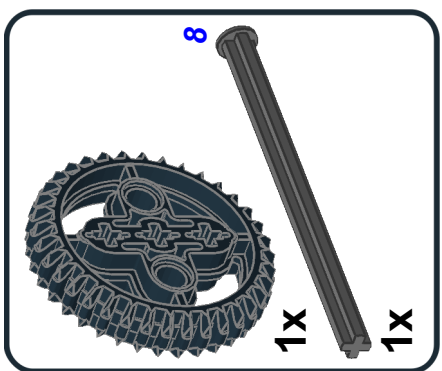
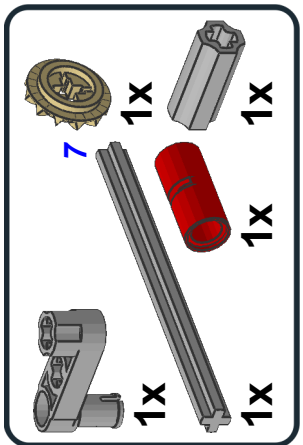
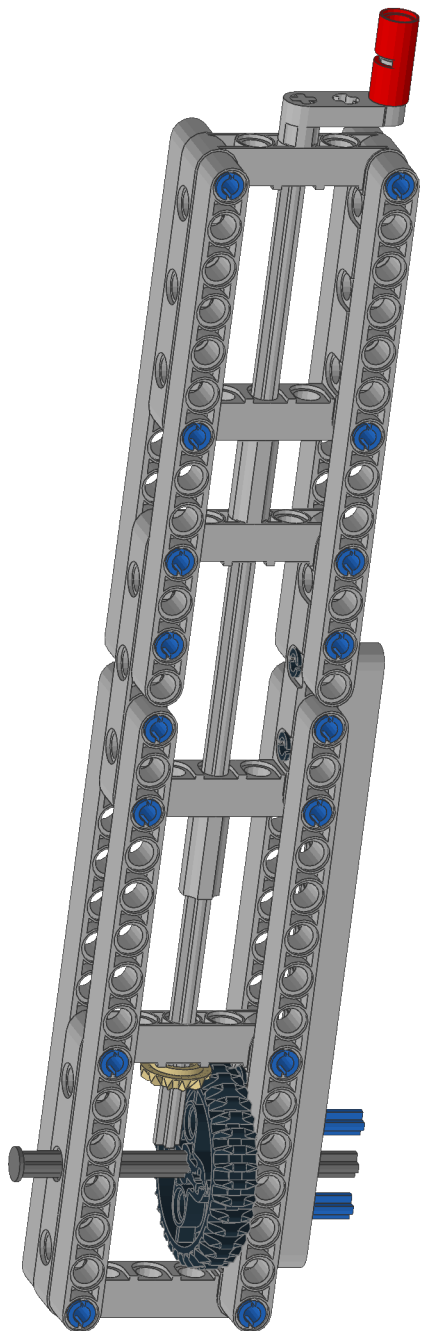
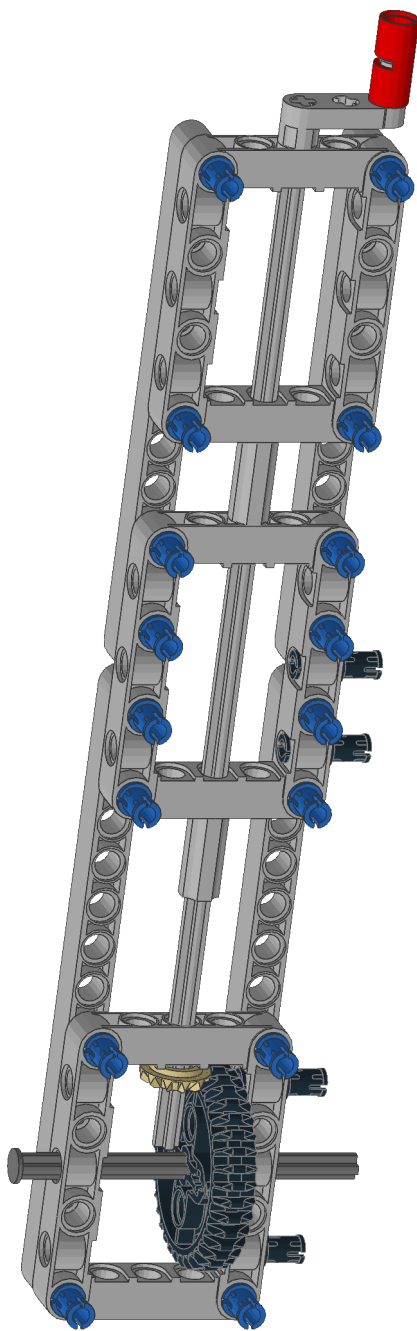
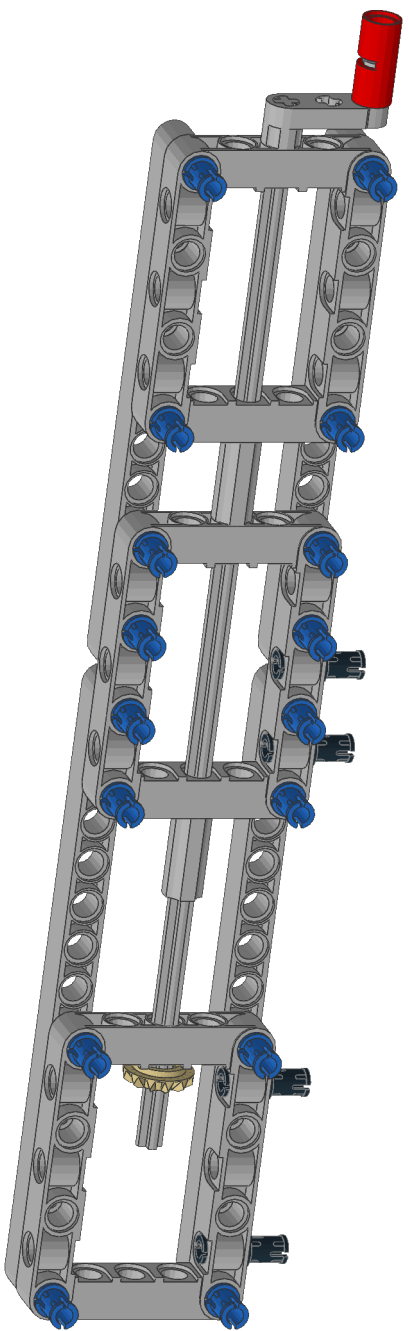
x2



1



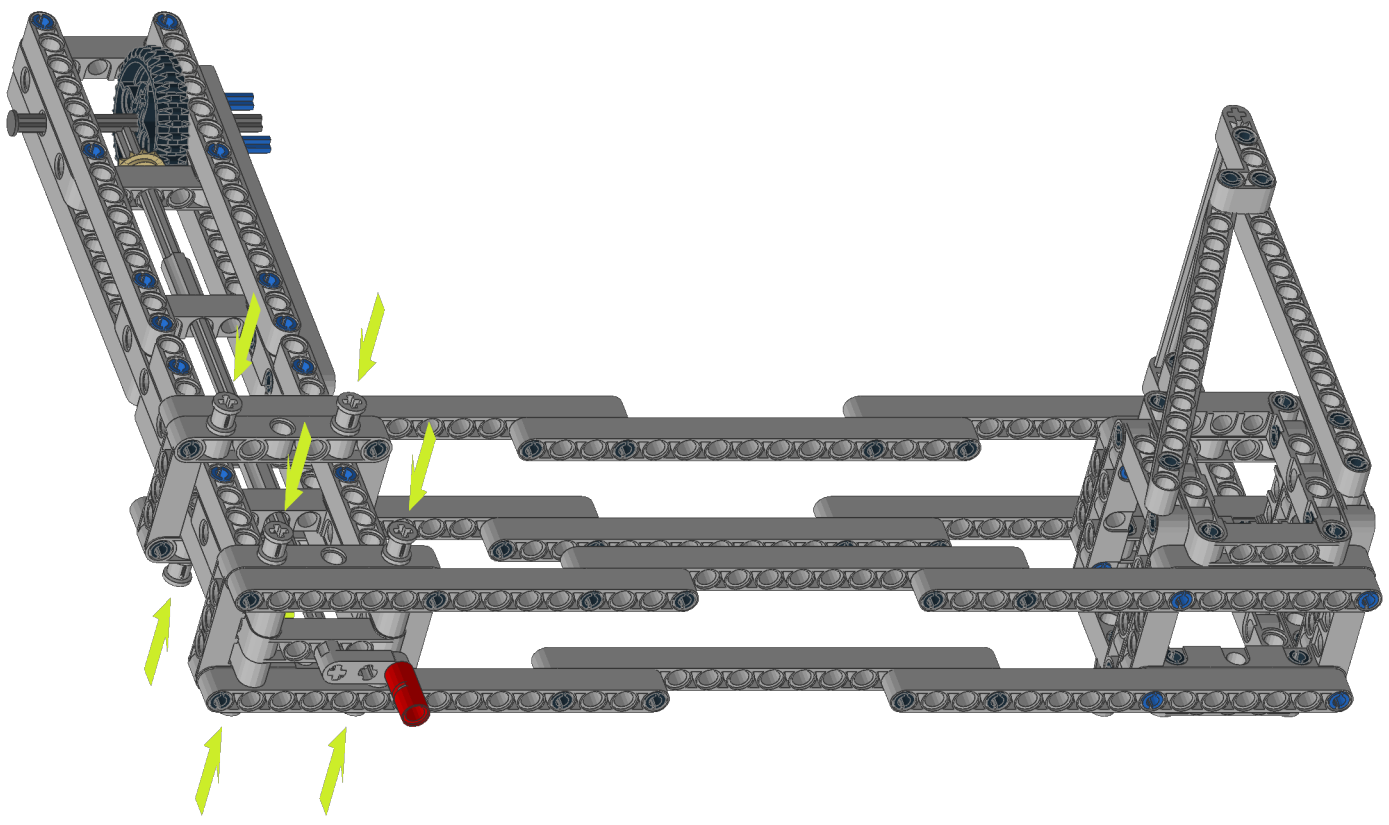


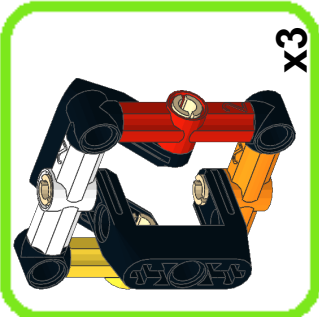


4

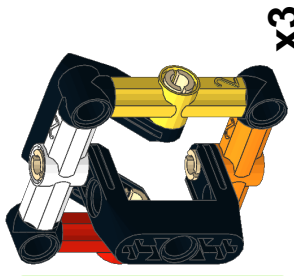
5

6

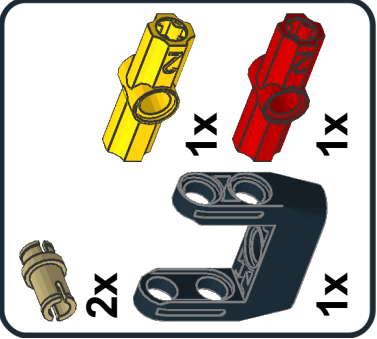




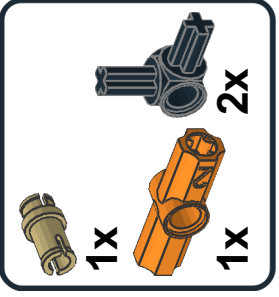
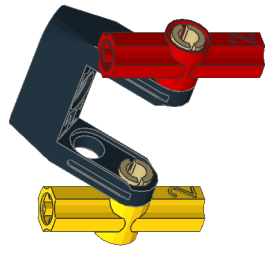
x3



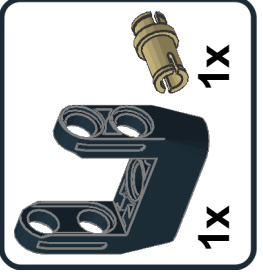
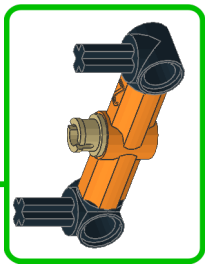
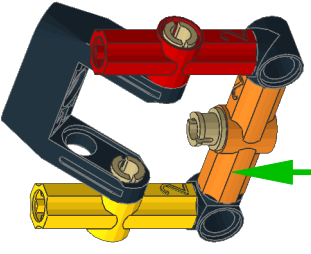
x3



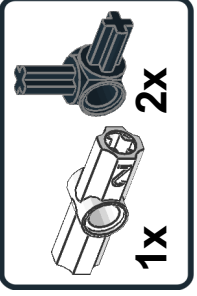
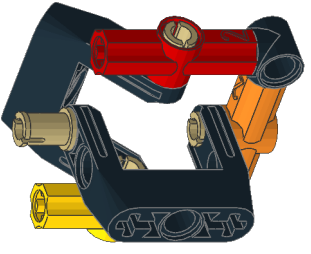
1



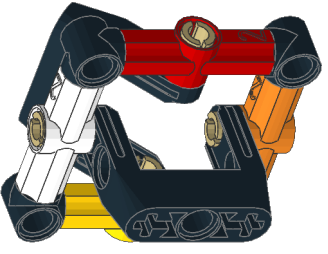
2

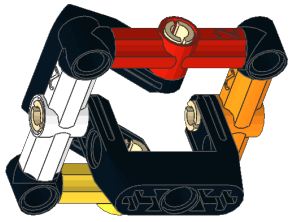


3

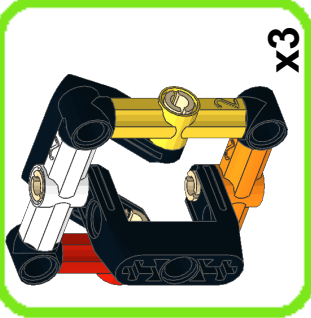


4

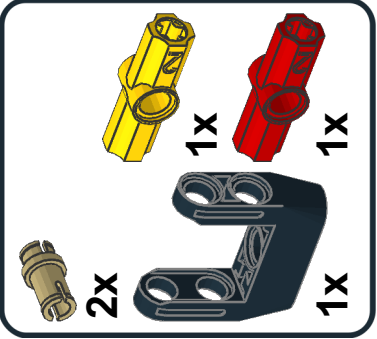




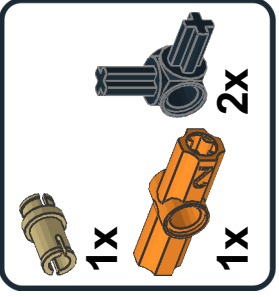
x3



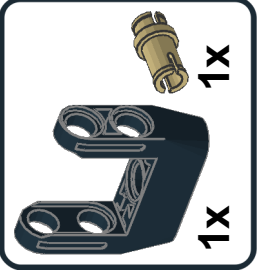
x3



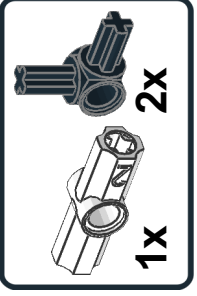
1



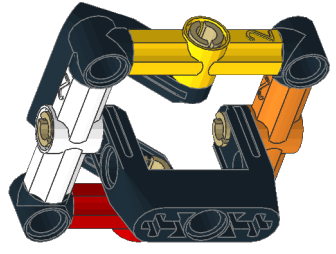
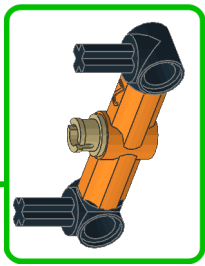
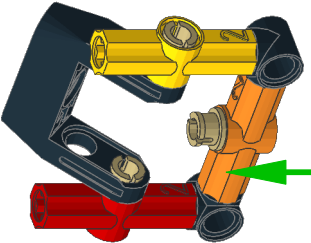
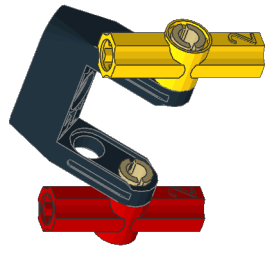
2

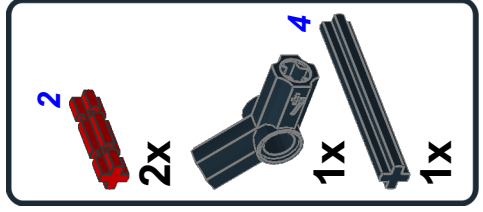
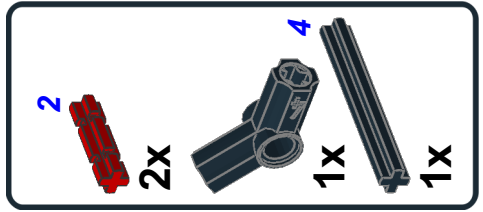
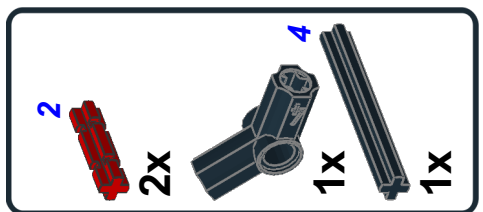
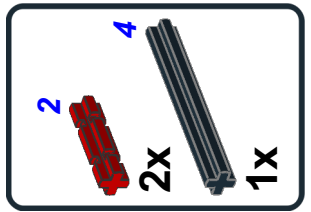
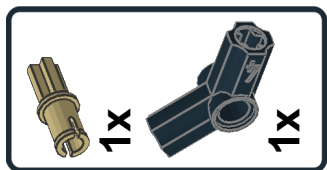


3



4





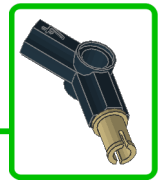
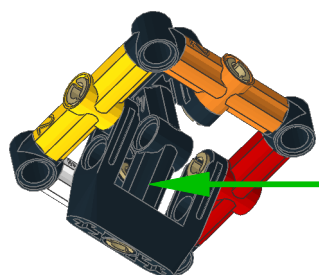
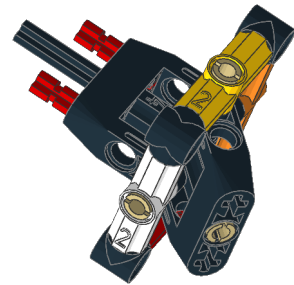
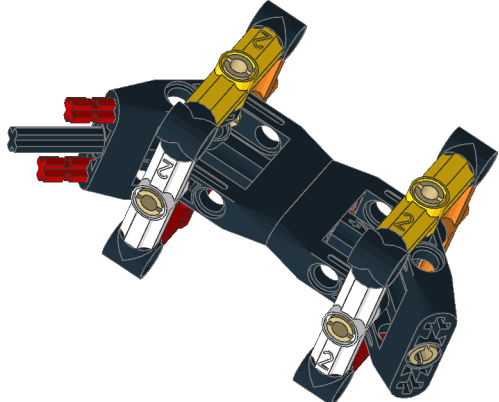
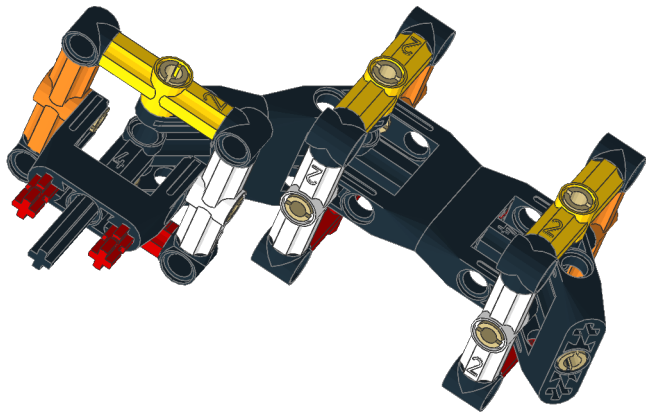
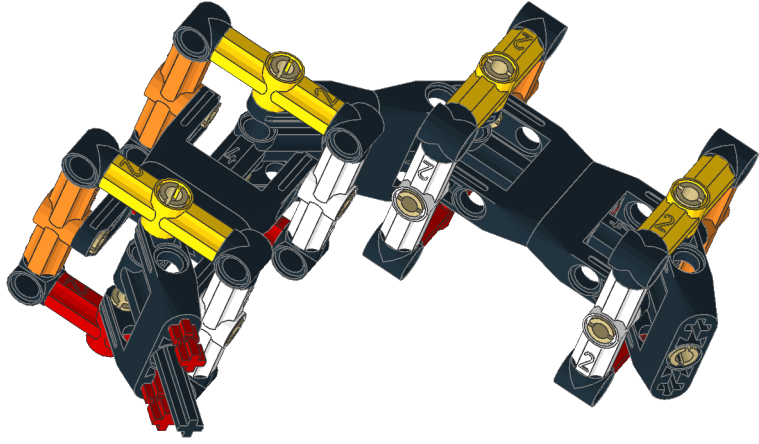
5

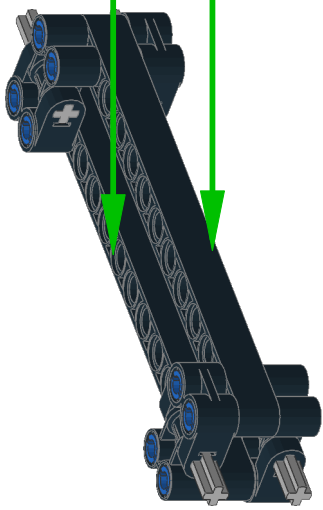
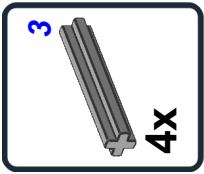
4

3

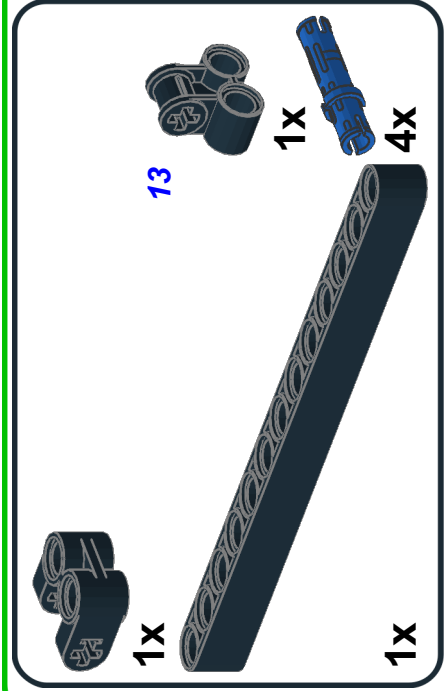
2

1

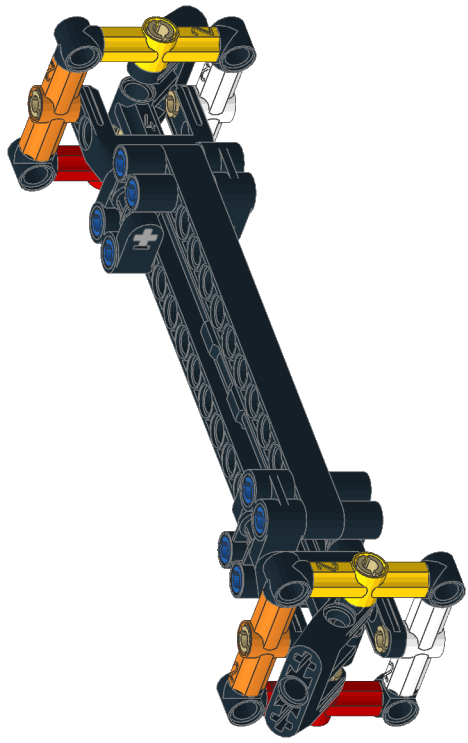
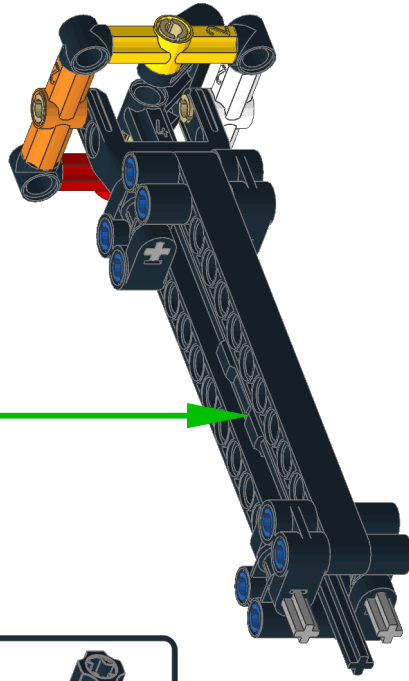
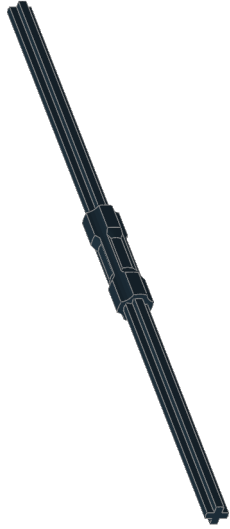
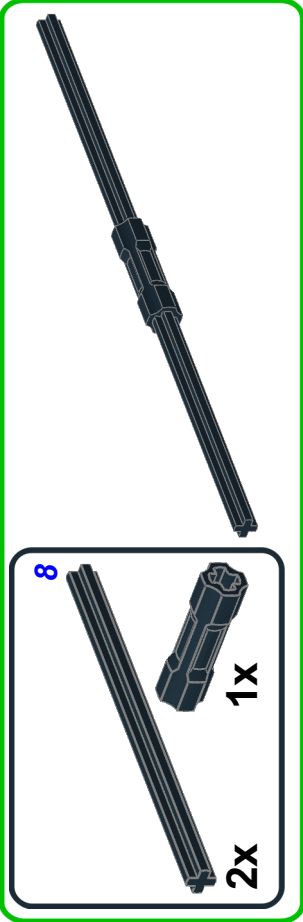
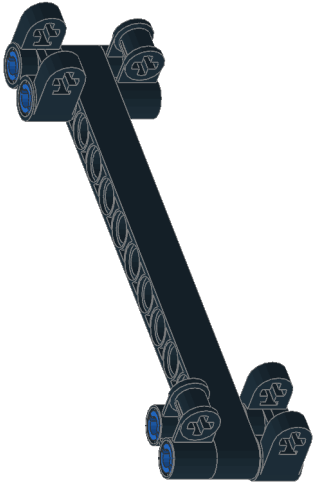
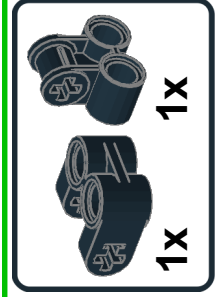


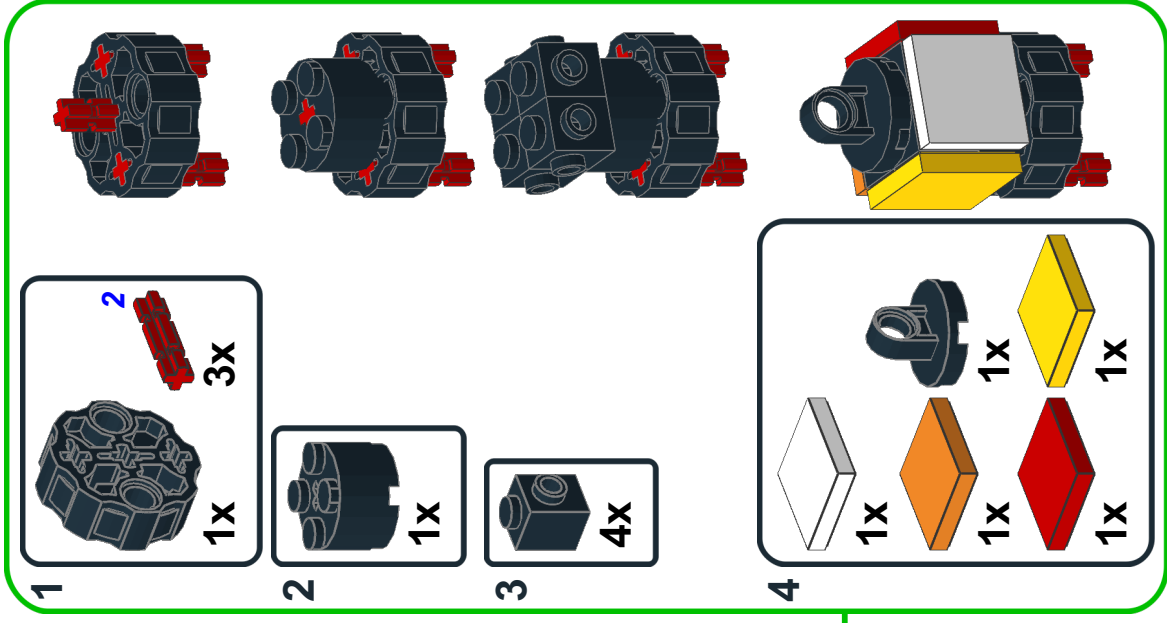


1



x2





1 1x 2 3x

2 1x

3 4x

4 1x 1x 1x 1x

Detailed description: This block contains the parts list for step 6. It is organized into four numbered sections. Section 1 shows a large grey Technic hub (1x) and three red Technic pins (2x). Section 2 shows a dark grey Technic bush (1x). Section 3 shows four dark grey Technic pins (4x). Section 4 shows a collection of six Technic plates: one white (1x), one orange (1x), one red (1x), one yellow (1x), and one dark grey (1x). A green arrow points from the bottom of this list towards the assembly diagram below.

