

HAUSDORFF DIMENSION OF CANTOR INTERSECTIONS AND ROBUST HETERODIMENSIONAL CYCLES FOR HETEROCHAOS HORSESHOE MAPS

YOSHITAKA SAIKI, HIROKI TAKAHASI, AND JAMES A. YORKE

ABSTRACT. As a model to provide a hands-on, elementary understanding of chaotic dynamics in dimension three, we introduce a C^2 -open set of diffeomorphisms of \mathbb{R}^3 having two horseshoes with different dimensions of instability. We prove that: the unstable set of one horseshoe and the stable set of the other are of Hausdorff dimension nearly 2 whose cross sections are Cantor sets; the intersection of the unstable and stable sets contains a fractal set of Hausdorff dimension nearly 1. As a corollary we detect C^2 -robust heterodimensional cycles. Our proof employs the theory of normally hyperbolic invariant manifolds and the thicknesses of Cantor sets.

1. INTRODUCTION

The fractal theory of hyperbolic sets (horseshoes) for surface diffeomorphisms is a well-developed topic, see for instance [15, 22, 28]. Fractal quantities such as the Hausdorff dimension and limit capacity, have been brought into the bifurcation theory of surface diffeomorphisms and played an important role. Newhouse [18] defined a non-negative quantity called the “thickness” of a Cantor set on the real line, in order to formulate conditions which guarantee that two Cantor sets intersect each other. These conditions have been applied to surface diffeomorphisms to show the robustness of tangencies between unstable and stable manifolds whose cross sections are Cantor sets [18, 19, 20, 21, 24]. For extensions of these results to higher dimensions, see [12, 23, 24, 25].

A fundamental property of surface diffeomorphisms is that all non-trivial hyperbolic sets have index one (the dimension of the unstable subbundle). In higher dimension, the situation is rather more complicated when hyperbolic sets have different indices and different horseshoes with different indices are cyclically related. The question of getting sufficient conditions for robust dynamical phenomena, including tangencies, heterodimensional cycles, is an active field of research.

The present paper aims to answer this sort of question on the Hausdorff dimension of heteroclinic intersections for certain intermingled horseshoes. We provide an elementary example of diffeomorphisms in dimension three that display a new type of robust fractal non-transverse intersection between unstable and stable manifolds. This example is a variation of the piecewise affine map F on the cube $[0, 1]^3$ in the Euclidean space $\mathbb{R}^3 = \{(x_u, x_c, x_s) : x_u, x_c, x_s \in \mathbb{R}\}$ introduced in [26], as a

2020 *Mathematics Subject Classification.* 37C29, 37C45, 37G25.

Keywords: horseshoe map, Cantor sets, thickness, Hausdorff dimension, heterodimensional cycles.

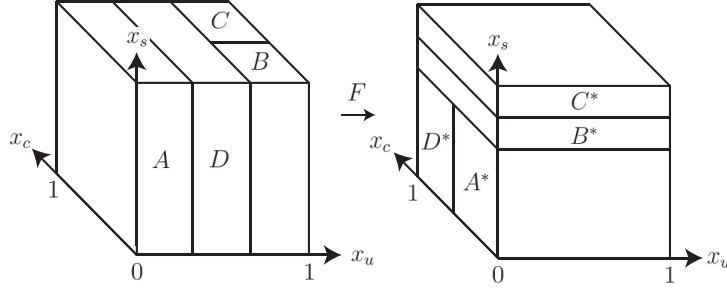


FIGURE 1. The piecewise affine map F . $A^* = F(A)$, $B^* = F(B)$, $C^* = F(C)$, $D^* = F(D)$.

model to provide a hands-on, elementary understanding of complicated dynamics in dimension three. Define $h: [0, 1] \rightarrow [0, 1]$ by $h(x) = 3x \bmod 1$ for $x \in [0, 1)$ and $h(1) = 1$. The map $F: [0, 1]^3 \rightarrow [0, 1]^3$ is given by

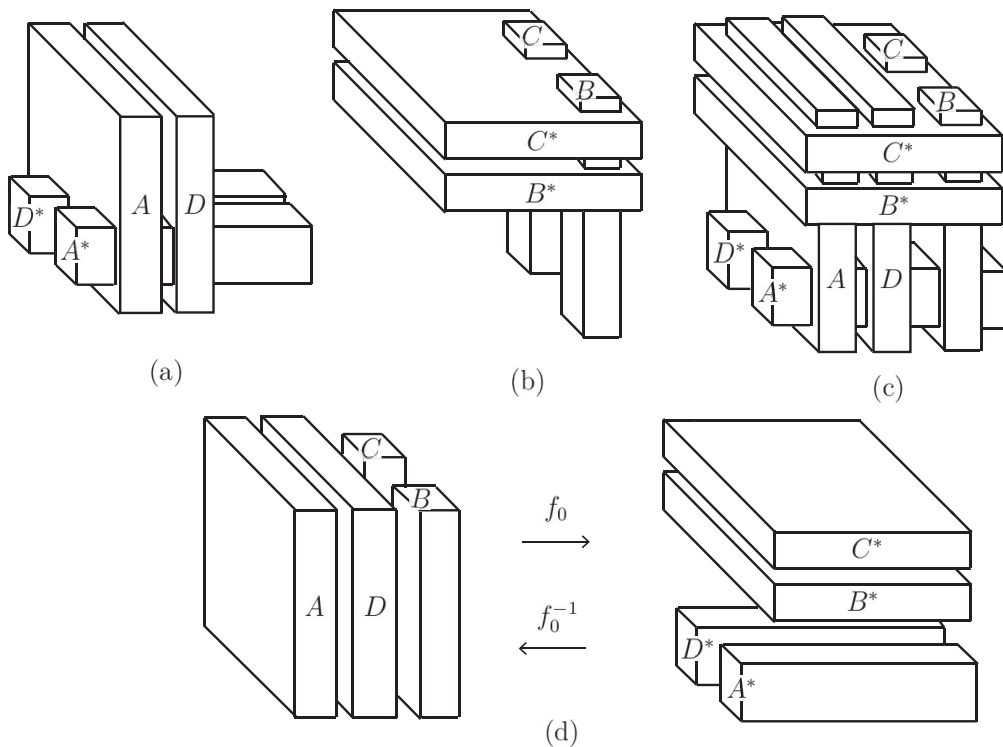
$$F(x_u, x_c, x_s) = \begin{cases} \left(h(x_u), \frac{1}{2}x_c, \frac{2}{3}x_s \right) & \text{on } A, \\ \left(h(x_u), 2x_c, \frac{1}{6}x_s + \frac{2}{3} \right) & \text{on } B, \\ \left(h(x_u), 2x_c - 1, \frac{1}{6}x_s + \frac{5}{6} \right) & \text{on } C, \\ \left(h(x_u), \frac{1}{2}x_c + \frac{1}{2}, \frac{2}{3}x_s \right) & \text{on } D, \end{cases}$$

where

$$\begin{aligned} A &= \left[0, \frac{1}{3} \right) \times [0, 1] \times [0, 1], \\ B &= \left[\frac{2}{3}, 1 \right] \times \left[0, \frac{1}{2} \right) \times [0, 1], \\ C &= \left[\frac{2}{3}, 1 \right] \times \left[\frac{1}{2}, 1 \right] \times [0, 1], \\ D &= \left[\frac{1}{3}, \frac{2}{3} \right) \times [0, 1] \times [0, 1]. \end{aligned}$$

See FIGURE 1. The map F preserves the Lebesgue measure on $[0, 1]^3$, and has a pair of closed invariant sets $\bigcap_{n=-\infty}^{\infty} F^n(A \cup D)$ and $\bigcap_{n=-\infty}^{\infty} F^n(B \cup C)$ of indices 1 and 2 respectively. The intersection of the unstable set of the first set and the stable set of the second set contains the segment $\{(1, x_c, 0) : 0 \leq x_c \leq 1\}$, which means that the Hausdorff dimension of their heteroclinic intersection is at least 1. The following dynamical properties of F were proved in [26]:

- F is transitive, i.e., has a dense orbit in $[0, 1]^3$.
- The set of hyperbolic periodic points with index 1 is dense in $[0, 1]^3$.
- The set of hyperbolic periodic points with index 2 is dense in $[0, 1]^3$.
- F is weak mixing with respect to the Lebesgue measure.


 FIGURE 2. The heterochaos horseshoe map f_0 .

In this paper we modify F into a diffeomorphism, and investigate the Hausdorff dimension of the intersection of the invariant manifolds of two intermingled horseshoes, allowing C^2 perturbations. As a corollary we obtain a new type of C^2 -robust heterodimensional cycles.

1.1. Heterochaos horseshoe maps. We begin with basic definitions to introduce our diffeomorphisms. A *block* is a Cartesian product of three non-degenerate compact intervals in \mathbb{R}^3 all of whose sides are parallel to one of the axes of coordinates of \mathbb{R}^3 . Given two blocks X and Y , we say X *stretches across* Y if X does not intersect the edges of Y and $X \setminus Y$ has two connected components.

Let A, B, C, D be pairwise disjoint blocks in $[0, 1]^3$ such that D is a translate of A in the x_u -direction and C is a translate of B in the x_c -direction. Similarly, let A^*, B^*, C^*, D^* be pairwise disjoint blocks in $[0, 1]^3$ such that D^* is a translate of A^* in the x_c -direction and C^* is a translate of B^* in the x_s -direction. We assume:

- (i) A^* stretches across A and D , and D^* stretches across A and D .
- (ii) B stretches across B^* and C^* , and C stretches across B^* and C^* .
- (iii) A^* stretches across B , and D^* stretches across C .
- (iv) A stretches across B^* and C^* , and D stretches across B^* and C^* .

See FIGURE 2(a), (b), (c), (c) respectively. Set

$$R_1 = A \cup D \quad \text{and} \quad R_2 = B^* \cup C^*.$$

For an integer $r \geq 1$, let $\text{Diff}^r(\mathbb{R}^3)$ denote the space of C^r diffeomorphisms of \mathbb{R}^3 endowed with the C^r compact open topology. We say $f_0 \in \text{Diff}^1(\mathbb{R}^3)$ is

a *heterochaos horseshoe map* if it maps A, B, C, D affinely to A^*, B^*, C^*, D^* respectively with diagonal Jacobian matrices, see FIGURE 2(d). Condition (i) implies that the restriction $f_0|_{R_1}$ is a horseshoe map whose unstable manifolds are one-dimensional. Condition (ii) implies that $f_0|_{R_2}$ is a horseshoe map whose stable manifolds are one-dimensional. Conditions (iii) (iv) determine how these two horseshoe maps are coupled.

1.2. Statements of results. Let f_0 be a heterochaos horseshoe map. Let $f \in \text{Diff}^1(\mathbb{R}^3)$ be sufficiently C^1 -close to f_0 . The compact f -invariant set

$$\Lambda = \bigcap_{n=-\infty}^{\infty} f^{-n}(R_1 \cup R_2)$$

contains two closed f -invariant sets $\Gamma = \Gamma(f)$ and $\Sigma = \Sigma(f)$ given by

$$\Gamma = \bigcap_{n=-\infty}^{\infty} f^{-n}(R_1) \quad \text{and} \quad \Sigma = \bigcap_{n=-\infty}^{\infty} f^{-n}(R_2),$$

which are hyperbolic sets of indices 1 and 2 respectively. Extending the arguments in [26] it is possible to show the transitivity, as well as the density of hyperbolic periodic points with different indices in Λ . If f is C^2 , the Lebesgue measure of Λ is zero.

Let $W^u(\Gamma)$ (resp. $W^s(\Sigma)$) denote the union of the unstable (resp. stable) manifolds of points in Γ (resp. Σ).

We will provide a condition on f_0 which ensures that the set

$$\mathcal{H} = W^u(\Gamma) \cap W^s(\Sigma) \cap \Lambda$$

is non-empty for f which is sufficiently C^2 -close to f_0 . Under a stronger condition on f_0 , we will give an estimate of the Hausdorff dimension of \mathcal{H} .

To these ends, we will define thicknesses of cross sections of $W^u(\Gamma)$ and $W^s(\Sigma)$, and relate them to the following numbers

$$a_1 = \frac{|A_c^*| - \kappa_1|A_c^*|}{|E_c^*| - 2|A_c^*| + \kappa_1|A_c^*|} \quad \text{and} \quad a_2 = \frac{|B_c| - \kappa_2|B_c|}{|F_c| - 2|B_c| + \kappa_2|B_c|},$$

where

$$\kappa_1 = \frac{|A_c| - |E_c^*|}{|A_c| - |A_c^*|} \quad \text{and} \quad \kappa_2 = \frac{|B_c^*| - |F_c|}{|B_c^*| - |B_c|}.$$

Hereafter, E^* denotes the minimal block containing $A^* \cup D^*$, and F denotes the minimal block containing $B \cup C$. For a block X we write $X = X_u \times X_c \times X_s$. We denote by $|I|$ the Euclidean length of a bounded interval $I \subset \mathbb{R}$. Note that $\kappa_1, \kappa_2 \in (0, 1)$, and so $a_1, a_2 > 0$.

Let \dim_{H} denote the Hausdorff dimension on \mathbb{R}^3 . The key term *dimension-reducible* will be defined in Section 3.1. Our main results are stated as follows.

Theorem A. *Let $f_0 \in \text{Diff}^2(\mathbb{R}^3)$ be a heterochaos horseshoe map that is dimension-reducible and satisfies $a_1 a_2 > 1$. There exists a C^2 neighborhood \mathcal{V} of f_0 such that for any $f \in \mathcal{V}$, \mathcal{H} is a non-empty totally disconnected set satisfying*

$$\dim_{\text{H}} \mathcal{H} < 1.$$

Moreover we have

$$\frac{\log 2}{\log(2 + 2/a_1)} + 1 < \dim_{\mathbb{H}} W^u(\Gamma) < 2, \quad \frac{\log 2}{\log(2 + 2/a_2)} + 1 < \dim_{\mathbb{H}} W^s(\Sigma) < 2.$$

The sets $W^u(\Gamma)$ and $W^s(\Sigma)$ are contained in locally invariant C^2 surfaces. We believe it is possible to characterize their Hausdorff dimensions as zeros of appropriately defined pressure functions as in [15]. For this type of results in dimension three, we refer the reader to [9, 27].

The sets $W^u(\Gamma)$ and $W^s(\Sigma)$ intersect each other as depicted in FIGURE 3. All their intersections are quasi-transverse, while $W^s(\Gamma)$ intersects $W^u(\Sigma)$ transversely. Therefore, the two hyperbolic sets Γ and Σ are cyclically related. This situation leads us to state an immediate dynamical application of Theorem A. We say $f \in \text{Diff}^r(\mathbb{R}^3)$ ($r \geq 1$) has a *heterodimensional cycle associated to its transitive hyperbolic sets Ψ and Υ* if the indices of Ψ and Υ are different, and $W^s(\Psi) \cap W^u(\Upsilon) \neq \emptyset$ and $W^s(\Upsilon) \cap W^u(\Psi) \neq \emptyset$. Since non-transverse intersections in heterodimensional cycles can easily be destroyed by perturbations of diffeomorphisms, the following notion is useful [7]. A heterodimensional cycle of f associated to transitive hyperbolic sets Ψ and Υ is C^r -robust if there is a C^r neighborhood \mathcal{V} of f such that any diffeomorphism in \mathcal{V} has a heterodimensional cycle associated to the continuations of Ψ and Υ . By Kupka-Smale's theorem, if f has a C^r -robust heterodimensional cycle associated to Ψ and Υ , either Ψ or Υ is a non-trivial hyperbolic set.

Robust heterodimensional cycles are often constructed by perturbations. It may be useful to exhibit a concrete example of a diffeomorphism which has a robust heterodimensional cycle. As a corollary to Theorem A we obtain the following.

Theorem B. *Let $f_0 \in \text{Diff}^2(\mathbb{R}^3)$ be a heterochaos horseshoe map that is dimension-reducible and satisfies $a_1 a_2 > 1$. Then f_0 has a C^2 -robust heterodimensional cycle associated to Γ and Σ .*

The C^2 -robust intersection between $W^u(\Gamma)$ and $W^s(\Sigma)$ obtained in Theorem A, as well as the C^2 -robust heterodimensional cycle in Theorem B comes from the analysis of the intersection of a pair of Cantor sets on the real line. In all our results, including Theorem C below, the thicknesses of such Cantor sets are essentially used, and therefore it is not possible to weaken the C^2 topology to C^1 . Indeed, Ures [29] showed that the thicknesses of C^1 -generic regular Cantor sets are zero, and Moreira [16] showed that any two intersecting regular Cantor sets can be C^1 -perturbed so that the perturbed Cantor sets do not intersect each other.

From Theorem A, we observe that the Hausdorff dimension of $W^u(\Gamma)$ and that of $W^s(\Sigma)$ converge to 2 as $\min\{a_1, a_2\} \rightarrow \infty$. Our next result shows that \mathcal{H} does not contain a continuum, but contains a set of Hausdorff dimension nearly 1.

Theorem C. *There exists $T_0 > 1$ such that if $f_0 \in \text{Diff}^2(\mathbb{R}^3)$ is a heterochaos horseshoe map that is dimension-reducible and satisfies $\min\{a_1, a_2\} > T_0$, then there exists a C^2 neighborhood \mathcal{V} of f_0 such that for any $f \in \mathcal{V}$,*

$$\left(1 + \frac{1}{\sqrt{\min\{a_1, a_2\}}}\right)^{-1} < \dim_{\mathbb{H}} \mathcal{H} < 1.$$

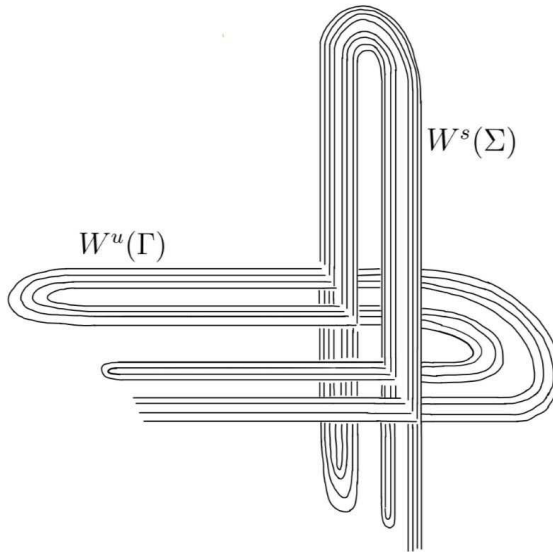


FIGURE 3. The sets $W^u(\Gamma)$, $W^s(\Sigma)$ and their fractal intersection.

It is worthwhile to compare Theorem C with the result of Moreira and Yoccoz [17], which shows that, for generic pairs of regular Cantor sets on the real line with large Hausdorff dimension, one can almost always find translations for which the two translated Cantor sets robustly have positive Hausdorff dimension. The thickness is not used in [17]. Our proof of Theorem C relies on the result of Hunt et al. [14] which asserts that two interleaved Cantor sets with large thicknesses contain a Cantor set with large thickness.

We do not claim that Theorem C gives optimal estimates on Hausdorff dimension of heteroclinic intersection for diffeomorphisms in dimension three. For example, modifying the construction of Asaoka [1], Barrientos and Pérez [4] constructed a C^1 diffeomorphism having two hyperbolic sets, one of index 1 and the other of index 2, for which the unstable set of the first set and the stable set of the second one contain two-dimensional submanifolds which intersect each other in a smooth curve. As we reiterate, our aim here is to introduce a model and results which provide a hands-on, elementary understanding of complicated dynamics in dimension three.

1.3. Outline of proofs of the theorems. Proofs of the main results are briefly outlined as follows. We focus on the Hausdorff dimension estimate of \mathcal{H} , since that of $W^u(\Gamma)$ and $W^s(\Sigma)$ are by-products. We begin by remarking that geometric structures of these sets for a general heterochaos horseshoe map can be quite rich. Our numerical experiment suggests that the heteroclinic intersection can contain a fractal set as in FIGURE 4(b), with Hausdorff dimension seemingly exceeding 1. Moreover, this fractal set appears to persist under small perturbations of the map. A dimension estimate in such a case is beyond our reach.

Therefore, we perform a dimension reduction. The assumption of dimension reducibility allows us to use the theory of normally hyperbolic invariant manifolds [11, 13] to construct two C^2 surfaces, called *graph-invariant surfaces*, one of which

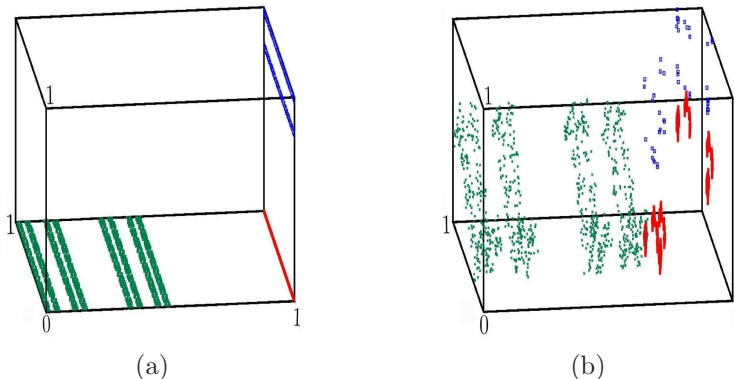


FIGURE 4. Numerical identification of Γ (green), Σ (blue) and part of their heteroclinic intersection (red) for heterochaos horseshoe maps: (a) dimension-reducible; (b) not dimension reducible.

contains a neighborhood of Γ in $W^u(\Gamma)$ and the other contains a neighborhood of Σ in $W^s(\Sigma)$ (see Section 3.3). The upper bound $\dim_{\mathbb{H}} \mathcal{H} < 1$ is a consequence of this construction.

A lower estimate of $\dim_{\mathbb{H}} \mathcal{H}$ as well as showing $\mathcal{H} \neq \emptyset$ is more delicate. We perform a further reduction to the problem of how two Cantor sets on the real line intersect each other. More precisely, we construct two Cantor sets contained in a smooth curve, by projecting the cross sections of $W^u(\Gamma)$ and $W^s(\Sigma)$ along their unstable and stable manifolds. Under the assumption of Theorem A, we show that the product of their thicknesses is strictly bigger than 1. We then use the result of Newhouse [18] to conclude that the two Cantor sets intersect each other, and \mathcal{H} is non-empty.

The number T_0 in Theorem C is a large constant determined by the result of Hunt et al. [14] that we recall in Section 2. We show that, if T_0 is sufficiently large, then the assumption $\min \{a_1, a_2\} > T_0$ implies that the two Cantor sets have uniformly large thicknesses. By the result of Hunt et al., their intersection contains a Cantor set with uniformly large thickness. We then appeal to the general lower bound of Newhouse [20] on the Hausdorff dimension of Cantor sets in terms of their thicknesses.

1.4. Comparison with blender approach. There is a different line of research where the intersection analysis of invariant manifolds are carried out using *blenders*. For a comparison with our results, among the many types of blenders, the one in [3] has an advantage in that an affine horseshoe and its perturbations were also considered. For other definitions of blenders, see also e.g., [5, 6] and [8, Section 6.2]. Key properties of a d_{cs} -stable (resp. d_{cu} -unstable) blender, in dimension three for example, is that a related one-dimensional local stable (resp. unstable) manifolds form a “topological surface” which intersects any curve “transverse” to it, and that this property is C^1 -robust. These key properties are used to blend C^1 -robust intersections between one-dimensional invariant manifolds. For the model presented in

the paper, the local stable manifolds of Σ are contained in a C^2 surface (see Proposition 3.3). Hence, Σ is not a d_{cs} -stable blender: the first key property obviously fails. Similarly, Γ is not a d_{cu} -unstable blender since its local unstable manifolds are contained in a C^2 surface.

For heterochaos horseshoe maps satisfying some additional assumptions, using blenders one can even construct C^1 -robust heterodimensional cycles associated to hyperbolic sets other than Γ, Σ . For details, see Appendix.

1.5. Structure of the paper. The rest of this paper consists of three sections. In Section 2 we introduce main tools, and in Section 3 perform main constructions. In Section 4 we complete the proofs of Theorems A and C.

2. MAIN TOOLS

In this section we introduce main tools needed for the proofs of the theorems. In Section 2.1 we state a version of the fundamental theorem of Hirsch et al. [13] on normally hyperbolic invariant manifolds. In Section 2.2 we introduce the thickness of Cantor sets on the real line, and recall the gap lemma of Newhouse [18] and the theorem of Hunt et al. [14] on when two thick Cantor sets intersect thickly.

2.1. Persistence of normally attracting invariant manifolds. Let M be a C^∞ Riemannian manifold and let $\varphi: M \rightarrow M$ be a C^r diffeomorphism ($r \geq 1$). Let $T_p\varphi$ denote the differential of φ at $p \in M$. Let d denote the distance on M given by the Riemannian metric. The unstable and stable sets of a point $p \in M$ are given by

$$\begin{aligned} W^u(p) &= \{q \in M : d(\varphi^n(p), \varphi^n(q)) \rightarrow 0 \text{ as } n \rightarrow -\infty\}, \\ W^s(p) &= \{q \in M : d(\varphi^n(p), \varphi^n(q)) \rightarrow 0 \text{ as } n \rightarrow \infty\}, \end{aligned}$$

respectively. If these sets are submanifolds of M , they are called *unstable* and *stable manifolds* of p .

A C^1 submanifold V of M is called *r -normally hyperbolic* for φ if $\varphi(V) = V$, and there exist a continuous $T\varphi$ -invariant splitting $T_V M = TV \oplus N^s \oplus N^u$ and constants $c > 0, \nu \in (0, 1)$ such that for any $p \in V$ and all unit vectors $v \in T_p V, n^s \in N_p^s, n^u \in N_p^u$ and any $n \geq 1$,

$$\frac{\|T_p\varphi^n n^s\|}{\|T_p\varphi^n v\|^r} \leq c\nu^n \quad \text{and} \quad \frac{\|T_p\varphi^{-n} n^u\|}{\|T_p\varphi^{-n} v\|^r} \leq c\nu^n,$$

where $\|\cdot\|$ denotes the norm on the tangent spaces that comes from the Riemannian metric. In the case $N^u = \{0\}$, V is called *r -normally attracting* for φ .

Normally hyperbolic invariant manifolds are persistent [11, 13]. We recall the precise statement of [13, Theorem 4.1] for the normally attracting case. The theorem below asserts that a compact r -normally attracting manifold V for a C^r diffeomorphism φ is C^r , and the stable set $\bigcup_{p \in V} W^s(p)$ of V is invariantly fibered by C^r submanifolds tangent at V to N^s . Moreover, these structures are unique and persistent under C^r perturbations of φ .

Theorem 2.1 ([13, Theorem 4.1]). *Let $\varphi: M \rightarrow M$ be a C^r diffeomorphism, $r \geq 1$, of a C^∞ Riemannian manifold M leaving a compact C^1 submanifold V invariant. Assume φ is r -normally attracting at V respecting the splitting $T_V M = TV \oplus N^s$. Then V is C^r , and the following hold:*

- (a) *For each $p \in V$ there exists a regular C^r submanifold $W^{ss}(p)$ contained in the stable set of p and tangent to N_p^s , such that $\varphi(W^{ss}(p)) \subset W^{ss}(\varphi(p))$ for any $p \in V$ and $\bigcup_{p \in V} W^{ss}(p)$ contains a neighborhood of V .*
- (b) *If $\tilde{\varphi}$ is another diffeomorphism of M which is sufficiently C^r -close to φ , then $\tilde{\varphi}$ is r -normally attracting at some unique \tilde{V} , C^r -close to V .*

2.2. Intersection of Cantor sets. We adopt the definition of thickness by Palis and Takens [21] that is equivalent to the one by Newhouse [18]. Let S be a Cantor set in \mathbb{R} . A *gap* of S is a connected component of $\mathbb{R} \setminus S$. A *bounded gap* is a gap which is bounded. Let G be any bounded gap and x be a boundary point of G . Let I denote the *bridge of S at x* , i.e., the maximal interval in \mathbb{R} that satisfies $x \in \partial I$, and contains no point of a gap whose Euclidean length is at least $|G|$. The thickness of S at x (the local thickness) is defined by

$$\tau(S, x) = \frac{|I|}{|G|}.$$

The *thickness* $\tau(S)$ of S is the infimum of $\tau(S, x)$ over all boundary points x of bounded gaps. We say two Cantor sets S_1, S_2 in \mathbb{R} are *interleaved* if neither set is contained in the closure of a gap of the other set.

Lemma 2.2 (the gap lemma [18]). *Let S_1, S_2 be two interleaved Cantor sets in \mathbb{R} such that $\tau(S_1)\tau(S_2) > 1$. Then $S_1 \cap S_2$ is non-empty.*

The gap lemma asserts that two interleaved Cantor sets on the real line intersect each other if the product of their thicknesses is greater than one. It does not imply any lower bound of the Hausdorff dimension of the intersection of the two Cantor sets. Indeed, Williams [30] observed that two interleaved Cantor sets can have thicknesses well above 1 and still only intersect at a single point. The next theorem in [14] asserts that the intersection of two interleaved Cantor sets with large thicknesses contains a Cantor set with large thickness.

Theorem 2.3 (in [14, p.881, Remark]). *For any $\varepsilon \in (0, 1)$ there exists $T > 0$ such that if two Cantor sets S_1, S_2 in \mathbb{R} with $\tau(S_1) > T, \tau(S_2) > T$ are interleaved, then $S_1 \cap S_2$ contains a Cantor set whose thickness is at least $(1 - \varepsilon)\sqrt{\min\{\tau(S_1), \tau(S_2)\}}$.*

We will deal with Cantor sets which are subsets of C^2 curves in \mathbb{R}^3 . Their thicknesses will be defined with respect to the induced metrics on these curves.

3. MAIN CONSTRUCTIONS

In this section we perform main constructions needed for the proofs of our main results. In Section 3.1 we introduce the dimension reducibility which will be assumed throughout the rest of the paper. In Section 3.2 we provide standard hyperbolicity estimates. In Section 3.3 we construct two graph-invariant surfaces, and in Section 3.4 construct two Cantor sets. In Section 3.5 we describe the structure of these Cantor sets in terms of symbolic dynamics.

3.1. Initial setup. Let $f_0 \in \text{Diff}^1(\mathbb{R}^3)$ be a heterochaos horseshoe map. Define

$$(3.1) \quad \lambda_{0,i} = \frac{|A_i^*|}{|A_i|} \quad \text{and} \quad \nu_{0,i} = \frac{|B_i^*|}{|B_i|} \quad \text{for } i \in \{u, c, s\}.$$

We say f_0 is *dimension-reducible* if $f_0 \in \text{Diff}^2(\mathbb{R}^3)$, all the diagonal elements of its Jacobian matrices on A, B, C, D are positive, and

$$(3.2) \quad \lambda_{0,c}^2 > \lambda_{0,s} \quad \text{and} \quad \nu_{0,u} > \nu_{0,c}^2.$$

(Standing hypothesis for the rest of the paper): $f_0 \in \text{Diff}^2(\mathbb{R}^3)$ is a heterochaos horseshoe map that is dimension-reducible.

In particular, we have

$$(3.3) \quad \lambda_{0,u} > 2 > 1/2 > \lambda_{0,c} > \lambda_{0,s} \quad \text{and} \quad \nu_{0,u} > \nu_{0,c} > 2 > 1/2 > \nu_{0,s}.$$

3.2. Hyperbolic behaviors. We use the set $\{\partial_{x_u}, \partial_{x_c}, \partial_{x_s}\}$ of the first-order partial derivatives as a basis for the tangent space at a point of \mathbb{R}^3 . For $\theta > 0$ and $p \in \mathbb{R}^3$, we introduce the following subsets of $T_p\mathbb{R}^3$:

$$\begin{aligned} \mathcal{C}_p^u(\theta) &= \left\{ (\xi, \eta, \zeta) : \theta|\xi| \geq \sqrt{|\eta|^2 + |\zeta|^2} \right\}, & \mathcal{C}_p^{cu}(\theta) &= \left\{ (\xi, \eta, \zeta) : \theta\sqrt{|\xi|^2 + |\eta|^2} \geq |\zeta| \right\}, \\ \mathcal{C}_p^s(\theta) &= \left\{ (\xi, \eta, \zeta) : \sqrt{|\xi|^2 + |\eta|^2} \leq \theta|\zeta| \right\}, & \mathcal{C}_p^{cs}(\theta) &= \left\{ (\xi, \eta, \zeta) : |\xi| \leq \theta\sqrt{|\eta|^2 + |\zeta|^2} \right\}, \\ \mathcal{C}_p^c(\theta) &= \mathcal{C}_p^{cu}(\theta) \cap \mathcal{C}_p^{cs}(\theta). \end{aligned}$$

Note that $\mathcal{C}_p^u(\theta) \subset \mathcal{C}_p^{cu}(\theta)$ and $\mathcal{C}_p^s(\theta) \subset \mathcal{C}_p^{cs}(\theta)$. If $\theta \in (0, 1/10)$ then $\mathcal{C}_p^u(\theta) \cap \mathcal{C}_p^{cs}(\theta) = \{0\} = \mathcal{C}_p^{cu}(\theta) \cap \mathcal{C}_p^s(\theta)$.

By a C^r *curve* (resp. *surface*) we mean a regular one-(resp. two-)dimensional C^r submanifold of \mathbb{R}^3 . For $i \in \{u, c, s\}$, we say a C^1 curve γ is *tangent to $\mathcal{C}^i(\theta)$* if $T_p\gamma \subset \mathcal{C}_p^i(\theta)$ holds for any $p \in \gamma$. For $i \in \{cu, cs\}$, we say a C^1 surface V is *tangent to $\mathcal{C}^i(\theta)$* if $T_pV \subset \mathcal{C}_p^i(\theta)$ holds for any $p \in V$.

For $p \in \mathbb{R}^3$ and a subset \mathcal{C} of $T_p\mathbb{R}^3$, define

$$\|T_p f\|_{\mathcal{C}} = \sup_{v \in \mathcal{C} \setminus \{0\}} \frac{\|T_p f v\|}{\|v\|} \quad \text{and} \quad |T_p f|_{\mathcal{C}} = \inf_{v \in \mathcal{C} \setminus \{0\}} \frac{\|T_p f v\|}{\|v\|},$$

where $\|\cdot\|$ denotes the Euclidean norm on the tangent space of \mathbb{R}^3 .

The next two propositions are consequences of the affinity of f_0 on the four blocks with the expansion and contraction rates in (3.1) satisfying (3.3).

Proposition 3.1. *For any $\theta \in (0, 1/10)$, there exist two disjoint open sets $U_1 \supset R_1, U_2 \supset R_2$ such that for any $f \in \text{Diff}^1(\mathbb{R}^3)$ which is sufficiently C^1 -close to f_0 and for $i = 1, 2$ the following hold:*

- (a) *If $\gamma \subset U_i$ is a C^1 curve which is tangent to $\mathcal{C}^u(\theta)$ (resp. $\mathcal{C}^s(\theta)$), then $f(\gamma)$ (resp. $f^{-1}(\gamma)$) is tangent to $\mathcal{C}^u(\theta)$ (resp. $\mathcal{C}^s(\theta)$).*
- (b) *If $V \subset U_i$ is a C^1 surface which is tangent to $\mathcal{C}^{cu}(\theta)$ (resp. $\mathcal{C}^{cs}(\theta)$), then $f(V)$ (resp. $f^{-1}(V)$) is tangent to $\mathcal{C}^{cu}(\theta)$ (resp. $\mathcal{C}^{cs}(\theta)$).*

Proposition 3.2. *Let $\lambda_u, \lambda_c, \lambda'_c, \lambda_s, \nu_u, \nu_c, \nu'_c, \nu_s \in \mathbb{R}$ satisfy*

$$(3.4) \quad \lambda_{0,u} > \lambda_u > 2 > 1/2 > \lambda_c > \lambda_{0,c} > \lambda'_c > \lambda_s > \lambda_{0,s} \quad \text{and}$$

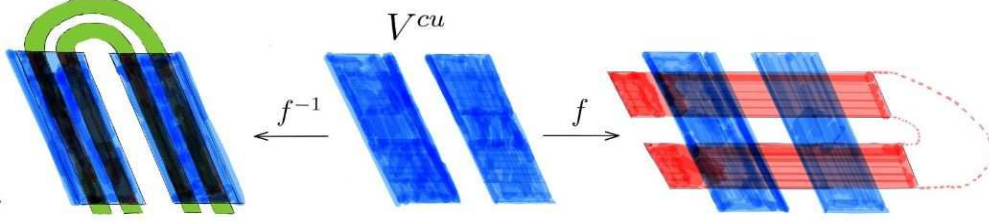


FIGURE 5. The graph-invariant surface V^{cu} in R_1 for f (blue), its forward image $f(V^{cu})$ (red) and backward image $f^{-1}(V^{cu})$ (green).

$$(3.5) \quad \nu_{0,u} > \nu_u > \nu_c > \nu_{0,c} > \nu'_c > 2 > 1/2 > \nu_s > \nu_{0,s}.$$

There exist $\theta \in (0, 1/10)$ and two disjoint open sets $U_1 \supset R_1$, $U_2 \supset R_2$ such that for any $f \in \text{Diff}^1(\mathbb{R}^3)$ which is sufficiently C^1 -close to f_0 the following hold:

(a) If $p \in U_1$ then

$$(3.6) \quad |T_p f|_{C_p^u(\theta)} \geq \lambda_u \quad \text{and} \quad |T_{f(p)} f^{-1}|_{C_{f(p)}^s(\theta)} \geq \lambda_s^{-1},$$

$$(3.7) \quad |T_{f(p)} f^{-1}|_{C_{f(p)}^c(\theta)} \geq \lambda_c^{-1} \quad \text{and} \quad \|T_{f(p)} f^{-1}\|_{C_{f(p)}^c(\theta)} \leq \lambda'_c{}^{-1}.$$

(b) If $p \in U_2$ then

$$(3.8) \quad |T_p f^{-1}|_{C_p^s(\theta)} \geq \nu_s^{-1} \quad \text{and} \quad |T_{f^{-1}(p)} f|_{C_{f^{-1}(p)}^u(\theta)} \geq \nu_u,$$

$$(3.9) \quad |T_{f^{-1}(p)} f|_{C_{f^{-1}(p)}^c(\theta)} \geq \nu'_c \quad \text{and} \quad \|T_{f^{-1}(p)} f\|_{C_{f^{-1}(p)}^c(\theta)} \leq \nu_c.$$

3.3. Construction of graph-invariant surfaces. We prove a dimension reduction result announced in Section 1.3. A key concept is that of graph-invariant surfaces. Since we deal with two horseshoe maps with different unstable dimensions, there are two different types of graph-invariant surfaces. Let

$$\pi_1: (x_u, x_c, x_s) \mapsto (x_u, x_c) \quad \text{and} \quad \pi_2: (x_u, x_c, x_s) \mapsto (x_c, x_s)$$

be the natural projections, and let $f \in \text{Diff}^2(\mathbb{R}^3)$. A C^2 surface V^{cu} is called *graph-invariant in R_1 for f* if there exists a C^2 function $\phi_1: \pi_1(R_1) \rightarrow \mathbb{R}$, called the *defining function* with the following properties (see FIGURE 5):

- (i) $V^{cu} = \{(x_u, x_c, \phi_1(x_u, x_c)): (x_u, x_c) \in \pi_1(R_1)\}$.
- (ii) $V^{cu} \cap f^{-1}(R_1) \subset f^{-1}(V^{cu})$ and $V^{cu} \cap f(R_1) \subset f(V^{cu})$.
- (iii) $\sum_{\alpha: 1 \leq |\alpha| \leq 2} \sup_{\pi_1(R_1)} |\partial^\alpha \phi_1| < 1/10$.

where $\alpha = (\alpha_u, \alpha_c, \alpha_s)$ denotes the multi-index: $\partial^\alpha = \partial_{x_u}^{\alpha_u} \partial_{x_c}^{\alpha_c} \partial_{x_s}^{\alpha_s}$. Similarly, a C^2 surface V^{cs} is called *graph-invariant in R_2 for f^{-1}* if there exists a C^2 function $\phi_2: \pi_2(R_2) \rightarrow \mathbb{R}$ with the following properties:

- (i) $V^{cs} = \{(\phi_2(x_c, x_s), x_c, x_s): (x_c, x_s) \in \pi_2(R_2)\}$.
- (ii) $V^{cs} \cap f^{-1}(R_2) \subset f^{-1}(V^{cs})$ and $V^{cs} \cap f(R_2) \subset f(V^{cs})$.
- (iii) $\sum_{\alpha: 1 \leq |\alpha| \leq 2} \sup_{\pi_2(R_2)} |\partial^\alpha \phi_2| < 1/10$.

Proposition 3.3. *If $\theta > 0$ is sufficiently small and $f \in \text{Diff}^2(\mathbb{R}^3)$ is sufficiently C^2 -close to f_0 , there exists a unique graph-invariant surface V^{cu} in R_1 for f . Moreover we have $\bigcap_{n=0}^{\infty} f^n(R_1) \subset V^{cu}$, and the defining function ϕ_1 of V^{cu} satisfies $\sum_{\alpha: 1 \leq |\alpha| \leq 2} \sup_{\pi_1(R_1)} |\partial^\alpha \phi_1| < \theta$. Similarly, there exists a unique graph-invariant surface V^{cs} in R_2 for f^{-1} . Moreover we have $\bigcap_{n=0}^{\infty} f^{-n}(R_2) \subset V^{cs}$, and the defining function ϕ_2 of V^{cs} satisfies $\sum_{\alpha: 1 \leq |\alpha| \leq 2} \sup_{\pi_2(R_2)} |\partial^\alpha \phi_2| < \theta$.*

Proof. Let $\theta > 0$ be sufficiently small, let $\lambda_u, \lambda_c, \lambda'_c, \lambda_s, \nu_u, \nu_c, \nu'_c, \nu_s \in \mathbb{R}$ satisfy (3.4), (3.5), let $U_1 \supset R_1, U_2 \supset R_2$ be disjoint open sets and let f be sufficiently C^2 -close to f_0 for which the conclusions of Propositions 3.1 and 3.2 hold. We only give a proof of the statements on V^{cu} since that on V^{cs} is analogous.

Let $x_{0,s}$ denote the x_s -coordinate of the fixed saddle of f_0 in A . Since f_0 is dimension-reducible, the first inequality in (3.2) implies that there exist a C^2 surface M diffeomorphic to the two-dimensional sphere and $\tilde{f}_0 \in \text{Diff}^2(\mathbb{R}^3)$ such that $\pi_1(R_1) \times \{x_{0,s}\} \subset M$, $\tilde{f}_0|_{U_1} = f_0|_{U_1}$, and M is 2-normally attracting for \tilde{f}_0 . By Theorem 2.1 applied to (\tilde{f}_0, M) , there exist a C^2 neighborhood \mathcal{Y} of \tilde{f}_0 , an open set $\Delta \subset \mathbb{R}^2$ containing $\pi_1(R_1)$, a constant $\delta_0 > 0$, and for each $g \in \mathcal{Y}$ there exist a 2-normally attracting C^2 submanifold $V(g)$ for g , and a C^2 function $\phi(g): \Delta \rightarrow \mathbb{R}$ with the following properties:

- (i) $\text{graph}(\phi(g)) = \{(x_u, x_c, \phi(g)(x_u, x_c)) \in \mathbb{R}^3: (x_u, x_c) \in \Delta\} \subset V(g)$.
- (ii) $\sum_{\alpha: 1 \leq |\alpha| \leq 2} \sup_{\Delta} |\partial^\alpha \phi(g)| < \theta$.
- (iii) For each $p \in \text{graph}(\phi(g))$ there exists a C^1 curve $W^{ss}(p)$ through p which is tangent to $\mathcal{C}^s(\theta)$ such that $g(p) \in \text{graph}(\phi(g))$ implies $g(W^{ss}(p)) \subset W^{ss}(g(p))$, and

$$(3.10) \quad \pi_1(R_1) \times (x_{0,s} - \delta_0, x_{0,s} + \delta_0) \subset W^{ss}(\text{graph}(\phi(g))) \subset U_1,$$

$$\text{where } W^{ss}(\text{graph}(\phi(g))) = \bigcup \{W^{ss}(p): p \in \text{graph}(\phi(g))\}.$$

For each f which is sufficiently C^2 -close to f_0 , we choose $g_f \in \mathcal{Y}$ such that $f|_{U_1} = g_f|_{U_1}$, and set

$$V^{cu} = \text{graph}(\phi(g_f)) \cap R_1.$$

Then V^{cu} is a graph-invariant surface in R_1 for f whose defining function is the restriction of $\phi(g_f)$ to $\pi_1(R_1)$.

Lemma 3.4. *We have $\bigcap_{n=0}^{\infty} f^n(R_1) \subset W^{ss}(\text{graph}(\phi(g_f)))$.*

Proof. Since the block D is a translate of A in the x_u -direction, $\bigcap_{n=0}^{\infty} f_0^n(R_1)$ is contained in $\pi_1(R_1) \times \{x_{0,s}\}$. From this and (3.10) the desired inclusion follows. \square

Lemma 3.5. *Any C^1 curve which is tangent to $\mathcal{C}^s(\theta)$ and intersects $\bigcap_{n=0}^2 f^n(R_1)$ does not intersect $V^{cu} \setminus f(R_1)$.*

Proof. Any C^1 curve which is tangent to $\mathcal{C}^s(2\theta)$ and intersects $\bigcap_{n=0}^2 f_0^n(R_1)$ does not intersect $(R_1 \cap \{x_s = x_{0,s}\}) \setminus f_0(R_1)$. This implies the assertion of the lemma. \square

We now prove $\bigcap_{n=0}^{\infty} f^n(R_1) \subset V^{cu}$ by way of contradiction. Let $p \in \bigcap_{n=0}^{\infty} f^n(R_1)$ and suppose $p \notin V^{cu}$. From Lemma 3.4, there exists $q \in \text{graph}(\phi(g_f))$ such that $p \in W^{ss}(q)$. Since $p \notin V^{cu}$ we have $p \neq q$. Let σ denote the C^1 curve in

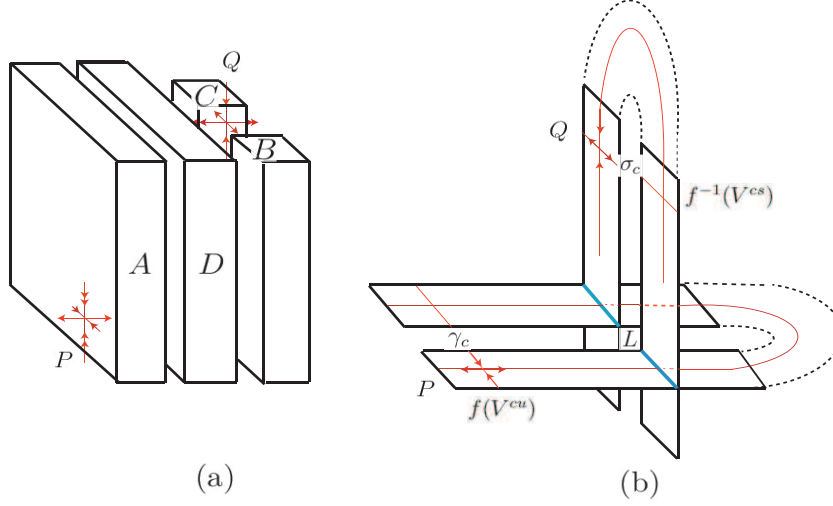


FIGURE 6. (a) the fixed saddles P and Q ; (b) the surfaces $f(V^{cu})$ and $f^{-1}(V^{cs})$.

$W^{ss}(q)$ joining p and q . The images of σ under the iteration of f^{-1} are tangent to $\mathcal{C}^s(\theta)$ by Proposition 3.1, and expanded by factor λ_s^{-1} by Proposition 3.2. Let $n_0 \geq 1$ denote the minimal integer such that $f^{-n_0}(\sigma) \notin W^{ss}(\text{graph}(\phi(g_f)))$. Lemma 3.4 implies $f^{-n}(p) \in W^{ss}(\text{graph}(\phi(g_f)))$ for all $n \geq 0$, and so we must have $\{f^{-n_0+1}(q)\} \setminus \{f^{-n_0}(q)\} \subset \text{graph}(\phi(g_f))$. It follows that $f^{-n_0+1}(p) \in \bigcap_{n=0}^2 f^n(R_1)$ and $f^{-n_0+1}(q) \in V^{cu} \setminus f(R_1)$. In particular, $f^{-n_0+1}(\sigma)$ intersects $\bigcap_{n=0}^2 f^n(R_1)$ and $V^{cu} \setminus f(R_1)$. By Lemma 3.5, $f^{-n_0+1}(\sigma)$ is not tangent to $\mathcal{C}^s(\theta)$, a contradiction to Proposition 3.1.

To show the uniqueness, let V, V' be graph-invariant surfaces in R_1 for f . The argument in the previous paragraph shows that $V \cap V' \supset \bigcap_{n=0}^{\infty} f^n(R_1)$. The uniqueness in Theorem 2.1 implies $V = V'$. \square

3.4. Construction of Cantor sets. Throughout the rest of this section, let $\theta > 0$ be sufficiently small and let f be sufficiently C^2 -close to f_0 for which the conclusions of Propositions 3.1, 3.2, 3.3 hold. Let P, Q denote the fixed saddles of f in A, C^* respectively. Let $W_{\text{loc}}^s(P)$ denote the connected component of $W^s(P) \cap A$ containing P , and let $W_{\text{loc}}^u(Q)$ denote the connected component of $W^u(Q) \cap C^*$ containing Q . Put

$$\gamma_c = W_{\text{loc}}^s(P) \cap V^{cu} \quad \text{and} \quad \sigma_c = W_{\text{loc}}^u(Q) \cap V^{cs}.$$

See FIGURE 6. The curve γ_c is C^2 since it is a transverse intersection of two C^2 surfaces $W_{\text{loc}}^s(P)$ and V^{cu} . For the same reason, σ_c is a C^2 curve. We fix two C^2 curves $\tilde{\gamma}_c \supset \gamma_c, \tilde{\sigma}_c \supset \sigma_c$ such that $\tilde{\gamma}_c \setminus \gamma_c$ and $\tilde{\sigma}_c \setminus \sigma_c$ have two connected components both of infinite length, and view $\gamma_c \cap \Gamma$ and $\sigma_c \cap \Sigma$ as Cantor sets with respect to the induced metrics on $\tilde{\gamma}_c$ and $\tilde{\sigma}_c$.

For $p \in f(V^{cu})$, let $\mathcal{F}^u(p)$ denote the connected component of $W^u(p) \cap f(V^{cu})$ which contains p . For $q \in f^{-1}(V^{cs})$, let $\mathcal{F}^s(q)$ denote the connected component of

$W^s(q) \cap f^{-1}(V^{cs})$ which contains q . Set

$$\mathcal{F}^u(\Gamma) = \bigcup_{p \in \gamma_c \cap \Gamma} \mathcal{F}^u(p) \quad \text{and} \quad \mathcal{F}^s(\Sigma) = \bigcup_{q \in \sigma_c \cap \Sigma} \mathcal{F}^s(q).$$

By Proposition 3.3, for any $i \geq 0$ we have $f^{-i}(\mathcal{F}^u(\Gamma)) \subset \bigcap_{n=0}^{\infty} f^n(R_1) \subset V^{cu}$ and $f^i(\mathcal{F}^s(\Sigma)) \subset \bigcap_{n=0}^{\infty} f^{-n}(R_2) \subset V^{cs}$, namely

$$(3.11) \quad \mathcal{F}^u(\Gamma) \subset \bigcap_{n=0}^{\infty} f^n(V^{cu}) \quad \text{and} \quad \mathcal{F}^s(\Sigma) \subset \bigcap_{n=0}^{\infty} f^{-n}(V^{cs}).$$

The set

$$L = f(V^{cu}) \cap f^{-1}(V^{cs})$$

contains $\mathcal{F}^u(\Gamma) \cap \mathcal{F}^s(\Sigma)$, and consists of two connected components. Since any connected component of L is a transverse intersection between two C^2 surfaces, it is a C^2 curve. By Proposition 3.1, the connected components of L are tangent to $\mathcal{C}^c(\theta)$. We fix a C^2 curve \tilde{L} which is tangent to $\mathcal{C}^c(\theta)$ and contains L so that $\tilde{L} \setminus L$ has two connected components of infinite length.

We now define two projections $\Pi^u: \mathcal{F}^u(\Gamma) \rightarrow L$ and $\Pi^s: \mathcal{F}^s(\Sigma) \rightarrow L$ by

$$(3.12) \quad \Pi^u(p) \in L \cap \mathcal{F}^u(p) \quad \text{and} \quad \Pi^s(q) \in L \cap \mathcal{F}^s(q),$$

and set

$$(3.13) \quad \Omega_1 = \Pi^u(\gamma_c \cap \Gamma) \quad \text{and} \quad \Omega_2 = \Pi^s(\sigma_c \cap \Sigma).$$

We view Ω_1 and Ω_2 as Cantor sets with respect to the induced metric on \tilde{L} , with thicknesses $\tau(\Omega_1)$ and $\tau(\Omega_2)$. Clearly, Ω_1 and Ω_2 are interleaved and satisfy $\Omega_1 \subset W^u(\Gamma)$, $\Omega_2 \subset W^s(\Sigma)$, $\Omega_1 \cap \Omega_2 \subset \mathcal{H}$.

3.5. Symbolic coding and description of Cantor sets. In order to further describe the structure of the set $\gamma_c \cap \Gamma$, it is convenient to use a coding on two symbols $f(A), f(D)$. For each $n \geq 1$ and a word $\omega^- = \omega_{-n} \cdots \omega_{-1}$ in $\{f(A), f(D)\}^n$, define an n -cylinder in γ_c by

$$[\omega^-] = \{p \in \gamma_c: f^{-i}(p) \in \omega_{-i-1} \quad \text{for } 0 \leq i \leq n-1\}.$$

Using the condition $V^{cu} \cap f(R_1) \subset f(V^{cu})$ inductively, one can show that $f^{-n}([\omega^-]) \subset V^{cu}$ holds for any $n \geq 1$ and any $\omega^- \in \{f(A), f(D)\}^n$. From this and Proposition 3.1, for any $n \geq 1$ and any $\omega^- \in \{f(A), f(D)\}^n$, $f^{-n}([\omega^-])$ is tangent to $\mathcal{C}^c(\theta)$ and stretches across one of the connected components of V^{cu} (see FIGURE 7). Hence, each n -cylinder $[\omega^-]$ contains exactly two $(n+1)$ -cylinders $[f(A)\omega^-]$ and $[f(D)\omega^-]$, and the set $[\omega^-] \setminus ([f(A)\omega^-] \cup [f(D)\omega^-])$ has exactly three connected components.

Similarly, each point in $\sigma_c \cap \Sigma$ is uniquely coded by a sequence of two symbols $f^{-1}(B^*)$ and $f^{-1}(C^*)$ which records the history of the forward orbit of the point. For each $n \geq 1$ and a word $\omega^+ = \omega_1 \cdots \omega_n$ in $\{f^{-1}(B^*), f^{-1}(C^*)\}^n$, define an n -cylinder in σ_c by

$$[\omega^+] = \{q \in \sigma_c: f^i(q) \in \omega_{i+1} \quad \text{for } 0 \leq i \leq n-1\}.$$

It may be useful to view $\gamma_c \cap \Gamma$ as constructed by an inductive procedure like the middle third Cantor set: starting from $\gamma_c^0 = \gamma_c \cap f(V^{cu})$, at step $n \geq 1$ we construct

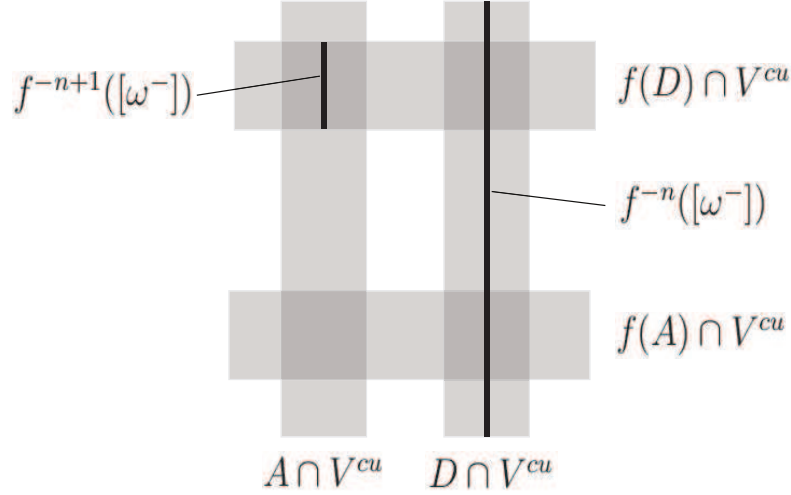


FIGURE 7. The image of an n -cylinder $[\omega^-]$ in γ_c , $\omega^- = \omega_{-n} \cdots \omega_{-1}$, $\omega_{-n} = f(A)$.

an n -th approximation $\gamma_c^n = \gamma_c \cap \bigcap_{i=0}^n f^i(f(V^{cu}))$ by deleting from $f^{-n}(\gamma_c^{n-1})$ all those points not contained in $f(V^{cu})$, and then applying f^n to the remaining set. For each $n \geq 1$, γ_c^{n-1} consists of 2^n connected components which are n -cylinders (see FIGURE 8), and we have $\gamma_c \cap \Gamma = \bigcap_{n=0}^{\infty} \gamma_c^n$. Unlike the middle third Cantor set, we must delete from each connected component of γ_c^{n-1} some neighborhoods of its boundary points. Hence, any gap of $\gamma_c \cap \Gamma$ is not created in a finite step of the induction, and a careful analysis is required to estimate the thickness of $\gamma_c \cap \Gamma$.

For each bounded gap G of $\gamma_c \cap \Gamma$, we associate a non-negative integer t_G as follows. If G is the unique bounded gap of $\gamma_c \cap \Gamma$ that intersect both $f(A)$ and $f(D)$, we set $t_G = 0$. Otherwise, either $G \subset f(A)$ or $G \subset f(D)$ holds. We set

$$t_G = \max\{n \geq 1: \text{there exists an } n\text{-cylinder in } \gamma_c \text{ containing } G\}.$$

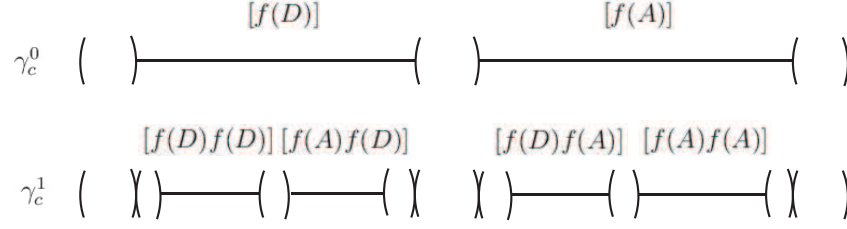
If $t_G \geq 1$, then $f^{-i}(G) \subset f(V^{cu})$ for $0 \leq i \leq t_G - 1$ and $f^{-t_G}(G) \not\subset f(V^{cu})$.

If $t_G \geq 1$, let $\omega^-(G) = \omega_{-t_G} \cdots \omega_{-1}$ denote the word in $\{f(A), f(D)\}^{t_G}$ such that $G \subset [\omega^-(G)]$. If $t_G = 0$, we define $\omega^-(G)$ to be the empty word in $\bigcup_{n=1}^{\infty} \{f(A), f(D)\}^n$, and set $[\omega^-(G)] = \gamma_c$. Any bounded gap G' of $\gamma_c \cap \Gamma$ in $[\omega^-(G)]$ other than G satisfies $t_{G'} > t_G$. Note that $f^{-t_G}([\omega^-(G)])$ stretches across $A \cap V^{cu}$ or $D \cap V^{cu}$. Let \underline{G} denote the maximal curve in G such that $f^{-t_G}(\underline{G}) \cap f(V^{cu}) = \emptyset$. The set $G \setminus \underline{G}$ has exactly two connected components. If $t_G \geq 1$, \underline{G} is the middle connected component of $[\omega^-(G)] \setminus ([f(A)\omega^-(G)] \cup [f(D)\omega^-(G)])$.

Similarly, for each bounded gap H of $\sigma_c \cap \Sigma$ we associate a non-negative integer u_H as follows. If H is the unique bounded gap of $\sigma_c \cap \Sigma$ that intersect both $f^{-1}(B^*)$ and $f^{-1}(C^*)$, we set $u_H = 0$. Otherwise, we set

$$u_H = \max\{n \geq 1: \text{there exists an } n\text{-cylinder in } \sigma_c \text{ containing } H\}.$$

If $u_H \geq 1$, let $\omega^+(H) = \omega_1 \cdots \omega_{u_H}$ denote the word in $\{f^{-1}(B^*), f^{-1}(C^*)\}^{u_H}$ such that $H \subset [\omega^+(H)]$. If $u_H = 0$, we define $\omega^+(H)$ to be the empty word in

FIGURE 8. All the 1- and 2-cylinders in γ_c .

$\bigcup_{n=1}^{\infty} \{f^{-1}(B^*), f^{-1}(C^*)\}^n$, and set $[\omega^+(H)] = \sigma_c$. Let \underline{H} denote the maximal curve in H such that $f^{u_H}(\underline{H}) \cap f^{-1}(V^{cs}) = \emptyset$.

4. ESTIMATES ON THICKNESSES AND PROOFS OF THE MAIN RESULTS

In this last section we complete the proofs of Theorems A and C. In Section 4.1, we establish a bounded distortion result on iterations of curves in the graph-invariant surfaces constructed in Section 3. In Section 4.2, we estimate local thicknesses of the cross sections $\gamma_c \cap \Gamma$ and $\sigma_c \cap \Sigma$. In Section 4.3 we show that these estimates are well-preserved under the projections Π^u and Π^s in (3.12). In Section 4.4 we estimate the thicknesses of the Cantor sets Ω_1 and Ω_2 in (3.13), and complete the proofs of Theorems A and C in Sections 4.5 and 4.6 respectively. Computational proofs are postponed to Sections 4.7 and 4.8.

4.1. Bounded distortions on curves in graph-invariant surfaces. Let $\theta > 0$ be sufficiently small and let $f \in \text{Diff}^2(\mathbb{R}^3)$ be sufficiently C^2 -close to f_0 for which the conclusions of Propositions 3.1, 3.2, 3.3 hold. A C^2 curve γ in $V^{cu} \cup f(V^{cu})$ is called *cu-admissible* if it is tangent to $\mathcal{C}^c(\theta)$ and the curvature of $\pi_1(\gamma)$ is everywhere at most θ . Similarly, a C^2 curve σ in $V^{cs} \cup f^{-1}(V^{cs})$ is called *cs-admissible* if it is tangent to $\mathcal{C}^c(\theta)$ and the curvature of $\pi_2(\sigma)$ is everywhere at most θ .

Proposition 4.1. *For any $K \in (1, 2)$ there exists $\theta \in (0, 1/10)$ such that if $f \in \text{Diff}^2(\mathbb{R}^3)$ is sufficiently C^2 -close to f_0 , then for any $n \geq 1$ and any cu-admissible curve γ in $\bigcap_{i=0}^n f^i(V^{cu})$, $f^{-n}(\gamma)$ is a cu-admissible curve and*

$$(4.1) \quad \sup_{p, q \in \gamma} \frac{\|Tf^{-n}|_{T_p\gamma}\|}{\|Tf^{-n}|_{T_q\gamma}\|} \leq K.$$

Similarly, for any $n \geq 1$ and any cs-admissible curve σ in $\bigcap_{i=0}^n f^{-i}(V^{cs})$, $f^n(\sigma)$ is a cs-admissible curve and

$$(4.2) \quad \sup_{p, q \in \sigma} \frac{\|Tf^n|_{T_p\sigma}\|}{\|Tf^n|_{T_q\sigma}\|} \leq K.$$

A proof of Proposition 4.1 is given in Section 4.7.

(Standing hypotheses for the rest of the paper): $K \in (1, 2)$ is sufficiently close to 1, $\theta > 0$ is sufficiently small, $\lambda_u, \lambda_c, \lambda'_c, \lambda_s, \nu_u, \nu_c, \nu'_c, \nu_s \in \mathbb{R}$ satisfy (3.4), (3.5), and $f \in \text{Diff}^2(\mathbb{R}^3)$ is sufficiently C^2 -close to f_0 for which the conclusions of Propositions 3.1, 3.2, 3.3, 4.1 hold. In addition, $\lambda_c - \lambda'_c$ and $\nu_c - \nu'_c$ are sufficiently small, which means that λ_c, λ'_c are sufficiently close to $\lambda_{0,c}$ and ν_c, ν'_c are sufficiently close to $\nu_{0,c}$.

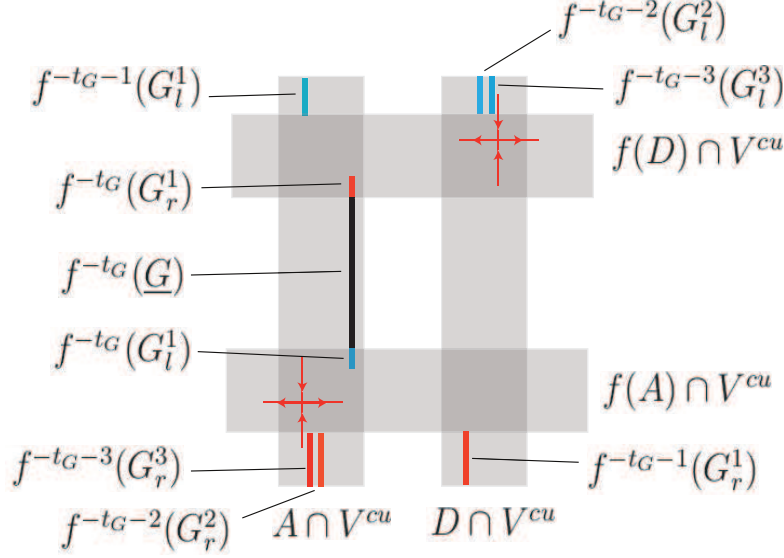


FIGURE 9. Locations of $f^{-t_G-n}(G^n)$, $f^{-t_G-n}(G_l^n)$ ($0 \leq n \leq 3$) and the fixed saddles in A , D .

4.2. Lower bounds on local thicknesses of the cross sections. As described in Section 3.5, we will consider the backward iteration of γ_c and the forward iteration of σ_c . Let ℓ denote the arc-length measure on $L \cup \bigcup_{n=0}^{\infty} f^{-n}(\gamma_c) \cup \bigcup_{n=0}^{\infty} f^n(\sigma_c)$ with respect to the induced metric.

Proposition 4.2. *If $\delta > 0$ and $f \in \text{Diff}^2(\mathbb{R}^3)$ is sufficiently C^2 -close to f_0 , then for any $x \in \gamma_c \cap \Gamma$ which is a boundary point of a bounded gap of $\gamma_c \cap \Gamma$,*

$$\tau(\gamma_c \cap \Gamma, x) > a_1 - \delta.$$

Similarly, for any $y \in \sigma_c \cap \Sigma$ which is a boundary point of a bounded gap of $\sigma_c \cap \Sigma$,

$$\tau(\sigma_c \cap \Sigma, y) > a_2 - \delta.$$

Proof. Since γ_c is a transverse intersection of two C^2 surfaces whose derivatives up to the second order can be made arbitrarily small by taking f sufficiently C^2 -close to f_0 , we may assume γ_c is a cu -admissible curve. For the same reason, we may assume σ_c is a cs -admissible curve.

To proceed, we need two lemmas on lengths of gaps.

Lemma 4.3. *For any bounded gap G of $\gamma_c \cap \Gamma$ we have*

$$\left| \frac{\ell(f^{-t_G}(\underline{G}))}{|E_c^*| - 2|A_c^*|} - 1 \right| \leq \theta \quad \text{and} \quad \left| \frac{\ell(f^{-t_G}(G \setminus \underline{G}))}{\kappa_1|A_c^*|} - 1 \right| \leq 2\theta.$$

Similarly, for any bounded gap H of $\sigma_c \cap \Sigma$ we have

$$\left| \frac{\ell(f^{u_H}(\underline{H}))}{|F_c| - 2|B_c|} - 1 \right| \leq \theta \quad \text{and} \quad \left| \frac{\ell(f^{u_H}(H \setminus \underline{H}))}{\kappa_2|B_c|} - 1 \right| \leq 2\theta.$$

Proof. Let G be a bounded gap of $\gamma_c \cap \Gamma$. Since γ_c is tangent to $\mathcal{C}^c(\theta)$, so is G . From Proposition 3.1, the curve $f^{-t_G}(\underline{G})$ is tangent to $\mathcal{C}^c(\theta)$, and joins two points

in the boundaries of the two connected components of $f(V^{cu})$. This implies the first inequality in Lemma 4.3.

For each $n \geq 1$, we define

$$G_r^n = [f(A)^{n-1}f(D)\omega^-(G)] \setminus [f(A)^n f(D)\omega^-(G)] \cup [f(D)f(A)^{n-1}f(D)\omega^-(G)],$$

and

$$G_l^n = [f(D)^{n-1}f(A)\omega^-(G)] \setminus ([f(A)f(D)^{n-1}f(A)\omega^-(G)] \cup [f(D)^n f(A)\omega^-(G)]).$$

We have

$$G \setminus \underline{G} = \bigcup_{n=1}^{\infty} (G_r^n \cup G_l^n).$$

From Proposition 3.1, $f^{-i}(G_r^n)$, $f^{-i}(G_l^n)$ are tangent to $\mathcal{C}^c(\theta)$ for $0 \leq i \leq t_G + n$, and $f^{-t_G-n}(G_r^n)$, $f^{-t_G-n}(G_l^n)$ stretch across the connected components of $V^{cu} \setminus f(V^{cu})$ intersecting $A_u \times \partial A_c \times A_s$ or $D_u \times \partial D_c \times D_s$ as in FIGURE 9. This implies

$$\left| \frac{\ell(f^{-t_G-n}(G_r^n \cup G_l^n))}{|A_c| - |E_c^*|} - 1 \right| \leq \theta.$$

From (3.7) in Proposition 3.2(a), we have

$$\lambda_c^n \leq \frac{\ell(f^{-t_G}(G_r^n))}{\ell(f^{-t_G-n}(G_r^n))} \leq \lambda_c^n \quad \text{and} \quad \lambda_c^n \leq \frac{\ell(f^{-t_G}(G_l^n))}{\ell(f^{-t_G-n}(G_l^n))} \leq \lambda_c^n.$$

Combining these inequalities yields

$$(4.3) \quad (1 - \theta)\lambda_c^n \leq \frac{\ell(f^{-t_G}(G_r^n \cup G_l^n))}{|A_c| - |E_c^*|} \leq (1 + \theta)\lambda_c^n.$$

If $\lambda_c - \lambda'_c$ is sufficiently small, then summing (4.3) over all $n \geq 1$ and combining the result with $\lambda_{0,c}/(1 - \lambda_{0,c}) = |A_c^*|/(|A_c| - |A_c^*|)$, we obtain the second inequality in Lemma 4.3. Proofs of the remaining two are analogous. \square

Lemma 4.4. *For any pair G, G' of different bounded gaps of $\gamma_c \cap \Gamma$ such that $[\omega^-(G)] \supset G'$, we have $\ell(G) > \ell(G')$. Similarly, for any pair H, H' of different bounded gaps of $\sigma_c \cap \Sigma$ such that $[\omega^+(H)] \supset H'$, we have $\ell(H) > \ell(H')$.*

Proof. Let G, G' be bounded gaps of $\gamma_c \cap \Gamma$ as in the first assertion of the lemma. We have $t_G < t_{G'}$. Using (4.1) in Proposition 4.1 and $\ell(f^{-t_G}(G')) \leq \lambda_c^{t_{G'}-t_G} \ell(f^{-t_{G'}}(G'))$ which follows from (3.7) in Proposition 3.2(a), we have

$$\frac{\ell(G)}{\ell(G')} \geq K^{-1} \frac{\ell(f^{-t_G}(G))}{\ell(f^{-t_G}(G'))} \geq K^{-1} \lambda_c^{-t_{G'}+t_G} \frac{\ell(f^{-t_G}(G))}{\ell(f^{-t_{G'}}(G'))}.$$

Applying Lemma 4.3 to the last fraction we obtain

$$\frac{\ell(G)}{\ell(G')} \geq \frac{K^{-1} 1 - \theta |E_c^*| - 2|A_c^*| + \kappa_1 |A_c^*|}{\lambda_c 1 + \theta |E_c^*| - 2|A_c^*| + \kappa_1 |A_c^*|}.$$

Since $K^{-1}\lambda_c^{-1} > 1$, the right-hand side is strictly larger than 1. We have verified the first assertion of Lemma 4.4. A proof of the second one is analogous. \square

Returning to the proof of Proposition 4.2, we only give a proof of the first inequality since that of the second one is analogous. Let G be a bounded gap of $\gamma_c \cap \Gamma$ and let $x \in \partial G$. With no loss of generality we may assume $f^{-t_G}(x) \in f(A)$. Let I denote the bridge of $\gamma_c \cap \Gamma$ at x . Let \tilde{I} denote the connected component of $[\omega^-(G)] \setminus ([f(A)\omega^-(G)] \cup [f(D)\omega^-(G)])$ that contains x . Let I' denote the minimal curve in γ_c that contains x and all gaps of $\gamma_c \cap \Gamma$ contained in $[f(A)\omega^-(G)]$. Clearly we have $I' \subset \tilde{I}$. Since $f^{-t_G}(\tilde{I})$ is tangent to $\mathcal{C}^c(\theta)$, we have

$$(4.4) \quad \left| \frac{\ell(f^{-t_G}(\tilde{I}))}{|A_c^*|} - 1 \right| \leq \theta.$$

A similar reasoning to the proof of Lemma 4.3 shows that

$$(4.5) \quad \frac{\ell(f^{-t_G}(\tilde{I} \setminus I'))}{\kappa_1 |A_c^*|} \leq 1 + 2\theta.$$

Using (4.4), (4.5) and $I' \subset I$ which follows from Lemma 4.4 and the definition of bridge in Section 2.2, we obtain

$$\frac{\ell(I)}{\ell(G)} \geq \frac{\ell(I')}{\ell(G)} \geq K^{-1} \frac{\ell(f^{-t_G}(I'))}{\ell(f^{-t_G}(G))} \geq K^{-1} \frac{(1 - \theta)|A_c^*| - (1 + 2\theta)\kappa_1|A_c^*|}{(1 + \theta)(|E_c^*| - 2|A_c^*|) + (1 + 2\theta)\kappa_1|A_c^*|}.$$

If $K - 1$ and θ are sufficiently small, the first inequality in Proposition 4.2 holds. \square

4.3. Lipschitz continuity of holonomy maps. For a pair γ, γ' of cu -admissible curves, we write $\gamma \sim \gamma'$ if $\Pi^u(\gamma \cap \mathcal{F}^u(\Gamma)) = \Pi^u(\gamma' \cap \mathcal{F}^u(\Gamma))$. If $\gamma \sim \gamma'$, define $\Pi_{\gamma\gamma'}^u: \gamma \cap \mathcal{F}^u(\Gamma) \rightarrow \gamma' \cap \mathcal{F}^u(\Gamma)$ by $\Pi_{\gamma\gamma'}^u(p) \in \gamma' \cap \mathcal{F}^u(p)$. Note that $\Pi_{\gamma\gamma'}^u$ is invertible and the inverse is $\Pi_{\gamma'\gamma}^u$. Similarly, for a pair σ, σ' of cs -admissible curves, we write $\sigma \sim \sigma'$ if $\Pi^s(\sigma \cap \mathcal{F}^s(\Sigma)) = \Pi^s(\sigma' \cap \mathcal{F}^s(\Sigma))$. If $\sigma \sim \sigma'$, define $\Pi_{\sigma\sigma'}^s: \sigma \cap \mathcal{F}^s(\Sigma) \rightarrow \sigma' \cap \mathcal{F}^s(\Sigma)$ by $\Pi_{\sigma\sigma'}^s(q) \in \sigma' \cap \mathcal{F}^s(q)$.

The next proposition asserts that the above maps are bi-Lipschitz continuous, and the Lipschitz constants can be made arbitrarily close to 1 by taking f which is sufficiently C^2 -close to f_0 .

Proposition 4.5. *For any $K \in (1, 2)$ there exists $\theta \in (0, 1/10)$ such that if $f \in \text{Diff}^2(\mathbb{R}^3)$ is sufficiently C^2 -close to f_0 , then for any pair γ, γ' of cu -admissible curves with $\gamma \sim \gamma'$ we have*

$$\sup_{\substack{p, q \in \gamma \cap \mathcal{F}^u(\Gamma) \\ p \neq q}} \frac{d(\Pi_{\gamma\gamma'}^u(p), \Pi_{\gamma\gamma'}^u(q))}{d(p, q)} \leq K^4.$$

Similarly, for any pair σ, σ' of two cs -admissible curves with $\sigma \sim \sigma'$,

$$\sup_{\substack{p, q \in \sigma \cap \mathcal{F}^s(\Sigma) \\ p \neq q}} \frac{d(\Pi_{\sigma\sigma'}^s(p), \Pi_{\sigma\sigma'}^s(q))}{d(p, q)} \leq K^4.$$

A proof of Proposition 4.5 is given in Section 4.8.

4.4. Lower bounds on thicknesses the Cantor sets. We now obtain the following lower bounds on the thicknesses of Ω_1 and Ω_2 in (3.13).

Proposition 4.6. *If $\delta > 0$ and $f \in \text{Diff}^2(\mathbb{R}^3)$ is sufficiently C^2 -close to f_0 , then*

$$\tau(\Omega_1) \geq a_1 - \delta \quad \text{and} \quad \tau(\Omega_2) \geq a_2 - \delta.$$

Proof. Let G be a bounded gap of Ω_1 and let $x \in \partial G$. Let I denote the bridge of Ω_1 at x . Let G' denote the bounded gap of $\gamma_c \cap \Gamma$ such that $\partial G = \Pi^u(\partial G')$. Let I' denote the bridge of $\gamma_c \cap \Gamma$ at $y \in \partial G'$ such that $\Pi^u(y) = x$. By Propositions 4.2 and 4.5,

$$\tau(\Omega_1, x) = \frac{\ell(I)}{\ell(G)} \geq K^{-8} \frac{1}{(1+\theta)^2} \frac{\ell(I')}{\ell(G')} \geq K^{-8} \frac{1}{(1+\theta)^2} \left(a_1 - \frac{\delta}{2} \right) > a_1 - \delta.$$

Since G is an arbitrary bounded gap of Ω_1 and x is an arbitrary point of ∂G , we obtain $\tau(\Omega_1) \geq a_1 - \delta$. A proof of the second inequality is analogous. \square

4.5. Proof of Theorem A. From Proposition 4.6 and Lemma 2.2 together with the assumption $a_1 a_2 > 1$, \mathcal{H} is non-empty. The upper bounds on $\dim_{\mathbb{H}} W^u(\Gamma)$ and $\dim_{\mathbb{H}} W^s(\Sigma)$ follow from Proposition 4.5. The lower bounds are consequences of Propositions 4.5, 4.6 and the result of Newhouse [20] (see also [21, p.77, Proposition 5]) which asserts that the Hausdorff dimension of a Cantor set in \mathbb{R} with thickness τ is at least $\log 2 / \log(2 + 1/\tau)$.

We claim that there exist countably many C^1 curves $\gamma_1, \gamma_2, \dots$ in $V^{cu} \cap \bigcup_{n=0}^{\infty} f^{-n}(V^{cs})$ which are tangent to $\mathcal{C}^c(\theta)$ and satisfy $\mathcal{H} \subset \bigcup_{k=1}^{\infty} \bigcup_{n=1}^{\infty} f^n(\gamma_k \cap \mathcal{F}^u(\Gamma))$. Propositions 3.1 and 3.2 together imply that each $\gamma_k \cap \mathcal{F}^u(\Gamma)$ is covered by 2^n curves in γ_k of length at most λ_c^n , for all $n \geq 1$, and hence $\dim_{\mathbb{H}}(\gamma_k \cap \mathcal{F}^u(\Gamma)) \leq -\log 2 / \log \lambda_c < 1$. By the countable stability and the invariance of Hausdorff dimension under bi-Lipschitz homeomorphisms, we obtain $\dim_{\mathbb{H}} \mathcal{H} \leq -\log 2 / \log \lambda_c < 1$. In particular, \mathcal{H} is totally disconnected [10, Proposition 2.5].

It is left to prove the claim. For each $p \in \mathcal{H}$, there are integers n_0, n_1 with $n_0 < 0 \leq n_1$ such that $f^n(p) \in V^{cu} \cap \mathcal{F}^u(\Gamma)$ for $n \leq n_0$ and $f^n(p) \in V^{cs} \cap \mathcal{F}^s(\Sigma)$ for $n \geq n_1$. Set $N = n_1 - n_0$. By Proposition 3.2, $f^N(V^{cu})$ intersects V^{cs} transversely at $f^{n_1}(p)$, and so $f^N(V^{cu}) \cap V^{cs}$ contains a curve which is tangent to $\mathcal{C}^c(\theta)$ and contains $f^{n_1}(p)$. We apply Proposition 3.2 to f^{-N} to obtain a curve in $V^{cu} \cap f^{-N}(V^{cs})$ which is tangent to $\mathcal{C}^c(\theta)$ and contains $f^{n_0}(p)$. The proof of the claim is complete. \square

4.6. Proof of Theorem C. In view of Theorem 2.3, we fix $T_0 > 1$ such that if S_1, S_2 are two interleaved Cantor sets in \mathbb{R} with $\tau(S_1) > T_0/2, \tau(S_2) > T_0/2$ then $S_1 \cap S_2$ contains a Cantor set whose thickness is at least $(6/7)\sqrt{\min\{\tau(S_1), \tau(S_2)\}}$. Assume $\min\{a_1, a_2\} > T_0$. By Proposition 4.6, we obtain $\tau(\Omega_1) > T_0/2$ and $\tau(\Omega_2) > T_0/2$ for all f that is sufficiently C^2 -close to f_0 . Then

$$\tau(\Omega_1 \cap \Omega_2) \geq \frac{6}{7} \sqrt{\min\{\tau(\Omega_1), \tau(\Omega_2)\}} > \frac{5}{6} \sqrt{\min\{a_1, a_2\}}.$$

Using Newhouse's lower bound as in the proof of Theorem A, we obtain

$$\frac{1}{\dim_{\mathbb{H}} \mathcal{H}} - 1 < \frac{1}{2 \log 2} \frac{1}{\tau(\Omega_1 \cap \Omega_2)} < \frac{1}{\sqrt{\min\{a_1, a_2\}}},$$

as required. \square

4.7. Proof of Proposition 4.1. We consider iterations of planar maps $\varphi_1: \pi_1(R_1) \rightarrow \pi_1(R_1)$ and $\varphi_2: \pi_2(R_2) \rightarrow \pi_2(R_2)$ given by

$$(4.6) \quad \varphi_1 = \pi_1 \circ f^{-1} \circ (\pi_1|_{V^{cu}})^{-1} \quad \text{and} \quad \varphi_2 = \pi_2 \circ f \circ (\pi_2|_{V^{cs}})^{-1}.$$

Recall that V^{cu}, V^{cs} are C^2 surfaces, and so φ_1, φ_2 are of class C^2 . Let $J\varphi_1, J\varphi_2$ denote the Jacobian matrices of φ_1, φ_2 with respect to the canonical basis. Write

$$J\varphi_1 = \begin{pmatrix} \Phi_{uu} & \Phi_{uc} \\ \Phi_{cu} & \Phi_{cc} \end{pmatrix} \quad \text{and} \quad J\varphi_2 = \begin{pmatrix} \Phi_{cc} & \Phi_{cs} \\ \Phi_{sc} & \Phi_{ss} \end{pmatrix},$$

and put

$$J^2\varphi_1 = \begin{pmatrix} \nabla_1\Phi_{uu} & \nabla_1\Phi_{uc} \\ \nabla_1\Phi_{cu} & \nabla_1\Phi_{cc} \end{pmatrix} \quad \text{and} \quad J^2\varphi_2 = \begin{pmatrix} \nabla_2\Phi_{cc} & \nabla_2\Phi_{cs} \\ \nabla_2\Phi_{sc} & \nabla_2\Phi_{ss} \end{pmatrix},$$

where $\nabla_1 = (\partial_{x_u}, \partial_{x_c})$ and $\nabla_2 = (\partial_{x_c}, \partial_{x_s})$. Replacing f if necessary we may assume

$$(4.7) \quad \sup_{\pi_1(R_1)} \|J\varphi_1\| < (1 + \theta)\lambda_{0,c}^{-1} \quad \text{and} \quad \sup_{\pi_2(R_2)} \|J\varphi_2\| < (1 + \theta)\nu_{0,c},$$

$$(4.8) \quad \sup_{\pi_1(R_1)} |\det J\varphi_1| < (1 + \theta)\lambda_{0,u}^{-1}\lambda_{0,c}^{-1} \quad \text{and} \quad \sup_{\pi_2(R_2)} |\det J\varphi_2| < (1 + \theta)\nu_{0,c}\nu_{0,s},$$

$$(4.9) \quad \sup_{\pi_1(R_1)} \|J^2\varphi_1\| \leq \frac{\theta\lambda_{0,c}}{1 + \theta} \quad \text{and} \quad \sup_{\pi_2(R_2)} \|J^2\varphi_2\| \leq \frac{\theta\nu_{0,c}^{-1}}{1 + \theta}.$$

Let $n \geq 1$ and let γ be a cu -admissible curve as in Proposition 4.1. From the assumption $\gamma \subset \bigcap_{i=0}^n f^i(V^{cu})$ and Proposition 3.1, the curve $f^{-i}(\gamma)$ is tangent to $C^c(\theta)$ for $0 \leq i \leq n$. To estimate curvatures, we parametrize $\gamma_0 = \pi_1(\gamma)$ by arc length s and put $\gamma_{i+1}(s) = \varphi_1 \circ \gamma_i(s)$ inductively for $i = 0, \dots, n-1$. Then

$$\dot{\gamma}_{i+1}(s) = M_i(s)\dot{\gamma}_i(s) \quad \text{and} \quad \ddot{\gamma}_{i+1}(s) = N_i(s)\dot{\gamma}_i(s) + M_i(s)\ddot{\gamma}_i(s),$$

where

$$M_i(s) = J\varphi_1(\gamma_i(s)) \quad \text{and} \quad N_i(s) = \begin{pmatrix} \langle \nabla\Phi_{uu}, \dot{\gamma}_i(s) \rangle & \langle \nabla\Phi_{uc}, \dot{\gamma}_i(s) \rangle \\ \langle \nabla\Phi_{cu}, \dot{\gamma}_i(s) \rangle & \langle \nabla\Phi_{cc}, \dot{\gamma}_i(s) \rangle \end{pmatrix},$$

and the single and double dots denote the first- and the second-order derivatives on s respectively, and $\langle \cdot, \cdot \rangle$ denotes the inner product. Let $\kappa_i(s)$ denote the curvature of γ_i at $\gamma_i(s)$. We have

$$(4.10) \quad \begin{aligned} \kappa_{i+1}(s) &\leq \frac{\|M_i(s)\dot{\gamma}_i(s) \times N_i(s)\dot{\gamma}_i(s)\| + |\det M_i(s)| \cdot \|\dot{\gamma}_i(s) \times \ddot{\gamma}_i(s)\|}{\|\dot{\gamma}_{i+1}(s)\|^3} \\ &\leq \frac{\|\dot{\gamma}_i(s)\|^3}{\|\dot{\gamma}_{i+1}(s)\|^3} \left(\|M_i(s)\| \|N_i(s)\| \frac{1}{\|\dot{\gamma}_i(s)\|} + |\det M_i(s)| \kappa_i(s) \right) \\ &\leq \frac{\theta}{8} + \frac{1 + \theta}{8} \kappa_i(s). \end{aligned}$$

By virtue of (4.7), (4.8), (4.9), the last inequality in (4.10) holds if $\lambda_c - \lambda'_c$ is sufficiently small. Using (4.10) inductively and combining the result with $\kappa_0(s) \leq \theta$ yields

$$(4.11) \quad \kappa_n(s) \leq \frac{\theta}{8} \sum_{i=0}^{n-1} \left(\frac{1+\theta}{8} \right)^i + \left(\frac{1+\theta}{8} \right)^n \kappa_0(s) < \theta.$$

Since $\pi_1(f^{-n}(\gamma(s))) = \gamma_n(s)$, from (4.11) it follows that $f^{-n}(\gamma)$ is a cu -admissible curve as required in Proposition 4.1.

Let $0 \leq i \leq n-1$. For all parameter values s, t we have

$$\begin{aligned} \left| \frac{\|\dot{\gamma}_{i+1}(s)\|}{\|\dot{\gamma}_i(s)\|} - \frac{\|\dot{\gamma}_{i+1}(t)\|}{\|\dot{\gamma}_i(t)\|} \right| &\leq \theta \|M_i(t)\| |\gamma_i(s) - \gamma_i(t)| + \|M_i(s) - M_i(t)\| \\ &\leq \sqrt{\theta} |\gamma_i(s) - \gamma_i(t)| \leq 2\sqrt{\theta} \lambda'_c{}^{n-i}, \end{aligned}$$

where $|\gamma_i(s) - \gamma_i(t)|$ denotes the Euclidean distance between $\gamma_i(s)$ and $\gamma_i(t)$. We have used (4.11) for the first inequality, (4.8) and (4.9) for the second one. The last inequality follows from (3.7) in Proposition 3.2. If $\theta < ((1/4) \log K)^2$ then

$$\log \frac{\|\dot{\gamma}_n(s)\|}{\|\dot{\gamma}_n(t)\|} \leq \sum_{i=0}^{n-1} \left| \frac{\|\dot{\gamma}_{i+1}(s)\|}{\|\dot{\gamma}_i(s)\|} - \frac{\|\dot{\gamma}_{i+1}(t)\|}{\|\dot{\gamma}_i(t)\|} \right| < 2\sqrt{\theta} < \frac{1}{2} \log K.$$

Since $f^{-n}(\gamma) = (\pi_1|_{V^{cu}})^{-1} \circ \varphi_1^n \circ \pi_1(\gamma)$ and the curves $\gamma, f^{-n}(\gamma)$ are tangent to $C^{cu}(\theta)$, we obtain (4.1) if θ is sufficiently small. Exchanging the roles of φ_1, φ_2 and proceeding in the same way we obtain (4.2). \square

4.8. Proof of Proposition 4.5. Let f be sufficiently C^2 -close to f_0 such that for any pair γ, γ' of cu -admissible curves with $\gamma \sim \gamma'$,

$$(4.12) \quad \sup_{\substack{p, q \in \gamma \cap \mathcal{F}^u(\Gamma) \\ p \neq q}} \frac{d(f^{-n(p,q)}(\Pi_{\gamma\gamma'}^u(p)), f^{-n(p,q)}(\Pi_{\gamma\gamma'}^u(q)))}{d(f^{-n(p,q)}(p), f^{-n(p,q)}(q))} \leq K.$$

Here, $n(p, q)$ denotes the non-negative minimal integer such that $f^{-n(p,q)}(p)$ and $f^{-n(p,q)}(q)$ are not contained in the same connected component of $f(V^{cu})$. The first inclusion in (3.11) implies that $n(p, q)$ makes sense.

Let γ, γ' be cu -admissible curves such that $\gamma \sim \gamma'$. Let $p, q \in \gamma \cap \mathcal{F}^u(\Gamma)$, $p \neq q$ and put $n = n(p, q)$. Note that $\gamma \cup \gamma' \in \bigcap_{k=0}^n f^k(R_1)$. From (4.12) and the mean value theorem, there exist $\xi \in \gamma$ and $\eta \in \gamma'$ such that

$$\frac{d(\Pi_{\gamma\gamma'}^u(p), \Pi_{\gamma\gamma'}^u(q))}{d(p, q)} \leq K \frac{\|Tf^{-n}|_{T_\xi\gamma}\|}{\|Tf^{-n}|_{T_\eta\gamma'}\|}.$$

Put $p' = \Pi_{\gamma\gamma'}^u(p)$. The chain rule and (4.1) together imply

$$\frac{\|Tf^{-n}|_{T_\xi\gamma}\|}{\|Tf^{-n}|_{T_\eta\gamma'}\|} = \frac{\|Tf^{-n}|_{T_\xi\gamma}\|}{\|Tf^{-n}|_{T_p\gamma}\|} \frac{\|Tf^{-n}|_{T_p\gamma}\|}{\|Tf^{-n}|_{T_{p'}\gamma'}\|} \frac{\|Tf^{-n}|_{T_{p'}\gamma'}\|}{\|Tf^{-n}|_{T_\eta\gamma'}\|} \leq K^3 \frac{\|Tf^{-n}|_{T_p\gamma}\|}{\|Tf^{-n}|_{T_{p'}\gamma'}\|}.$$

Hence, for the proof of the first inequality in Proposition 4.5 it suffices to show

$$(4.13) \quad \frac{\|Tf^{-n}|_{T_p\gamma}\|}{\|Tf^{-n}|_{T_{p'}\gamma'}\|} \leq K.$$

To show (4.13), we use the map φ_1 in (4.6). Let v_0, v'_0 be unit vectors at $\pi_1(p_0)$ and $\pi_1(p'_0)$ which are tangent to $\pi_1(\gamma)$ and $\pi_1(\gamma')$ respectively. Put $M_i = J_{\pi_1(p_{-i})}\varphi_1$, $M'_i = J_{\pi_1(p'_{-i})}\varphi_1$ and $v_{i+1} = M_i v_i$, $v'_i = M'_i v'_i$ inductively for $i = 0, \dots, n-1$, where $p_{-i} = f^{-i}(p)$ and $p'_{-i} = f^{-i}(p')$. Put $s_i = \arccos\langle v_i, v'_i \rangle$. We set $c_0 = \lambda_c^2 \lambda_{0,c}^{-1}$ and assume $\lambda_c - \lambda'_c$ is sufficiently small so that $c_0 < 1$.

For $0 \leq i \leq n-1$ we have

$$(4.14) \quad \left| \frac{\|v_{i+1}\|}{\|v_i\|} - \frac{\|v'_{i+1}\|}{\|v'_i\|} \right| \leq \theta |p_{-i} - p'_{-i}| + \|M'_i\| s_i \leq \frac{\theta}{2^{i-1}} + (1+\theta)\lambda_{0,c}^{-1} s_i,$$

and if $i \geq 1$ then

$$(4.15) \quad \begin{aligned} s_i &= \frac{\|M_{i-1}v_{i-1} \times M_{i-1}v'_{i-1} + M_{i-1}v_{i-1} \times (M'_{i-1} - M_{i-1})v'_{i-1}\|}{\|v_i\| \|v'_i\|} \\ &\leq \frac{\|v_{i-1}\|}{\|v_i\|} \frac{\|v'_{i-1}\|}{\|v'_i\|} (|\det M_{i-1}| s_{i-1} + \theta |p_{-i+1} - p'_{-i+1}|) \\ &\leq \frac{\|v_{i-1}\|}{\|v_i\|} \frac{\|v'_{i-1}\|}{\|v'_i\|} ((1+\theta)\lambda_{0,u}^{-1} \lambda_{0,c}^{-1} s_{i-1} + 2\theta \lambda_u^{-i+1}) \\ &\leq c_0(1+\theta)\lambda_{0,u}^{-1} s_{i-1} + \frac{\theta}{2} \lambda_u^{-i+1} \leq \frac{1+\theta}{2} s_{i-1} + \frac{\theta}{2^i}. \end{aligned}$$

We have used (4.9) to estimate the second cross product in (4.15). We have used (4.8), and (3.6), (3.7) in Proposition 3.2 to deduce $|p_{-i+1} - p'_{-i+1}| \leq 2\lambda_u^{-i+1}$, $\|v_i\| \geq 2\|v_{i-1}\|$ and $\|v'_i\| \geq 2\|v'_{i-1}\|$ for the second and third inequalities in (4.15). Using (4.15) inductively and then $s_0 \leq 2\theta$ yields

$$(4.16) \quad s_i \leq 2\theta \left(\frac{1+\theta}{2}\right)^i + \frac{\theta}{2^i} \sum_{k=0}^{i-1} \left(\frac{1+\theta}{2}\right)^k \leq 2\theta \left(\frac{1+\theta}{2}\right)^i + \frac{3\theta}{2^i},$$

for $0 \leq i \leq n-1$. Plugging (4.16) into (4.14) and summing the result yields

$$\log \frac{\|v_n\|}{\|v'_n\|} \leq \sum_{i=0}^{n-1} \left| \frac{\|v_{i+1}\|}{\|v_i\|} - \frac{\|v'_{i+1}\|}{\|v'_i\|} \right| \leq \frac{1}{2} \log K.$$

Since $f^{-n}(\gamma) = (\pi_1|_{V^{cu}})^{-1} \circ \varphi_1^n \circ \pi_1(\gamma)$, the curves $\gamma, f^{-n}(\gamma)$ are tangent to $\mathcal{C}^{cu}(\theta)$, and the same for γ' , we obtain (4.13). Exchanging the roles of φ_1, φ_2 and proceeding in the same way, we obtain the second inequality in Proposition 4.5. \square

APPENDIX

Under additional conditions on the heterochaos horseshoe map f_0 , one can obtain C^1 -robust heterodimensional cycles. The following was pointed to us by Asaoka in a personal communication.

Let $f_0 \in \text{Diff}^1(\mathbb{R}^3)$ be a heterochaos horseshoe map as in Section 1.1. We assume:

- (i) $(|A_c^*|/|A_c|)(|B_c|/|B_c^*|) < 1$.
- (ii) $A_c = D_c \subset \text{int}(f_0^2(A \cap f_0^{-1}(B)))_c \cup \text{int}(f_0^2(D \cap f_0^{-1}(C)))_c$, where $\text{int}(\cdot)$ denotes the interior operation.

The restriction of f_0^2 to $(A \cap f_0^{-1}(B)) \cup (D \cap f_0^{-1}(C))$ is essentially the same as the affine model generating a blender explained in [8, Section 6.2.1] (see also [2, Example 2.10]). Condition (i) implies that the restriction of f_0^2 to $A \cap f_0^{-1}(B)$ and the restriction of f_0^2 to $D \cap f_0^{-1}(C)$ are uniformly contracting in the x_c -direction (recall (3.1)). Condition (ii) implies the so-called “overlapping condition”. It is easy to check that (i) (ii) are compatible with the assumption $a_1 a_2 > 1$ in Theorems A and B. The set

$$\Psi = \bigcap_{n=-\infty}^{\infty} f_0^{-2n}((A \cap f_0^{-1}(B)) \cup (D \cap f_0^{-1}(C)))$$

is a hyperbolic set for f_0^2 of index 1, and it is a d_{cu} -unstable blender. Let Q denote the fixed saddle of f_0 in C . Then f_0 has a C^1 -robust heterodimensional cycle associated to $\Psi \cup f_0(\Psi)$ and $\{Q\}$. The hyperbolic set $\Psi \cup f_0(\Psi)$ for f_0 is disjoint from another hyperbolic set $\Gamma(f_0)$ for f_0 .

Acknowledgments. We thank anonymous referees for their useful comments, and Masayuki Asaoka for fruitful discussions. This research was supported by the JSPS KAKENHI 19KK0067, 19K21835, 20H01811 and JPJSBP 120229913.

REFERENCES

- [1] M. Asaoka, *Hyperbolic sets exhibiting C^1 -persistent homoclinic tangency for higher dimensions*, Proc. Amer. Math. Soc. 136 (2008), pp. 677–686.
- [2] M. Asaoka, *Stable intersection of Cantor sets in higher dimension and robust homoclinic tangency of the largest codimension*, Trans. Amer. Math. Soc. 375 (2022), pp. 873–908.
- [3] A. Avila, S. Crovisier, and A. Wilkinson, *C^1 density of stable ergodicity*, Adv. Math. 379 (2021), 107496.
- [4] P. G. Barrientos and S. A. Pérez, *Robust heteroclinic tangencies*, Bull. Braz. Math. Soc. 51 (2020), pp. 1041–1056.
- [5] C. Bonatti, S. Crovisier, L. J. Díaz, and A. Wilkinson, *What is ... a blender?*, Notices of the AMS 63 (2016), pp. 1175–1178.
- [6] C. Bonatti and L. J. Díaz, *Persistent nonhyperbolic transitive diffeomorphisms*, Ann. of Math. 143 (1996), pp. 357–396.
- [7] C. Bonatti and L. J. Díaz, *Robust heterodimensional cycles and C^1 -generic dynamics*, J. Inst. Math. Jussieu 7 (2008), pp. 469–525.
- [8] C. Bonatti, L. J. Díaz, and M. Viana, *Dynamics beyond uniform hyperbolicity*, Encyclopaedia of Mathematical Sciences, 102 (2004) (Berlin:Springer)
- [9] L. J. Díaz, K. Gelfert, M. Gröger, and T. Jäger, *Hyperbolic graphs: critical regularity and box dimension*, Trans. Amer. Math. Soc. 371 (2019), pp. 8535–8585.
- [10] K. Falconer, *Fractal Geometry (Mathematical foundations and applications)*. Second edition. Wiley, Chichester, 2003.
- [11] N. Fenichel, *Persistence and smoothness of invariant manifolds for flows*, Indiana Univ. Math. J. 21 (1971/1972), pp. 193–226.
- [12] S. V. Gonchenko, L. P. Shil’nikov, and D. V. Turaev, *On the existence of Newhouse regions in a neighborhood of systems with a structurally unstable homoclinic Poincaré curve (the multidimensional case)*, Russ. Acad. Sci. Dokl. Math. 47 (1993), pp. 268–273.
- [13] M. W. Hirsch, C. C. Pugh, and M. Shub, *Invariant manifolds*, Lecture Notes in Mathematics 583 Springer-Verlag, Berlin-New York, 1977.
- [14] B. R. Hunt, I. Kan, and J. A. Yorke, *When Cantor sets intersect thickly*, Trans. Amer. Math. Soc. 339 (1993), pp. 869–888.

- [15] H. McCluskey and A. Manning, *Hausdorff dimension for horseshoes*, Ergodic Theory Dynamical Systems 3 (1983), pp. 251–260.
- [16] C. G. Moreira, *There are no C^1 stable intersections of regular Cantor sets*, Acta Math. 206 (2011), pp. 311–323.
- [17] C. G. Moreira and J.-C. Yoccoz, *Stable intersections of regular Cantor sets with large Hausdorff dimensions*, Ann. of Math. 154 (2001), pp. 45–96.
- [18] S. E. Newhouse, *Nondensity of Axiom A(a) on S^2* , 1970 Global Analysis (Proc. Sympos. Pure Math., Vol. XIV, Berkeley, Calif., 1968) pp. 191–202 Amer. Math. Soc., Providence, R.I. 57.48
- [19] S. E. Newhouse, *Diffeomorphisms with infinitely many sinks*, Topology 13 (1974), pp. 9–18.
- [20] S. E. Newhouse, *The abundance of wild hyperbolic sets and non-smooth stable sets for diffeomorphisms*, Inst. Hautes Études Sci. Publ. Math. 50 (1979), pp. 101–151.
- [21] J. Palis and F. Takens, *Hyperbolicity and sensitive chaotic dynamics at homoclinic bifurcations*. Cambridge studies in advanced mathematics 35, Cambridge University Press 1993.
- [22] J. Palis and M. Viana, *On the continuity of Hausdorff dimension and limit capacity for horseshoes*, Dynamical Systems, Valparaiso (1986), pp. 150–160, Lecture Notes in Math. 1331 Springer, Berlin, 1988.
- [23] J. Palis and M. Viana, *High dimension diffeomorphisms displaying infinitely many periodic attractors*, Ann. of Math. 140 (1994), pp. 207–250.
- [24] C. Robinson, *Bifurcation to infinitely many sinks*, Commun. Math. Phys. 90 (1983), pp. 433–459.
- [25] N. Romero, *Persistence of homoclinic tangencies in higher dimensions*, Ergodic Theory and Dynamical Systems 15 (1995), pp. 735–757.
- [26] Y. Saiki, H. Takahasi, and J. A. Yorke, *Piecewise linear maps with heterogeneous chaos*, Nonlinearity 34 (2021), pp. 5744–5761.
- [27] K. Simon, B. Solomyak, *Hausdorff dimension for horseshoes in \mathbb{R}^3* , Ergodic Theory Dynamical Systems 19 (1999), pp. 1343–1363.
- [28] F. Takens, *Limit capacity and Hausdorff dimension of dynamically defined Cantor sets*, Dynamical Systems, Valparaiso (1986), pp. 196–212, Lecture Notes in Math. 1331 Springer, Berlin, 1988.
- [29] R. Ures, *Abundance of hyperbolicity in the C^1 topology*, Ann. Sci. École Norm. Sup. 28 (1995), pp. 747–760.
- [30] R. F. Williams, *How big is the intersection of two thick Cantor sets?*, Continuum Theory and Dynamical Systems (Arcata, CA, 1989), pp. 163–175, Contemp. Math., 117 Amer. Math. Soc., Providence, RI, 1991.

GRADUATE SCHOOL OF BUSINESS ADMINISTRATION, HITOTSUBASHI UNIVERSITY, TOKYO, 186-8601, JAPAN

Email address: `yoshi.saiki@r.hit-u.ac.jp`

KEIO INSTITUTE OF PURE AND APPLIED SCIENCES (KIPAS), DEPARTMENT OF MATHEMATICS, KEIO UNIVERSITY, YOKOHAMA, 223-8522, JAPAN

Email address: `hiroki@math.keio.ac.jp`

INSTITUTE FOR PHYSICAL SCIENCE AND TECHNOLOGY AND MATHEMATICS AND PHYSICS DEPARTMENTS, UNIVERSITY OF MARYLAND COLLEGE PARK, MD 20742, USA

Email address: `yorke@umd.edu`