

A Novel Dynamic Peer-to-Peer Clustering Algorithm and Its Application to Aggregate Energy Storage Systems

Runfan Zhang, Branislav Hredzak, *Senior Member, IEEE*

Abstract—The proposed distributed dynamic clustering algorithm enables to group agents based on their pre-selected feature states. The clusters are determined by comparing the distance of the agents' current feature states with average estimates of the states in all clusters. The algorithm also provides average estimates of pre-selected auxiliary states that can be utilized for control purposes. Two example applications of the algorithm are introduced. In the first application, the algorithm is applied to a microgrid with distributed batteries that are controlled to achieve a common state of charge within a group. However, a random selection of the batteries' groups results in additional power losses during operation. The algorithm reduces the power losses by clustering the batteries based on the selected feature states: local loads and battery capacities, while the state of charges and output voltages are selected as auxiliary states for control purposes. In the second application, the algorithm is used to form a virtual energy storage from batteries distributed in a microgrid.

Index Terms—Distributed clustering, multi-agent, cluster, microgrid, battery energy storage, state of charge balancing, power loss reduction, voltage restoration.

I. INTRODUCTION

CLUSTERING is a division of data into groups with similar properties [1]. Various centralized clustering algorithms have been researched, such as k-means [2], hierarchical clustering [3], self-organization map [4] or expectation maximization clustering algorithms [5]. Besides, distributed clustering algorithm have been proposed for distributed data environment [6]. However, although the data is distributed, these algorithms require a main site for global clustering, with each data storage communicating with the main site through a centralized network [7]. In addition, all before-mentioned algorithms are clustering based on previously collected data and not on real-time system states. Therefore, these algorithms are inadequate for clustering multi-agent based systems communicating via a distributed network.

Microgrids are small-scale power networks that supply local loads in small geographical areas. The microgrid enables penetration of renewable energy sources, such as photovoltaic (PV) and wind generation, and energy storage [8]. To control the microgrid, the traditional hierarchical power systems control architecture can be applied [9]: primary, secondary and tertiary control levels. The primary control level applies droop control to provide proportional power sharing. Then, the secondary

control eliminates the voltage and/or frequency deviations caused by the droop control and, at the same time, provides accurate power sharing. Power flow objectives objectives are realized at the tertiary control level.

To improve the power quality and reliability in microgrids, a state of charge (SoC) balancing control strategy at the secondary control level was proposed for distributed energy storages (ESs) [9]. Not only the strategy maintains the SoCs of all ESs at the same level, but it can also provide a proportional power sharing between ESs after a balanced SoC is achieved. However, for a microgrid with a large number of heterogeneous ESs and different local loads, maintaining all ESs SoCs at the same level is not always the best option. This is because during and after the SoC balancing, the power network line currents inevitably result in power losses.

Literature on application of clustering algorithms in microgrids can be broadly divided into three categories. In the first category, power systems are clustered based on previous data profiles, such as 24 hour data profiles of loads and renewable energy generation [10]–[12]. The purpose of clustering is to achieve economical operation. The second category is based on stochastic modeling utilizing a one year data profile (365 days) and dividing the data into different probabilistic scenarios to deal with uncertainties [13], [14]. The last one defines a set of power systems in a geographical area without using any clustering algorithm [15]–[17]. Besides, clustering methods were used for partitioning a central network based on voltage source converter sensitivity matrices, voltage influence factors and merge matrices [18], and by finding a critical load [19]. However, all above clustering algorithms require past data and are run off-line, i.e. the clustering is determined before the system operation.

Motivated by the above discussion, this paper proposes a novel, fully distributed dynamic on-line clustering algorithm based on dynamic states of multi-agents communicating through a distributed communication network. The clustering algorithm dynamically aggregated ESs into clusters with selected similar features and maintains a balanced SoC within each cluster. The proposed algorithm is applied (i) to mitigate power losses associated with the traditional SoC balancing of fixed ES clusters distributed in a microgrid and (ii) to form a virtual energy storage. The salient novel features of this paper are:

- 1) The clustering algorithm is fully distributed and can be implemented with any existed distributed control method.

Runfan Zhang and Branislav Hredzak are with the School of Electrical Engineering and Telecommunications, University of New South Wales, Sydney, NSW 2052 Australia (email: runfan.zhang@student.unsw.edu.au; b.hredzak@unsw.edu.au;).

- 2) The clustering is done on-line, i.e. the clustering can dynamically adjust to variation in multi-agent states and does not require previously collected data.
- 3) The proposed algorithm is applied to a microgrid (i) to reduce power losses associated with SoC balancing of batteries in fixed clusters and (ii) to form a virtual energy storage.
- 4) The clustering algorithm is robust to multi-agents' state variation. As a result, frequent cluster changes, caused by fast state variations, can be eliminated.

The rest of this paper is organized as follows. Section II presents the proposed algorithm. Implementation of the algorithm to a microgrid with distributed batteries is discussed in Section III. Section IV concludes the paper.

II. DISTRIBUTED CLUSTERING ALGORITHM

This section introduces the proposed distributed clustering algorithm for multi-agents. The clustering problem can be defined as: cluster N agents into M groups based on some selected features propagated through a distributed network. Also assume that the estimations of average states inside of a cluster can be obtained by each agent through the distributed network.

Next, the concept of a distributed network is introduced and then the proposed algorithm is presented.

A. Distributed Communication Network

Multi-agents communicate with neighbours through a network represented by a sparse graph $\mathcal{G}(\mathcal{V}, \mathcal{E})$, with nodes $\mathcal{V} = \{1, \dots, N\}$ and edges \mathcal{E} [20]. Each graph node represents an agent. Elements of \mathcal{E} are denoted as (i, j) , where $(i, j) \in \mathcal{E}$ if there is a link allowing information to flow from node i to node j . The neighbours of node i are given by \mathcal{N}_i , where $j \in \mathcal{N}_i$, if $(i, j) \in \mathcal{E}$. The graph adjacency matrix is given by

$$\mathcal{A} = [a_{ij}] \in \mathbb{R}^{N \times N}, a_{ij} = \begin{cases} \alpha, & (j, i) \in \mathcal{E} \\ 0, & \text{otherwise} \end{cases}, \quad (1)$$

where α is the coupling strength. Then, the graph Laplacian matrix is $L = \mathcal{D} - \mathcal{A}$, where $\mathcal{D} = \text{diag}\{d_i\}$, and $d_i = \sum_{j=1}^N a_{ij}$ is the in-degree of the communication network.

B. Dynamic Clustering Algorithm

The feature states of an agent, used to determine the clusters, are defined as $x_i \in \mathbb{R}^n$. The proposed algorithm dynamically clusters N agents into M clusters based on the feature states. Estimates of the average of the states x_i in the j -th cluster are \bar{x}_i^{cstrj} , where $i = 1, \dots, N$ and $j = 1, \dots, M$. Each i -th agent has continuous access to the latest average states \bar{x}_i^{cstrj} of all clusters through the communication network.

First, select (arbitrary) initial estimates of \bar{x}_i^{cstrj} . Then, in order to decide/update to which cluster the i -th agent belongs, its current state x_i is compared with all current estimates of \bar{x}_i^{cstrj} , $j = 1, \dots, M$. The k -th estimate \bar{x}_i^{cstrk} which has the smallest distance from the current state x_i , as given by (4), denotes that the i -th agent is allocated to the k -th cluster. Once all clusters are determined, each i -th agent

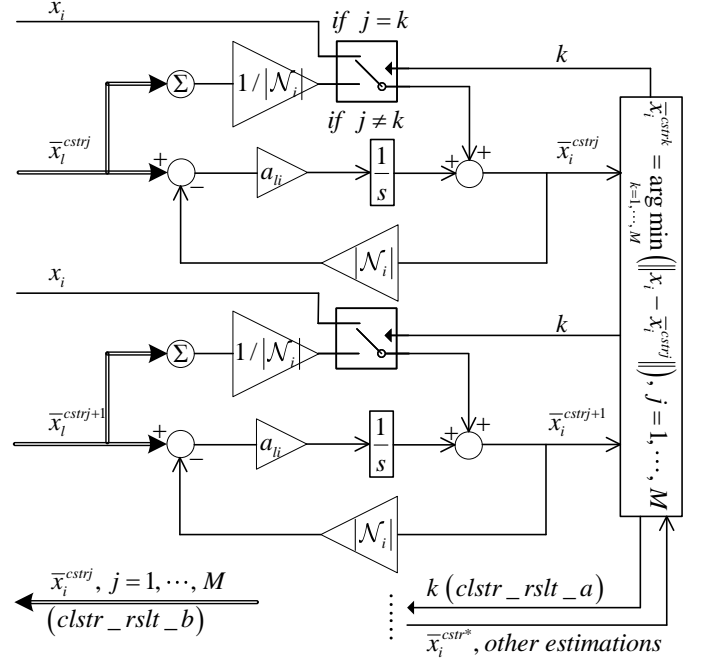


Fig. 1. Distributed clustering algorithm for the i -th agent. The double line arrows represent distributed communication.

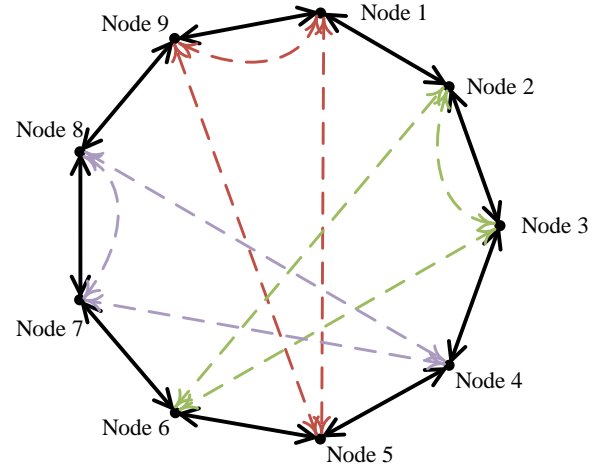


Fig. 2. Illustration of the proposed clustering algorithm. Nine agent nodes are clustered into three groups. The black lines represent the distributed communication network between agent nodes. The colored dash lines indicate virtual communications within a cluster. One color represents one cluster.

estimates the average of the states of the k -th cluster to which it belongs based on its current state x_i and the k -th cluster agents' estimates passed through the network, as given by (2). Neighbours' estimates that do not belong to the k -th cluster, $j \in \{1, \dots, M\}, j \neq k$, are passed through, as given by (3).

$$\dot{\hat{x}}_i^{cstrk} = \dot{x}_i + \sum_{l \in \mathcal{N}_i} a_{il} (\bar{x}_l^{cstrk} - \bar{x}_i^{cstrk}), \quad (2)$$

$$\dot{\hat{x}}_i^{cstrj} = \frac{1}{|\mathcal{N}_i|} \sum_{l \in \mathcal{N}_i} \dot{\hat{x}}_l^{cstrj} + \sum_{l \in \mathcal{N}_i} a_{il} (\bar{x}_l^{cstrj} - \bar{x}_i^{cstrj}), \quad j \neq k, \quad (3)$$

where $|\mathcal{N}_i|$ denotes the number of neighbours of the i -th agent.

$$x_i \in \left\{ k\text{-th cluster} \mid \bar{x}_i^{cstrk} = \arg \min_{k \in \{1, \dots, M\}} \left(\|x_i - \bar{x}_i^{cstrj}\| \right), j = 1, \dots, M \right\}. \quad (4)$$

Each i -th agent has always access to two results:

- 1) $clstr_rslt_a$: information to which k -th cluster it belongs;
- 2) $clstr_rslt_b$: estimates of the average of the feature states \bar{x}_i^{cstrj} in the j -th cluster, $j = 1, \dots, M$.

The algorithm is illustrated in Fig. 1 and can be summarized as **Algorithm 1**.

Algorithm 1 Distributed Dynamic Clustering

- 1: design $\mathcal{G}(\mathcal{V}, \mathcal{E})$ and M
 - 2: initialize $\bar{x}_i^{cstrj}, j = 1, \dots, M$
 - 3: **each** i -th agent at time t
 - 4: measure x_i
 - 5: receive $\bar{x}_l^{cstrj}, l \in \mathcal{N}_i, j = 1, \dots, M$ from neighbours
 - 6: $k \leftarrow$ label of the cluster with the smallest distance between x_i and $\bar{x}_i^{cstrj}, j = 1, \dots, M$, where $k \in \{1, \dots, M\}$
 - 7: **if** $j = k$ **then**
 - 8: Eq. (2)
 - 9: **else**
 - 10: Eq. (3)
 - 11: **end if**
 - 12: send $\bar{x}_i^{cstrj}, j = 1, \dots, M$ to neighbours
 - 13: **end each**
 - 14: Each local agent i implements the same algorithm.
-

Example: To further clarify the algorithm, consider the communication network structure in Fig. 2. In the figure, nine agent nodes are clustered into three groups. In each cluster, the average estimations are calculated based on the agents in the group, i.e. only the agents in the same cluster communicate with each other to obtain the average estimates through virtual communication lines shown as colored dash lines. The agents which are not in the cluster simply pass through estimates of the other clusters to its neighbours. Assume the red dashed line connecting nodes 1, 5 and 9 denote the k -th cluster. Nodes 1, 5, and 9 obtain the average estimate of the cluster \bar{x}_i^{cstrk} using (2). However, for the other two clusters' estimates $\bar{x}_i^{cstrj}, j \neq k$, nodes 1, 5, and 9 apply (3) to estimate the averages. Similarly, the other six agents ($i \neq 1, 5$, and 9) obtain the average estimates of the red line cluster k , $\bar{x}_i^{cstrk}, i \neq 1, 5$, and 9, by applying (3). As a result, the nodes 1, 5, and 9 in the red line cluster k directly communicate with each other through the virtual red color line links. The other agents just transmit the estimations $\bar{x}_i^{cstrk}, i = 1, 5$, and 9.

C. Utilization of Clusters

In some cases, other states than the feature states may be required for control, optimization and analysis within the

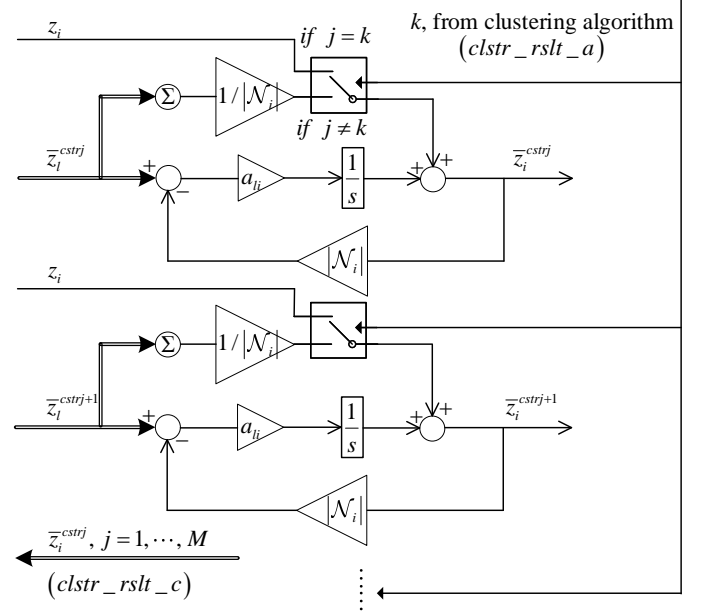


Fig. 3. The average estimations of the auxiliary state z_i for the i -th agent. The double line arrows represent distributed communication.

cluster or between the clusters. These states are defined as the auxiliary states, $z_i \in \mathbb{R}^m$, and are only used to calculate average of the states within a cluster. For example, in a microgrid, local loads and battery sizes are selected as feature states to determine clusters, whereas the SoCs are selected as auxiliary states for the average estimates of SoCs and the SoC balancing control within a cluster.

Hence, similar to feature states, the estimates of the auxiliary states z_i are \bar{z}_i^{cstrj} , where $i = 1, \dots, N$ and $j = 1, \dots, M$. The estimates of the average states of the i -th agent in the j -th cluster can be obtained using the $clstr_rslt_a$ result and following the same procedure as for the estimates \bar{x}_i^{cstrj} ,

$$\dot{\bar{z}}_i^{cstrk} = \dot{z}_i + \sum_{l \in \mathcal{N}_i} a_{il} (\bar{z}_l^{cstrk} - \bar{z}_i^{cstrk}), \quad (5)$$

$$\dot{\bar{z}}_i^{cstrj} = \frac{1}{|\mathcal{N}_i|} \sum_{l \in \mathcal{N}_i} \dot{\bar{z}}_l^{cstrj} + \sum_{l \in \mathcal{N}_i} a_{il} (\bar{z}_l^{cstrj} - \bar{z}_i^{cstrj}), j \neq k. \quad (6)$$

Hence, each i -th agent has always access to $clstr_rslt_c$ result: estimates of the average of the auxiliary states $\bar{z}_i^{cstrj}, j = 1, \dots, M$. The algorithm is illustrated in Fig. 3.

Including the auxiliary states into the **Algorithm 1** gives **Algorithm 2**.

Algorithm 2 Distributed Dynamic Clustering with Utilization of Clusters

```

1: design  $\mathcal{G}(\mathcal{V}, \mathcal{E})$  and  $M$ 
2: initialize  $\bar{x}_i^{cstrj}, j = 1, \dots, M$ 
3: each  $i$ -th agent at time  $t$ 
4:   measure  $x_i$  and  $z_i$ 
5:   receive  $\bar{x}_l^{cstrj}, l \in \mathcal{N}_i, j = 1, \dots, M$  from neighbours
6:   receive  $\bar{z}_l^{cstrj}, l \in \mathcal{N}_i, j = 1, \dots, M$  from neighbours
7:    $k \leftarrow$  label of the cluster with the smallest distance between  $x_i$  and  $\bar{x}_i^{cstrj}, j = 1, \dots, M$ , where  $k \in \{1, \dots, M\}$ 
8:   if  $j = k$  then
9:     Eq. (2) and (5)
10:  else
11:    Eq. (3) and (6)
12:  end if
13:  send  $\bar{x}_i^{cstrj}, j = 1, \dots, M$  to neighbours
14:  send  $\bar{z}_i^{cstrj}, j = 1, \dots, M$  to neighbours
15: end each
16: Each local agent  $i$  implements the same algorithm.

```

III. APPLICATIONS OF ALGORITHM TO CLUSTER BATTERIES IN MICROGRID

This section introduces two example applications of the proposed algorithm to cluster batteries distributed in a microgrid in order (i) to reduce the power losses and (ii) to form a virtual energy storage.

A battery energy storage system (BESS) includes a battery, a bidirectional DC-DC converter interfacing the battery with the microgrid and a local load.

A. Power Loss Reduction

Balancing SoC of batteries distributed in a microgrid can improve stability and reliability of the power system by making full use of energy stored in batteries and lengthening the battery lifetime [9]. However, if the batteries are randomly clustered into fixed groups, it can result in power losses even though their SOC's are balanced. The additional power losses are caused by different local loads and different battery capacities, as explained next.

1) *Local Loads*: Assume that all batteries have the same capacity. The power losses, after a balanced SoC has been achieved, can be reduced by clustering the battery systems with similar local loads. This is because if each battery in a cluster has the same load, there will be no line currents flowing between the batteries.

2) *Battery Capacity*: Assume that all batteries have equal local loads. After a balanced SoC has been reached, larger capacity batteries have to provide more power than smaller capacity batteries to maintain the balanced SoC. This results in additional line currents and hence power losses. Therefore, clustering batteries with similar capacity can reduce the power losses.

Based on the above discussion, two feature states: local load and battery capacity are selected to cluster the batteries

using the proposed distributed clustering algorithm and hence minimize the power losses.

B. Virtual Energy Storage

In this application, the batteries are clustered into virtual energy storage(s) to sell power to the main grid or to absorb the power from renewable energy sources.

It is assumed that the utility company provides required energy storage capacity (virtual energy storage) and its price to be formed from distributed BESSs. At the same time, all prosumers decide how much of their battery capacity will be made available to form the virtual energy storage and at what price. Then, the utility company pins (broadcasts) its virtual energy storage requirements to at least one prosumer in an area where prosumers can exchange information through a neighbour-to-neighbour distributed communication network. The requirements are the initial values for the clusters. Two feature states, price and battery capacity, are applied in the algorithm. The algorithm finds the clusters of batteries that are close to the feature states' average estimations. All prosumers in a cluster can sell their available battery capacity at the average price. Subsequently, the company receives all information from the pinning prosumers and selects clusters with sufficient energy capacity and at acceptable price to form the virtual energy storage. The SoC balancing control algorithm maintains the same SoC level in all batteries in the virtual energy storage by ensuring that batteries provide power in proportion to their own energy capacity.

It should be noted that the selected feature states are not restricted to the price and energy capacity only, additional feature states, such as distance or geographical location, can be added to form virtual energy storage(s).

IV. CONCLUSION

This paper proposed a distributed dynamic clustering algorithm for clustering agents based on pre-selected feature states. The clustering algorithm was applied (i) to cluster batteries with a similar load and energy capacity to reduce the power losses and (ii) to form a virtual energy storage based on price and energy capacity. The proposed algorithm can be applied to any other systems which require dynamic, on-line clustering based on pre-selected feature states, while using auxiliary states for any required control, optimization or analysis purposes.

ACKNOWLEDGMENT

R. Zhang would like to gratefully thank for a scholarship from the China Scholarship Council.

REFERENCES

- [1] J. Han, M. Kamber, and J. Pei, *Data Mining: Concepts and Techniques*. Waltham: Morgan Kaufmann Publishers, 2001.
- [2] S.-S. Yu, S.-W. Chu, C.-M. Wang, Y.-K. Chan, and T.-C. Chang, "Two improved k-means algorithms," *Applied Soft Computing*, vol. 68, pp. 747–755, 2018.
- [3] A. B. Geva, "Hierarchical unsupervised fuzzy clustering," *IEEE Transactions on Fuzzy Systems*, vol. 7, no. 6, pp. 723–733, Dec 1999.

- [4] J. A. Flanagan, "Self-organisation in kohonen's som," *Neural networks*, vol. 9, no. 7, pp. 1185–1197, 1996.
- [5] M. Aci and M. Avci, "K nearest neighbor reinforced expectation maximization method," *Expert Systems with Applications*, vol. 38, no. 10, pp. 12 585–12 591, 2011.
- [6] K. Thangavel, J. Kacprzyk, A. Abraham, A.-E. Hassanien, A. P. de Leon F de Carvalho, and V. Snel, *Distributed Data Clustering: A Comparative Analysis*, ser. Foundations of Computational, Intelligence Volume 6. Berlin, Heidelberg: Springer Berlin Heidelberg, 2009, vol. 206.
- [7] M. Hai, S. Zhang, L. Zhu, and Y. Wang, "A survey of distributed clustering algorithms," in *2012 International Conference on Industrial Control and Electronics Engineering*, Aug 2012, pp. 1142–1145.
- [8] A. Bidram, V. Nasirian, A. Davoudi, and F. L. Lewis, *Cooperative Synchronization in Distributed Microgrid Control*. Springer, 2017.
- [9] T. Morstyn, B. Hredzak, and V. G. Agelidis, "Control strategies for microgrids with distributed energy storage systems: An overview," *IEEE Transactions on Smart Grid*, vol. 9, no. 4, pp. 3652–3666, July 2018.
- [10] K. Li, J. Che, B. Wang, J. Zhang, F. Wang, and Z. Mi, "A meta-heuristic optimization based residential load pattern clustering approach using improved gravitational search algorithm," in *2018 IEEE Power Energy Society Innovative Smart Grid Technologies Conference (ISGT)*, Feb 2018, pp. 1–5.
- [11] H. Ryu, Y. Jung, and J. Park, "Energy storage control based on user clustering and battery capacity allocation," in *2017 IEEE Power Energy Society General Meeting*, July 2017, pp. 1–5.
- [12] H. Kim and C. Singh, "Three dimensional clustering in wind farms with storage for reliability analysis," in *2013 IEEE Grenoble Conference*, June 2013, pp. 1–6.
- [13] D. Thomas, O. Deblecker, K. Genikomsakis, and C. S. Ioakimidis, "Smart house operation under pv and load demand uncertainty considering ev and storage utilization," in *IECON 2017 - 43rd Annual Conference of the IEEE Industrial Electronics Society*, Oct 2017, pp. 3644–3649.
- [14] C. Yao, M. Chen, and Y. Hong, "Novel adaptive multi-clustering algorithm-based optimal ess sizing in ship power system considering uncertainty," *IEEE Transactions on Power Systems*, vol. 33, no. 1, pp. 307–316, Jan 2018.
- [15] M. He and M. Giesselmann, "Reliability-constrained self-organization and energy management towards a resilient microgrid cluster," in *2015 IEEE Power Energy Society Innovative Smart Grid Technologies Conference (ISGT)*, Feb 2015, pp. 1–5.
- [16] J. Schlund, D. Steber, P. Bazan, and R. German, "Increasing the efficiency of a virtual battery storage providing frequency containment reserve power by applying a clustering algorithm," in *2017 IEEE Innovative Smart Grid Technologies - Asia (ISGT-Asia)*, Dec 2017, pp. 1–8.
- [17] K. Shi, C. Gao, J. Li, J. Fan, and G. Cui, "The establishment of energy storage model and its application in secondary frequency regulation of air conditioning load," in *2017 4th International Conference on Systems and Informatics (ICSAI)*, Nov 2017, pp. 363–368.
- [18] M. Bahramipannah, M. Nick, R. Cherkaoui, and M. Paolone, "Network clustering for voltage control in active distribution network including energy storage systems," in *2015 IEEE Power Energy Society Innovative Smart Grid Technologies Conference (ISGT)*, Feb 2015, pp. 1–5.
- [19] D. D. Sharma, S. N. Singh, B. S. Rajpurohit, and F. G. Longatt, "Critical load profile estimation for sizing of battery storage system," in *2015 IEEE Power Energy Society General Meeting*, July 2015, pp. 1–5.
- [20] F. L. Lewis, H. Zhang, K. Hengster-Movric, and A. Das, *Cooperative Control of Multi-Agent Systems*. London: Springer-Verlag, 2014.