

CRYSTAL STRUCTURES FOR DOUBLE STANLEY SYMMETRIC FUNCTIONS

GRAHAM HAWKES

ABSTRACT. We relate the combinatorial definitions of the type A_n and type C_n Stanley symmetric functions, via a combinatorially defined “double Stanley symmetric function,” which gives the type A case at $(\mathbf{x}, \mathbf{0})$ and gives the type C case at (\mathbf{x}, \mathbf{x}) . We induce a type A bicrystal structure on the underlying combinatorial objects of this function which has previously been done in the type A and type C cases. Next we prove a few statements about the algebraic relationship of these three Stanley symmetric functions. We conclude with some conjectures about what happens when we generalize our constructions to type C .

1. INTRODUCTION AND NOTATION

In this paper we will relate the combinatorial definitions of the type A_n ([Sta84]) and type C_{n+1} [BH95], [FK96] Stanley symmetric functions. To do this, we define combinatorially a “double Stanley symmetric function” and show that it is indeed a symmetric function in two sets of infinite variables. Precisely, our double Stanley symmetric function gives the type A Stanley symmetric function at $(\mathbf{x}, \mathbf{0})$ and gives the type C Stanley symmetric function at (\mathbf{x}, \mathbf{x}) .

Both the type A and type C functions are Schur positive, and a crystal-theoretic interpretation of these facts has been given in [MS16] and [HPS17] respectively. Furthermore, crystal analysis for the (type A) stable limit of double Schubert polynomials is carried out [Len04] by considering a crystal structure on the underlying combinatorial objects of rc graphs (in other literature known as pipe dreams). In the paper we will carry out this procedure for our new double Stanley symmetric function by considering a crystal structure for the underlying objects of reduced signed increasing factorizations. To do this we first write the double Stanley symmetric functions as a sum of characters of certain tableaux (section 2). Next, we introduce explicit crystal operators on these tableaux, which allows us to write the double Stanley symmetric function as sum of products of Schur functions (section 3). Then, we introduce a notion of conversion which helps us explore the algebraic relationship of all three of these Stanley symmetric functions, in particular, recovering some results of Lam [Lam95] (section 4). Although sections 2-4 are restricted to the type A case, we conclude (section 5) with a quick survey of some results (without proof) and conjectures about the type C case.

Throughout the paper, when some $k \in \mathbb{N}$ is specified x will refer to the list of variables (x_1, \dots, x_k) and y will refer to the list of variables (y_1, \dots, y_k) . On the other hand \mathbf{x} will refer to the infinite list of variables (x_1, x_2, \dots) and \mathbf{y} will refer to the infinite list of variables (y_1, y_2, \dots) . If the polynomial $P(x)$ or $P(x, y)$ is defined for arbitrary k then $P(\mathbf{x})$ or, respectively, $P(\mathbf{x}, \mathbf{y})$ will represent the corresponding function obtained by letting $k \rightarrow \infty$.

The A_n Coxeter system is defined as the Coxeter system with generators, s_1, \dots, s_n and relations $(s_i s_j)^{m_{ij}} = 1$ where m_{ij} is an integer determined as follows:

- If $|i - j| = 0$, $m_{ij} = 1$.
- If $|i - j| = 1$, $m_{ij} = 3$.
- If $|i - j| > 1$, $m_{ij} = 2$.

Key words and phrases. Stanley symmetric functions, Littlewood-Richardson Rules, Schur and P-Schur Functions.
The author acknowledges support from the Max-Planck-Institut für Mathematik.

By abuse of notation, we will also refer to the corresponding Coxeter group of size $(n+1)!$ as A_n . The C_{n+1} Coxeter system is defined as the Coxeter system with generators, s_0, s_1, \dots, s_n and relations $(s_i s_j)^{m_{ij}} = 1$ where m_{ij} is an integer determined as follows:

- If $|i - j| = 0$, $m_{ij} = 1$.
- If $i > 0$ and $j > 0$, and $|i - j| = 1$, $m_{ij} = 3$.
- If $i = 0$ or $j = 0$, and $|i - j| = 1$, $m_{ij} = 4$.
- If $|i - j| > 1$, $m_{ij} = 2$.

Similarly, we will sometimes refer to the corresponding group of size $2^{n+1}(n+1)!$ itself as C_{n+1} . Given the relations above one can define two types of symmetric functions, indexed, respectively, by elements of A_n and C_{n+1} .

First, suppose $\omega \in A_n$. A *reduced word* for ω is an expression, u , for ω using the generators s_1, \dots, s_n such that no other such expression for ω is shorter than u . Given a fixed k , a *reduced increasing factorization* (RIF_k), v , for ω is a reduced word u , for ω along with a subdivision of u into k parts such that each part is increasing under the order $s_1 < \dots < s_n$. The *weight* of v is the vector whose i^{th} entry records the number of generators in the i^{th} subdivision of v . The type A Stanley symmetric polynomial [Sta84] in k variables for ω is:

$$F_{\omega}^A(x) = \sum_{v \in RIF_k(\omega)} x^{wt(v)},$$

where $RIF_k(\omega)$ is the set of reduced increasing factorizations of ω , and $wt(v)$ is the weight of v . Letting $k \rightarrow \infty$ in the type A Stanley symmetric polynomial gives the type A Stanley symmetric function for ω .

Now suppose $\omega \in C_{n+1}$. A *reduced word* for ω is an expression, u , for ω using the generators s_0, s_1, \dots, s_n such that no other such expression for ω is shorter than u . Given a fixed k , a *reduced unimodal factorization* (RUF_k), v , for ω is a reduced word u , for ω along with a subdivision of u into k parts such that each part is unimodal (i.e., decreasing and then increasing) under the order $s_0 < s_1 < \dots < s_n$. The *weight* of v is the vector whose i^{th} entry records the number of generators in the i^{th} subdivision of v . The type C Stanley symmetric polynomial [BH95], [FK96], in k variables for ω is:

$$F_{\omega}^C(x) = \sum_{v \in RUF_k(\omega)} 2^{ne(v)} x^{wt(v)},$$

where $ne(v)$ is the number of nonempty subdivisions of v , $RUF_k(\omega)$ is the set of reduced unimodal factorizations of ω , and $wt(v)$ is the weight of v . Letting $k \rightarrow \infty$ in the type C Stanley symmetric polynomial gives the type C Stanley symmetric function for ω .

Next consider the generators $s_{-n}, \dots, s_{-1}, s_0, s_1, \dots, s_n$ and impose relations $(s_i s_j)^{m_{ij}} = 1$ where m_{ij} is an integer determined as follows:

- If $|(|i| - |j|)| = 0$, $m_{ij} = 1$.
- If $i \neq 0$ and $j \neq 0$, and $|(|i| - |j|)| = 1$, $m_{ij} = 3$.
- If $|(|i| - |j|)| > 1$, $m_{ij} = 2$.
- If $i = 0$ or $j = 0$, and $|(|i| - |j|)| = 1$, $m_{ij} = 4$.

Of course, the resulting system is not Coxeter, for instance, the relations imply that $s_{-i} = s_i$ holds,¹ so the generating set is obviously not minimal.

¹This makes sense on the level of Weyl groups: the reflection over the plane perpendicular to the i^{th} simple root is equal to the reflection over the plane perpendicular to the opposite of the i^{th} simple root.

In this setting, a *reduced word* for ω is an expression u , for ω using the generators $s_{-n}, \dots, s_{-1}, s_0, s_1, \dots, s_n$ such that no other such expression for ω is shorter than u . Given a fixed k , a *reduced signed increasing factorization* ($RSIF_k$), v , for ω is a reduced word u , for ω along with a subdivision of u into k parts such that each part is increasing under the order $s_{-n} < \dots < s_{-1} < s_0 < s_1 < \dots < s_n$.

The *double weight* of v , denoted $(dw(v, 1), dw(v, 2))$ is the pair (X, Y) , where the i^{th} entry of X records the number of generators with negative index in the i^{th} subdivision of v , and the i^{th} entry of Y records the number of generators with nonnegative index in the i^{th} subdivision of v . For instance, $v = (s_{-3}s_{-2}s_1)(s_{-5}s_2s_3)(s_{-4}s_{-3})$ is an $RSIF$ (with $k = 3$) for $\omega = s_3s_2s_1s_2s_3s_5s_4s_3$ with double weight $((2, 1, 2), (1, 2, 0))$. We define the *double Stanley symmetric polynomial* in k variables for $\omega \in C_{n+1}$ to be:

$$F_\omega^d(x, y) = \sum_{v \in RSIF_k(\omega)} x^{dw(v, 1)} y^{dw(v, 2)},$$

where $RSIF_k(\omega)$ is the set of reduced signed increasing factorizations of ω into k parts. Letting $k \rightarrow \infty$ in the double Stanley symmetric polynomial gives the double Stanley symmetric function for ω . We will frequently use the shorthand i for s_i and \bar{i} for s_{-i} when it is clear we are discussing expressions of Coxeter elements. For instance, v above may be rewritten: $v = (\bar{3}\bar{2}\bar{1})(\bar{5}23)(4\bar{3})$.

In sections 2-4 we consider the special case where $\omega \in A_n$. In section 5 we give a short overview of what happens when $\omega \in C_{n+1}$ (in general the double Stanley “symmetric” function may not be symmetric if $\omega \notin A_n$). The fact that $F_\omega^d(\mathbf{x}, \mathbf{y})$ is symmetric for $\omega \in A_n$ is not obvious and will require some effort to show. For now, we simply note some equalities that do follow immediately from the constructions: For any $\omega \in A_n \subseteq C_{n+1}$ we can define all three Stanley symmetric functions mentioned, and we have: $F_\omega^d(\mathbf{0}, \mathbf{x}) = F_\omega^A(\mathbf{x})$ and $F_\omega^d(\mathbf{x}, \mathbf{x}) = F_\omega^C(\mathbf{x})$ and $F_\omega^d(\mathbf{x}, \mathbf{y}) = F_{\omega^{-1}}^d(\mathbf{y}, \mathbf{x})$.

2. EXPANSION IN TERMS OF PRIMED TABLEAUX

In this section we expand the function F_ω^d for $\omega \in A_n$ in terms of a certain generating function for primed tableaux. Now, we fix some $k \in \mathbb{N}$ for the remainder of this section. We will work over the alphabet $\bar{X}'_k = \{\bar{k} < \dots < \bar{2} < \bar{1} < 1' < 1 < 2' < 2 < \dots < k' < k\}$ (these elements are not related to generators s_i or s_{-i} . This association is only made when numbers appear within parenthesis inside a factorization or within an Edelman-Greene tableau (defined later)). An element in this alphabet is called *marked* if it is barred or it is primed, and called *unmarked* otherwise. The subset of \bar{X}'_k which contains no primed letters is denote \bar{X}_k . The subset of \bar{X}'_k which contains no barred letters is denoted X'_k . Inside tableaux, barred entries will be represented using a small -, for example $\boxed{-4}\boxed{-3}\boxed{-1}\boxed{2}\boxed{2}$ represents the one row tableau with entries $\{4, \bar{3}, \bar{1}, 2, 2\}$ because moving the bar in front of the number makes it easier to see.

The definition of primed tableau (given below) appears as a specific case of a more general definition. (This more general definition will be needed later.)

Definition 2.1. Fix partitions $\mu \subseteq \lambda$. Fix vectors X and Y in $\mathbb{Z}_{\geq 0}^k$. Finally, fix $0 \leq j \leq k$. We define the set of *primed signed tableaux* corresponding to these parameters, by declaring that $T \in PST(\lambda/\mu, X, Y, j)$ if:

- (1) T has shape λ/μ .
- (2) T has entries from \bar{X}'_k .
- (3) The rows and columns of T are weakly increasing.
- (4) Each row of T has at most one marked i and each column has at most one unmarked i .
- (5) T contains $Y(i)$ unmarked i s.
- (6) T contains $X(i)$ barred i s (and no primed i s) for each $i > j$.
- (7) T contains $X(i)$ primed i s (and no barred i s) for each $i \leq j$.

Example 2.2. Let $\lambda = (4, 3, 2, 2)$. The following lies in $PST\left(\lambda/\emptyset, \begin{bmatrix} 1 \\ 2 \\ 2 \\ 2 \end{bmatrix}, \begin{bmatrix} 2 \\ 2 \\ 0 \\ 1 \end{bmatrix}, 2\right)$:

-4	-3	1	4
-4	1'	2'	
-3	1	2'	
2	2		

Definition 2.3. Let $X, Y \in \mathbb{Z}_{\geq 0}^k$. A *primed tableau* of shape λ/μ and double weight (X, Y) is an element of $PST(\lambda/\mu, X, Y, k)$.

Definition 2.4. Let $X, Y \in \mathbb{Z}_{\geq 0}^k$. A *signed tableau* of shape λ/μ and double weight (X, Y) is an element of $PST(\lambda/\mu, X, Y, 0)$.

In other words, a primed tableau is a primed signed tableau in X'_k and a signed tableau is a primed signed tableau in \bar{X}_k . For shorthand, we also refer to the set of primed tableaux, $PST(\lambda/\mu, X, Y, k)$, as $PT_k(\lambda/\mu)$ with double weight (X, Y) . We now define a polynomial in the variables (x, y) by:

$$R_{\lambda/\mu}(x, y) = \sum_{T \in PT_k(\lambda/\mu)} x^{dw(T,1)} y^{dw(T,2)},$$

where $(dw(T, 1), dw(T, 2))$ represents the double weight of the primed tableau, T . Our goal is to show that F_{ω}^d expands in terms of R_{λ} .

Let $\omega \in A_n$. An *Edelman-Greene tableau* for ω is a tableau in $\{s_1, \dots, s_n\}$ which is row-wise and column-wise increasing with respect to the order $s_1 < \dots < s_n$, and which, if read by rows, left to right, bottom to top, forms a reduced word for ω . For viewing convenience we will write \boxed{i} to mean $\boxed{s_i}$. We use Edelman-Greene insertion, [EG87], to create a bijection between $RSIF_k(\omega)$ and pairs of tableaux, (P, Q) , where P is an Edelman-Greene tableau for ω , and Q is a primed tableau of the same shape. This bijection is described below.

Definition 2.5. Primed-Recording Edelman-Greene map. Suppose $v \in RSIF_k(\omega)$. Create the insertion tableau P by applying Edelman-Greene insertion to $|v|$, the expression obtained by ignoring the subdivisions of v and replacing s_{-i} by s_i for each i . Create the recording tableau, Q , as follows: Each time a box is added to P say in position (i, j) add a box to Q in position (i, j) and fill it as follows: Suppose box (i, j) was added to P when $|v|_r$ was inserted. Let l be the subdivision of v in which v_r occurs in v . If v_r is barred in v , fill box (i, j) of Q with l' . If v_r is unbarred in v , fill box (i, j) of Q with l .

Example 2.6. Let $v = (\bar{3}\bar{2}14)(\bar{3}\bar{2})(\bar{4}13)$.

$$\begin{aligned} \{\boxed{3}, \boxed{1'}\} &\rightarrow \left\{ \begin{bmatrix} 2 \\ 3 \end{bmatrix}, \begin{bmatrix} 1' \\ 1' \end{bmatrix} \right\} \rightarrow \left\{ \begin{bmatrix} 1 \\ 2 \\ 3 \end{bmatrix}, \begin{bmatrix} 1' \\ 1' \\ 1 \end{bmatrix} \right\} \rightarrow \left\{ \begin{bmatrix} 1 & 4 \\ 2 \\ 3 \end{bmatrix}, \begin{bmatrix} 1' & 1 \\ 1 \\ 1 \end{bmatrix} \right\} \rightarrow \left\{ \begin{bmatrix} 1 & 3 \\ 2 & 4 \\ 3 \end{bmatrix}, \begin{bmatrix} 1' & 1 \\ 1' & 2' \\ 1 \end{bmatrix} \right\} \rightarrow \left\{ \begin{bmatrix} 1 & 2 \\ 2 & 3 \\ 3 & 4 \end{bmatrix}, \begin{bmatrix} 1' & 1 \\ 1' & 2' \\ 1 & 2' \end{bmatrix} \right\} \\ &\rightarrow \left\{ \begin{bmatrix} 1 & 2 & 4 \\ 2 & 3 \\ 3 & 4 \end{bmatrix}, \begin{bmatrix} 1' & 1 & 3' \\ 1' & 2' \\ 1 & 2' \end{bmatrix} \right\} \rightarrow \left\{ \begin{bmatrix} 1 & 2 & 4 \\ 2 & 3 & 4 \\ 3 & 4 \\ 4 \end{bmatrix}, \begin{bmatrix} 1' & 1 & 3' \\ 1' & 2' \\ 1 & 2' \\ 3 \end{bmatrix} \right\} \rightarrow \left\{ \begin{bmatrix} 1 & 2 & 3 \\ 2 & 3 & 4 \\ 3 & 4 \\ 4 \end{bmatrix}, \begin{bmatrix} 1' & 1 & 3' \\ 1' & 2' & 3 \\ 1 & 2' \\ 3 \end{bmatrix} \right\} \end{aligned}$$

Theorem 2.7. *The Primed-Recording Edelman-Greene map is a double weight preserving bijection: $RSIF_k(\omega) \Rightarrow (P, Q)$, where P is an Edelman-Greene tableau for ω , and Q is a primed tableau of the same shape. (The double weight of (P, Q) refers to the double weight of Q .)*

Proof. The proof relies on a basic fact of Edelman-Greene insertion of an unsigned reduced word v : If $v = v_1 \dots v_s$ is inserted under Edelman-Greene, then $v_r < v_{r+1}$ if and only if the box added to the insertion tableau in the r^{th} step is in a row weakly above the row where a box is added in the $(r+1)^{\text{st}}$ step. To see the map is well-defined: Certainly P is an Edelman-Greene tableau. Certainly Q has weakly increasing rows and columns. Moreover, for each value of i , there is at most one i in each column because of the forward direction of the basic fact. And there is at most one i' in each row because of the backwards direction of the basic fact.

The inverse is obtained by applying reverse Edelman-Greene insertion to P in the order prescribed by the standardization of Q . (The standardization being the standard Young tableau obtained from Q by extending the partial order induced on the boxes of Q by the order of X' and then using the following rule: If box b and box b' both contain i then $b < b'$ if and only if b lies in a column to the left of b' . If box b and box b' both contain i' then $b < b'$ if and only if b lies in a row above b' .) This produces an element of A_n . Now, to make it a signed factorization, its subdivisions and the signs on the indices are then added in the unique way such that the resulting factorization has the same double weight as Q . Again, the basic fact implies that this inverse is well-defined. □

It now immediately follows from Theorem 2.7 that:

Theorem 2.8.

$$F_\omega^d(\mathbf{x}, \mathbf{y}) = \sum_{T \in E(\omega)} R_{sh(T)}(\mathbf{x}, \mathbf{y}),$$

where $E(\omega)$ is the set of Edelman-Greene tableaux for ω and $sh(T)$ denotes the shape of T .

3. CRYSTAL STRUCTURE AND SCHUR EXPANSION

An (*abstract*) *bicrystal* of type A_{k-1} is a nonempty set B together with the maps

$$(3.1) \quad \begin{aligned} e_i, f_i &: B \rightarrow B \cup \{0\} \\ e_{\bar{i}}, f_{\bar{i}} &: B \rightarrow B \cup \{0\} \\ dw &: B \rightarrow \Lambda \times \Lambda \end{aligned}$$

where $\Lambda = \mathbb{Z}_{\geq 0}^k$ is the weight lattice of the root of type A_{k-1} and $1 \leq i \leq k-1$. Denote by $\alpha_i = \epsilon_i - \epsilon_{i+1}$ for the simple roots of type A_{k-1} , where ϵ_i is the i -th standard basis vector of \mathbb{Z}^k . Then we require:

A1. For $b, b' \in B$, we have $f_i b = b'$ if and only if $b = e_i b'$. In this case $dw(b') = dw(b) - (0, \alpha_i)$.

A2. For $b, b' \in B$, we have $f_{\bar{i}} b = b'$ if and only if $b = e_{\bar{i}} b'$. In this case $dw(b') = dw(b) - (\alpha_i, 0)$.

In this section we induce (via Theorem 2.7) an A_{k-1} (k as before) bicrystal structure on the set of reduced signed increasing factorizations of ω by explicitly defining crystal operators on the set of primed tableaux. This structure is isomorphic to the bicrystal structure on pairs of SSYT obtained by doubling the usual crystal structure on SSYT (see [BS17]). As a result, we will obtain an expansion of F_ω^d as a product of Schur functions corresponding to certain highest weight primed tableaux.

Given a primed tableau T , we will define the *reading word* of T to be the word, composed only of unprimed entries, obtained by reading the unprimed numbers by row, left to right, moving from bottom to top. Throughout the remainder of the section, we will set $j = i + 1$. The $i - j$ subword of a word is defined to be the word of is and js obtained by erasing all other entries from the word. The $i - j$ bracketing on the $i - j$ subword is defined as usual in type A. Each step in the ordering $1' < 1 < 2' < 2 \cdots$ will be considered a half unit. In particular, we say that i is obtained from i' by increasing by a half unit, j' is obtained from i by increasing by a half unit, and j is obtained from j' by increasing by a half unit. Finally, if p is a position in T , we will write $c(p)$ to mean the content of p . By convention if position p does not describe a filled box of T we take $c(p) = \infty$.

First we define operators f_i on the set of primed tableaux as follows.

Definition 3.1 (f_i operator). First, if the $i - j$ reading subword of T has no unbracketed is , then $f_i(T) = 0$. Otherwise let x denote the position in T corresponding to the rightmost unbracketed i in the $i - j$ reading subword of T . $f_i(T)$ is obtained from T by increasing $c(x)$ and $c(q)$ by a half unit for some box q , determined as follows: Denote the position immediately to the right of x as E_x and the position immediately below it as S_x :

- F1: If $c(E_x) \geq j$ and $c(S_x) > j$, set $q = x$.
- F2: If $c(E_x) = j'$, set $q = E_x$.

F3: If $c(E_x) \geq j$ and $c(S_x) = j'$ or $c(S_x) = j$, consider the maximal ribbon beginning on S_x and extending in the South and/or West directions which contains only js and $j's$. Let q be the Southwest-most position of this ribbon.

Lemma 3.2. *If the hypothesis of case F2 holds, then $c(S_q) > j$. If the hypothesis of case F3 holds, then for each j in the ribbon, there is an i in the box diagonally above and to the left of this j , and $c(q) = j'$.*

Proof. For the first statement, note that we cannot have $c(S_q) = j'$ as this would imply $c(S_x) < j'$, which contradicts $c(S_x) > i = c(x)$. Moreover, if we have $c(S_q) = j$, then let k denote the number of js in this row. In order for the i in x to be unbracketed the row above must have at least $k + 1$ is . This implies its leftmost two is lie above entries less than j . The only such possibility is j' which would contradict the condition that there is at most one j' in each row.

Now to the second statement. In order for the i in position x to be unbracketed, every j in the ribbon must be bracketed with an i which appears in between q and x in the reading word order. The only way to fit all the necessary is is as described in the statement of the lemma. Now, if $c(q) \neq j'$ then $c(q) = j$ which implies the box diagonally above q contains an i by the previous sentence. But this implies the entry to the left of q is j or j' which contradicts the maximality of the ribbon. \square

Lemma 3.3. *If $f_i(T) \neq 0$ then either $q = x$, in which case f_i changes an i in x to a j , or else f_i changes an i in x to j' and a j' in q to j . Moreover, $f_i(T)$ is a valid primed tableau.*

Proof. This is immediate for F1. For the other two cases it follows from the previous lemma. \square

Now we define operators e_i on the set of primed tableaux as follows.

Definition 3.4 (e_i operator). First, if the $i - j$ reading subword of T has no unbracketed js , then $e_i(T) = 0$. Otherwise let y denote the position in T corresponding to the leftmost unbracketed j in the $i - j$ reading subword of T . $e_i(T)$ is obtained from T by decreasing $c(y)$ and $c(p)$ by a half unit for some box p , determined as follows: Denote the position immediately to the left of y as W_y and the position immediately above it as N_y :

- (1) If $c(W_y) \leq i$ and $c(N_y) < i$, set $p = y$.
- (2) If $c(W_y) = j'$, set $p = W_y$.
- (3) If $c(W_y) \leq i$ and $c(N_y) = i$ or $c(N_y) = j'$, consider the maximal ribbon beginning on N_y and extending in the North and/or East directions which contains only is and $j's$. Let p be Northeast-most position of this ribbon.

Symmetric arguments to those given above show:

Lemma 3.5. *If $e_i(T) \neq 0$ then either $p = y$, in which case e_i changes a j in y to an i , or else e_i changes an j in y to j' and a j' in p to i . Moreover, $e_i(T)$ is a valid primed tableau.*

In fact f_i and e_i so defined are inverses:

Proposition 3.6. *If $f_i(T) \neq 0$ then $e_i(f_i(T)) = T$. Similarly, if $e_i(T) \neq 0$ then $f_i(e_i(T)) = T$.*

Proof. Suppose that $f_i(T)$ is obtained from T by case C ($C \in \{1, 2, 3\}$) of the definition of f_i , with x and q representing the positions selected as in the definition. Then it is not difficult to see that $e_i(f_i(T))$ can be obtained from $f_i(T)$ by case k in the definition of e_i with positions $y = q$ and $p = x$. Since a half unit has been added and then subtracted from positions x and q it is clear that $e_i(f_i(T)) = T$. The second statement is proved symmetrically. \square

We now define operators f_i and e_i on the set of primed tableaux and on words. On words these operators act as the usual type A operators restricted to primed entries. To describe their action on primed tableaux, we use a special type of transposition.

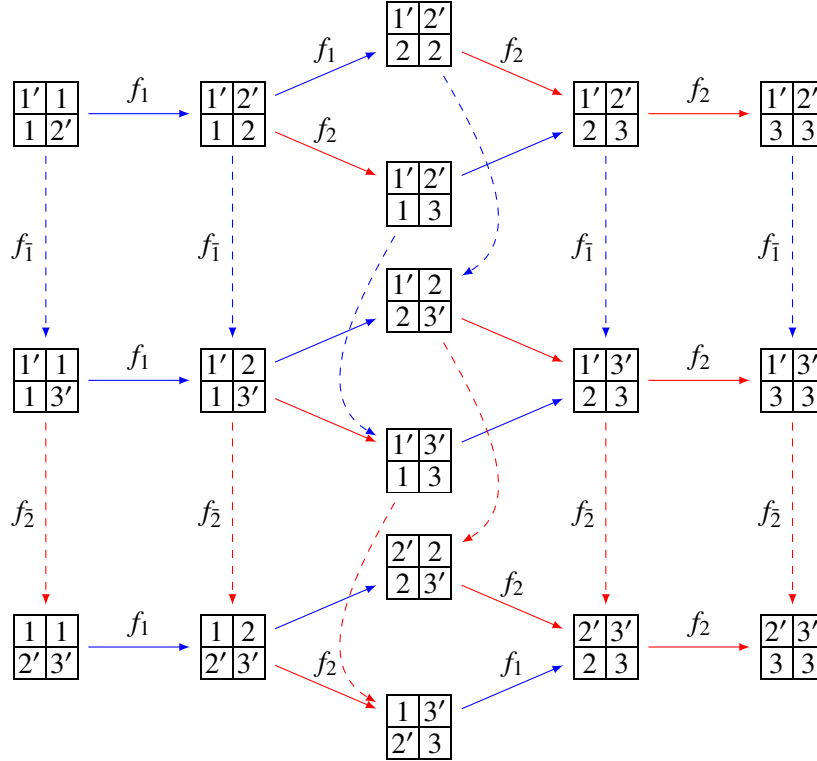


FIGURE 1. A connected component of the A_2 bicrystal for $\lambda = (2, 2)$. A few labels are omitted to prevent cluttering.

Definition 3.7. Given a primed tableau, T , we define T^+ to be obtained by transposing T and then adding a half unit to each entry. Similarly we define T^- to be obtained by transposing T and then subtracting a half unit from each entry. Applied to a word w , w^+ and w^- indicate simply adding a half unit and subtracting a half unit from each entry respectively.

Clearly, we have $(T^+)^- = T$ and $(w^+)^- = w$.

Definition 3.8. We define $f_i(T) = (f_i(T^+))^-$ and $e_i(T) = (e_i(T^+))^-$ for any primed tableau, T . Similarly we define $f_i(w) = (f_i(w^+))^-$ and $e_i(w) = (e_i(w^+))^-$ for any primed word, w .

3.1. Proof that the operators $f_i, e_i, f_{\bar{i}}, e_{\bar{i}}$ form an A_{k-1} bicrystal. We consider words in the alphabet X'_k . For such a word w , The *double weight* of w , denoted $(dw(w, 1), dw(w, 2))$ is the pair (X, Y) , where the i^{th} entry of X records the number of primed i 's in w , and the i^{th} entry of Y records the number of unprimed i 's in w . We have a natural bicrystal structure on such words: $f_i(w)$ and $e_i(w)$ refer to the usual crystal operators on words (e.g., [BS17]) restricted to the nonprimed letters of w , while $f_{\bar{i}}(w)$ and $e_{\bar{i}}(w)$ refer to the usual crystal operator on words (e.g., [BS17]) restricted to the primed letters of w . (The operators never change whether a letter is primed or not.)

Next we consider the (nonshifted) mixed Haiman insertion of a word w , denote $\mathcal{P}(w)$, for a word w from the alphabet X'_k . Given a word $w = w_1 w_2 \dots w_h$ we recursively construct a sequence of tableaux $\emptyset = T_0, T_1, \dots, T_h$. To obtain the tableau T_s , insert the letter w_s into T_{s-1} as follows. First, if w_s is unprimed, insert w_s into the top row of T_{s-1} , bumping out the leftmost element y that is strictly greater than w_s . If w_s is primed, insert w_s into the leftmost column of T_{s-1} , bumping out the uppermost element y that is strictly greater than w_s .

- (1) If y is not primed, then insert it into the next row below, bumping out the leftmost element that is strictly greater than y from that row.
- (2) If y is primed, then insert it into the next column to the right, bumping out the uppermost element that is strictly greater than y from that column.

Continue until an element is inserted which is greater than or equal to all elements in the row/column it is inserted into, and append this element to the end of this row. We define the recording tableau for such an insertion to be the standard Young tableau that records the sequence of shapes of the T_i .

Note that it follows from the symmetry in the definition of Haiman insertion that $\mathcal{P}(w^+) = (\mathcal{P}(w))^+$ and $\mathcal{P}(w^-) = (\mathcal{P}(w))^-$.

Theorem 3.9. [Hai89] *Haiman insertion gives a double weight preserving bijection from words from X'_k to pairs of tableaux (T, S) , where T is a primed tableau and S is a standard Young tableau of the same shape.*

Our next goal is to show that $f_i(\mathcal{P}(w)) = \mathcal{P}(f_i(w))$ (where the lefthand side involves the operator defined in this paper and the right hand side involves the usual crystal operator on primed words restricted to the nonprimed entries). To do this we consider Haiman insertion step by step.

Suppose $w_1 \dots w_h$ is a primed word and that T_i are the tableaux as in the definition of Haiman insertion. For each s define the reading word of $(T_{s-1}, w_s \dots w_h)$ to be the reading word of T concatenated with the unprimed entries of $w_s \dots w_h$. f_i acts on $(T_{s-1}, w_s \dots w_h)$ by selecting the rightmost unbracketed i in its reading word. If this is an element of $w_s \dots w_h$, it simply changes this i to j . Otherwise, f_i acts according to the rules for primed tableaux specified earlier.

Lemma 3.10. *Let $(T_s, w_{s+1} \dots w_h)$ denote the result of applying one insertion step to $(T_{s-1}, w_s \dots w_h)$. Then set $f_i(T_{s-1}, w_s \dots w_h) = (T_{s-1}^*, w_s^* \dots w_h^*)$. Finally, let $(T_s^*, w_{s+1}^* \dots w_h^*)$ denote the result of applying one insertion step to $(T_{s-1}^*, w_s^* \dots w_h^*)$. Then we have $(T_s^*, w_{s+1}^* \dots w_h^*) = f_i(T_s, w_{s+1} \dots w_h)$.*

Proof. First of all, if f_i acts on some w_k for $k > s$ (or is 0) then since (as is easily verified) the reading word of (T_{s-1}, w_s) and the reading word of T_s have the same number of bracketed i s, it follows that f_i acts on $(T_s, w_{s+1} \dots w_h)$ at w_k (or is 0) as well and the result follows. Hence we may assume $h = s$ and $f_i(T_{s-1}, w_s \dots w_h) \neq 0$.

Next, since the f_i operator only concerns i s, j 's, and j s, it suffices “ignore” entries smaller than i or greater than j . In other words it suffices to prove the following: Let T be a primed tableau of arbitrary skew shape composed only of i s, j 's, and j s. Then if z is some inner corner box of T , and $V_z(T)$ denotes removing the entry in box z and continuing mixed Haiman insertion from this point as if the entry of z had been bumped, we have the following equality: $f_i(V_z(T)) = V_z(f_i(T))$, where the operator f_i is applied to a skew tableau just as for a straight shape tableau.

Example 3.11. Set $T = \begin{array}{|c|c|} \hline 2 & 2 \\ \hline 2 & 3' & 3 \\ \hline 3' & & \\ \hline \end{array}$ and let z be the box containing the red entry. To compute $V_z(T)$, we remove

the red 2, insert it in the 2nd row, bumping a 3', which is inserted in the 3rd column, bumping a 3, which is

appended to the 3rd row. Thus $V_z(T) = \begin{array}{|c|c|c|} \hline & & 2 \\ \hline 2 & 2 & 3' \\ \hline 3' & 3 & \\ \hline \end{array}$. Then f_2 acts on $V_z(T) = \begin{array}{|c|c|c|} \hline & & 2 \\ \hline 2 & 2 & 3' \\ \hline 3' & 3 & \\ \hline \end{array}$ via F3 at the blue and

green entries in boxes x and q to give $f_2(V_z(T)) = \begin{array}{|c|c|c|} \hline & & 3' \\ \hline 2 & 2 & 3 \\ \hline 3' & 3 & \\ \hline \end{array}$.

On the other hand f_2 acts on $T = \begin{array}{|c|c|} \hline 2 & 2 \\ \hline 2 & 3' & 3 \\ \hline 3' & & \end{array}$ via F3 at the blue and green entries in boxes x and q to give $f_2(T) = \begin{array}{|c|c|} \hline 2 & 3' \\ \hline 2 & 3 & 3 \\ \hline 3' & & \end{array}$. Then, $V_z(f_2(T))$ is computed by removing the red entry from $f_2(T) = \begin{array}{|c|c|} \hline 2 & 3' \\ \hline 2 & 3 & 3 \\ \hline 3' & & \end{array}$, inserting it into the 2^{nd} row, bumping a 3, which is appended to the 3^{rd} row to give $V_z(f_2(T)) = \begin{array}{|c|c|} \hline 2 & 3' \\ \hline 2 & 2 & 3 \\ \hline 3' & 3 & \end{array}$.

As before, let x and q denote the position of T in which f_i acts. Let r_x , r_q , and r_z denote the rows containing x , q , and z respectively. For each possible way in which $f_i(T)$ could be formed from T , we explain how f_i acts on $V_z(T) := T'$. It is left to the reader to see that applying V_z to $f_i(T)$ has the same result.

- (1) Suppose f_i acts on T by F1 at x .
 - (a) If $r_z > r_x$ then f_i acts on T' by F1 at x unless z is in the column to the left of x and $c(z) = j'$. In this case f_i acts on T' by F3 at x and S_x .
 - (b) If $r_z = r_x$ the row $r_x + 1$ contains no j (otherwise, the i in r_x would be bracketed). If it also contains no j' , then f_i acts by F1 on T' at the last entry of row $r_x + 1$. Otherwise f_i acts by F2 at the last two entries of row $r_x + 1$.
 - (c) If $r_z = r_x - 1$, then f_i acts on T' by F1 at x unless $c(z) = i$. In this case we must have $c(E_x) = j$ (or else the i in z would be unbracketed), so that f_i acts on T' by F1 at E_x .
 - (d) If $r_z < r_x - 1$ then f_i acts on T' by F1 at x .
- (2) Suppose f_i acts on T by F2 at x and E_x .
 - (a) If $r_z > r_x$ then f_i acts on T' by F2 at x and E_x .
 - (b) If $r_z = r_x$ the row $r_x + 1$ contains no j (otherwise, the i in r_x would be bracketed). If it also contains no j' , then f_i acts by F1 on T' at the last entry of row $r_x + 1$. Otherwise f_i acts by F2 at the last two entries of row $r_x + 1$.
 - (c) If $r_z = r_x - 1$, then f_i acts on T' by F2 at x and E_x unless $c(z) = i$. In this case we must have a j to the right of E_x (or else the i in z would be unbracketed), so that f_i acts on T' by F2 at E_x and the position to the right of E_x .
 - (d) If $r_z < r_x - 1$ then f_i acts on T' by F2 at x and E_x .
- (3) Suppose f_i acts on T by F3 at x and q .
 - (a) If $r_z > r_q$ then f_i acts on T' by F3 at x and q unless z is in the column to the left of x and $c(z) = j'$. In this case f_i acts on T' by F3 at x and S_q .
 - (b) If $r_z = r_q$, then $q = E_z$ and $c(z) = i$. If the row $r_q + 1$ contains a j' in the column to the left of q then f_i acts on T' by F3 at x and S_q . Otherwise f_i acts on T' by F3 at x and q .
 - (c) If $r_z = r_q - 1$, then z is above q with $c(z) = i$. If $z \neq x$ then f_i acts on T' by F3 at x and E_q . Otherwise f_i acts on T' by F1 at q .
 - (d) If $r_z < r_q - 1$, and $r_z > r_x$, then f_i acts by F3 at x and q (but one of the boxes in the ribbon defined in F3 has moved diagonally down and to the right).
 - (e) If $r_z < r_q - 1$, and $r_z = r_x + 1$. Then $c(E_x) = j$ and f_i acts on T' by F3 at E_x and q .
 - (f) If $r_z < r_q - 1$, and $r_z = r_x$, then f_i acts by F3 at S_x and q .
 - (g) If $r_z < r_q - 1$ and $r_z < r_x + 1$ then f_i acts on T' by F3 at x and q .

□

It is immediate from this definition and Proposition 3.6 that $e_{\bar{i}}$ and $f_{\bar{i}}$ are also inverses. Moreover, the relationship to Haiman insertion is the same as for the non-barred operators:

Theorem 3.12. $\mathcal{P}(f_i(w)) = f_i(\mathcal{P}(w))$ and $\mathcal{P}(f_{\bar{i}}(w)) = f_{\bar{i}}(\mathcal{P}(w))$.

Proof. The first equality is immediate from Theorem 3.10. For the second, note that:

$$\mathcal{P}(f_{\bar{i}}(w)) = \mathcal{P}((f_i(w^+))^-) = (\mathcal{P}(f_i(w^+)))^- = (f_i(\mathcal{P}(w))^+)^- = f_{\bar{i}}(\mathcal{P}(w)).$$

□

From this and Theorem 3.9 it follows that Haiman insertion is a bicrystal isomorphism, hence proving that the crystal operators do in fact give a type A bicrystal on primed tableaux. From this we conclude:

Theorem 3.13. *For any $\omega \in A_n$:*

$$F_{\omega}^d(\mathbf{x}, \mathbf{y}) = \sum_{T \in E(\omega)} \sum_{S \in \mathcal{H}(\text{sh}(T))} s_{dw(S,1)}(\mathbf{x}) s_{dw(S,2)}(\mathbf{y}),$$

where $\mathcal{H}(\text{sh}(T))$ denotes all primed tableaux S of the same shape as T such that the reading word of S and S^+ are both reverse Yamanouchi words.

Next we give an example of the theorem:

Example 3.14. If $\omega = 121$, then

$$E(\omega) = \left\{ \begin{array}{|c|c|} \hline 1 & 2 \\ \hline 2 & \\ \hline \end{array} \right\}$$

$$\mathcal{H}(2, 1) = \left\{ \begin{array}{|c|c|}, \begin{array}{|c|c|}, \begin{array}{|c|c|}, \begin{array}{|c|c|}, \begin{array}{|c|c|}, \begin{array}{|c|c|} \\ \hline 1 & 1 \\ \hline 2 & \end{array}, \begin{array}{|c|c|} \\ \hline 1' & 1 \\ \hline 1 & \end{array}, \begin{array}{|c|c|} \\ \hline 1' & 1 \\ \hline 2 & \end{array}, \begin{array}{|c|c|} \\ \hline 1' & 1 \\ \hline 1' & \end{array}, \begin{array}{|c|c|} \\ \hline 1' & 2' \\ \hline 1 & \end{array}, \begin{array}{|c|c|} \\ \hline 1' & 2' \\ \hline 1' & \end{array} \right\}$$

$$F_{\omega}^d(\mathbf{x}, \mathbf{y}) = s_{21}(\mathbf{x}) + s_2(\mathbf{x})s_1(\mathbf{y}) + s_{11}(\mathbf{x})s_1(\mathbf{y}) + s_1(\mathbf{x})s_2(\mathbf{y}) + s_1(\mathbf{x})s_{11}(\mathbf{y}) + s_{21}(\mathbf{y})$$

4. PRIMED SIGNED TABLEAUX

In this section we prove that primed tableaux and signed tableaux are in bijective correspondence. This will then allow us to investigate the algebraic relationship between the type A Stanley symmetric function and the double Stanley symmetric function (see the end of the section).

If $T \in PST(\lambda/\mu, X, Y, j)$, then we may obtain an element of $PST(\lambda/\mu, X, Y, j-1)$ if $j > 0$ by applying the following *inward conversion*² procedure to T $X(j)$ times:

- (1) Change the uppermost primed j in T to a barred j .
- (2) Repeat the following procedure until all rows and columns are weakly increasing: Switch the lowermost barred j with either the entry above it or to its left, determined as follows:
 - If only one of the entries exists, take it.
 - If these entries are not equal, take the larger.
 - If they are equal and are unmarked, take the one above.
 - If they are equal and are marked, take the one on the left.

It is not immediately clear that the result is in fact a PST —namely it seems possible that the result of the algorithm above may contain two or more barred j s in the same row. To see this is impossible we reason as follows: For each of the $X(j)$ conversions, let the corresponding *conversion path* be the set of boxes which are altered during this conversion. If $p_1, \dots, p_{X(j)}$ denote these paths, then it is not difficult to check the following.

Lemma 4.1. *Let $1 \leq i < X_j$. If b is the highest box in its column that belongs to p_i then neither b nor any box above b in this column belongs to p_{i+1} . Further, any box in p_{i+1} that lies to the left of the upper leftmost box of p_i also lies below it.*

This implies there will never be more than one barred j in any row during the inward conversions.

²A somewhat similar definition appears in [Hai89] for the case where letters may not be repeated. In fact, one can use a certain standardization process along with Haiman's mixed insertion, Haiman's conversion, and Haiman's Theorem 3.12, [Hai89] to derive Theorem 4.4 below for the specific case of $\mu = \emptyset$, i.e., for straightshape tableaux. However, the proofs needed to do this are somewhat more complicated than those employed below, and the result, of course, less general.

Example 4.2. Applying inward conversion twice to $\begin{array}{|c|c|c|c|} \hline -4 & -3 & 1 & 4 \\ \hline -4 & 1' & 2' & \\ \hline -3 & 1 & 2' & \\ \hline 2 & 2 & & \\ \hline \end{array}$ yields $\begin{array}{|c|c|c|c|} \hline -4 & -3 & -2 & 4 \\ \hline -4 & -2 & 1' & \\ \hline -3 & 1 & 1 & \\ \hline 2 & 2 & & \\ \hline \end{array}$.

Similarly, if $T \in PST(\lambda/\mu, X, Y, j)$, then we may obtain an element of $PST(\lambda/\mu, X, Y, j+1)$ if $j < k$ by the *outward conversion* procedure to $T X(j+1)$ times:

- (1) Change the lowermost barred j in T to a primed j if it exists.
- (2) Repeat the following procedure until all rows and columns are weakly increasing: Switch the uppermost primed j with either the entry below it or to its right, determined as follows:
 - If only one of the entries exists, take it.
 - If these entries are not equal, take the smaller.
 - If they are equal and are unmarked, take the one below.
 - If they are equal and are marked, take the one on the right.

Analogously, we have: If $q_1, \dots, q_{X(j)}$ denote the conversion paths, then it is not difficult to check the following.

Lemma 4.3. *Let $1 \leq i < X_j$. If b is the lowest box in its column which belongs to q_i then neither b nor any box below q in this column belongs to q_{i+1} . Further, any box in q_{i+1} that lies to the right of the lower rightmost box of q_i also lies above it.*

This implies there will never be more than one barred j in any column during the outward conversions.

This construction leads to the major result of this section:

Theorem 4.4. *Fix λ, μ, X , and Y . Then for any $1 \leq j \leq k$ there is a bijection $PST(\lambda/\mu, X, Y, j) \Rightarrow PST(\lambda/\mu, X, Y, j-1)$.*

Proof. The bijection is given by applying inward conversion $X(j)$ times (and the inverse by applying outward conversion $X(j)$ times). \square

Definition 4.5. Let $X, Y \in \mathbb{Z}_{\geq 0}^k$.

A *signed tableau* of shape λ/μ and double weight (X, Y) is an element of $PST(\lambda, \mu, X, Y, 0)$.

Corollary 4.6. *Letting $PT(\lambda/\mu)$ denote the set of all primed tableaux of shape λ/μ and $ST(\lambda/\mu)$ denote the set of all signed tableaux of shape λ/μ , there is a double weight preserving bijection: $PT(\lambda/\mu) \Rightarrow ST(\lambda/\mu)$.*

Given any symmetric function F we may consider its value on the doubled set of variables (\mathbf{x}, \mathbf{y}) , denoted simply $F(\mathbf{x}, \mathbf{y})$. Applying the involution on the ring of symmetric functions ω defined by condition $\omega(s_\lambda(\mathbf{x})) = s_\lambda(\mathbf{x})$ to the function $F(\mathbf{x}, \mathbf{y})$ considered as function in the variable \mathbf{x} (over the ring of symmetric functions in \mathbf{y}) yields a symmetric function which we denote $F(\mathbf{x}/\mathbf{y})$. Since it follows from 4.6 that

$$R_{\lambda/\mu}(x, y) := \sum_{T \in PT(\lambda/\mu)} x^{dw(T,1)} y^{dw(T,2)} = \sum_{T \in ST(\lambda/\mu)} x^{dw(T,1)} y^{dw(T,2)},$$

it is clear from the definition of $ST(\lambda/\mu)$ that we have $R_{\lambda/\mu}(\mathbf{x}, \mathbf{y}) = s_{\lambda/\mu}(\mathbf{x}/\mathbf{y})$. From this and Theorem 2.8 it follows that for all $\omega \in A_n$, $F_\omega^d(\mathbf{x}, \mathbf{y}) = F_\omega^A(\mathbf{x}/\mathbf{y})$. In particular this implies a relationship first noted by Lam ([Lam95]): $F_\omega^C(\mathbf{x}) = F_\omega^d(\mathbf{x}, \mathbf{x}) = F_\omega^A(\mathbf{x}/\mathbf{x})$ for $\omega \in A_n$.

5. CONJECTURES FOR TYPE C

Recall that the concept of $RSIF_k$ was defined for any $\omega \in C_{n+1}$, not just $\omega \in A_n$. However, we only defined $F_\omega^d(\mathbf{x}, \mathbf{y})$ for elements of A_n . This is because, unfortunately, generalizing $F_\omega^d(\mathbf{x}, \mathbf{y})$ in the canonical manner to C_{n+1} does not result in a symmetric function. There are some cases however, where $F_\omega^d(\mathbf{x}, \mathbf{y})$ does exhibit some nice symmetry properties when we generalize to elements outside of A_n . The approaches needed to investigate this symmetry are unrelated to those in the rest of the paper and are relatively technical so we will not include them in detail, but rather give a short overview of some constructions and conjectures.

Definition 5.1. We say an element $\omega \in C_{n+1}$ is *unknotted*³ if the following hold for all reduced words w for ω :

- (1) If the sequence $s_0 s_1 s_0 s_1$ appears in w , then s_2 does not.
- (2) For $i > 0$ if the sequence $s_i s_{i+1} s_i$ appears in w then s_{i+2} does not.

For instance, the permutations corresponding to the reduced words, $s_1 s_2 s_3 s_4 s_5 s_4$, $s_2 s_1 s_0 s_1 s_2 s_3 s_2$, $s_1 s_0 s_1 s_0 s_3 s_4 s_3$, and $s_2 s_1 s_3 s_2 s_4 s_3$ are *unknotted*.

Definition 5.2. A *signed Edelman-Greene tableau* for an unknotted signed permutation, ω , is a tableau composed of entries from the alphabet $\{\dots < -3 < -2 < -1 < 0 < 1 < 2 < 3 < \dots\}$ such that:

- (1) The reading word of T , obtained from reading the rows of T left to right, bottom to top and then changing any i or $-i$ to s_i is a reduced word for ω .
- (2) The rows and columns of T are weakly increasing.
- (3) Whenever $T_{ij} = T_{(i+1)j}$ then we have one of:
 - There exists $k > j$ such that $|T_{(i+1)k}| = |T_{ij}| + 1$.
 - There exists $l < j$ such that $|T_{il}| = |T_{ij}| + 1$.
 - $T_{ij} = -1 = T_{(i+1)j}$ and $T_{i(j+1)} = 0 = T_{(i+1)(j+1)}$.

Example 5.3. The following is a signed Edelman-Greene tableau for the unknotted signed permutation $\{-2, -1, 5, 4, 3, 8, 7, 6\} \in C_8$:

-7	-1	0	6
-3	-1	0	6
-3	4		

since its reading word $s_3 s_4 s_3 s_1 s_0 s_6 s_7 s_1 s_0 s_6$ produces the given signed permutation, and each of the four instances of repeated entries in a column is allowed by rule (3).

We are now ready to state the three conjectures of this section.

Conjecture 5.4. Suppose $\omega \in C_{n+1}$ is unknotted, Then we have:

$$F_{\omega}^d(\mathbf{x}, \mathbf{x}) = \sum_{\lambda} \bar{E}_{\omega}^{\lambda} s_{\lambda}(\mathbf{x})$$

where $\bar{E}_{\omega}^{\lambda}$ is the number of signed Edelman-Greene tableaux for ω with shape λ .

Conjecture 5.5. Suppose $\omega \in C_{n+1}$ is unknotted and any reduced word for ω has at most one s_0 . Then:

$$F_{\omega}^d(\mathbf{x}, -\mathbf{x}) = \sum_{r \text{ even}} \sum_{\lambda} \bar{E}_{\omega}^{\lambda r} s_{\lambda}(\mathbf{x}) - \sum_{r \text{ odd}} \sum_{\lambda} \bar{E}_{\omega}^{\lambda r} s_{\lambda}(\mathbf{x})$$

where $\bar{E}_{\omega}^{\lambda r}$ is the number of signed Edelman-Greene tableaux for ω with shape λ and exactly r barred entries.

Conjecture 5.6. Suppose $\omega \in C_{n+1}$ is unknotted and any reduced word for ω has no s_0 (i.e., $\omega \in A_n$). Then:

$$F_{\omega}^d(\mathbf{x}, t\mathbf{x}) = \sum_{\lambda} \bar{E}_{\omega}^{\lambda r} s_{\lambda}(\mathbf{x}) t^r$$

where $\bar{E}_{\omega}^{\lambda r}$ is the number of signed Edelman-Greene tableaux for ω with shape λ and exactly r barred entries.

³The conjectures of this section are theorems if we replace unknotted with the slightly stronger concept of *untangled*. An element $\omega \in C_{n+1}$ is *untangled* if for all reduced words w for ω :

- (1) s_2 does not appear in w .
- (2) For $i > 2$, if s_i and s_{i+1} appear in w , and one of s_i or s_{i+1} appears more than once, then s_{i-1} and s_{i+2} do not appear in w .

However, we do not provide the proofs here.

$$\begin{array}{c}
\boxed{-2} \boxed{1} \boxed{2} \quad \boxed{-2} \boxed{-1} \boxed{2} \\
\\
\begin{array}{cccccc}
\boxed{1} \boxed{2} & \boxed{-1} \boxed{2} & \boxed{-2} \boxed{1} & \boxed{-2} \boxed{-1} & \boxed{-2} \boxed{1} & \boxed{-2} \boxed{-1} \\
\boxed{2} & \boxed{2} & \boxed{1} & \boxed{1} & \boxed{-1} & \boxed{-1}
\end{array} \\
\\
\begin{array}{cc}
\boxed{-2} & \boxed{-2} \\
\boxed{1} & \boxed{-1} \\
\boxed{2} & \boxed{2}
\end{array}
\end{array}$$

By conjecture 5.4, $F_\omega^d(\mathbf{x}, \mathbf{x}) = 2s_3(\mathbf{x}) + 6s_{21}(\mathbf{x}) + 2s_{111}$.

By conjecture 5.5, $F_\omega^d(\mathbf{x}, -\mathbf{x}) = 0$.

By conjecture 5.6, $F_\omega^d(\mathbf{x}, t\mathbf{x}) = s_{21}(\mathbf{x}) + ts_3(\mathbf{x}) + 2ts_{21}(\mathbf{x}) + ts_{111}(\mathbf{x}) + t^2s_3(\mathbf{x}) + 2t^2s_{21}(\mathbf{x}) + t^2s_{111}(\mathbf{x}) + t^3s_{21}(\mathbf{x})$.

Remark 5.10. We will call a signed Edelman-Greene tableau for ω a *signed unimodal tableau* for ω if changing all $-i$ to i for each i produces a *unimodal tableau* for ω as defined in 3.1 of [HPS17] (after sliding rows to attain a shifted shape).

Example 5.11. The signed unimodal tableaux that appear in example 5.7 are:

$$\begin{array}{cccc}
\boxed{-3} \boxed{-1} \boxed{0} \boxed{1} & \boxed{-1} \boxed{0} \boxed{1} \boxed{3} & \boxed{-3} \boxed{-1} \boxed{0} & \boxed{-3} \boxed{0} \boxed{1} \\
\boxed{0} & \boxed{0} & \boxed{-1} \boxed{0} & \boxed{0} \boxed{1}
\end{array}$$

Example 5.12. The signed unimodal tableaux that appear in example 5.8 are:

$$\begin{array}{ccc}
\boxed{-2} \boxed{0} \boxed{1} \boxed{2} & \boxed{-2} \boxed{1} \boxed{2} & \boxed{-2} \boxed{-1} \boxed{2} \\
\boxed{0} & \boxed{0} & \boxed{0}
\end{array}$$

Example 5.13. The signed unimodal tableaux that appear in example 5.9 are:

$$\begin{array}{cccccc}
\boxed{-2} \boxed{1} \boxed{2} & \boxed{-2} \boxed{-1} \boxed{2} & \boxed{-2} \boxed{1} & \boxed{-2} \boxed{-1} & \boxed{-2} \boxed{1} & \boxed{-2} \boxed{-1} \\
\boxed{1} & \boxed{1} & \boxed{1} & \boxed{1} & \boxed{-1} & \boxed{-1}
\end{array}$$

It is apparent from the definitions of F_ω^d and F_ω^C given in section 1 that $2^{ze(\omega)} F_\omega^d(\mathbf{x}, \mathbf{x}) = F_\omega^C(\mathbf{x})$ where $ze(\omega)$ is the number of s_0 in a reduced word for ω . From this and equation (3.3) of [HPS17] it can be deduced that:

$$F_\omega^d(\mathbf{x}, \mathbf{x}) = \sum_{\lambda} \bar{U}_\omega^\lambda P_\lambda(\mathbf{x}),$$

where \bar{U}_ω^λ is the number of signed unimodal tableaux for ω with shape λ . If ω is unknotted we may apply conjecture 5.4 to the left hand side and expand the right hand side in terms of Schur polynomials to get:

$$\sum_{\mu} \bar{E}_\omega^\mu s_\mu(\mathbf{x}) = \sum_{\lambda} \sum_{\mu} \bar{U}_\omega^\lambda h_{\lambda\mu} s_\mu(\mathbf{x}),$$

where $h_{\lambda\mu}$ is the multiplicity of s_μ in the Schur expansion of P_λ . Since $h_{\lambda\lambda} = 1$ and $h_{\lambda\mu} = 0$ for $\mu < \lambda$ in dominance order, it follows that if μ is maximal such $\bar{E}_\omega^\mu > 0$ then $\bar{E}_\omega^\mu = \bar{U}_\omega^\mu$. Hence, for such maximal μ the set of signed Edelman-Greene tableau for ω with shape μ must be equal to the set of signed unimodal tableau for ω with shape μ .

REFERENCES

- [BH95] Sara Billey and Mark Haiman. Schubert polynomials for the classical groups. *J. Amer. Math. Soc.*, 8(2):443–482, 1995.
- [BS17] Daniel Bump and Anne Schilling. *Crystal Bases: Representations and Combinatorics*. World Scientific, 2017.
- [EG87] Paul Edelman and Curtis Greene. Balanced tableaux. *Adv. in Math.*, 63(1):42–99, 1987.
- [FK96] Sergey Fomin and Anatol N. Kirillov. Combinatorial B_n -analogues of Schubert polynomials. *Trans. Amer. Math. Soc.*, 348(9):3591–3620, 1996.
- [Hai89] Mark Haiman. On mixed insertion, symmetry, and shifted Young tableaux. *J. Combin. Theory Ser. A*, 50(2):196–225, 1989.

- [HPS17] Graham Hawkes, Kirill Paramonov, and Anne Schilling. Crystal analysis of type C Stanley symmetric functions. *Electron. J. Combin.*, 24(3):Paper P3.51, 2017.
- [Lam95] Tao Kai Lam. *B and D analogues of stable Schubert polynomials and related insertion algorithms*. ProQuest LLC, Ann Arbor, MI, 1995. Thesis (Ph.D.)—Massachusetts Institute of Technology.
- [Len04] Christian Lenart. A unified approach to combinatorial formulas for schubert polynomials. *J. Algebraic Combin.*, 20:263–299, 2004.
- [MS16] Jennifer Morse and Anne Schilling. Crystal approach to affine Schubert calculus. *Int. Math. Res. Not. IMRN*, (8):2239–2294, 2016.
- [Sta84] Richard P. Stanley. On the number of reduced decompositions of elements of Coxeter groups. *European J. Combin.*, 5(4):359–372, 1984.

(G. Hawkes) DEPARTMENT OF MATHEMATICS, UNIVERSITY OF CALIFORNIA, DAVIS, ONE SHIELDS AVENUE, DAVIS, CA 95616, USA
Current address, G. Hawkes: Max-Planck-Institut für Mathematik, Vivatsgasse 7, 53111 Bonn, Germany
E-mail address: hawkes@math.ucdavis.edu
URL: <https://www.math.ucdavis.edu/~hawkes/>