

A Centralized Power Control and Management Method for Grid-Connected Photovoltaic (PV)-Battery Systems

Zhehan Yi

Department of Electrical and
Computer Engineering
The George Washington University
Washington, DC 20052
Email: zhehanyi@gwu.edu

Wanxin Dong

Department of Electrical and
Computer Engineering
The George Washington University
Washington, DC 20052
Email: wanxindong@gwu.edu

Amir H. Etemadi

Department of Electrical and
Computer Engineering
The George Washington University
Washington, DC 20052
Email: etemadi@gwu.edu

Abstract—Distributed Generation (DG) is an effective way of integrating renewable energy sources to conventional power grid, which improves the reliability and efficiency of power systems. Photovoltaic (PV) systems are ideal DGs thanks to their attractive benefits, such as availability of solar energy and low installation costs. Battery groups are used in PV systems to balance the power flows and eliminate power fluctuations due to change of operating condition, e.g., irradiance and temperature variation. In an attempt to effectively manage the power flows, this paper presents a novel power control and management system for grid-connected PV-Battery systems. The proposed system realizes the maximum power point tracking (MPPT) of the PV panels, stabilization of the DC bus voltage for load plug-and-play access, balance among the power flows, and quick response of both active and reactive power demands.

I. INTRODUCTION

Contributions of renewable energy to power generation have been increasing exponentially in the past decades, due largely to the fossil energy crisis, increasing electricity demands, and environment degradation. Power grids in the near future is expected to be equipped with great penetration of renewable energy with effective supply-demand management systems for highly reliable and economical operations [1]. Distributed generation (DG), through which electric power is generated on-site instead of centrally, is providing a powerful solution of integrating renewable power generators to the conventional utility grids. Among numerous renewable generations, solar photovoltaic (PV) system is one of the most attractive renewable power system because of its various benefits, such as flexibility of scales and low installation costs. Moreover, as the price continues to decline, global PV installation capacity is expected to increase in recent years [2]. As the penetration of solar power expands, future grid-connected PV systems are required to provide more reliable power. Otherwise, power fluctuations in PV systems will bring certain reliability issues to the utility grids and to electricity users.

PV output power oscillates frequently during a day as the operating environment (temperature or solar irradiance) changes [2]–[4]. Therefore, to maintain a stable output, battery

storages are necessary on the DC side of a PV system to compensate the differences caused by change of operating condition, for example, cloud shading over the PV panels. Excess power can also be stored in the batteries for later demands, or to trade back to the utility in the future. Additionally, there are usually loads on the DC bus, making the system a DC microgrid. Therefore, the control schemes for PV-battery systems should be able to stabilize the power supply to the DC loads, balance the power flows inside the DC side, and effectively manage the power communications with the grid.

A number of control schemes for PV-battery units have been proposed in the literature. An autonomous control strategy is presented in [5] for PV-battery systems by droop control. The battery group is charged through the AC bus, which increases the costs for the charger inverter. Furthermore, this strategy only works for islanded but not for grid-connected PV systems. Other islanded PV control systems are also proposed in references [6] and [7]. Again, these methods are not applicable to grid-connected PV systems, which are widely used in the industry. A hierarchical control scheme is designed in [8] for a grid-connected multi-source PV systems, which is primarily used for self-feeding buildings equipped with PV arrays and battery storages. This system requires complicated supervision algorithm using Petri nets (PNs), and the DC bus voltage oscillations is not well eliminated. Literature [9] presents an optimal charging/discharging method in PV-battery system that reduces the line loss of distribution systems. However, this method only schedules the battery charging and discharging but does not comprehensively manage the power flows of the entire system. There are also other control strategies introduced in [10], [11], which mainly focus on the optimization of operational costs. Nevertheless, these paper does not introduce the detailed control methods.

In an attempt to address the aforementioned issues, this paper proposes a power management and control system for grid-connected PV-battery power systems, which balances the power flows flexibly and maintains a reliable power supply to demands in different circumstances. Control methods in

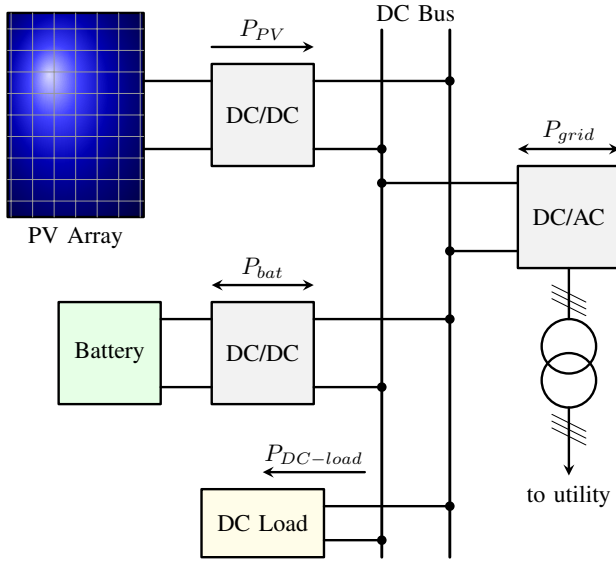


Fig. 1. A typical grid-connected PV-Battery system.

the system are designed to achieve a flexible but reliable power output to fulfill demands from the utility grid, and the loads on the DC bus, by intelligently managing the charging/discharging processes of the battery and switching the power generating control modes for the PV arrays. In the following contents: Section II briefly introduces a typical grid-connected PV-battery system, followed by the proposed power control and management system with detailed control schemes for each part; case studies are carried out in Section III to verify its performance; Section IV presents the conclusion of this paper.

II. GRID-CONNECTED PV-BATTERY SYSTEMS AND THE PROPOSED POWER CONTROL AND MANAGEMENT SYSTEM

A. Typical Configuration of Grid-Connected PV-Battery System

A typical PV-battery system is illustrated in Fig. 1, which consists of a PV array, battery storages, DC/DC converters that connect the PV array and the battery to the DC bus, DC load, a DC/AC inverter and a transformer to bridge the DC microgrid to the utility grid [1], [12]. The power generated by the PV array is a function of irradiance during a day, and due to the non-linear characteristics of PV, for different irradiance level, there is a operating voltage V_{MPP} where the PV array is extracted the maximum power. Therefore, maximum power point tracking (MPPT) algorithms are implemented in PV systems, usually through a DC/DC converter, to optimize the power generation [13]–[15]. The charging or discharging process of the battery storage is controlled by another DC/DC converter. DC loads, on the other hand, can be plugged in the DC microgrid directly or through converters. Therefore, if the control strategies are able to stabilize the DC bus voltage while balancing the power flow, converters can be omitted for load access, making the system more convenient and economical.

B. The Power Control and Management System

While some power flows in the PV-battery systems have to be unidirectional, e.g., power flows from the PV to the DC bus (P_{PV}) and power consumed by the DC load ($P_{DC-load}$), some should be bidirectional, e.g., power charging or discharging the battery (P_{bat}) and power communicates with the utility grid (P_{grid}). Therefore, to keep the power balanced in the system, the following equation should always be fulfilled:

$$P_{PV} + P_{bat} = P_{grid} + P_{DC-load} + P_{loss} \quad (1)$$

where P_{loss} is the power loss in the power converters, transformer, and transmission lines, which is usually negligible. $P_{bat} > 0$ and $P_{bat} < 0$ indicates discharging and charging mode of the battery, respectively; $P_{grid} > 0$ means the power is being transferred from the DC microgrid to the utility grid, and vice versa. A power control and management system is designed (Fig. 2), which supervises the status of each generation and load in the system, and, depending on the situations, determines the references for the PV power, DC bus voltage, battery charging/discharging power, and the active and reactive power through the inverter. Detailed control schemes are elaborated as follows.

1) *PV Generation Control*: The power control for the PV array can be switched between MPPT control mode and power reference control mode, depending on the SOC of battery, DC load demand $P_{DC-load}$ and the grid-requested power P_{grid} . When the battery is not fully charged ($SOC < 95\%$), $P_{DC-load}$ is met, and the utility grid is requesting the DC microgrid system to provide maximum power as it can, the PV array will be controlled under MPPT mode. On the other hand, if the battery is fully charged ($SOC \geq 95\%$), DC load demand ($P_{DC-load}$) is fulfilled, and the grid is not able to consumed the excess PV power, MPPT will turn off, and the PV will be switched to power reference control mode, where the reference is given by the following equation.

$$P_{PV-ref} = P_{grid} + P_{DC-load} \quad (2)$$

When working under MPPT mode, the voltage and current of the PV array, V_{PV} and I_{PV} , are extracted and fed into the management system to obtain a voltage reference V_{MPP} , and generate a gating signal T_{PV} for the switching control of the DC/DC (boost) converter. Incremental conductance (IncCond) MPPT, one of the most well-known MPPT algorithm [16], is employed in this research. The control scheme is presented in Fig. 3.

2) *Battery Charging/Discharging Control*: The operating mode of battery, i.e., charging/discharging or the sign of P_{bat} , is not only subject to equation (1), but also depending on the state of charge (SOC) of the battery. Namely, there are maximum and minimum limits for SOC, which is set to be 95% and 20% respectively in this scheme, to eliminate the degradations and extend the life cycle of the battery. A bidirectional DC/DC converter is used to control the charging and discharging of battery (Fig. 4 (a)), and the control scheme is illustrated in Fig. 4 (b), where $P_{bat-mes}$ and $P_{bat-ref}$

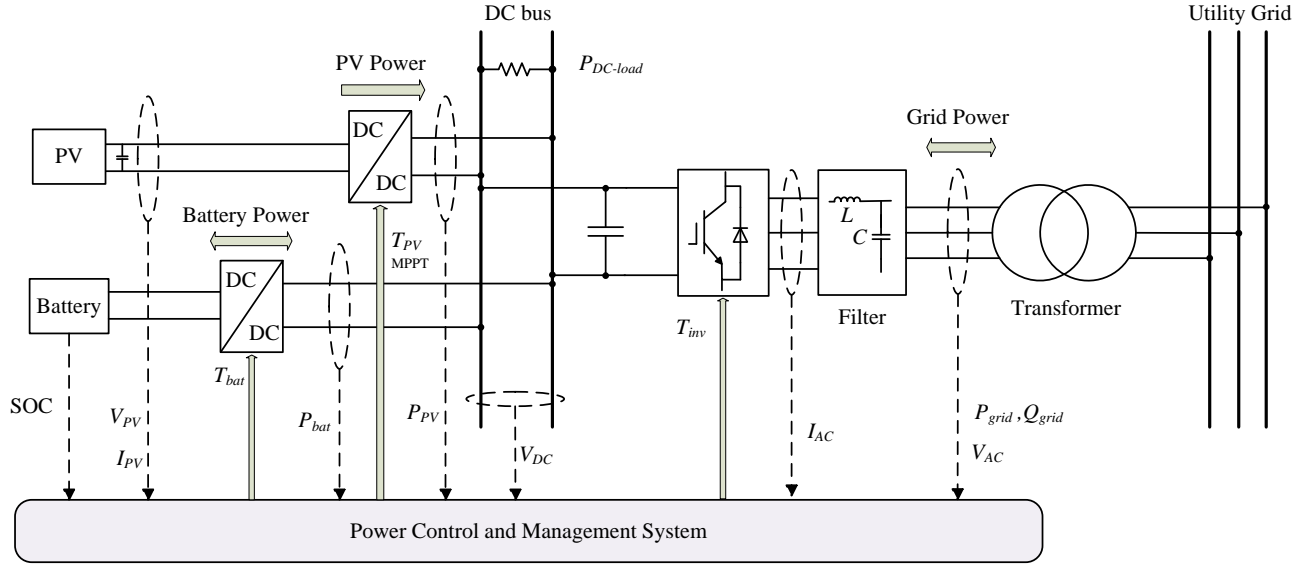


Fig. 2. The proposed power control and management system for grid-connected PV-battery power systems.

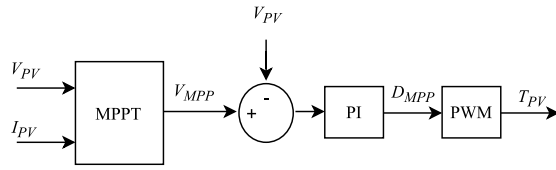
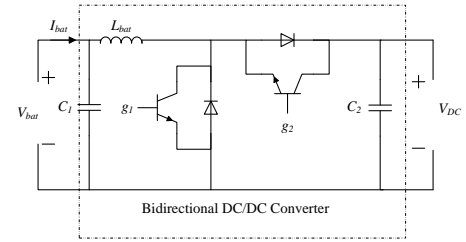
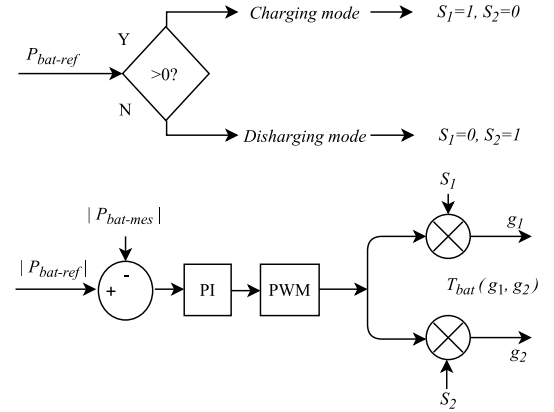


Fig. 3. MPPT control of the PV array.



(a)



(b)

Fig. 4. (a) Bidirectional DC/DC converter for battery charging/discharging; (b) Battery charging/discharging control scheme.

is the measured and desired power flowing in the converter, respectively.

3) *Inverter Control*: An inverter is necessary to convert the DC power to AC power, and connect the DC microgrid to the utility grid via the point of common coupling (PCC). Fig. 5 illustrates the control scheme for the inverter, which aims at stabilizing the DC bus voltage, V_{DC} , and controlling the reactive power, Q , flowing through the inverter. I_d and I_q are the obtained from the three-phase AC current I_{AC} (Fig. 2) by Clark transform. The active power flows in the inverter is controlled according equation (1), i.e., controlling P_{PV} and P_{bat} so that P_{grid} is controlled.

III. CASE STUDIES

In order to verify the proposed control strategies discussed in Section II, case studies are carried in this section using the PSCAD software package. A grid-connected PV-battery is set up using the configuration in Fig. 2, where the parameters are listed in Table. I. According to various statuses of the battery SOC, PV generation (P_{PV}), DC load demand, and utility demand (P_{grid}), multiple cases are simulated and the results are presented as follows.

Case 1: When there is excess power from the PV array after fulfilling the DC load and AC demand, while the battery is not fully charged ($P_{PV} > P_{DC-load} + P_{grid}$, SOC < 95%),

the excess PV power will be transferred and stored in the battery. The power flows in the system are shown in Fig. 6 - Case 1, which illustrates the balanced power in the system: the PV array is working in MPPT mode which provides P_{PV} (165 kW in Fig. 6 - Case 1), while the DC load is constant at

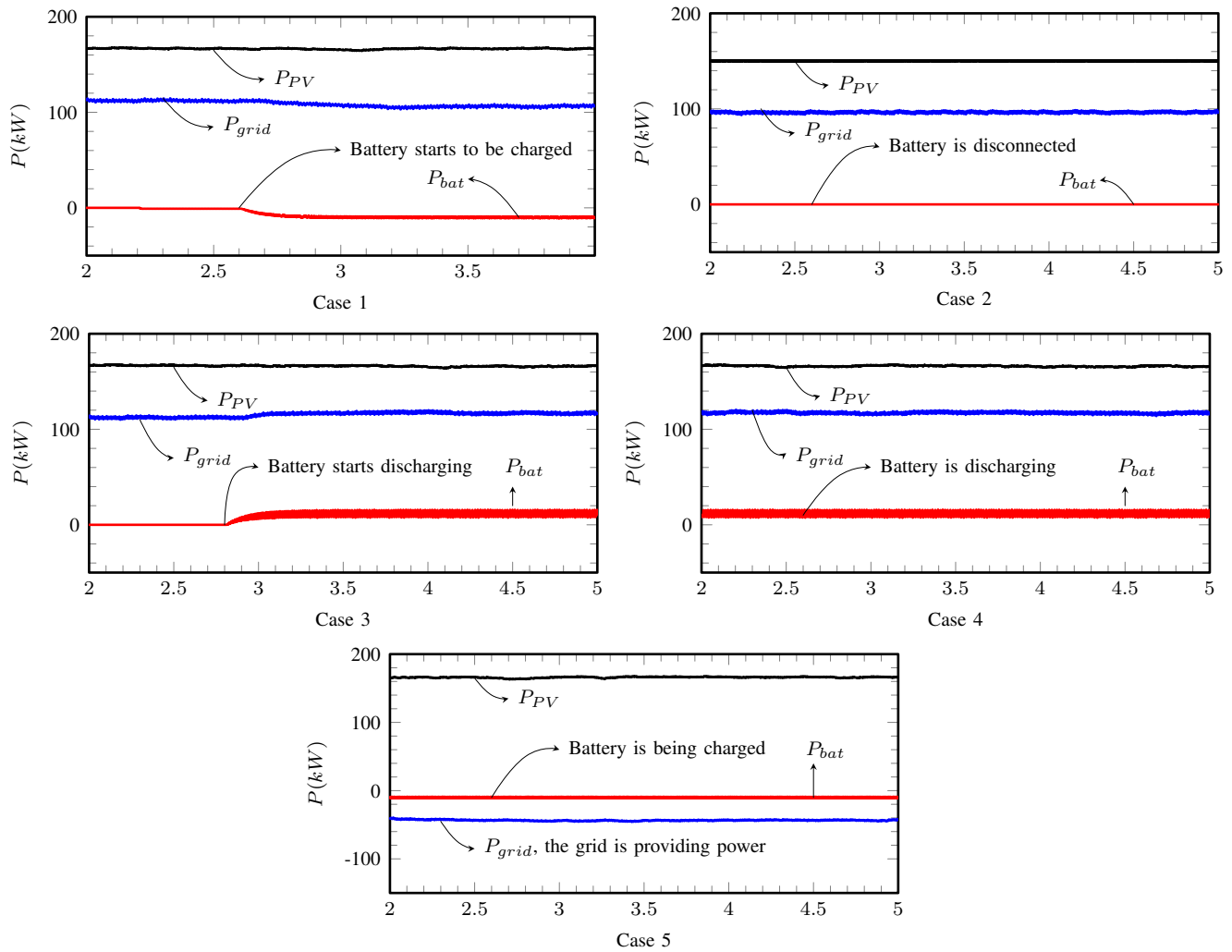


Fig. 6. Power flows in the case studies (the x axis represents time in second).

- [5] H. Mahmood, D. Michaelson, and J. Jiang, "Strategies for independent deployment and autonomous control of pv and battery units in islanded microgrids," *IEEE Journal of Emerging and Selected Topics in Power Electronics*, vol. 3, no. 3, pp. 742–755, Sept 2015.
- [6] F. Locment, M. Sechilariu, and I. Houssamo, "DC load and batteries control limitations for photovoltaic systems. experimental validation," *IEEE Transactions on Power Electronics*, vol. 27, no. 9, pp. 4030–4038, Sept 2012.
- [7] H. Mahmood, D. Michaelson, and J. Jiang, "A power management strategy for pv/battery hybrid systems in islanded microgrids," *IEEE Journal of Emerging and Selected Topics in Power Electronics*, vol. 2, no. 4, pp. 870–882, Dec 2014.
- [8] M. Sechilariu, B. Wang, and F. Locment, "Building integrated photovoltaic system with energy storage and smart grid communication," *IEEE Transactions on Industrial Electronics*, vol. 60, no. 4, pp. 1607–1618, April 2013.
- [9] J. H. Teng, S. W. Luan, D. J. Lee, and Y. Q. Huang, "Optimal charging/discharging scheduling of battery storage systems for distribution systems interconnected with sizeable pv generation systems," *IEEE Transactions on Power Systems*, vol. 28, no. 2, pp. 1425–1433, May 2013.
- [10] Y. Riffonneau, S. Bacha, F. Barruel, and S. Ploix, "Optimal power flow management for grid connected PV systems with batteries," *IEEE Transactions on Sustainable Energy*, vol. 2, no. 3, pp. 309–320, July 2011.
- [11] J. Li, Z. Wu, S. Zhou, H. Fu, and X. P. Zhang, "Aggregator service for pv and battery energy storage systems of residential building," *CSEE Journal of Power and Energy Systems*, vol. 1, no. 4, pp. 3–11, Dec 2015.
- [12] Z. Yi, "Solar photovoltaic (PV) distributed generation systems - control and protection," Ph.D. dissertation, 2017, copyright - Database copyright ProQuest LLC; ProQuest does not claim copyright in the individual underlying works; Last updated - 2017-08-21. [Online]. Available: <http://proxygw.wrlc.org/login?url=https://search-proquest-com.proxygw.wrlc.org/docview/1924969622?accountid=11243>
- [13] M. M. R. Singaravel and S. A. Daniel, "Mppt with single dc-dc converter and inverter for grid-connected hybrid wind-driven PMSG-PV system," *IEEE Transactions on Industrial Electronics*, vol. 62, no. 8, pp. 4849–4857, Aug 2015.
- [14] E. Roman, R. Alonso, P. Ibanez, S. Elorduizapatarietxe, and D. Goitia, "Intelligent pv module for grid-connected pv systems," *IEEE Transactions on Industrial Electronics*, vol. 53, no. 4, pp. 1066–1073, June 2006.
- [15] M. S. Agamy, S. Chi, A. Elasser, M. Harfman-Todorovic, Y. Jiang, F. Mueller, and F. Tao, "A high-power-density dc-dc converter for distributed pv architectures," *IEEE Journal of Photovoltaics*, vol. 3, no. 2, pp. 791–798, April 2013.
- [16] D. Sera, L. Mathe, T. Kerekes, S. V. Spataru, and R. Teodorescu, "On the perturb-and-observe and incremental conductance mppt methods for pv systems," *IEEE Journal of Photovoltaics*, vol. 3, no. 3, pp. 1070–1078, July 2013.