

Automatic differentiation of hybrid models Illustrated by Diffedge Graphic Methodology.

(Survey)

John Masse^(a), Clara Masse^(b), François Ollivier^(c)

(a) APPEDGE 18–22, rue d’Arras
92000 Nanterre, France

(b) Esilv 12 Avenue Léonard de Vinci
92400 courbevoie, France

(c) LIX, UMR CNRS – École polytechnique n° 7161
F-91128 Palaiseau cedex, France

E-mails: john.masse@appedge.com

E-mails: clara.masse@devinci.fr

E-mails: francois.ollivier@lix.polytechnique.fr

June 2017

Abstract

We investigate the automatic differentiation of hybrid models, *viz.* models that may contain delays, logical tests and discontinuities or loops. We consider differentiation with respect to parameters, initial conditions or the time. We emphasize the case of a small number of derivations and iterated differentiations are mostly treated with a focus on high order iterations of the same derivation. The models we consider may involve arithmetic operations, elementary functions, logical tests but also more elaborate components such as delays, integrators, equations and differential equations solvers. This survey has no pretention to exhaustivity but tries to fill a gap in the litterature where each kind of component may be documented, but seldom their common use.

The general approach is illustrated by computer algebra experiments, stressing the interest of performing differentiation, whenever possible, on high level objects, before any translation in Fortran or C code. We include ordinary differential systems with discontinuity, with a special interest for those coming from discontinuous Lagrangians.

We conclude with an overview of the graphic methodology developed in the Diffedge software for Simulink hybrid models. Not all possibilities are covered, but the methodology can be adapted. The result of automatic differentiation is a new block diagram and so it can be easily translated to produce real time embedded programs.

We welcome any comments or suggestions of references that we may have missed.

Key words. — Automatic differentiation, Hybrid systems, Simulink, Block diagram, Parametric sensitivity, Diffedge, Optimization, Real Time, Gradient, Maple, Matlab

Introduction

The need to differentiate functions which are not described by formulas but by computer programs is a classical and recurrent problem. “Automatic Differentiation” (AD) contains two aspects: on the one hand, one wishes to extend the possibilities of some existing software, most of the time in order to be able to optimize the choice of some parameter, on the other hand the question may already be non trivial when posed before the program is written. Indeed, computing efficiently some derivatives of functions that do not admit closed form formulas is a non trivial task. For example, such functions may be integrals, or solutions of systems of ordinary differential equations, or be implicitly defined by algebraic equations. We may moreover compose such functions and in many practical situations some logical tests may appear, e.g. when some physical system must remain in some predefined range of the state space.

This problem is an old one (see *e.g.* Arbogast [1]¹) that has been widely considered in recent years; many methods and softwares exist. One may refer to [45] for an introduction to the subject. See also Griewank [32, 33]. The Wikipedia page Automatic differentiation quotes no less than 17 softwares to differentiate C/C++ programs, 6 softwares for Fortran, 5 for Matlab, 9 for Python, . . . However, these software are limited to functions defined with elementary functions and for some of them a few matrix operations. The structure of the language itself can be an other limitation. What can be done if some high level function, like Matlab functions “solve” or “dsolve” are used? Some years ago, the software Diffedge was introduced to differentiate functions defined by bloc diagrams in Matlab/Simulink. This corresponds to the user’s need to stay in the same working environment instead of converting his model to C, Fortran, . . . losing then the possibilities offered by Simulink, as well as the mathematical semantic of the problem to be solved. As a consequence, the mathematical strategies that would have been used to deal with stiff ODEs, discontinuities are lost that may lead to poor precision.

It is known, even if automatic differentiation is not as widely used as it should be, that finite difference methods might lead to poor results [19] and in some unpredictable way, as one cannot know what “small variation” should be chosen and, worse, it is not obvious to tell in case of trouble if the choice made was too big or too small. And this is especially true for embedded code dealing with noisy data. Computing iterated derivatives in that way is a desperate task.

We would like here to emphasize that using automatic differentiation on some “low level” Fortran or C code that contains subroutines for solving, say, algebraic systems using a Newton method, or integrating differential equations, may lead to the same kind of difficulties, so that one should try, whenever possible, to apply automatic differentiation at the highest level, e.g. `solve` or `dsolve` functions as we may encounter them in computer algebra systems like Maple or as Simulink blocks.

One wishes to keep as much control as possible on the precision of the results. Of course, this is difficult, as no one knows in general what is the actual precision of the computations one performs with a numerical software. At least, one would like the computation of the derivative to have a precision η comparable to the precision ϵ of the function itself, *viz.*

¹Rall [64] does not hesitate to trace it back to Qin Jiushao’s *Mathematical Treatise in Nine Sections* (1247).

$\eta = O(\epsilon)$. To this regard, brute force conversion to a low-level programming language might lead, as we will see, to erroneous results.

The plan of this paper is first to give a general theoretical methodology for such situations, *viz.* differentiating implicit functions, ODE solutions, possibly with delays and discontinuities introduced by logical tests. Then, we will illustrate it with some Diffedge examples. The last part is devoted to a few recipes to improve the accuracy of the result and test the numerical precision of a software.

We assume that the differentiations are performed with respect to a limited number of parameters (say in practice 3 or 5), meaning that the choice of reverse accumulation is a legitimate strategy. We will also consider strategies for computing higher order derivatives (without any other restriction than time and space complexity). The question of computing high order time derivatives will also be considered.

We use here Maple just as an illustration of general recipes and do not consider the many difficulties for producing effective implementations in this setting, allowing to get an output in Fortran, C, Matlab or as a Simulink block diagram.

But we conclude with a description of the Diffedge Package, designed by the first author, that shows how automatic differentiation can be performed inside the Simulink environment, and allowing to deal with some combinations of the situations described here.

The source code used for all the examples is available online.

1 Classical tools

1.1 Forward and reverse accumulation

It is well known that two basic opposite approaches may be used for automatic derivation of formulas given by programs. Such a program may be represented by a graph, where all nodes correspond to elementary functions. The *forward approach* will be best to compute the derivative of many outputs with respect to one input. In the general case, let us assume that we have a function of n variable, x_1, \dots, x_n defined in the following way.

$$a_1 := f_1(x)$$

$$a_2 := f_2(x, a_1)$$

(...)

$$a_s := f_s(x, a_1, \dots, a_{s-1})$$

where the functions f_i are elementary function that will depend in practice of just one or two of their possible arguments: e.g. $a_3 := x_2 \times a_1$. One will complete this program with the expressions providing the values

$$a_{i,j} := \frac{\partial f_i}{\partial x_j} + \sum_{k=1}^{i-1} \frac{\partial f_i}{\partial a_k} a_{k,j} = \frac{df_i}{dx_j}.$$

One sees that, assuming all functions f_i to be $+$, $-$ or \times , one needs at most $4s$ elementary operations to compute the outputs of the initial s operations program together with their derivatives; one will go to $5s$ if one uses also division \div .

This simple idea, that may be adapted to partial derivatives, was experimented and described by Wengert in 1964 [77].

The *reverse approach* will be best to compute all partial derivatives of a single output, that we may assume to be $a_s = F(x)$ in the above program. New values a'_j are then computed in reverse order.

$$a'_{s-1} := \partial f_s / \partial a_{s-1}$$

$$a'_{s-2} := a'_{s-1} \times \partial f_{s-1} / \partial a_{s-2} + \partial f_s / \partial a_{s-2}$$

(...)

$$a'_j := \sum_{k=j+1}^{s-1} a'_k \times \partial f_k / \partial a_j + \partial f_s / \partial a_j \quad (\dots)$$

$$x'_j := \sum_{k=1}^{s-1} a'_k \times \partial f_k / \partial x_j + \partial f_s / \partial x_j$$

The requested number of operations if the f_i are elementary operations $+$, $-$, \times will be again $4s$ to compute all the partial derivative, and $5s$ including division. Iterations of this process to get higher order derivatives are possible but inefficient, leading to an exponential complexity. See also Gower and Gower [31] on this issue.

The idea goes back to the pioneering work of Baur and Strassen [3]. See also Morgenstern [57].

Finding the best solution to compute the jacobian matrix of a vector function defined by a given straight-line program is known to be a difficult problem. In particular, if some algebraic relations may exist between partial derivations, the computation of the Jacobian using a minimal number of multiplication or addition has been shown by Naumann to be NP-Complete [62].

The main idea is to consider the function $\phi : \mathbf{R}^n \mapsto \mathbf{R}^n$ defined by $\phi(x)[i] := x_i \prod_{a \in A_i} a$, where the A_i are subsets of some finite set A . Computing the diagonal Jacobian matrix amounts to computing the products $\prod_{a \in A_i} a$. It may be shown that deciding whether this may be done in s operations is equivalent to testing that the “ensemble computation” problem can be solved in s steps: $B_i := a$, $a \in A$ or $B_i := B_{j_i} \cup B_{k_i}$ with $j_i, k_i < i$ and $B_{j_i} \cap B_{k_i} = \emptyset$.

One sees that computing the Jacobian with a minimal number of elementary operation is here equivalent to computing the function ϕ itself in the best way. Our concern here is rather to look for acceptable ways of computing derivation, starting from a given implementation of a function, assumed to be reasonable if not optimal.

Practical issues are well illustrated by the special case of the Hessian. A method relying on a first application of the forward method to compute the gradient, followed by the reverse one, allows to obtain the Hessian with a complexity proportional to that of the initial function [15]. The “edge pushing” algorithm does this but also avoid useless computation, taking into account the symmetry of the Hessian matrix [30]. Graph colouring algorithms may be used to take advantage of sparsity [27].

Methods have been proposed to unify forward and reverse methods in order to look for a good compromise according to the situation. See *e.g.* VOLIN1985.

We will avoid here such questions² and will focuss on the cases where some nodes correspond in fact to a complex function, that solves algebraic equations, integrate differential equations etc. Our choice will be the direct approach, assuming that in practice one will try to optimize the behaviour of some system with respect to a limited number of parameters. But we need first some more brief recalls of classical methods.

²But these are also important issues. E.g. in some complicated situations, finite difference methods may be unable to decide that some output does not depend on a parameter.

1.2 An illustration in Maple

The Maple package Codegen may be used to produce C code, provided that the Maple procedure is limited to elementary structures and functions. It also provides gradient computation using direct and reverse accumulation (reverse is the default), as well as Jacobian and Hessian, taking for argument any procedure that returns a number or a vector of numbers. The `optimize` function uses Maple's remember table to identify common subexpression, avoiding to recompute them. Here is a simple example, showing first the reverse mode.

```
> with(codegen)
> F := proc(x,y) local a,b,c,df; a := x + y; b := a * x; c := b + 2; y * c endproc :
> H := GRADIENT(F, mode = reverse)
H := proc(x,y) local a,b,c,df; a := x + y; b := a * x; c := b + 2;
    df := array(1..3); df[3] := y; df[2] := df[3]; df[1] := df[2] * x;
    return a * df[2] + df[1], c + df[1] endproc (1)
> H2 := optimize(H);
H2 := proc(x,y) local a,df,t2; a := x + y; df := array(1..3); df[1] := y * x; t2 := df[1];
    return a * y + t2, a * x + t2 + 2 endproc (2)
```

># We see now the same example with the direct mode.

```
> K := GRADIENT(F, mode = forward)
K := proc(x,y) local a,b,c,da,db,dc;
    da := array(1..2); db := array(1..2); dc := array(1..2);
    da[1] := 1; da[2] := 1; a := x + y; db[1] := x * da[1] + a;
    db[2] := da[2] * x; b := a * x; dc[1] := db[1]; dc[2] := db[2]; c := b + 2;
    return dc[1] * y, y * dc[2] + c
end proc (3)
> K2 := optimize(K)
K2 := proc(x,y) local a,db,dc;
    db := array(1..2); dc := array(1..2);
    a := x + y; db[1] := a + x; dc[1] := db[1];
    return dc[1] * y, a * x + y * x + 2
end proc (4)
```

More details about this implementation may be found in Monagan and Neuenschwander's paper [56].

1.3 Using dual numbers and series

It is also known that computing the derivative with respect to x_i using the direct approach is equivalent to computing with "dual numbers", that is first order truncated power series $a_0 + a_1 x_i + O(x_i^2)$. This idea allows to compute iterated partial derivatives of arbitrary order with respect to different inputs with quite a good complexity, using power series truncated at a higher order $\sum_{j=0}^r a_j x_i^j + O(x_i^{r+1})$. Up to logarithmic terms, the multiplication of

power series has a linear complexity in the size of the data³, *i.e.* the number of monomials, using dense representation and to some extent also sparse representation [43, 52].

THEOREM 1. — *Given a straight line program of size L that computes a function $F(x_1, \dots, x_s)$ we may compute all derivatives*

$$\frac{\partial^{\sum_{i=1}^s \ell_i} F}{\prod_{i=1}^s \partial x_i^{\ell_i}}, \quad \ell_i \leq \alpha_i$$

in $\tilde{O}(\prod_{i=1}^s \alpha_i)L$.

One may remark that the iterated use of the reverse approach leads to an exponential complexity.

One may also generalize this idea to the case of multiple derivations, using again truncated first order power series: $a_0 + \sum_{i=1}^n a_i x_i (x_i | 1 \leq i \leq n)^2$. But computing higher order derivatives using series truncated at order $r + 1$: $\sum_{|\alpha| \leq r} a_\alpha x^\alpha (x_i | 1 \leq i \leq n)^{r+1}$, one may not escape an exponential growth of the output. Such a structure is just equivalent to jets of order r .

In any typed computer algebra system, jet space may be defined for any ring and provide the basic setting for forward automatic differentiation of any expression including the basic ring or field operation and some elementary functions. This has been done in Axiom by Smith *et al.* [72].

2 Our theoretical setting illustrated using computer algebra

In this section, we explain how to extend automatic differentiation to more complicated situations and, before comming to Simulink models, we illustrate our ideas with computer algebra tools. One will soon see that it is more complicated that just computing closed formulas and then differentiating them, as very often closed formulas do not exist.

2.1 Introducing new functions

One often needs to introduce new functions, satisfying some ordinary or partial differential systems. E.g. some functions F_i are such that

$$\frac{\partial F_i}{\partial x_j} = G_{i,j}(F, x).$$

From a mathematical standpoint, the solution is straightforward. From the standpoint of practical implementation, the problem may be less obvious if one does not want to reimplement completely the differentiation. Using typed systems like Axiom, it is easy to design a new package with the requested functions and their differentiation rules. For example, here is a part of the package `ElementaryFunction` written by Manuel Bronstein[14].

³It is said to be *soft linear*. *E.g.*, we will write $\ln n (\ln \ln n) n = \tilde{O}(n)$.

```

oplog := operator("log"::Symbol)$CommonOperators
opexp := operator("exp"::Symbol)$CommonOperators
opsin := operator("sin"::Symbol)$CommonOperators
opcos := operator("cos"::Symbol)$CommonOperators
optan := operator("tan"::Symbol)$CommonOperators

(...)

derivative(opexp, exp)
derivative(oplog, inv)
derivative(opsin, cos)
derivative(opcos, - sin #1)
derivative(optan, 1 + tan(#1)**2)

```

Each object in Axiom as a name and a type, and the functions to be used for them depend on their type too, specified with a \$. We see here how the derivatives of the operators `log`, `exp`, `sin` etc. that belong to the category `CommonOperators` can be defined.

Following such examples, one is free to design functions of one's own in a new package, containing the requested rules for derivation. Anyway, there is a price to pay for that liberty, as programming in such a system may become tedious when one needs to specify the type of each mathematical object and to specify also how to change the type of some object according to our goals. An advantage for this extra work is that one must adopt a cautious programming style that avoids many mistakes.

We mention this possibility for the sake of completeness and the satisfaction of competent and courageous readers. In Maple, one just needs to know that the internal `diff` function of Maple, when encountering a function `F` first looks if `diff/F` is defined, so that one just has to define it with the proper value. Then, this new definition will be used by the system to compute the derivatives of all formulas.

The rule is the following: assuming that `F` takes n arguments, `diff/F` is a procedure, depending of $n + 1$ arguments a_1, \dots, a_n, b , that provides the value of $\partial F(a_1, \dots, a_n) / \partial b$.

E.g, assume we want to define two new functions $f(x, y)$ and $g(x, y)$ such that

$$\frac{\partial f}{\partial x} = 2g, \frac{\partial f}{\partial y} = 3g, \frac{\partial g}{\partial x} = -2f, \frac{\partial g}{\partial y} = -3f.$$

(Of course $\sin(2x + 3y + c_1)$ and $\cos(2x + 3y + c_2)$ are solutions... it is just to consider a simple example.) A possible answer is illustrated by the following Maple session.

```

> `diff/f` := proc(a,b,c) diff(a,c) * 2 * g(a,b) + diff(b,c) * 3 * g(a,b) endproc :
> `diff/g` := proc(a,b,c) - diff(a,c) * 2 * f(a,b) - diff(b,c) * 3 * g(a,b) endproc :
> diff(f(a(c), b(c)), c)
2 (d/dc a(c)) g(a(c), b(c)) + (d/dc b(c)) g(a(c), b(c)) 3
> diff(f(x,y) * g(x,y), x)
2g(x,y)^2 - 2f(x,y)^2
> diff(int(f(x,y), x = a..b), y)
int_a^b 3g(x,y) dx
> diff(f(z, z ** 2), z)
2g(z, z^2) + 6zg(z, z^2)

```

Before using such a possibility in a computer algebra system, one must be sure of what we are doing: partial derivatives here are assumed to commute. An other way to proceed

in Maple would be to use the `Difalg` or the `DifferentialAlgebra` packages and compute first a “characteristic set of the prime differential ideal generated by the above system”. Basically it is some kind of normalized set of equations, which may be difficult to compute but provides any information one may need.

In our case, the result will be the system itself, because the partial derivations $\partial/\partial x$ and $\partial/\partial y$ do commute and the computation is reduced to checking this.

$$\frac{\partial f}{\partial x} = \frac{\partial f}{\partial y} \quad \text{and} \quad \frac{\partial g}{\partial x} = \frac{\partial g}{\partial y}.$$

We can then use `NormalForm` to replace the derivatives with their proper values.

```
> with(DifferentialAlgebra) : with(Tools) :
> R := DifferentialRing(Blocks = lex[f, g], derivations = [x, y]) :
> syst := [Differentiate(f, x, R) = 2 · g, Differentiate(f, y, R) = 3 · g,
           Differentiate(g, x, R) = -2 · f, Differentiate(g, y, R) = -3 · f] :
> simplified_syst := RosenfeldGroebner(syst, R) :
> Equations(simplified_syst)
[[f_x - 2g, g_x + 2f, f_y - 3g, g_y + 3f]]
> NormalForm(Differentiate(f · g, x, R), simplified_syst)
[-2f^2 + 2g^2]
> NormalForm(f, simplified_syst)
f
```

This might look complicated but it is good to know that such tools exist in case of need, provided that one keeps in mind that they could be time and memory consuming. They must be reserved to cases where one does not know *a priori* a normal form for our relations. Moreover, we need to use here the `Differentiate` function of the `DifferentialAlgebra` package, which is different from the `Diff` function used elsewhere.

`Difalg` may also be used to *eliminate* some function, using specific orderings on derivatives. In the next example `blocks=[lex[f], lex[g]]` means that f and all its derivatives are greater than g and all its derivatives. So, one does not express $\partial g/\partial y$ as $-3f$ any more, but instead f is expressed as $(-1/3)(\partial g(x, y)/\partial y)$.

```
> with(DifferentialAlgebra) : with(Tools) :
> R := DifferentialRing(Blocks = lex[f], lex[g], derivations = [x, y]) :
> syst := [Differentiate(f, x, R) = 2 · g, Differentiate(f, y, R) = 3 · g,
           Differentiate(g, x, R) = -2 · f, Differentiate(g, y, R) = -3 · f] :
> simplified_syst := RosenfeldGroebner(syst, R) :
> Equations(simplified_syst)
[[g_y + 3f, 3g_x - 2g_y, g_y, y + 9g]]
> NormalForm(Differentiate(f · g, x, R), simplified_syst)
[2g^2 - 2/9 g_y^2]
> NormalForm(f, simplified_syst)
-1/3 g_y
```

Longer considerations would exceed the ambitions of this paper, but these tools deserve to be mentioned here. For more details, one may refer to the work of Boulier, the

first designer of Diffalg [10, 9] and of Hubert who developed the latest Maple versions [36, 37] and considered also *non commuting derivations* [46]. The new Maple package `Differentialalgebra` is based on Boulier’s *Bibliothèques Lilloises d’Algèbre Différentielle* citeBLAD, redesigned for Maple by Boulier and Chev-Terrab.

Using numerical schemes obtained in this way, it is easily seen that, knowing an approximation of some function $f(x_1, \dots, x_n)$ with an error bounded by ϵ , the approximation for any iterated derivative of f will be $O(\epsilon)$. However, one may expect an exponential growth with respect to the order of derivation. The point for us is that we are sure that increasing the precision on the computation of the f_i will increase the precision on the computation of derivatives, which may not be granted with other tools.

2.2 Runge–Kutta methods

Assume indeed that one computes some function f that is the solution of some ordinary differential equation: $f' = G(f)$. We may compute an approximation of f for $x \geq 0$ using a Runge-Kutta method of order n , that is implemented in some low-level C or Fortran Program, which would be a common choice. If G is linear (resp. quadratic), f will be approximated by a piecewise polynomial function of degree n (resp. $2^n - 1$). So, we see that we have no hope to evaluate derivatives of order higher than this degree from the implemented Runge-Kutta approximation, even if we increase its precision with a smaller step. We need at least to change the order of the Runge Kutta method itself! And *A priori*, we can only expect acceptable values for derivatives up to order n , at most: all greater derivatives will be 0 with a linear equation and the approximations obtained for non linear equations are not very good.

As an example, consider $f(x) := (1+x)^{-1}$, solution of $f' = G(f) := -f^2$ with $f(0) = 1$. The following table gives the successive devives of $f(x)$ and their approximation using “midpoint” and RK4 methods.

Order of derivation i	1	2	3	4	5	6	7	8	9	10	11
$f^{(i)}(0)$	-1	2	-6	24	-120	720	-5040	40320	-3.6310 ⁵	3.6310 ⁶	-3.9910 ⁷
Midpoint	-1	2	-1.5	0	0	0	0	0	0	0	0
RK4	-1	2	-6	24	-115	600	-3438.75	19530	-1.077310 ⁵	5.48110 ⁵	-2.4410 ⁶

Even if the use of AD for computing derivatives of order greater than 2 is uncommon, it seems worth to mention this limitation. We will return to the derivation of solutions of differential equation in section 2.5

2.3 Conditionals and piecewise functions

As noticed by Beck and Fischer [4], the differentiation of piecewise functions may lead to erroneous results in some cases. To summarize the situation, assume that a real function is defined on the union of disjoints intervals $\bigcup_{i=1}^s I_i$, where $I_i =]/[a_i, b_i]/[$ are intervals with a nonempty interior, that is $a_i < b_i$. We may also admit $\pm\infty$ values for the intervals bounds. In such a case, assuming that a function F is described on I_i by some program that implements a differentiable function f_i and that this program can be differentiated, the only trouble can arise if $a_i = b_{i+1}$: then the value of the derivatives must agree. If not, the function is not differentiable at a_i

The real difficulty may be illustrated by the following example: $F(x) := (1 - \cos(x))/x$ if $x \neq 0$, $F(0) = 0$. Most implementations will provide $F'(x) = \sin(x)/x - (1 - \cos(x))/x^2$ if $x \neq 0$, $F'(0) = 0$: even if the function admits a continuous derivative, the value computed for $x = 0$ is erroneous. Let us look at Maple possibilities.

A naïve use of the `diff` function gives poor results. In principle `D(F)(x)` and `diff(F(x), x)` should be equivalent: their internal representation is different, but `D(F)(x) - diff(F(x), x)` simplifies to 0. Nevertheless, `Diff` and `D` act in different ways. Using `diff(F(x), x)`, `F(x)` is evaluated first, and then the differentiation performed... It is best here to use the `D` function, more adapted to the differentiation of a procedure.

```
> F := proc(x) if x ≠ 0 then  $\frac{1-\cos(x)}{x}$  else 0 end if end proc:
> diff(F(x), x);
 $\frac{\sin(x)}{x} - \frac{1-\cos(x)}{x^2}$ 
> D(F)
proc(x)
  if x <> 0 then sin(x)/x - (1 - cos(x))/x^2 else 0 endif
end proc
```

One sees that the result at $x = 0$ is wrong, as suspected. However, one may easily change the definition of the function, using the full possibilities of computer algebra, to be sure it can be differentiated up to a chosen order, here 10.

```
> F := subs ( T = simplify (  $\frac{\text{convert}(\text{taylor}(1 - \cos(x), x = 0, 12), \text{polynom})}{x}$  ),
              proc(x) if x ≠ 0 then  $\frac{1-\cos(x)}{x}$  else 0 end if end proc );
F := proc(x)
  if x < 0 then
    (1 - cos(x))/x
  else
    1/3628800 * x * (x^8 - 90 * x^6 + 5040 * x^4 - 151200 * x^2 + 1814400)
  end if
end proc
> D(F)
proc(x)
  if x <> 0 then
    sin(x)/x - (1 - cos(x))/x^2
  else
    1/3628800 * x^8 - 1/40320 * x^6 + 1/720 * x^4 - 1/24 * x^2 + 1/2
    1/3628800 * (8 * x^7 - 540 * x^5 + 20160 * x^3 - 302400 * x)
  end if
end proc
```

Then, we can use the facilities of the `CodeGeneration` package to translate this Maple function in C or Fortran.

```
>
textitWith(Codegeneration):
>
textitFortan(F);
```

```

doubleprecision function F (x)
  integer x
  if (x .ne. 0) then
    F = (1 - cos(dble(x))) / dble(x)
    return
  else
    F = dble(x * (x ** 8 - 90 * x ** 6 + 5040 * x ** 4
      - 151200 * x ** 2 + 1814400))/0.362880D7
    return
  end if
end

```

Maple can also handle more easily such situations using `piecewise`.

```
> G(x) := piecewise (x ≠ 0,  $\frac{1-\cos(x)}{x}$ , 0) :
```

```
> diff(G(x), x);
```

$$\begin{cases} \frac{1}{2} & x = 0 \\ \frac{\sin(x)}{x} - \frac{1-\cos(x)}{x^2} & \text{otherwise} \end{cases}$$

```
> D[1](G);
```

$$x \rightarrow \text{piecewise} \left(x = 0, \frac{1}{2}, \frac{\sin(x)}{x} - \frac{1-\cos(x)}{x^2} \right)$$

```
> D[1, 1, 1](G);
```

$$x \rightarrow \text{piecewise} \left(x = 0, \frac{1}{4}, -\frac{\sin(x)}{x} - \frac{3\cos(x)}{x^2} + \frac{6\sin(x)}{x^3} - \frac{6(1-\cos(x))}{x^4} \right)$$

The derivations are computed in the right way, up to any order, without any intervention of the user. However, the Fortran translation is not suited for automatic differentiation.

```
>
```

```
textitWith(Codegeneration):
```

```
>
```

```
textitFortan(F);
```

```

doubleprecision function F (x)
  integer x
  if (x .ne. 0) then
    G = (0.1D1 - cos(dble(x))) / dble(x)
    return
  else
    G = 0.0D0
    return
  end if
end

```

A choice like the following, although the formula is discontinuous at $x = 0.1$, will allow differentiation and will be also more accurate for small values of x .

```
> H := subs (T = simplify (  $\frac{\text{convert}(\text{taylor}(1 - \cos(x), x = 0, 12), \text{polynom})}{x}$  ),
```

```

proc(x) if |x| > 0.1 then  $\frac{1-\cos(x)}{x}$  else T end if end proc );
F := proc(x)
  if x < 0 then
    (1 - cos(x))/x
  else
    1/3628800 * x * (x^8 - 90 * x^6 + 5040 * x^4 - 151200 * x^2 + 1814400)
  end if
end proc

```

```

>
textitFortan(H);

```

```

doubleprecision function F (x)
  integer x
  if (0.1D0 .lt. dble(abs(x))) then
    F = (1 - cos(dble(x))) / dble(x)
    return
  else
    F = dble(x * (x ** 8 - 90 * x ** 6 + 5040 * x ** 4
      - 151200 * x ** 2 + 1814400))/0.362880D7
    return
  end if
end

```

One sees on this apparently simple problem of AD can be very difficult when acting on some low level code that has not been properly implemented in order to facilitate it. The only way then to avoid inaccurate results would be to reconstruct, if it is still possible, the original symbolic formula. One may refer to Shamseddine and Berz [67] for more details.

2.3.1 Differentiating flat outputs

Flat systems [24, 25, 26, 70, 53] are examples of differential control systems the solutions of which may be parametrized by some functions of their state, called *flat outputs* and some derivatives of these functions. A classical example is that of a car, described by the following equations:

$$\begin{aligned}
 x' &= u \cos \theta \\
 y' &= u \sin \theta \\
 \theta' &= \frac{u}{\ell} \tan \phi
 \end{aligned}$$

The functions x and y are easily seen to be flat outputs, as $\theta = \arctan(y'/x')$ (or $\theta = \pi - \operatorname{arccot}(x'/y')$), $u = \sqrt{(x')^2 + (y')^2}$ and $\phi = \arctan((\ell/u)\theta')$. So, we can compute the trajectory of the car knowing x and y , provided that $(x', y') \neq (0, 0)$, see ex. 1. If the car follows a trajectory that starts forward and end backward, that is common for parking, one needs to cross a singularity where both x' and y' vanish, so that θ is undefined. Such singularities have been studied in [48]. If $\theta' \neq 0$, this is an *apparent singularity*, as one

may use some different flat outputs, *e.g.* θ and $\sin(\theta)x - \cos(\theta)y$. See ex. 2. But this case is mostly theoretical, as in such a situation, one need have $\phi = \pm\pi/2$. In such a situation, the curve parametrized by (x, y) is a cusp: $x(t) \simeq At^2$ and $y(t) \simeq Bt^3$.

With an actual car, a common limit is $|\phi| > \pi/4$. In such a case, we have, *e.g.* $x(t) \simeq At^2$ and $y(t) \simeq Bt^5$, that is a *rhamphoid cusp*. This corresponds to an essential singularity, meaning that parametrization cannot be achieved by choosing some new flat outputs. An efficient practical solution is then to compute power series solutions for θ and ϕ at the singular point, as described in the Maple worksheet. See ex 3. Just using the formula with rounded floating point numbers near the singularity, we have no division by 0 and the value obtained for θ is satisfactory. That obtained for ϕ is erratic. see ex. 4.

2.4 Loops. Solving “algebraic” equations

Algebraic⁴ equations solvers are a second example of high level functions that require a special care to be differentiated. In low level code, they will appear as loops, such as `until |F(x)| < epsilon repeat [...]`, whereas in Maple one would encounter `solve(F(x)=0, x)`. However, the `solve` function is not recognized by Maple’s `C` function. Applying `diff` to the result of `solve`, which may be a sequence, can be disappointing. One need also notice that the numerical resolution of a polynomial system may be, in the general case, as hard as its symbolic solving. If we consider more general situations, like polynomials in x and e^x , one can in the best cases provide bounds on the number of solutions.

Anyway, we take here for granted the existence of a reasonable numerical method for a given system, that is a starting point in a ball containing a single simple root, from where some iteration process—say a Newton method for a one variable system—will converge.

Let $(x_1(y), \dots, x_n(y))$ be a regular solution of a system $P_i(x_1, \dots, x_n, y) = 0$, $1 \leq i \leq n$, that is a n -uple of functions such that $P_i(x(y), y) = 0$ and $|J_P|(x(y), y) \neq 0$ on the definition domain of the x_i , where $J_P := (\partial P_i / \partial x_j)$. Whatever can be the numerical method used to compute the x_i , one knows that

$$\frac{\partial \eta_j}{\partial \theta} = J_P^{-1}(\eta) \begin{pmatrix} \frac{\partial P_1}{\partial \theta}(\eta) \\ \vdots \\ \frac{\partial P_n}{\partial \theta}(\eta) \end{pmatrix}. \quad (1)$$

This formula may be regarded as a differential equation, so that we need not repeat what was said above⁵.

From now on, this topic will be illustrated with the case of a single equation in a single variable. A straightforward implementation of Newton’s method in Maple may look like the following procedure `g`. It is well known that, for computing square roots \sqrt{a} , the Newton method iterates the operator $x \mapsto (a - x^2)/2x = (1/2)(a/x + x)$.

```
> g := proc(a, epsilon, c) local x, b;
      if type(c, numeric) then x := c else x := 1. end if;
```

⁴By “algebraic”, we mean here “non differential”; such equations may not be polynomial.

⁵Let us just mention, for whoever would need to compute high order derivatives, that Bostan *et al.* [12] have shown that, for a single function defined by a polynomial equation $P(x, y)$, one could in fact define x as the solution of a *linear* equation, allowing to compute iterated derivatives faster than using Newton’s method for series.

```

if type(a + epsilon + c, numeric) then
  b := a/x;
  while evalb(epsilon < abs((b - x)/x)) do
    x := (1/2) * x + (1/2) * b; b := a/x
  end do;
  x
else return 'procname(args)' end if
end proc

```

```

> `diff/g` := proc(a, epsilon, c, t)(1/2) * (diff(a, t))/g(a, epsilon, c) end proc
> eval(subs(a = 1.5, diff(g(a, 0.1e - 3, 1.00001), a, a)), eval(subs(a = 1.5, diff(a(1/2), a, a)))
  -1.1360827546, -1.1360827636

```

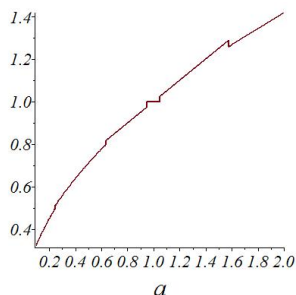
One sees that, with a proper definition of `diff/g`, iterated differentiation works well.

It is known that the limit of derivatives of the sequence of functions associated to Newton's method converges to the derivative of the limit algebraic function (see e.g. Beck [5]). However, in practice difficulties arise as a limited number of iterations will be achieved. Even in cases where the direct automatic differentiation of the numerical code can produce accurate values, it is likely to be slower; see Bell and Burke [6] and the reference therein. One must however stress that even if the numerical approximation is very good, its direct derivation may lead to poor results, as shown by the following example.

```

> plot(g(a, 0.5e-1, 1.), a = .1 .. 2.000)

```



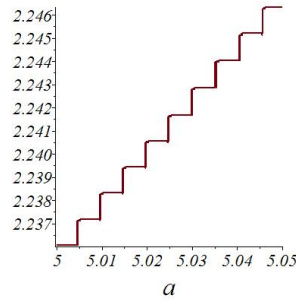
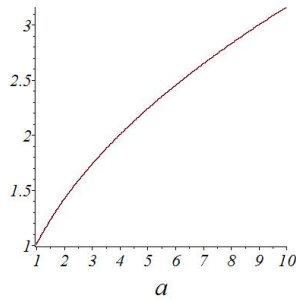
Around the initial value, the function is flat, and a single Newton step produces a linear function, so that the second derivative will be 0. Very often, such procedures are used in sequence and one improves the efficiency by starting with the previously computed value, as in the following “memory” function.

```

> g2 := proc(a, epsilon) global p_res; local x, b;
  if type(p_res, numeric) then x := p_res else x := 1 end if;
  if type(a + epsilon, numeric) then
    b := a/(x);
    while evalb(abs((b - x)/(x)) > epsilon) do x := (x + b)/(2); b := a/(x) end do;
  p_res:=x
  else return 'procname(args)' end if
end proc

```

Then, the resulting curve for a small value of the precision ϵ looks smooth, but it is in fact a piecewise constant function, so that any attempt to differentiate it will fail.



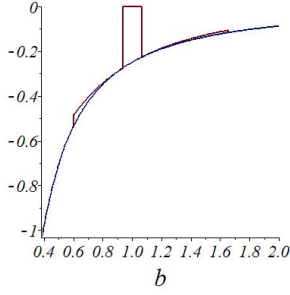
It is worth noticing that, when it fails to compute a closed form solution, Maple's `solve` function expresses a result with the `RootOf` function, that has a well defined solution.

```
> c := solve(x^3 + exp(x) = b, x); solve(x^2 = b, x)
      c := RootOf(e-Z + Z3 - b)
           √b, √b
> diff(c, b), diff(RootOf(_Z2 - b), b)
      (exp(RootOf(e-Z + Z3 - b)) + 3*RootOf(e-Z + Z3 - b)2), 1/(2*RootOf(_Z2 - b))
> apply(eval(`diff/RootOf`), P(_Z, b), b)
      - (D[2](P))(RootOf(P(z, b)), b)
      - (D[1](P))(RootOf(P(z, b)), b)
```

To conclude this topic, one may remark that i iterations of Newton's method produces a Taylor series up to order 2^i . But in practice acceptable values for derivatives of higher order may be obtained. The following procedure applies Newton method to a power series, so that successive derivatives of the Newton operator may be easily obtained.

```
> h := proc(a, η, c, n, m) local x, b, d, ε; global nIter; nIter := 0; x := c;
      if type(a + η + c + n + m, numeric) then
        b := (a + ε)/x;
        while evalb(η < abs(subs(ε = 0, convert(series((b - x)/x, ε = 0, n), polynom)))) do
          nIter := nIter + 1;
          x := series((1/2) * x + (1/2) * b, ε = 0, n);
          b := series((a + ε)/x, ε = 0, n)
        end do;
        (diff(subs(εm = d, convert(x, polynom)), d)) * factorial(m)
      else return 'procname(args)'
      end if
end proc
> h(2., 0.1e - 3, 1., 20, 19), nIter;
      1.141438794109, 3
> subs(b = 2., diff(b(1/2), b$19))
      1.140326912 * 109
```

After just 3 iteration, the derivatives must be correct up to order $7 = 2^3 - 1$. Anyway, by chance, the value of the 19th derivative is already obtained with a precision of 10^{-3} .



In such a situation it seems prudent to iterate loops at least one more time or even $\log_2(e)$ if derivatives of order e are to be computed. In the last figure, acceptable values of the second derivatives were obtained with a single iteration. Adding extra iterations is expressed by the old recipe: *one always iterate a loop 13 times!*

2.5 Integrators and differential equations

It is amazing that the requested formulas seem to have left no precise record in the history of mathematics. We may find some of them, treated as “weel known”, in some posthumous manuscript of Jacobi[47], but as late as 1919, Ritt published a paper [65]⁶ on the special problem of differentiating the solution of a single order one equation $y' = f(y, t, c)$ with respect to the parameter c . One may also mention some works by Bliss [7, 8] or Grönwall[35]⁷ on the same subject.

Assume that the solution $f_j(x_1, \dots, x_m, \theta_1, \dots, \theta_s)$ of an ODE or PDE system

$$P_i \left(\frac{\partial^{|\alpha|} f_j}{\partial x_1^{\alpha_1} \dots \partial x_m^{\alpha_m}}(x, \theta), \theta_1, \dots, \theta_s \right) = 0 \quad (2)$$

depending on parameters θ , completed with initial or boundary conditions

$$Q_k \left(\frac{\partial^{|\alpha|} f_j}{\partial x_1^{\alpha_1} \dots \partial x_m^{\alpha_m}}(X(x, \theta), \theta), \theta \right) = 0 \quad (3)$$

is unique and that it is differentiable with respect to the parameters θ_ℓ . For instance, if $m = 2$, one may have $X_1(x, \theta) = x_1$ and $X_2(x, \theta) = 0$ or $X_2(x, \theta) = \theta_1$ to describe initial condition on a line passing through the origin or depending on the parameter θ_1 . One may also use $X_i = x_i / \sqrt{x_1^2 + x_2^2}$, defined on $\mathbf{R}^2 \setminus \{(0, 0)\}$ for initial conditions on the unit circle, etc.

Then, the basic properties of derivation impose that

$$\frac{\partial}{\partial \theta_\ell} P_i \left(\frac{\partial^{|\alpha|} f_j}{\partial x_1^{\alpha_1} \dots \partial x_m^{\alpha_m}}(x, \theta) \right) = \sum_{j, \alpha} \frac{\partial P_i}{\partial \frac{\partial^{|\alpha|+1} f_j}{\partial x_1^{\alpha_1} \dots \partial x_m^{\alpha_m}}} \frac{\partial^{|\alpha|+1} f_j}{\partial x_1^{\alpha_1} \dots \partial x_m^{\alpha_m} \partial \theta_\ell} + \frac{\partial P_j}{\partial \theta_\ell} = 0 \quad (4)$$

⁶This paper mentions a previous work of Major Forest Moulton, whom he met when he worked with Oswald Veblen for the U.S. artillery at Aberdeen Proving Ground during First World War.

⁷Gilbert Ames Bliss and Thomas Hakon Gronwall worked also with Veblen at Aberdeen. The question of differentiation with respect to initial conditions is of special interest in artillery as a gunner can only play with them. The influence of parameters such as projectile mass that cannot be exactly matched is also to be studied and compensated e.g. for 155mm ammunition using extra propellant bags.

and this system is to be completed with the derivatives of boundary conditions

$$\begin{aligned} \frac{\partial}{\partial \theta_\ell} Q_k \left(\frac{\partial^{|\alpha|} f_j}{\partial x_1^{\alpha_1} \dots \partial x_m^{\alpha_m}} (X(x, \theta), \theta) \right) = \\ \sum_{j, \alpha} \frac{\partial P_i}{\partial \frac{\partial^{|\alpha|} f_j}{\partial x_1^{\alpha_1} \dots \partial x_m^{\alpha_m}}} \frac{\partial^{|\alpha|+1} f_j}{\partial x_1^{\alpha_1} \dots \partial x_m^{\alpha_m}, \theta_\ell} (X(x, \theta), \theta) \\ + \sum_{j, \alpha, \mu} \frac{\partial P_i}{\partial \frac{\partial^{|\alpha|} f_j}{\partial x_1^{\alpha_1} \dots \partial x_m^{\alpha_m}}} \frac{\partial^{|\alpha|+1} f_j}{\partial x_1^{\alpha_1} \dots \partial x_{\mu+1}^{\alpha_{\mu+1}} \dots \partial x_m^{\alpha_m}, \theta_\ell} (X(x, \theta), \theta) \frac{\partial X_\mu}{\partial \theta_\ell} + \frac{\partial Q}{\partial \theta_\ell} = 0. \end{aligned} \quad (5)$$

A complete study in the partial differential case would exceed the ambitions of this paper. One may refer to [73] for more details and examples in this case. In the case of ODE, one may also refer to Dickinson *et al.* [16] and [20] for implicit differential algebraic equations. See also Estévez Schwarz *et al.* [21] in the case of singularities. For generalized ODEs, one may refer to Slavík [71]

In the case of ODEs, the following theorem synthetizes the rules to apply.

THEOREM 2. — *Let us consider a parametrized system of ordinary differential equations*

$$x'_i = f_i(x, t, \theta) \quad 1 \leq i \leq n; \quad (6)$$

$$x_i(h(\theta)) = g_i(\theta) \quad 1 \leq i \leq n, \quad (7)$$

where the functions f_i , g and h are defined and C^r , $r \in \mathbf{N} \cup \{\infty\}$, on some open set V .

i) *There exists a maximal open set $U \in \mathbf{R}^2$ and a function $x : U \mapsto \mathbf{R}^n$ such that:*

a) $\pi_2(V) = U$, where $\pi_2(t, \theta) = \theta$;

b) $\forall \theta \in V$ $(h(\theta), \theta) \in U$;

c) $\forall \theta \in V$ $x(\cdot, \theta)$ is a solution of the differential system (6) with initial conditions (7).

ii) *The function x is C^r on U .*

iii) *The derivative functions $x_{i,\theta}(\partial x_i / \partial \theta)$ are solution of the system*

$$x'_{i,\theta} = \sum_{i=1}^n \frac{\partial f_i(x, t, \theta)}{\partial x_i} x_{i,\theta} + \frac{\partial f_i(x, t, \theta)}{\partial \theta}; \quad (8)$$

with initial conditions:

$$x_{i,\theta}(h(\theta)) = \frac{\partial g_i}{\partial \theta} - f_i(x, t, \theta) \frac{\partial h_i}{\partial \theta}. \quad (9)$$

PROOF. — Assuming the functions $x_i(t, \theta)$ to exist and be C^r on $[a, b] \times [c, d]$, the equations 8 are similar to equations 4 and are obtained by straightforward differentiation of the initial system 6

$$\begin{aligned} x_i(t, \theta) &= f_i(x(t, \theta), t, \theta) \\ \implies \frac{\partial x_i(t, \theta)}{\partial \theta} &= \frac{\partial f_i}{\partial x} \frac{\partial x(t, \theta)}{\partial \theta} + \frac{\partial f_i}{\partial x} \frac{\partial \theta}{\partial \theta}. \end{aligned}$$

Differentiating the initial conditions (7) gives

$$\frac{\partial x_i(h(\theta), \theta)}{\partial t} \frac{\partial h(\theta)}{\partial \theta} + \frac{\partial x_i(h(\theta), \theta)}{\partial \theta} = \frac{\partial g_i(\theta)}{\partial \theta}.$$

Then, replacing $\partial x_i/\partial t$ by its value $f_i(x(t, \theta), t, \theta)$, one gets formula (9).

So, the main point is to prove the existence and differentiability of functions solution of the system (8) with initial conditions (7). The existence is a classical result, that may be easily achieved using, *e.g.*, Picard's operator. To prove that the functions $x_i(t, \theta)$ are indeed \mathcal{C}^r , one may use Picard's operator again. For simplicity, we may use $y_i(t, \theta) := x_i(t + h(\theta) - h(\theta_0) + t_0, \theta + \theta_0)$, so that studying differentiability of x_i at (t_0, θ_0) is reduced to studying that of y_i at $(0, 0)$. Let $C := \max_i \max(\sup_{(z, t, \theta) \in [-\epsilon, \epsilon]^{n+2}} (\partial f/\partial y_i, \partial f/\partial \theta)(z + g, t, \theta), \sup_{[-\epsilon, \epsilon]} \partial g_i/\partial \theta)$ and $y_{[0], i} := g_i(\theta)$. We define Picard's operator by $P(\phi)(t, \theta) := \phi(0, \theta) + \int_0^t f(\phi(\tau, \theta), \theta) d\tau$ and $y_{[s]} := P^s(y_{[0]})$. An easy recurrence shows that for $|t| < \ln(\epsilon)/C$ and $|\theta - \theta_0| \leq \epsilon$, we have $\forall s \in \mathbf{N}$ $y_{[s]}(t, \theta) < \epsilon$ and $\|y_{[s+1]}(t, \theta) - y_{[s]}(t, \theta)\|_\infty \leq (Ct)^{s+1}/(s+1)!$. This shows that the sequence $\|y_{[s]}(t, \theta)\|_\infty$ converges uniformly. If the same way, under the same hypotheses, $\forall q \leq r$ $\|\partial^q y_{[s]}(t, \theta)/(\partial \theta)^q\|_\infty < \epsilon C^q$ and $\|\partial^q y_{[s+1]}(t, \theta)/(\partial \theta)^q - \partial^q y_{[s]}(t, \theta)/(\partial \theta)^q\|_\infty \leq C(Ct)^{s+1}/(s+1)!$, showing that the sequence $\|\partial^q y_{[s]}(t, \theta)/\partial \theta^q\|_\infty$ converges uniformly too. As both the sequence of functions and of derivatives converge uniformly, the limit of the functions $y_{[s]}$ is differentiable and its derivatives are the limit of their derivatives.

To conclude the proof, one just needs now remark that $x_i(t, \theta) = y_i(t - h(\theta), \theta)$, so that $(\partial x_i/\partial \theta)(h(\theta_0), \theta_0) = (\partial y_i/\partial \theta)(h(\theta_0), \theta_0) - (\partial h/\partial \theta)(\theta_0)(\partial y_i/\partial t)(h(\theta_0), \theta_0)$, thus recovering fomula (9). ■

2.6 Higher order derivatives

The idea may be iterated, as many times as needed and possible, according to the differentiability order of the functions defining the system and initial equations. One may also consider partial derivatives with respect to an arbitrary number s of parameters. The only point is to notice that, obviously, $\partial^2 x/\partial \theta_1 \theta_2 = \partial^2 x/\partial \theta_2 \theta_1$. So, whenever possible, one should try to avoid useless computation instead of applying twice the gradient operator, provided that the extra implementation work remains acceptable.

The two formulations are mathematically equivalent, but the numerical computations will not be the same. An optimized choice would require extra investigations. Comparing the two results may be a test for strategies and integrators.

In the generic situation, in order to compute $\partial^{|\alpha|} y / \prod_{j=1}^s \partial \theta_j^{\alpha_j}$, one needs to compute all partial derivatives $\partial^{|\beta|} y / \prod_{j=1}^s \partial \theta_j^{\beta_j}$ with $\forall j$ $\beta_j \leq \alpha_j$. In other words, if one does not compute the derivative for β , one will be unable to compute the one for $\beta + \gamma$, $\gamma \in \mathbf{N}^s$. Computing partial derivatives up to an arbitrary order, one need not compute them all, but the subset must be such that the multi-index α are in the complementary set of an additive *e-set* or *monoideal*, *i.e.* sets stable by addition of any element of a monoide.

Computing high order power series solutions of solutions of ODEs may be efficiently done using Newton's operator [13], which is asymptotically optimal. However van der Hoeven's method proves more efficient[41] in the range of order of practical interest.

2.7 Implementation in Maple and examples

We tried to put into practice the theoretical recipes described above, with the Maple package `D_ODE_tools` that is illustrated with some examples. The basic principle is

easy, but to put it in practice may be tedious and require some effort of style to produce a usable result. At first sight, the formulae describing the new differential equations and initial conditions just have to be applied. This would be easy using a representation of x as a function of t and the parameters θ . But, Maple's function `dsolve` only accepts functions of one single argument. So, we cannot represent $\partial^2 x / \partial \theta_1 \theta_2$ by `diff(x(t,theta[1],theta[2]),theta[1],theta[2])`. We need to imagine some other representation, like `x[theta[1]*theta[2]](t)`. Without getting into tedious details, the greatest part of the work is a careful analysis of the internal representation of derivatives in Maple, once faced to the absence of some ready-made tools to extract elementary information such as partial or total orders, name of the base function and independent variables.

The implementation provided here allows to compute derivatives of arbitrary order with respect to the parameters, that may also appear in the initial conditions. One may describe the set of derivatives by excluding some multiples of a given derivation. For this, one uses the `Groebner` package of Maple.

One encounters extra limitations of various types. For example, `dsolve` may manage to find a symbolic general solution, but it is impossible to use this function with symbolic boundary conditions for different values of the independent variable. Our implementation allows such specifications. Although our focus is on numerical resolution, systems with closed form solutions, besides their intrinsic interest, provide easy tests for the exactness of such an implementation.

2.7.1 Identifiability

One may refer to Walter [76] for a general introduction to the notion. We consider a *structure*, *i.e.* a parametric system of state space equations

$$x'_i = f_i(x, \theta, t), \quad 1 \leq i \leq n, \quad \theta = (\theta_1, \dots, \theta_s) \quad (10)$$

$$x_i(0) = c_i \quad (11)$$

$$y_j = g_j(x, \theta) \quad 1 \leq j \leq q, \quad (12)$$

where the y_j are assumed to be *outputs*, or *measured quantities*. A *model* of the structure is obtained by specializing parameters. Then, a model is (*locally observable* if one can compute a (locally) unique value of the state functions x_i knowing the outputs y_j . It is (*locally identifiable* if one can compute a (locally) unique value of the parameter vector θ knowing the outputs y_j . *Structural* observability or identifiability means that almost all models are observable or identifiable. If the functions f_i and g_j are polynomial or rational, the vector of parameters corresponding to locally observable or identifiable models is empty or dense. So, testing these structural properties may be done by finding a single observable or identifiable model. This may be done by symbolic computation. Biologists are likely to feel more comfortable with a numerical test, that may be done with the same program they use for their simulations and requires no exotic algebraic knowledge, besides matrix ranks and determinants. But they are likely to ignore that one may compute $\partial y_j / \partial \theta_\ell$ in a better way than using finite differences.

The most basic test is to choose $s + q$ times t_k and to check if the determinant

$$\begin{vmatrix} \frac{\partial y_j}{\partial c_i}(t_k) & \frac{\partial y_j}{\partial \theta_\ell}(t_k) \end{vmatrix}$$

is non 0. Then the system is both locally observable and identifiable.

One must remark that numerical computation can show that the determinant does not vanish, but not that it is 0. In such a case, one will get a small result, depending on the precision. Moreover, even the vanishing of the determinant does not prove that the system is not observable and identifiable: there is a probability to choose unfortunate values for the t_k that are precisely roots of this determinant. Using exact computation, one can obtain a probabilistic test, meaning that the system can be shown to be non observable with a small possibility of error. See Sedoglavic [66]. This method uses fast power series computation using Newton's operator described in [13].

An example of some HIV model due to Perelman *et al.* is given as an illustration.

See Schumann-Bischoff [68] *et al.* for the use of AD in parameter identification.

2.8 Delay systems

Differential systems with delays enter easily in our general setting. Latest versions of Maple allow to solve them with `dsolve`. Among important issues that are linked with the differentiation of delay systems with respect to their parameters, including the delay itself, is the practical online computation of an unknown delay. See e.g.

The rules are easy to generalize to this setting. Assume a differential system with delays is given by

$$x'_i(t) = f_i(x(t), x(t_h), t),$$

then its derivative is a solution of the system

$$x'_{h,i}(t) = \sum_{j=1}^n \frac{\partial f_i}{\partial x_j(t)} x'_j(t) + \sum_{j=1}^n \frac{\partial f_i}{\partial x_j(t-h)} (x_{h,j}(t-h) - f_i(x(t), x(t_h), t)).$$

This is easily generalized to many delays, or delays depending on parameters, the x_i or the time. See [40] for more details in the case of state-dependent neutral functional differential equations.

2.9 Sequences

In many cases, sequences are iterated in order to converge to a fixed point, a problem that we have already considered. But it may happen that they possess a different meaning and must be iterated a precise number of times. Such an issue cannot be solved by inspecting a low level program.

The following example shows that computing the derivative may sometimes be almost impossible, even if the iteration of the function is easily computed:

$$f(x, n) = (10^n x, n + 1).$$

The value of $f^{21}(0, -10)$ is $(0, 11)$ and $\partial f^{21}/\partial x(0, -10)$ is 1. But the accurate computation of this value with floating point arithmetic would require an unusual precision. See also Beck [5].

2.10 Conditionals and discontinuities in EDOs

We have already discussed the case of continuous functions define by conditionals. The case of discontinuous functions reduces at first sight to the impossibility of computing derivatives at discontinuities. The case becomes harder when we integrate such functions. The derivative of the Heaviside function is 0 on \mathbf{R}^* and undefined at 0. But $\int_{-\infty}^y \text{Heaviside}(x - a)dx = (y - a)\text{Heaviside}(y - a)$, so that its derivative with respect to a is defined and not 0 for $y > a$.

Such issues cannot be handled in Maple by the `piecewise` function but the derivative of the `Heaviside` function involves the `Dirac` function and allows correct computation.

It is however almost impossible to adapt the idea in some numerical setting and most of the time the problem remains unsolved. The best compromise is to approximate the Heaviside function with `atan(ax)`, as done in `Diffedge`, or `erf(ax)`. The choice of the parameter a and of the function to be substituted to Heaviside may be a delicate issue for which we found no proper reference. If a is too small, the approximation of the Heaviside function is poor. If too great, integrators will face difficulties to integrate a stiff equation. We will see in the next section how the use of “`events`” when solving differential equation may offer an alternative and permit some comparisons.

A few Maple experiments illustrating the topic are provided.

2.11 Lagrangian

Mechanical systems whose equations may be easily computed using the Lagrangian formalism deserve a special attention. Let us recall that the Lagrangian is expressed by $\mathcal{L}(x'(t), x(t), t) := E_k(x'(t), x(t), t) - E_p(x(t), t)$, where E_k denotes kinetic energy and E_p potential energy, and that we have

$$\frac{d}{dt} \frac{\partial \mathcal{L}}{\partial x'_i} = \frac{\partial \mathcal{L}}{\partial x_i}, \quad (13)$$

which expresses the minimality of $\int_{t_1}^{t_2} \mathcal{L}(x'(t), x(t), t)dt$, for any two fixed times t_1 and t_2 , the values $x(t_1)$ and $x(t_2)$ being fixed too.

Then, if we have a Lagrangian depending on parameters a_k , we may first compute a normal form from equations (13), which requires that the Hessian $|\partial^2 \mathcal{L}/\partial x'_i \partial x'_j|$ does not vanish, and then compute the derivatives of $\partial x(t)/\partial a_k$ using the method developped in subsection 2.5. An alternative is to stay in the Lagrangian formalism, using the derivative of the Lagrangian with respect to a_k :

$$\frac{d}{da_k} \mathcal{L} = \sum_{i=1}^n \frac{\partial \mathcal{L}}{\partial x'_i} \frac{\partial x'_i}{\partial a_k} + \sum_{i=1}^n \frac{\partial \mathcal{L}}{\partial x_i} \frac{\partial x_i}{\partial a_k} + \frac{\partial \mathcal{L}}{\partial a_k}.$$

Such formulas may be iterated for higher derivatives.

More interesting is the ability to use the Lagrangian formalism with discontinuous terms of energy in order to model shocks, under the assumption that the total energy is preserved. We need here the assumption that the kinetic energy E_k is quadratic with respect to derivatives x'_i : $E_k = (x')^t A(x)(x')$, where $A(x)$ is an *invertible*⁸ $n \times n$ matrix. We assume that $E_p = E_{p,1}$ if $f(x, t) \geq 0$ and $E_p = E_{p,2}$ if $f(x, t) < 0$. By the principle of least action, the following integral must be minimal:

$$\int_{t_0}^{t_1} \mathcal{L}(t) dt + \int_{t_1}^{t_2} \mathcal{L}(t) dt,$$

where $f(x(t_1), t_1) = 0$. We recall that $x(t_0)$ and $x(t_2)$ are fixed. We further assume that

$$\sum_{i=1}^n \frac{\partial f}{\partial x_i} x'_i + \frac{\partial f}{\partial t} > 0.$$

In the sequel, we omit sum signs to alleviate formulas. The minimality of the integral implies that, denoting by δx_i a small variation,

$$\int_{t_0}^{t_1} \frac{\partial \mathcal{L}}{\partial x'_i} \delta x'_i + \frac{\partial \mathcal{L}}{\partial x_i} \delta x_i dt + \int_{t_1}^{t_2} \frac{\partial \mathcal{L}}{\partial x'_i} \delta x'_i + \frac{\partial \mathcal{L}}{\partial x_i} \delta x_i dt + (\mathcal{L}(t_1^-) - \mathcal{L}(t_1^+)) \delta t_1 = 0, \quad (14)$$

where $\mathcal{L}(t_1^\pm)$ denote the left and right limits at time t_1 . Integrating by parts, we get:

$$\begin{aligned} \int_{t_0}^{t_1} \left(-\frac{d}{dt} \frac{\partial \mathcal{L}}{\partial x'_i} + \frac{\partial \mathcal{L}}{\partial x_i} \right) \delta x_i dt + \int_{t_1}^{t_2} \left(-\frac{d}{dt} \frac{\partial \mathcal{L}}{\partial x'_i} + \frac{\partial \mathcal{L}}{\partial x_i} \right) \delta x_i dt \\ + \frac{\partial \mathcal{L}}{\partial x'_i}(t_1^-) \delta x_i(t_1^-) - \frac{\partial \mathcal{L}}{\partial x'_i}(t_1^+) \delta x_i(t_1^+) + (\mathcal{L}(t_1^-) - \mathcal{L}(t_1^+)) \delta t_1 = 0. \end{aligned} \quad (15)$$

As we have

$$\frac{d}{dt} \frac{\partial \mathcal{L}}{\partial x'_i} = \frac{\partial \mathcal{L}}{\partial x_i},$$

the condition at t_1 becomes

$$\frac{\partial \mathcal{L}}{\partial x'_i}(t_1^-) \delta x_i(t_1^-) - \frac{\partial \mathcal{L}}{\partial x'_i}(t_1^+) \delta x_i(t_1^+) + (\mathcal{L}(t_1^-) - \mathcal{L}(t_1^+)) \delta t_1 = 0, \quad (16)$$

that must stand for any small variation δx , δt_1 . For simplicity, we may assume to have chosen coordinates x_i in such a way that $df(x(t_1), t_1) = C dx_n$, meaning that dx_i , $1 \leq i < n$ are coordinates on the hyperplane tangent to the hypersurface H defined $f(x(t_1), t_1) = 0$. With $A(x(t_1), t_1) = (a_{i,j})$, we may furthermore assume that $a_{i,n} = a_{n,i} = 0$ if $i \neq n$.

With $dt_1 = 0$, we get

$$\frac{\partial \mathcal{L}}{\partial x'_i}(t_1^-) = \frac{\partial \mathcal{L}}{\partial x'_i}(t_1^+), \quad \text{for } 1 \leq i < n, \quad (17)$$

meaning that

$$x'_i(t_1^-) = x'_i(t_1^+), \quad \text{for } 1 \leq i < n. \quad (18)$$

⁸Without invertibility, we cannot obtain explicit equations from the Lagrangian.

The component of the speed tangent to H is preserved.

As the trajectory is continuous, we have

$$\delta x_i(t_1^-) + x'_i(t_1^-)\delta t_1 = \delta x_i(t_1^+) - x'_i(t_1^+)\delta t_1 \quad (19)$$

with

$$\frac{\partial f}{\partial x_i} \delta x_i(t_1^\pm) \mp \left(\frac{\partial f}{\partial x_i} x'_i(t_1^\pm) + \frac{\partial f}{\partial t}(t_1) \right) \delta t_1 = 0. \quad (20)$$

We may now consider the case $x_i(t_1^-) + x'_i(t_1^-)\delta t_1 = \delta x_i(t_1^+) - x'_i(t_1^+)\delta t_1 = 0$ for $1 \leq i < n$. Let

$$v := -\frac{\partial f}{\partial t} / \frac{\partial f}{\partial x_n}.$$

It corresponds to the speed of the hyperplane H . We have

$$\delta x_n(t_1^\pm) = \pm(x'_n(t_1^\pm) - v)\delta t_1,$$

so that we obtain

$$2a_{n,n}x'_n(t_1^-)(x'_n(t_1^-) - v) + a_{n,n}x'_n(t_1^-)^2 + E_{p,2} = 2a_{n,n}x'_n(t_1^-)(x'_n(t_1^-) - v) + a_{n,n}x'_n(t_1^+)^2 + E_{p,1} \quad (21)$$

equivalent to the final equation:

$$a_{n,n}(x'_n(t_1^-) - v)^2 + E_{p,2} = a_{n,n}(x'_n(t_1^+) - v)^2 + E_{p,1}, \quad (22)$$

meaning that the sum of the potential energy and the kinetic energy associated to the speed relative to the hyperplane H and orthogonal to it for the norm defined by the matrix A remains constant. In particular, this implies the conservation of the energy.

Assuming that $a_{n,n}(x'_n(t_1^-) - v)^2 + E_{p,1} - E_{p,2} < 0$, the equation (22) has no real solution, so that we have a rebound. The mobile stays in the half space $f(x(t), t) < 0$ and we have then

$$a_{n,n}(x'_n(t_1^+) - v) = -a_{n,n}(x'_n(t_1^-) - v). \quad (23)$$

The Maple package `D_ODE_tools` contains a function that computes `events` that represent such a discontinuity, associated to the vanishing of function f . Details of the implementation would be boring. We only mention that the evaluation of the new values $x'_i(t) = foo_i(x')$ is done in sequence, which would produce the erroneous affectation $x'_2 = foo_2(foo_1(x'), x'_2, \dots)$ instead of $x'_2 = foo_2(x'_1, x'_2, \dots)$, so that we needed to perform in two steps $z_i = foo_i(x')$, and then $x'_i = z_i$. What is to be stressed is that AD of high level functions is full of many troubles of this kind that are highly time consuming: it is unavoidable that the documentation of a powerfull and versatile function tends to be both quite lengthy and somehow unprecise, so that many experiments are required.

As an example, the case of a double pendulum. The integration using `events` is compared with an approximation with `arctan`. One may note that we need to use some trick to prevent unwanted activation of an event a short time after a discontinuity has been encountered and first derivatives given new values.

In our Maple worksheet, many intermediate results are not printed. In fact, the formulas used in the events description are often (too) big. One needs tools to replace useless lengthy formulas with SLP (Straight Line Programms) that compute them. Such issues have been considered with success for solving algebraic systems, for example with Kroncker. See Giusti *et al.* [39].

Producing new events to compute the derivatives of solutions of ODE with discontinuities produced by events according to the `dsolve` syntax boils down from a mathematical standpoint to the case of initial conditions, already considered in subsection Diff-eq th. 2. From a practical standpoint, we prefer to postpone this task, due to the difficulties mentioned above, and many others of the same kind, among them the necessity to deal with the many cases of possible “events”, not all associated to possible discontinuities. We hope to go back to with issue in a next version of this paper.

Glocker [29] considers impacts with dissipations, or multicontact collisions. We refer to Fetecau *et al.* [38] or Leine *et al.* [51] and the references therein for more details on rigid-body dynamics with impacts, dry friction, etc. in a more general setting.

2.12 Operational Calculus

Operational calculus is a convenient way to deal with linear differential equations, popular in many applicational fields, including control theory. An easy way to develop it on sound bases, avoiding difficulties of defining the Laplace transform for some function, was developed by the Polish mathematician Jan Mikusiński [55], using Titchmarsh convolution theorem [74]: the convolution operator on \mathbf{R}^+ defines a domain on continuous functions. So, as $\int f = 1 * f$, the derivation operator s may be defined as the inverse of 1 for convolution, in a purely algebraic way.

Even delays may be modeled in this framework, by using formula $f(x - h) = e^{-hs}f$. Differentiation with respect to parameters in differential equations is straightforward in this setting. If we have a differential equation describing a system with output y and input u : $y' = ay + u$, we may translate it as $(s + 1)y = u$, so that $y = u/(s + 1)$. This *transfer function* expresses the relation between the input and the output.

2.13 Differentiating noisy data

If the final goal of automatic differentiation is to build embeded code to control and optimize the behaviour of a physical process, one is soon faced with the major difficulty of computing the derivatives of noisy signal. Finite difference may be acceptable for first derivatives and low level noises, but one may achieve better accuracy using the evaluation of derivatives by integration.

The general idea may be traced back to [50]. See also [34, 69, 69, 63, 17]. But this approach is not well suited for online computation as each evaluation of a derivative at a given point require a new integration. An other method inspired by Mikusiński’s theory has been designed by Fliess, Sira-Ramirez, Join... [22]. With this approach, the evaluation of derivatives may be obtained by continuous integration. However, the quality of the result is best some time after the integration starts and is subject to some degradation,

so that one needs to restart repeatedly the method, which is not trivial from a computer programming standpoint. See also [60] for a variant that tries to avoid reinitialization and may to some extent be used with delay systems.

3 Diffedge

Diffedge is a differentiation tool designed for systems represented by block diagrams in Matlab⁹ Simulink. Its goal is to provide a result that remains in the same diagram environment. It was developed by Appedge in 2005 [54, 2] and is the result of a long familiarity with the subject [28]. Optimization often require to get an analytical expression of the gradient function, which is a non trivial task in this setting, but then real time optimization tools may be tested and translated in C/C++ code ready for use on embedded processors, using e.g. Embedded Coder[®].

Several ways may be considered, but they do not all allow to handle models with discontinuities (switch, saturation, etc.) or heterogenous mathematical representation mixing continuous and discrete time models. We will illustrate the possibility on some simple examples.

3.1 A didactic example

In this first order model (fig. 1), we want to compute the derivative with respect to the parameter τ of the model.

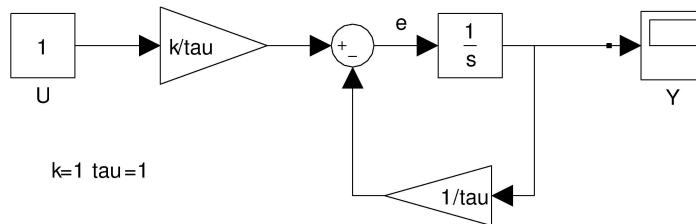


Figure 1: Academic example : First order transfert function

3.1.1 Symbolic derivative. Manual method using the transfer function

See subsection 2.12 for operational calculus formalism used here. Compute the equivalent transfer function. Write the equation between each block and resolve the causality:

$$\begin{pmatrix} e & = & -\frac{1}{\tau}Y + \frac{k}{\tau}U \\ Y & = & \frac{1}{s}e \end{pmatrix} \implies Y = \frac{kU}{1 + \tau s} \quad (24)$$

⁹About AD in the Matlab environment, see *e.g.* [58, 49].

Then, we have two possibilities. The first is to work in the Laplace domain.

$$\frac{dY}{d\tau} = \frac{-ks}{(1 + \tau s)^2} U. \quad (25)$$

The second way is to transform the equation 24 in time differential equation like (equ. 26) :

$$y' = \frac{-y + ku}{\tau} \implies \frac{dy'}{d\tau} = \frac{\left(-\frac{dy}{d\tau} + k\frac{du}{d\tau}\right)\tau + y - ku}{\tau^2} \quad (26)$$

with

$$\frac{du}{d\tau} = 0.$$

For theses 2 ways (equ. 25) and (equ. 26), it is necessary to rewrite the equations in block diagram description and to make the time integration to get the expected result. We can also, when it is possible, compute a finite form solution (equ. 27) and derivate this one with respect to the independent parameters.

All these methods are not useful to keep the block diagram description but it is better that nothing when the model is simple.

$$y' = \frac{-y + ku}{\tau} \quad \xrightarrow{[b] \int} \quad y(t) = k \left(1 - e^{-t/\tau}\right) u(t) \quad \xrightarrow{[b] d/d\tau} \quad \frac{dy(t)}{d\tau} = \frac{kte^{-t/\tau}}{\tau^2}. \quad (27)$$

3.1.2 Finite difference with independent parameters

Often, this method is used with optimization algorithm and to compute the derivative with respect to parameter by finite difference. Nevertheless, it is very difficult to choose the epsilon value of the parameter. This method does not work well when we have noise on the input, strongly non linear equation or when we have discontinuities in the model (step, hysteresis, etc) and it is very difficult to embed it in real time. The finite difference is not generally accurate and the optimization, even if we use a complex strategy of optimization, does not lead to the optimal solution due to the choice of epsilon. But all the engineers use it for small and big models.

3.1.3 Via computer algebra tools

We can use `BlockImporter™` (which is a Maple add-on) that allows you to import a Simulink model into Maple and to convert it into a set of mathematical equations. Thus it is possible to analyze and derivate the equation in a reliable way. But the work is not finished, as it is necessary to translate the result back in the Simulink block diagram environment. It will be impossible to treat the blocks: discontinuities, logic evens and look-up table in the model, except if we decompose the model in piecewise continuous functions. Another hard issue will be closed form integration, which will not be possible in the general case, and may be very expensive in time and memory.

3.1.4 Automatic differentiation of code

We may try to convert the model in C or Fortran code and then call appropriate tools. For a short and didactic example, we use the on-line Automatic Differentiation engine TAPENADE. The routine model table 3.1.4 describes the equation(25): the dependent output variables are `yprime`, `y` and the independent parameter `tau`. We have chosen the option Fortran and differentiated in “TangenteMode”, we have obtained the differentiated program in table 3.1.4.

```
SUBROUTINE MODEL(yprime, y, u, tau, k)
IMPLICIT NONE
DOUBLE PRECISION yprime, y, u, tau, k
yprime = (-y+k*u)/tau
END
```

Figure 2: Source code

```
SUBROUTINE MODEL_D(yprime, yprimed, y, yd, u, tau, taud, k)
IMPLICIT NONE
DOUBLE PRECISION yprime, y, u, tau, k
DOUBLE PRECISION yprimed, yd, taud
yprimed = (-(yd*tau)-(y+k*u)*taud) /tau**2
yprime = (-y+k*u)/tau
END
```

Figure 3: Differentiated program

Usually it is not possible to use the result of the automatic differentiation in real time. We face a lot of problems of compatibility between libraries, or related to the structures of languages, especially when we use triggers¹⁰ or enable blocks. Moreover we don't have access at all the sources of the libraries, which is a major limitation to build embedded code.

3.1.5 Graphic derivative AGDM First derivative

An another way is to apply the rules described in the forthcoming paragraph 3.3 Rules for the automatic graphic differentiation Methodology (AGDM). With these rules, the model (Fig.1) can be written like in the following Figure 4. The rules are straightforward to implement.

¹⁰Triggers are blocks that determine times when the trigger is set “up” or “down”, corresponding to special actions to be performed.

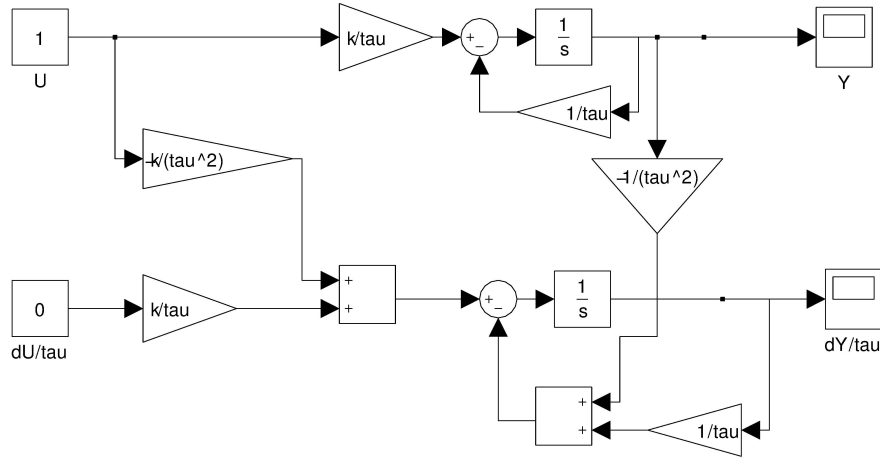


Figure 4: ADGM Order 1

3.2 Computing the Hessian

Try to compute the hessian or the second derivative is very complicated for all the reasons explained before but also by the size of result too, except if the model is simple.

For example, if we start with the Equation 24, we obtain the Equation 28.

$$\frac{d^2Y}{d\tau^2} = \frac{2ks}{(1 + \tau s)^3}U \quad (28)$$

But, the disadvantage which have been outlined is that we lost, in the condensed formula, the saturation of integrator. With ADGM it is possible to drive the integrator in the derivative flow by the saturation value in the original scheme (Fig. 1).

Via ADGM, it is necessary to apply the rules one more time on the model. The properties of the partial derivative are kept: $\frac{\partial^2 Y}{\partial x \partial z} = \frac{\partial^2 Y}{\partial z \partial x}$. However, to use an helpful automat like Diffedge will be appreciated and we obtain the Figure 5. If we compare by numerical simulation (integration) the mathematical form of ADGM methodology and the explicit derivative (Second order) we obtain exactly the same result.

3.3 Rules for Automatic Graphic Differentiation Methodology (AGDM)

The rules are based on the technical field of “Automatic Differentiation” to derive the conditional structures as well as the structural properties of block (math function, state,...) diagrams and by application of the formula for derivatives of composite functions. Seven simple rules of differentiation, including two rules on the links (J) and five on the blocks (M) allow to automatize the process of differentiation which can be manual or by computer using a computer algebra system like Maple . All these rules can differentiate easily a model described as pattern blocks (SISO, MIMO, continuous / sampled, finite state) systems Applying all these rules are possible because we use the structural property (flow causality,

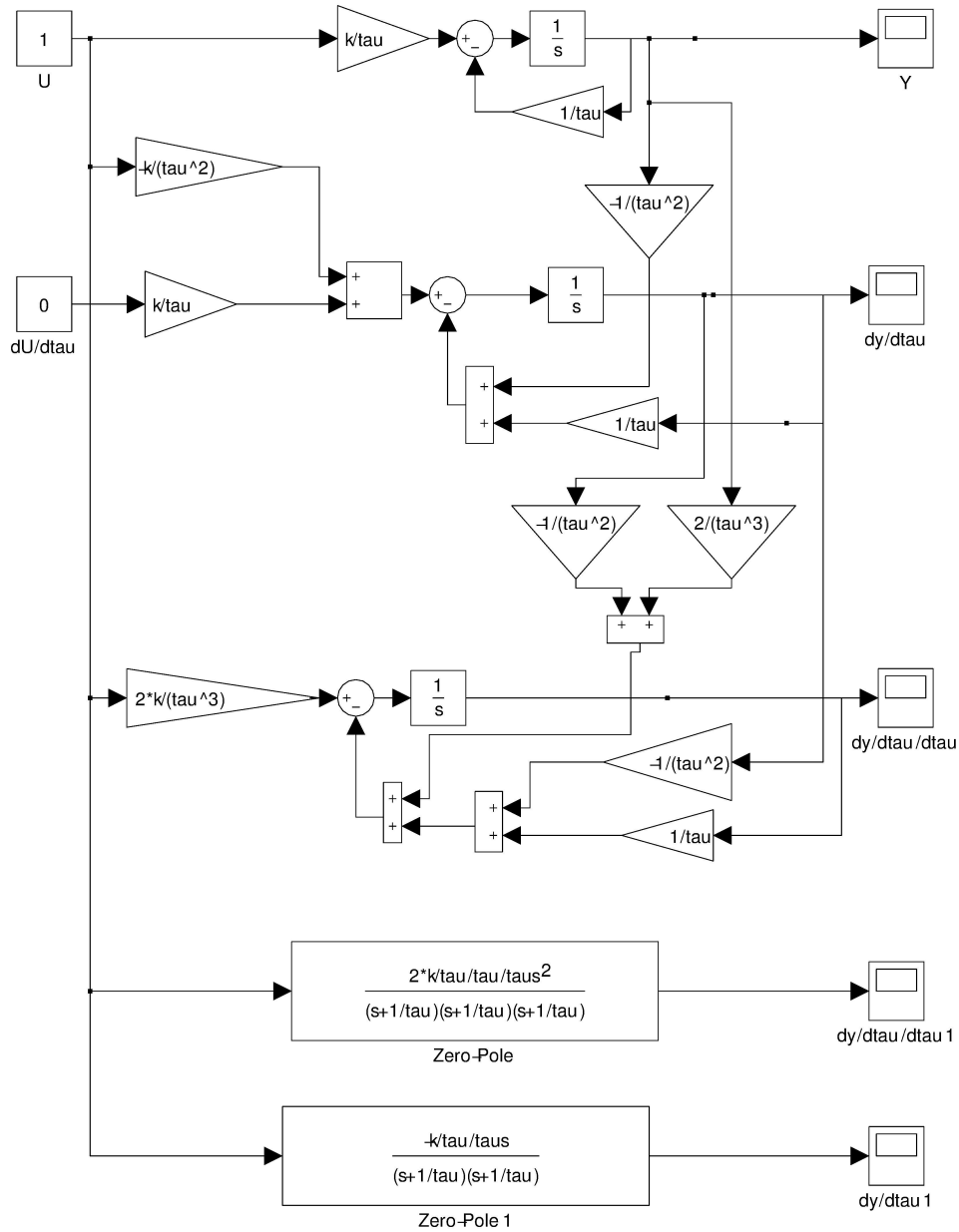


Figure 5: Hessien of original scheme (Order 1)

block independent,...) of bloc diagram representation. Each block is independent, in other words it does not depend on other block around it and is self-standing. This guarantees that all blocks in the block diagram can be differentiated independently of each other. Furthermore, we use the causality property of the block diagram. The derivative flow

propagates like the causality flow.

Finally, with these rules we obtain the block diagram differentiated with respect to the parameter k . The user benefice is very important because the derivative model is also a block diagram and like that, we still have access at all the functionality of Matlab/Simulink (optimization, real time etc.). This method is definitively the best and the most powerful way to get the symbolic derivative instead of translating the model in equations and then derivate them. For understanding these rules, one may look to their application on the figures (Fig.1),(Fig.4) and (Fig.5).

3.3.1 Link rules: J1 and J2

J1 Whatever the block through by the differentiated flow, all its outputs will be affected by it. This rule can be applied for scalar links, vector and matrix. For example multiplexor, demux, subsystem, etc (see 6)

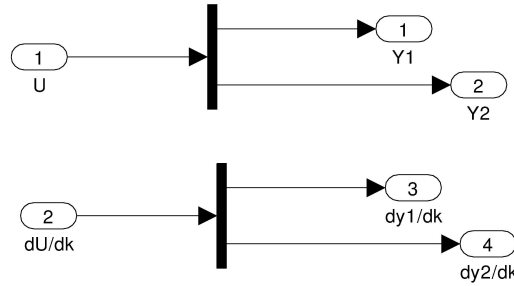


Figure 6: J1 rule applied to Mux block

J2 All blocks unaffected by the derivative flow and not depending on derivative parameter can be considered as a constant source equal to zero like constant block, sourcefrom workspace , etc In other words, when the inputs do not carry the flow derivative with respect to derivative parameter, the block does not appear in the derivative block diagram. This rule is useful for simplifying the derivative model. (see 7)

3.3.2 Block rules M1, M2, M3, M4, M5

M1 All the inputs/outputs of each of block and the sub-block of the original scheme should be accessible at every step time of the simulation. Because it is necessary to have the mathematical function of each block to obtain the derivative scheme. Moreover, each subsystem is increased of the derivative flow. For instance, the subsystem with 2 inputs and 1 output differentiated with respect of 2 parameters k_1 and k_2 gives the following:

M2 For all linear blocks $H(k)$ in U through by differentiated flow we can built the following scheme that contains the original block diagram increased of derivative with respect to a parameter k .(Fig. 9)

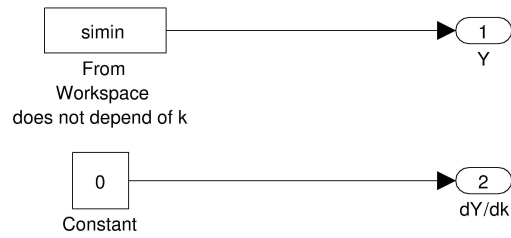


Figure 7: J2 rule derivative block independent of the parameter

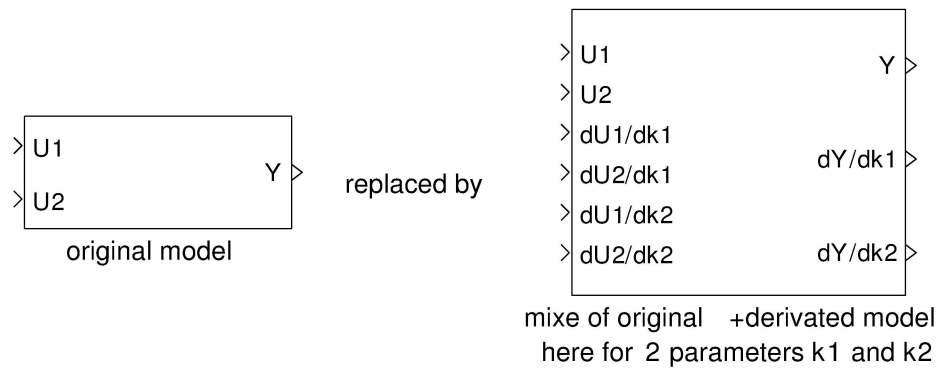


Figure 8: Derivative subsystem

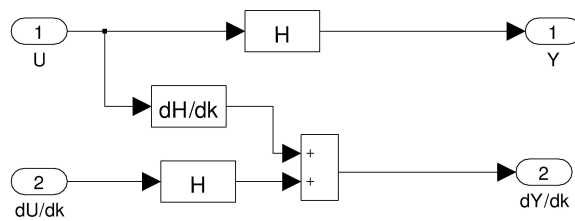


Figure 9: M2 rule for alinear block depending on of the parameter k

If the block does not depend of derivative parameter, we obtain the diagram below (figure 10).

In fact, when the blocks are linear and do not depend on the differentiation parameter, we just need to duplicate the model into the derivative flow. We will increase the original model as many times as there are parameters with respect to which differentiation is

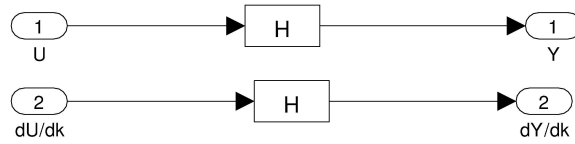


Figure 10: M2 rule for linear block without parameter

performed.

M3 For a nonlinear block we write

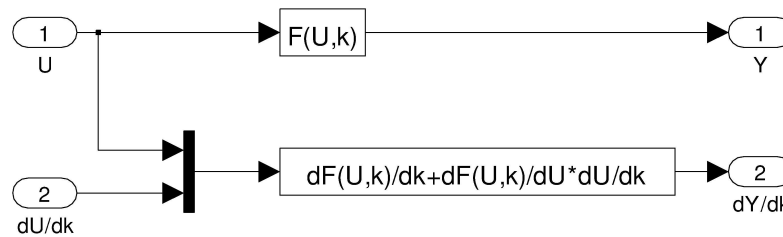


Figure 11: M3 for non linear block in Laplace or Z

In this case, it may be necessary to use a computer algebra system to compute the derivatives, according to the mathematical definition of the block.

M4 For a conditional block (Switch, hysteresis, max, min, trigger subsystem, logic(and, or,etc) , stateflow..., saturated integrator ...) which is defined by a piecewise or event function, we duplicate the block and we keep the same logical tests as in the original block but the outputs contain the derivative flow. According to automatic differentiation, the threshold of logical blocks has not to be differentiated.(figure 12)

M5 In the case of “black box” block, such as a lookup table 1D, nD or **S-function**¹¹, the mathematical equations are not accessible and nothing can be done in the case of lookup tables. So we need to retreat to finite difference. *E.g.* in the case of a function $y(x, k) = f(x, k, u(x, k))$, we obtain an evaluation of the derivative $\frac{df}{du} = \frac{\partial f}{\partial k} + \frac{\partial f}{\partial u} \frac{\partial u}{\partial k}$:

¹¹Simulink block written outside of the block environment, in a computer language such as Matlab, C, C++ or Fortran.

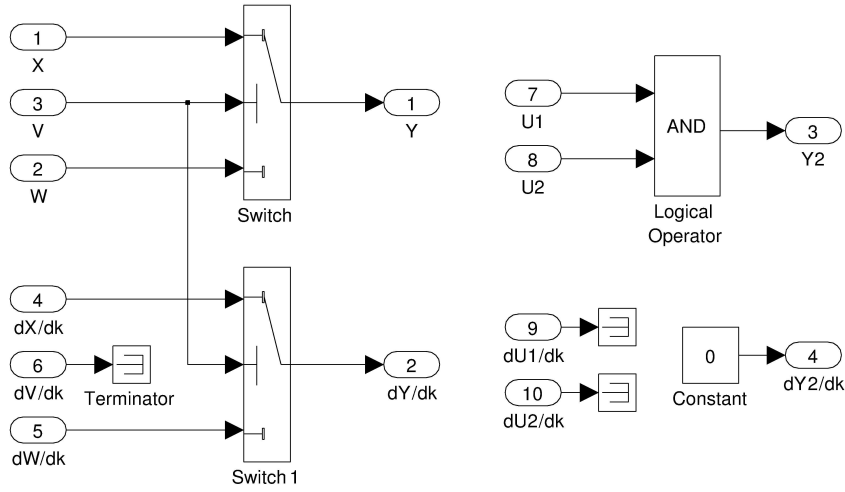


Figure 12: M4 rule on switch and AND block

$$\frac{dy(k, u(k))}{dk} = \frac{f(x, k + \epsilon_k, u(x, k + \epsilon_k)) - f(x, k, u(x, k))}{\epsilon_k} + \frac{f(x, k, u(x, k) + \eta_{u(k)}) - f(x, k, u(x, k))}{\eta_{u(k)}} \frac{\partial u(k)}{\partial k}. \quad (29)$$

The best choice of the increment $\eta_{u(k)}$ of the input $u(k)$ is the step between 2 values of $u(k)$ input values of a lookup table. In general, the choice of the increment $\epsilon(k)$ may require many tests before finding a proper value and it is better to adapt the choice for each lookup table or black box block rather than using a single value ϵ for the whole model.

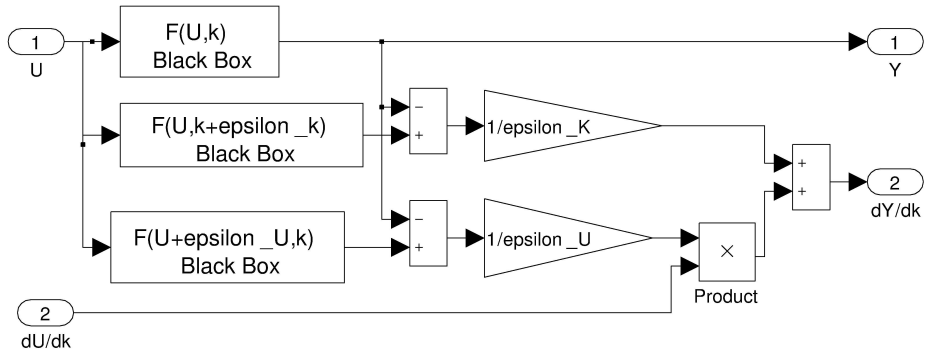


Figure 13: M5 rule for Black box

All the rules introduced above are sufficient to compute the derivative model of all

Simulink models and for specifying an automata computing the derivative like Diffedge.

3.3.3 Other mathematical representation

This notion of graphic derivative may be generalized to all mathematical objects like continuous transfer and state space but also to discrete transfer function and state space. It is thus possible to build the gradient of hybrid models. For instance, in the case of continuous state space JM's rules give the original state-space increased of the derivative flow

Continuous case

$$\begin{cases} \dot{X} &= AX + BU \\ Y &= CX + DU \end{cases} \implies \begin{cases} \begin{pmatrix} \dot{X} \\ \frac{d\dot{X}}{dk} \end{pmatrix} &= \begin{bmatrix} A & 0 \\ \frac{dA}{dk} & A \end{bmatrix} \begin{pmatrix} X \\ \frac{dX}{dk} \end{pmatrix} + \begin{bmatrix} B & 0 \\ \frac{dB}{dk} & B \end{bmatrix} \begin{pmatrix} U \\ \frac{dU}{dk} \end{pmatrix} \\ \begin{pmatrix} Y \\ \frac{dY}{dk} \end{pmatrix} &= \begin{bmatrix} C & 0 \\ \frac{dC}{dk} & C \end{bmatrix} \begin{pmatrix} X \\ \frac{dX}{dk} \end{pmatrix} + \begin{bmatrix} D & 0 \\ \frac{dD}{dk} & D \end{bmatrix} \begin{pmatrix} U \\ \frac{dU}{dk} \end{pmatrix} \end{cases} \quad (30)$$

Discrete case For the Discrete case, we have the same structure with the following notation: $\dot{X} = X_{n+1}$ and $X = X_n$ and idem for U and Y .

In Simulink The Discrete Transfer function block implements the z-transform transfer function described by z^n or z^{-n} power with the following equations in z:

$$H(z) = \frac{b_0 + b_1z + \dots + b_mz^m}{a_0 + a_1z + \dots + a_mz^m} \quad \text{with } m \leq n. \quad (31)$$

3.4 Other examples

Simulink blocks have often dissimulate complex structures. It may then be necessary to rewrite theses blocks using elementary blocks to be able to apply the rules and compute the derivative of blocks such as **Min**, **Max**, etc.

Discontinuous block: For example, we propose to differentiate the Saturation Dynamic block (the bounds range of the input signal to upper and lower saturation values). The input signal outside of these limits saturates to one of the bounds low or up port. We suppose, the bounds do not depend of the parameter.

Discrete block. We want to study the sensibility of the parameter k inside of discrete integrator, it is necessary to compute the derivative (Fig. 16)

Application of rules gives the Fig. 3.4 For computing the derivative of the (Fig. 16), we duplicate the original model. We just put the source at zero and link the derivative of the integrator with respect to K just after the add block then finally we put a additional block in the derivative flow.

And at last, we compare the ADGM with the evaluated derivative. This last one step is very complicated to obtain. We have to evaluate the close loop, to compute the derivative with respect to k and to convert it into a rational fraction in canonic form that will be



Figure 14: Saturation Dynamic block (left) and its derivative (right)

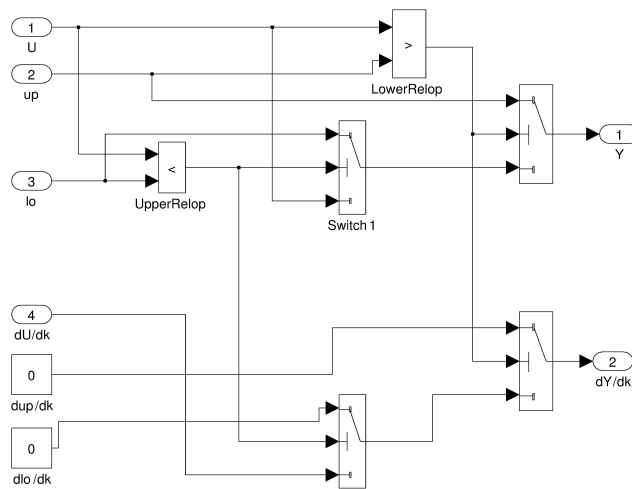


Figure 15: Inside the Derivative of Saturation dynamic block

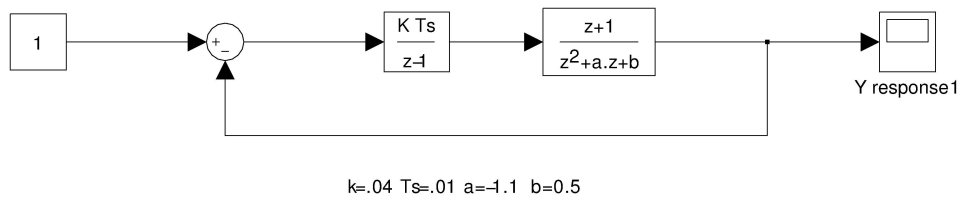


Figure 16: Discrete representation

entered in the dialogue discrete box of Simulink. The next formula expresses the formal

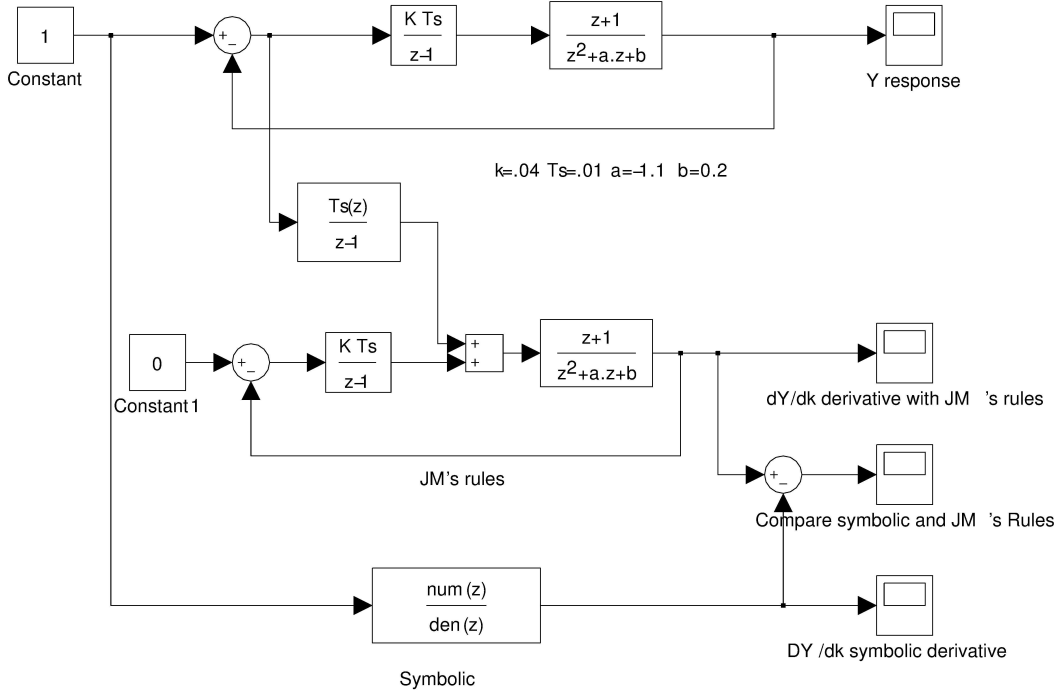


Figure 17: Discrete derivative representation

derivative and is implemented in the “Symbolic” block of fig. 3.4.

$$\frac{dY(z)}{dk} = \frac{Ts(z^4 + az^3 + (b-1)z^2 - az + KTs - b) - KTs^2}{(z^3 + (a-1)z^2 + (KTs - a + b)z + KTs - b)^2}. \quad (32)$$

The result obtained with ADGM is exactly equal to what we get from the integration of equation 32, with less effort.

The best way for computing the derivative is to use JM’s rules. It is very simple, efficient, fast and useful. This method is also a good way for optimizing Finite Response Input (FIR) filters¹² with saturation.

3.5 An example of optimization

We conclude this section with a classical example. We consider a second order system and try to minimize the energetic cost of the transitory behaviour during a step action. Our second order system is the following (Fig. 20).

$$x'' = -2\zeta\omega x' - \omega^2 x + \omega^2 u(t) \quad (33)$$

$$y = x \quad (34)$$

¹²Such filters are known to have useful property such as inherent stability.

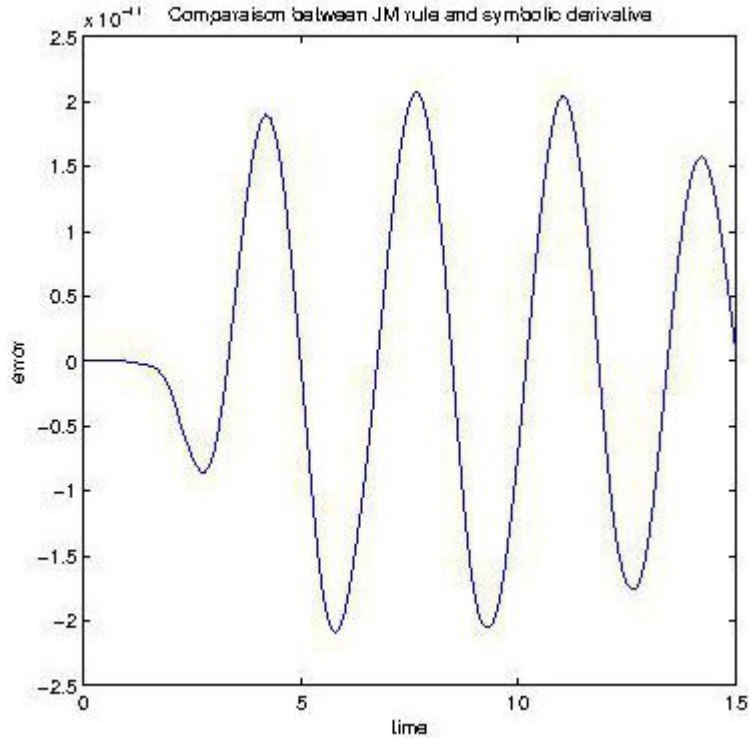


Figure 18: Error between the true and ADGM derivative

The initial conditions are $x(0) = 0$ and $x'(0) = 0$ and $u(t)$ the Heaviside function $u(t) = 0$ if $t < 0$ and $u(t) = 1$ if $t \geq 0$.

We want to minimize

$$J(\zeta) = \int_0^{\infty} (\omega^2 e(t)^2 + q^2 e'(t)^2) dt,$$

with $e(t) = x(t) - u(t)$.

In this simple case, a simple Maple computation will provides the optimal value of ζ with $q = 1$ and $\omega = 1$ is $\zeta = \frac{\sqrt{2}}{2} = 0.7071067811865475$ with 16 Digits. We will use it to illustrate how Diffedge can be used for optimization. For this, we need to compute $(\partial J / \partial \zeta)(\zeta)$, in order to use the Levenberg–Marquardt algorithm, implemented in Matlab `fsolve` function. The time of simulation is 10 sec.

Our goal is to compare AD and finite difference in real world condition (by example embedded optimization on micro computer), many practical examples encountered in engineering practice being close to this archetypic problem wherever the sample time of the observation is large.

Remark. One must be careful to the sensibility of the computation of the integral J with respect to the time observation frequency: not enough points will give a poor precision in

optimization, but too many points can cumulate inaccuracies and finite difference method will be very sensitive to such computational noise. The time observation is given by the block `rate transition` with the variable $Tsample$. Here after (fig. 19, we show two responses with different values of $Tsample$. One may notice that there are too few points in the sample here to use finite difference but that AGDM still works.

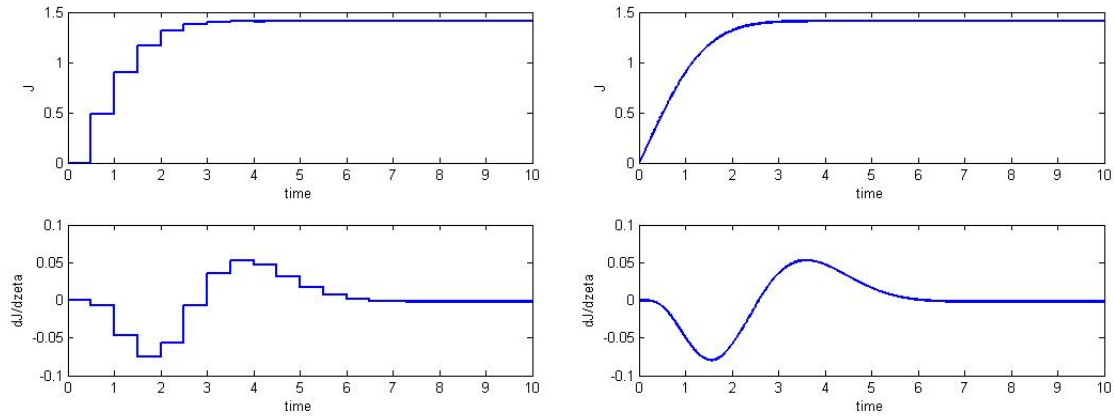


Figure 19: $Tsample=0.5$ seconds (left) and $Tsample= 0.005$ seconds (right)

Differentiation. The corresponding block diagram of these equations can be written in the following way (Fig. 20). Following classical engineering practice, one may use Heaviside operational calculus and represent our equations by a unit feedback of the open loop system described by the transfer function

$$\frac{\omega^2}{s(2\omega\zeta + s)}$$

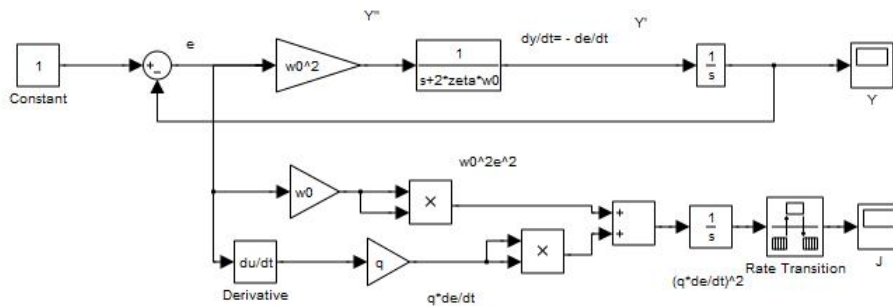


Figure 20: Second order with cost function J

In this model, the cost is simulated together with the initial model. One may notice that, for the sake of genericity, the derivative $e'(t)$ is computed using the block `derivative`,

that uses finite difference, that may penalize accuracy. But, if u were not constant for $t \geq 0$, we would have no other choice, as $e' = x' + u'$, except if u is itself defined in such a way that AD can be used for it. The differentiated model, described by the following (fig. 20). is obtained by duplicating the initial model (fig. 21). and applying the rules:

- J2 on the constant;
- M2 on the linear block depending on ζ ;
- M3 on the nonlinear blocks like multiplication.

Modifications with respects to the initial model appear in red.

The optimization program to be used here is the following. The output $dJ/d\zeta$ of our differentiated block diagram is embedded in the `myfcost` function.

```
function [J,Jacobian] = myfcost(zeta)
zeta=min(zeta,3);zeta=max(.001,zeta);
assignin('base','zeta',zeta)
sim('mymod');
out=eval('base','out'); % get J in the workspace
dout=eval('base','dout'); % get dJ/dzeta workspace
J=out; % Objective function
if nargin > 1 % Two outputs argument
Jacobian = dout; % Jacobian of the function (ADGM)
end
```

To launch optimization, where ζ is initialized to the value 0.1, one uses the following syntax with option `on` for ADGM/Symbolic or `off` for finite differences, when computing the Jacobian.

```
[zeta_opt,fval,exitflag,output]=fsolve(@myfcost,[.1],optimset('Jacobian','on'))
```

One may compare the obtained value to the theoretical solution of ζ .

Rate transition (time observation)	Matlab jacobien (finite difference)	ADGM jacobien (symbolic) Theoretical $\zeta = 0.7071067811865475$
0.5	Zeta_opt= 0.1 1 iterations funcCount: 22	Zeta_opt=.70698585 9 iterations funcCount: 23
0.1	Zeta_opt= 0.10154269 8 iterations funcCount: 40	Zeta_opt=0.71180603 8 iterations funcCount: 25
0.07	Zeta_opt= 0.10089164 4 iterations funcCount: 29	Zeta_opt= 0.70857782 7 iterations funcCount: 24
0.04	Zeta_opt= 0.10062591 5 iterations funcCount: 32	Zeta_opt= 0.71130072 9 iterations funcCount: 22
0.01	Zeta_opt= 0.70625955 9 iterations funcCount: 29	Zeta_opt= 0.70671083 9 iterations funcCount: 19
0.005	Zeta_opt= 0.70630892 9 iterations funcCount: 29	Zeta_opt= 0.70628714 9 iterations funcCount: 29

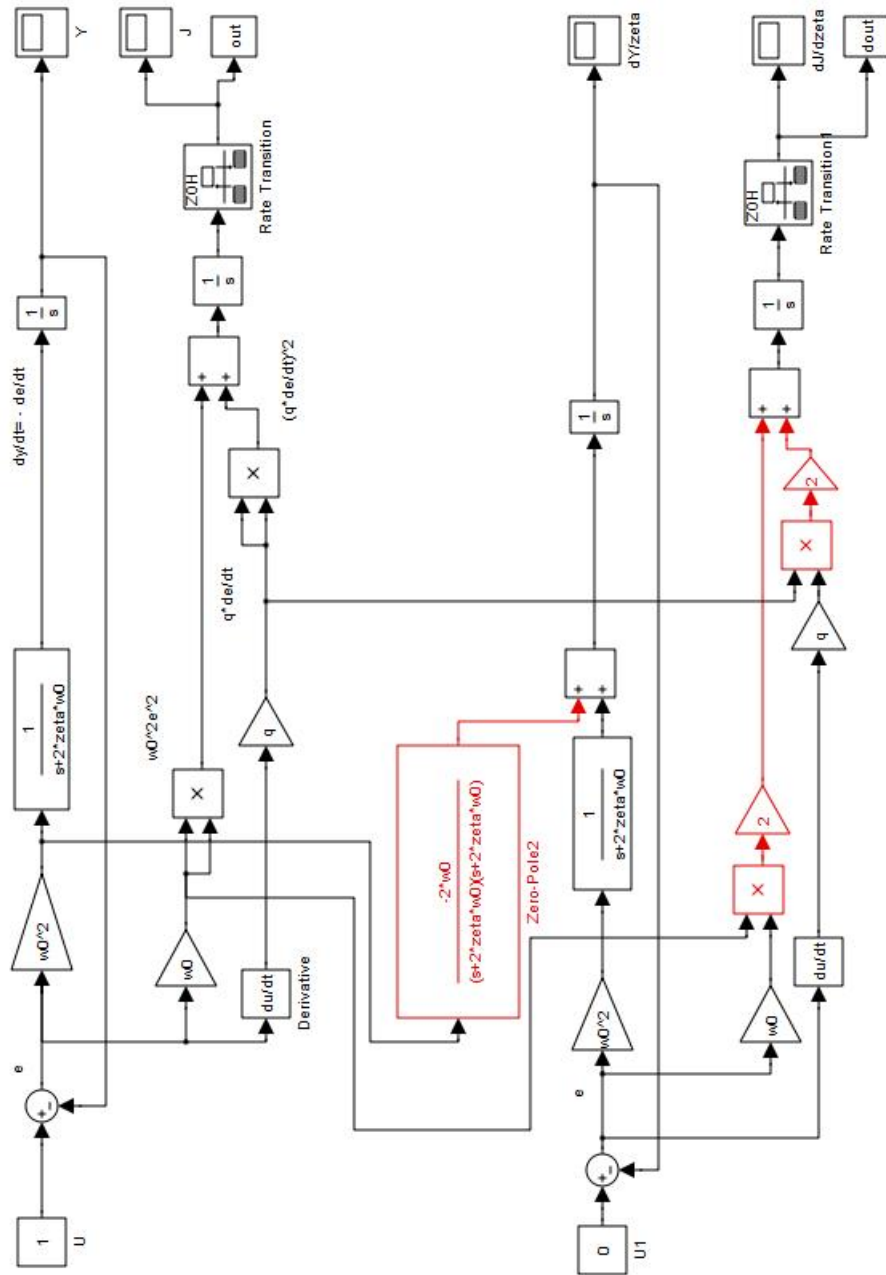


Figure 21: Second order derivative with respect to ζ

The number of observation points does not improve the result. In our case the solver is ode45 and the relative tolerance is $rtol = 10^{-7}$. This means that the computed state (J) is accurate to within 0.00001%. It is not possible to get better precision than around $\approx 10^{-4}$ even using symbolic jacobian. But we notice that the optimization with a symbolic jacobian is more reliable.

4 Testing the precision

It seems safe to complete this presentation with a few hint to test the robustness of the obtained results. Most of the time, it is of course impossible to compare results using an extra tool with certified reliability. And if the result of the other tool is not somehow “certified”, a third one would be required, in case of discrepancies, assuming that if two methods agree they are likely to be right.

However, any numerical tool may be tested on a set of known systems that already may give an idea of its possibilities and help to test it during its development.

4.1 Symbolic computation

The possibilities are obvious enough to dispense us of lengthy developments, but as most differential systems do not have closed form solution, let us stress that the safest way would be a start by the solution and reconstruct the system. Chained systems provide an easy way to build systems of increasing size and complexity when keeping symbolic resolution fast.

4.2 Flat systems

Flat system, already mentioned above (see 2.3.1), are a special class of differential systems with a closed form solution, including well known chained examples of arbitrary size, like the car with n -trailer [23] or many discretization of flat infinite dimensional systems [59]. Such examples were used with success during the tests of the rocket engine simulator Carins [61], allowing to detect a bug in Maxima.

4.3 Interval arithmetics

As interval arithmetic can guarantee that the result belongs to the result interval, it may also be used to test any numerical tool. The computer algebra system Mathemagix includes a package `numerix` for intervals and also balls with certified arithmetics [44, 42].

Conclusion

We have shown that, if the advantages of AD are obvious, one needs to be careful in many cases of great practical interest, where its naive use may lead to inaccuracies. A clever use requires a high level knowledge of what subroutines are made for, that is not just their syntax but also semantics. *E.g.* we have shown that differentiating a loop heavily depends on the fact that the loop is assumed to converge to a fixed point, or not. In the worse case, automatic procedures will be unable to recover the semantic hidden behind the syntax, which may lead to unavoidable inaccuracies. The best solution would be to generate numeric code from symbolic formulae, allowing more flexibility if new expressions, such as a derivatives, are required. But the available tools are still limited.

Simulink block diagrams offer a perfect illustration of high level object that may—and must—be differentiated as high level object, leading to better accuracy and keeping the

benefit of their wide range of possibilities, including translation in Fortran or C to incorporate of real time optimization routines in embeded code. To some extend, Simulink block diagram description offers a better and more flexible framework to compute gradients with AGDM methodology that what is offered, not only by low level coputer languages like C or Fortran, but also by computer algebra systems like Maple, with the restriction of discontinuities that cannot be handled properly and require the use of continuous approximations using arctan.

Being able to produce numerical programs that could be efficient and flexible, *i.e.* that could easily produce extra outputs such as derivatives, remains a challenge for software engineering. Producing numerical code from computer algebra specification is a part of the answer, but we need to adapt our tools to produce not only matemathical formulas, but programs that must be fast and well conditionned. For the present time, we still have to cope with the necessity of plugging AD features on softwares that have not been thought in advance to facilitate the task or even make it possible and safe.

References

- [1] ARBOGAST, (Louis François Antoine), *Du calcul des dérivations*, Levrault frères, Strasbourg, an VIII (1800).
- [2] BASTOGNE (Thierry), THOMASSIN (Magalie), MASSE (John), “Selection and identification of physical parameters from passive observation. Application to a winding process” *Control Engineering, Practice, Elsevier*, 2007, 15 (9), pp.1051-1061.
- [3] BAUR (Walter) and STRASSEN (Volker), “The complexity of partial derivatives”, *Theoretical Computer Science*, **22**, 317-330, North-Holland, 1983.
- [4] BECK (Thomas) and FISCHER (Herbert), “The if-problem in automatic differentiation”, *Journal of Computational and Applied Mathematics*, **50**, 119–131, 1994.
- [5] BECK (Thomas) “Automatic differentiation of iterative processes”, *Journal of Computational and Applied Mathematics* 50, 109–118, 1994.
- [6] BELL (Bradley M.) and BURKE James V., “Algorithmic differentiation of implicit functions and optimal values”, chapter in *Advances in Automatic Differentiation*, Lecture Notes in Computational Science and Engineering vol. 64, 67–77, Springer 2008.
- [7] BLISS (Gilbert Ames), “The solutions of differential equations of the first order as functions of their initial values”, *Annals of Mathematics*, Second Series, Vol. 6, No. 2, 49–68, 1905.
- [8] BLISS (Gilbert Ames), “Solutions of differential equations as functions of the constants of integration”, *Bull. Amer. Math. Soc.* vol.25 , 15–26, 1918.
- [9] BOULIER (François), LEMAIRE (François) and MORENO MAZA (Marc), “PARDI !”, *International Symposium on Symbolic and algebraic computation 2001*, ACM Press, 38–47, 2001.

- [10] BOULIER (François), LAZARD (Daniel), OLLIVIER (François) and PETITOT (Michel), “Computing representations for radicals of finitely generated differential ideals”, Special issue Jacobi’s Legacy of *AAECC*, J. Calmet and F. Ollivier eds., 20, (1), 73–121, 2009.
- [11] BOULIER (François), *Bibliothèques Lilloises d’Algèbre Différentielle*, free software developed in C.
<http://www.lifl.fr/~boulrier/pmwiki/pmwiki.php?n=Main.BLAD>
- [12] BOSTAN (Alin), CHYZAK (Frédéric), SALVY (Bruno), LECERF (Grégoire) and SCHOST (Éric), “Differential Equations for Algebraic Functions”, *Proceedings of ISSAC’07*, 25–32, ACM, New-York, 2007.
- [13] Alin (Bostan), Chyzak (Frédéric), Ollivier (François), Schost (Éric), Salvy (Bruno) and Sedoglavic (Alexandre), “Fast computation of power series solutions of systems of differential equations”, *Proceedings of 18th ACM-SIAM Symposium on Discrete Algorithms*, 1012–1021, 2007.
- [14] BRONSTEIN (Manuel), *ElementaryFunction*, Axiom (Scratchpad II) package, 1987.
<http://axiom-wiki.newsynthesis.org/SandBoxElemntry>
- [15] CHRISTIANSON (Bruce), “Automatic Hessians by reverse accumulation”, *IMA J. Numer. Anal.*, **12** (2), 135-150, 1992.
- [16] DICKINSON (Robert P.) and GELINAS (Robert J.), “Sensitivity analysis of ordinary differential equation systems – A direct method”, *Journal of Computational Physics* **21**, 123–143, (1976).
- [17] DRIDI (Mehdi), *Dérivation numérique : synthèse, application et intégration*, PhD thesis, École centrale de Lyon, 2010.
- [18] DUBOIS (François), LE MEUR (Hervé) and REISS (Claude), “Mathematical modeling of antigenicity for HIV dynamics”, *Maths In Action*, 3, (1), (2010), 1–35.
- [19] ELSHEIKH (Atiyah) and WIECHERT (Wolfgang), “Accuracy of Parameter Sensitivities of DAE Systems using Finite Difference Methods”, *IFAC Proceedings Volumes*, Volume 45, Issue 2, 136–142, 2012.
- [20] ELSHEIKH (Atiyah), “An equation-based algorithmic differentiation technique for differential algebraic equations”, *Journal of Computational and Applied Mathematics*, **281**, 135–151, 2015.
- [21] ESTÉVEZ SCHWARZ (Diana) and LAMOUR (René), “Diagnosis of singular points of properly stated DAEs using automatic differentiation”, *Numer. Algor.* 70, 777–805, 2015.
- [22] FLIESS (Michel), JOIN (Cédric) and SIRA-RAMÍREZ (Hebertt), “Non-linear estimation is easy”, *Int. J. Modelling Identification and Control*, Inderscience Enterprises Ltd., 2008, Special Issue on Non-Linear Observers, 4 (1), 12-27.

- [23] FLIESS (Michel), LÉVINE (Jean), MARTIN (Philippe) and ROUCHON (Pierre), “Flatness and motion planning: the car with n trailers”, *European Control Conference*, 1518–1522, 1993.
- [24] FLIESS (Michel), LÉVINE (Jean), MARTIN (Philippe) and ROUCHON (Pierre), “Flatness and defect of nonlinear systems: introductory theory and applications”, *Internat. J. Control*, 61, p. 1327–1887, 1995.
- [25] FLIESS (Michel), LÉVINE (Jean), MARTIN (Philippe) and ROUCHON (Pierre), “Deux applications de la géométrie locale des diffiétés”, *Annales de l’IHP, section A*, **66**, (3), 275–292, 1997.
- [26] FLIESS (Michel), LÉVINE (Jean), MARTIN (Philippe) and ROUCHON (Pierre), “A Lie-Bäcklund approach to equivalence and flatness of nonlinear systems”, *IEEE AC*. 44:922–937, 1999.
- [27] GEBREMEDHIN (Assefaw Hadish), MANNE (Fredrik) and POTHEN (Alex), “What color is your Jacobian? Graph coloring for computing derivatives”, *SIAM REV*, **47**, 629–705, 2005.
- [28] GILBERT (Jean-Charles), LE VEY (Georges) and MASSE (John), *La différentiation automatique de fonctions représentées par des programmes*, Tech. rep. 1557, INRIA, 1991.
- [29] GLOCKER (Ch.), “Concepts for modeling impacts without friction”, *Acta Mechanica* 168, 1–19, 2004.
- [30] GOWER (R. M.) and MELLO (M. P.), “A new framework for the computation of Hessians”, *Optimization Methods and Software*, **27**, (2), 2012.
- [31] GOWER (R. M.) and GOWER (A.L.) “Higher-order reverse automatic differentiation with emphasis on the third-order”, *Math. Program.*, Ser. A 155, 81–103, 2016.
- [32] GRIEWANK (Andreas), “A Mathematical View of Automatic Differentiation”, *Acta Numerica* 12 (2003), 321–398.
- [33] GRIEWANK (Andreas) and WALTHER (Andrea), *Evaluating Derivatives: Principles and Techniques of Algorithmic Differentiation*, Other Titles in Applied Mathematics **105** (2nd ed.), SIAM, 2008.
- [34] GROETSCH (Charles W.), “Lanczos’ generalized derivative”, *Amer. Math. Monthly*, 105 (1998) 320–326.
- [35] GRÖNWALL (Thomas Hakon), “Note on the Derivatives with Respect to a Parameter of the Solutions of a System of Differential Equations”, *Annals of Mathematics*, Second Series, Vol.20, No. 4, pp. 292–296, 1919.
- [36] HUBERT (Évelyne), “Notes on triangular sets and triangulation-decomposition algorithms II: Differential Systems”, *Chapter of Symbolic and Numerical Scientific Computations*, U. Langer and F. Winkler eds, *LNCS*, **2630**, Springer, 2003.

- [37] HUBERT (Évelyne), *Diffalg*, Maple package.
- [38] FETECAU (R.C.), MARSDEN (J.M.), ORTIZ (M.), and WEST (M.), “Nonsmooth Lagrangian Mechanics and Variational Collision Integrators”, *SIAM J. Applied Dynamical Systems*, Vol. 2, No. 3, 381–416, 2003.
- [39] GIUSTI (Marc), LECERF (Grégoire) and SALVY (Bruno) “A Gröbner free alternative for polynomial system solving”, *Journal of Complexity*, 17(1), 154–211, 2001.
- [40] HARTUNG (Ferenc), “Differentiability of solutions with respect to parameters in neutral differential equations with state-dependent delays”, *J. Math. Anal. Appl.*, 324, 504–524, 2006.
- [41] VAN DER HOEVEN (Joris), “Relax, but don’t be too lazy”, *Journal of Symbolic Computation*, Volume 34 Issue 6, 479–542, 2002.
- [42] VAN DER HOEVEN (Joris), “Certifying Trajectories of Dynamical Systems”, Kotsireas I., Rump S., Yap C. (eds), MACIS 2015, *Lecture Notes in Computer Science*, vol. 9582, Springer, 520-532, 2016.
- [43] VAN DER HOEVEN (Joris) and LECERF (Grégoire), “On the bit-complexity of sparse polynomial and series multiplication”, *Journal of Symbolic Computation*, **50**, 227–254, 2013.
- [44] VAN DER HOEVEN (Joris) and LECERF (Grégoire), *23rd Symposium on Computer Arithmetic*, (ARITH), IEEE, 142–149, 2016.
- [45] HOFFMANN (Philipp H.W.), “A Hitchhiker’s guide to automatic differentiation”, *Numerical Algorithms*, Vol. 72 No. 3 (2016), 775–811.
- [46] HUBERT (Évelyne), “Differential Algebra for Derivations with Nontrivial Commutation Rules”, *Journal of Pure and Applied Algebra*, **200**, (1-2), 173–190, 2005.
- [47] JACOBI (Carl Gustav Jacob), “De investigando ordine systematis aequationum differentialium vulgarium cujuscunque”, *Gesammelte Werke V*, 193-216. “The order of a system of ordinary differential equations”, *AAECC*, **20**, (1), 7–32, 2009.
- [48] KAMINSKI (Yirmeyahu), LÉVINE (Jean) and OLLIVIER (François), *Intrinsic and apparent singularities in flat differential systems*, 2017. HAL.
- [49] KHARCHE (Rahul Vijay), *MATLAB automatic differentiation using source transformation*, PhD thesis, Cranfield University, 2011.
- [50] LANCZOS (Cornelius), *Applied Analysis*, Prentice-Hall, Englewood Cliffs, NJ, 1956.
- [51] LEINE (Remco I.) and NIJMEIJER (Henk), *Dynamics and bifurcations of non-smooth mechanical systems*, Springer-Verlag, Berlin Heidelberg New York, 2004.
- [52] LEBRETON (Romain) and SCHOST (Éric), “A simple and fast online power series multiplication and its analysis”, *Journal of Symbolic Computation*, **72**, 231–251, 2016.

- [53] LÉVINE (Jean), *Analysis and Control of Nonlinear Systems: A Flatness-based Approach*, Springer, 2009.
- [54] MASSE (John) and CAMBOIS (Thierry), “Differentiation, sensitivity analysis and identification of hybrid Models under Simulink”, *Symposium Techniques Avancées et Stratégies Innovantes en Modélisation et Commandes Robustes des Processus Industriels*, Martigues, 21 & 22 septembre 2004.
- [55] MIKUSIŃSKI (Jan G.), *Rachunek operatorów*, Warszawa 1953. *The Operational Calculus*, Pergamon Press, Oxford, 1983.
- [56] Monagan (Michael B.) and Neuenchwander (Walter M.), “GRADIENT: Algorithmic Differentiation in Maple”, *Proceedings of ISSAC’93*, 68–76, ACM Press, 1993.
- [57] MORGENSTERN (Jacques), “How to compute fast a function and all its derivatives: a variation on the theorem of Baur-strassen”, *ACM SIGACT News*, Volume 16, Issue 4, 60–62, ACM Press, April 1985.
- [58] NEIDINGER (Ricerd D.), “Introduction to automatic differentiation and MATLAB object-oriented programming”, *SIAM Review*, Vol. 52, No. 3, 545–563, 2010.
- [59] OLLIVIER (François) and SEDOGLAVIC (Alexandre), “A generalization of flatness to nonlinear systems of partial differential equations. Application to the command of a flexible rod”, *Proceedings of the 5th IFAC Symposium “Nonlinear Control Systems”*, vol. 1, Elsevier, 196–200, 2001.
- [60] OLLIVIER (François), MOUTAOUAKIL (Saïd) and SADIK (Brahim), “Une méthode d’identification pour un système linéaire à retard”, *Comptes Rendus Mathématique*, 344, (11) 709–714, 2007.
- [61] ORDONNEAU (Gérard), MASSE (John) and ALBANO (Gérard), “CARINS: un logiciel de modélisation et de simulation pour les procédés industriels complexes fondé sur le logiciel libre”, *REE*, 4, 66-73, 2008. PDF
- [62] NAUMANN (Uwe), “Optimal Jacobian accumulation is NP-complete”, *Math. Programm. Ser. A*, **112**, 427–441, 2008.
- [63] RANGARAJAN (S.K.) and PURUSHOTHAMAN (S.P.), “Lanczos’ generalized derivative for higher orders” *Journal of Computational and Applied Mathematics*, 177, (2005) 461–465.
- [64] RALL (Luis B.), “Early Automatic Differentiation: The Ch’in-Horner Algorithm”, *Reliable Computing*, 13, 303–308, 2007.
- [65] RITT (Joseph Fels), “On the differentiability of the solution of a differential equation with respect to a parameter”, *Ann. of Math.* vol. 20, 289–291, 1919.
- [66] SEDOGLAVIC (Alexandre), “A probabilistic algorithm to test local algebraic observability in polynomial time”, *Journal of Symbolic Computation*, 33 (5), 735–755, 2002.

- [67] SHAMSEDDINE (Khodr) and BERZ (Martin), “Exception handling in derivative computation with nonarchimedean calculus”, chapter of *Computational differentiation: techniques, applications and tools*, Berz, Bischof, Corliss and Griewank eds, SIAM, 1996.
- [68] SCHUMANN-BISCHOFF (Jan), LUTHER (Stefan) and PARLITZ (Ulrich), “Nonlinear system identification employing automatic differentiation”, *Commun. Nonlinear Sci. Numer. Simulat.*, 18, 2733–2742, 2013.
- [69] SHEN (Jhanghong), “On the generalized Lanczos generalized derivative”, *Amer. Math. Monthly* 106 (1999) 766–768.
- [70] SIRA-RAMÍREZ (Hebertt) and AGRAWAL (Sunil K.), *Differentially Flat Systems*, Marcel Dekker, New York, 2004.
- [71] SLAVÍK (Antonín), “Generalized differential equations: Differentiability of solutions with respect to initial conditions and parameters”, *Journal of Mathematical Analysis and Applications*, **402** (1), 261–274, 2013.
- [72] SMITH (Jacob), DOS REIS (Gabriel) and JÄRVI (Jaakko), “Algorithmic differentiation in Axiom”, *ISSAC’07*, ACM Press, 347–354, 2007.
- [73] TIJSKENS (E.), ROOSE (D.), RAMON (H.) and DE BAERDEMAEKER (J.), “Automatic Differentiation for Solving Nonlinear Partial Differential Equations: An Efficient Operator Overloading Approach”, *Numerical Algorithms*, **30**, (3), 259–301, 2002.
- [74] TITCHMARSH (Edward Charles), “The zeros of certain integral functions”, *Proc. London Math. Soc.*, s2-25, (1), 283–302, 1926.
- [75] VOLIN (Yu.M.) and OSTROVSKII (G.M.), “Automatic computation of derivatives with the use of the multilevel differentiating technique—I. algorithmic basis”, *Comp. & Maths. with Appls* Vol. II. No. II., 1099–1114, 1985.
- [76] , WALTER (Éric), *Identifiability of State Space Models, Lecture Notes in Biomathematics*, Vol. 46, 1982.
- [77] WENGERT (R. E.), “A Simple Automatic Derivative Evaluation Program”, *Communications of the ACM*, Volume 7, Issue 8, 463–464, ACM New York, 1964.
- [78] WU (Hulin), ZHU (Haihong), MIAO (Hongyu) and PERELSON (Alan S.), “Parameter identifiability and estimation of HIV/AIDS dynamic models”, *Bull. Math. Biol.* 70 (3), 785–99, 2008.