

CONSTRUCTIVE SIMULATION AND TOPOLOGICAL DESIGN OF PROTOCOLS

ARTHUR JAFFE, ZHENGWEI LIU, AND ALEX WOZNIAKOWSKI

ABSTRACT. We give a topological simulation for tensor networks that we call the *two-string model*. In this approach we give a new way to design protocols, and we discover a new multipartite quantum communication protocol. We introduce the notion of topologically-compressed transformations. Our new protocol can implement multiple, non-local compressed transformations among multi-parties using one multipartite resource state.

1. CONSTRUCTIVE SIMULATION AND TOPOLOGICAL DESIGN

By *constructive simulation* we mean the development of a pictorial language for quantum information that yields intuition and insight, as well as understanding. Just as the choice of language can determine style or tone in writing, the choice of a mathematical language can influence one's pattern of thinking. Different languages convey different ideas and insights related to the same content. A good language can suggest the discovery of new relations and aid the invention of new concepts.

Manin and Feynman introduced the concept of quantum simulation [1, 2, 3], and here we explore the simulation of quantum processes from the point of view of using a diagrammatic language. We are not the first to study topological methods; early landmark papers using topological methods in quantum information include [4, 5, 6]. The categorical approach has been studied extensively in quantum information and tensor networks by many persons [7, 8, 9, 10, 11, 12, 13, 14]. People also studied these subjects from a planar algebra point of view [15, 16]. We believe that our topological simulation, presented in this paper, is significantly different from past attempts and will prove to be useful.

Pictures have for a long time complemented algebra as a way to provide guidance. We focus on communication which is intrinsic to quantum networks: this is the task of propagating information from one place in the network to another. It is reasonable to think that topological simulation based on isotopy is sufficient. In fact, communication seems especially suited for topological design, as quantum communication protocols can be expressed in purely topological form. We showed in [17] that one can recover fundamental concepts in quantum information in this way. In this paper we show how to define new concepts and to use topological simulation to design new protocols.

In §4–§5 we explain the concept of topological simulation in detail, and we define *topologically-compressed transformations*—a category of transformations that includes all controlled transformations.

Then in §6 we use topological *para-isotopy* to design a new diagrammatic protocol that we call *multipartite compressed teleportation* (MCT). We apply this protocol to implement multiple non-local compressed transformations among multi parties—using one entangled state as a resource state, local transformations, and classical communication (LOCC). We show how one can represent MCT in terms of the usual algebraic elements that one employs in circuit design. This protocol improves the efficiency of teleportation, compared with two-party communication, by a factor of two.

The concepts of constructive simulation and topological design are model independent. In this paper we study what we call the *two-string model*. In this model we can simulate the Pauli matrices, measurement, and the resource state in a topological way. In many communication protocols, the measurement-based recovery map is given by Pauli matrices. The resource state is the Bell state, or the GHZ state [18]. Our model provides a topological explanation of this fact.

It is interesting to find if other protocols, such as factoring [19] or secure sharing [20], require using other elements of simulation in addition to topology.

2. FUNDAMENTAL DIAGRAMS IN THE TWO-STRING LANGUAGE

Our *two-string language* acquires its name from the fact that we represent transformations of 1-qudits by diagrams with two input points and two output points. We obtain fundamental diagrams for resource states, measurements, the Pauli matrices X, Y, Z , and the string Fourier transform \mathfrak{F}_S . Our strings are charged, with a label indicating the charge $k \in \mathbb{Z}_d$; this means that we consider charges modulo d .

The reader may wish to read complete details about the two-string language that we present in [21, 17]. However, in order to make this paper self-contained, we explain in this section those aspects of the language that we require in this paper—without repeating the detailed proofs.

2.1. Qudits and Transformations. Let d be the dimension of the single qudit space. We represent qudits by charged strings in the shape of a cap. We generally omit the label for any charge $k_j = 0$. We place our strings in the plane.

Our convention is to place the charge on the left side of a vertical string. Isotopies that reverse this placement are not allowed. However the string-Fourier relation allows one to move a charge label over a cap or under a cup, see (7). One can use this relation to enable isotopies that would otherwise move a label across a string from one side to the other.

We represent the n -qudit basis $|\vec{k}\rangle = |k_1, k_2, \dots, k_n\rangle$ by n charged caps, and these have $2n$ output points:

$$|\vec{k}\rangle = \frac{1}{d^{n/4}} \left(\begin{array}{c} \text{cap } k_1 \\ \text{cap } k_2 \\ \dots \\ \text{cap } k_n \end{array} \right) . \quad (1)$$

By convention, we place the label on the righthand string in each cap.

2.2.4. *The string Fourier relation, for moving charge across a cap or cup.*

$$k \frown = \zeta^{k^2} \frown_k, \quad \text{and} \quad k \smile = \zeta^{-k^2} \smile_k. \quad (7)$$

2.2.5. *Quantum dimension.*

$$\bigcirc = \sqrt{d}. \quad (8)$$

2.2.6. *Neutrality.*

$$k \bigcirc = 0, \quad \text{for } d \nmid k. \quad (9)$$

2.2.7. *Temperley-Lieb relation.*

$$\begin{array}{c} \text{⋈} \\ \text{⋇} \end{array} = \left| \right., \quad \begin{array}{c} \text{⋇} \\ \text{⋈} \end{array} = \left| \right|. \quad (10)$$

Based on the Temperley-Lieb relation, a neutral string only depends on the end points:

$$\begin{array}{c} \text{⋇} \\ \text{⋈} \end{array} = /, \quad \begin{array}{c} \text{⋈} \\ \text{⋇} \end{array} = \backslash. \quad (11)$$

2.2.8. *Resolution of the identity.*

$$\left| \right| = d^{-1/2} \sum_{k=0}^{d-1} \begin{array}{c} \text{⋈} \\ \text{⋇} \end{array} \begin{array}{c} \text{⋇} \\ \text{⋈} \end{array}. \quad (12)$$

2.2.9. *Braid.* We show in Proposition 2.15 of [21] that

$$\omega = \frac{1}{\sqrt{d}} \sum_{j=0}^{d-1} \zeta^{j^2} \text{ satisfies } |\omega| = 1. \quad (13)$$

The positive braid is

$$\begin{aligned} \times &\equiv \frac{1}{\sqrt{\omega d}} \sum_{k=0}^{d-1} k \begin{array}{c} \text{⋈} \\ \text{⋇} \end{array} \begin{array}{c} \text{⋇} \\ \text{⋈} \end{array} \\ &= \frac{1}{\sqrt{\omega d}} \sum_{k=0}^{d-1} \zeta^{k^2} k \begin{array}{c} \text{⋈} \\ \text{⋇} \end{array} \begin{array}{c} \text{⋇} \\ \text{⋈} \end{array}. \end{aligned} \quad (14)$$

2.2.10. *Pauli matrices.* The Pauli matrices X, Y, Z are

$$I = \left| \right|, \quad X = \left| \begin{array}{c} 1 \\ \text{⋈} \\ \text{⋇} \end{array} \right|, \quad Y = \left| \begin{array}{c} -1 \\ \text{⋈} \\ \text{⋇} \end{array} \right|, \quad Z = \left| \begin{array}{c} 1 \\ \text{⋈} \\ \text{⋇} \\ -1 \end{array} \right|. \quad (15)$$

The algebraic interpretation of this resource state is also interesting. Let $|\vec{k}\rangle = |k_1, k_2, \dots, k_n\rangle$ denote an n -qudit state with charges $\vec{k} = (k_1, \dots, k_n)$. Also let $|\vec{k}| = \sum_{j=1}^n k_j \in \mathbb{Z}_d$ denote the total charge. We have shown that

$$|\text{GHZ}\rangle = d^{-\frac{1}{2}} \sum_{k=0}^{d-1} |k, k, \dots, k\rangle, \quad \text{while} \quad |\text{Max}\rangle = d^{\frac{1-n}{2}} \sum_{|\vec{k}|=0} |k_1, k_2, \dots, k_n\rangle. \quad (23)$$

In fact these two resource states are related by the local operation of the quantum Fourier transform,

$$|\text{GHZ}\rangle = (F \otimes \dots \otimes F)|\text{Max}\rangle, \quad (24)$$

where F denotes the 1-qudit quantum Fourier transform defined in (18).

3. TELEPORTATION

One could say that the modern theory of quantum communication networks began in 1993 with the teleportation protocol discovered by Bennett, Brassard, Crépeau, Jozsa, Peres, and Wootters [27]. This protocol allows one to disassemble a quantum state located at Alice's location, and to reconstruct it at Bob's location. In order for the reconstruction to succeed, Alice and Bob prearrange to share a specific entangled state, which is utilized as a resource for the protocol. In addition, they share some purely classical information.

Preskill, Gottesman, and Chuang described the notion of quantum software for solving problems in quantum computation and quantum communication [28, 29]. Recently, Pirandola and Braunstein cite teleportation as the “most promising mechanism for a future quantum internet” [30]. One can realize quantum networks through bidirectional quantum teleportation (BQST). Experimental work on long-distance teleportation has been achieved [31, 32, 33]. The *Quantum Science Satellite* built by Pan and his coworkers provides an opportunity to test teleportation at record-breaking distances [34, 35].

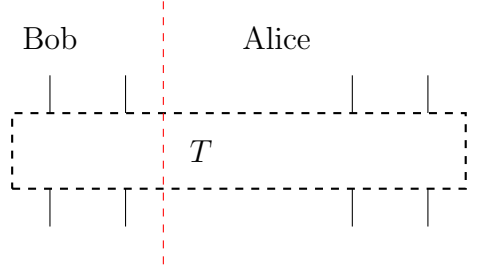
4. TOPOLOGICAL COMPRESSION: INFORMAL DISCUSSION

A fundamental concept that we introduce in this paper is a *topologically-compressed transformation*. Our notion of topological compression becomes transparent in terms of the two-string model for quantum information. One can visualize compression of a transformation in terms of the diagrams that describe it. Topological compression is compatible with use of our multipartite resource state $|\text{Max}\rangle$ illustrated in (22).

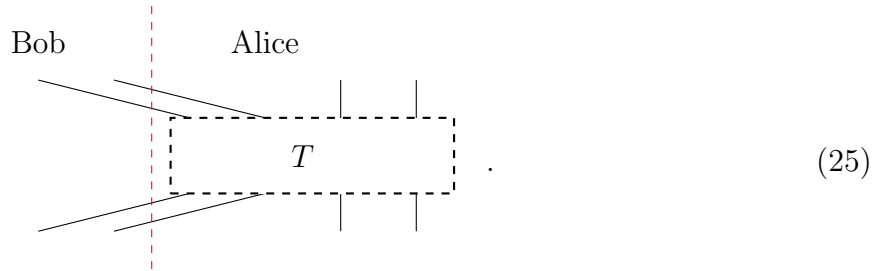
Basically, the information for a compressed transformation on a qudit is carried by one of two strings. For transformations on a single qudit, the Pauli matrices X, Y in the representation (15) are compressed. But Pauli Z is unitarily equivalent to Pauli X , so it too is compressed. Let us explain this in terms of a more general example.

Suppose that Alice and Bob are at separate locations and want to implement a non-local, two-qudit transformation T . The topological simulation of that goal is given by the following

diagram:



If one applies a topological isotopy, one can move the red line so the transformation is performed completely by Alice. This is the solution, and its topological simulation is



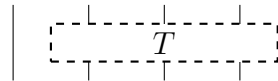
This topological isotopy does not change the function of the diagram, but does change its interpretation in quantum information. After isotopy, the diagram means that Bob can teleport his input to Alice; then Alice can implement the transformation T locally on her computer and teleport the result back to Bob using BQST.

It is well-known that the cost of teleportation for a general transformation is two resource states. Recall that one resource state allows two strings to pass across the red dashed line, as explained for the Bell state in (16). Thus one has an indication from (25) that the cost of teleportation can be estimated by counting the number of strings that pass over the red dashed line.

However Zhou et al. and Eisert et al. pointed out that the cost of BQST may not be optimal. For certain transformations, including CNOT, they gave a teleportation protocol with lower cost [36, 37]. This optimization has been further studied in [38], and in [39, 40] one finds extensive references.

So it is natural to ask the question: what transformations can be teleported with less cost, compared with BQST? We now characterize topologically-compressed transformations and show that they have this property. All controlled transformations are topologically compressed.

Following the above discussion, consider any 2-qudit transformation that can be represented by the following diagram:



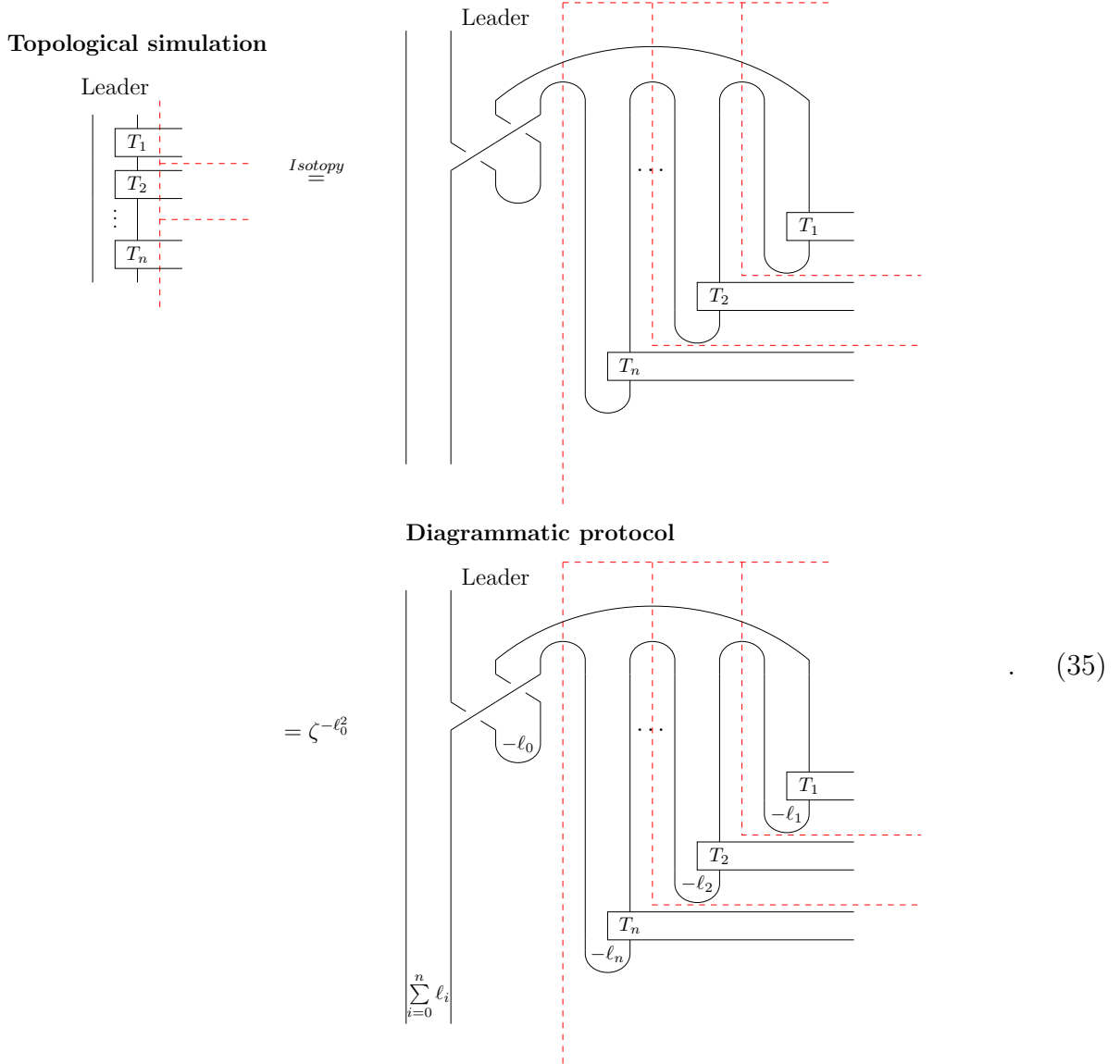
$$\begin{aligned}
 & d^{-\frac{1}{2}} \sum_{k \in \mathbb{Z}_d} \\
 & \begin{array}{c}
 \text{Party 1} \text{ --- } T_1(\ell) \\
 \vdots \\
 \text{Party } n \text{ --- } T_n(\ell) \\
 \vdots \\
 \text{Party } k \text{ --- } X \text{ --- } F^{-1} \text{ --- } \text{Measurement} \\
 \vdots \\
 \text{Party } k \text{ --- } X \text{ --- } F^{-1} \text{ --- } \text{Measurement} \\
 \vdots \\
 \text{Party } k \text{ --- } F^{-1} \text{ --- } \text{Measurement} \\
 \vdots \\
 \text{Leader} \text{ --- } Z \text{ --- } Z
 \end{array} \\
 & = \\
 & \begin{array}{c}
 \text{Party 1} \text{ --- } T_1(\ell) \\
 \vdots \\
 \text{Party } n \text{ --- } T_n(\ell) \\
 \vdots \\
 \text{Leader} \text{ --- } \bullet \text{ --- } \bullet
 \end{array} \tag{34}
 \end{aligned}$$

We specify the MCT in the usual algebraic terminology as a circuit. One can consider CT as a special case for two parties. From this picture, one can understand the protocol without knowing its topological significance. In §7 we derive this protocol from topological simulation.

7. TOPOLOGICAL SIMULATION FOR MCT

We give the MCT diagrammatic protocol for X -compressed transformations. The design of this protocol is equivalent to the design for Z -compressed transformations by applying unitary conjugation.

We summarize the use of topological simulation to design the protocol in Equation (35). Let us call the left-hand side of the identity “Picture 1,” the middle term in the identity “Picture 2,” and the right-hand side of the identity “Picture 3.” Picture 1 represents the simulation of the goal, where the Leader desires to share an X -compressed transformation T_j with the j^{th} party, for $1 \leq j \leq n$.

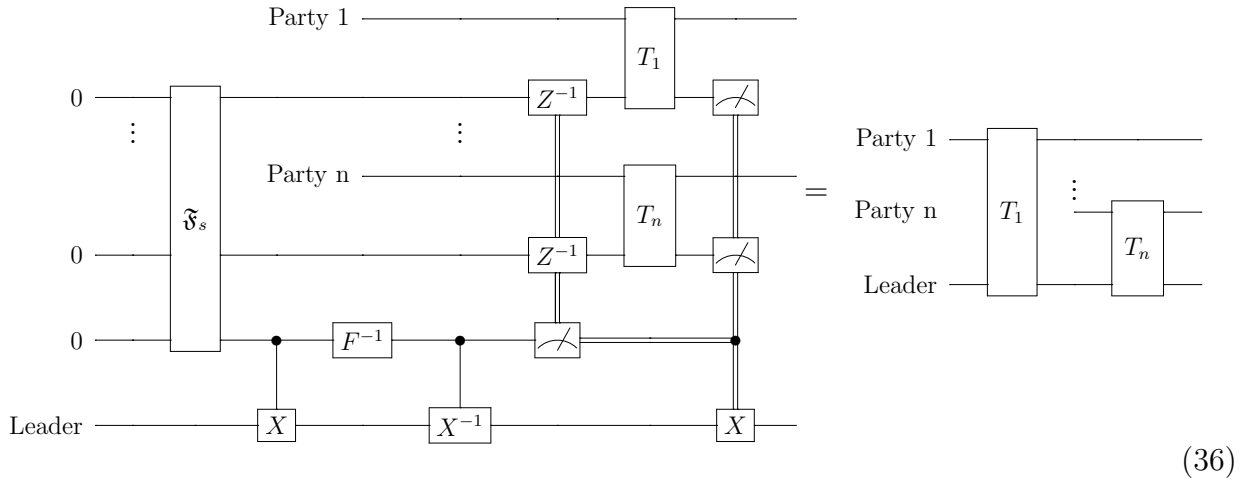


The non-local transformation T_j cannot be implemented directly. We first apply topological isotopy, in a way that isolates each transformation T_j in the region of the j^{th} party. (These regions are separated by the red dashed lines). Then each T_j becomes local. We also move the intersections of the strings and the red dashed lines to the top, so that the non-locality only appears in the state, which turns out to be the resource state. This is how one obtains Picture 2 from Picture 1.

The cups in Picture 2 of Equation (35) represent measurements. We add charges on cups to indicate the results of the measurements. Each resulting charge in a measurement must be balanced by an opposite charge. We add that charge on the corresponding string in the region of the Leader. This may also give a global phase from applying the string Fourier relation (7) for the Leader's charge. These charged strings define measurement-based recovery maps given by Pauli X . Thus we arrive at Picture 3, which is a diagrammatic protocol for MTC. It includes one multipartite resource state $|\text{Max}\rangle$ and LOCC.

We construct the diagrammatic MCT protocol using the 2-string language. From the above topological simulation, we observe that a natural resource state for multipartite communication is $|\text{Max}\rangle$, which we recognize from (22). In fact, $|\text{Max}\rangle$ is unitary equivalent to the usual resource state $|\text{GHZ}\rangle$. The measurement-based recovery map arising from topological design is given by Pauli matrices. This is a general phenomenon in various protocols for communication.

Using the two-string language dictionary in [17], one can translate this diagrammatic protocol to the algebraic circuit given in (36).



Here one simplifies the protocol by the identity in Figure 2.

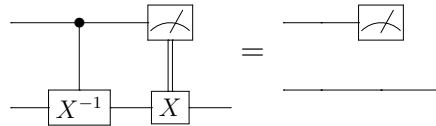


FIGURE 2.

We represent $|\text{Max}\rangle$ as $\mathfrak{F}_s|\vec{0}\rangle$ in Equation (36), where the state $|\vec{0}\rangle = |0, 0, \dots, 0\rangle$ denotes the n -qudit with charge 0 for each 1-qudit, and we call $|\vec{0}\rangle$ the ground state. We mention the extremely interesting transformation \mathfrak{F}_s that appears here, and that we call the *string*

Fourier transform. It is a mechanism to produce the n -qudit resource state $|\text{Max}\rangle$ from the ground state $|\vec{0}\rangle$. We explore \mathfrak{F}_s extensively in [21].

Taking the conjugation of local transformations, we obtain the MCT protocol for other types of compressed transformations. In particular, taking the conjugate of the Fourier transform F , we obtain the MCT protocol for Z -compressed transformations or controlled transformations in (34).

In the case with only two persons, the MCT protocol says: Assume that a quantum network can perform a transformation T , which is compressed on a 1-qudit belonging to a network member Alice. Then Alice can teleport her 1-qudit transformation to Bob using one edit and two cqudits. One can easily derive the entanglement-swapping protocol, and the teleportation of the Toffoli gate from it.

8. CONCLUSION

In this paper we extend our two-string model for quantum information.

- (1) We articulate the concept of constructive simulation and topological design.
- (2) We introduce topological compression and define compressed transformations.
- (3) We define a protocol to teleport compressed transformations.
- (4) Our new protocol costs only one multipartite resource state to implement multiple, non-local transformations between multiple parties. For more than two parties, our multipartite teleportation protocol does not reduce to compositions of bipartite communications.

9. ACKNOWLEDGEMENTS

We are grateful to Jacob Biamonte, Bob Coecke, Michael Freedman, Amar Hadzihasanovic, David Reutter, and Kevin Walker for interesting discussions during an October 2016 workshop at Harvard University, and Jamie Vicary for correspondence. We thank our hosts for hospitality at the Research Institute for Mathematics of the ETH-Zurich, at the Max Planck Institute for Mathematics, and at the Hausdorff Institute for Mathematics in Bonn, where part of this work was carried out. This research was supported in part by a grant from the Templeton Religion Trust.

REFERENCES

- [1] Yu. Manin, *Computable and uncomputable* (book in Russian). Moscow, Sovetskoye Radio, 1980.
- [2] R. Feynman, Simulating physics with computers, *International Journal of Theoretical Physics* **21**, (1982), Issue 6, 467–488, [doi:10.1007/BF02650179](https://doi.org/10.1007/BF02650179).
- [3] Yu. Manin, Classical computing, quantum computing, and Shor’s factoring algorithm, *Séminaire Bourbaki*, no. 862 (June 1999), *Astérisque*, vol 266, (2000), 375–404, <https://arxiv.org/abs/quant-ph/9903008>.
- [4] A. Kitaev, Fault-tolerant quantum computation by anyons, *Ann. Phys.* **303** (2003), 2–30, <https://arxiv.org/abs/quant-ph/9707021>, [10.1016/S0003-4916\(02\)00018-0](https://doi.org/10.1016/S0003-4916(02)00018-0).

- [5] M. H. Freedman, A. Kitaev, M. J. Larsen, and Z. Wang, Topological quantum computation, *Bulletin of the American Mathematical Society* Volume 40, Number 1, (2002), 31–38, <http://dx.doi.org/10.1090/S0273-0979-02-00964-3>.
- [6] M. Levin and X.-G. Wen String-net condensation: A physical mechanism for topological phases, *Phys. Rev. B* **71** (2005) 045110. doi:10.1103/PhysRevB.71.045110.
- [7] W. Dür, G. Vidal, and J. I. Cirac, Three qubits can be entangled in two inequivalent ways, *Phys. Rev. A* **62**, 062314 (2000), <http://journals.aps.org/prabstract/10.1103/PhysRevA.62.062314>.
- [8] S. Abramsky and B. Coecke, A categorical semantics of quantum protocols, *Logic in Computer Science, 2004. Proceedings of the 19th Annual IEEE Symposium* IEEE (2004).
- [9] B. Coecke and R. Duncan, Interacting quantum observables: categorical algebra and diagrammatics, *New Journal of Physics*, **13**(4) 043016 (2011), <http://dx.doi.org/10.1088/1367-2630/13/4/043016>.
- [10] B. Coecke and A. Kissinger, Picturing quantum processes: A first course in quantum theory and diagrammatic reasoning, Cambridge University Press, to appear 2017, ISBN:9781107104228.
- [11] V. Bergholm and J. Biamonte, Categorical quantum circuits, *J. Phys A: Math. Theor.* **44** 245304 (2011), <https://arxiv.org/abs/1010.4840>.
- [12] S. J. Denny J. D. Biamonte, D. Jaksch, and S. R. Clark Algebraically contractible topological tensor network states, *J. Phys. A: Math. Theor.* **45** 015309 (2012), <https://arxiv.org/abs/1108.0888>.
- [13] J. S. Kim, G. Gour, and B. C Sanders, Limitations to sharing entanglement, *Contemporary Physics* **53:5**, (2012) 417–432, <http://dx.doi.org/10.1080/00107514.2012.725560>.
- [14] M. K. Backens, Completeness and the ZX-calculus, Thesis, Oxford University, <https://arxiv.org/abs/1602.08954>.
- [15] J. Vicary, Higher quantum theory, <https://arxiv.org/abs/1207.4563>.
- [16] D. Reutter and J. Vicary, Biunitary constructions in quantum information, <https://arxiv.org/abs/1609.07775>.
- [17] A. M. Jaffe, Z. Liu, and A. Wozniakowski, Holographic software for quantum networks, preprint, <http://arxiv.org/abs/1605.00127>.
- [18] D. M. Greenberger, M. A. Horne, and A. Zeilinger, Going beyond Bell’s theorem, <http://arxiv.org/abs/0712.0921> in *Bell’s theorem, quantum theory, and conceptions of the universe*, M. Kafakos, editor, Vol. 37 of “Fundamental Theories of Physics,” Springer Verlag, Heidelberg (1989), doi:10.1007/978-94-017-0849-4.
- [19] P. Shor, Algorithms for quantum computation: discrete logarithms and factoring, *Foundations of Computer Science, 1994 Proceedings, 35th Annual IEEE Symposium*, doi:10.1109/SFCS.1994.365700.
- [20] A. M. Lance, T. Symul, W. P. Bowen, B. C. Sanders, and P. K. Lam, Tripartite quantum state sharing. *Phys. Rev. Lett.* **92** 177903 (2004), <http://journals.aps.org/prl/abstract/10.1103/PhysRevLett.92.177903>.
- [21] A. M. Jaffe and Z. Liu, Planar para algebras, reflection positivity, *Commun. Math. Phys.*, to appear, <http://arxiv.org/abs/1602.02662>, doi:10.1007/s00220-016-2779-4.
- [22] J. J. Wallman and S. T. Flammia, Randomized benchmarking with confidence, *New Journal of Phys.*, **16** 103032 (2014), <http://iopscience.iop.org/article/10.1088/1367-2630/16/10/103032/meta>, Corrigendum: <http://iopscience.iop.org/article/10.1088/1367-2630/18/7/079501/pdf>.
- [23] J. Helsen, J. J. Wallman, and S. Wehner, Representations of the multi-qubit Clifford group, <http://arxiv.org/abs/1609.08188>.
- [24] J.-W. Pan, Z.-B. Chen, C.-Y. Lu, H. Weinfurter, A. Zeilinger, Multiphoton entanglement and interferometry, *Rev. Mod. Phys.* **84**, (2012) 777, doi:10.1103/RevModPhys.84.777.
- [25] C. Erven, E. Meyer-Scott, K. Fisher, J. Lavoie, B.L. Higgins, Z. Yan, C.J. Pugh, J.-P. Bourgoin, R. Prevedel, L.K. Shalm, L. Richards, N. Gigo, R. Laflamme, G. Weihs, T. Jennewein, and K.J. Resch, Experimental three-photon quantum nonlocality under strict locality conditions, *Nature Photonics* **8**(4) (2014), 292–296, doi:10.1038/nphoton.2014.50.

- [26] X.-L. Wang, L.-K. Chen, W. Li, H.-L. Huang, C. Liu, C. Chen, Y.-H. Luo, Z.-E. Su, D. Wu, Z.-D. Li, H. Lu, Y. Hu, X. Jiang, C.-Z. Peng, L. Li, N.-L. Liu, Y.-A. Chen, C.-Y. Lu, and J.-W. Pan, Experimental ten-photon entanglement, <https://arxiv.org/abs/1605.08547>.
- [27] C. H. Bennett, G. Brassard, C. Crépeau, R. Jozsa, A. Peres, and W. K. Wootters, Teleporting an unknown quantum state via dual classical and Einstein-Podolsky-Rosen channels, *Phys. Rev. Lett.* **70**, (1993) 1895, [doi:10.1103/PhysRevLett.70.1895](https://doi.org/10.1103/PhysRevLett.70.1895).
- [28] J. Preskill, Plug-in quantum software, *Nature* **402** (1999) 357–358, [doi:10.1038/46434](https://doi.org/10.1038/46434).
- [29] D. Gottesman and I. L. Chuang, Demonstrating the viability of universal quantum computation using teleportation and single-qubit operations, *Nature* **402**, (1999) 390–393, [doi:10.1038/46503](https://doi.org/10.1038/46503).
- [30] S. Pirandola and S. L. Braunstein, Physics: Unite to build a quantum internet, *Nature* **532**, (2016) 169–171, [doi:10.1038/532169a](https://doi.org/10.1038/532169a).
- [31] J. Yin, J.-G. Ren, H. Lu, Y. Cao, H.-L. Yong, Y.-P. Wu, C. Liu, S.-K. Liao, F. Zhou, Y. Jiang, X.-D. Cai, P. Xu, G.-S. Pan, J.-J. Jia, Y.-M. Huang, H. Yin, J.-Y. Wang, Y.-A. Chen, C.-Z. Peng, and J.-W. Pan, Quantum teleportation and entanglement distribution over 100-kilometre free-space channels, *Nature* **488**, (2012) 185–188, [doi:10.1038/nature11332](https://doi.org/10.1038/nature11332).
- [32] X.-S. Ma, T. Herbst, T. Scheidl, D. Wang, S. Kropatschek, W. Naylor, B. Wittmann, A. Mech, J. Kofler, E. Anisimova, V. Makarov, T. Jennewein, R. Ursin, and A. Zeilinger, Quantum teleportation over 143 kilometres using active feed-forward, *Nature* **489**, (2012) 269–273, [doi:10.1038/nature11472](https://doi.org/10.1038/nature11472).
- [33] R. Valivarthi, M.G. Puigibert, Q. Zhou, G.H. Aguilar, V.B. Verma, F. Marsili, M.D. Shaw, S.W. Nam, D. Oblak, and W. Tittel, Quantum teleportation across a metropolitan fibre network *Nature Photonics* **10**, (2016) 676–680, [doi:10.1038/nphoton.2016.180](https://doi.org/10.1038/nphoton.2016.180).
- [34] J.-W. Pan, Quantum science satellite, *Chin. J. Space Sci.* **34** (2014), 547–549, [doi:10.11728/cjss2014.05.547](https://doi.org/10.11728/cjss2014.05.547).
- [35] C. Biever, China’s quantum space pioneer: We need to explore the unknown, *Nature*, [doi:10.1038/nature.2016.19166](https://doi.org/10.1038/nature.2016.19166).
- [36] X. Zhou, D. W. Leung, and I. L. Chuang, Methodology for quantum logic gate construction, *Phys. Rev. A* **62**, (2000) 052316, [doi:10.1103/PhysRevA.62.052316](https://doi.org/10.1103/PhysRevA.62.052316).
- [37] J. Eisert, K. Jacobs, P. Papadopoulos, and M. B. Plenio, Optimal local implementation of nonlocal quantum gates, *Phys. Rev. A* **62**, (2000) 052317, [doi:10.1103/PhysRevA.62.052317](https://doi.org/10.1103/PhysRevA.62.052317).
- [38] L. Yu, R. B. Griffiths, and S. M. Cohen, Efficient implementation of bipartite nonlocal unitary gates using prior entanglement and classical communication, *Phys. Rev. A* **81**, (2010) 062315, [doi:10.1103/PhysRevA.81.062315](https://doi.org/10.1103/PhysRevA.81.062315).
- [39] S. Pirandola, J. Eisert, C. Weedbrook, A. Furusawa, and S. L. Braunstein, Advances in quantum teleportation, *Nature Photonics*, **9**(10), (2015) 641–652, [doi:10.1038/nphoton.2015.154](https://doi.org/10.1038/nphoton.2015.154).
- [40] L. Yu and K. Nemoto, Implementation of bipartite or remote unitary gates with repeater nodes, <http://arxiv.org/abs/1602.04592>.

HARVARD UNIVERSITY, CAMBRIDGE, MA 02138, USA, AND MAX PLANCK INSTITUTE FOR MATHEMATICS, BONN, GERMANY

E-mail address: arthur_jaffe@harvard.edu

HARVARD UNIVERSITY, CAMBRIDGE, MA 02138, USA

E-mail address: zhengweiliu@fas.harvard.edu

HARVARD UNIVERSITY, CAMBRIDGE, MA 02138, USA

E-mail address: airwozz@gmail.com