

INITIAL IDEALS OF PFAFFIAN IDEALS

COLBY LONG

ABSTRACT. We resolve a conjecture about a class of binomial initial ideals of $I_{2,n}$, the ideal of the Grassmannian, $\text{Gr}(2, \mathbb{C}^n)$, which are associated to phylogenetic trees. For a weight vector ω in the tropical Grassmannian, $\text{in}_\omega(I_{2,n}) = J_{\mathcal{T}}$ is the ideal associated to the tree \mathcal{T} . The ideal generated by the $2r \times 2r$ subpfaffians of a generic $n \times n$ skew-symmetric matrix is precisely $I_{2,n}^{\{r-1\}}$, the $(r-1)$ -secant of $I_{2,n}$. We prove necessary and sufficient conditions on the topology of \mathcal{T} in order for $\text{in}_\omega(I_{2,n})^{\{2\}} = J_{\mathcal{T}}^{\{2\}}$. We also give a new class of prime initial ideals of the Pfaffian ideals.

1. INTRODUCTION

The r -secant variety of a projective variety $X \subseteq \mathbb{P}^{m-1}$ is $X^{\{r\}} := \overline{\{x_1 + \dots + x_r : x_i \in X\}}$, where the closure is taken in the Zariski topology. Similarly, we define the r -secant ideal of a homogenous ideal, $I(X)^{\{r\}} := I(X^{\{r\}})$. Secant varieties and ideals are classic objects of study in algebraic geometry. They are also of statistical interest as the sets of distributions associated to many statistical models exhibit the structure of secant varieties [3, 2, 15]. Another common operation on ideals is to take an *initial ideal* with respect to some weight vector. An initial ideal shares many properties of the original ideal but is often more easily studied combinatorially.

In [14], the authors explore the relationship between the secant ideal of an initial ideal and the initial ideal of a secant ideal. In particular, they explore under what conditions these operations commute. In this paper, we investigate the relationship between secant ideals of initial ideals and initial ideals of secant ideals for a class of ideals in bijection with binary leaf-labeled trees which we call the *Plücker tree ideals*.

The Plücker tree ideals are so named because they can be constructed as initial ideals of the Plücker ideal, $I_{2,n}$, which is the vanishing ideal of the Grassmannian, $\text{Gr}(2, \mathbb{C}^n)$, in the Plücker coordinates. The secant ideals of the Plücker tree ideals are then initial ideals of the well-known Pfaffian ideals. We let $J_{\mathcal{T}}$ denote the Plücker tree ideal associated to \mathcal{T} . These ideals are discussed in [12] where the following theorem is proven.

Theorem 1.1. [12] *Let \mathcal{T} be a binary phylogenetic $[n]$ -tree. There exists a weight vector $\omega \in \mathbb{R}^{\binom{n}{2}}$ and a sign vector $\tau \in \{\pm 1\}^{\binom{n}{2}}$ such that $J_{\mathcal{T}} = \tau \cdot \text{in}_\omega(I_{2,n})$, where the sign vector multiplies coordinate p_{ij} by τ_{ij} .*

They also appear in [15] which discusses how these ideals and their secants are connected to Gaussian graphical models and concludes with the following conjecture.

Conjecture 1.2. [15, Conjecture 7.10] *Let \mathcal{T} be a binary phylogenetic $[n]$ -tree, $\omega \in \mathbb{R}^{\binom{n}{2}}$ a weight vector, and $\tau \in \{\pm 1\}^{\binom{n}{2}}$ a sign vector such that $J_{\mathcal{T}} = \tau \cdot \text{in}_\omega(I_{2,n})$, then $\tau \cdot \text{in}_\omega(I_{2,n}^{\{r\}}) = J_{\mathcal{T}}^{\{r\}}$.*

We show that this conjecture is not true for any r . In the case where $r = 2$, we also prove the following theorem giving necessary and sufficient conditions on the topology of \mathcal{T} for the conjecture to hold. In the course of doing so, we also furnish a new class of prime initial ideals of the Pfaffian ideals.

Theorem 1.3. *Let \mathcal{T} be a binary phylogenetic $[n]$ -tree, $\omega \in \mathbb{R}^{\binom{n}{2}}$ a weight vector, and $\tau \in \{\pm 1\}^{\binom{n}{2}}$ a sign vector such that $\tau \cdot \text{in}_\omega(I_{2,n}) = J_{\mathcal{T}}$, then $\tau \cdot \text{in}_\omega(I_{2,n}^{\{2\}}) = J_{\mathcal{T}}^{\{2\}}$ if and only if \mathcal{T} has fewer than five cherries.*

That Conjecture 1.2 holds in any instance is perhaps somewhat unexpected as it was shown in [14] that the operations of taking initial ideals and taking secant ideals do not in general commute even when the initial ideals are monomial. This has possible implications for phylogenetics as there is a close similarity between Conjecture 1.2 and [7, Conjecture 4.1.1]. The latter concerns initial ideals of secant ideals associated to binary leaf-labeled trees under the Cavender-Farris-Neyman (CFN) model. There is also a close relationship between the ideals involved as $J_{\mathcal{T}}$ can be viewed as the intersection of the ideal for the CFN model on the tree \mathcal{T} with a coordinate subring.

The rest of this paper is devoted to proving Theorem 1.3 and investigating possible extensions. Section 2 establishes the necessary background and notation for the Plücker tree ideals and the Pfaffian ideals. We conclude the section with a few results about initial ideals of Pfaffian ideals and outline the technique that we will use to prove Theorem 1.3. We show that to prove the theorem we need to show that a certain class of initial ideals of the Pfaffian ideals are prime and to construct lower bounds on the dimension of the secants of the Plücker tree ideals. Sections 3 and 4 establish the primeness and dimension results respectively and enable us to give a short proof of the main theorem. Finally, in Section 5 we examine some of the possible extensions of Conjecture 1.2 for higher order secant varieties.

2. PLÜCKER TREE IDEALS

A *binary tree* is a connected acyclic graph in which every vertex is either degree one or three. We call a degree one vertex of a binary tree \mathcal{T} a *leaf*. If the leaves of \mathcal{T} are labeled by a label set X then \mathcal{T} is a *binary phylogenetic X -tree*. Most often in this paper we will consider binary phylogenetic $[n]$ -trees where $[n] := \{1, \dots, n\}$. Our terminology and notation for trees will follow the conventions from phylogenetics found in [11] and we refer the reader there for more details.

For what follows it will be useful to have a standard planar embedding of our trees. If \mathcal{T} is a binary phylogenetic $[n]$ -tree then inscribe a regular n -gon on the unit circle in \mathbb{R}^2 and choose a planar representation of \mathcal{T} so that the leaves are located at the vertices of the n -gon. Label the leaves of \mathcal{T} in increasing order clockwise around the circle. The induced 4-leaf subtrees of a tree are called quartets and a tree is uniquely determined by its quartets [11]. With a circular embedding of \mathcal{T} as described, every induced quartet on the leaves $1 \leq i < j < k < l \leq n$ is either $ij|kl$ or $il|jk$. The notation $ij|kl$ indicates that the induced quartet is the 4-leaf tree with one non-leaf edge whose removal disconnects the leaves labeled by i and j from those labeled by k and l .

For trees with such a circular embedding the vector τ in Conjecture 1.2 and Theorem 1.3 is equal to the all ones vector. Thus, for the rest of this chapter we will consider only trees embedded in this manner so that we can ignore the sign vector entirely. The tree pictured in Example 3.4 is a binary phylogenetic [15]-tree .

Let $Z^n = \mathbb{C}[p_{ij} : 1 \leq i < j \leq n]$ and

$$I_{2,n} = \langle p_{ij}p_{kl} - p_{ik}p_{jl} + p_{il}p_{jk} : 1 \leq i < j < k < l \leq n \rangle \subseteq Z^n$$

be the the ideal of quadratic Plücker relations. Let \mathcal{T} be a binary phylogenetic $[n]$ -tree and assign positive lengths to the edges of \mathcal{T} . The choice of edge lengths naturally induces a metric d on the leaves of \mathcal{T} where $d(i, j)$ is the length of the unique path between i and j . Let $\omega \in \mathbb{R}^{\binom{n}{2}}$ be the vector with $\omega_{ij} = d(i, j)$ for $i < j$. Then the initial ideal with respect to this weight vector is

$$\text{in}_\omega(I_{2,n}) = \langle p_{ik}p_{jl} - p_{il}p_{jk} : ij|kl \text{ is a quartet of } \mathcal{T} \rangle$$

[12, Corollary 4.4]. We call $J_{\mathcal{T}} = in_{\omega}(I_{2,n})$ the *Plücker tree ideal* of \mathcal{T} . Note that any choice of positive edge lengths for \mathcal{T} yields the same initial ideal.

Corollary 4.4 from [12] also gives us a way to realize $J_{\mathcal{T}}$ as the kernel of a homomorphism. Let $\mathbb{C}[y] = \mathbb{C}[y_e : e \text{ is an edge of } \mathcal{T}]$ and $\phi_{\mathcal{T}} : Z^n \rightarrow \mathbb{C}[y]$ be the homomorphism that sends p_{ij} to the product of all of the parameters y_e corresponding to edges on the unique path from i to j . Then $J_{\mathcal{T}}$ is the toric ideal $\ker(\phi_{\mathcal{T}})$.

2.1. Initial Ideals of Pfaffian Ideals. The determinant of a generic $2r \times 2r$ skew-symmetric matrix is the square of a polynomial called the Pfaffian of the matrix. Let $P(n, r)$ be the ideal generated by the $2r \times 2r$ subpfaffians of a generic $n \times n$ skew-symmetric matrix $P = (p_{ij})$. Each $2r \times 2r$ Pfaffian equation corresponds to a $2r$ -element set $K \subseteq [n] := \{1, \dots, n\}$. The terms appearing in each Pfaffian are then in bijection with perfect matchings on the set K . The Pfaffian ideal $P(n, r)$ is the $(r-1)$ -secant of the Plücker ideal, that is $P(n, r) = I_{2,n}^{\{r-1\}}$. This result, as well as background and examples for the Pfaffian ideals, can be found in [10]. In this section, we will collect a number of facts about the Pfaffian ideals which will be useful for proving the results that follow.

Definition 2.1. Let p be the $2r \times 2r$ Pfaffian equation corresponding to perfect matchings on the set $\{i_1, \dots, i_{2r}\}$ with $i_1 < \dots < i_{2r}$. The *crossing monomial* of p is the monomial $p_{i_1, i_{r+1}} p_{i_2, i_{r+2}} \cdots p_{i_r, i_{2r}}$.

Theorem 2.2. [4, Theorem 2.1] *There exists a term order \prec_{circ} on Z^n that selects the crossing monomial as the lead term of the Pfaffian equations. Furthermore, the $2r \times 2r$ Pfaffians form a Gröbner basis for $I_{2,n}^{\{r-1\}}$ with respect to this term order and*

$$in_{\prec_{\text{circ}}}(I_{2,n}^{\{r-1\}}) = \langle p_{i_1, i_{r+1}} p_{i_2, i_{r+2}} \cdots p_{i_r, i_{2r}} : 1 \leq i_1 < i_2 < \dots < i_{2r} \leq n \rangle.$$

We also have the following corollary.

Corollary 2.3. *Let \mathcal{T} be a binary phylogenetic $[n]$ -tree and ω a term order for Z^n derived from \mathcal{T} as above. Then the initial forms of the $2r \times 2r$ Pfaffians with respect to ω form a Gröbner basis for $in_{\omega}(I_{2,n}^{\{r-1\}})$ with respect to \prec_{circ} and hence generate $in_{\omega}(I_{2,n}^{\{r-1\}})$.*

Proof. Since all of our trees are circularly embedded, for $1 \leq i < j < k < l \leq n$, the ω -weight of $p_{ik}p_{jl}$, $\omega(p_{ik}p_{jl})$, is greater than or equal to that of both $p_{ij}p_{kl}$ and $p_{il}p_{jk}$. Therefore, if we let p be the $2r \times 2r$ Pfaffian equation with monomials corresponding to perfect matchings of the set $\{i_1, \dots, i_{2r}\}$ with $1 \leq i_1 < i_2 < \dots < i_{2r} \leq n$, then $in_{\omega}(p)$ contains the term $p_{i_1, i_{r+2}} p_{i_2, i_{r+3}} \cdots p_{i_{r+1}, i_{2r}}$. Thus, the term order \prec_{circ} refines the weight vector ω [12]. The result follows from [13, Corollary 1.9]. \square

2.2. Outline of the Proof of Theorem 1.3. It was established in [14] that for any term order, the initial ideal of a secant ideal is contained inside the secant of the initial ideal. Therefore, if \mathcal{T} is a binary phylogenetic $[n]$ -tree and ω is constructed from \mathcal{T} as above we have the inclusion

$$in_{\omega}(I_{2,n}^{\{2\}}) \subseteq (in_{\omega}(I_{2,n}))^{\{2\}} = J_{\mathcal{T}}^{\{2\}}.$$

If a prime ideal is contained in another ideal of the same dimension then the two ideals must be equal. Therefore, we can prove equality above if we can show that the ideal $in_{\omega}(I_{2,n}^{\{2\}})$ is prime and that $\dim(J_{\mathcal{T}}^{\{2\}}) = \dim(in_{\omega}(I_{2,n}^{\{2\}}))$. Because of the containment, it will actually suffice to show that $\dim(J_{\mathcal{T}}^{\{2\}}) \geq \dim(in_{\omega}(I_{2,n}^{\{2\}}))$. This will be our approach for proving Theorem 1.3. In Section 3, we address the issue of primeness by using elimination theory and induction. In Section 4, we use the tropical secant dimension approach of [1] to establish the dimension results.

3. PRIME INITIAL IDEALS OF THE PFAFFIAN IDEALS

The first part of our proof of Theorem 1.3 requires showing that for a weight vector constructed from a circularly embedded binary phylogenetic $[n]$ -tree, $in_\omega(I_{2,n}^{\{2\}})$ is prime. In fact, we obtain the much stronger result below giving an entire class of prime initial ideals for the Pfaffian ideals.

Theorem 3.1. *Let ω be a weight vector constructed from a circular embedding of a binary phylogenetic $[n]$ -tree \mathcal{T} . Then for all $r, n \in \mathbb{N}$, $in_\omega(I_{2,n}^{\{r\}})$ is a prime ideal.*

We will prove Theorem 3.1 by utilizing induction and Lemma 3.2.

Lemma 3.2. [3, Proposition 23] *Let \mathbb{K} be a field and $J \subseteq \mathbb{K}$ be an ideal containing a polynomial $f = gx_1 + h$ with g, h not involving x_1 and g not a zero divisor modulo J . Let $J_1 = J \cap \mathbb{K}[x_2, \dots, x_n]$ be the elimination ideal. Then J is prime if and only if J_1 is prime.*

Before we begin, will first need to prove the following two lemmas that ensure the existence of polynomials in $in_\omega(I_{2,n}^{\{r\}})$ satisfying the conditions of Lemma 3.2.

Lemma 3.3. *Let \mathcal{T} be a binary phylogenetic $[n+1]$ -tree and ω a weight vector constructed from \mathcal{T} . If $n \geq 2r+1$, then for $2r < j \leq n$, there exists a polynomial in $in_\omega(I_{2,n+1}^{\{r\}})$ in which $p_{j,n+1}$ occurs linearly.*

Proof. Proving this lemma requires choosing a particular circular planar embedding of the tree \mathcal{T} which we now describe.

Case 1: There exists a split $A|B$ in \mathcal{T} such that $\#A = r+1$.

Choose such a split and circularly label the leaves in A clockwise by the labels $\{n+1, 1, 2, \dots, r\}$ and then complete the circular labeling of \mathcal{T} . Now consider the $(2r+2) \times (2r+2)$ Pfaffian equation $p \in I_{2,n+1}^{\{r\}}$ that is the sum of monomials corresponding to perfect matchings on the set $\{1, 2, \dots, 2r, j, n+1\}$ with $2r < j \leq n$. As in Corollary 2.3, the monomial

$$p_{1,r+2}p_{2,r+3} \cdots p_{r-1,2r}p_{r,j}p_{r+1,n+1}$$

appears in $in_\omega(p)$. The restriction of \mathcal{T} to the labels $\{r, r+1, j, n+1\}$, $\mathcal{T}_{|\{r,r+1,j,n+1\}}$, is the 4-leaf tree with nontrivial split $r(n+1)|(r+1)j$. Therefore, $\omega(p_{r,j}p_{r+1,n+1}) = \omega(p_{r,r+1}p_{j,n+1})$. Therefore, $in_\omega(p)$ also contains the monomial

$$p_{1,r+2}p_{2,r+3} \cdots p_{r-1,2r}p_{r,r+1}p_{j,n+1}$$

of equal ω weight, and so $p_{j,n+1}$ occurs linearly in $I_{2,n+1}^{\{r\}}$.

Case 2: There does not exist a split $A|B$ in \mathcal{T} such that $\#A = r+1$.

Since \mathcal{T} is binary, there exists a split $A|B$ such that $r+1 < \#A \leq 2r$. Choose such a split with $\#A$ as small as possible. Consider $\mathcal{T}_{|A}$ as a rooted tree and starting on the side of the root with the greater number of leaves (if one exists), circularly label the leaves by $\{n+1, 1, 2, \dots, r, r+1, \dots, \#A-1\}$. Complete the labeling to a circular labeling of \mathcal{T} . Choosing either of the edges adjacent to the root in $\mathcal{T}_{|A}$ induces the split $(n+1)123 \dots k|(k+1) \dots (\#A-1)$ in $\mathcal{T}_{|A}$. Notice also that $k < r$. Otherwise, either the set $\{(n+1), 1, 2, 3, \dots, k\}$ labels a split of \mathcal{T} with exactly $r+1$ leaves, which we assumed was not true, or it labels a split with between $r+1$ and $2r$ leaves, contradicting that A was chosen so that $\#A$ was as small as possible.

As before, for $2r < j \leq n$, consider the Pfaffian generator that is the sum of monomials corresponding to perfect matchings on the set $\{1, \dots, 2r, j, n+1\}$. Then $in_\omega(p)$ contains the monomial $\mathbf{m} = p_{1,r+2}p_{2,r+3} \cdots p_{r-1,2r}p_{r,j}p_{r+1,n+1}$. The monomial $p_{k,(k+r+1)}p_{(r+1),(n+1)}$ divides \mathbf{m} and we know that $\omega(p_{k,(r+1)}p_{(k+r+1),(n+1)}) = \omega(p_{k,(k+r+1)}p_{(r+1),(n+1)})$ since removing the edge of $\mathcal{T}_{|A}$ adjacent to the root on the side labeled by leaves $\{(n+1), 1, 2, \dots, k\}$ induces the

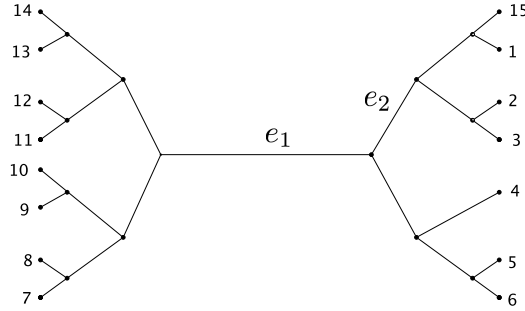
quartet $(n+1)k|(r+1)(k+r+1)$. Therefore, we can replace $p_{k,(k+r+1)}p_{(r+1),(n+1)}$ in \mathbf{m} by the equal weight term $p_{k,(r+1)}p_{(k+r+1),(n+1)}$ to produce a monomial \mathbf{m}' of $in_\omega(p)$.

Notice that now $p_{r,j}p_{(k+r+1),(n+1)}|\mathbf{m}'$. Since $k \geq (\#A)/2 - 1$ and $r \geq (\#A)/2$, it must be that $k+r+1 \geq \#A$. Therefore, the edge that splits $A|B$ in \mathcal{T} also splits $r(n+1)|j(k+r+1)$, since the leaves in A are labeled by $\{n+1, 1, 2, \dots, r, r+1, \dots, \#A-1\}$. So we can replace $p_{r,j}p_{(k+r+1),(n+1)}$ in \mathbf{m}' with $p_{r,(k+r+1)}p_{j,(n+1)}$ to produce another monomial of $in_\omega(p)$. Thus, $p_{j,n+1}$ occurs linearly in $in_\omega(p)$. \square

A particular labeling constructed from Case 2 of the previous lemma is demonstrated in the following example.

Example 3.4. Let \mathcal{T} be the tree pictured so that $(n+1) = 15$ and let $r = 4$. Choose ω to be any weight vector constructed from \mathcal{T} . To apply the construction in Case 1 of Lemma 3.3, we would need to find an edge in \mathcal{T} that induces a split with exactly 5 leaves on one side. Since no such edge exists, we must find a split so that $6 \leq \#A \leq 8$. Moreover, we must choose A as small as possible. Removing the edge e_1 in this tree induces the correct split with $\#A = 7$.

Viewed as a rooted tree, $\mathcal{T}|_A$ has four leaves on one side of the root and three on the other. As per the lemma, we begin labeling on the side with 4 leaves. In this example, $k = 3$ and $(k+r+1) = 8$.



The variable $p_{j,n+1}$ occurs linearly in $in_\omega(I_{2,15}^{\{4\}})$ for any $8 < j \leq 14$, but for the purposes of this example we will illustrate with $j = 14$. The crossing term of the Pfaffian equation on the set $\{1, 2, 3, 4, 5, 6, 7, 8, 14, 15\}$ is

$$p_{1,6}p_{2,7}p_{3,8}p_{4,14}p_{5,15}.$$

Removing the edge e_2 splits $\{3, 15\}$ from $\{5, 8\}$. Therefore, the Pfaffian equation includes the monomial of equal weight

$$p_{1,6}p_{2,7}p_{3,5}p_{4,14}p_{8,15}.$$

Finally, removing e_1 splits $\{8, 14\}$ from $\{4, 15\}$. Thus, the monomial

$$p_{1,6}p_{2,7}p_{3,5}p_{4,8}p_{14,15}$$

is also of equal weight and so $p_{14,15}$ occurs linearly in this equation.

Lemma 3.5. *If $n \geq 2r + 1$ then for $2r < j \leq n$ let $in_\omega(p)$ be the polynomial found in Lemma 3.3 in which $p_{j,n+1}$ occurs linearly. Then $in_\omega(p) = g \cdot p_{j,n+1} + h$ with g, h not involving $p_{j,n+1}$ and g not a zero divisor modulo $in_\omega(I_{2,n+1}^{\{r\}})$.*

Proof. We write $in_\omega(p) = g \cdot p_{j,n+1} + h$ and observe that the polynomial g is the sum of monomials corresponding to perfect matchings on the set $\{1, \dots, 2r\}$ with equal ω -weight. In other words, $g \in in_{\omega'}(I_{2,n}^{\{r\}})$, where ω' is the subvector of ω without coordinates containing $(n+1)$ in the index. So we just need to show that g is not a zero divisor modulo $in_\omega(I_{2,n+1}^{\{r\}})$.

Recall the term order \prec_{circ} from Theorem 2.2 with respect to which the Pfaffian equations form a Gröbner basis for $in_\omega(I_{2,n+1}^{\{r\}})$. Then

$$in_{\prec_{circ}}(g) = p_{1,r+1}p_{2,r+2} \cdots p_{r-2,2r-1}p_{r,2r}.$$

Suppose that there exists $g' \notin in_\omega(I_{2,n+1}^{\{r\}})$ such that $gg' \in in_\omega(I_{2,n+1}^{\{r\}})$. Then choose such a g' with standard leading term with respect to the Gröbner basis given by \prec_{circ} . Then

$$in_{\prec_{circ}}(gg') = (p_{1,r+1}p_{2,r+2} \cdots p_{r-2,2r-1}p_{r,2r})in_{\prec_{circ}}(g'),$$

and $in_{\prec_{circ}}(gg')$ must be in $in_{\prec_{circ}}(I_{2,n+1}^{\{r\}})$. Therefore, $in_{\prec_{circ}}(gg')$ must be divisible by one of the crossing monomials which are the lead terms of the $(2r+2) \times (2r+2)$ Pfaffian equations. But if p_{ij} appears in the crossing monomial of a $(2r+2) \times (2r+2)$ Pfaffian equation, then $j-i \geq r+1$. This implies that $in_{\prec_{circ}}(g)$ is relatively prime to every crossing monomial. Therefore, $in_{\prec_{circ}}(g')$ must be in the leading term ideal of $in_{\prec_{circ}}(I_{2,n+1}^{\{r\}})$ with respect to \prec_{circ} , which is a contradiction since we assumed it was standard. \square

Proof of Theorem 3.1. We will proceed by induction. Fix $r \in \mathbb{N}$. For $n < 2r+1$, $in_\omega(I_{2,n+1}^{\{r\}}) = \langle 0 \rangle$ which is prime.

Now suppose $in_\omega(I_{2,n+1}^{\{r\}}) \subseteq Z^{n+1}$ is prime and consider the ideal $I_{2,n}^{\{r\}} \subseteq Z^n$. First, we show that $(in_\omega(I_{2,n+1}^{\{r\}}) \cap Z^n) = in_{\omega'}(I_{2,n}^{\{r\}})$, where again ω' is the subvector of ω that does not include coordinates with $(n+1)$ in the index. Define a grading on Z^{n+1} where $\deg(p_{ij}) = 1$ if $j = (n+1)$ and $\deg(p_{ij}) = 0$ otherwise. Then $Z^{n+1} = \bigoplus_{i=0}^{\infty} Z_i^{n+1}$ and $I_{2,n+1}^{\{r\}}$ is homogeneous with respect to this grading. It is true in general that for a homogeneous ideal I contained in a graded ring $R = \bigoplus_{i=0}^{\infty} R_i$ and a weight vector ω , that $I = \bigoplus_{i=0}^{\infty} I \cap R_i$ and

$$\begin{aligned} in_\omega(I) &= \bigoplus_{i=0}^{\infty} in_\omega(I \cap R_i) \\ &= \bigoplus_{i=0}^{\infty} (in_\omega(I) \cap R_i). \end{aligned}$$

In our case, we have $(in_\omega(I_{2,n+1}^{\{r\}}) \cap Z_0^{n+1}) = in_\omega(I_{2,n+1}^{\{r\}} \cap Z_0^{n+1})$. Since $(I_{2,n+1}^{\{r\}} \cap Z_0^{n+1}) = I_{2,n}^{\{r\}}$ and Z^n is precisely Z_0^{n+1} , the degree zero piece of Z^{n+1} , $(in_\omega(I_{2,n+1}^{\{r\}}) \cap Z^n) = in_{\omega'}(I_{2,n}^{\{r\}})$.

So now assume the statement is true for all integers less than or equal to $n \geq 2r+2$. We note by Lemma 3.3 that each $p_{j,n+1}$ appears in some equation of $in_\omega(I_{2,n+1}^{\{r\}})$. Lemma 3.5 tells us that the coefficient of $p_{j,n+1}$ is not a zero divisor modulo $in_\omega(I_{2,n+1}^{\{r\}})$, but this also implies that each coefficient is not a zero divisor modulo any elimination ideal of $in_\omega(I_{2,n+1}^{\{r\}})$. So now beginning with $j = n$, we eliminate $p_{j,n+1}$ for $2r < j \leq n$ from $in_\omega(I_{2,n+1}^{\{r\}})$. Importantly, the equation in which $p_{j,n+1}$ occurs linearly found in Lemma 3.3 does not contain any variables of the form $p_{k,n+1}$ for $k > j$ and so is still contained in the elimination ideal after we have eliminated all of these variables. Therefore, at each step, we meet the conditions of Lemma 3.2, which implies that each successive elimination ideal is prime if and only if $in_\omega(I_{2,n+1}^{\{r\}})$ is prime.

After eliminating, we have the ideal $in_\omega(I_{2,n+1}^{\{r\}}) \cap Z^n[p_{1,n+1}, \dots, p_{2r,n+1}]$ which we will now show is equal to $in_\omega(I_{2,n+1}^{\{r\}}) \cap Z^n = in_\omega(I_{2,n}^{\{r\}})$. In other words, we will show that after eliminating

$\{p_{2r+1,n+1}, \dots, p_{n,n+1}\}$, there are no equations involving any variable with $n+1$ in the index in the elimination ideal. Then by induction, the proof will be complete.

The dimension of $I_{2,n}^{\{r\}}$, and hence the dimension of all of its initial ideals, is $2rn - 2r^2 - r$ [6]. Since $I_{2,n+1}^{\{r\}}$ is prime, every irreducible component of $in_\omega(I_{2,n+1}^{\{r\}})$ has dimension $2r(n+1) - 2r^2 - r$ [5]. The birational projection of Lemma 3.2 preserves the dimension of each component, which implies

$$\dim(in_\omega(I_{2,n+1}^{\{r\}}) \cap Z^n[p_{1,n+1}, \dots, p_{2r,n+1}]) = 2r(n+1) - 2r^2 - r = \dim(in_\omega(I_{2,n}^{\{r\}})) + 2r.$$

Therefore, eliminating the remaining $2r$ variables must decrease the dimension of each component by $2r$, which implies that the variables in $\{p_{1,n+1}, \dots, p_{2r,n+1}\}$ are free in each component of $in_\omega(I_{2,n+1}^{\{r\}}) \cap Z^n[p_{1,n+1}, \dots, p_{2r,n+1}]$. We conclude that $in_\omega(I_{2,n+1}^{\{r\}}) \cap Z^n[p_{1,n+1}, \dots, p_{2r,n+1}] = in_{\omega'}(I_{2,n}^{\{r\}})$. \square

4. DIMENSIONS OF SECANTS OF THE PLÜCKER TREE IDEALS

To address Conjecture 1.2 we first construct a simple bound on $\dim(J_{\mathcal{T}}^{\{r\}})$.

Lemma 4.1. *Let \mathcal{T} be a tree with c cherries, then $\dim(J_{\mathcal{T}}^{\{r\}}) \leq 2rn - 3r - (r-1)c$.*

Proof. The variables corresponding to cherries do not appear in any of the binomials generating $J_{\mathcal{T}}$. Thus, we can write $V(J_{\mathcal{T}}) = V \times \mathbb{C}^c$ and $V(J_{\mathcal{T}})^{\{r\}} = V^{\{r\}} \times \mathbb{C}^c$, since \mathbb{C}^c is a linear space. The expected dimension of $V^{\{r\}}$ is $r \dim(V) + (r-1)$. However, $J_{\mathcal{T}}$ being homogeneous implies that V is a cone and that $\dim(V^{\{r\}}) \leq r \dim(V)$. Since they share the same Hilbert series, the dimension of $J_{\mathcal{T}}$ is equal to that of $I_{2,n}$ which is $2n - 3$ [6]. Thus, we have

$$\begin{aligned} \dim(V(J_{\mathcal{T}})^{\{r\}}) &\leq r \dim(V) + c \\ &= r(2n - 3 - c) + c. \\ &= 2rn - 3r - (r-1)c \end{aligned}$$

\square

Corollary 4.2. *Conjecture 1.2 does not hold for any r .*

Proof. Every initial ideal of $I_{2,n}^{\{r\}}$ has dimension $2rn - 2r^2 - r$ [6]. Therefore, it is impossible for $J_{\mathcal{T}}^{\{r\}} = I_{2,n}^{\{r\}}$ if

$$\begin{aligned} 2rn - 3r - (r-1)c &< 2rn - 2r^2 - r \\ -(r-1)c &< -2r^2 + 2r \\ c &> 2r. \end{aligned}$$

Thus, for any r , trees with more than $2r$ cherries serve as a counterexample. One can always construct such a tree with $4r + 2$ leaves by simply attaching a cherry to each leaf in a tree with $2r + 1$ leaves. \square

The claim of Theorem 1.3 is that when $r = 2$, trees with strictly more than 4 cherries are the only obstructions. Before we begin the proof of Theorem 1.3 we will discuss the specific structure of $I_{2,n}^{\{2\}}$ and the initial ideals $in_\omega(I_{2,n}^{\{2\}})$. The ideal $I_{2,n}^{\{2\}}$ is the vanishing ideal of the set of $n \times n$ rank four skew-symmetric matrices and is generated by the 6×6 Pfaffian equations. There are $\binom{n}{6}$ of these degree 3 equations each with 15 terms corresponding to the perfect matchings on the 6-element subset of $[n]$ to which the equation corresponds. Theorem 2.2 tells us that the initial forms of these equations with respect to ω form a Gröbner basis for $in_\omega(I_{2,n}^{\{2\}})$. Without

loss of generality, let p be the 6×6 Pfaffian equation for the set $K = \{1, 2, 3, 4, 5, 6\} \subseteq [n]$ and let $\mathcal{T}|_K$ be the restriction of \mathcal{T} to the leaves of K . Up to relabeling of the leaves, there are only two 6-leaf tree topologies and the structure of $in_\omega(p)$ is completely determined by the topology of $\mathcal{T}|_K$.

If \mathcal{T} is the 6-leaf caterpillar tree with nontrivial splits $12|3456$, $123|456$, and $1234|56$, then

$$in_\omega(p) = p_{14}p_{25}p_{36} - p_{14}p_{26}p_{35} - p_{15}p_{24}p_{36} + p_{15}p_{26}p_{34} + p_{16}p_{24}p_{35} - p_{16}p_{25}p_{34}.$$

If \mathcal{T} is the 6-leaf snowflake tree with nontrivial splits $12|3456$, $34|1256$, and $56|1234$, then

$$in_\omega(p) = p_{14}p_{25}p_{36} - p_{14}p_{26}p_{35} - p_{15}p_{24}p_{36} + p_{13}p_{25}p_{46} + p_{16}p_{24}p_{35} - p_{13}p_{26}p_{45} + p_{15}p_{23}p_{46} - p_{16}p_{23}p_{45}.$$

Thus, $in_\omega(I_{2,n}^{\{2\}})$ has a Gröbner basis consisting of $\binom{n}{6}$ equations each with either six or eight terms. We call the binary phylogenetic $[n]$ -tree with exactly two cherries the *n -leaf caterpillar*. Although the following theorem for caterpillar trees does not generalize to a proof of Theorem 1.3, we include it because it is rather straightforward and establishes one of the base cases for our inductive argument.

Theorem 4.3. *Let \mathcal{C} be an n -leaf caterpillar tree and $\omega \in \mathbb{R}^{\binom{n}{2}}$ be a weight vector such that $in_\omega(I_{2,n}) = J_{\mathcal{C}}$, then $in_\omega(I_{2,n}^{\{2\}}) = J_{\mathcal{C}}^{\{2\}}$.*

Proof. Recall from above that the initial ideal of a secant ideal is contained inside the secant of the initial ideal [14], so we have the inclusion,

$$(1) \quad in_\omega(I_{2,n}^{\{2\}}) \subseteq (in_\omega(I_{2,n}))^{\{2\}} = J_{\mathcal{C}}^{\{2\}}.$$

Let P be the poset on the variables of Z^n given by $p_{ij} \leq p_{kl}$ if $i \leq k$ and $j \leq l$ and $J(P)$ the monomial ideal generated by incomparable pairs $p_{ij}p_{kl}$ in P . There exists a term order ω' for which $in_{\omega'}(J_{\mathcal{C}}) = J(P)$ [8, Theorem 14.16]. Taking initial ideals with respect to ω' in (1), we have

$$(2) \quad in_{\omega'}(in_\omega(I_{2,n}^{\{2\}})) \subseteq in_{\omega'}(J_{\mathcal{C}}^{\{2\}}) \subseteq (in_{\omega'}(J_{\mathcal{C}}))^{\{2\}} = J(P)^{\{2\}}.$$

In fact, there exists $\omega'' = \omega + \epsilon\omega'$ such that $in_{\omega'}(in_\omega(I_{2,n}^{\{2\}})) = in_{\omega''}(I_{2,n}^{\{2\}})$ [13, Proposition 1.13]. It is also shown in [14] Example 4.13, that we can choose a term order \prec for which $in_\prec(I_{2,n}^{\{2\}}) = J(P)^{\{2\}}$. This implies

$$HS(J(P)^{\{2\}}, t) = HS(in_\prec(I_{2,n}^{\{2\}}), t) = HS(in_{\omega''}(I_{2,n}^{\{2\}}), t),$$

which gives equality all across (2). This further implies that

$$HS(J_{\mathcal{C}}^{\{2\}}, t) = HS(in_{\omega''}(I_{2,n}^{\{2\}}), t) = HS(in_\omega(I_{2,n}^{\{2\}}), t),$$

giving equality in (1) and completing the proof. \square

Now to complete the proof of Theorem 1.3, we need only show that for trees with exactly 3 or 4 cherries, $\dim(in_\omega(I_{2,n}^{\{2\}})) = \dim(J_{\mathcal{T}}^{\{2\}})$. Because of the containment $\dim(in_\omega(I_{2,n}^{\{2\}})) \subseteq \dim(J_{\mathcal{T}}^{\{2\}})$, this amounts to showing $\dim(J_{\mathcal{T}}^{\{2\}}) \geq 2rn - 2r^2 - r$. To do this, we will use the tropical secant dimension approach of [1]. We adapt the notation and terminology here for our purposes but refer the reader there for a complete description of the method.

Let C_1, \dots, C_r be affine cones. Suppose further that $C_i = \overline{\text{Im}(f_i)}$ where $f_i : \mathbb{C}^{m_i} \rightarrow \mathbb{C}^{|B|}$ is a morphism. For $1 \leq i \leq r$, we write f_i as a list $(f_{i,b})_{b \in B}$. For our purposes in this paper, we may assume that each $f_{i,b}$ is a monomial, so that $f_{i,b} = x^{\alpha_{i,b}}$. For affine cones the mixing parameters introduced when constructing the join variety are superfluous. Thus, we can write the *join* of the affine cones C_1, \dots, C_r as

$$C_1 + \dots + C_r := \overline{\{c_1 + \dots + c_r : c_i \in C_i, 1 \leq i \leq r\}}.$$

Definition 4.4. For $v = (v_1, \dots, v_r) \in \bigoplus_{i=1}^r \mathbb{R}^{m_i}$, let

$$D_i(v) := \{\alpha_{i,b} : \langle v_i, \alpha_{i,b} \rangle > \langle v_j, \alpha_{j,b} \rangle \text{ for all } j \neq i\}.$$

If $\alpha_{i,b} \in D_i(v)$ then i wins b at v and we call $D_i(v)$ the set of *winning directions* of i at v .

Finally, the result below gives us a method of constructing lower bounds on the dimension of the join of affine cones.

Lemma 4.5. [1] *The affine dimension of $C_1 + \dots + C_r$ is at least the maximum, taken over all $v = (v_1, \dots, v_r) \in \bigoplus_{i=1}^r \mathbb{R}^{m_i}$, of the sum*

$$\sum_{i=1}^r \dim_{\mathbb{R}} \langle D_i(v) \rangle_{\mathbb{R}}.$$

Of course, we are actually interested in the dimension of the ideal $J_{\mathcal{T}}^{\{2\}}$. To apply the lemma, we regard the underlying projective variety $V(J_{\mathcal{T}})$ as an affine cone so that $\dim(J_{\mathcal{T}}^{\{2\}}) = \dim(V(J_{\mathcal{T}}) + V(J_{\mathcal{T}}))$. So here, $r = 2$, $C_1 = C_2 = V(J_{\mathcal{T}})$, and $B = \{\{k, l\} : 1 \leq k < l \leq n\}$. Recall from Section 2 that $J_{\mathcal{T}}$ is the Zariski closure of the monomial map $\phi_{\mathcal{T}} : Z^n \rightarrow \mathbb{C}[y]$, where $\phi_{\mathcal{T}}(p_{ij})$ is the square-free monomial parametrizing p_{ij} . Letting $\alpha_{ij}^{\mathcal{T}} \in \mathbb{R}^{2n-3}$ be the 0/1 coefficient vector of $\phi_{\mathcal{T}}(p_{ij})$ we have a simplified version of the lemma.

Lemma 4.6. *The dimension of $V(J_{\mathcal{T}}) + V(J_{\mathcal{T}})$ is at least the maximum, taken over all $v = (v_1, v_2) \in \mathbb{R}^{2n-3} \oplus \mathbb{R}^{2n-3}$, of the sum*

$$\dim_{\mathbb{R}} \langle D_1^{\mathcal{T}}(v) \rangle_{\mathbb{R}} + \dim_{\mathbb{R}} \langle D_2^{\mathcal{T}}(v) \rangle_{\mathbb{R}}.$$

Lemma 4.7. *Let \mathcal{T} be a binary phylogenetic $[n]$ -tree with exactly 3 or 4 cherries, then $\dim(J_{\mathcal{T}}^{\{2\}}) \geq 4n - 10$.*

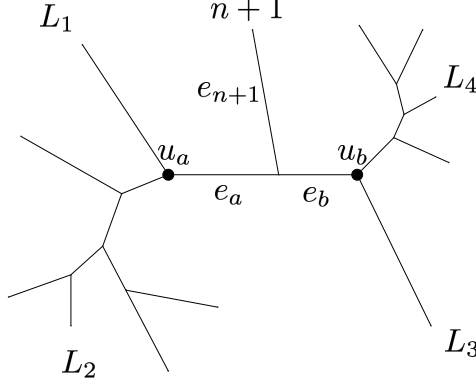
Proof. We will prove by induction on n that there exists a vector $v = (v_1, v_2) \in \mathbb{R}^{2n-3} \oplus \mathbb{R}^{2n-3}$ such that $\dim_{\mathbb{R}} \langle D_1^{\mathcal{T}}(v) \rangle_{\mathbb{R}} = \dim_{\mathbb{R}} \langle D_2^{\mathcal{T}}(v) \rangle_{\mathbb{R}} = 2n - 5$. First, note that every tree with exactly 3 cherries can be constructed by successively attaching leaves to the snowflake tree so that the new leaf is not involved in a cherry. Every tree with exactly 4 cherries can be constructed in the same manner from the unique 8-leaf tree with 4 cherries. By random search, we can find vectors that give us the lower bound for these two trees establishing our base cases. These vectors and the computations to verify the lower bounds can be found in the Maple worksheet `SecantDimension.mw` located at the author's website.

Assume the statement is true for all binary phylogenetic $[n]$ -trees and let \mathcal{T} be a binary phylogenetic $[n+1]$ -tree with exactly 3 or 4 cherries. Label \mathcal{T} so that the leaf labeled by $(n+1)$ is not part of a cherry. Let $\mathcal{R} = \mathcal{T}_{[n]}$ be the tree obtained by restricting \mathcal{T} to the leaves labeled by $[n]$ and deleting the resulting degree two vertex. By our inductive assumption, there exists $v = (v_1, v_2) \in \mathbb{R}^{2n-3} \oplus \mathbb{R}^{2n-3}$ such that $\dim_{\mathbb{R}} \langle D_1^{\mathcal{R}}(v) \rangle_{\mathbb{R}} = \dim_{\mathbb{R}} \langle D_2^{\mathcal{R}}(v) \rangle_{\mathbb{R}} = 2n - 5$. Our goal will be to construct a new vector $w = (w_1, w_2) \in \mathbb{R}^{2(n+1)-3} \oplus \mathbb{R}^{2(n+1)-3}$ so that $\dim_{\mathbb{R}} \langle D_1^{\mathcal{T}}(w) \rangle_{\mathbb{R}} = \dim_{\mathbb{R}} \langle D_2^{\mathcal{T}}(w) \rangle_{\mathbb{R}} = 2(n+1) - 5$.

When adding the $(n+1)$ leaf to \mathcal{R} , we introduce “new” edges e_a , e_b , and e_{n+1} and eliminate the edge e . Let u_a be the vertex of e_a not shared with e_b and likewise let u_b be the vertex of e_b not shared with e_a . Arbitrarily choose two leaves L_1 and L_2 such that the path from these leaves to $(n+1)$ passes through e_a . Also choose leaves L_3 and L_4 such that the path from these

leaves to $(n + 1)$ passes through e_b . Such leaves exist since $(n + 1)$ is not contained in a cherry. Figure 1 depicts the situation.

FIGURE 1. An example of the labeling scheme described in Lemma 4.7.



Delete the entry of v_1 and that of v_2 corresponding to the parameter y_e to form $v'_1, v'_2 \in \mathbb{R}^{2n-4}$. Define $w_1 = (v'_1, w_1^a, w_1^b, w_1^{n+1})$ and $w_2 = (v'_2, w_2^a, w_2^b, w_2^{n+1})$ where the entries of w correspond to the edges of \mathcal{T} in the obvious way.

Our goal will be to choose the six new vector entries so that s wins $\alpha_{ij}^{\mathcal{T}}$ at w if and only if s wins $\alpha_{ij}^{\mathcal{R}}$ at v for $1 \leq i < j \leq n$. Moreover, we will want both 1 and 2 to win one of $\{\alpha_{L_1, n+1}^{\mathcal{T}}, \alpha_{L_2, n+1}^{\mathcal{T}}\}$ and $\{\alpha_{L_3, n+1}^{\mathcal{T}}, \alpha_{L_4, n+1}^{\mathcal{T}}\}$. First, we will see why this will guarantee that $\dim_{\mathbb{R}} \langle D_1^{\mathcal{T}}(w) \rangle_{\mathbb{R}} = \dim_{\mathbb{R}} \langle D_2^{\mathcal{T}}(w) \rangle_{\mathbb{R}} = 2(n + 1) - 5$.

Form the matrix $A(\mathcal{T})$ with rows equal to *all* the vectors $\alpha_{ij}^{\mathcal{T}}$. Let

$$\omega = \begin{pmatrix} \omega(e_1) \\ \vdots \\ \omega(e_{2(n+1)-3}) \end{pmatrix},$$

be a vector of edge lengths for \mathcal{T} . Since $\alpha_{ij}^{\mathcal{T}} \cdot \omega$ gives us the distance between leaves i and j in \mathcal{T} , $A(\mathcal{T})\omega$ determines a metric on the leaves of \mathcal{T} . By the *Tree-Metric theorem* ([9, 11]) ω is the unique solution to $A(\mathcal{T})x = A(\mathcal{T})\omega$. Therefore, the rank of $A(\mathcal{T})$ is $2n - 3$. Thus, if we can uniquely recover all of the edge lengths assigned to \mathcal{T} from a matrix, the matrix has rank at least $2(n + 1) - 3$.

Let ω' be a vector of edge lengths for \mathcal{R} where the lengths of edges shared between \mathcal{R} and \mathcal{T} are the same and $\omega'(e) = \omega(e_a) + \omega(e_b)$. Form the matrix $M_s^{\mathcal{R}}(v)$ with rows equal to the vectors in $D_s^{\mathcal{R}}(v)$. By induction, this matrix has rank equal to $2n - 5$. Let $M_s^{\mathcal{R}}(v)'$ be the matrix $M_s^{\mathcal{R}}(v)$ augmented with two additional columns from $A(\mathcal{R})$ so that $\text{rank}(M_s^{\mathcal{R}}(v)') = 2n - 3$. Since this matrix is full rank, there is again a unique solution to

$$M_s^{\mathcal{R}}(v)'x = M_s^{\mathcal{R}}(v)'\omega'.$$

This implies that we can uniquely determine the lengths of all $2n - 3$ edges in \mathcal{R} . As a corollary, we can recover the lengths of all edges in \mathcal{T} that are also in \mathcal{R} and $\omega(e_a) + \omega(e_b)$, the sum of the lengths of edges e_a and e_b in \mathcal{T} .

Without loss of generality, suppose we have constructed $w = (w_1, w_2)$ so that $M_1^{\mathcal{T}}(v)$ contains all of the columns from $M_1^{\mathcal{R}}(v)$ and columns corresponding to $\alpha_{L_1, n+1}^{\mathcal{T}}$ and $\alpha_{L_3, n+1}^{\mathcal{T}}$. Then let $M_1^{\mathcal{T}}(v)'$ be the matrix that contains all of the columns from $M_1^{\mathcal{R}}(v)'$ and columns corresponding to $\alpha_{L_1, n+1}^{\mathcal{T}}$ and $\alpha_{L_3, n+1}^{\mathcal{T}}$. These columns enable us to recover the lengths of the paths from L_1 to $(n + 1)$ and from L_3 to $(n + 1)$ in \mathcal{T} . We will now show how this will enable us to determine the

lengths of the remaining edges, e_{n+1} , e_a , and e_b uniquely. As explained, being able to determine all of the edge lengths of \mathcal{T} from $M_1^{\mathcal{T}}(v)'$ shows that $M_1^{\mathcal{T}}(v)'$ has rank $2(n+1) - 3$.

Since we know the length of the path from L_1 to $(n+1)$ and the length of every edge between L_1 and $(n+1)$ except e_{n+1} and e_a , we can determine $\omega(e_{n+1}) + \omega(e_a)$. Likewise, we know the length of the path from L_3 to $(n+1)$ and the length of every edge between L_3 and $(n+1)$ except e_{n+1} and e_b , so we can recover $\omega(e_{n+1}) + \omega(e_b)$. Combined with our knowledge of $\omega(e_a) + \omega(e_b)$ we can determine the lengths of e_{n+1} , e_a , and e_b . Uniqueness implies that the augmented matrix $M_1^{\mathcal{T}}(w)'$ has rank $2(n+1) - 3$ and so $M_1^{\mathcal{T}}(w)$ has rank $2(n+1) - 5$ as desired. If we have also chosen $w = (w_1, w_2)$ so that $M_2^{\mathcal{T}}(v)$ contains all of the columns from $M_2^{\mathcal{R}}(v)$ and columns corresponding to $\alpha_{L_2, n+1}^{\mathcal{T}}$ and $\alpha_{L_4, n+1}^{\mathcal{T}}$, then the same is true for $M_2^{\mathcal{T}}(w)$, and the theorem is complete.

It remains to show that we can actually choose the six new vector entries $w_1^a, w_1^b, w_1^{n+1}, w_2^a, w_2^b$, and w_2^{n+1} in the manner specified. First, note that every edge in \mathcal{T} along the path from u_a to L_1 or L_2 and u_b to L_3 or L_4 is contained in \mathcal{R} . Therefore, we let a_i^s be the v_s -weight of the path from u_a to L_i with $i = 1, 2$ and we have:

$$\begin{aligned} w_1 \cdot \alpha_{L_1, n+1}^{\mathcal{T}} &= a_1^1 + w_1^a + w_1^{n+1}, \\ w_2 \cdot \alpha_{L_1, n+1}^{\mathcal{T}} &= a_1^2 + w_2^a + w_2^{n+1}, \\ w_1 \cdot \alpha_{L_2, n+1}^{\mathcal{T}} &= a_2^1 + w_1^a + w_1^{n+1}, \\ w_2 \cdot \alpha_{L_2, n+1}^{\mathcal{T}} &= a_2^2 + w_2^a + w_2^{n+1}. \end{aligned}$$

Recall that our goal is for both 1 and 2 to win one of $\{\alpha_{L_1, n+1}^{\mathcal{T}}, \alpha_{L_2, n+1}^{\mathcal{T}}\}$ and $\{\alpha_{L_3, n+1}^{\mathcal{T}}, \alpha_{L_4, n+1}^{\mathcal{T}}\}$. Rearranging, we would like to have

$$\begin{aligned} a_1^1 + w_1^a + w_1^{n+1} &< a_1^2 + w_2^a + w_2^{n+1}, \\ a_2^1 + w_1^a + w_1^{n+1} &> a_2^2 + w_2^a + w_2^{n+1} \\ \Rightarrow (w_1^a + w_1^{n+1}) - (w_2^a + w_2^{n+1}) &< a_1^2 - a_1^1 \\ (w_1^a + w_1^{n+1}) - (w_2^a + w_2^{n+1}) &> a_2^2 - a_2^1 \end{aligned}$$

If we let $(w_1^a + w_1^{n+1}) = (a_1^2 - a_1^1)/2$ and $(w_2^a + w_2^{n+1}) = -(a_2^2 - a_2^1)/2$ then $(w_1^a + w_1^{n+1}) - (w_2^a + w_2^{n+1})$ is just the average of $(a_1^2 - a_1^1)$ and $(a_2^2 - a_2^1)$. For w chosen sufficiently generic, the inequalities above may both be switched, but regardless, we will have sent the vectors $\{\alpha_{L_1, n+1}^{\mathcal{T}}, \alpha_{L_2, n+1}^{\mathcal{T}}\}$ into different matrices. By symmetry, we let b_i^s be the v_s -weight of the path from u_b to L_i for $i = 3, 4$. Then we will be done if the following system has a solution:

$$\begin{aligned} w_1^a + w_1^{n+1} &= (a_1^2 - a_1^1)/2 \\ w_2^a + w_2^{n+1} &= -(a_2^2 - a_2^1)/2 \\ w_1^b + w_1^{n+1} &= (b_1^2 - b_1^1)/2 \\ w_2^b + w_2^{n+1} &= -(b_2^2 - b_2^1)/2 \\ w_1^a + w_1^b &= v_1^e \\ w_2^a + w_2^b &= v_2^e. \end{aligned}$$

The last two equations are necessary so that s wins $\alpha_{ij}^{\mathcal{T}}$ at w if and only if s wins $\alpha_{ij}^{\mathcal{R}}$ at v . The resulting matrix is full rank. \square

Finally, we have all of the pieces necessary to complete our proof.

Proof of Theorem 1.3. Corollary 4.2 shows that if \mathcal{T} has five or more cherries then $in_{\omega}(I_{2,n}^{\{2\}}) \neq J_{\mathcal{T}}^{\{2\}}$. Let \mathcal{T} be a binary phylogenetic $[n]$ -tree with fewer than 5 cherries. By Lemma 4.7, $\dim(J_{\mathcal{T}}^{\{2\}}) \geq 4n-10$, and since $in_{\omega}(I_{2,n}^{\{2\}}) \subseteq J_{\mathcal{T}}^{\{2\}}$, and $\dim(in_{\omega}(I_{2,n}^{\{2\}})) = 4n-10$, $\dim(in_{\omega}(I_{2,n}^{\{2\}})) = \dim(J_{\mathcal{T}}^{\{2\}})$. By Theorem 3.1, $in_{\omega}(I_{2,n}^{\{2\}})$ is prime and of the same dimension as $J_{\mathcal{T}}^{\{2\}}$, which implies $in_{\omega}(I_{2,n}^{\{2\}}) = J_{\mathcal{T}}^{\{2\}}$. \square

5. BEYOND THE SECOND SECANT

Based on the proof of Theorem 1.3 and the result of Lemma 3.1, we have the following corollary which is a modification of the statement of Conjecture 1.2.

Corollary 5.1. *Let \mathcal{T} be a binary phylogenetic $[n]$ -tree, $\omega \in \mathbb{R}^n$ a weight vector, and $\tau \in \{\pm 1\}^{\binom{n}{2}}$ a sign vector such that $J_{\mathcal{T}} = \tau \cdot in_{\omega}(I_{2,n})$. Then $\tau \cdot in_{\omega}(I_{2,n}^{\{r\}}) = J_{\mathcal{T}}^{\{r\}}$ if and only if $\dim(J_{\mathcal{T}}^{\{r\}}) = 2rn - 2r^2 - r$.*

We have already seen that Conjecture 1.2 is not true for trees with more than $2r$ cherries. However, as r increases, the number of cherries is not the only obstruction. The presence of other tree structures factors into a bound on the possible dimension of $J_{\mathcal{T}}^{\{r\}}$.

Removing an edge from a binary phylogenetic $[n]$ -tree creates two connected components each of which is a rooted binary phylogenetic K -tree for some $K \subset [n]$. If one of these rooted trees is a k -leaf rooted caterpillar then we call this rooted subtree a k -cluster of \mathcal{T} . Cherries, then, may alternatively be referred to as 2-clusters. We let c_k be the number of k -clusters in a tree. If leaves i and j are contained in an s -cluster, then we let k be the smallest such s and call the variable p_{ij} a k -cluster variable for \mathcal{T} .

Example 5.2. Let \mathcal{T} be the tree in Figure 2. Then \mathcal{T} has three 3-clusters on the leaves $\{1, 2, 3\}$, $\{4, 5, 6\}$, and $\{11, 12, 13\}$. The set of 2-cluster variables is

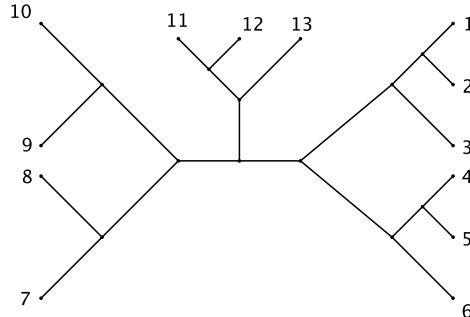
$$\{p_{1,2}, p_{4,5}, p_{7,8}, p_{9,10}, p_{11,12}\}$$

and the set of 3-cluster variables is

$$\{p_{1,3}, p_{2,3}, p_{4,6}, p_{5,6}, p_{11,13}, p_{12,13}\}.$$

Notice that the way clusters are nested, the number of k -cluster variables in a tree will be $(k-1)c_k$.

FIGURE 2. A 13-leaf tree with five 2-clusters and three 3-clusters.



Lemma 5.3. *Let c_k be the number of k -clusters in \mathcal{T} , then*

$$\dim(J_{\mathcal{T}}^{\{r\}}) \leq 2rn - 3r - \sum_{k=2}^r (r - k + 1)c_k.$$

Proof. Let ω be a weight vector such that $J_{\mathcal{T}} = in_{\omega}(I_{2,n})$. Let $J_{\mathcal{T}}^E$ be the ideal constructed by eliminating all k -cluster variables from $J_{\mathcal{T}}$ for $1 \leq k \leq r - 1$, and embedding this ideal in Z^n . Define $V(J_{\mathcal{T}}^E) = W$ and note that $V(J_{\mathcal{T}}) \subseteq W$ and $\dim(J_{\mathcal{T}}^{\{r\}}) \leq \dim(\mathcal{I}(W)^{\{r\}})$. There are no restrictions on the $\sum_{k=2}^r (k - 1)c_k$ eliminated variables in W , so we may write $W = W' \times \mathbb{C}^{\sum_{k=2}^r (k-1)c_k}$. Since $\mathbb{C}^{\sum_{k=2}^r (k-1)c_k}$ is a linear space, $W^{\{r\}} = W'^{\{r\}} \times \mathbb{C}^{\sum_{k=2}^r (k-1)c_k}$. We also observe that W' is a cone since it is a coordinate projection of a cone. Thus, $\dim(W^{\{r\}}) \leq r \dim(W'^{\{r\}}) + \sum_{k=2}^r (k - 1)c_k$.

Now we seek a bound for $\dim(W'^{\{r\}})$. Choose a specific k -cluster in \mathcal{T} , define a grading with every k -cluster variable in that k -cluster having weight one and every other variable having weight zero. Observe that each binomial generator of $J_{\mathcal{T}}$ is homogeneous with respect to this grading. Thus, the equations in any reduced Gröbner basis for $J_{\mathcal{T}}$ with respect to any monomial order contain at least two distinct k -cluster variables from the designated k -cluster if they contain any at all. If not, by homogeneity, there exists an equation in the reduced Gröbner basis in which p_{ij} , a k -cluster variable from the designated k -cluster, can be factored. Since $J_{\mathcal{T}}$ is prime, that implies that p_{ij} is zero, which is evidently not true from the parameterization. Therefore, choosing an elimination order and eliminating any $(k - 2)$ of the designated k -cluster variables from $J_{\mathcal{T}}$ eliminates all of the $(k - 1)$ designated k -cluster variables. Thus, projecting away all of the k -cluster variables from a given k -cluster in $V(J_{\mathcal{T}})$ yields a variety of at least one dimension less. Applying the same argument to each k -cluster implies $\dim(W') \leq 2n - 3 - \sum_{k=2}^r c_k$, and the result follows. \square

In the case where $r = 2$, this is just a restatement of Lemma 4.1. When $r = 3$, we have $\dim(I_{2,n}^{\{3\}}) = 6n - 21$, so this tells us that it is impossible for $J_{\mathcal{T}}^{\{3\}} = I_{2,n}^{\{3\}}$ when $2c_2 + c_3 > 12$.

Example 5.4. Let \mathcal{T} be the 13-leaf tree pictured in Figure 2. Then $c_2 = 5$, $c_3 = 3$, and $2c_2 + c_3 = 13$. Lemma 5.3 tells us that $\dim(J_{\mathcal{T}}^{\{3\}}) \leq 66 < 67 = \dim(I_{2,n}^{\{3\}})$ so that $J_{\mathcal{T}}^{\{3\}} \neq I_{2,n}^{\{3\}}$. Evaluating the Jacobian matrix at a random point we find that $\dim(J_{\mathcal{T}}^{\{3\}}) = 66$.

Finally, one might wonder if we can modify Conjecture 1.2 as follows.

Conjecture 5.5. *Let \mathcal{T} be a binary phylogenetic $[n]$ -tree, $\omega \in \mathbb{R}^n$ a weight vector, and $\tau \in \{\pm 1\}^{\binom{n}{2}}$ a sign vector such that $J_{\mathcal{T}} = \tau \cdot in_{\omega}(I_{2,n})$. Then $\tau \cdot in_{\omega}(I_{2,n}^{\{r\}}) = J_{\mathcal{T}}^{\{r\}}$ if and only if*

$$\sum_{k=2}^r (r - k + 1)c_k < 2r^2 - 2r.$$

We have investigated $\dim(J_{\mathcal{T}}^{\{r\}})$ for $r = 3$ and $r = 4$ and several trees up to 18 leaves. By evaluating the Jacobian matrix at random points, we have found in each case that the conjecture holds. It may be possible to prove Conjecture 5.3 utilizing induction as we did in Lemma 4.7, however, there are many more base cases to handle and it is unclear how to generalize the induction step.

ACKNOWLEDGEMENTS

Colby Long was partially supported by the US National Science Foundation (DMS 0954865). We would like to thank Seth Sullivant for suggesting this problem and for many helpful comments during the completion of this work.

REFERENCES

- [1] Jan Draisma. A tropical approach to secant dimensions. *J. Pure Appl. Algebra*, 212(2):349–363, 2008.
- [2] Mathias Drton, Bernd Sturmfels, and Seth Sullivant. Algebraic factor analysis: Tetrads, pentads and beyond. *Probability Theory and Related Fields*, 138(3–4):463–493, 2007.
- [3] Luis David Garcia, Michael Stillman, and Bernd Sturmfels. Algebraic geometry of Bayesian networks. *Journal of Symbolic Computation*, 39(3–4):331–355, March–April 2005.
- [4] Jakob Jonsson and Volkmar Welker. A spherical initial ideal for Pfaffians. *Illinois J. Math*, 51(4):1397–1407, 2007.
- [5] Michael Kalkbrener and Bernd Sturmfels. Initial complexes of prime ideals. *Advances in Mathematics*, 116(2):365–376, 1995.
- [6] H. Kleepe and D. Laksov. The algebraic structure and deformation of Pfaffian schemes. *J. Algebra*, 64:167–189, 1980.
- [7] Colby Long. *Algebraic Geometry of Phylogenetic Models*. PhD thesis, North Carolina State University, Raleigh, North Carolina, March 2016.
- [8] Ezra Miller and Bernd Sturmfels. *Combinatorial Commutative Algebra*. Springer, 2005.
- [9] Lior Pachter and David Speyer. Reconstructing trees from subtree weights. *Applied Mathematical Letters*, 17:615–621, 2004.
- [10] Lior Pachter and Bernd Sturmfels, editors. *Algebraic Statistics for Computational Biology*, page 101. Cambridge University Press, Cambridge, United Kingdom, 2005.
- [11] Charles Semple and Mike Steel. *Phylogenetics*. Oxford University Press, Oxford, 2003.
- [12] David Speyer and Bernd Sturmfels. The tropical Grassmannian. *Adv. Geom.*, 4:389–411, 2004.
- [13] Bernd Sturmfels. *Gröbner bases and Convex Polytopes*, volume 8. American Mathematical Soc., 1996.
- [14] Bernd Sturmfels and Seth Sullivant. Combinatorial secant varieties. *Quarterly Journal of Pure and Applied Mathematics*, 2:285–309, 2006.
- [15] Seth Sullivant. Algebraic geometry of Gaussian Bayesian networks. *Advances in Applied Mathematics*, 40(4):482–513, 2008.