

ARC-LIKE CONTINUA, JULIA SETS OF ENTIRE FUNCTIONS, AND EREMENKO'S CONJECTURE

LASSE REMPE-GILLEN

ABSTRACT. A transcendental entire function that is hyperbolic with connected Fatou set is said to be “of disjoint type”. A good understanding of these functions is known to have wider implications; for example, a disjoint-type function provides a model for the dynamics near infinity of all maps in the same parameter space.

The goal of this article is to study the topological properties of the Julia sets of entire functions of disjoint type. In particular, we give a detailed description of the possible topology of their connected components. More precisely, let C be a connected component of such a Julia set, and consider the *Julia continuum* $\hat{C} := C \cup \{\infty\}$. We show that ∞ is a terminal point of \hat{C} , and that \hat{C} has span zero in the sense of Lelek; under a mild additional geometric assumption the continuum \hat{C} is arc-like. (Whether every span zero continuum is also arc-like was a famous question in continuum theory, posed by Lelek in 1961, and only recently resolved in the negative by work of Hoehn.) Conversely, we construct a single disjoint-type entire function f with the remarkable property that each arc-like continuum with at least one terminal point is realised as a Julia continuum of f . We remark that the class of arc-like continua with terminal points is uncountable. It includes, in particular, the $\sin(1/x)$ -curve, the Knaster buckethandle and the pseudo-arc, so these can all occur as Julia continua of a disjoint-type entire function.

We also give similar descriptions of the possible topology of Julia continua that contain periodic points or points with bounded orbits, and answer a question of Barański and Karpińska by showing that Julia continua need not contain points that are accessible from the Fatou set. Furthermore, we construct a disjoint-type entire function whose Julia set has connected components on which the iterates tend to infinity pointwise, but not uniformly. This property is related to a famous conjecture of Eremenko concerning escaping sets of entire functions.

1. INTRODUCTION

We consider the iteration of transcendental entire functions; i.e. of non-polynomial holomorphic self-maps of the complex plane. This topic was founded by Fatou in a seminal article of 1921 [Fat26], and gives rise to many beautiful phenomena and interesting questions. In addition, the past decade has seen an increasing influence of transcendental phenomena on the fields of rational and polynomial dynamics. For example, work of Inou and Shishikura as well as of Buff and Chéritat implies that certain well-known features of transcendental dynamics occur naturally near non-linearizable fixed points of quadratic polynomials [Shi09, Shi15, Che17]. Hence results and arguments in this context are now often motivated by properties first discovered in the context of

2010 *Mathematics Subject Classification*. Primary 37F10; Secondary 30D05, 37B45, 54F15, 54H20. Supported by EPSRC Fellowship EP/E052851/1 and a Philip Leverhulme Prize.

transcendental dynamics. Similarly, Dudko and Lyubich have applied recent techniques from transcendental dynamics directly to renormalisation fixed points, in order to obtain local connectivity of the Mandelbrot set at certain parameters [DL18]. Thus it is to be hoped that a better understanding of the transcendental case will lead to further insights in the polynomial and rational setting as well.

In this article, we study a particular class of transcendental entire functions, namely those that are of *disjoint type*; i.e. hyperbolic with connected Fatou set. To provide the required definitions, recall that the *Fatou set* $F(f)$ of a transcendental entire function f consists of those points z that have a neighbourhood on which the family of iterates

$$f^n := \underbrace{f \circ \cdots \circ f}_{n \text{ times}}$$

is equicontinuous with respect to the spherical metric. (I.e., these are the points where small perturbations of the starting point z result only in small changes of $f^n(z)$, independently of n .) Its complement $J(f) := \mathbb{C} \setminus F(f)$ is called the *Julia set*; it is the set on which f exhibits “chaotic” behaviour. We also recall that the set $S(f)$ of (finite) *singular values* is the closure of all critical and asymptotic values of f in \mathbb{C} . Equivalently, it is the smallest closed set S such that $f: \mathbb{C} \setminus f^{-1}(S) \rightarrow \mathbb{C} \setminus S$ is a covering map.

1.1. Definition (Hyperbolicity and disjoint type).

An entire function f is called *hyperbolic* if the set $S(f)$ is bounded and every point in $S(f)$ tends to an attracting periodic cycle of f under iteration. If f is hyperbolic and furthermore $F(f)$ is connected, then we say that f is of *disjoint type*.

As a simple example, consider the maps

$$S_\lambda(z) := \lambda \sin(z), \quad \lambda \in (0, 1).$$

It is elementary to verify that both singular values $\pm\lambda$, and indeed all real starting values, tend to the fixed point 0 under iteration. In particular, S_λ is hyperbolic, and it is not difficult to deduce that the Fatou set consists only of the immediate basin of attraction of 0. So each S_λ is of disjoint type. Fatou [Fat26, p. 369] observed already in 1926 that $J(S_\lambda)$ contains infinitely many curves on which the iterates tend to infinity (namely, iterated preimages of an infinite piece of the imaginary axis), and asked whether this is true for more general classes of functions. In fact, the entire set $J(S_\lambda)$ can be written as an uncountable union of arcs, often called “hairs”, each connecting a finite endpoint with ∞ .¹ Every point on one of these arcs, with the possible exception of the finite endpoint, tends to infinity under iteration. This led Eremenko [Ere89] to strengthen Fatou’s question by asking whether, for an arbitrary entire function f , every point of the *escaping set*

$$I(f) := \{z \in \mathbb{C} : f^n(z) \rightarrow \infty\}$$

could be connected to infinity by an arc in $I(f)$.

¹To our knowledge, this fact (for $\lambda < 0.85$) was first proved explicitly by Aarts and Oversteegen [AO93, Theorem 5.7]. Devaney and Tangerman [DT86] had previously discussed at least the existence of “Cantor bouquets” of arcs in the Julia set, and the proof that the whole Julia set has this property is analogous to the proof for the disjoint-type exponential maps $z \mapsto \lambda e^z$ with $0 < \lambda < 1/e$, first established in [DK84, p. 50]; see also [DG87].

It turns out that the situation is not as simple as suggested by these questions, even for a disjoint-type entire function f . Indeed, while for such f the answer to Eremenko's question is positive if the function additionally has finite order of growth in the sense of classical function theory (a result obtained independently in [Bar07] and [RRRS11, Theorem 1.2]), there is a disjoint-type entire function f such that $J(f) \supset I(f)$ contains no arcs at all [RRRS11, Theorem 8.4]. This shows that there is a wide variety of possible topological types of components of $J(f)$, even for f of disjoint type.

In view of this fact, it may seem surprising that it is nonetheless possible to give an essentially complete solution to the question of which topological objects can arise in this manner. This solution, which will be achieved by combining concepts and techniques from the study of topological continua (non-empty compact, connected metric spaces) with the modern theory of transcendental dynamics, is the main result of this article.

More precisely, let f be of disjoint type. Then it is easy to see (Corollary 3.11) that the Julia set $J(f)$ is a union of uncountably many connected components, each of which is closed and unbounded. If C is such a component, we call the continuum $\hat{C} := C \cup \{\infty\}$ a *Julia continuum* of f . In the case of $z \mapsto \lambda \sin(z)$ with $\lambda \in (0, 1)$, every Julia continuum is an arc, while in the example of [RRRS11, Theorem 8.4], every Julia continuum is a non-degenerate continuum that contains no arcs.

To obtain our most precise statement about the possible topology of Julia continua, we impose a mild additional function-theoretic restriction on the entire function under consideration.

1.2. Definition (Bounded slope [RRRS11, Definition 5.1]).

An entire function is said to have *bounded slope* if there exists a curve $\gamma: [0, \infty) \rightarrow \mathbb{C}$ such that $|f(\gamma(t))| \rightarrow \infty$ as $t \rightarrow \infty$ and such that

$$\limsup_{t \rightarrow \infty} \frac{|\arg(\gamma(t))|}{\log |\gamma(t)|} < \infty.$$

Remark 1. Any disjoint-type entire function that is real on the real axis has bounded slope. So does the counterexample to Eremenko's question constructed in [RRRS11], and, as far as we are aware, any specific example or family of entire functions whose dynamics has been considered in the past. Furthermore, suppose that f and g belong to the Eremenko-Lyubich class \mathcal{B} (see below) and that additionally g has bounded slope – for example, $g \in \mathcal{B}$ has finite order of growth, or is real on the real axis. Then $f \circ g$ also has bounded slope – regardless of the function-theoretic properties of f . For these reasons, the restriction is indeed rather mild.

Remark 2. We use “bounded slope” in this and the next section mainly for convenience, as it is an established property that is easy to define. However, in every one of these results, it can be replaced by a more technical, but far more general condition: having “anguine tracts” in the sense of Definition 7.1.

We can now state our main theorem: The possible Julia continua of disjoint-type entire functions of bounded slope are precisely the *arc-like continua having terminal points*. The class of arc-like continua is extremely rich (e.g., there are uncountably many pairwise non-homeomorphic arc-like continua) and has been studied intensively by topologists since the work of Bing [Bin51b] in the 1950s. A few examples of arc-like

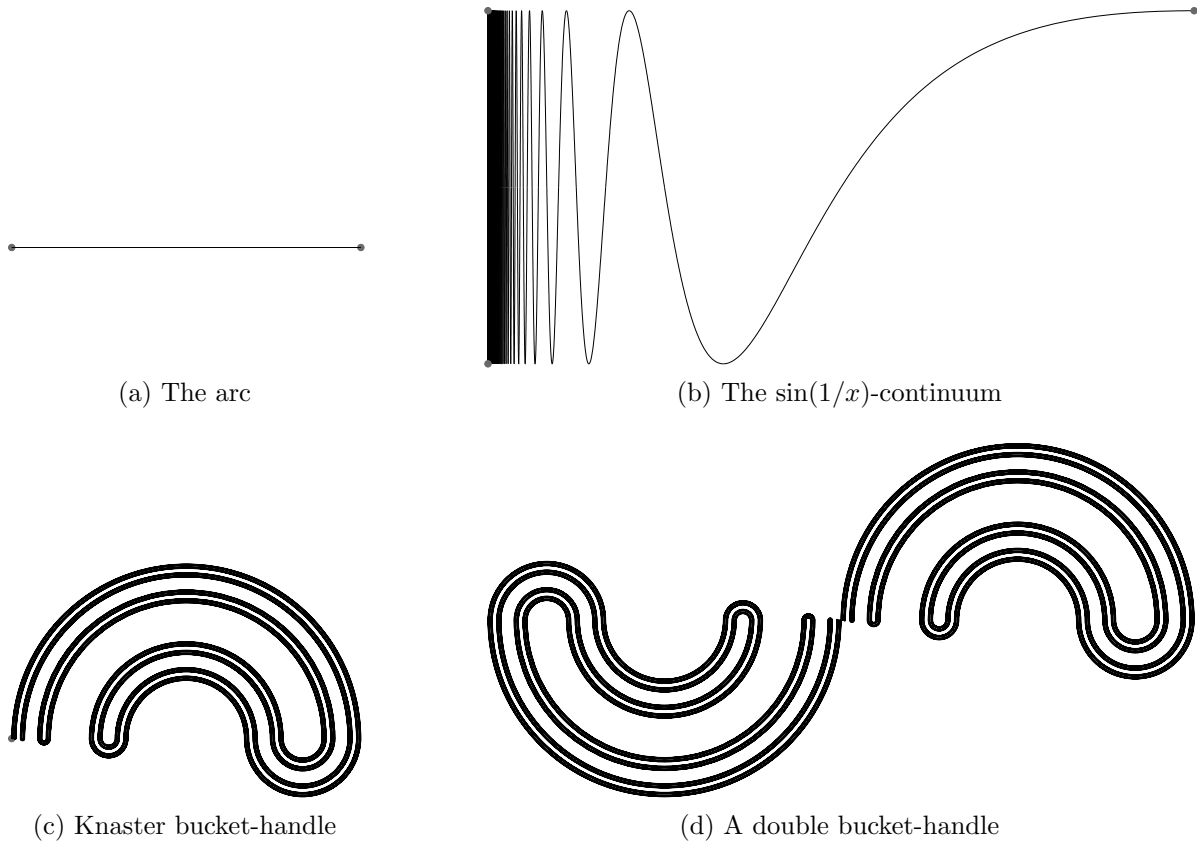


FIGURE 1. Some examples of arc-like continua; terminal points are marked by grey circles. (The numbers of terminal points in these continua are two, three, one and zero, respectively.)

continua and their terminal points are shown in Figure 1; for the formal definition and further discussion, see Definition 2.1 and Section 9 below.

1.3. Theorem (Topology of bounded-slope Julia continua).

Let \hat{C} be a Julia continuum of a disjoint-type entire function f of bounded slope. Then \hat{C} is arc-like and ∞ is a terminal point of \hat{C} .

Conversely, there exists a disjoint-type entire function f having bounded slope with the following property. If X is any arc-like continuum having a terminal point $x \in X$, then there exists a Julia continuum \hat{C} of f and a homeomorphism $\psi: X \rightarrow \hat{C}$ such that $\psi(x) = \infty$.

Let us remark on a striking property of the function f whose existence is asserted in Theorem 1.3. Suppose that $F_\lambda(x) = \lambda x(1-x)$ is a member of the famous *logistic family* of interval maps, for $\lambda \in [1, 4]$. Then the *inverse limit space* of F_λ – that is, the space of all backward orbits – is an arclike continuum having a terminal point (see Proposition 9.2). It is known [BBS12, Theorem 1.2] that the topology of this continuum determines F_λ up to a natural notion of conjugacy. Hence the topology of $J(f)$, for the

single disjoint-type function f , contains all information about the topological dynamics of all members of the logistic family.

In the case where f does not have bounded slope (or even “anguine tracts”), we obtain the following result.

1.4. Theorem (Topology of Julia continua).

Let \hat{C} be a Julia continuum of a disjoint-type entire function f . Then \hat{C} has span zero and ∞ is a terminal point of \hat{C} .

Here “span zero” is another famous concept from continuum theory; again see Definition 2.1. It is well-known [Lel64] that every arc-like continuum has span zero. A long-standing question, posed by Lelek [Lel71, Problem 1] in 1971 and featured on many subsequent problem lists in topology, asked whether every continuum with span zero must be arc-like. This would imply that Theorem 1.3 gives a complete classification of Julia continua. However, Hoehn [Hoe11] constructed a counterexample to Lelek’s problem in 2011. The conjecture does hold when the continuum in question is either *hereditarily decomposable* [Bin51b] or *hereditarily indecomposable* [HO16]; see Definition 3.13.

Since any Julia continuum different from those constructed in Theorem 1.3 would be of span zero but not arc-like, it would be of considerable topological interest. It is conceivable that one can construct a disjoint-type entire function having a Julia continuum of this type, thus yielding a new proof of Hoehn’s theorem mentioned above. We do not pursue this investigation here.

We prove a number of additional and more precise results, which are stated and discussed in Section 2. To conclude the introduction, we discuss the wider significance of the class of disjoint-type entire functions, and then mention two easily-stated important applications of our results and methods.

Significance of disjoint-type functions. In the study of dynamical systems, hyperbolic systems (also referred to as *Axiom A*, using Smale’s terminology) are those that exhibit the simplest behaviour; understanding the hyperbolic case is usually the first step in building a more general theory. Since entire functions of disjoint type are those hyperbolic functions that have the simplest combinatorial structure, their properties are of intrinsic interest, and their detailed understanding provides an important step towards understanding larger classes. However, our results also have direct consequences far beyond the disjoint-type case. Indeed, consider the *Eremenko-Lyubich class*

$$\mathcal{B} := \{f: \mathbb{C} \rightarrow \mathbb{C} \text{ transcendental entire: } S(f) \text{ is bounded}\}.$$

By definition, this class contains all hyperbolic functions, as well as the particularly interesting *Speiser class* \mathcal{S} of functions for which $S(f)$ is finite. We remark that, for $f \in \mathcal{B}$, always $I(f) \subset J(f)$ [EL92].

If $f \in \mathcal{B}$, then the map

$$(1.1) \quad f_\lambda: \mathbb{C} \rightarrow \mathbb{C}; \quad z \mapsto \lambda f(z)$$

is of disjoint type for sufficiently small λ [Rem09, §5, p. 261]. If additionally the original function f is hyperbolic, then by [Rem09, Theorem 5.2], the dynamics of f on its Julia set $J(f)$ can be obtained, via a suitable semi-conjugacy, as a quotient of that of f_λ on $J(f_\lambda)$. This result has been generalised, first by Mihaljević-Brandt [Mih12] and more recently by

Alhabib, Sixsmith and the author [ARS18] to important larger classes of entire functions (more precisely: geometrically finite entire functions whose local backward branches on the Julia set have uniformly bounded degree).

In each of these cases, the semi-conjugacy in question restricts to a homeomorphism on each connected component of $J(f_\lambda)$. Hence all of our results concerning the topology of Julia components for the disjoint-type function f_λ apply directly to the corresponding subsets of $J(f)$ also.

Furthermore, [BR17] introduces the notion of periodic “dreadlocks” – a generalisation of the above-mentioned “hairs” – for entire functions with bounded postsingular sets. This includes all hyperbolic functions, and more generally all geometrically finite entire functions. These dreadlocks promise to play an important role in the combinatorial study of class \mathcal{B} entire functions; indeed, they have already been used to prove the existence and uniqueness of (homotopy) Hubbard trees for general post-singularly finite entire functions [Pfr19]. Our results on disjoint-type Julia continua apply directly to (landing) dreadlocks; indeed, any periodic dreadlock together with its landing point is homeomorphic to a corresponding component of $J(f_\lambda)$, with f_λ from (1.1) of disjoint type.

Yet more generally, for any $f \in \mathcal{B}$, it is shown in [Rem09, Theorem 1.1] that f and the disjoint-type function f_λ have the same dynamics *near infinity*. It follows that our results, which apply *a priori* only to the disjoint-type function f_λ , also have interesting consequences for general $f \in \mathcal{B}$.

Two applications. A famous example of a continuum (i.e., a non-empty compact, connected metric space) that contains no arcs is provided by the *pseudo-arc* (see Definition 2.1). The pseudo-arc is the unique hereditarily indecomposable arc-like continuum and has the intriguing property of being homeomorphic to each of its non-degenerate subcontinua. Theorem 1.3 shows that the pseudo-arc can arise in the Julia set of a transcendental entire function; as far as we are aware, this is the first time that a dynamically defined subset of the Julia set of an entire or meromorphic function has been shown to be a pseudo-arc. In fact, we show even more:

1.5. Theorem (Pseudo-arcs in Julia sets).

There exists a disjoint-type entire function $f: \mathbb{C} \rightarrow \mathbb{C}$ such that, for every connected component C of $J(f)$, the set $C \cup \{\infty\}$ is a pseudo-arc.

Observe that this result sharpens the aforementioned [RRRS11, Theorem 8.4].

A further motivation for studying the topological dynamics of disjoint-type functions comes from a second question asked by Eremenko in [Ere89]: *Is every connected component of $I(f)$ unbounded?* This problem is now known as *Eremenko’s Conjecture*, and has remained open despite considerable attention. For disjoint-type maps, and indeed for any entire function with bounded postsingular set, it is known that the answer is positive [Rem07]. However, the disjoint-type case nonetheless has a role to play in the study of Eremenko’s Conjecture. Indeed, as discussed in [Rem09, Section 7], we may strengthen the question slightly by asking which entire functions have the following property:

- (UE) For all $z \in I(f)$, there is a connected and unbounded set $A \subset \mathbb{C}$ with $z \in A$ such that $f^n|_A \rightarrow \infty$ *uniformly*.

If there exists a counterexample f to Eremenko's Conjecture in the class \mathcal{B} , then clearly f cannot satisfy property (UE). In this case, it follows from [Rem09, p. 265] that (UE) fails for *every* map of the form $f_\lambda := \lambda f$. As noted above, f_λ is of disjoint type for λ sufficiently small, so we see that any counterexample $f \in \mathcal{B}$ would need to be closely related to a disjoint-type function for which (UE) fails. The author suggested in [Rem07, Rem09] that it might be possible to construct such an example; in this article we realise this construction for the first time. Indeed, as we discuss in more detail in the next section, there is a surprisingly close relationship between the topology of the Julia set and the existence of points $z \in I(f)$ for which (UE) fails. Hence our results allow us to give a good description of the circumstances in which such points exist at all, which is likely to be important in any attempt to resolve Eremenko's Conjecture. In particular, we can prove the following, which considerably strengthens the examples alluded to in [Rem07, Rem09].

1.6. Theorem (Non-uniform escape to infinity).

There is a disjoint-type entire function f and an escaping point $z \in I(f)$ with the following property. If $A \subset I(f)$ is connected and $\{z\} \subsetneq A$, then

$$\liminf_{n \rightarrow \infty} \inf_{\zeta \in A} |f^n(\zeta)| < \infty.$$

2. FURTHER DISCUSSION AND RESULTS

In this section, we state and discuss further and more detailed results about the properties of Julia continua, going beyond those mentioned in the introduction. Let us begin by providing the formal definition of the concepts from continuum theory that have already been mentioned.

2.1. Definition (Terminal points; span zero; arc-like continua).

Let X be a continuum; i.e. X is a non-empty compact, connected metric space.

- (a) A point $x \in X$ is called a *terminal point* of X if, for any two subcontinua $A, B \subset X$ with $x \in A \cap B$, either $A \subset B$ or $B \subset A$.
- (b) X is said to have *span zero* if, for any subcontinuum $\mathcal{A} \subset X \times X$ whose first and second coordinates both project to the same subcontinuum $A \subset X$, \mathcal{A} must intersect the diagonal. (I.e., if $\pi_1(\mathcal{A}) = \pi_2(\mathcal{A})$, then there is $x \in X$ such that $(x, x) \in \mathcal{A}$.)
- (c) A non-degenerate continuum X is said to be *arc-like* if, for every $\varepsilon > 0$, there exists a continuous function $g: X \rightarrow [0, 1]$ such that $\text{diam}(g^{-1}(t)) < \varepsilon$ for all $t \in [0, 1]$.
- (d) X is called a *pseudo-arc* if X is arc-like and also *hereditarily indecomposable* (i.e., every point of X is terminal).

For the benefit of those readers who have not encountered these concepts before, let us make a few comments regarding their meaning.

- (1) One should think of terminal points as a natural analogue of the endpoints of an arc. However, as the example of the pseudo-arc shows, a continuum may contain far more than two terminal points.

We remark that there are several different and inequivalent notions of “terminal points” in use in continuum theory. The above definition can be found e.g. in [Fug66, Definition 3], and differs, in particular, from that of Miller [Mil50, p. 131]. On the other hand, the distinction is not essential for our purposes, since both notions coincide for the types of continua studied in this paper.

- (2) Roughly speaking, X has span zero if two points cannot exchange their position by travelling within X without meeting somewhere.
- (3) Intuitively, a continuum is arc-like if it looks like an arc when viewed at arbitrarily high, but finite, precision. As we discuss in Section 9, there are a number of equivalent definitions, the most important of which is that X is arc-like if and only if it can be written as an inverse limit of arcs with surjective bonding maps.
- (4) Any two pseudo-arcs, as defined above, are homeomorphic [Bin51a, Theorem 1]; for this reason, we also speak about *the pseudo-arc*. We refer to Exercise 1.23 in [Nad92] for a construction that shows the existence of such an object, the introduction to Section 12 in the same book for a short history, and to [Lew99] for a survey of further results.

Nonescaping points and accessible points. Recall that Theorems 1.3 and 1.4 give an almost complete description of the possible topology of Julia continua. Let us now turn to the behaviour of points in a Julia continuum $\hat{C} = C \cup \{\infty\}$ under iteration. In the case of disjoint-type sine (or exponential) maps, and indeed for any disjoint-type entire function of finite order, each component C of the Julia set is an arc and contains at most one point that does not tend to infinity under iteration, namely the finite endpoint of C . Furthermore, this finite endpoint is always accessible from the Fatou set of f ; no other point can be accessible from $F(f)$. (Compare [DG87].) This suggests the following questions:

- (a) Can a Julia continuum contain more than one nonescaping point?
- (b) Is every nonescaping point accessible from $F(f)$?
- (c) Does every Julia continuum contain a point that is accessible from $F(f)$? This question is raised in [BK07, p. 393], where the authors prove that the answer is positive when a certain growth condition is imposed on the external address (see Definition 3.6) of the component C .

To answer these questions, we require one more topological concept.

2.2. Definition (Irreducibility).

Let X be a continuum, and let $x_0, x_1 \in X$. We say that X is *irreducible* between x_0 and x_1 if no proper subcontinuum of X contains both x_0 and x_1 .

We shall apply this notion only in the case where x_0 and x_1 are terminal points of X . In this case, irreducibility of X between x_0 and x_1 means that, in some sense, the points x_0 and x_1 lie “on opposite ends” of X . For example, the $\sin(1/x)$ -continuum of Figure 1(b) is irreducible between the terminal point on the right of the image and either of the two terminal points on the left, but not between the latter two (since the limiting interval is a proper subcontinuum containing both).

2.3. Theorem (Nonescaping and accessible points).

Let \hat{C} be a Julia continuum of a disjoint-type entire function f . Any nonescaping point z_0 in \hat{C} is a terminal point of \hat{C} , and \hat{C} is irreducible between z_0 and ∞ . The same is true for any point $z_0 \in \hat{C}$ that is accessible from $F(f)$.

Furthermore, the set of nonescaping points in \hat{C} has Hausdorff dimension zero. On the other hand, there exist a disjoint-type function having a Julia continuum for which the set of nonescaping points is a Cantor set and a disjoint-type function having a Julia continuum that contains a dense set of nonescaping points.

A Julia continuum contains at most one accessible point (see Theorem 5.10), so the two functions whose existence is asserted in Theorem 2.3 must have nonescaping points that are not accessible from $F(f)$. Furthermore, we can apply Theorem 1.3 to the bucket-handle continuum of Figure 1(c), which has only a single terminal point. Hence the corresponding Julia continuum \hat{C} (which, as discussed below, can be chosen such that the iterates do not converge uniformly to infinity on C) contains neither nonescaping nor accessible points. In particular, this answers the question of Barański and Karpińska.

We remark that it is also possible to construct an inaccessible Julia continuum that *does* contain a finite terminal point z_0 . Indeed, we shall see that the examples mentioned in the second half of the preceding theorem must have this property (compare the remark after Theorem 5.10). Alternatively, such an example could be achieved by ensuring that the continuum is embedded in the plane in such a way that z_0 is not accessible from the complement of \hat{C} (see Figure 2); we do not discuss the details here.

Bounded-address and periodic Julia continua. We now turn our attention to the different types of dynamics that f can exhibit on a Julia continuum. In Theorem 1.3, we saw that, given any arc-like continuum X having a terminal point, there are a disjoint-type function f and a Julia continuum \hat{C} of f such that \hat{C} is homeomorphic to X . We shall see that it is possible to choose $\hat{C} = C \cup \{\infty\}$ either such that $f^n|_C \rightarrow \infty$ uniformly, or such that $\min_{z \in C} |f^n(z)| < R$ for some $R > 0$ and infinitely many n . However, our construction will always lead to continua with $\limsup_{n \rightarrow \infty} \min_{z \in C} |f^n(z)| = \infty$. In particular, the Julia continuum cannot be periodic.

Periodic points, and periodic continua consisting of escaping points, play a crucial role in complex dynamics. Hence it is interesting to consider when we can improve on the preceding results, in the following sense.

2.4. Definition (Periodic and bounded-address Julia continua).

Let $\hat{C} = C \cup \{\infty\}$ be a Julia continuum of a disjoint-type function f . We say that \hat{C} is *periodic* if $f^n(C) = C$ for some $n \geq 1$.

We also say that \hat{C} has *bounded address* if there is $R > 0$ such that, for every $n \in \mathbb{N}$, there exists a point $z \in C$ such that $|f^n(z)| \leq R$.

Upon reflection, it becomes evident that not every arc-like continuum X having a terminal point can arise as a Julia continuum with bounded address. Indeed, it is well-known that every Julia continuum \hat{C} at bounded address contains a unique point with a bounded orbit, and hence that every periodic Julia continuum contains a periodic point. (See Proposition 3.10.) In particular, by Theorem 2.3, \hat{C} contains some terminal

point z_0 such that \hat{C} is irreducible between z_0 and ∞ . So if X is an arc-like continuum that does not contain two terminal points between which X is irreducible (such as the Knaster bucket-handle), then X cannot be realised by a bounded-address Julia continuum. It turns out that this is the only restriction.

2.5. Theorem (Classification of bounded-address Julia continua).

There exists a disjoint-type entire function f having bounded slope with the following property.

Let X be an arc-like continuum, and let $x_0, x_1 \in X$ be two terminal points between which X is irreducible. Then there is a Julia continuum \hat{C} of f with bounded address and a homeomorphism $\psi: X \rightarrow \hat{C}$ such that $\psi(x_0)$ has bounded orbit under f and such that $\psi(x_1) = \infty$.

We also observe that not every continuum X as in Theorem 2.5 can occur as a periodic Julia continuum. Indeed, if \hat{C} is a periodic Julia continuum, then $f^p: \hat{C} \rightarrow \hat{C}$ is a homeomorphism, where p is the period of \hat{C} , and f^p is extended to \hat{C} by setting $f^p(\infty) = \infty$. Furthermore, all points of \hat{C} but one tend to ∞ under iteration by f^p . However, if X is, say, the $\sin(1/x)$ -continuum from Figure 1, then every self-homeomorphism of X must map the limiting interval on the left to itself. Hence there cannot be any periodic Julia continuum \hat{C} that is homeomorphic to X . The correct class of continua for this setting was discussed by Rogers [Rog70] in 1970.

2.6. Definition (Rogers continua).

Let X be homeomorphic to the inverse limit of a surjective continuous self-map h of the interval $[0, 1]$ with $h(t) < t$ for $0 < t < 1$, and let x_0 and x_1 denote the points of X corresponding to $0 \leftarrow 0 \leftarrow 0 \dots$ and $1 \leftarrow 1 \leftarrow \dots$. Then we shall say that X is a *Rogers continuum* (from x_0 to x_1).

Remark. The *inverse limit* generated by h is the space of all backward orbits of h , equipped with the product topology (Definition 3.15).

2.7. Theorem (Periodic Julia continua).

Let X be a continuum and let $x_0, x_1 \in X$. Then the following are equivalent:

- (a) *X is a Rogers continuum from x_0 to x_1 .*
- (b) *There exists a disjoint-type entire function f of bounded slope, a periodic Julia continuum \hat{C} of f , say of period p , and a homeomorphism $\psi: X \rightarrow \hat{C}$ such that $f^p(\psi(x_0)) = \psi(x_0)$ and $\psi(x_1) = \infty$.*

Remark 1. Both Theorem 2.5 and the combination of Theorems 1.3 and 1.4 can be stated in the following form: *Any (resp. any bounded-address) Julia continuum (whether arc-like or not) has a certain intrinsic topological property \mathcal{S} , and any arc-like continuum with property \mathcal{S} can be realised as a Julia continuum (resp. bounded-address Julia continuum) of a disjoint-type, bounded-slope entire function.* Rogers's result in [Rog70] gives such a description also for Theorem 2.7, assuming additionally that X is decomposable. It is an interesting question whether this can be achieved also in the indecomposable case, although we note that there is no known intrinsic topological description of those arc-like continua that can be written as an inverse limit with a single bonding map.

Remark 2. Another difference between Theorem 2.7 and Theorems 1.3 and 2.5 is that not all Rogers continua can be realised by the same function. Indeed, it can be shown that there are uncountably many pairwise non-homeomorphic Rogers continua, while the set of periodic Julia continua of any given function is countable.

Remark 3. By a classical result of Henderson [Hen64], the pseudo-arc is a Rogers continuum (where x_0 and x_1 can be taken as any two points between which it is irreducible). Hence we see from Theorem 2.7 that it can arise as an invariant Julia continuum of a disjoint-type entire function. It follows from the nature of our construction in the proof of Theorem 2.7 that, in this case, *all* Julia continua are pseudo-arcs (see Corollary 8.7), establishing Theorem 1.5 as stated in the introduction.

(Non-)uniform escape to infinity. We now return to the question of rates of escape to infinity, and the “uniform Eremenko property” (UE). Recall that by Theorem 1.3 it is possible to construct a Julia continuum \hat{C} that contains no finite terminal points, and hence has the property that $C \subset I(f)$ by Theorem 2.3. Also recall that we can choose \hat{C} in such a way that the iterates of f do not tend to infinity uniformly on C . This easily implies that there is some point in C for which the property (UE) fails.

To study this type of question in greater detail, we introduce the following natural definition.

2.8. Definition (Escaping composants).

Let f be a transcendental entire function, and let $z \in I(f)$. The *escaping component* $\mu(z)$ is the union of all connected sets $A \ni z$ such that $f^n|_A \rightarrow \infty$ uniformly.

We also define $\mu(\infty)$ to be the union of all unbounded connected sets A such that $f^n|_A \rightarrow \infty$ uniformly.

With this definition, property (UE) requires precisely that $I(f) = \mu(\infty)$. For a disjoint-type entire function, it makes sense to study this property separately for each Julia continuum \hat{C} ; i.e. to ask whether all escaping points in \hat{C} belong to $\mu(\infty)$. Clearly this is the case by definition when $f^n \rightarrow \infty$ uniformly on $C = \hat{C} \setminus \{\infty\}$. Otherwise, it turns out that there is a close connection between the above question and the topology of \hat{C} . Recall that the (*topological*) *composant* of a point x_0 in a continuum X is the union of all proper subcontinua of X containing x_0 . The topological composant of ∞ in a Julia continuum \hat{C} is always a proper subset of \hat{C} , since ∞ is a terminal point.

2.9. Theorem (Topological composants and escaping composants).

Let $\hat{C} = C \cup \{\infty\}$ be a Julia continuum of a disjoint-type entire function, and suppose that $f^n|_C$ does not tend to infinity uniformly. Then the topological composant of ∞ in \hat{C} is given by $\{\infty\} \cup (\mu(\infty) \cap C)$.

If \hat{C} is periodic, then \hat{C} is indecomposable if and only if $C \cap I(f) \setminus \mu(\infty) \neq \emptyset$ (that is, if C contains an escaping point for which property (UE) fails).

Any indecomposable continuum has uncountably many composants, all of which are pairwise disjoint. Hence we see that complicated topology of non-uniformly escaping Julia continua automatically leads to the existence of points that cannot be connected to infinity by a set that escapes uniformly. However, our proof of Theorem 1.3 also allows

us to construct Julia continua that have very simple topology, but nonetheless contain points in $I(f) \setminus \mu(\infty)$.

2.10. Theorem (A one point escaping component).

There exists a disjoint-type entire function f and a Julia continuum $\hat{C} = C \cup \{\infty\}$ of $J(f)$ such that:

- (a) \hat{C} is an arc, with one finite endpoint z_0 and one endpoint at ∞ ;
- (b) $C \subset I(f)$, but $\liminf_{n \rightarrow \infty} \min_{z \in C} |f^n(z)| < \infty$. In particular, there is no non-degenerate connected set $A \ni z_0$ on which the iterates escape to infinity uniformly.

Observe that this implies Theorem 1.6.

Number of tracts and singular values. So far, we have not said much about the nature of the functions f that occur in our examples, except that they are of disjoint type. Using recent results of Bishop [Bis15a, Bis15b, Bis17], we can say considerably more:

2.11. Theorem (Class \mathcal{S} and number of tracts).

All examples of disjoint-type entire functions f mentioned in the introduction and in this section can be constructed in such a way that f has exactly two critical values and no finite asymptotic values, and such that all critical points of f have degree at most 16.

Furthermore, with the exception of Theorem 2.5, the function f can be constructed such that

$$\mathcal{T}_R := f^{-1}(\{z \in \mathbb{C} : |z| > R\})$$

is connected for all R . In Theorem 2.5, the function f can be constructed so that \mathcal{T}_R has exactly two connected components for sufficiently large R .

Remark 1. On the other hand, if \mathcal{T}_R is connected for all R , then it turns out that every Julia continuum at a bounded address is homeomorphic to a periodic Julia continuum (Proposition 8.1). Hence it is indeed necessary to allow \mathcal{T}_R to have two components in Theorem 2.5.

Remark 2. The bound of 16 on the degree of critical points can be reduced to 4 by modifying Bishop's construction; compare Remark 15.2

As pointed out in [BFR14], this leads to an interesting observation. By Theorem 2.11, the function f from Theorem 1.5 can be constructed such that $\#S(f) = 2$, such that f has no asymptotic values and such that all critical points have degree at most 16. Let v_1 and v_2 be the critical values of f , and let c_1 and c_2 be critical points of f over v_1 resp. v_2 . Let $A: \mathbb{C} \rightarrow \mathbb{C}$ be the affine map with $A(v_1) = c_1$ and $A(v_2) = c_2$. Then the function $g := f \circ A$ has super-attracting fixed points at v_1 and v_2 . By the results from [Rem09] discussed earlier, the Julia set $J(g)$ contains uncountably many invariant subsets for each of which the one-point compactification is a pseudo-arc. On the other hand, $J(g)$ is locally connected by [BFR14, Corollary 1.9]. Hence we see that, in contrast to the polynomial case, local connectivity of Julia sets does not imply simple topological dynamics, even for hyperbolic functions. Compare [Roe08] for a similar phenomenon in the case of (albeit non-hyperbolic) rational maps.

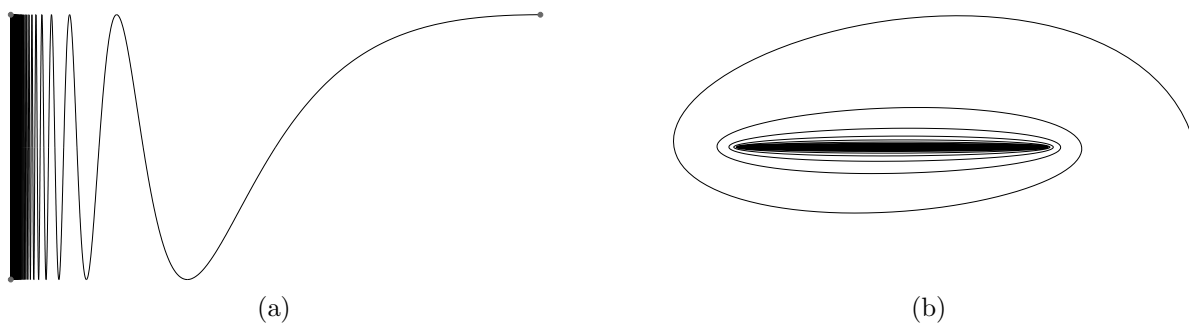


FIGURE 2. Two embeddings of the $\sin(1/x)$ -continuum that are not ambiently homeomorphic

Embeddings. Given an arc-like continuum X , there are usually different ways to embed X in the Riemann sphere $\hat{\mathbb{C}}$. That is, there might be continua $C_1, C_2 \subset \hat{\mathbb{C}}$ such that X is homeomorphic to C_1 and C_2 , but such that no homeomorphism $\hat{\mathbb{C}} \rightarrow \hat{\mathbb{C}}$ can map C_1 to C_2 . (That is, C_1 and C_2 are not *ambiently* homeomorphic.) Our construction in the proof of Theorem 1.3 is rather flexible, and we could indeed use it to construct different Julia continua that are homeomorphic but not *ambiently* homeomorphic. In particular, as briefly mentioned already in the discussion of results concerning accessibility, it would be possible to construct a Julia continuum \hat{C} that is homeomorphic to the $\sin(1/x)$ -continuum, and such that the limiting arc is not accessible from the complement of \hat{C} . (See Figure 2).

It is easy to see that, for a disjoint-type entire function which has bounded slope, every Julia continuum can be covered by a *chain* with arbitrarily small links such that every link is a connected subset of the Riemann sphere. (For the definition of a chain, compare the remark after Proposition 9.2.) It is well-known [Bin51b, Example 3] that there are embeddings of arc-like continua without this property. It is natural to ask whether this is the only restriction on the continua that can arise by our construction, but we shall defer this and similar problems to future investigations.

Structure of the article. In Section 3, we collect background on the dynamics of disjoint-type entire functions. In particular, we review the *logarithmic change of variable*, which is used throughout the remainder of the paper. We also recall some basic facts from the theory of continua. Section 4 discusses a general conjugacy principle between expanding inverse systems, which will be useful throughout. Following these preliminaries, the article essentially splits into two parts, which can largely be read independently of each other:

- *General topology of Julia continua.* We first study general properties of Julia continua of disjoint-type entire functions. More precisely, in Section 5 we show that each such continuum has span zero, and prove the various results concerning terminal points stated earlier; in particular, we establish Theorem 1.4. In Section 6, we investigate the structure of escaping composants. Section 7 studies conditions under which all Julia continua are arclike, and establishes one half of Theorem 2.7. Finally, Section 8 shows that, in certain circumstances, different Julia continua

are homeomorphic to each other. These results show that our constructions in the second part of the paper are optimal in a certain sense, and are also used in the proof of Theorem 1.5.

- *Constructing prescribed Julia continua.* The second part of the paper is concerned with constructions that allow us to find entire functions having prescribed arc-like Julia continua, as outlined in the theorems stated in the introduction and the present section. We review topological background on arc-like continua in Section 9 and, in Section 10, give a detailed proof of a slightly weaker version of Theorem 1.3 (where the function f is allowed to depend on the arc-like continuum in question). Section 11 applies this general construction to obtain the examples from Theorems 1.6, 2.10 and 2.3, and the proof of Theorem 1.3 is completed in Section 12. Section 13 discusses the modification of the construction from Section 10 necessary to obtain bounded-address continua for Theorem 2.5. Section 14 contains the proofs of Theorems 2.7 and 1.5. Finally, we briefly discuss how to modify the constructions to obtain Theorem 2.11 (Section 15).

Basic notation. As usual, we denote the complex plane by \mathbb{C} and the Riemann sphere by $\hat{\mathbb{C}}$. We also denote the unit disk by \mathbb{D} and the right half-plane by \mathbb{H} . All boundaries and closures of plane sets will be understood to be taken in \mathbb{C} , unless explicitly noted otherwise.

We shall also continue to use the notations introduced throughout Sections 1 and 2. In particular, the Fatou, Julia and escaping sets of an entire function are denoted by $F(f)$, $J(f)$ and $I(f)$, respectively. Euclidean distance is denoted by dist .

In order to keep the paper accessible to readers with a background in either continuum theory or transcendental dynamics, but not necessarily both, we aim to introduce all notions and results required from either area. For further background on transcendental iteration theory, we refer to [Ber93]. For a wealth of information on continuum theory, including the material treated here, we refer to [Nad92]. In particular, a detailed treatment of arc-like continua can be found in [Nad92, Chapter 12].

We shall assume that the reader is familiar with plane hyperbolic geometry; see e.g. [BM07]. If $U \subset \mathbb{C}$ is simply-connected, then we denote the density of the hyperbolic metric by $\rho_U: U \rightarrow (0, \infty)$. In particular, we shall frequently use the *standard estimate* on the hyperbolic metric in a simply-connected domain [BM07, Theorems 8.2 and 8.6]:

$$(2.1) \quad \frac{1}{2 \text{dist}(z, \partial U)} \leq \rho_U(z) \leq \frac{2}{\text{dist}(z, \partial U)}.$$

If U is disjoint from its translates by integer multiples of $2\pi i$, then $\text{dist}(z, \partial U) \leq \pi$ for all $z \in U$. Thus (2.1) yields what we shall call the *standard bound for logarithmic tracts*:

$$(2.2) \quad \rho_U(z) \geq \frac{1}{2\pi}.$$

We also denote hyperbolic diameter in U by diam_U , and hyperbolic distance by dist_U . Furthermore, the derivative of a holomorphic function f with respect to the hyperbolic metric is denoted by $\|Df(z)\|_U$. (Note that this is defined whenever $z, f(z) \in U$.)

Acknowledgements. I am extremely grateful to Mashael Alhamd, Patrick Comdühr, Alexandre DeZotti, Leticia Pardo Simón, Dave Sixsmith and Stephen Worsley for the careful reading of the manuscript and many thoughtful comments, questions and suggestions for improvement. I would also like to thank Anna Benini, Chris Bishop, Clinton Curry, Toby Hall, Daniel Meyer, Phil Rippon and Gwyneth Stallard for interesting and stimulating discussions regarding the reported research.

3. PRELIMINARIES

Disjoint-type entire functions. Let $f: \mathbb{C} \rightarrow \mathbb{C}$ be a transcendental entire function. Recall that f is said to be of *disjoint type* if it is hyperbolic with connected Fatou set. As far as we are aware, this class of functions was first studied by Barański and Karpińska [BK07]. The material in this section is not new, but is taken from different papers with sometimes conflicting notation. For this reason we give a consistent account tailored to our purposes; we include (sketches of) proofs where these are relevant for the applications that follow.

The following (see [BK07, Lemma 3.1] or [Mih12, Proposition 2.8]) provides an alternative definition, which is the one that we shall work with.

3.1. Proposition (Characterization of disjoint-type functions).

A transcendental entire function $f: \mathbb{C} \rightarrow \mathbb{C}$ is of disjoint type if and only if there exists a bounded Jordan domain D with $S(f) \subset D$ and $f(\overline{D}) \subset D$.

Let f be of disjoint type, and consider the domain $W := \mathbb{C} \setminus \overline{D}$, with D as in Proposition 3.1. Since $S(f) \cap W = \emptyset$, if V is any connected component of $\mathcal{V} := f^{-1}(W)$, then $f: V \rightarrow W$ is a covering map. These components are called the *tracts* of f (over ∞). Note that the disjoint-type condition implies that the boundaries ∂W and $\partial \mathcal{V}$ are disjoint; this is the reason for our choice of terminology.

Since f is transcendental, it follows from the classification of covering maps of the punctured disc [For99, Theorem 5.10] that every tract V is simply-connected and unbounded, and that $f: V \rightarrow W$ is a universal covering map. Observe that a slightly smaller domain \tilde{D} (with closure contained in D) still satisfies the conclusions of Proposition 3.1. Applying the above observations to \tilde{D} and the resulting collection of tracts $\tilde{\mathcal{V}}$, we can deduce that the boundary of any connected component V of \mathcal{V} is the preimage of the simple closed curve ∂D under a universal covering map. Hence V is an *unbounded Jordan domain*, i.e. a simply-connected domain whose boundary in $\hat{\mathbb{C}}$ is a simple closed curve passing through ∞ . Furthermore, different tracts have disjoint closures, as every component of the open set $\tilde{\mathcal{V}}$ contains the closure of exactly one tract V . Furthermore, any compact set K intersects at most finitely many tracts (since $\tilde{\mathcal{V}}$ is an open cover of $K \cap \overline{\mathcal{V}}$).

The following characterises the Julia set of a disjoint-type entire function; for readers who are unfamiliar with transcendental dynamics, it may alternatively serve as the *definition* of the Julia set in this setting.

3.2. Proposition (Julia sets).

If f is of disjoint type and D is as in Proposition 3.1, then

$$J(f) = \{z \in \mathbb{C}: f^n(z) \notin \overline{D} \text{ for all } n \geq 0\}.$$

Proof. Since f is hyperbolic and of disjoint type, $F(f)$ is the immediate basin of attraction of a fixed point p . Since $f(\overline{D}) \subset D$, we have $\overline{D} \subset F(f)$ and $p \in D$. Thus a point z belongs to $F(f)$ if and only if its orbit eventually enters \overline{D} , as claimed. ■

The logarithmic change of variable. Following Eremenko and Lyubich, we study f using the *logarithmic change of variable* [EL92, Section 2]. To this end, let us assume for simplicity that $0 \in D$, which can always be achieved by conjugating f with a translation. Set $H := \exp^{-1}(W)$ and $\mathcal{T} := \exp^{-1}(\mathcal{V})$. Since $0 \notin W \supset \mathcal{V}$, and since f is a universal covering on each tract, there is a holomorphic function $F: \mathcal{T} \rightarrow H$ such that $f \circ \exp = \exp \circ F$. We may choose this map F to be $2\pi i$ -periodic, in which case we refer to it as a *logarithmic transform* of f .

This representation is extremely convenient: for every component T of \mathcal{T} , the map $F: T \rightarrow H$ is a conformal isomorphism, rather than a universal covering map as in the original coordinates. This makes it much easier to consider inverse branches. From now on, we shall always study the logarithmic transform of f . In fact, it is rather irrelevant for further considerations that the map F has arisen from a globally defined entire function. This leads us to work in the following greater generality from now on.

3.3. Definition (The classes \mathcal{B}_{\log} and $\mathcal{B}_{\log}^{\text{p}}$ [Rem09, RRRS11]).
The class \mathcal{B}_{\log} consists of all holomorphic functions

$$F: \mathcal{T} \rightarrow H,$$

where F , \mathcal{T} and H have the following properties:

- (a) H is a $2\pi i$ -periodic unbounded Jordan domain that contains a right half-plane.
- (b) $\mathcal{T} \neq \emptyset$ is $2\pi i$ -periodic and $\text{Re } z$ is bounded from below in \mathcal{T} , but unbounded from above.
- (c) Every connected component T of \mathcal{T} is an unbounded Jordan domain that is disjoint from all its $2\pi i\mathbb{Z}$ -translates. For each such T , the restriction $F: T \rightarrow H$ is a conformal isomorphism whose continuous extension to the closure of T in $\hat{\mathbb{C}}$ satisfies $F(\infty) = \infty$, and whose inverse we denote by $F_T^{-1} := (F|_T)^{-1}$. Each such component T is called a *tract* of F .
- (d) The tracts of F have pairwise disjoint closures and accumulate only at ∞ ; i.e., if $z_n \in \mathcal{T}$ is a sequence of points all belonging to different tracts of F , then $z_n \rightarrow \infty$.

If furthermore F is $2\pi i$ -periodic, then we say that F belongs to the class $\mathcal{B}_{\log}^{\text{p}}$. If $\overline{\mathcal{T}} \subset H$, then we say that F is of *disjoint type*. If $F \in \mathcal{B}_{\log}$ is of disjoint type, then the *Julia set* and *escaping set* of F are defined by

$$\begin{aligned} J(F) &:= \{z \in H: F^n(z) \text{ is defined for all } n \geq 0\} \\ &= \bigcap_{n \geq 0} F^{-n}(\overline{\mathcal{T}}) \quad \text{and} \\ I(F) &:= \{z \in J(F): \text{Re } F^n(z) \rightarrow \infty \text{ as } n \rightarrow \infty\}. \end{aligned}$$

Remark 1. If $F \in \mathcal{B}_{\log}$ has disjoint type, then, by conjugation with an isomorphism $H \rightarrow \mathbb{H}$ that commutes with translation by $2\pi i$, we obtain a disjoint-type function $G \in \mathcal{B}_{\log}$ that is conformally conjugate to F and whose range is the right half-plane \mathbb{H} . It is not difficult to see that all geometric properties discussed in this paper, such as

bounded slope, are invariant under this transformation. Hence we could always assume that $H = \mathbb{H}$ in the following; this is the approach taken by Barański and Karpińska [BK07, Section 3]. However, we prefer to work directly with the above more general class, which retains a more direct connection to the original entire functions.

Remark 2. Observe that the final condition (d) can be equivalently rephrased as follows:

- (d') The tracts of F have pairwise disjoint closures. Furthermore, for every $R > 0$, there are only finitely many tracts of F , up to translations by integer multiples of $2\pi i$, that intersect the vertical line at real part R .

In view of the preceding remark, we record the following observation, which will be used a number of times in the article.

3.4. Observation (Points to the left of a given line).

Let $F: \mathcal{T} \rightarrow H$ in \mathcal{B}_{\log} be of disjoint type. Then for every $R > 0$, there exists a constant $\Delta > 0$ with the following property.

Let T be a tract of F , let $T_{>R}$ be the unbounded connected component of the set $\{z \in T: \operatorname{Re} z > R\}$, and write $T_{\leq R} := T \setminus T_{>R} \supset \{z \in T: \operatorname{Re} z \leq R\}$. Then $T_{\leq R}$ has diameter at most Δ , both in the Euclidean metric and in the hyperbolic metric of H .

Furthermore, for every $R > 0$ there is $M > 0$ such that, for every $z \in H$:

$$\operatorname{diam}_H(\{w \in \mathcal{T}: |z - w| \leq R\}) \leq M.$$

Proof. Let us fix $R > 0$. For a fixed tract T , the set $T_{\leq R}$ is compactly contained in H , and hence has finite Euclidean and hyperbolic diameter. Clearly $\tilde{T}_{\leq R}$ has the same diameter as $T_{\leq R}$ if \tilde{T} is a $2\pi i\mathbb{Z}$ -translations of T . By property (d') above, up to translations from $2\pi i\mathbb{Z}$, there are only finitely many tracts for which $T_{\leq R} \neq \emptyset$. This proves the first claim.

Furthermore, since $\overline{\mathcal{T}} \subset H$, and both \mathcal{T} and H are $2\pi i$ -periodic, $\operatorname{dist}(z, \partial H)$ is uniformly bounded on \mathcal{T} . By the standard estimate (2.1), the density $\rho_H(z)$ is bounded from above, and the second claim follows. ■

Any logarithmic transform F of a disjoint-type entire function, as described above, belongs to the class $\mathcal{B}_{\log}^{\text{p}}$ and has disjoint type. The following theorem, which follows from recent ground-breaking work of Bishop [Bis15b, Bis17] together with the results of [Rem09], shows essentially that the converse also holds.

3.5. Theorem (Realisation of disjoint-type models).

Let $G \in \mathcal{B}_{\log}^{\text{p}}$ be of disjoint type and let g be defined by $g(\exp(z)) = \exp(G(z))$. Then there exists a disjoint-type function $f \in \mathcal{B}$ such that $f|_{J(f)}$ is topologically (and, in fact, quasiconformally) conjugate to $g|_{\exp(J(G))}$.

Furthermore, there is a disjoint-type function $\tilde{f} \in \mathcal{S}$ such that every connected component of $J(G)$ is homeomorphic to a connected component of $J(\tilde{f})$ (but not necessarily vice-versa). The function \tilde{f} may be chosen to have exactly two critical values, no asymptotic values, and no critical points of degree greater than 12.

Proof. The first statement is [Bis15b, Theorem 1.2], which is a consequence of Theorem 1.1 in the same paper and [Rem09, Theorem 3.1]. The second statement is [Bis17, Theorem 1.5], which similarly follows from [Bis17, Theorem 1.2] and [Rem09]. ■

Hence, in order to construct the examples of disjoint-type entire functions described in Sections 1 and 2, apart from the more precise statement in Theorem 2.11, it will be sufficient to construct functions in the class \mathcal{B}_{\log}^p with the analogous properties. (With some extra care, the construction of these examples in the class \mathcal{B} could also be carried out using the earlier approximation result in [Rem13, Theorem 1.9], rather than the results of [Bis15b].) By nature of the construction, the approximation will also preserve certain geometric properties, such as the bounded-slope condition; compare Remark 7.3.

The same examples can be constructed in the class \mathcal{S} using the second half of the above theorem, but in this case the entire functions will generally acquire additional tracts when compared with the original \mathcal{B}_{\log}^p models. (More precisely, they will have twice as many tracts as the original model.) In order to construct functions in the class \mathcal{S} with the number of tracts stated in Theorem 2.11, we shall instead use Bishop's more precise methods in [Bis15a] in Section 15.

The combinatorics of Julia continua. Let $F \in \mathcal{B}_{\log}^p$ be of disjoint type. The tracts of F and their iterated preimages provide successively finer partitions of $J(F)$, leading to a natural notion of symbolic dynamics as follows.

3.6. Definition (External addresses and Julia continua).

Let $F \in \mathcal{B}_{\log}$ have disjoint type. An *external address* of F is a sequence $\underline{s} = T_0 T_1 T_2 \dots$ of tracts of F .

If \underline{s} is such an external address, then we define

$$\begin{aligned} J_{\underline{s}}(F) &:= \{z \in J(F) : F^n(z) \in T_n \text{ for all } n \geq 0\} \\ &= \{z \in J(F) : F^n(z) \in \overline{T_n} \text{ for all } n \geq 0\}, \\ \hat{J}_{\underline{s}}(F) &:= J_{\underline{s}}(F) \cup \{\infty\} \quad \text{and} \\ I_{\underline{s}}(F) &:= I(F) \cap J_{\underline{s}}(F). \end{aligned}$$

When $J_{\underline{s}}(F)$ is nonempty, we say that \underline{s} is *admissible* (for F). In this case, $\hat{J}_{\underline{s}}(F)$ is called a *Julia continuum* of F . An address \underline{s} is called *bounded* if it contains only finitely many different tracts, and *periodic* if there is $p \geq 1$ such that $T_j = T_{j+p}$ for all $j \geq 0$.

For $n \geq m \geq 0$, we also define

$$F_{\underline{s}}^{m\dots n} := F|_{T_n} \circ F|_{T_{n-1}} \circ \dots \circ F|_{T_m}, \quad F_{\underline{s}}^n := F_{\underline{s}}^{0\dots n-1} \quad \text{and} \quad F_{\underline{s}}^{-n} := (F_{\underline{s}}^n)^{-1}.$$

Remark 1. We can write $\hat{J}_{\underline{s}}(F)$ as a nested intersection of continua:

$$(3.1) \quad \hat{J}_{\underline{s}}(F) = \bigcap_{n=0}^{\infty} (F_{\underline{s}}^{-n}(\overline{T_n}) \cup \{\infty\}).$$

Hence $\hat{J}_{\underline{s}}$ is indeed a continuum. Furthermore, if $\underline{s}^1 \neq \underline{s}^2$, then for some $n \geq 0$, the sets $J_{\underline{s}^1}(F)$ and $J_{\underline{s}^2}(F)$ belong to different connected components of the open set $F^{-n}(\mathcal{T})$ (where \mathcal{T} again denotes the domain of F). Hence every connected component of $J(F)$ is contained in a single Julia continuum.

Remark 2. In [BK07, Remark after Theorem C'], the question is raised whether each $J_{\underline{s}}(F)$ is connected. It follows from [Rem07, Corollary 3.6] that this is indeed the case; compare the remark after Definition 6.1. We reprove this fact in Theorem 5.7, by showing

that ∞ is a terminal point of $\hat{J}_{\underline{s}}(F)$. Indeed, a terminal point of a continuum X cannot be a cut point of X (this follows e.g. from the *Boundary Bumping Theorem* 3.12 below), so $J_{\underline{s}}(F) = \hat{J}_{\underline{s}}(F) \setminus \{\infty\}$ is connected.

In particular, if f is an entire function of disjoint type and $F \in \mathcal{B}_{\log}^{\text{P}}$ is a logarithmic transform of f , then every (arbitrary/bounded-address/periodic) Julia continuum of f , as defined in the introduction, is homeomorphic (via a branch of the logarithm) to a Julia continuum of F at an (admissible/bounded/periodic) address, and vice versa.

Remark 3. Recall that $F|_T$ extends continuously to ∞ with $F(\infty) = \infty$, for all tracts T of F . Hence, throughout the article, we shall use the convention that $F(\infty) = \infty$. We emphasise that, while this extension is continuous on a given tract, and hence on a given Julia continuum, it is not a continuous extension of the global function F . When considering subsets of $\overline{T} \cup \{\infty\}$, it will also be convenient to use the convention that $\text{Re } \infty = \infty$.

Hyperbolic expansion. In order to study disjoint-type functions, we shall use the fact that they are *expanding* on the Julia set, with respect to the hyperbolic metric on H . Recall that $\|DF(z)\|_H$ denotes the hyperbolic derivative of F , measured in the hyperbolic metric of H , and that diam_H denotes hyperbolic diameter in H .

3.7. Proposition (Expanding properties of F).

Let $F: \mathcal{T} \rightarrow H$ be a disjoint-type function in \mathcal{B}_{\log} . Then there is a constant $\Lambda > 1$ such that

$$\|DF(z)\|_H \geq \Lambda,$$

for all $z \in \mathcal{T}$; furthermore $\|DF(z)\|_H \rightarrow \infty$ as $\text{Re } z \rightarrow \infty$.

Proof. This fact is well-known and follows from the standard estimate (2.1) on the hyperbolic metric; see e.g. [BK07, Lemma 3.3] or [RRRS11, Lemma 2.1]. ■

This expanding property implies that two different points within the same Julia continuum must eventually separate under iteration. (Compare [RRRS11, Lemma 3.1] for a quantitative statement.) We state the following slightly more general fact, which will be used frequently in Section 5. (Recall that dist_H denotes hyperbolic distance in H .)

3.8. Lemma (Separation of orbits).

Let $F: \mathcal{T} \rightarrow H$ be a disjoint-type function in \mathcal{B}_{\log} , and let $\underline{s} = T_0 T_1 T_2 \dots$ be an admissible external address for F . Suppose that $A \subset H$ is compact, and that $B \subset H$ is closed with $F^n(A \cup B) \cap \mathcal{T} \subset T_n$ and $F^n(A), F^n(B) \neq \emptyset$ for all $n \geq 0$. If furthermore

$$(3.2) \quad \liminf_{n \rightarrow \infty} \text{dist}_H(F^n(A), F^n(B)) < \infty,$$

then $A \cap B \cap J_{\underline{s}}(F) \neq \emptyset$.

In particular, if $z, w \in J_{\underline{s}}(F)$ are distinct points, then $\lim_{n \rightarrow \infty} |F^n(z) - F^n(w)| = \infty$.

Proof. By assumption, there is $\delta > 0$, a strictly increasing sequence n_k , as well as points $a_k \in F^{n_k}(A)$ and $b_k \in F^{n_k}(B)$ such that

$$\text{dist}_H(a_k, b_k) \leq \delta$$

for all k . Set $\alpha_k := F_{\underline{s}}^{-n_k}(a_k) \in A$ and $\beta_k := F_{\underline{s}}^{-n_k}(b) \in B$. By Proposition 3.7, we have $\text{dist}_H(\alpha_k, \beta_k) \leq \Lambda^{-n_k} \delta$ for all k , where $\Lambda > 1$ is the expansion constant. Since A is compact, there is a limit point $\alpha \in A \cap B$ of (α_k) , and furthermore $\alpha \in J_{\underline{s}}(F)$ by (3.1).

In particular, if $A = \{z\}$ and $B = \{w\}$, with $z \neq w$, then $\text{dist}_H(F^n(z), F^n(w)) \rightarrow \infty$. Hence $|F^n(z) - F^n(w)| \rightarrow \infty$ by the final statement in Observation 3.4. \blacksquare

It follows that there cannot be infinitely many times at which two different orbits both return to the same left half plane.

3.9. Corollary (Growth of real parts [RRRS11, Lemma 3.2]).

Let $F \in \mathcal{B}_{\log}$ be of disjoint type, and let \underline{s} be an admissible external address of F . If z and w are distinct points of $J_{\underline{s}}(F)$, then $\max(\text{Re } F^n(z), \text{Re } F^n(w)) \rightarrow \infty$ as $n \rightarrow \infty$.

Proof. Let $R > 0$, and write $\underline{s} = T_0 T_1 T_2 \dots$. Recall from Observation 3.4 that the diameter of $\{z \in T_n : \text{Re } z \leq R\}$ is bounded independently of n . Hence by Lemma 3.8, $\max(\text{Re } F^n(z), \text{Re } F^n(w)) > R$ for all but finitely many n , as claimed. \blacksquare

Another simple consequence of hyperbolic expansion is the fact, mentioned in Section 2, that each Julia continuum at a bounded address contains a unique point with bounded orbit.

3.10. Proposition (Points with bounded orbits).

Let $F \in \mathcal{B}_{\log}$ be of disjoint type, and let \underline{s} be a bounded external address. Then there is a unique nonescaping point $z_0 \in J_{\underline{s}}(F)$. This point has bounded orbit, i.e. $\sup_{j \geq 0} \text{Re } F^j(z_0) < \infty$, and is accessible from $\mathbb{C} \setminus J(F)$. If \underline{s} is periodic of period p , so is z_0 . If $A \subset J_{\underline{s}}(F) \setminus \{z_0\}$ is closed, then $\text{Re } F^n|_A \rightarrow \infty$ uniformly.

Proof. The proposition follows from [BK07, Theorem B] and its proof, which however deals also with certain unbounded addresses and is therefore somewhat technical. For the reader's convenience, we provide the simple argument in our case.

Let us begin by proving the existence of a point $z_0 \in J_{\underline{s}}(F)$ with bounded orbit, which is accessible from $\mathbb{C} \setminus J(F)$. Let ζ_0 be an arbitrary base point in $H \setminus \mathcal{T}$. For each of the tracts T_i in the address $\underline{s} = T_0 T_1 T_2 \dots$, let $\Gamma_i \subset H \setminus J(F)$ be a smooth curve connecting ζ_0 to $F_{T_i}^{-1}(\zeta_0)$. (Observe that $H \setminus J(F)$ is connected.)

Since \underline{s} contains only finitely many different tracts, the curves Γ_i can be chosen to have uniformly bounded hyperbolic length, say $\ell_H(\Gamma_i) \leq \Delta$ for all i .

For $j \geq 0$, let γ_j be defined as the preimage of the curve Γ_j under the appropriate branches of F^{-1} :

$$\gamma_j := F_{T_0}^{-1}(F_{T_1}^{-1}(\dots(F_{T_{j-1}}^{-1}(\Gamma_j))\dots)).$$

Then $\gamma := \bigcup_{j \geq 0} \gamma_j$ is a curve in $H \setminus J(F)$, beginning at ζ_0 and having hyperbolic length

$$\ell_H(\gamma) = \sum_{j=0}^{\infty} \ell_H(\gamma_j) \leq \Delta \cdot \sum_{j=0}^{\infty} \Lambda^{-j} = \frac{\Delta \Lambda}{\Lambda - 1}.$$

Hence γ has a finite endpoint z_0 , which belongs to $J_{\underline{s}}(F)$ by (3.1) and is accessible from $\mathbb{C} \setminus J(F)$ by definition. Furthermore, for all $n \geq 0$, the curve $\bigcup_{j \geq n} F^n(\gamma_j)$ connects ζ_0 to $F^n(z_0)$, and its length is also bounded by $\Delta \Lambda / (\Lambda - 1)$. Thus z_0 has bounded orbit.

By Corollary 3.9, z_0 is the unique nonescaping point in $J_{\underline{s}}(F)$, and by Lemma 3.8, $\operatorname{Re} F^n|_A \rightarrow \infty$ uniformly if $z_0 \notin \overline{A}$. In particular, if \underline{s} is periodic of period p , so is z_0 . ■

3.11. Corollary (Uncountably many Julia continua).

The Julia set $J(f)$ of a disjoint-type entire function f has uncountably many connected components. Each of these components is closed and unbounded.

Proof. Connected components of a closed set are always closed. A function $f \in \mathcal{B}$ has no multiply-connected Fatou components [EL92, Proposition 2], hence $J(f) \cup \infty$ is connected, and by the boundary bumping theorem (see below) every connected component of $J(f)$ is unbounded.

Now let F be a disjoint-type logarithmic transform of f , and let T be a tract of F . There are uncountably many bounded external addresses of F whose initial entry is T . By Proposition 3.10, these addresses are all admissible, so there are associated nontrivial Julia continua. As noted in Remark 2, each Julia continuum of F corresponds to a Julia continuum of f under the exponential map, and since \exp is injective on T , these are pairwise disjoint. This completes the proof. ■

Results from continuum theory. We shall frequently require the following fact.

3.12. Theorem (Boundary bumping theorem [Nad92, Theorem 5.6]).

Let X be a continuum, and let $E \subsetneq X$ be nonempty. If K is a connected component of $X \setminus E$, then $\overline{K} \cap \partial E \neq \emptyset$.

We also recall some background on (in-)decomposable continua and composants. These are mainly used in Section 6.

3.13. Definition ((In-)decomposable continua).

A continuum X is called *decomposable* if it can be written as the union of two proper subcontinua of X . Otherwise, X is *indecomposable*.

Furthermore X is called *hereditarily* (in-)decomposable if every non-degenerate subcontinuum of X is (in-)decomposable.

We now collect some well-known results concerning irreducibility and indecomposability. In particular, part (c) below shows that the (standard) definition of hereditarily indecomposable continua in Definition 3.13 coincides with that we gave in Definition 2.1. Recall that the (*topological*) *composant* of a point $x \in X$ is the union of all proper subcontinua containing x . We say that $x \in X$ is a *point of irreducibility* of X if there is some $y \in X$ such that X is irreducible between x and y in the sense of Definition 2.2.

3.14. Proposition (Properties of composants).

Let X be a continuum, and let $x \in X$.

- (a) *The point x is a point of irreducibility of X if and only if its composant is a proper subset of X .*
- (b) *The point x is terminal if and only if x is a point of irreducibility of every subcontinuum that contains x .*
- (c) *A continuum is hereditarily indecomposable if and only if every point of X is a terminal point.*

- (d) If C is a composant of X , then $X \setminus C$ is connected.
- (e) If X is decomposable, then there are either one or three different composants.
- (f) If X is indecomposable, then there are uncountably many different composants, every two of which are disjoint, and each of which is dense in X .

Proof. The first claim is immediate from the definition; for (b) see [Bin51b, Theorem 12]. By definition, X is hereditarily indecomposable if and only if any two subcontinua of X are either nested or disjoint. Clearly this is the case if and only if all points of X are terminal. The remaining statements can be found in Theorems 11.4, 11.13 and 11.17, as well as Exercise 5.20, of [Nad92]. ■

Finally, we recall the definition of *inverse limits*, which can be considered – from a dynamical systems point of view – as the space of inverse orbits of a (possibly non-autonomous) dynamical system. We refer to [Nad92, Chapter 2] for more background on inverse limits of continua.

3.15. Definition (Inverse limits).

Let $(X_j)_{j \geq 0}$ be a sequence of metric spaces, and let $f_j: X_j \rightarrow X_{j-1}$ be a continuous function for every $j \geq 1$. Then the collection $(X_j, f_{j+1})_{j \geq 0}$ is called an *inverse system*.

Let X be the set of all “inverse orbits”, $(x_0 \leftarrow x_1 \leftarrow x_2 \leftarrow \dots)$, with $x_j \in X_j$ for all $j \geq 0$ and $f_j(x_j) = x_{j-1}$ for all $j \geq 1$. Then X , with the product topology, is called the *inverse limit* of the functions (f_j) , and denoted $\varprojlim (X_j, f_{j+1})_{j=0}^\infty$ or $\varprojlim (f_j)_{j=1}^\infty$. The maps f_j are called the *bonding maps* of the inverse limit X .

If (X_j, f_{j+1}) is an inverse system and $n > j \geq 0$, then we shall abbreviate

$$f_{n,\dots,j} := f_{j+1} \circ \dots \circ f_n: X_n \rightarrow X_j.$$

Remark.

1. If all spaces X_j are continua, then the inverse limit is again a continuum.
2. The simplest example of an inverse system is the case where $X_j = X$ is a fixed space and $f_j = g^{-1}$ for all j , where $g: X \rightarrow X$ is a homeomorphism. In this case, the inverse limit is homeomorphic to X itself. (A homeomorphism is given by projection to the j -th coordinate, for any $j \geq 0$.)

Similarly, with the same notation, if $g: X \rightarrow \tilde{X} \supset X$ is a homeomorphism, then the inverse limit $\varprojlim (\tilde{X}, g^{-1}) = \varprojlim (X, g^{-1}|_X)$ is homeomorphic to the set of points that stay in X forever under iteration under g .

3. To connect the concept to the study of Julia continua, suppose that $F \in \mathcal{B}_{\log}$ and that $\underline{s} = T_0 T_1 T_2 \dots$ is an admissible external address of F . Define $X_j := \overline{T_j}$ and $f_j := (F_{T_{j-1}}^{-1})|_{\overline{T_j}}: X_j \rightarrow X_{j-1}$. Then $\varprojlim (f_j, X_j)$ is homeomorphic to $J_{\underline{s}}(F)$, under projection to X_0 . Note that, as in this example, we usually think of the bonding maps in inverse systems as being connected to *backward* branches of the (expanding) dynamical systems under consideration.
4. When defining inverse limits, one must choose whether f_j should denote the bonding map from the j -th to the $(j-1)$ -th coordinate, or from the $(j+1)$ -th to the j -th coordinate. In the literature, the latter is often used; we have chosen the former as it leads to more natural notation in our main construction.

The introduction of some further topological background concerning arc-like continua will be delayed until Section 9, as it is only required in the second part of this article.

4. SHADOWING AND A CONJUGACY PRINCIPLE FOR INVERSE LIMITS

It is a fundamental principle in dynamics that expanding systems that are close to each other are topologically conjugate – this is a uniform version of the *shadowing lemma* (compare [KH95, Theorem 18.1.3]). The same ideas appear frequently also in the study of inverse limits to show that two such spaces are homeomorphic; compare e.g. [Nad92, Proposition 2.8].

We shall use this principle in a variety of different settings and to different ends: to construct an inverse limit representation for a periodic Julia continuum (Theorem 7.7), to construct homeomorphisms between different subsets in the Julia set of a disjoint-type function $F \in \mathcal{B}_{\log}$ (Section 8), and to construct Julia continua homeomorphic to given inverse limit spaces (Sections 10, 13 and 14). Our goal in this section is to provide a unified account. We shall use a slightly nonstandard notion of expanding dynamics.

4.1. Definition (Expanding inverse system).

Let $(X_j, f_{j+1})_{j \geq 0}$ be an inverse system, where all X_j are complete metric spaces, and let d_{X_j} denote the metric on X_j ². We say that the system is *expanding* if there are constants $\lambda > 1$ and $K \geq 0$ with the following properties.

(1) For all $j \geq 1$, and all $x, y \in X_j$,

$$(4.1) \quad \max(K, d_{X_j}(x, y)) \geq \lambda d_{X_{j-1}}(f_j(x), f_j(y)).$$

(2) For all $\Delta > 0$ and all $k \geq 0$,

$$\lim_{j \rightarrow \infty} \sup \{d_{X_k}(f_{j, \dots, k}(x), f_{j, \dots, k}(y)) : x, y \in X_j, d_{X_j}(x, y) \leq \Delta\} = 0.$$

A sequence $(\tilde{x}_j)_{j \geq 0}$ is called a *pseudo-orbit* of the system if $\tilde{x}_j \in X_j$ for all j and $m := \sup_{j \geq 1} d_{X_{j-1}}(\tilde{x}_{j-1}, f_j(\tilde{x}_j)) < \infty$. We also call the sequence an M -pseudo-orbit ($M > 0$) if $m \leq M$.

Remark. Clearly, the backwards shrinking property (2) is automatically satisfied if the system is expanding at all scales, i.e. if (4.1) holds with $K = 0$. However, we frequently apply the results of this section in cases where we can only ensure expansion above a certain scale, i.e. where $K > 0$. Indeed, this is crucial in Observation 4.3 below, which in turn plays an important role in our constructions.

Note that we call a system as in Definition 4.1 expanding, although the maps f_j themselves are (weakly) contracting. The reason is that we think of the dynamics of the *system* as going in the opposite direction of the functions f_j (recall Remark 3 after Definition 3.15). One simple consequence of expansion is the following.

²Observe that this is a slight abuse of notation; even in the case where all the spaces in the inverse system are the same as sets, we may be using different metrics for different choices of j . We use this notation to simplify the discussion in which there are several inverse systems, and it should not lead to any ambiguities.

4.2. Observation (Convergence of orbits).

Let $(X_j, f_{j+1})_{j \geq 0}$ be an expanding system, and let $x = (x_j)_{j=0}^\infty \in \varprojlim(f_j)$. Suppose that $(x^k)_{k \geq 0}$ is a sequence in $\varprojlim(f_j)$, and that there is a sequence $j_k \rightarrow \infty$ and a number $M > 0$ such that $d_{X_{j_k}}(x_{j_k}, x_{j_k}^k) \leq M$. Then $x^k \rightarrow x$.

Remark. In particular, if the inverse limit of an expanding inverse system contains more than one point, then the diameter of the spaces X_j with respect to the metric d_{X_j} must be either infinite, or tend to infinity as $j \rightarrow \infty$.

Proof. This is an immediate consequence of property (2) in the definition. ■

We also remark that expansion is a property of the inverse system, rather than of the underlying inverse limit. Indeed, when given any inverse system, we can often artificially blow up the metrics involved to obtain a modified system that is expanding, but has the same inverse limit. This fact will be useful in the second part of the paper.

4.3. Observation (Obtaining expanding systems).

Let (X_j, f_{j+1}) be an inverse system, with metrics d_{X_j} on X_j . Suppose that all X_j are compact. Then there are constants $\gamma_j \geq 1$, for $j \geq 0$, such that the system is expanding when X_j is equipped with the metric $\tilde{d}_{X_j} := \gamma_j \cdot d_{X_j}$.

More precisely, for given $K > 0$ and $\lambda > 1$ there are functions $\Gamma_j: [1, \infty) \rightarrow [1, \infty)$ (for $j \geq 1$) with the following property: If $(\gamma_j)_{j \geq 0}$ satisfies $\gamma_j \geq \Gamma_j(\gamma_{j-1})$ for all $j \geq 1$, then the system (X_j, f_{j+1}) equipped with the metrics \tilde{d}_{X_j} satisfies Definition 4.1 for K and λ . Moreover, Γ_j depends on f_1, \dots, f_j , but not on f_k for $k > j$.

Proof. We first claim that there is a sequence $(\gamma_j^0)_{j \geq 1}$ such that condition (2) is satisfied for the blown-up system whenever $\gamma_j \geq \gamma_j^0$ for all j . Indeed, set

$$M_j := \min\{d_{X_j}(x, y) : x, y \in X_j, d_{X_k}(f_{j, \dots, k}(x), f_{j, \dots, k}(y)) \geq 1/j \text{ for some } k \leq j\} \quad \text{and} \\ \gamma_j^0 := \max(1, 2j/M_j)$$

and the claim follows easily.

Now, for $j \geq 1$ and $\gamma \geq 1$, define

$$\tilde{\Gamma}_j(\gamma) := \max\left\{\frac{\lambda \cdot \gamma \cdot d_{X_{j-1}}(f_j(x), f_j(y))}{d_{X_j}(x, y)} : x, y \in X_j, d_{X_{j-1}}(f_j(x), f_j(y)) \geq K/(\lambda \cdot \gamma)\right\}.$$

Suppose that (γ_j) satisfies $\gamma_j \geq \tilde{\Gamma}_j(\gamma_{j-1})$ for all j . Then clearly (1) holds for the metrics \tilde{d}_{X_j} . Setting $\Gamma_j(\gamma) := \max(\gamma_j^0, \tilde{\Gamma}_j(\gamma))$, we are done. ■

4.4. Lemma (Shadowing lemma).

Let (X_j, f_{j+1}) be an expanding inverse system, and suppose that $(\tilde{x}_j)_{j \geq 0}$ is an M -pseudo-orbit. Then there is a unique orbit $(x_j)_{j \geq 0} \in \varprojlim(f_j)$ such that

$$\limsup_{j \rightarrow \infty} d_{X_j}(x_j, \tilde{x}_j) < \infty.$$

More precisely, $d_{X_j}(x_j, \tilde{x}_j) \leq \lambda \cdot \max(M, K)/(\lambda - 1)$ for all j , where K is the constant from Definition 4.1.

Proof. Set $\tilde{M} := \max(M, K)$. For $n \geq j \geq 0$, define $x_j^n \in X_j$ recursively by $x_j^j := \tilde{x}_j$ and

$$x_j^{n+1} := f_{j+1}(x_{j+1}^{n+1}).$$

We claim that $d_{X_j}(x_j^n, \tilde{x}_j) \leq \lambda \tilde{M} / (\lambda - 1)$ for all j and n . Indeed, this follows by induction on $n - j$, since

$$\begin{aligned} d_{X_j}(x_j^{n+1}, \tilde{x}_j) &= d_{X_j}(f_{j+1}(x_{j+1}^{n+1}), \tilde{x}_j) \leq d_{X_j}(f_{j+1}(x_{j+1}^{n+1}), f_{j+1}(\tilde{x}_{j+1})) + M \\ &\leq \frac{\max(K, d_{X_{j+1}}(x_{j+1}^{n+1}, \tilde{x}_{j+1}))}{\lambda} + M \leq \tilde{M} \cdot \left(1 + \frac{1}{\lambda - 1}\right) = \frac{\lambda \tilde{M}}{\lambda - 1}. \end{aligned}$$

By property (2) of Definition 4.1, it follows that $(x_j^n)_{n \geq j}$ is a Cauchy sequence for every $j \geq 0$, and hence has a limit x_j (recall that the space X_j is assumed to be complete). We have $f_j(x_j) = x_{j-1}$ by construction, which completes the proof of existence. Uniqueness follows immediately from Observation 4.2. \blacksquare

4.5. Definition (Pseudo-conjugacy between inverse systems).

Two inverse systems (X_j, f_{j+1}) and (Y_j, g_{j+1}) will be called *pseudo-conjugate* if there exists a sequence of (not necessarily continuous) functions $\psi_j: X_j \rightarrow Y_j$ and a constant $M > 0$ with the following properties.

- (a) $d_{Y_{j-1}}(g_j(\psi_j(x)), \psi_{j-1}(f_j(x))) \leq M$ for all $j \geq 1$ and all $x \in X_j$.
- (b) The image $\psi_j(X_j)$ is M -dense in Y_j for all j ; i.e., for all $y \in Y_j$, there is $x \in X_j$ such that $d_{Y_j}(\psi_j(x), y) \leq M$.
- (c) For all $\Delta \geq 0$, there is $R > 0$ such that $d_{Y_{j-1}}(\psi_{j-1}(f_j(x)), \psi_{j-1}(f_j(\tilde{x}))) \leq R$ whenever $j \geq 1$ and $x, \tilde{x} \in X_j$ with $d_{X_j}(x, \tilde{x}) \leq \Delta$.
- (d) For all $\Delta \geq 0$, there is $R > 0$ such that $d_{X_j}(x, \tilde{x}) \leq R$ whenever $j \geq 0$ and $x, \tilde{x} \in X_j$ with $d_{Y_j}(\psi_j(x), \psi_j(\tilde{x})) \leq \Delta$.

Remark 1. Observe that a pseudo-conjugacy can be considered an approximate conjugacy. Indeed, the four conditions given are approximate versions of, respectively, the conjugacy relation, surjectivity of ψ_j , continuity of ψ_j and a combination of injectivity of ψ_j and continuity of its inverse.

Remark 2. There is an asymmetry between the conditions (c) and (d), in that one concerns the map $\psi_{j-1} \circ f_j$ while the other deals with ψ_j itself. One could weaken the requirements on a pseudo-conjugacy to obtain a perhaps more natural, but also more technical, definition, which still yields an analog of Proposition 4.6 below. However, the above version is sufficient for all our purposes.

Remark 3. Observe that the definition depends strongly on the choice of metrics. In particular, suppose two pseudo-conjugate systems are transformed into expanding systems using Observation 4.3. Then the resulting blown-up systems will not, in general, again be pseudo-conjugate to each other.

4.6. Proposition (Conjugacy principle for expanding inverse systems).

Two expanding inverse systems (X_j, f_{j+1}) and (Y_j, g_{j+1}) that are pseudo-conjugate have homeomorphic inverse limits.

More precisely, if (ψ_n) is the sequence of maps guaranteed by the definition of pseudo-conjugacy, then there is a homeomorphism $\vartheta: \varprojlim(f_j) \rightarrow \varprojlim(g_j)$ such that

$$(4.2) \quad d_{Y_j}(\vartheta_j(x), \psi_j(x_j)) \leq \max(M, K) \cdot \frac{\lambda}{\lambda - 1}$$

for all $j \geq 0$ and all $x = (x_0 \leftarrow x_1 \leftarrow \dots) \in \varprojlim(f_j)$. (Here λ and K are the expansion constants for the system (Y_j, g_{j+1}) , as in Definition 4.1, and M is the number from Definition 4.5.)

Proof. Let $x \in \varprojlim(f_j)$, and define $\tilde{y}_j := \psi_j(x_j)$ for $j \geq 0$. Then (\tilde{y}_j) is a pseudo-orbit for the inverse system (Y_j, g_{j+1}) , since

$$d_{Y_{j-1}}(g_j(\tilde{y}_j), \tilde{y}_{j-1}) = d_{Y_{j-1}}(g_j(\psi_j(x_j), \psi_{j-1}(f_j(x_j)))) \leq M$$

for all $j \geq 1$.

By Lemma 4.4, there is a unique element $y \in \varprojlim(g_j)$ such that \tilde{y}_j and y_j are at most distance $\delta := \max(M, K) \cdot \lambda / (\lambda - 1)$ apart for all j . So if we define $\vartheta(x) := y$, then ϑ satisfies (4.2).

To show that ϑ is continuous, let $x^i \rightarrow x$ in $\varprojlim(f_j)$ as $i \rightarrow \infty$, and set $y^i := \vartheta(x^i)$, $y := \vartheta(x)$. Let R be as in (c), say for $\Delta = 1$, and let $j \geq 1$ be arbitrary. If i is large enough, then $d_{X_j}(x_j^i, x_j) \leq 1$ and hence

$$d_{Y_{j-1}}(\psi_{j-1}(x_{j-1}^i), \psi_{j-1}(x_{j-1})) = d_{Y_{j-1}}(\psi_{j-1}(f_j(x_j^i)), \psi_{j-1}(f_j(x_j))) \leq R.$$

By (4.2), we see that $d_{Y_{j-1}}(y_{j-1}^i, y_{j-1}) \leq R + 2\delta$ for sufficiently large i . It follows from Observation 4.2 that $y^i \rightarrow y$, as required.

To show that ϑ is injective, suppose that $x^1, x^2 \in \varprojlim(f_j)$ satisfy $\vartheta(x^1) = \vartheta(x^2)$, and let R be as in (d), for $\Delta = 2\delta$. Then $\text{dist}_{X_j}(x_j^1, x_j^2) \leq R$ for all j , and hence $x^1 = x^2$ by the uniqueness statement in Lemma 4.4. Continuity of the inverse (where defined) similarly follows from (d) and Observation 4.2.

It remains to show that ϑ is surjective. Let $y \in \varprojlim(g_j)$. By (b), for all $j \geq 0$ there is $x_j \in X_j$ such that $\text{dist}_{Y_j}(y_j, \psi_j(x_j)) \leq M$ for all j . Then

$$\begin{aligned} \text{dist}_{Y_j}(\psi_j(x_j), \psi_j(f_{j+1}(x_{j+1}))) &\leq M + \text{dist}_{Y_j}(y_j, \psi_j(f_{j+1}(x_{j+1}))) \\ &\leq 2M + \text{dist}_{Y_j}(y_j, g_{j+1}(\psi_{j+1}(x_{j+1}))) \\ &= 2M + \text{dist}_{Y_j}(g_{j+1}(y_{j+1}), g_{j+1}(\psi_{j+1}(x_{j+1}))) \\ &\leq 3 \max(M, K). \end{aligned}$$

Here we used (a) and the contracting property of g_{j+1} . Let R_1 be as in (d) with $\Delta = 3 \max(M, K)$; then $\text{dist}_{X_j}(x_j, f_{j+1}(x_{j+1})) \leq R_1$. By Lemma 4.4 there is $\hat{x} \in \varprojlim(f_j)$ such that $\text{dist}(x_j, \hat{x}_j) \leq \delta_1$ for some $\delta_1 > 0$ and all j . Set $\hat{y} := \vartheta(\hat{x})$. Then

$$\begin{aligned} \text{dist}_{Y_j}(y_j, \hat{y}_j) &\leq \text{dist}_{Y_j}(y_j, \psi_j(f_{j+1}(x_{j+1}))) + \text{dist}_{Y_j}(\psi_j(f_{j+1}(x_{j+1})), \hat{y}_j) \\ &\leq 2 \max(M, K) + \delta + \text{dist}_{Y_j}(\psi_j(f_{j+1}(x_{j+1})), \psi_j(f_{j+1}(\hat{x}_{j+1}))) \\ &\leq 2 \max(M, K) + \delta + R_2, \end{aligned}$$

where R_2 is chosen according to (c) for $\Delta = \delta_1$. By the uniqueness part of Lemma 4.4, we have $y = \hat{y} = \vartheta(\hat{x})$, as desired. \blacksquare

In order to deduce additional properties of the conjugacy ϑ , it is useful to note the following.

4.7. Observation (Converging to the conjugacy).

With the notation of Proposition 4.6, the n -th coordinate ϑ_n of the homeomorphism ϑ is the uniform limit, as $k \rightarrow \infty$, of the functions

$$\varprojlim (f_j) \rightarrow Y_n; \quad (x_j)_{j \geq 0} \mapsto g_{n, \dots, k}(\psi_k(x_k)).$$

Proof. This is immediate from the definition of ϑ and the proof of the shadowing lemma. ■

Remark. In particular, if both systems are autonomous, say generated by (f, X) and (g, Y) , and the map $\psi_j: X \rightarrow Y$ is independent of j , then ϑ is a conjugacy between the functions \tilde{f} and \tilde{g} induced by f and g on the respective inverse limits.

5. TOPOLOGY OF JULIA CONTINUA

We now study the general topological properties of Julia continua for a function in the class \mathcal{B}_{\log} . In particular, we prove that every such Julia continuum has span zero. The idea of the proof can be outlined in rather simple terms: Since each tract T cannot intersect its own $2\pi i$ -translates, two points cannot exchange position by moving inside T without coming within distance 2π of each other. Now let \underline{s} be an admissible external address. By applying the preceding observation to the tract T_j , for j large, and using the expanding property of F , we see that two points cannot cross each other within $J_{\underline{s}}(F)$ without passing within distance ε of each other, for every $\varepsilon > 0$. This establishes that $J_{\underline{s}}(F)$ has span zero. (This idea is similar in spirit to the proof of Lemma 3.3 and Corollary 3.4 in [Rem07], which we in fact recover below.)

However, some care is required, since the tract T can very well contain points whose imaginary parts differ by a large amount (see Figure 3). Hence we shall have to take some care in justifying the informal argument above, by studying the possible structure of *logarithmic tracts* somewhat more closely.

5.1. Definition (Logarithmic tracts).

Let $T \subset \mathbb{C}$ be an unbounded simply connected domain bounded by a Jordan curve (passing through infinity). If T does not intersect its $2\pi i\mathbb{Z}$ -translates and is unbounded to the right (i.e., $\operatorname{Re} z \rightarrow +\infty$ as $z \rightarrow \infty$ in T), then T is called a *logarithmic tract*.

Remark. In particular, every tract of a function $F \in \mathcal{B}_{\log}$ is a logarithmic tract by definition.

Within such a tract, we wish to understand when points can move around without having to come close to each other. To study this question, we introduce the following terminology. (See Figure 3b.)

5.2. Definition (Separation number).

For any $z \in \mathbb{C}$, we denote by I_z the line segment

$$I_z := \{z + i \cdot t : t \in [-2\pi, 2\pi]\}.$$

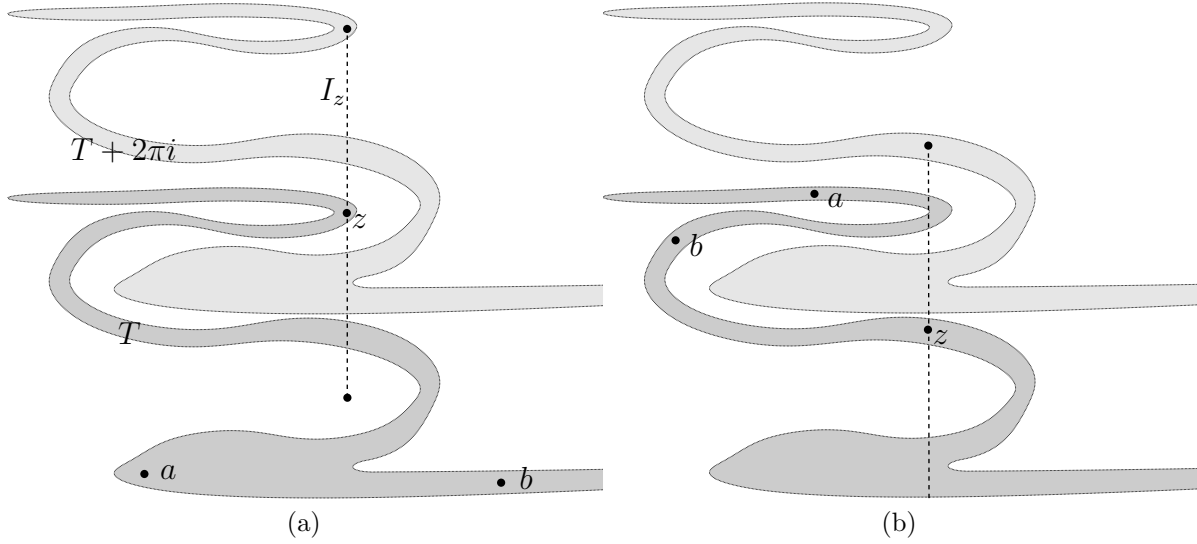


FIGURE 3. A logarithmic tract containing points whose imaginary parts are further apart than 2π . (The translate $T + 2\pi i$ is shown in light grey to demonstrate that T is indeed disjoint from its $2\pi i\mathbb{Z}$ -translates.) Subfigure (a) illustrates the definition of the segment I_z , and shows that we may have $\text{sep}_T(a, b, z) = 0$ even though $\text{Re } a < \text{Re } z < \text{Re } b$. The configuration in (b) demonstrates that the number $\text{sep}_T(a, b, z)$ can decrease under perturbation of z (it will change from 2 to 0 if we move the point z slightly to the right).

Let T be a logarithmic tract, and let $z \in T$. If $a, b \in (T \cup \{\infty\}) \setminus I_z$, then we define $\text{sep}_T(a, b, z) \geq 0$ to denote the smallest number of points that a curve γ connecting a and b in T may have in common with the segment I_z .

By convention, $I_\infty = \{\infty\}$; hence we also define $\text{sep}_T(a, b, \infty) = 0$ for $a, b \in T$.

(The tract T will usually be fixed in the following, and we shall then suppress the subscript T in this notation.)

5.3. Proposition (Continuous parity of separation numbers).

Let T be a logarithmic tract, let $a, b, z \in T \cup \{\infty\}$, and suppose that $a, b \notin I_z$. Then the parity of $\text{sep}_T(a, b, z)$ remains constant under small perturbations of a , b and z .

That is, if X denotes the set of points $(a, b, z) \in (T \cup \{\infty\})^3$ with $a, b \notin I_z$, then the function

$$\text{sep}_T: X \rightarrow \mathbb{Z}_2; \quad (a, b, z) \mapsto \text{sep}_T(a, b, z) \pmod{2}$$

is continuous.

On the other hand, if $z \in \mathbb{C}$, then $\text{sep}_T(a, b, z)$ increases or decreases by 1 (and hence changes parity) as a or b passes through the segment I_z transversally. Similarly, this number changes parity as z passes through (exactly) one of I_a and I_b transversally.

Remark. The function $\text{sep}_T(a, b; z)$ itself need not be continuous in z , but is always upper semi-continuous. That is, under a small perturbation of z , the separation number might decrease, but will never increase; see Figure 3.

Proof. Continuity of $\text{sep}_T(a, b; z)$ at infinity (in each of the three variables) is clear from the definition. Hence in the following we may assume that $a, b, z \in T$.

Observe that $I_z \cap T$ is a union of vertical cross-cuts of the tract T . Clearly $\text{sep}(a, b; z)$ is precisely the number of such cross-cuts that separate a from b in T . Recall that each cross-cut C separates T into precisely two components, one on each side of C . In particular, as the point a or b crosses I_z , keeping the other points fixed, the number $\text{sep}(a, b; z)$ increases or decreases by 1.

Also note that, if $\gamma \subset T$ is a smooth curve connecting a and b , and γ intersects I_z only transversally, then the number of intersections between γ and I_z has the same parity as $\text{sep}(a, b; z)$. Indeed, the curve γ must intersect every cross-cut that separates a from b in an odd number of points, and every cross-cut that does not separate a from b in an even number of points.

So let $a, b, z \in T$ with $a, b \notin I_z$. Clearly a sufficiently small perturbation of a or of b does not change the value (and hence the parity) of $\text{sep}(a, b; z)$, so we only need to focus on what happens when we perturb z to a nearby point \tilde{z} .

Let γ be a smooth curve, as above, connecting a and b and intersecting I_z only transversally. If \tilde{z} is close enough to z , then γ also intersects $I_{\tilde{z}}$ only transversally, and in the same number of points. Hence we see that $\text{sep}(a, b; z)$ and $\text{sep}(a, b; \tilde{z})$ have the same parity, as claimed.

The final claim follows from what has already been proved: the effect of z crossing I_a (say) transversally can be obtained by first moving a without intersecting I_z (leaving the separation number unchanged), then moving z without intersecting I_a or I_b (preserving parity), and letting a cross I_z transversally to its original position (changing parity). ■

5.4. Corollary (Moving along a connected set).

Let T be a logarithmic tract, and let $A \subset T \cup \{\infty\}$ be compact and connected. Fix a left-most point $a \in A$ and a right-most point $b \in A$; i.e.

$$\text{Re } a = \min_{z \in A} \text{Re } z \quad \text{and} \quad \text{Re } b = \max_{z \in A} \text{Re } z.$$

(Recall from Section 3 that $\text{Re } \infty = +\infty$ by convention.)

- (a) Let $w \in A$, and let $\zeta_0 \in (A \cap I_a) \setminus I_w$. If $\zeta \in A \setminus I_a$ is sufficiently close to ζ_0 , then $\text{sep}(a, w; \zeta)$ is odd. The same statement holds with a replaced by b .
- (b) In particular, let $z \in A$ such that $a, b \notin I_z$. Then $\text{sep}(a, b; z)$ is odd, and hence I_z separates a from b in T .

Remark 1. The final statement implies that, in order to move from a left-most point of A to a right-most point, we must pass within distance at most 2π of every point of A . This is a key idea to keep in mind.

Proof. Note first that, if $\tilde{\zeta} \in T \setminus A$ is to the left of a , then $\text{sep}(a, w; \tilde{\zeta}) = 0$, since A is connected, contains a and w and does not intersect $I_{\tilde{\zeta}}$. As $\tilde{\zeta}$ crosses I_a at ζ , the parity of the separation number changes by Proposition 5.3, proving the first claim. (A slightly more careful argument would show that the separation number is exactly equal to 1.) If

$b \neq \infty$, then the second part of (a) follows analogously. We defer the case $b = \infty$ until the end of the proof, and show first how part (b) follows from (a).

So suppose that (a) holds, and let $z \in A$ such that $a, b \notin I_z$. Let K be the component of $A \setminus (I_a \cup I_b)$ containing z . By Proposition 5.3, the set of ζ such that $\text{sep}(a, b; \zeta)$ is odd is relatively open and closed in K ; so it remains only to show that this set is non-empty.

By the boundary bumping theorem (Theorem 3.12), the closure of K intersects I_a or I_b ; let us suppose for example that there is $\zeta_0 \in I_a \cap \overline{K}$. If ζ is sufficiently close to ζ_0 , then $\text{sep}(a, b; \zeta)$ is odd by (a), as desired.

The same argument establishes the second half of (a) when $b = \infty$. Indeed, fix $w \in T$; we shall show that $\text{sep}(w, \infty; \zeta)$ is odd whenever $\zeta \in T$ has sufficiently large real part. Let γ be an arc in T connecting w to infinity and let a be a left-most point of γ . Then the closure of every connected component of $\gamma \setminus I_a$ intersects I_a . As we saw, this implies that $\text{sep}(a, \infty; z)$ is odd for all $z \in \gamma \setminus I_a$. But if $\zeta \in T$ has sufficiently large real part, then ζ can be connected to γ without intersecting I_a , and the claim follows by the continuous parity of separation numbers (Proposition 5.3). ■

We are now ready to prove the statement alluded to at the beginning of the section, which then allows us to deduce that every Julia continuum has span zero.

5.5. Proposition (Bounded span of tracts).

Let T be a logarithmic tract, and let $A \subset T \cup \{\infty\}$ be a continuum. Suppose that $X \subset (T \cup \{\infty\})^2$ is a continuum whose first and second components both project to A .

Then there is a point $(z, w) \in X$ such that $w \in I_z$. In particular, either $z = w = \infty$ or $z, w \in \mathbb{C}$ and $|z - w| < 2\pi$.

Proof. We shall prove the contrapositive: suppose that $X \subset (T \cup \{\infty\})^2$ is any compact set whose first and second components both project to A , and such that $w \notin I_z$ for all $(z, w) \in X$. Observe that this implies $(\infty, \infty) \notin X$, and hence $A \cap T \neq \emptyset$. We shall show that X is disconnected.

Let a be a left-most point of A , and let U consist of the set of all points $(z, w) \in X$ such that $\text{sep}(a, w; z)$ is defined and even. By Proposition 5.3, this set is open in X .

We claim that $V := X \setminus U$ is also open in X . Let $(z, w) \in V$; then $w \notin I_z$ by assumption on X . If also $a \notin I_z$, then V contains a neighborhood of (z, w) in X by Proposition 5.3.

Now suppose that $a \in I_z$. Let B_z and B_w be connected neighbourhoods of z and w in $T \cup \{\infty\}$, chosen sufficiently small to ensure that $\tilde{w} \notin I_{\tilde{z}}$ for $(\tilde{z}, \tilde{w}) \in B_z \times B_w$. By Corollary 5.4, $\text{sep}(a, w; \tilde{z})$ is odd for $\tilde{z} \in A$ sufficiently close to z . By Proposition 5.3, the value of $\text{sep}(a, \tilde{w}; \tilde{z})$ is constant (and hence odd) for all $(\tilde{z}, \tilde{w}) \in ((A \cap B_z) \setminus I_a) \times B_w$. Hence, if $(\tilde{z}, \tilde{w}) \in X \cap (B_z \times B_w)$, then either $\tilde{z} \in I_a$ or $\text{sep}(a, \tilde{w}; \tilde{z})$ is odd. We have $(\tilde{z}, \tilde{w}) \in V$ in either case, as required.

Furthermore, both U and V are nonempty. Indeed, by assumption there are $z, w \in A$ such that $(z, a), (a, w) \in X$. We have $(a, w) \in V$ by definition (since $a \in I_a$). Similarly, we have $z \notin I_a$, and hence $a \notin I_z$, by assumption on X , and $\text{sep}(a, a; z) = 0$ by definition. So $(a, z) \in U$. We have shown that X is disconnected, as desired. ■

5.6. Theorem (Julia continua have span zero).

Let $F \in \mathcal{B}_{\log}$ be of disjoint type, and let \hat{C} be a Julia continuum of F . Then \hat{C} has span zero.

Proof. Suppose that $X \subset \hat{C}^2$ is a continuum whose projections to the first and second coordinates are the same subcontinuum $A \subset \hat{C}$. We must show that $(\zeta, \zeta) \in X$, for some point $\zeta \in A$. We assume that $(\infty, \infty) \notin X$, as otherwise there is nothing to prove.

Let $\underline{s} = T_0 T_1 T_2 \dots$ be the external address of \hat{C} , and consider $A_n := F^n(A)$ and $X_n := \{(F^n(z), F^n(w)) : (z, w) \in X\}$ for $n \geq 0$. (Recall that $F(\infty) = \infty$ by convention.)

By Proposition 5.5, X_n contains a point $(z_n, w_n) \in T_n \times T_n$ such that $|z_n - w_n| < 2\pi$. Let $\zeta_n, \omega_n \in A$ such that $z_n = F^n(\zeta_n)$ and $w_n = F^n(\omega_n)$. The hyperbolic distance (in the range H of F) between z_n and w_n is uniformly bounded by Observation 3.4, and F uniformly expands the hyperbolic metric by Proposition 3.7. It follows that the hyperbolic distance in T_0 between ζ_n and ω_n tends to zero, and thus the spherical distance also tends to zero. If ζ is any limit point of the sequence (ζ_n) , then $(\zeta, \zeta) \in X$, as required. ■

We shall next prove that infinity, as well as any nonescaping or accessible point, is terminal in each Julia continuum.

5.7. Theorem (The role of ∞).

Let \hat{C} be a Julia continuum of a disjoint-type function $F \in \mathcal{B}_{\log}$. Then ∞ is a terminal point of \hat{C} .

Remark. Theorems 5.6 and 5.7 together establish Theorem 1.4.

Proof. Let $\underline{s} = T_0 T_1 T_2 \dots$ be the address of \hat{C} . Suppose that $\hat{A}^1, \hat{A}^2 \subset \hat{C}$ are subcontinua both containing ∞ ; we must show that one of these is contained in the other. We may assume that both continua are nontrivial, as otherwise there is nothing to prove. Let us set $\hat{A} := \hat{A}^1 \cup \hat{A}^2$, and define $\hat{A}_n := F^n(\hat{A})$ and $\hat{A}_n^j := F^n(\hat{A}^j)$ for $n \geq 0$ and $j \in \{1, 2\}$.

For each n , let a_n be a left-most point of \hat{A}_n as in Corollary 5.4. There is $j \in \{1, 2\}$ such that $a_{n_k} \in \hat{A}_{n_k}^j$ for an infinite sequence (n_k) . Without loss of generality, we may suppose that $j = 1$; we shall show that $\hat{A}^2 \subset \hat{A}^1$.

Let $z \in \hat{A}^2 \setminus \{\infty\}$, and set $z_k := F^{n_k}(z)$. We claim that, for all k , the point z_k satisfies $I_{z_k} \cap \hat{A}_{n_k}^1 \neq \emptyset$, and hence $\text{dist}(z_k, \hat{A}_{n_k}^1 \setminus \{\infty\}) \leq 2\pi$. If $z_k \in I_{a_{n_k}}$, this is trivial. Otherwise, I_{z_k} separates a_{n_k} from ∞ in the tract T_{n_k} by Corollary 5.4. Hence I_{z_k} does indeed intersect $\hat{A}_{n_k}^1$.

By the expanding property of F – more precisely, by Lemma 3.8, applied to the sets $\{z\}$ and $\hat{A}^1 \setminus \{\infty\}$ – we have $z \in \hat{A}^1$, as claimed. ■

We next use a similar argument to show that nonescaping points are also terminal points of Julia continua, as claimed in Theorem 2.3.

5.8. Theorem (Nonescaping points are terminal).

Let $F \in \mathcal{B}_{\log}$ be of disjoint type, and let \hat{C} be a Julia continuum of F . If $\zeta_0 \in \hat{C} \setminus \{\infty\}$ is nonescaping, then ζ_0 is a terminal point of \hat{C} , and \hat{C} is irreducible between ζ_0 and ∞ .

Proof. Let $\underline{s} = T_0 T_1 \dots$ be the address of \hat{C} . Since ζ_0 is a nonescaping point, there is a number $R > 0$ and a sequence (n_k) such that $\text{Re } \zeta_k < R$ for all k , where $\zeta_k := F^{n_k}(\zeta_0)$. By Observation 3.4, we can find a constant $Q > 0$, independent of k , with the following property: Any two points in T_{n_k} having real part at most R can be connected by a curve $\gamma \subset T_{n_k}$ that consists entirely of points at real parts less than Q .

Let $\hat{A}^1, \hat{A}^2 \subset \hat{C}$ be subcontinua both containing z_0 . Similarly as in the preceding proof, let us set $\hat{A} := \hat{A}^1 \cup \hat{A}^2$, and let b_k be a right-most point of $\hat{A}_k := F^{n_k}(\hat{A})$. By relabelling, and by passing to a further subsequence if necessary, we may assume that $b_k \in \hat{A}_k^1 := F^{n_k}(\hat{A}^1)$. We shall show that $\hat{A}^2 \subset \hat{A}^1$.

Let $z \in \hat{A}^2$, and consider the point $z_k := F^{n_k}(z)$. By Corollary 3.9, we have $\max(\operatorname{Re} z_k, \operatorname{Re} \zeta_k) \rightarrow \infty$, and hence $\operatorname{Re} z_k \geq Q$ when k is chosen sufficiently large. In particular, if a_k is a left-most point of \hat{A}_k , then $a_k \notin I_{z_k}$. By Corollary 5.4, either $b_k \in I_{z_k}$, or the segment I_{z_k} separates a_k from b_k . Recall that I_{z_k} does not separate a_k from ζ_k by choice of Q ; so in the latter case, I_{z_k} also separates ζ_k from b_k . Hence $I_{z_k} \cap \hat{A}_k^1 \neq \emptyset$ in either case. By Lemma 3.8, it follows that $z \in \hat{A}^1$.

This proves that ζ_0 is a terminal point. Furthermore, if $\hat{A}^1 \subset \hat{C}$ is a continuum containing both ζ_0 and ∞ , then we can choose $\hat{A}^2 = \hat{C}$ in the above argument, and conclude that $\hat{C} \subset \hat{A}^1$. Thus \hat{C} is indeed irreducible between ζ_0 and ∞ . \blacksquare

We next prove the claim in Theorem 2.3 that concerns the Hausdorff dimension of the set of nonescaping points in a given Julia continuum, showing that this set is geometrically rather small. (We refer to [Fal90] for the definition of Hausdorff dimension.)

5.9. Proposition (Hausdorff dimension of nonescaping points with a given address).

Let $F \in \mathcal{B}_{\log}$ be of disjoint type, and let \hat{C} be a Julia continuum of F . Then the Hausdorff dimension of the set of nonescaping points in \hat{C} is zero.

Proof. If z is a nonescaping point, then there is $K > 0$ such that $\operatorname{Re} F^n(z) \leq K$ infinitely often. So the set of nonescaping points in $\hat{C} = J_{\underline{s}}(F)$ can be written as

$$J_{\underline{s}}(F) \setminus I(f) = \bigcup_{K=0}^{\infty} \bigcap_{n_0=0}^{\infty} \bigcup_{n=n_0}^{\infty} F_{\underline{s}}^{-n}(\{z \in T_n : \operatorname{Re} z \leq K\}),$$

where $\underline{s} = T_0 T_1 \dots$ is the address of \hat{C} .

Since a countable union of sets of Hausdorff dimension zero has Hausdorff dimension zero, it is sufficient to fix K and show that the set

$$S(K) := \bigcap_{n_0 \in \mathbb{N}} \bigcup_{n \geq n_0} F_{\underline{s}}^{-n}(\{z \in T_n : \operatorname{Re} z \leq K\})$$

has Hausdorff dimension zero.

Let $K > 0$. By Observation 3.4, there is a number $\Delta = \Delta(K)$ such that, for all n , the set of points in T_n with real part $\leq K$ has diameter at most Δ in the hyperbolic metric of H .

Keeping in mind that the map $F : T_n \rightarrow H$ is a hyperbolic isometry, it follows that

$$\operatorname{diam}_{T_0}(F_{\underline{s}}^{-n}(\{z \in T_n : \operatorname{Re} z \leq K\})) \leq \Delta \cdot \Lambda^{-(n-1)}$$

for $n \geq 1$, where $\Lambda > 1$ is the expansion constant from Proposition 3.7. By the standard bound (2.2), the Euclidean diameter of this set is hence bounded by $2\pi \cdot \Delta \cdot \Lambda^{-(n-1)}$.

Let $t > 0$. Then for every $n_0 \geq 1$, the t -dimensional Hausdorff measure of $S(K)$ is bounded from above by

$$\begin{aligned} \liminf_{n_0 \rightarrow \infty} \sum_{n \geq n_0} \text{diam}(F_{\underline{s}}^{-n}(\{z \in T_n : \text{Re } z \leq K\}))^t &\leq \liminf_{n_0 \rightarrow \infty} \sum_{n \geq n_0} (2\pi \cdot \Delta \cdot \Lambda^{-(n-1)})^t \\ &= (2\pi\Delta)^t \cdot \lim_{n_0 \rightarrow \infty} \sum_{n \geq n_0-1} (\Lambda^{-t})^n = 0. \end{aligned}$$

Thus $\dim(S(K)) \leq t$. Since $t > 0$ was arbitrary, we have $\dim(S(K)) = 0$, as claimed. \blacksquare

To complete the proof of the first half of Theorem 2.3, our final topic in this section is the study of points in $J(F)$ that are accessible from $H \setminus J(F)$.

5.10. Theorem (Accessible points).

Let $F \in \mathcal{B}_{\log}^{\text{p}}$ be of disjoint type, and let $\hat{C} = C \cup \infty$ be a Julia continuum of F . Suppose that $z_0 \in C$ is accessible from $\mathbb{C} \setminus J(F)$.

Then z_0 is a terminal point of \hat{C} , and \hat{C} is irreducible between z_0 and ∞ . Furthermore, z_0 is the unique point of \hat{C} that is accessible from $\mathbb{C} \setminus J(F)$, and $\hat{C} \setminus \{z_0\} \subset I(F)$.

Remark. In particular, any Julia continuum containing more than one nonescaping point (such as those that will be constructed in Section 11 to prove the final part of Theorem 2.3) cannot contain any accessible points.

Proof. Let γ be an arc that connects ∂H to z_0 without intersecting $J(F)$ in any other points. Then, for every $n \geq 0$, the image $F^n(\gamma)$ contains a piece that connects $F^n(z_0)$ to ∂H .

Let a_n be a left-most point of $C_n := F^n(C)$, and let γ_n be a piece of $F^n(\gamma)$ that connects $F^n(z_0)$ with a point of real part $\text{Re } a_n$, containing no point of real part less than $\text{Re } a_n$. Since γ_n does not intersect the $2\pi i\mathbb{Z}$ -translates of C_n , it follows that the closed set

$$\tilde{C}_n := C_n \cup \gamma_n$$

is disjoint from its own $2\pi i\mathbb{Z}$ -translates. We can find a logarithmic tract \tilde{T}_n with $\tilde{T}_n \supset \tilde{C}_n$. (First shrink T_n around C_n to avoid the $2\pi i\mathbb{Z}$ -translates of γ_n , then add a small neighbourhood of γ_n .) The set \tilde{T}_n is not a tract of F , but will act as an auxiliary object to which we can apply Definition 5.2 and Corollary 5.4.

To show that z_0 is terminal, suppose that \hat{A}^1, \hat{A}^2 are subcontinua of \hat{C} both containing z_0 , and consider the sets

$$\hat{A}_n^1 := F^n(\hat{A}^1), \quad \hat{A}_n^2 := F^n(\hat{A}^2), \quad \text{and} \quad \hat{A}_n := \hat{A}_n^1 \cup \hat{A}_n^2 \cup \gamma_n.$$

Let b_n be a right-most point of \hat{A}_n ; we assume that the sets are labelled such that $b_n \in \hat{A}_n^1 \cup \gamma_n$ for infinitely many n . As before, Corollary 5.4 implies that $I_z \cap (\hat{A}_n^1 \cup \gamma_n) \neq \emptyset$ for every $z \in \hat{A}_n^2$. By Lemma 3.8, we thus have $z \in (\hat{A}^1 \cup \gamma) \cap \hat{C} = \hat{A}^1$, as required. As in the proof of Theorem 5.8, if $\hat{A}^1 \subset \hat{C}$ is a subcontinuum containing both z_0 and ∞ , then we may take $\hat{A}^2 = \hat{C}$, and see that $\hat{C} = \hat{A}^1$.

Now, suppose that $\zeta_0 \in C$ is a nonescaping point, say $\text{Re } F^{n_k}(\zeta_0) \leq R$ for a strictly increasing sequence (n_k) , and assume by contradiction that $\zeta_0 \neq z_0$. Set $\zeta_k := F^{n_k}(\zeta_0)$ and $z_k := F^{n_k}(z_0)$; then $\text{Re } z_k \rightarrow \infty$ by Corollary 3.9. In particular – for sufficiently large

k , and hence without loss of generality for all k – the segment I_{ζ_k} does not separate z_k from ∞ in T_{n_k} (recall Observation 3.4). It follows that the auxiliary tract \tilde{T}_{n_k} can be chosen such that I_{ζ_k} also does not separate z_k from ∞ in \tilde{T}_{n_k} . (We leave the details to the reader.)

Let ω_k be a left-most point of γ_{n_k} (so $\operatorname{Re} \omega_k = \operatorname{Re} a_{n_k}$). By Corollary 5.4, either $\omega_k \in I_{\zeta_k}$, or the segment I_{ζ_k} separates ω_k from infinity, and hence also from z_k , in \tilde{T}_{n_k} . Hence $I_{\zeta_k} \cap \gamma_{n_k} \neq \emptyset$ in either case. By Lemma 3.8, we have $\zeta_0 \in \gamma \cap \hat{C} = \{z_0\}$, which is a contradiction.

A similar argument shows that \hat{C} cannot contain two different accessible points. We omit the details since this fact is well-known (see e.g. [BK07, Corollary C' on p. 412]). Indeed, the set \hat{C} is precisely the impression of a unique prime end of $\mathbb{C} \setminus J(F)$, and hence contains at most one accessible point. ■

6. UNIFORM ESCAPE

We next discuss the connection between topological properties of Julia continua and escaping composants, proving Theorem 2.9.

6.1. Definition (Escaping composants for $F \in \mathcal{B}_{\log}$).

Let $F \in \mathcal{B}_{\log}$ be of disjoint type, and let \underline{s} be an admissible external address. If $z \in I_{\underline{s}}(F)$, then the *escaping composant* of z , denoted $\mu(z) := \mu_{\underline{s}}(z) := \mu_{\underline{s}}(F, z)$, is the union of all connected sets $A \subset J(F)$ with $z \in A$ for which $\operatorname{Re} F^n|_A$ converges to infinity uniformly.

We also define

$$\mu_{\underline{s}}(\infty) := \mu_{\underline{s}}(F, \infty) := \{z \in J_{\underline{s}}(F) : \text{there is an unbounded, closed, connected set } A \subset J_{\underline{s}}(F) \text{ such that } z \in A \text{ and } \operatorname{Re} F^n|_A \rightarrow \infty \text{ uniformly}\}.$$

Remark 1. The set $\mu_{\underline{s}}(\infty)$ appears implicitly in [Rem07, Corollary 3.4], which implies that it is always connected as a subset of the complex plane. In particular, if $z \in \mu_{\underline{s}}(\infty)$, then $\mu_{\underline{s}}(z) = \mu_{\underline{s}}(\infty)$.

Remark 2. Suppose that F is the logarithmic transform of an entire function f . Then, for $z \in \mathbb{C}$, $\exp(\mu_{\underline{s}}(F, z))$ agrees precisely with the escaping composant $\mu(\exp(z))$ of f as given in Definition 2.8. The escaping composant $\mu(\infty)$ of f is given by $\mu(\infty) = \bigcup_{\underline{s}} \exp(\mu_{\underline{s}}(F, \infty))$.

In [Rem07, Proposition 3.2], an unbounded and connected subset of $I_{\underline{s}}(F)$ is constructed whose points escape “as fast as possible” in a certain sense. This shows that $\mu_{\underline{s}}(\infty)$ is non-empty, and suggests the following definition.

6.2. Definition (\underline{s} -fast escaping points).

Let $F \in \mathcal{B}_{\log}$ be of disjoint type, and let $\underline{s} = T_0 T_1 \dots$ be an admissible external address. We say that a point $z \in J_{\underline{s}}(F)$ belongs to the *\underline{s} -fast escaping set* $A_{\underline{s}}(F)$ if there exists an open set D_0 intersecting $J_{\underline{s}}(F)$ with the following property: If we inductively define $D_{n+1} := F(T_n \cap D_n)$, then $F^n(z)$ belongs to the unbounded connected component of $T_n \setminus D_n$ for all n .

Remark. The definition is reminiscent of, and motivated by, the description of the *fast escaping set* $A(f)$ of an entire function that was given by Rippon and Stallard [RS05]. However, we note that there is no simple relation between the two sets. Indeed, it is not only possible that the \underline{s} -fast escaping set contains points that are not “fast” for the global function, but also that some points that are “fast” for the global function may not belong to $A_{\underline{s}}(F)$. We shall not discuss this relation further here.

The following proposition is essentially a restatement of [Rem07, Proposition 3.2]. However, the terminology there is slightly different, so for completeness and for the reader’s convenience, we shall give a self-contained proof here.

6.3. Proposition (Existence of \underline{s} -fast escaping points).

Let $F \in \mathcal{B}_{\log}$ be of disjoint type, and let \underline{s} be an admissible external address. For every $z \in A_{\underline{s}}(F)$, there is an unbounded closed connected set $X \subsetneq A_{\underline{s}}(F)$ that contains z , and on which the iterates escape to infinity uniformly. In particular, $A_{\underline{s}}(F) \subset \mu_{\underline{s}}(F, \infty)$. Furthermore, $A_{\underline{s}}(F)$ is dense in $J_{\underline{s}}(F)$.

Proof. Let $\underline{s} = T_0 T_1 T_2 \dots$, and let $D_0 \subset T_0$ be a disc that intersects $J_{\underline{s}}(F)$. We define $D_{n+1} := F(T_n \cap D_n)$ as in Definition 6.2, and let $X_n = X_n(D_0)$ be the unbounded connected component of $T_n \setminus D_n$. Then $F_{T_n}^{-1}(\overline{X_{n+1}}) \subset X_n$ by definition. It follows that

$$\hat{X} := \hat{X}(D_0) := \bigcap_{n \geq 0} F_{\underline{s}}^{-n}(\overline{X_n}) \cup \{\infty\}$$

is a compact and connected set containing both z and ∞ . Furthermore, the subset $X = X(D_0) := \hat{X}(D_0) \setminus \{\infty\}$ is contained in $A_{\underline{s}}(F)$ by definition, and it is connected since ∞ is a terminal point of \hat{C} .

Observe that $\overline{X_n} \cap \partial D_n \neq \emptyset$ for all n , and hence $X \cap \partial D_0 \neq \emptyset$. Since we can apply the construction to any disc D_0 around any point $z_0 \in J_{\underline{s}}(F)$, this implies density of $A_{\underline{s}}(F)$ in $J_{\underline{s}}(F)$. Since X is a closed proper subset of $J_{\underline{s}}(F)$, this also proves $X \subsetneq A_{\underline{s}}(F)$.

To show that points in X escape to infinity uniformly, we shall use the following general observation (see [Rem07, Lemma 3.1]).

Claim. For every $R > 0$, there is a number $Q > 0$ with the following property. If T is a tract of F , and $z, w \in T$ with $\operatorname{Re} w \leq R$ and $\operatorname{Re} z \geq Q$, then the vertical line segment I_z of length 4π centred on z separates w from ∞ in T .

Proof. This follows immediately from Observation 3.4 and Corollary 5.4. \triangle

Let $z_0 \in D_0 \cap J_{\underline{s}}(F)$, and set $z_n := F^n(z_0)$. Let $\varepsilon > 0$ be sufficiently small that D_0 contains a hyperbolic ball of radius ε around z_0 in the hyperbolic metric of the range H of F . Then $\operatorname{dist}_H(X_n, z_n) \geq \varepsilon \cdot \Lambda^n$, where $\Lambda > 1$ is the expansion factor from Proposition 3.7. Now let $R > 0$ be arbitrary and let $Q > 0$ be as in the claim. For sufficiently large n , the hyperbolic ball of radius $\varepsilon \cdot \Lambda^n$ around z_n contains a Euclidean ball of radius 2π around a point of real part at least Q . Hence $\operatorname{Re} F^n(z) > R$ for all $z \in X$. So we have indeed shown that $X \subset \mu_{\underline{s}}(\infty)$, as claimed. \blacksquare

Interestingly, it turns out that we can define $A_{\underline{s}}(F)$ purely using the topology of $\hat{J}_{\underline{s}}(F)$:

6.4. Proposition (Topological composants and uniform escape).

Let $F \in \mathcal{B}_{\log}$ be of disjoint type, and let \underline{s} be an admissible external address of F . Then $\hat{A}_{\underline{s}}(F) := A_{\underline{s}}(F) \cup \{\infty\}$ is the topological composant of ∞ in $\hat{J}_{\underline{s}}(F)$.

In other words, $\hat{J}_{\underline{s}}(F)$ is irreducible between $z \in J_{\underline{s}}(F)$ and ∞ if and only if $z \notin A_{\underline{s}}(F)$.

Proof. By Proposition 6.3, $\hat{A}_{\underline{s}}(F)$ is contained in the topological composant of ∞ .

On the other hand, let $K \subsetneq \hat{J}_{\underline{s}}(F)$ be a proper subcontinuum containing ∞ ; we must show that $K \subset \hat{A}_{\underline{s}}(F)$. Since $\hat{J}_{\underline{s}}(F) \setminus K \neq \emptyset$, we see that $\hat{A}_{\underline{s}}(F) \setminus K \neq \emptyset$ by density of $\hat{A}_{\underline{s}}(F)$ (the final statement of Proposition 6.3). Hence, by the first part of Proposition 6.3, there is a continuum $A \subset \hat{A}_{\underline{s}}(F)$ with $\infty \in A$ and $A \not\subset K$. Since ∞ is a terminal point of $\hat{J}_{\underline{s}}(F)$, we have $K \subset A \subset \hat{A}_{\underline{s}}(F)$, as desired. \blacksquare

6.5. Corollary (Characterisation of decomposability).

For every admissible address \underline{s} of a disjoint-type function $F \in \mathcal{B}_{\log}$, the set $J_{\underline{s}}(F) \setminus A_{\underline{s}}(F)$ is nonempty and connected. Moreover, the following are equivalent:

- (a) $\hat{J}_{\underline{s}}(F)$ is a decomposable continuum;
- (b) $J_{\underline{s}}(F) \setminus A_{\underline{s}}(F)$ is bounded.

Proof. Let us set $\hat{C} := \hat{J}_{\underline{s}}(F)$ and $\hat{A} := A_{\underline{s}}(F) \cup \{\infty\}$; so \hat{A} is the topological composant of ∞ in \hat{C} .

The set $B := J_{\underline{s}}(F) \setminus A_{\underline{s}}(F) = \hat{C} \setminus \hat{A}$ is nonempty because ∞ is a terminal point of \hat{C} , and hence a point of irreducibility by Proposition 3.14 (b). By Proposition 3.14 (d), B is connected. If \hat{C} is indecomposable, then B is unbounded by Proposition 3.14 (f).

On the other hand, suppose that \hat{C} is decomposable, say $\hat{C} = X \cup Y$, where X and Y are proper subcontinua, say with $\infty \in X$. Since ∞ is a terminal point of \hat{C} , we have $\infty \notin Y$, and hence $Y \subset J_{\underline{s}}(F)$ is bounded. Furthermore, $X \subset \hat{A}$ by the definition of topological composants, and hence $B \subset Y$ is bounded as claimed. \blacksquare

In many instances, the following statement will allow us to infer that there exist points in $I_{\underline{s}}(F) \setminus \mu_{\underline{s}}(F, \infty)$; i.e., escaping points that do not satisfy the ‘‘uniform Eremenko property’’ (UE) mentioned in the introduction.

6.6. Corollary (Escaping composants different from $\mu_{\underline{s}}$).

Let \underline{s} be an admissible address of a disjoint-type function $F \in \mathcal{B}_{\log}$.

- (a) Either $\min_{z \in J_{\underline{s}}(F)} \operatorname{Re} F^n(z) \rightarrow \infty$ as $n \rightarrow \infty$, and hence $\mu_{\underline{s}}(F, \infty) = J_{\underline{s}}(F)$, or $\mu_{\underline{s}}(F, \infty) = A_{\underline{s}}(F)$.
- (b) If $J_{\underline{s}}(F) \setminus A_{\underline{s}}(F)$ contains more than one point, then $I_{\underline{s}}(F) \setminus A_{\underline{s}}(F) \neq \emptyset$.
- (c) In particular, if $\#(J_{\underline{s}}(F) \setminus A_{\underline{s}}(F)) > 1$ and $J_{\underline{s}}(F)$ does not escape uniformly, then $I_{\underline{s}}(F) \setminus \mu_{\underline{s}}(F, \infty) \neq \emptyset$.

Proof. Recall that always $A_{\underline{s}}(F) \subset \mu_{\underline{s}}(\infty)$. Suppose that $\operatorname{Re} F^n(z)$ does not tend to infinity uniformly on $J_{\underline{s}}(F)$, and let $z \in \mu_{\underline{s}}(\infty)$. Then there is a closed, unbounded and connected set $K \subset J_{\underline{s}}(F)$ with $K \ni z$ such that $\operatorname{Re} F^n|_K \rightarrow \infty$ uniformly. By assumption, we have $K \neq J_{\underline{s}}(F)$, so $K \cup \{\infty\}$ is a proper subcontinuum of $\hat{J}_{\underline{s}}(F)$. Thus z belongs to

the topological component of ∞ in $\hat{J}_{\underline{s}}(F)$, and hence to $A_{\underline{s}}(F)$ by Proposition 6.4. This proves (a)

To prove (b), recall that the set $X := J_{\underline{s}}(F) \setminus A_{\underline{s}}(F)$ is connected by Corollary 6.5, and that the set of nonescaping points in $J_{\underline{s}}(F)$ has Hausdorff dimension zero by Proposition 5.9. Hence, if X contains more than one point, it must intersect $I(F)$. (Indeed, this intersection has Hausdorff dimension at least 1.)

Claim (c) is an immediate consequence of (a) and (b). \blacksquare

Proof of Theorem 2.9. Let $F \in \mathcal{B}_{\log}$ be a disjoint-type logarithmic transform of the disjoint-type entire function f , and let \underline{s} be an external address such that $\exp(J_{\underline{s}}(F)) = C$ (where \hat{C} is our original Julia continuum of f). Clearly it suffices to prove the claims for F and $\hat{J}_{\underline{s}}(F)$.

The first statement is a direct consequence of Proposition 6.4 and Corollary 6.6 (a).

If $\hat{J}_{\underline{s}}(F)$ is an indecomposable continuum, then by Corollary 6.5, $X := J_{\underline{s}}(F) \setminus A_{\underline{s}}(F)$ is unbounded, and hence $I_{\underline{s}}(F) \setminus \mu_{\underline{s}}(\infty) \neq \emptyset$ by Corollary 6.6.

On the other hand, suppose that \underline{s} is a periodic address of period p , and that $\hat{J}_{\underline{s}}(F)$ is decomposable. Then X is bounded by Corollary 6.5, and furthermore $F^p(X) = X$. (Indeed, $F(A_{\underline{s}}(F)) = A_{\sigma(\underline{s})}(F)$ for all addresses \underline{s} , where σ is the shift map. In particular, $F^p(A_{\underline{s}}(F)) = A_{\underline{s}}(F)$.) Hence all points in X have bounded orbits, and by Proposition 3.10 and Corollary 6.6 (a), $X = J_{\underline{s}}(F) \setminus \mu_{\underline{s}}(\infty)$ consists of a single periodic point. \blacksquare

7. ANGUINE TRACTS

We now turn to a class of functions for which we can say more about the topology of Julia continua.

7.1. Definition (Anguine tracts).

Let $F: \mathcal{T} \rightarrow H$ be a disjoint-type function in the class \mathcal{B}_{\log} . We say that a tract T is *anguine* if there exists a continuous function $\varphi: T \rightarrow [0, \infty)$ with $\varphi(z) \rightarrow \infty$ as $z \rightarrow \infty$ and a constant $K > 0$ such that

$$\text{diam}_H(\varphi^{-1}(t)) \leq K$$

for all t . If all tracts of F are anguine with the same constant K , then we say that F *has anguine tracts*.

Remark. Each tract of any iterate of F is contained in a tract of F . Hence any iterate of a function with anguine tracts also has anguine tracts.

The following two cases of anguine tracts are particularly important.

7.2. Definition (Bounded slope and bounded decorations).

Let $F: \mathcal{T} \rightarrow H$ be a disjoint-type function in the class \mathcal{B}_{\log} . We say that F has *bounded slope* if there exists a curve $\gamma: [0, \infty) \rightarrow \mathcal{T}$ and a constant K such that $\text{Re } \gamma(t) \rightarrow +\infty$ as $t \rightarrow \infty$ and

$$|\text{Im } \gamma(t)| \leq K \cdot \text{Re } \gamma(t)$$

for all t .

If $H = \mathbb{H}$, then we say that F has *bounded decorations* if there is a constant K such that

$$(7.1) \quad \text{diam}_{\mathbb{H}}(F_T^{-1}(\{\zeta \in \mathbb{H}: |\zeta| = \rho\})) \leq K$$

for all sufficiently large $\rho \geq 0$ and all tracts T of F .

If $H \neq \mathbb{H}$, then we say that F has bounded decorations if $\mu \circ F$ has bounded decorations, where $\mu: H \rightarrow \mathbb{H}$ is a conformal isomorphism that commutes with translation by $2\pi i$.

Remark 1. Let $f \in \mathcal{B}$, and let F be a logarithmic transform of f . Then f has bounded slope, as defined in the Introduction, if and only if F has bounded slope in the sense defined here (and vice versa). Indeed, both conditions are equivalent to saying that some tract of F – and hence all tracts of F – eventually lie within some fixed sector around the positive real axis, of opening angle less than π .

Remark 2. For a fixed tract T , it is easy to see that the condition (7.1) is preserved under post-composition of F with an affine automorphism of \mathbb{H} , allowing for a change of the constant K ; see also Proposition 7.4 below. Hence it makes sense to say that a logarithmic tract T itself has *bounded decorations* if (7.1) is satisfied for some conformal isomorphism $F: T \rightarrow \mathbb{H}$ with $F(\infty) = \infty$. If $F \in \mathcal{B}_{\log}^p$ has only finitely many tracts, up to translations from $2\pi i\mathbb{Z}$, then F has bounded decorations if and only if all tracts of F do.

7.3. Remark (Bounded slope and decorations preserved under approximation).

Suppose that the entire function f is obtained from $G \in \mathcal{B}_{\log}^p$ via Theorem 3.5. We claim that this can be done in such a way that, if G has bounded slope, so does f , and if G has bounded decorations, then so does any logarithmic transform F of f .

Indeed, for the first part of Theorem 3.5 (where the function f belongs to the Eremenko-Lyubich class), by [Bis15b], the maps F and G are *quasiconformally equivalent* in the sense of [Rem09], and it follows from [Rem09, Proof of Lemma 2.6] that the bounded-slope and the bounded-decorations conditions are each preserved under quasiconformal equivalence.

For the second part of Theorem 3.5, the logarithmic transform F of the function f as constructed in [Bis17] does not satisfy the bounded-decorations condition in general. Indeed, F has a number of “additional” tracts (not arising from tracts of G), and these need not have bounded decorations (see [Bis17, Figure 10]).

However, G is nonetheless quasiconformally equivalent to a restriction \tilde{F} of F (to the complement of the union of these “additional tracts”). As above, this shows that f has bounded slope, and that \tilde{F} has bounded decorations. This is in fact sufficient for the purposes of this article. However, it is not difficult to modify the construction from [Bis17] to ensure that the additional tracts also have (uniformly) bounded decorations; we omit the details.

The following observation makes it easy to verify the bounded decorations condition. (It will be used in the second part of the paper.)

7.4. Proposition (Characterization of bounded decorations).

Let T be a logarithmic tract, let $\zeta_0 \in \partial T$, and let γ^+ and γ^- be the two connected

components of $(\partial T) \setminus \{\zeta_0\}$. (Recall that boundaries are always understood as subsets of \mathbb{C} .) The following are equivalent:

- (a) T has bounded decorations.
- (b) Every sufficiently large point $z \in \bar{T}$ can be connected to both γ^+ and γ^- by an arc in T whose hyperbolic diameter (in \mathbb{H}) is uniformly bounded independently of z .

Proof. If T has bounded decorations, then (b) is clearly satisfied (use an arc of the curve from (7.1) with $\rho = |F(z)|$). On the other hand, suppose that (b) holds, and let $F: T \rightarrow \mathbb{H}$ be a conformal isomorphism with $F(\infty) = \infty$. We may suppose for simplicity that $\bar{T} \subset \mathbb{H}$, and that $F^{-1}(0) = \zeta_0$. (Indeed, condition (b) is clearly independent of the choice of base-point ζ_0 .) So, up to reordering, $\gamma^+ = F^{-1}(i \cdot (0, \infty))$ and $\gamma^- = F^{-1}(i \cdot (-\infty, 0))$.

Let K be a constant such that every point of \bar{T} can be connected to both γ^- and γ^+ by a curve $\alpha(z)$ of hyperbolic diameter at most K ; observe that every $\alpha(z)$ intersects $F^{-1}([0, \infty))$. Fix $r > 0$. We claim that, for $\sigma \in \{+, -\}$, the curve

$$\tilde{\alpha}^\sigma := \{F^{-1}(z) : |z| = r \text{ and } \sigma \operatorname{Im} z > 0\}$$

has hyperbolic diameter at most $C \cdot K$, for a suitable constant C independent of r .

Indeed, by [Pom92, Lemma 4.21], there is a universal constant $C > 0$ such that

$$\operatorname{diam}_{\mathbb{H}}(\tilde{\alpha}^\sigma) \leq C \cdot \operatorname{diam}_{\mathbb{H}}(\alpha)$$

for every curve α connecting $F^{-1}(\sigma ir)$ to $F^{-1}(\mathbb{R})$. Hence

$$\operatorname{diam}_{\mathbb{H}}(\tilde{\alpha}^\sigma) \leq C \cdot \operatorname{diam}_{\mathbb{H}}(\alpha(F^{-1}(\sigma ir))) \leq CK,$$

as claimed. (Note that the result in [Pom92] is stated for *Euclidean* rather than hyperbolic diameter, but holds equally in the hyperbolic setting. We also remark that only the case where the Euclidean diameter of $\alpha(z)$ is bounded will be used in our paper.) Of course, the same argument applies to $\tilde{\gamma}^-$. ■

7.5. Observation (Examples of anguine tracts).

If the disjoint-type function $F \in \mathcal{B}_{\log}$ has bounded slope or bounded decorations, then F has anguine tracts.

Proof. First suppose that $F: \mathcal{T} \rightarrow H$ has bounded decorations. Set $\varphi(z) := |\mu(F(z))|$, where μ is as in the definition of bounded decorations (so $\mu = \operatorname{id}$ if $H = \mathbb{H}$). Then $\varphi^{-1}(t)$ has bounded hyperbolic diameter for all sufficiently large t by definition, and for the remaining t by continuity (recall that F is of disjoint type).

In the case of bounded slope, the desired function φ is given by $\varphi(z) := \operatorname{Re} z$. Indeed, suppose that γ is a curve as in the definition of bounded slope. If T is a tract of F , then T must tend to infinity between two $2\pi i\mathbb{Z}$ -translates of γ that lie $4\pi i$ apart. By the bounded slope assumption, the intersection of γ (and hence of any of its translates) with the line $L_R := \{\operatorname{Re} z = R\}$ is contained in an interval of length at most $C \cdot R$ for some $C > 0$. Thus – again assuming R is sufficiently large, say $R \geq R_0$ – the set $\varphi^{-1}(R)$, which is the intersection of T with L_R , is contained in an interval of length $C \cdot R + 4\pi$, and hence has bounded hyperbolic diameter. For $t \leq R_0$, the hyperbolic diameter of $\varphi^{-1}(t)$ is bounded by 3.4. ■

The key reason for the above definitions is given by the following observation, which (together with Theorem 5.7) completes the proof of the first half of Theorem 1.3.

7.6. Proposition (Anguine tracts imply arc-like continua).

Suppose that F has anguine tracts. Then every Julia continuum of F is arc-like.

Proof. Let $\underline{s} = T_0T_1T_2\dots$ be the external address of a Julia continuum \hat{C} . For each T_j , let $\varphi_j: T_j \rightarrow [0, \infty)$ be a function from the definition of anguine tracts. Recall that there is $K > 0$ such that $\text{diam}_H(\varphi_j^{-1}(t)) \leq K$ for all j and t . We define

$$g_j: \hat{C} \rightarrow [0, \infty]; \quad g_j(z) := \begin{cases} \varphi_j(F^j(z)) & \text{if } z \in C \\ \infty & \text{if } z = \infty. \end{cases}$$

By Proposition 3.7 (hyperbolic expansion), there is $\Lambda > 1$ such that

$$\text{diam}_H(g_j^{-1}(t)) = \text{diam}_H(F_{\underline{s}}^{-j}(\varphi_j^{-1}(t))) \leq \Lambda^{-j} \cdot \text{diam}_H(\varphi_j^{-1}(t)) \leq \frac{K}{\Lambda^j}$$

for all $t \in [0, \infty)$. It follows that \hat{C} is arc-like. ■

Remark. Note that, for functions with anguine tracts, many of the results from Section 5 regarding terminal points can be proved much more directly. For example, the maps g_j constructed in the above proof have $\varepsilon(\infty) = \infty$, and it follows immediately that ∞ is terminal for \hat{C} (compare Proposition 9.2 below).

Our final result in this section proves one direction of Theorem 2.7, concerning the topology of periodic Julia continua.

7.7. Theorem (Invariant continua in anguine tracts).

Let $F \in \mathcal{B}_{\log}$ be of disjoint type such that each tract of F is anguine, and suppose that \hat{C} is a periodic Julia continuum of F . Let z_0 be the unique periodic point of F in \hat{C} . Then \hat{C} is a Rogers continuum from z_0 to ∞ .

Remark. In the case where \hat{C} is decomposable, this follows from the main theorem of [Rog70]. We do not require this observation.

Proof. By passing to an iterate, we may assume that \hat{C} is invariant. That is, we are in the situation where T is an anguine logarithmic tract, $F: T \rightarrow H$ is a conformal isomorphism and \hat{C} consists of all points that stay in T under iteration, together with ∞ .

Let φ and K be as in the definition of anguine tracts. Recall that the hyperbolic diameter of $\varphi^{-1}(t)$ is bounded by K , independently of t . By restricting the function F to a slightly smaller domain, we may assume that φ extends continuously to the boundary of T . Increasing K if necessary, we additionally suppose that $\varphi(z_0) = 0$, and, in particular, that φ is surjective.

Let us define a sequence $\zeta_j \in T$ inductively as follows. Let $\zeta_0 := z_0$. For $j \geq 0$, let $\zeta_{j+1} \in \bar{T}$ be a point with $\text{dist}_H(\zeta_j, \zeta_{j+1}) = 3K$ such that $\varphi(\zeta_{j+1}) > \varphi(\zeta_j)$ and such that $\varphi(\zeta_{j+1})$ is minimal with this property. To see that such a point exists, note that $\varphi^{-1}(\varphi(\zeta_j))$ is contained in the hyperbolic disc of radius $3K$ around ζ_j . Hence the boundary of the disc must contain some points of $\varphi^{-1}((\varphi(\zeta_j), \infty))$ by continuity and surjectivity of φ , as well as connectedness of T .

We claim that $x_j := \varphi(\zeta_j) \rightarrow \infty$. Indeed, the sequence x_j is increasing by construction. Suppose its limit was a finite value $\hat{x} < \infty$. Since $\text{diam}_H(\varphi^{-1}(\hat{x})) \leq K$, by continuity of φ there is a small interval J around \hat{x} such that $\text{diam}(\varphi^{-1}(J)) < 2K$. But this contradicts the fact that $\varphi(\zeta_j) \in J$ for all sufficiently large j , and that $\text{dist}_H(\zeta_j, \zeta_{j+1}) = 3K$.

Postcomposing φ with a homeomorphism $[0, \infty] \rightarrow [0, \infty]$, we may assume for simplicity that $x_j = j$ for all j . Observe that, by construction, any point in $\varphi^{-1}([j, j+1])$ has hyperbolic distance at most $4K$ from ζ_j , and hence

$$(7.2) \quad \text{diam}_H(\varphi^{-1}([j, j+1])) \leq 6K \quad \text{for all } j \geq 0.$$

For $n \geq 0$, we now define a function $h_n: [0, \infty) \rightarrow [0, \infty)$ by setting

$$h_n(4j) := \varphi(F^{-n}(\zeta_{4j})),$$

for $j \geq 0$ and interpolating linearly between these points. Observe that $h_n(0) = 0$.

Claim 1. If n is sufficiently large, then $\text{diam}(\varphi(F^{-n}(A))) \leq 2$ whenever $A \subset H$ with $\text{diam}_H(A) \leq 32K$. In particular,

- (1) $\text{diam}(\varphi(F^{-n}(\varphi^{-1}([4j, 4(j+1)])))) \leq 2$ for all j ;
- (2) $|h_n(x) - h_n(y)| \leq |x - y|/2$ for all $x, y \in \mathbb{R}$, and
- (3) $h_n(x) < x$ for all $x > 0$.

Proof. Let n be sufficiently large to ensure that $\Lambda^{n-1} > 64$, where Λ is once more the expansion factor from Proposition 3.7. Then, in the hyperbolic metric of T , the diameter of $F^{-n}(A)$ is less than $K/2$. Let B be an open hyperbolic disc of T , of radius K and centred at a point of $F^{-n}(A)$. Then $\varphi(B) \subset [0, \infty)$ is connected. Furthermore, $\varphi(B)$ can contain at most one integer, since the hyperbolic distance between any point of $\varphi^{-1}(m)$ and any point of $\varphi^{-1}(m+1)$ is at least K , by construction. Hence $\varphi(F^{-n}(A)) \subset \varphi(B)$ has diameter at most 2, as claimed.

By (7.2), the hyperbolic diameter (in H) of $A_j := \varphi^{-1}([4j, 4(j+1)])$ is bounded by $32K$ (independently of j). Hence (1) follows. In particular, we have $|h_n(x) - h_n(y)| \leq 2$ for $x = 4j$ and $y = 4(j+1)$. This implies that the slope of h_n on each interval of linearity is at most $1/2$, establishing (2). Claim (3) follows from (2), using $y = 0$. \triangle

Let us set $h := h_n$, where n is as in the claim. The construction is carried out so that φ is a pseudo-conjugacy between the (autonomous) inverse systems generated by $F_T^{-n}: \bar{T} \rightarrow \bar{T}$ (with the hyperbolic metric on H) and $h: [0, \infty) \rightarrow [0, \infty)$ (with the usual metric), in the sense of Section 4.

Claim 2. For all $z \in \bar{T}$, $|h(\varphi(z)) - \varphi(F^{-n}(z))| \leq 4$.

Proof. Choose $j \geq 0$ such that $\varphi(z) \in [4j, 4(j+1)]$. Recall from Claim 1 that both $h([4j, 4(j+1)])$ and $\varphi(F^{-n}(\varphi^{-1}([4j, 4(j+1)])))$ have diameter at most 2. Hence both $h(\varphi(z))$ and $\varphi(F^{-n}(z))$ have distance at most 2 from the point $h(4j)$, and the claim follows. \triangle

It follows that φ is indeed a pseudo-conjugacy between the two inverse systems mentioned above. Indeed, Claim 2 is precisely property (a) of the definition, while φ is surjective and hence satisfies (b). Property (c) follows from Claim 1, observing that a hyperbolic disc of some fixed radius can be covered by a fixed number of hyperbolic discs of radius $32K$. In the same manner, (7.2) implies (d).

By Claim 1, the system $(h, [0, \infty))$ is (uniformly) expanding, while the system (F^{-n}, \bar{T}) is uniformly expanding by Proposition 3.7. Proposition 4.6 yields a homeomorphism $\vartheta: C \rightarrow X := \varprojlim ([0, \infty), h)$ which conjugates F^{-n} and the natural map $\tilde{h}: X \rightarrow X$ induced on the inverse limit. Since h extends continuously to ∞ with $h(\infty) = \infty$, it follows from (4.2) that ϑ extends continuously to a map between the one-point compactifications \hat{C} and $\hat{X} := \varprojlim ([0, \infty], h) = X \cup \{\infty \leftarrow \infty \leftarrow \dots\}$.

The conjugacy ϑ maps z_0 to the unique fixed point $0 \leftarrow 0 \leftarrow \dots$ of \tilde{h} in X . (This also follows directly from the fact that $\varphi(z_0) = 0$ and Observation 4.7.) \blacksquare

8. HOMEOMORPHIC SUBSETS OF JULIA CONTINUA

To conclude this part of the paper, we shall establish that any two bounded-address Julia continua of an entire function with a single tract are (ambiently) homeomorphic. More generally, we establish a technical statement about homeomorphisms between subsets of Julia continua that has a number of interesting consequences. In particular, Corollary 8.7 below will allow us to establish Theorem 1.5 in Section 14.

8.1. Proposition (Julia continua with similar addresses).

Let $F \in \mathcal{B}_{\log}^{\text{p}}$ be of disjoint type. Let $\underline{s} = T_0 T_1 \dots$ be an external address, let $(m_j)_{j \geq 0}$ be a sequence of integers, and consider the address $\underline{s}^1 = T_0^1 T_1^1 \dots$ where $T_j^1 = T_j + 2\pi i m_j$.

Suppose that $\hat{K} \subset \hat{J}_{\underline{s}}$ is compact, and that there is $\delta > 0$ such that

$$(8.1) \quad \delta \cdot |m_j| \leq \max(1, \operatorname{Re} F^j(z))$$

for all $z \in \hat{K} \cap \mathbb{C}$ and all $j \geq 0$.

Then there exists a compact subset $\hat{A} \subset \hat{J}_{\underline{s}^1}$ and a homeomorphism $\vartheta: \hat{K} \rightarrow \hat{A}$, with the property that

$$(8.2) \quad d_H(F^n(z), F^n(\vartheta(z))) \leq C$$

for all $z \in \hat{K} \cap \mathbb{C}$ and $n \geq 0$. (Here the constant C depends on F and δ , but not otherwise on \hat{K} , \underline{s} and \underline{s}^1 .) In particular, if $\infty \in \hat{K}$, then $\infty \in \hat{A}$ and $\vartheta(\infty) = \infty$.

Remark. The reader may wish to keep in mind the simplest case, where F has a single tract, \underline{s} is a fixed address and \underline{s}^1 is a bounded address, so that the sequence $|m_j|$ is uniformly bounded. In this case we can take $\hat{K} = \hat{J}_{\underline{s}}$, and it follows easily that $\hat{A} = \hat{J}_{\underline{s}^1}$ (see Corollary 8.2 below); so the two Julia continua are homeomorphic.

Proof. This is essentially a non-autonomous version of the argument used in [Rem09] to construct conjugacies between subsets of Julia sets of different functions in the class $\mathcal{B}_{\log}^{\text{p}}$. Here we can interpret it as a special case of the conjugacy principle in Proposition 4.6.

Indeed, let us consider two inverse systems $(X_j, f_{j+1})_{j \geq 0}$ and $(Y_j, g_{j+1})_{j \geq 0}$, defined as follows. The first system consists of $X_j := F^j(\hat{K} \cap \mathbb{C})$, with the hyperbolic metric in the range H of F , and $f_{j+1} := F_{T_j}^{-1}$. To define the second system, fix a constant $M > 0$, and define Y_j to consist of all points having hyperbolic distance (in H) at most M from X_j . We also define $g_{j+1} := F_{T_j^1}^{-1}: H \rightarrow T_j^1$. As we shall see below, if M is sufficiently large, then $g_{j+1}(Y_{j+1}) \subset Y_j$, so (Y_j, g_{j+1}) defines an inverse system (again endowed with the hyperbolic metric on H).

Define maps $\psi_j: X_j \rightarrow T_j^1$ by $\psi_j(z) := z + 2\pi i m_j$; then $g_j = \psi_{j-1} \circ f_j$ for $j \geq 1$. By (2.1) and (8.1), there is a constant $\rho > 0$ (depending only on F and δ) such that

$$\text{dist}_H(z, \psi_j(z)) \leq \rho$$

for all $j \geq 0$ and $z \in X_n$. Hence

$$(8.3) \quad \text{dist}_H(\psi_{j-1}(f_j(z)), g_j(\psi_j(z))) = \text{dist}_H(g_j(z), g_j(\psi_j(z))) \leq \rho/\Lambda$$

for $j \geq 1$ and $z \in X_j$, where Λ is the expansion constant of F from Proposition 3.7.

Suppose now that M was chosen such that $M \geq \Lambda\rho/(\Lambda - 1)$, and let $z \in Y_j$, $j \geq 1$. By definition of Y_j , there is $\zeta \in X_j$ with $\text{dist}_H(z, \zeta) \leq M$, and

$$\begin{aligned} \text{dist}_H(g_j(z), f_j(\zeta)) &\leq \text{dist}_H(g_j(z), g_j(\zeta)) + \text{dist}_H(g_j(\zeta), f_j(\zeta)) \\ &= \text{dist}_H(g_j(z), g_j(\zeta)) + \text{dist}_H(\psi_{j-1}(f_j(\zeta)), f_j(\zeta)) \leq M/\Lambda + \rho \leq M. \end{aligned}$$

Thus indeed $g_j(z) \in Y_{j-1}$, and (Y_j, g_{j+1}) is an inverse system.

Both systems are expanding by Proposition 3.7. The sequence (ψ_j) is a pseudo-conjugacy with constant $(M + \rho)$ by (8.3), the definition of Y_j , and the fact that ψ_n is a hyperbolic isometry. Hence by Proposition 4.6, the two inverse limits are homeomorphic. Now $\varprojlim(X_j, f_{j+1})$ is homeomorphic to $X_0 = \hat{K} \cap \mathbb{C}$, and $\varprojlim(Y_j, g_{j+1})$ is homeomorphic to a closed subset $A \subset J_{\underline{s}^1}$, in both cases via projection to the first coordinate. Let ϑ be the homeomorphism between the two sets; then ϑ satisfies (8.2) by Proposition 4.6. If $\infty \notin \hat{K}$, then $\hat{A} := A$ has the desired properties. Otherwise, A is unbounded by (8.2), and ϑ extends to a homeomorphism between the one-point compactifications \hat{K} and \hat{A} . ■

8.2. Corollary (Homeomorphic Julia continua).

With the notation of the preceding Proposition, suppose that the sequence (m_j) is bounded. Then $J_{\underline{s}}(F)$ and $J_{\underline{s}^1}(F)$ are homeomorphic.

Proof. In this case, we may take $\hat{K} = J_{\underline{s}}(F)$ and $Y_j = T_j^1$ in the proof of Proposition 8.1, and we see that $A = J_{\underline{s}^1}(F)$. ■

8.3. Corollary (Bounded-address Julia continua are homeomorphic).

Suppose that $F \in \mathcal{B}_{\log}^{\text{p}}$ has only a single tract up to translation by integer multiples of $2\pi i$. Then any two Julia continua of F at bounded external addresses are homeomorphic.

For Julia continua at unbounded addresses, the situation is more complicated, as Theorem 1.3 shows. However, the following result shows that the topology of bounded-address Julia continua also influences the topology of (some) Julia continua at unbounded addresses.

8.4. Theorem (Subsets of bounded-address continua yield Julia continua).

Let $F \in \mathcal{B}_{\log}^{\text{p}}$ be of disjoint type and has bounded slope. Let $\hat{J}_{\underline{s}}$ be a Julia continuum at a bounded external address $\underline{s} = T_0 T_1 T_2 \dots$, and let $\hat{K} \subset \hat{J}_{\underline{s}}$ be a subcontinuum with $\{\infty\} \subsetneq \hat{K}$.

Then there is a Julia continuum $\hat{J}_{\underline{s}^1}$ of F homeomorphic to \hat{K} . The homeomorphism fixes ∞ , and \underline{s}^1 is of the form $\underline{s}^1 = (T_0 + 2\pi im_0)(T_1 + 2\pi im_1) \dots$ for some sequence $(m_n)_{n \geq 0}$ of nonnegative integers.

We shall use the following fact about preimages of “initial” pieces of tracts.

8.5. Proposition (Short preimages).

Let $F \in \mathcal{B}_{\log}$ be of disjoint type, say $F: \mathcal{T} \rightarrow H$. Also let $R_0 > 0$ be such that $[R_0, \infty) \subset H$, and let $\vartheta > 0$. Then there is a constant $C > 0$ with the following property. If T is a tract of F and $R \geq R_0$, then there is an integer $m \in [R/(2\pi), R/\pi + 1]$ such that

$$\text{diam}(F_T^{-1}(\{z + 2\pi im: \text{dist}_H(z, [R_0, R]) \leq \vartheta\})) \leq C.$$

If F also has bounded decorations, then there is $C' > 0$ such that

$$\text{diam}_H(F_T^{-1}(\{z + 2\pi im: \text{dist}_H(z, [R_0, R_0 + 2\pi|m|]) \leq \vartheta\}) \leq C'$$

for all tracts T and all $m \in \mathbb{Z}$, where H is the range of F .

Proof. Assume for simplicity that $H = \mathbb{H}$ and $R_0 = 1$. (Otherwise, replace F by its postcomposition with a conformal homeomorphism $H \rightarrow \mathbb{H}$ in what follows; observe that such a conformal map will not move R by more than a bounded hyperbolic distance.)

The harmonic measure of the interval $[Ri, 2Ri]$ in \mathbb{H} , as seen from R , is independent of R . As $\zeta := F_T^{-1}(R)$ has distance at most 2π from the boundary of T , it follows [Pom92, Corollary 4.18] that there is $t \in [R, 2R]$ such that the geodesic γ of T connecting ζ and $F_T^{-1}(ti)$ has Euclidean diameter bounded by a universal constant C_1 .

Set $m := \lceil t/2\pi \rceil \in [R/(2\pi), R/\pi] \cap \mathbb{N}$. Then the hyperbolic distance of any point in $[1, R] + 2\pi im$ to the circular arc $F(\gamma)$ connecting ti and R is uniformly bounded (by 3). So the distance between any point of $S := \{z + 2\pi im: \text{dist}_{\mathbb{H}}(z, [1, R]) \leq \vartheta\}$ and $F(\gamma)$ is bounded above (by $3 + \vartheta$). As $F: T \rightarrow \mathbb{H}$ is a conformal isomorphism, the distance between $F_T^{-1}(z)$ and γ in the hyperbolic metric of T is uniformly bounded, and the claim follows from the standard bound (2.2).

If F has bounded decorations, then in the above we can take any $t = 2\pi m$, and let γ be the geodesic of T connecting $F_T^{-1}(ti)$ to $F_T^{-1}(t)$. This geodesic has bounded hyperbolic length in H by assumption, and the remainder of the proof proceeds as above. \blacksquare

Proof of Theorem 8.4. Let R_0 be as in Proposition 8.5. By the bounded-slope condition, there is $\vartheta > 0$ such that $T_n \subset S := \{z: \text{dist}_H(z, [R_0, \infty)) \leq \vartheta\}$ for each of the (finitely many) tracts T_n . Set $m_0 := 0$. For $n \geq 0$, define $\hat{K}_n := F^n(\hat{K})$ and

$$R_n := \min_{z \in \hat{K}_n} \text{Re } z$$

for all $n \geq 0$. Also choose an integer m_{n+1} according to Proposition 8.5, using $T = T_n$ and $R = \max(1, R_{n+1})$. This choice determines the address \underline{s}^1 in the statement of the theorem; note that there is $\delta > 0$ such that $\delta \cdot m_n \leq \max(1, R_n)$ for all n .

By Proposition 8.1, there is a subset $A \subset \hat{J}_{\underline{s}^1}$ homeomorphic to \hat{K} , and the corresponding homeomorphism moves points by at most a finite hyperbolic distance. Moreover, for $n \geq 0$ and $z \in A_{n+1} := \{z + 2\pi im_{n+1}: z \in T_{n+1}, \text{Re } z \geq R_{n+1}\}$, the hyperbolic distance

from z to $\hat{K} \setminus \{\infty\}$ is uniformly bounded by $2\vartheta + 2\pi/\delta$. On the other hand,

$$\text{diam}(F_{T_n+2\pi im_n}^{-1}((T_{n+1} + 2\pi im_{n+1}) \setminus A_{n+1}))$$

is uniformly bounded by choice of m_n . It follows that

$$F^n(J_{\underline{s}^1}) \subset F_{T_n+2\pi im_n}^{-1}(T_{n+1} + 2\pi im_{n+1}) \subset Y_n,$$

where Y_n is the set constructed in the proof of Proposition 8.1 (provided M was chosen sufficiently large there). Therefore $A = \hat{J}_{\underline{s}^1}$, as required. \blacksquare

One may ask whether, for functions having bounded slope and bounded decorations, and with finitely many tracts, the bounded-address Julia continua completely determine the topological types of *all* Julia continua. We shall prove a weaker result in this direction.

8.6. Proposition (ε -dense subcontinua of Julia continua).

Let $F \in \mathcal{B}_{\log}^p$ be of disjoint type, with bounded slope and bounded decorations. Let $\underline{s} = T_0 T_1 T_2 \dots$ be a bounded external address of F , and let $\underline{s}^1 = (T_0 + 2\pi im_0)(T_1 + 2\pi im_1) \dots$ for some sequence $(m_n)_{n \geq 0}$ of integers.

Then every proper subcontinuum of $\hat{J}_{\underline{s}^1}$ containing ∞ is homeomorphic to some subcontinuum of $\hat{J}_{\underline{s}}$ containing ∞ .

More precisely, let $K \subset \hat{J}_{\underline{s}^1}$ be a non-degenerate continuum. Then for every $\varepsilon > 0$ there is a subcontinuum $K' \subset \hat{J}_{\underline{s}}$ and a continuous injective map

$$\varphi: K' \rightarrow K$$

such that every point of K has Euclidean distance at most ε from $\varphi(K')$. (That is, $\varphi(K')$ is ε -dense in K .) If $\infty \in K$, then $\infty \in K'$ and $\varphi(\infty) = \infty$.

Proof. To see that the first part of the proposition follows from the second, let $\tilde{K} \subset \hat{J}_{\underline{s}^1}$ be a proper subcontinuum containing infinity, and let $z \in \hat{J}_{\underline{s}^1} \setminus \tilde{K}$. Apply the second part of the Proposition with $K = \hat{J}_{\underline{s}^1}$ and $\varepsilon := \text{dist}(z, \tilde{K})/2$. Then $\varphi(K')$ is a subcontinuum of K with $\infty \in \varphi(K')$ and $\varphi(K') \not\subset \tilde{K}$. Since ∞ is a terminal point of K , we have $\tilde{K} \subset \varphi(K')$, and hence $\varphi^{-1}(\tilde{K})$ is indeed a subcontinuum of $\hat{J}_{\underline{s}}$ homeomorphic to \tilde{K} .

Now let K be a non-degenerate subcontinuum of $\hat{J}_{\underline{s}^1}$. The idea of the proof is as follows. For each n , we construct a subcontinuum K_n of $F^n(K)$, containing ∞ if K does, whose iterates $F^{j-n}(K_n)$ stay to the right of the line $L_j = \text{Re } z = 2\pi|m_j|$. By Proposition 8.1, there is a subcontinuum of $F^n(\hat{J}_{\underline{s}})$ homeomorphic to K_n . The bounded decorations condition ensures (via Proposition 8.5) that the part of $F^j(K)$ to the left of the line L_j shrinks to a set of bounded diameter when pulled back. This and the construction of K_n – which is similar to the proof of Proposition 6.3 – ensures that K_n is Δ -dense in $F^n(K)$, for some Δ independent of n . The claim now follows by pulling back under F^n ; if n is sufficiently large then the resulting continuum will be ε -dense in K .

To provide the details, let H be the range of F . Since F has bounded slope, there is $C > 0$ such that

$$(8.4) \quad \text{diam}_H(\{z \in T: \text{Re } z = x\}) \leq C$$

for all tracts T and all $x \geq 0$. By Proposition 8.5, if C is sufficiently large, then also

$$(8.5) \quad \text{diam}_H(F_T^{-1}(\{z + 2\pi im : z \in T_n \text{ and } \text{Re } z \leq 2\pi|m|\})) \leq C$$

for all $m \in \mathbb{Z}$, all tracts T and all $n \geq 0$.

Let $\Lambda > 1$ be the hyperbolic expansion factor of F , and set

$$\Delta := C \cdot \frac{\Lambda}{\Lambda - 1}.$$

We can assume without loss of generality that the set K has hyperbolic diameter greater than $C + \Delta$. (Otherwise, replace K by a suitable forward iterate.) By expansion, $F^n(K)$ has hyperbolic diameter greater than $C + \Delta$ for all $n \geq 0$.

For every choice of $n, j \geq 0$, we inductively define a continuum $K_n^j \subset F^n(K)$ as follows. Set $K_n^0 := F^n(K)$. If K_{n+1}^j has been defined, choose a point $\zeta_{n+1}^j \in K_{n+1}^j$ with maximal real part, and let \tilde{K}_{n+1}^j be the connected component of

$$\{z \in K_{n+1}^j : \text{Re } z \geq 2\pi|m_{n+1}|\}$$

that contains ζ_{n+1}^j . The proof of the claim below will show that $\text{Re } \zeta_{n+1}^j \geq 2\pi|m_{n+1}|$, so that such a component exists. We set

$$K_n^{j+1} := F_{T_n+2\pi im_n}^{-1}(\tilde{K}_{n+1}^j).$$

Claim. Let $n \geq 0$. Then the above construction defines a continuum K_n^j for every j , and furthermore every point of $F^n(K)$ has hyperbolic distance at most Δ from K_n^j .

Proof. We prove the claim by induction on j . It is trivial for $j = 0$.

Suppose that the claim is true for j (and all n). Since $F^n(K)$ has diameter greater than $\Delta + C$, for all n , it follows from (8.5) and the inductive hypothesis that K_{n+1}^j contains a point at real part greater than $2\pi|m_{n+1}|$. Hence \tilde{K}_{n+1}^{j+1} is indeed defined for all n .

Let $z \in F^n(K)$. By the inductive hypothesis, there is $\zeta_1 \in K_{n+1}^j$ at distance at most Δ from $F(z)$. By construction and the boundary bumping theorem (Theorem 3.12), there is a point $\zeta \in \tilde{K}_{n+1}^j$ with real part $\max(\text{Re } \zeta_1, 2\pi|m_{n+1}|)$. If $\text{Re } \zeta_1 \geq 2\pi|m_{n+1}|$, then

$$\text{dist}_H(F_{T_n+2\pi im_n}^{-1}(\zeta), F_{T_n+2\pi im_n}^{-1}(\zeta_1)) < \text{dist}_H(\zeta, \zeta_1) \leq C$$

by (8.4). Otherwise,

$$\text{dist}_H(F_{T_n+2\pi im_n}^{-1}(\zeta), F_{T_n+2\pi im_n}^{-1}(\zeta_1)) \leq C$$

by (8.5). So $\text{dist}_H(z, K_n^{j+1}) \leq C + \Delta/\Lambda = \Delta$, as required. \triangle

The inductive construction ensures that $K_n^{j+1} \subset K_n^j$ and $F(K_n^{j+1}) \subset K_{n+1}^j$ for all n and j . We define

$$K_n := \bigcap_{j \geq 0} K_n^j.$$

Then, for all n ,

- K_n is a subcontinuum of $F^n(K)$;
- $\text{dist}_H(F^n(z), K_n) \leq \Delta$ for all $z \in K$; in particular, K_n is non-degenerate;
- $F(K_n) \subset K_{n+1}$;
- $\text{Re } F(z) \geq 2\pi|m_{n+1}|$ for all $z \in K_n$.

By Proposition 8.1 (applied with the roles of \underline{s} and \underline{s}^1 reversed), there is a subcontinuum K'_{n+1} of $F^{n+1}(\hat{J}_{\underline{s}})$ and a homeomorphism $\vartheta_{n+1}: F(K_n) \rightarrow K'_{n+1}$ with $\vartheta_{n+1}(\infty) = \infty$ if $\infty \in K$. Letting n be sufficiently large, set $K' := F_{\underline{s}}^{-(n+1)}(K'_{n+1})$ and

$$\varphi: K' \rightarrow K; \quad \varphi(z) = F_{\underline{s}^1}^{-(n+1)}(\vartheta_{n+1}^{-1}(F^{n+1}(z))).$$

Then φ is continuous and injective. By expansion, every point of $F(K)$ has distance at most Δ/Λ^{n-1} from $F(\varphi(K'))$ in the hyperbolic distance of H ; so every point of K has distance at most Δ/Λ^{n-1} from $\varphi(K')$ in the hyperbolic metric of $T_0 + 2\pi im_0$. The claim follows by the standard bound (2.2), if n was chosen sufficiently large to ensure that $\Delta/\Lambda^{n-1} \leq \varepsilon/(2\pi)$. ■

The following will be used to prove Theorem 1.5.

8.7. Corollary (Pseudo-arcs).

Suppose that $F \in \mathcal{B}_{\log}^p$ is a disjoint-type function having a unique tract T up to translation by $2\pi i$, and such that T has bounded slope and bounded decorations.

If one (and hence each) bounded-address Julia continuum of F is a pseudo-arc, then every Julia continuum of F is a pseudo-arc.

Proof. Let \hat{C} be the invariant Julia continuum of F contained in T . Then, by assumption and Corollary 8.3, \hat{C} is a pseudo-arc. Since all Julia continua of F are arc-like by Proposition 7.6, it suffices to show that they are hereditarily indecomposable.

So let $\hat{J}_{\underline{s}}(F)$ be a Julia continuum, and let $K \subset \hat{J}_{\underline{s}}(F)$ be a subcontinuum. Let $(m_n)_{n \geq 0}$ be the sequence of integers such that the n -th entry of \underline{s} is given by $T + 2\pi im_n$. By Proposition 8.6, for every $\varepsilon > 0$, there is a subcontinuum K' of \hat{C} and a continuous injection $\varphi: K' \rightarrow K$ such that the subcontinuum $\varphi(K')$ is ε -dense in K . As \hat{C} is hereditarily indecomposable, K' , and hence $\varphi(K')$, is indecomposable.

Claim. Let K be a continuum, and suppose that K is hereditarily unicoherent. (That is, if $A, B \subset K$ are subcontinua, then $A \cap B$ is connected.) If K has ε -dense indecomposable subcontinua for all $\varepsilon > 0$, then K is indecomposable.

Proof. We prove the contrapositive, so let $K = A \cup B$ with A, B proper subcontinua. If ε is sufficiently small, then any ε -dense subcontinuum K_ε satisfies $K_\varepsilon \not\subset A$ and $K_\varepsilon \not\subset B$. By assumption, $K_\varepsilon \cap A$ and $K_\varepsilon \cap B$ are continua; hence K_ε is decomposable, as required. \triangle

No subcontinuum of K separates the plane, so K is hereditarily unicoherent. (This also follows from Theorem 5.6, as every span zero continuum is hereditarily unicoherent.) So K is indecomposable by the claim, and the proof is complete. ■

Theorem 1.3 asserts the existence of a disjoint-type entire function f having bounded slope such that every arc-like continuum having a terminal point is realised as a Julia continuum of f . We shall see in Remark 13.2 that f can be chosen either to have a single tract, or to have two tracts with bounded decorations. The following consequence of Proposition 8.6 shows that this is best possible, in that f cannot have only a single tract which also has bounded decorations.

8.8. Corollary (Julia continua requiring unbounded decorations).

There exists an arc-like continuum X having a terminal point with the following property.

Suppose $F \in \mathcal{B}_{\log}^{\text{p}}$ has disjoint type, with a single tract up to translations from $2\pi i\mathbb{Z}$, and having bounded slope and bounded decorations. Then no Julia continuum of F is homeomorphic to X .

Proof. Let F be a function with the stated properties, let \hat{C} be an invariant Julia continuum of F , and let $\hat{J}_{\underline{s}}$ be any Julia continuum of F . Then by the final part of Proposition 8.6, every proper subcontinuum $K \subset \hat{J}_{\underline{s}}$ with $\infty \in K$ is homeomorphic to a corresponding proper subcontinuum K' of \hat{C} with $\infty \in K'$.

However, there are significant restrictions on the possible topology of K' . E.g., $F^n|_{K'} \rightarrow \infty$ uniformly on K' by Proposition 3.10. Since ∞ is a terminal point, we have $F(K') \subsetneq K'$. But there exists an arc-like continuum X such that no two non-degenerate subcontinua of X are homeomorphic to each other [And61], and one can see from the proof that this continuum has at least one terminal point. So K' cannot be homeomorphic to X . On the other hand, X can easily be realised as a proper subset of another arc-like continuum having no terminal points except in X ; this provides the desired example.

For a more elementary construction, observe that K' cannot be homeomorphic to the $\sin(1/x)$ -continuum S , as any continuous injection $S \rightarrow S$ maps the limiting interval bijectively to itself. So let X be the union of S with its reflection in its limiting interval, and assume by contradiction that $\hat{J}_{\underline{s}}$ is homeomorphic to X . The continuum X has exactly two terminal points; one of these corresponds to ∞ in $\hat{J}_{\underline{s}}$. Then there is a proper subcontinuum $K \ni \infty$ homeomorphic to S , and a corresponding subcontinuum $K' \subset \hat{C}$. This is a contradiction. ■

For completeness, we also make an observation concerning the embedding of the Julia continua considered in Proposition 8.1. (This result will not be used in the following.)

8.9. Proposition (Ambient homeomorphism).

The sets K and A in Proposition 8.1 are ambiently homeomorphic. More precisely, the map ϑ extends to a quasiconformal homeomorphism of \mathbb{C} .

Moreover, as $\underline{s}^1 \rightarrow \underline{s}$ (for fixed δ), the maps $\vartheta = \vartheta_{\underline{s}^1}$ converge uniformly to the identity.

Remark. Here convergence of addresses should be understood in the product topology, where we use the discrete metric on the alphabet. In other words, \underline{s}^1 is close to \underline{s} if the two addresses agree in a long initial sequence of entries.

Proof. This follows from the λ -lemma of Bers and Royden [BR86, Theorem 1]. Indeed, we can embed the two inverse systems from the proof of Proposition 8.1 into a holomorphic family (Y_j, f_{j+1}^μ) , where Y_j is defined as before, μ belongs to a suitable simply-connected neighbourhood U of both 0 and 1, and

$$f_{j+1}^\mu(z) := F_{T_j}^{-1}(z) + 2\pi i m_n \cdot \mu.$$

If we assume for simplicity that the range H of F is the right half-plane \mathbb{H} , then we can let U be a sufficiently small neighbourhood of the segment $[0, 1]$. For each $\mu \in U$, we find a homeomorphism $\vartheta^\mu: \hat{K} \rightarrow \hat{A}^\mu$, where $\vartheta^0 = \text{id}$ and $\vartheta^1 = \vartheta$. Furthermore, the maps ϑ^μ are the locally uniform limit of maps that depend holomorphically on μ (Observation 4.7). Hence these maps are themselves holomorphic in μ , and thus define a *holomorphic*

motion of the set \hat{K} . By the Bers-Royden λ -lemma, each ϑ^μ extends to a quasiconformal homeomorphism.

The final claim follows by applying Proposition 8.1 to the addresses $\sigma^n(\underline{s}^1)$ and $\sigma^n(\underline{s})$, using 8.2 and the fact that F is expanding. \blacksquare

9. BACKGROUND ON ARC-LIKE CONTINUA

In the second part of the article, we are now going to discuss the construction of entire function with prescribed arc-like continua in the Julia set. We shall need to collect some further background on arc-like continua (also referred to as *snake-like* continua, following Bing [Bin51b]). Let us begin by recalling their definition and introducing some additional terminology.

9.1. Definition (ε -maps).

An ε -map from a metric space A to a topological space B is a continuous function $g: A \rightarrow B$ such that $g^{-1}(x)$ has diameter less than ε for every $x \in B$.

Recall that a continuum X is *arc-like* if, for every $\varepsilon > 0$, there exists an ε -map g from X onto an arc.

There are a number of equivalent definitions of arc-like continua. The key one for our construction is the following, in terms of inverse limits.

9.2. Proposition (Characterisation of arc-like continua with terminal points).

Let X be a continuum, and let $p \in X$. The following are equivalent.

- (a) X is arc-like and p is terminal;
- (b) for every $\varepsilon > 0$, there is a surjective ε -map $g: X \rightarrow [0, 1]$ with $g(p) = 1$;
- (c) there is a sequence $g_j: [0, 1] \rightarrow [0, 1]$ of continuous and surjective functions with $g_j(1) = 1$ for all j such that there is a homeomorphism from X to $\varprojlim((g_j)_{j=1}^\infty)$ which maps p to the point $(1 \leftarrow 1 \leftarrow 1 \leftarrow \dots)$.

If any (and hence all) of these properties hold, and q is a second terminal point such that X is irreducible between p and q , then the maps g_j can be additionally chosen to fix 0, with the point q corresponding to the point $0 \mapsto 0 \mapsto \dots$. Similarly, the ε -map g in (b) can be chosen such that $g(q) = 0$.

Remark. An additional equivalent formulation, which is very intuitive, is in terms of *chainability*: for every $\varepsilon > 0$, there is an ε -chain in X that covers X and such that p belongs to the final link of this chain. That is, there is a finite sequence U_1, \dots, U_n of nonempty open subsets (“links”) of X whose union equals X , where two links U_j and U_k intersect if and only if $|j - k| = 1$, and such that $p \in U_n$ and $\text{diam}(U_j) < \varepsilon$ for all j . We shall not use chainability; see [Nad92, Definition 12.8] for details.

Proof. This result is well-known, but we are not aware of a reference to it that includes the statements concerning the terminal points p and q . Without these, the equivalence is proved in [Nad92, Theorem 12.19]. For completeness, let us sketch how one may modify that proof to obtain the above version, referring to [Nad92] and [Bin51b] where necessary.

First observe that (c) clearly implies (b), as we can let g be the projection to the j -th coordinate, for j sufficiently large.

Conversely, it follows from the proof of Theorem 12.19 in [Nad92] that (b) implies (c). Indeed, that proof constructs a suitable inverse limit, and an inspection of the proof of Lemma 12.17 immediately shows that the map φ defined there, which is used in the construction of the inverse limit, satisfies $\varphi(1) = 1$. (Indeed, with the notation of that proof, we have $t_n = 1$ and $\varphi(1) = \varphi(t_n) = s_{i(n)} = i(n)/m$. Here the definition of $i(n)$ ensures that $i(n) = m$, provided that $g_1(p) = g_2(p) = 1$.)

To see that (b) implies (a), let us prove the contrapositive. So suppose that p is not terminal; then there are continua $A, B \subset X$ with $p \in A \cap B$, but $A \not\subset B$ and $B \not\subset A$. If ε is chosen sufficiently small, we also have $g(A) \not\subset g(B)$ and $g(B) \not\subset g(A)$ for any ε -map g . Since $g(A)$ and $g(B)$ are closed subintervals of $[0, 1]$, it follows that $g(p) \neq 1$.

Finally, Bing [Bin51b, Theorem 13] showed that (a) is equivalent to the statement on chainable continua mentioned in the remark after the statement of the theorem. This, in turn, is easily seen to imply (b).

The final part of the proposition follows analogously. ■

Proposition 9.2 allows us to express an arbitrary arc-like continuum Y (having a terminal point) as an inverse limit as in (c) above. We then construct a function $F \in \mathcal{B}_{\log}$ whose behaviour (more precisely, the behaviour of suitable inverse branches of iterates of F) is designed to mimic that of the functions g_j . We then use the conjugacy principle from Proposition 4.6 to show that F does indeed have a Julia continuum homeomorphic to Y . Moreover, the following observation will allow us to realise *all* arclike continua with terminal points at once as Julia continua of a *single* entire function, as claimed in Theorem 1.3.

9.3. Proposition (Countable generating set).

There exists a universal countable set \mathcal{G} of surjective continuous functions $g: [0, 1] \rightarrow [0, 1]$ with $g(1) = 1$ such that all maps in Proposition 9.2 (c) can be chosen to belong to \mathcal{G} .

Proof. For general arc-like continua, this is stated in [Nad92] (without the assumption that $g(1) = 1$). The proof in our case is entirely analogous; the set \mathcal{G} consists of all piecewise linear functions $g: [0, 1] \rightarrow [0, 1]$ with $g(1) = 1$, where all points of non-linearity are assumed to be rational, and the function takes rational values at rational points. Clearly this set is countable.

Let $(g_j)_{j \geq 1}$ be any sequence as in 9.2 (c), and consider constants $\gamma_j \geq 1$ ($j \geq 0$) as in Observation 4.3, so that the system (g_j) is expanding when the j -th copy of the interval is equipped with the metric d_j obtained by scaling the Euclidean metric by γ_j . We may assume that all γ_j are integers.

Clearly if we approximate each g_j closely enough by a function $\tilde{g}_j \in \mathcal{G}$, then the system (\tilde{g}_j) is also expanding (using the same metrics d_j , although possibly with slightly different expansion constants), and the two systems will be pseudo-conjugate in the sense of Definition 4.5, with all maps ψ_j given by the identity. The claim hence follows by Proposition 4.6.

If all maps g_j fix 0 (as in the final statement of Proposition 9.2, then the functions \tilde{g}_j can also be chosen to do so. ■

10. ALL ARC-LIKE CONTINUA WITH TERMINAL POINTS ARE JULIA CONTINUA

The goal of this section is to prove a slightly weakened version of the main part of Theorem 1.3.

10.1. Theorem (Realisation of arc-like continua).

Let Y be an arc-like continuum containing a terminal point y_1 . Then there exists a disjoint-type function $F \in \mathcal{B}_{\log}^p$ with bounded slope and a Julia continuum $\hat{J}_{\underline{s}}(F)$ such that $\hat{J}_{\underline{s}}(F)$ is homeomorphic to Y , with ∞ corresponding to y_1 .

Moreover, F and \underline{s} can be chosen either such that $\operatorname{Re} F^k|_{\hat{J}_{\underline{s}}(F)} \rightarrow \infty$ uniformly as $k \rightarrow \infty$, or such that $\liminf_{k \rightarrow \infty} \min_{z \in \hat{J}_{\underline{s}}(F)} \operatorname{Re} F^k(z) < \infty$.

Remark. By Theorem 3.5, the existence of such a function in \mathcal{B}_{\log}^p automatically yields a function $f \in \mathcal{B}$, and even a function $f \in \mathcal{S}$, having a Julia continuum homeomorphic to Y .

The idea of the construction is to express Y as the inverse limit of a sequence $(g_k)_{k=1}^{\infty}$ of self-maps of the unit interval according to Proposition 9.2, and to construct F in such a way that suitable branches of iterates of F mimic the behaviour of g_k . We obtain a homeomorphism between the resulting Julia continuum and Y by appealing to the pseudo-conjugacy principle from Proposition 4.6. This construction provides some additional information concerning the relation between the two systems, which we record for further applications.

10.2. Proposition (Properties of the construction).

Let $(g_k)_{k=1}^{\infty}$ be a sequence of continuous and surjective functions $g_k: [0, 1] \rightarrow [0, 1]$ with $g_k(1) = 1$. Set $Y := \varprojlim (g_k)_{k=1}^{\infty}$ and $y_1 := 1 \leftarrow 1 \leftarrow \dots$. Also fix any sequence $(M_k)_{k \geq 0}$ with $M_k \geq 10$ for all k .

Then the function F , the address \underline{s} , and the homeomorphism $h: \hat{J}_{\underline{s}} \rightarrow Y$ whose existence is asserted in Theorem 10.1 can be constructed so that there is a strictly increasing sequence $(n_k)_{k \geq 0}$ such that the following hold for all $z \in \hat{J}_{\underline{s}}$.

(a) $\operatorname{Re} F^n(z) \geq \operatorname{Re} F^{n_k}(z) \geq M_k - 1$ for $n_k \leq n < n_{k+1}$. (In particular, $z \in I(F)$ if and only if $\lim_{k \rightarrow \infty} \operatorname{Re} F^{n_k}(z) = \infty$.)

(b) Let $h_k: \hat{J}_{\underline{s}} \rightarrow [0, 1]$ denote the k -th component of h . Then

$$h_k(z) = 0 \implies \operatorname{Re} F^{n_k}(z) \leq M_k + 1$$

and

$$\liminf_{k \rightarrow \infty} h_k(z) > 0 \implies \operatorname{Re} F^{n_k}(z) - M_k \rightarrow \infty.$$

Remark. Observe that, in particular, this implies the final statement of Theorem 10.1: the iterates of F will tend to infinity uniformly on $J_{\underline{s}}(F)$ if and only if $M_k \rightarrow \infty$. The proposition will also allow us to construct examples where the set of nonescaping points is empty, and examples where this set is uncountable, simply by specifying a suitable inverse limit construction.

To prove the theorem, we will construct a suitable simply-connected domain T with $\bar{T} \subset \mathbb{H}$ which does not intersect its $2\pi i\mathbb{Z}$ -translates and a conformal isomorphism

$F: T \rightarrow \mathbb{H}$ such that $F(z) \rightarrow \infty$ in \mathbb{H} only if $z \rightarrow \infty$ in T . For simplicity, we do not require here that T is a Jordan domain. We observe that T and F naturally give rise to a disjoint-type function as follows.

10.3. Remark (Obtaining a function in \mathcal{B}_{\log}^p).

Set $H := \{\operatorname{Re} z > \varepsilon\}$, where $\varepsilon > 0$ is small enough that $\bar{T} \subset H$, and consider $\tilde{T} := F^{-1}(H)$. Then the $2\pi i$ -periodic extension \tilde{F} of $F|_{\bar{T}}$ is a disjoint-type function in \mathcal{B}_{\log}^p (with range H), having a single tract up to translation by $2\pi i\mathbb{Z}$. This function will satisfy the conclusions of Theorem 10.1 and Proposition 10.2.

Observe that the tracts of \tilde{F} are all of the form $\tilde{T} + 2\pi im$, where $m \in \mathbb{Z}$. We can hence simplify notation by identifying an external address

$$\underline{s} = (\tilde{T} + 2\pi is_0)(\tilde{T} + 2\pi is_1)(\tilde{T} + 2\pi is_2) \dots$$

with the sequence $s_0 s_1 s_2 \dots$ of integers.

We devote the remainder of the section to the proof of Theorem 10.1 and Proposition 10.2. Let us fix the maps $(g_k)_{k \geq 1}$ and the sequence $(M_k)_{k \geq 0}$ from now on.

Definition of the tract T . Our tract T is a subset of the horizontal strip $\{x + iy : x > 4, |y| < \pi\}$; in particular, the function \tilde{F} will have bounded slope. The tract consists of a central straight strip, to which a number of “side channels”, domains U_k , are attached that mimic the behaviour of the maps g_k ; see Figure 4. For technical reasons, it will also be convenient to narrow the central strip to a small window, of size $\chi_k > 0$, just before the place where U_k is attached.

More precisely, define

$$S := \{x + iy : x > 4 \text{ and } |y| < \pi/2\}.$$

The tract T depends on sequences $(R_j)_{j \geq 1}$, $(\chi_j)_{j \geq 1}$, $(U_j)_{j \geq 1}$ and $(C_j)_{j \geq 0}$. Here $R_{j+1} - 1 > R_j > 5$ and $0 < \chi_j \leq \pi$. The U_j are domains such that

$$U_j \subset \{x + iy : R_{j-1} + 1 < x < R_j + 1 \text{ and } \pi > y > \pi/2\}$$

(we use the convention that $R_0 = 4$) and each C_j is an associated arc

$$C_j \subset \{x + i\pi/2 : x \in [R_j, R_j + 1]\} \cap \partial U_j.$$

The tract T is defined as

$$T := \left(S \setminus \bigcup_{j \geq 1} \{R_j + iy : |y| \geq \chi_j/2\} \right) \cup \bigcup_{j \geq 1} \left(U_j \cup \operatorname{int}(C_j) \cup \tilde{U}_j \cup \operatorname{int}(\tilde{C}_j) \right).$$

Here $\tilde{U}_j = \{x + iy : x - iy \in U_j\}$ consists of all complex conjugates of points in U_j , (likewise for C_j), and $\operatorname{int}(C_j)$ refers to the arc without its endpoints.

The conformal isomorphism $F: T \rightarrow \mathbb{H}$ is determined uniquely by requiring that $F(5) = 5$ and $F'(5) > 0$. Since T is symmetric with respect to the real axis, this implies that $F([5, \infty)) = [5, \infty)$. By the expanding property of F , we have $F(t) > t$ for $t > 5$.

This completes the description of T and F , depending on the sequences (R_j) , (χ_j) , (U_j) and (C_j) , which are chosen as part of an inductive construction below. To carry out

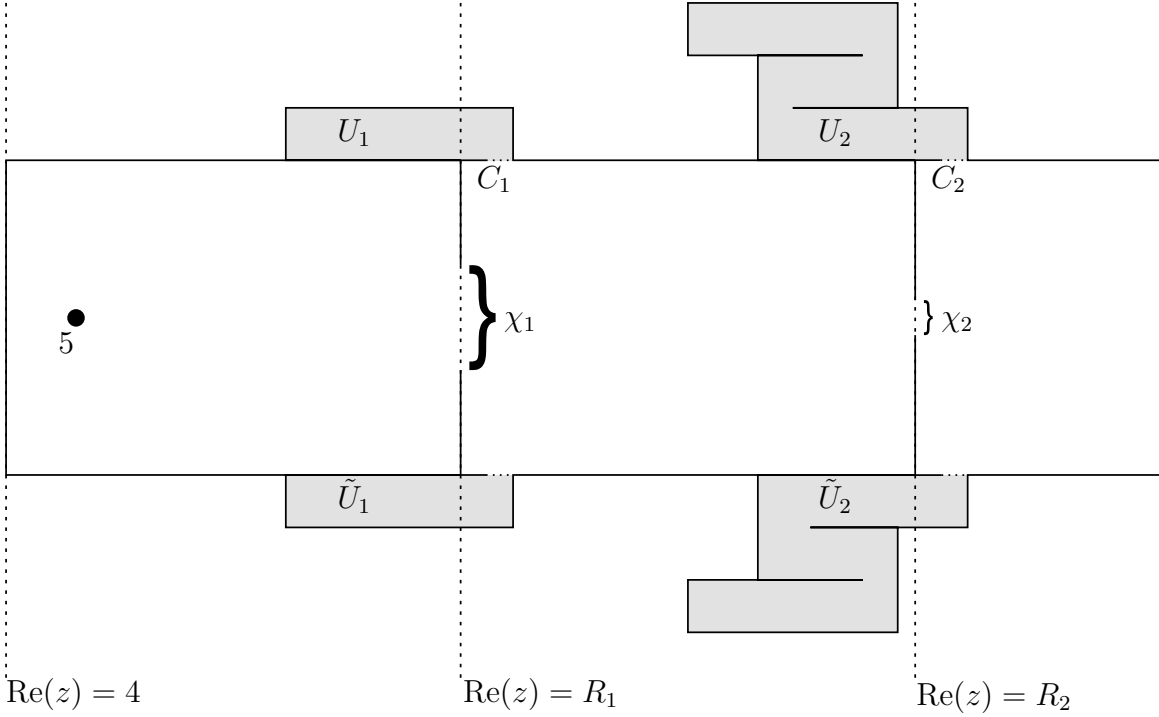


FIGURE 4. The tract T .

and analyse this construction, we need to estimate F on parts of the tract while only having made the first k such choices, for $k \geq 0$. To this end, we define the “partial tract”

$$(10.1) \quad T_k := \left(S \setminus \bigcup_{j=1}^k \{R_j + iy : |y| \geq \chi_j/2\} \right) \cup \bigcup_{j=1}^k \left(U_j \cup \text{int}(C_j) \cup \tilde{U}_j \cup \text{int}(\tilde{C}_j) \right),$$

and let $F_k : T_k \rightarrow \mathbb{H}$ be the conformal isomorphism with $F_k(5) = 5$ and $F'_k(5) > 0$. Note that $T_0 = S$. The following observation shows that F_k provides a good approximation to F , provided that R_{k+1} is chosen sufficiently large (independently of any further choices).

10.4. Observation (Continuity of the construction).

Let $k \geq 0$, and let T_k be a partial tract as in (10.1) above. (In other words, fix R_j, χ_j, U_j and C_j for $1 \leq j \leq k$.) Then for all $N, S \in \mathbb{N}$, all $\varepsilon > 0$ and all $M > 1$, there is a number $R(T_k, N, \varepsilon, S, M) > 0$ with the following property.

Suppose that R_{k+1} is chosen such that $R_{k+1} \geq R(T_k, N, \varepsilon, S, M)$, and that the remainder of the sequences $(R_j), (\chi_j), (U_j)$ and (C_j) are chosen subject only to the restrictions mentioned above. Then the resulting tract T and function F satisfy

$$|F^{-n}(z) - F_k^{-n}(z)| \leq \varepsilon$$

for all $n \leq N$ and all z with $1 \leq \text{Re } z \leq M$ and $|\text{Im } z| \leq (2S + 1)\pi$.

Proof. Having fixed T_k , we obtain a tract T for any allowed choice of $(R_j)_{j \geq k+1}, (\chi_j)_{j > k}, (U_j)_{j > k}$ and $(C_j)_{j > k}$. As $R_{k+1} \rightarrow \infty$, these tracts T converge to T_k with respect to

Carathéodory kernel convergence, regardless of the remaining choices. (See [Pom92, Theorem 1.8] for the definition of kernel convergence.) Indeed, let $A \ni 1$ be compact and connected. Suppose $R_{k+1} \geq \max_{z \in A} \operatorname{Re} z$. Then clearly $A \subset T_k$ if and only if $A \subset T$, as A cannot cross the arcs C_j or \tilde{C}_j for $j \geq k+1$.

Hence F converges locally uniformly to F_k as $R_{k+1} \rightarrow \infty$. It follows that also $F^{-1} \rightarrow F_k^{-1}$ uniformly on compact subsets of \mathbb{H} . This proves the claim for $N = 1$; the general case follows by induction. \blacksquare

10.5. Observation (Expansion of the maps F and F_k).

Let $G = F$ or $G = F_k$ for some $k \geq 0$. Then $|G'(z)| \geq \operatorname{Re} G(z)/2$ for all z .

In particular, $|G'(z)| \geq 2$ whenever $\operatorname{Re} G(z) \geq 4$. In addition, if $z \in T$ with $G(z) \in \bar{T}$ and $\operatorname{Re} z \geq 9$, then $\operatorname{Re} G(z) > \operatorname{Re} z$.

Proof. Let $\tilde{S} = \{a+ib : |b| < \pi\}$ and let $U \subset \tilde{S}$ be the domain of G (i.e., $U = T$ or $U = T_k$). Since $G: U \rightarrow \mathbb{H}$ is a conformal isomorphism, it is an isometry from U to \mathbb{H} with their respective hyperbolic metrics. Furthermore, $\rho_U(z) \geq \rho_{\tilde{S}}(z) = 1/(2 \cos(\operatorname{Im} z/2)) \geq 1/2$ for all $z \in U$ by Pick's theorem. Hence

$$|G'(z)| = \frac{\rho_{\tilde{S}}(z)}{\rho_{\mathbb{H}}(G(z))} \geq \frac{\operatorname{Re} G(z)}{2}.$$

The second claim follows from the first. Indeed, suppose $\operatorname{Re} z \geq 9$ and $G(z) \in \bar{T}$. Let γ be a straight line segment connecting $G(z)$ and 5, and let $\tilde{\gamma} := F^{-1} \circ \gamma$. Then

$$\begin{aligned} |\operatorname{Re} G(z) - 5| &\geq |G(z) - 5| - \pi = \ell(\tilde{\gamma}) - \pi \geq 2\ell(\gamma) - \pi \\ &\geq 2|z - 5| - \pi \geq 2(\operatorname{Re} z - 5) - \pi > (\operatorname{Re} z - 5) + 4 - \pi > \operatorname{Re} z - 5. \end{aligned}$$

Since $\operatorname{Re} G(z) \geq 4$, we hence have $\operatorname{Re} G(z) > \operatorname{Re} z$, as claimed. \blacksquare

Overview of the inductive construction. The address \underline{s} will be of the form

$$(10.2) \quad \underline{s} = s(0)0^{N_1} s(1)0^{N_2} s(2)0^{N_3} s(3) \dots,$$

where $N_k \geq 0$ is a (rapidly increasing) sequence of integers, and $s(k) \in \mathbb{N}$. The purpose of the block of zeros of length N_k is mainly to move the Julia continuum sufficiently far to the right to reach the side channel U_k ; for $k \geq 1$, the integer $s(k)$ is chosen to ensure that the continuum does indeed enter U_k at this point. The numbers n_k that appear in Proposition 10.2 are then given by

$$(10.3) \quad n_k := k + \sum_{j=1}^k N_j.$$

We will apply the conjugacy principle from Proposition 4.6 to two systems $(X_k, f_{k+1})_{k=0}^{\infty}$ and the system $(Y_k, g_{k+1})_{k=0}^{\infty}$. The first system is given by $X_k = \hat{T} := \bar{T} \cup \{\infty\}$ for all k and

$$f_k: \hat{T} \rightarrow \hat{T}; \quad z \mapsto F^{-(N_k+1)}(z + 2\pi i s(k))$$

for $k \geq 1$. Note that $\varprojlim (X_k, f_{k+1})$ is homeomorphic to the Julia continuum $\hat{J}_{\underline{s}}(\tilde{F})$. We will endow each X_k with a metric that is essentially the Euclidean metric, but modified near infinity and on the left side of the tract; see (10.9). This is done to ensure that the system is expanding, so that we can indeed apply Proposition 4.6.

The second system consists of the functions $g_k: Y_k \rightarrow Y_{k-1}$ fixed above, with $Y_k = Y_{k-1} = [0, 1]$ and $Y = \varprojlim(Y_k, g_k)_{k=1}^\infty$. Each space Y_k will be endowed with a “blown-up” version of the Euclidean metric in the sense of Observation 4.3, again to ensure expansion.

The construction of the tract proceeds inductively, along with the construction of a number of additional objects:

- (a) The sequences $(s(k))_{k \geq 0}$ and $(N_k)_{k \geq 1}$ of non-negative integers determine the address \underline{s} as in (10.2). Recall from (10.3) that this also determines n_k .
- (b) A sequence of natural numbers $\gamma_k \in \mathbb{N}$, $k \geq 0$ will be used to scale up the metrics used in the system (g_k) , in line with Observation 4.3.
- (c) We also define $\Xi_k := \{0 = \xi_k^0 < \xi_k^1 < \dots < \xi_k^{\gamma_k} = 1\}$, where $\xi_k^j := j/\gamma_k$ for $0 \leq j \leq \gamma_k$. The purpose of Ξ_k is to provide a sufficiently fine partition of the range of g_k .
- (d) For each $k \geq 1$, a finite subset $\Omega_k = \{0 = \omega_k^0 < \omega_k^1 < \dots < \omega_k^{m_k} = 1\} \subset [0, 1]$ will be used as a partition of the domain of g_k .
- (e) A surjective, continuous and non-decreasing map $\varphi_k: [0, \infty] \rightarrow [0, 1]$, for every $k \geq 0$, relates the dynamics of the two inverse systems (f_k) and (g_k) . This function has the property that

$$(10.4) \quad \varphi_k|_{[0, M_k]} = 0, \quad \varphi_k|_{[\widetilde{M}_k, \infty]} = 1, \quad \text{and} \quad \varphi_k|_{[M_k, \widetilde{M}_k]} \text{ is a homeomorphism.}$$

Here $M_k \geq 10$ is the number from Proposition 10.2, and $\widetilde{M}_k > M_k$ is a number chosen during the construction. In a slight abuse of notation, we use φ_k^{-1} to denote the inverse of the (bijective) restriction $\varphi_k|_{[M_k, \widetilde{M}_k]}$.

- (f) We also define $\psi_k: \hat{T} \rightarrow [0, 1]$ by $\psi_k(z) := \varphi_k(\operatorname{Re} z)$, using the convention that $\operatorname{Re} \infty = \infty$. These maps form our pseudo-conjugacy for use with Proposition 4.6.

The idea of the construction is summarised in Figure 5: the map ψ_k provides an identification between the tract T and the domain of the map g_k , or equivalently the range of the map g_{k+1} . The notation within the figure will become clear in the detailed definitions; the reader may find it useful to keep the figure to hand while reading about the construction.

As the technical details of the inductive step of the construction are somewhat involved, let us first set out its overall structure, and explain the motivation for the choices made. We begin by defining \widetilde{M}_0 and γ_0 . Then suppose that $k \geq 1$, and that all relevant objects have been defined up to stage $k - 1$. Also set

$$(10.5) \quad k_* := k - 1.$$

Below, we sometimes write k_* and sometimes $k - 1$. This is because we use the same construction in Section 12 to construct all relevant continua within the same function; there k_* will be chosen to be a different “predecessor”.

- I1. We choose the set Ω_k such that the complementary intervals of Ω_k are small enough; see (I1.1). This is done so that the information of how these intervals are mapped over the set Ξ_{k_*} encodes the essential information about g_k .
- I2. We define N_k and R_k sufficiently large. Recall from Proposition 10.2 that the n_{k_*} -th iterate of the Julia continuum will begin near real part M_{k_*} . Moreover, from the definition of the map ψ_{k_*} , the essential information about the image of

the map f_k concerns points with real parts in the interval $[M_{k_*}, \widetilde{M}_{k_*}]$ (as the other parts of the tract are collapsed by ψ_{k_*}).

The key goal of our choice of N_k will be to ensure that F^{N_k} maps this interval to real parts larger than R_{k-1} , i.e. to the right of all decorations already constructed at this stage (I2.2). (In the actual construction, the final map F is not yet defined, so we need to instead use F_{k-1} in (I2.2); the same applies for the remainder of this informal description.)

Choosing N_k large enough also ensures (using Observation 10.5) that F^{N_k} is strongly expanding (I2.3).

The number R_k is then chosen larger than $F^{N_k}(\widetilde{M}_{k_*})$ (see (I2.4)), which is necessary to be able to ensure that the interval $F^{N_k}([M_{k_*}, \widetilde{M}_{k_*}])$ lies below the domain U_k (see Figure 5).

Furthermore, choosing R_k large enough ensures that the function F will be close enough to F_{k-1} as to not disturb any of the previous steps of the construction.

13. This is the key step in the construction: we define the domain U_k so that it follows the same structure as the map g_k ; i.e., the real parts of U_k run across the interval $F^{N_k}([M_{k_*}, \widetilde{M}_{k_*}])$ in the same way as the graph of g_k runs over the interval $[0, 1]$ (with the identification between the two intervals given by $\varphi_{k_*} \circ F^{-N_k}$).

More precisely, U_k is a chain of m_k quadrilaterals, one for each complementary interval of Ω_k , placed at the appropriate real parts (see (I3.4)). In (I3.2) we also choose the arc C_k , along with additional arcs connecting these quadrilaterals (I3.1). These arcs are taken sufficiently short to ensure good control over geodesics of T_k running through the domain U_k ; see (I3.5) and (I3.6). We remark that this is done mainly for convenience in the analysis.

14. We define the opening size χ_k (and hence complete the choice of the tract T_k and the function F_k) and the entry $s(k)$. This entry is chosen to ensure that the curve $F^{-1}(x + 2\pi i s(k))$, for $x \geq M_k$, runs through the entire decoration U_k ; see (I4.1) and (I4.2). Choosing χ_k sufficiently small ensures that this is possible, as well as that the curve does not enter the part of the central strip S that is to the left of real part R_k (I4.3).

In other words, the curve indeed looks as sketched at the bottom of Figure 5.

15. We define the number \widetilde{M}_k sufficiently large to ensure that no orbit of F with address \underline{s} has real part to the right of \widetilde{M}_k at each time n_k ; this ensures that the inverse system (f_k) is expanding.

We then define φ_k according to Figure 5. That is, if z belongs to one of the constituent quadrilaterals of U_k , and $F(z) \in T + 2\pi i s(k)$, then $\varphi(\operatorname{Re} z)$ (essentially) belongs to the corresponding complementary interval of Ω_k . This ensures the key pseudo-conjugacy condition (see Lemma 10.6).

Finally, we choose γ_k sufficiently large to ensure that the system (g_k) is expanding with respect to the corresponding metric (I5.4), and sufficiently large to ensure that preimages of the complementary intervals of Ξ_k under φ_k have bounded diameter (I5.5); thus ensuring condition (d) of Definition 4.5.

Details of the inductive construction. We now provide the details. Define $s(0) := 0$, $\widetilde{M}_0 := M_0 + 1$, $\varphi_0(x) := x - M_0$ for $x \in [M_0, \widetilde{M}_0]$ and according to (10.4) elsewhere, and

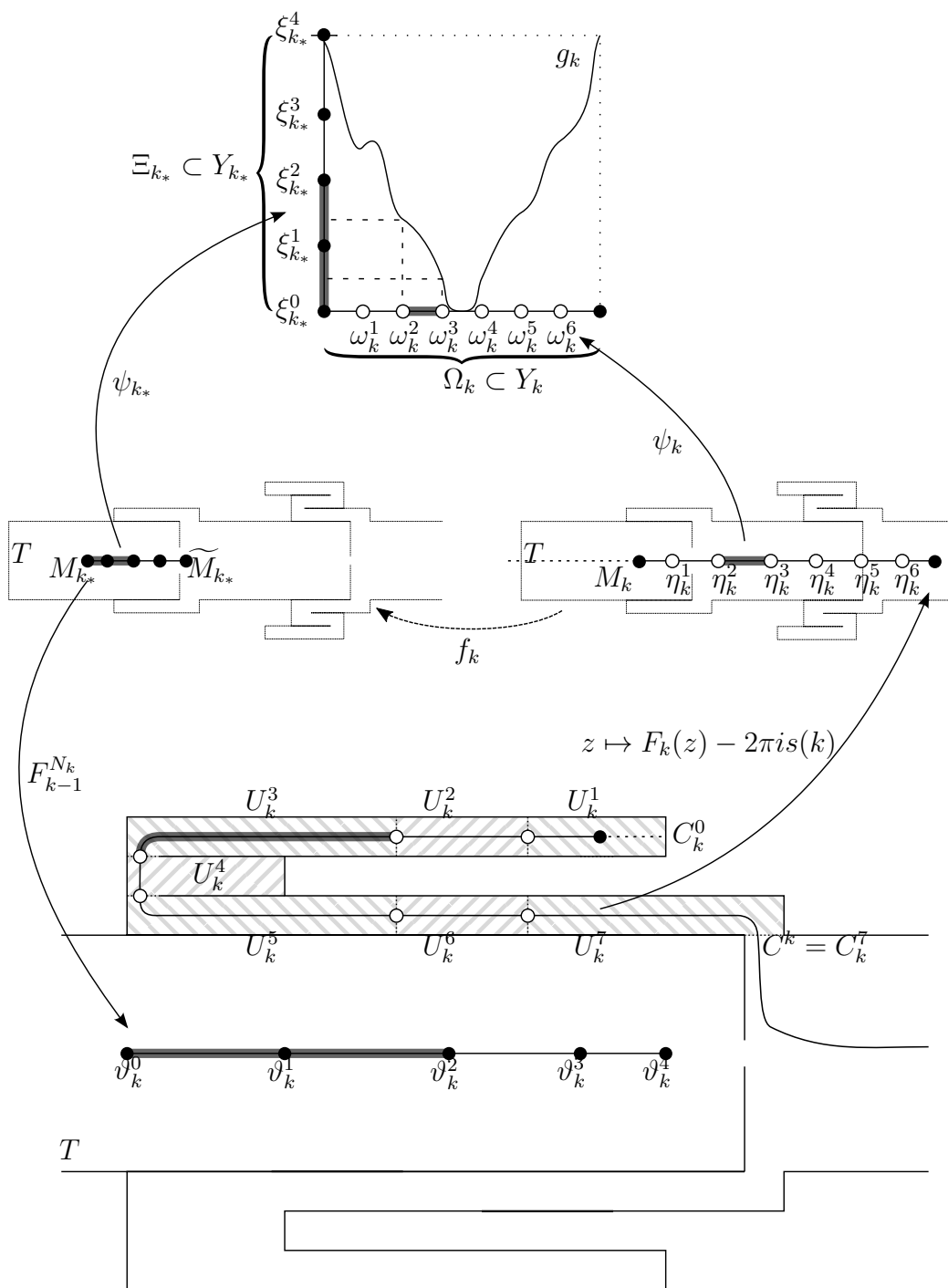


FIGURE 5. Construction of the domain U_k . The shaded intervals at the top of the figure are $[\omega_k^2, \omega_k^3]$ (in the domain of g_k) and I_k^3 (in the range).

$\gamma_0 := 5$. Note that this also defines Ξ_0 . For the recursive step of the construction, fix $k \geq 1$ such that all relevant objects have been defined up to stage $k - 1$, and recall that $k_* = k - 1$.

I1. We choose $\Omega_k = \{0 = \omega_k^0 < \omega_k^1 < \dots < \omega_k^{m_k} = 1\} \subset [0, 1]$ such that

(I1.1) the image $g_k([\omega_k^{j-1}, \omega_k^j])$ contains at most one point of $\Xi_{k_*} \setminus \{0, 1\}$.

I2. The next step is to choose the numbers N_k and R_k . Define

$$(I2.1) \quad \alpha_{k_*} := \min\left(1, \min\left\{|x - y| : |\varphi_{k_*}(x) - \varphi_{k_*}(y)| \geq \frac{1}{2\gamma_{k_*}}\right\}\right) > 0.$$

Now we choose N_k sufficiently large that

$$(I2.2) \quad F_{k-1}^{N_k}(M_{k_*}) > R_{k-1} + 1 \quad \text{and}$$

$$(I2.3) \quad N_k > \frac{\log(12) - \log(\alpha_{k_*})}{\log 2} > 3.$$

We also choose R_k so large that

$$(I2.4) \quad R_k \geq F_{k-1}^{N_k}(\widetilde{M}_{k_*} + 1) \text{ and}$$

$$(I2.5) \quad R_k \geq R(T_{k-1}, N, \varepsilon, S, M) \text{ according to Observation 10.4. Here we take } N = n_k, \\ \varepsilon = \alpha_{k_*}/2, S = \max_{j < k} s(j) \text{ and } M = \max(\widetilde{M}_{k-1}, F_{k-1}^{N_k}(\widetilde{M}_{k_*}) + 10).$$

I3. Now we define the domain U_k and the arc C_k . For $0 \leq \ell \leq \gamma_{k_*}$, let

$$\vartheta^\ell := \vartheta_k^\ell := F_{k-1}^{N_k}(\varphi_{k_*}^{-1}(\xi_{k_*}^\ell)).$$

As mentioned above, U_k is the union of a sequence of quadrilaterals $(U_k^j)_{j=1}^{m_k}$, with one quadrilateral (namely U_k^j) associated to each complementary interval $[\omega_k^{j-1}, \omega_k^j]$ of Ω_k . We also construct arcs $(C_k^j)_{j=0}^{m_k}$, with C_k^j joining U_k^{j-1} and U_k^j for $j \geq 1$. More precisely,

$$(I3.1) \quad C_k^{j-1} \cup C_k^j \subset \partial U_k^j \text{ for all } j, \text{ and } \text{int}(C_k^i) \cap \partial U_k^j = \emptyset \text{ for } i \neq j - 1, j; \text{ and}$$

$$(I3.2) \quad C_k := C_k^{m_k} \subset \{x + i\pi/2 : R_k < x < R_k + 1\}.$$

We then define

$$(I3.3) \quad U_k := \bigcup_{j=0}^{m_k} U_k^j \cup \bigcup_{j=1}^{m_k-1} \text{int}(C_k^j).$$

For $j = 1, \dots, m_k$, let $I_k^j \subset [0, 1]$ be the smallest closed interval bounded by two points of Ξ_{k_*} whose interior contains $g_k([\omega_k^{j-1}, \omega_k^j]) \setminus \{0, 1\}$. Recall from (I1.1) that I_k^j has length at most $2/\gamma_{k_*}$, and note that I_k^j and I_k^{j+1} overlap by an interval of length at least $1/\gamma_{k_*}$. Also observe that $I_k^{m_k} \supset [\xi_{k_*}^{\gamma_{k_*}-1}, 1]$. Define $\tilde{I}_k^j := F_{k-1}^{N_k}(\varphi_{k_*}^{-1}(I_k^j) \cap [M_{k_*}, \widetilde{M}_{k_*}])$ for $j = 1, \dots, m_k - 1$ (so \tilde{I}_k^j is bounded by two of the points ϑ^ℓ , corresponding to the endpoints of the interval I_k^j). For $j = m_k$, we modify this definition by extending $\tilde{I}_k^{m_k}$ to $R_k + 1$ on the right. I.e., $\tilde{I}_k^{m_k} = [\vartheta_k^{\gamma_{k_*}-1}, R_k + 1]$ or $\tilde{I}_k^{m_k} = [\vartheta_k^{\gamma_{k_*}-2}, R_k + 1]$.

Now the domains U_k and arcs C_k^j are chosen such that, for $1 \leq j \leq m_k$:

$$(I3.4) \quad \text{Re } z \in \tilde{I}_k^j \text{ for all } z \in U_k^j.$$

$$(I3.5) \quad \text{The hyperbolic distance, in } T_k, \text{ between } C_k^{j-1} \text{ and } C_k^j \text{ is at least } 1.$$

$$(I3.6) \quad \text{Any geodesic segment of } T_k \text{ that connects } C_k^{j-1} \text{ and } C_k^j \text{ has real parts in } \tilde{I}_k^j.$$

Note that it is clear that we can choose our domains and Jordan arcs to satisfy properties (I3.1) to (I3.4). For example, we can set

$$U_k^j := \left\{ x + iy : x \in \tilde{I}_k^j, 1 - \frac{y}{\pi} \in \left[\frac{j-1}{2m_k}, \frac{j}{2m_k} \right] \right\},$$

so (I3.4) is trivially satisfied. Moreover, \tilde{I}_k^j and \tilde{I}_k^{j+1} overlap, as noted above, so we can choose the arcs C_k^j satisfying (I3.1) and (I3.2). We can also ensure that the real parts of points in C_k^{j-1} and C_k^j belong to $\text{int}(\tilde{I}_k^j)$.

If in addition the arcs C_k^j are chosen sufficiently short, then Properties (I3.5) and (I3.6) are automatically satisfied, independently of the choice of χ_k . For (I3.5), this follows from the standard estimate (2.1) on the hyperbolic metric. For (I3.6), it is deduced easily e.g. using Carathéodory kernel convergence, or the Gehring-Hayman theorem [Pom92, Theorem 4.20].

Remark. There will generally be many other ways of choosing the domains U_k^j with these properties—e.g., Figure 5 uses an arrangement that is more economical with vertical space. As a result, one may obtain inequivalent embeddings of the same continuum in the Julia set, as mentioned at the end of Section 2.

I4. We claim that we can choose χ_k and $s(k)$ in such a way that

$$(I4.1) \quad F_k^{-1}(2\pi is(k)) \in C_k^0;$$

$$(I4.2) \quad F_k^{-1}(x + 2\pi is(k)) \in U_k^0 \text{ for } x \leq M_k + 1, \text{ and}$$

$$(I4.3) \quad \text{For all } x \geq 0, \text{ the point } F_k^{-1}(x + 2\pi is(k)) \text{ either belongs to } U_k \text{ or has real part greater than } R_k.$$

Indeed, observe that the harmonic measure of $C_k^0 \subset \partial U_k$, viewed from $R_k + 1$, remains bounded from below as $\chi_k \rightarrow 0$. On the other hand, $F_k(R_k + 1) \rightarrow \infty$ as $\chi_k \rightarrow 0$. This implies that, for χ_k sufficiently small, the arc A on $\partial \mathbb{H}$ corresponding to C_k^0 under F_k has length at least 2π , and hence contains a point $2\pi is(k)$ with $s(k) \in \mathbb{Z}$, establishing (I4.1).

Furthermore, A and $F_k(C_k^1)$ are separated by a quadrilateral of fixed modulus (namely $F_k(U_k^1)$). If $2\pi is(k)$ is chosen well inside A , this implies that the real part of the first intersection of the geodesic $(0, \infty) + 2\pi is(k)$ with $F_k(C_k^1)$ grows at least proportionally with the length of A . So we can also ensure (I4.2) by choosing χ_k small enough.

Finally, it is clear that claim (I4.3) holds for all sufficiently small χ_k (for example, by observing that, as $\chi_k \rightarrow 0$, the portion of T_k containing U_k converges in the sense of Carathéodory kernel convergence to a simply-connected domain contained in $U_k \cup \{z : \text{Re } z > R_k\}$).

I5. For $j = 1, \dots, m_k$, define

$$(I5.1) \quad \eta_k^j := \max\{x : F_k^{-1}(x + 2\pi is(k)) \in C_k^j\} \geq M_k + 1.$$

Furthermore, set

$$(I5.2) \quad \widetilde{M}_k := \max((2s(k) + 1)\pi, \eta_k^{m_k}, F_k(R_k + 3), F_k^{N_k+1}(\widetilde{M}_{k_*} + 1), F_k^{m_k}(k)).$$

By construction, we have $M_k < \eta_k^1 < \dots < \eta_k^{m_k} \leq \widetilde{M}_k$. Hence we can define an order-preserving homeomorphism $\varphi_k : [M_k, \widetilde{M}_k] \rightarrow [0, 1]$ such that

$$(I5.3) \quad \varphi_k(\eta_k^j) = \omega_j, \quad j = 1, \dots, m_k - 1.$$

We may extend φ_k to $[0, \infty]$ by setting $\varphi_k(x) := 0$ for $x < M_k$ and $\varphi_k(x) := 1$ for $x \geq \widetilde{M}_k$.

It remains to choose γ_k sufficiently large such that the following hold.

(I5.4) $\gamma_k \geq \Gamma_k(\gamma_{k_*})$, where Γ_k is the function from Observation 4.3, for expansion constants $K = 3$ and $\lambda = 4$. This ensures that the rescaled system $(g_j)_{j=1}^\infty$ is indeed expanding.

(I5.5) $\max\{|x_1 - x_2| : x_1, x_2 \in [M_k, \widetilde{M}_k] \text{ and } |\varphi_k(x_1) - \varphi_k(x_2)| \leq 1/\gamma_k\} < 1/4$. (Observe that this holds also for $k = 0$ by choice of γ_0 .)

This completes the inductive construction.

Analysis of the construction. We must now show that our construction does indeed yield two expanding inverse systems that are pseudo-conjugate, and hence have homeomorphic inverse limits. The key property is as follows (see also Figure 5).

10.6. Lemma (Pseudo-conjugacy relation).

Let $k \geq 1$ and $w \in \overline{T}$. Then $\operatorname{Re} f_k(w) \geq M_{k_*} - 1$ and

$$(10.6) \quad |\psi_{k_*}(f_k(w)) - g_k(\psi_k(w))| < 3/\gamma_{k_*}.$$

Proof. Set $z := f_k(w) = F^{-(N_k+1)}(w + 2\pi is(k))$. Let $j \in \{1, \dots, m_k\}$ be such that $\psi_k(w) = \varphi_k(\operatorname{Re} w) \in [\omega_k^{j-1}, \omega_k^j]$ and recall the definition of the interval \tilde{I}_k^j from step I3 of the construction. We set $\tilde{I} := \tilde{I}_k^j$ if $j < m_k$. For $j = m_k$, we set $\tilde{I} := \tilde{I}_k^{m_k} \cup [R_k + 1, \infty)$, so that $[R_k, \infty) \subset \tilde{I}$ (recall that $[\vartheta_k^{\gamma_{k_*}-1}, R_k + 1] \subset \tilde{I}_k^{m_k}$, and that $\vartheta_k^{\gamma_{k_*}-1} \leq R_k$ by (I2.4)). In either case,

$$(10.7) \quad \varphi_{k_*}(F_{k-1}^{-N_k}(\tilde{I})) = I_k^j \supset g_k([\omega_k^{j-1}, \omega_k^j]) \ni g_k(\psi_k(w)).$$

Claim. Set $\zeta := F^{-1}(w + 2\pi is(k))$. Then the Euclidean distance between ζ and \tilde{I} is less than 6.

Proof. Set $\tilde{w} := \operatorname{Re} w + 2\pi is(k)$, and consider the points $\zeta_1 := F^{-1}(\tilde{w})$ and $\zeta_2 := F_k^{-1}(\tilde{w})$. Then $|\zeta - \zeta_1| \leq \pi/2$ by Observation 10.5. Furthermore,

$$(10.8) \quad \operatorname{Re} \zeta_2 \in \tilde{I}.$$

Indeed, if $\operatorname{Re} w \leq \eta_k^{m_k}$, then by the definition of φ_k in (I5.3), $\eta_k^{j-1} \leq \operatorname{Re} w \leq \eta_k^j$ (with the convention that $\eta_k^0 = 0$). The curve

$$\{F_k^{-1}(x + 2\pi is(k)) : \eta_k^{j-1} \leq x \leq \eta_k^j\}$$

is a geodesic connecting C_k^{j-1} and C_k^j by choice of η_k^j in (I5.1) (using (I4.1) in the case where $j = 1$). Hence by (I3.6), its real parts belong to \tilde{I}_k^j , establishing (10.8). On the other hand, if $\operatorname{Re} w > \eta_k^{m_k}$, then $\zeta_2 \notin U_k$ by (I5.1). Hence $\operatorname{Re} \zeta_2 > R_k$ by (I4.3), and (10.8) holds in this case also.

To complete the proof, first suppose that $\operatorname{Re} w \leq \widetilde{M}_k$. Then $|\zeta_1 - \zeta_2| \leq 1/2$ by the choice of R_{k+1} in (I2.5), and hence, by (10.8),

$$\operatorname{dist}(\zeta, \tilde{I}) \leq |\zeta - \zeta_1| + |\zeta_1 - \zeta_2| + \operatorname{dist}(\zeta_2, \tilde{I}) \leq \frac{\pi}{2} + \frac{1}{2} + \pi < 6.$$

On the other hand, if $\operatorname{Re} w > \widetilde{M}_k$, then by (I5.2)

$$|\operatorname{Im}(w + 2\pi is(k))| \leq (2s(k) + 1)\pi \leq \widetilde{M}_k < \operatorname{Re} w.$$

Hence $|\zeta - F^{-1}(\operatorname{Re} w)| \leq 2$ by Observation 10.5, and

$$\operatorname{Re} \zeta \geq \operatorname{Re} F^{-1}(\operatorname{Re} w) - 2 \geq F^{-1}(\widetilde{M}_k) - 2 \geq F_k^{-1}(\widetilde{M}_k) - 5/2 > R_k$$

by (I2.5) and (I5.2). Since $[R_k, \infty] \subset \tilde{I}$, this completes the proof of the claim. \triangle

By (I2.3) and Observation 10.5, $z = F^{-N_k}(\zeta)$ has distance less than

$$6 \cdot 2^{-N_k} \leq 6 \cdot \frac{\alpha_{k_*}}{12} = \frac{\alpha_{k_*}}{2}$$

from $F^{-N_k}(\tilde{I})$. Furthermore, by (I2.5), every point of $F^{-N_k}(\tilde{I})$ has distance at most $\alpha_{k_*}/2$ from $F_{k-1}^{-N_k}(\tilde{I})$. In particular, $\operatorname{Re} z \geq M_{k_*} - \alpha_{k_*} \geq M_{k_*} - 1$.

Finally, recall that I_k^j has length at most $2/\gamma_{k_*}$ by (I1.1). By (10.7) and the definition of α_{k_*} in (I2.1), we have indeed established (10.6). \blacksquare

Recall that the metric d_{Y_k} on Y_k is defined by scaling the Euclidean metric by a factor of γ_k . Hence Lemma 10.6 shows that the functions $\psi_k: \hat{T} \rightarrow [0, 1]$; $\psi_k(z) = \varphi_k(\operatorname{Re} z)$ satisfy Property (a) of Definition 4.5. Strictly speaking, we proved this property only for points in $\bar{T} = \mathbb{C} \cap \hat{T}$, but $f_k(\infty) = \infty$, $g_k(1) = 1$ and $\psi_k(\infty) = 1$ for all k , so the claim is trivial at ∞ .

We next verify the remaining properties from Definition 4.5. To do so, we must define the metric d_{X_k} on $X_k = \hat{T}$. We set

$$L_k: [0, \infty] \rightarrow [M_k - 1, \widetilde{M}_k + 1]; \quad x \mapsto \begin{cases} M_k - 1 + \frac{x}{M_k} & \text{if } x < M_k \\ \widetilde{M}_k + 1 - \frac{M_k}{x} & \text{if } x > \widetilde{M}_k \\ x & \text{otherwise,} \end{cases}$$

$$\tilde{L}_k: \hat{T} \rightarrow \mathbb{C}; \quad x + iy \mapsto L(x) + iy, \quad \text{and}$$

$$(10.9) \quad d_{X_k}(z, w) := |\tilde{L}_k(z) - \tilde{L}_k(w)|.$$

10.7. Proposition (Further pseudo-conjugacy conditions).

The map ψ_k is surjective for all $k \geq 0$. Furthermore, the following holds for all $\Delta \in \mathbb{N}$.

- (a) If $z, \tilde{z} \in \hat{T}$ with $d_{Y_k}(\psi_k(z), \psi_k(\tilde{z})) \leq \Delta \in \mathbb{N}$, then $d_{X_k}(z, \tilde{z}) \leq \Delta/4 + 9$.
- (b) If $k \geq 1$ and $z, \tilde{z} \in \hat{T}$ with $d_{X_k}(z, \tilde{z}) \leq \Delta$, then $|\psi_{k_*}(f_k(z)) - \psi_{k_*}(f_k(\tilde{z}))| \leq (\Delta + 8)/\gamma_{k_*}$.

Proof. The first claim holds by the definition of φ_k in (I5.3).

To prove (a), let us assume without loss of generality that $\psi_k(z) \leq \psi_k(\tilde{z})$. The assumption implies that the interval $[\psi_k(z), \psi_k(\tilde{z})]$ intersects at most $\Delta + 1$ complementary intervals of Ξ_k . By (I5.5) and the definition of d_{X_k} , we have $d_{X_k}(\operatorname{Re} z, \operatorname{Re} \tilde{z}) \leq (\Delta + 1)/4 + 2$. The claim follows since $2\pi + 1/4 + 2 < 9$.

For (b), observe from (I3.5) that the hyperbolic distance between different η_k^j is bounded from below by 1. In particular, the Euclidean distance between them is greater than 1. It follows from the definition of φ_k in step I5 that the interval between $\varphi_k(\operatorname{Re} z)$ and

$\varphi_k(\operatorname{Re} \tilde{z})$ intersects at most $\Delta + 1$ of the complementary intervals of Ω_k . The image of each of these intervals contains at most one element of $\Xi_{k_*} \setminus \{0, 1\}$ by (I1.1), so

$$|g_k(\varphi_k(\operatorname{Re} z)) - g_k(\varphi_k(\operatorname{Re} \tilde{z}))| \leq (\Delta + 2)/\gamma_{k_*}.$$

By Lemma 10.6, it follows that

$$|\psi_{k_*}(f_k(z)) - \psi_{k_*}(f_k(\tilde{z}))| \leq \frac{\Delta + 8}{\gamma_{k_*}}. \quad \blacksquare$$

The final piece of the puzzle is the expanding property of the maps f_k .

10.8. Proposition (Expanding system).

The system $(X_k, f_{k+1})_{k=0}^\infty$, equipped with the metrics d_{X_k} as described above, is expanding in the sense of Definition 4.1.

Proof. Let $k \geq 1$ and let $z, \tilde{z} \in \hat{T}$. Set $\Delta := d_{X_k}(z, \tilde{z})$. By Proposition 10.7 (b), (I5.5) and the definition of $d_{X_{k_*}}$ we see that

$$d_{X_{k_*}}(f_k(z), f_k(\tilde{z})) < \frac{[\Delta] + 8}{4} + 2 + 2\pi \leq \frac{\Delta}{4} + 11 \leq \frac{\max(\Delta, 44)}{2}.$$

This establishes part (1) of Definition 4.1.

From Observation 10.5 and (I2.3), we have $|f'_k(z)| \leq 1/12$ for all $z \in \bar{T}$ and all k . In particular, if $A \subset \bar{T}$ has Euclidean diameter at most Δ , then $\operatorname{diam}(f_{k,\dots,j}) \leq 2^{k-j} \cdot \Delta$ for all $k \geq j$. Recall that the metric d_{X_k} agrees with the Euclidean metric at real parts between M_k and \widetilde{M}_k . So consider the sets $A_k := \{z \in \bar{T} : \operatorname{Re} z \leq M_k\}$ and $B_k := \{z \in \bar{T} : \operatorname{Re} z \geq \widetilde{M}_k\}$. To establish Definition 4.1, it remains only to show that, for each j , the diameter of $f_{k,\dots,j}(A_k)$ and $f_{k,\dots,j}(B_k)$ tends to zero as $k \rightarrow \infty$.

First let $k \geq 1$ and consider the set A_k . Then $\varphi_k(\operatorname{Re} z) = 0$ for all $z \in A_k$, and by Lemma 10.6 and (I5.5), the Euclidean diameter of $f_k(A_k)$ is bounded by $3 + 2\pi$. The desired property follows from the previous observation.

Now consider B_k . By continuity of F at ∞ , it is sufficient to show that $f_{k,\dots,0}(B_k) \rightarrow \infty$ as $k \rightarrow \infty$. Let $z \in B_k$, and set $x := \operatorname{Re} z \geq \widetilde{M}_k$. Define $z_k := z$, $x_k := x$, and, inductively,

$$(10.10) \quad z_{j-1} := f_j(z_j) \quad \text{and} \quad x_{j-1} := F^{-(N_j+1)}(x_j) \quad (1 \leq j \leq k).$$

Claim. $|\operatorname{Re} z_j - x_j| \leq 1$ and $x_j \geq \widetilde{M}_j$ for all $j = 0, \dots, k$.

Proof. This is trivial for $j = k$. Now assume that the claim holds for $j \in \{1, \dots, k\}$. First note that

$$(10.11) \quad x_{j-1} \geq F^{-(N_j+1)}(\widetilde{M}_j) \geq F_j^{-(N_j+1)}(\widetilde{M}_j) - \frac{1}{2} \geq \widetilde{M}_{j-1} + 1/2$$

by (I2.5) and (I5.2). Furthermore, $2\pi s(j) \leq \widetilde{M}_j$ also by (I5.2). So

$$|F^{-1}(x_j) - F^{-1}(z_j + 2\pi is(j))| \leq |F^{-1}(x_j) - F^{-1}(x_j + 2\pi is(j))| + \frac{\pi + 1}{2} \leq 5$$

by Observation 10.5. Recalling that $(F^{-N_k})' \leq 1/12$ on \bar{T} by (I2.3), we are done. \triangle

In particular, using (I2.5) and (I5.2) again, and recalling the definition of n_k in (10.3),

$$\begin{aligned} \operatorname{Re} f_{k,\dots,0}(z) &= \operatorname{Re} z_0 \geq x_0 - 1 = F^{-n_k}(x_k) - 1 \\ &\geq F^{-n_k}(\widetilde{M}_k) - 1 \geq F_k^{-n_k}(\widetilde{M}_k) - 3/2 \geq k - 2 \rightarrow \infty. \end{aligned} \quad \blacksquare$$

Proof of Theorem 10.1 and Proposition 10.2. The system (g_k) is expanding by construction and Observation 4.3, while (f_k) is expanding by Proposition 10.8. By Lemma 10.6 and Proposition 10.7, the inverse systems (f_k) and (g_k) are pseudo-conjugate via the maps ψ_k .

Applying Proposition 4.6, we see that the inverse limits $X = \varprojlim_{k=0}^{\infty} (X_k, f_{k+1})$ and $Y = \varprojlim_{k=0}^{\infty} (Y_k, g_k)$ are homeomorphic. Moreover, since $\psi_k(\infty) = 1$ for all k , the homeomorphism between the two systems sends $\infty \leftarrow \infty \leftarrow \dots$ to $1 \leftarrow 1 \leftarrow \dots$ by Observation 4.7. Also recall that X is homeomorphic to the Julia continuum $\hat{J}_{\underline{s}}(\tilde{F})$, where \tilde{F} is as in Remark 10.3 and \underline{s} is given by (10.2), via projection to the initial coordinate. This proves the first part of Theorem 10.1; recall that the second part will follow once we have established Proposition 10.2.

To do so, let $z \in J_{\underline{s}}$. Applying Lemma 10.6 to $w = F^{n_{k+1}}(z) - 2\pi is(k+1)$, we see that $\operatorname{Re} F^{n_k}(z) \geq M_k - 1 \geq 9$. By Observation 10.5, it follows that $\operatorname{Re} F^n(z) \geq \operatorname{Re} F^{n_k}(z)$ for $n_k \leq n < n_{k+1}$. This establishes part (a) of Proposition 10.2.

To prove (b), let $h: \hat{J}_{\underline{s}} \rightarrow Y$ denote the homeomorphism whose existence follows from Proposition 4.6, and h_k its k -th component. Recall that the expansion constants $K = 3$ and $\lambda = 4$ for the system $(g_j)_{j=1}^{\infty}$ were chosen in (I5.4), and that the constant $M = 3$ for the pseudo-conjugacy property (a) of Definition 4.5 was obtained in Lemma 10.6. Using these values, we can estimate h_k using (4.2)

$$|h_k(z) - \psi_k(F^{n_k}(z))| \leq \frac{4}{\gamma_{k_*}}$$

for all $z \in \hat{J}_{\underline{s}}$ and all $k \geq 0$. If $h_k(z) = 0$, this implies by (I5.5) that $\operatorname{Re} F^{n_k}(z) < M_k + 1$, as desired.

Finally, suppose that $\liminf \operatorname{Re} F^{n_k}(z) - M_k < \infty$. Since $\psi_k(M_k) = 0$, it follows from Proposition 10.7 (b) that $\liminf \gamma_k \cdot \psi_k(F^{n_k}(z) - 2\pi is(k)) < \infty$. Note that $\gamma_k \rightarrow \infty$: Indeed, by definition the diameter of the spaces in an expanding inverse system with non-degenerate inverse limit cannot remain bounded. It follows that $\liminf h_k(z) = 0$, as desired. \blacksquare

10.9. Remark (Number of tracts).

We have chosen to carry out our construction with a function having a single tract (up to translations by multiples of $2\pi i$). Some of the technicalities of the construction could be simplified by allowing an infinite number of tracts. Indeed, we could then introduce a new tract at each stage, having a similar shape as our domains U_k , removing the need to modify these tracts and their functions at later stages. This means the parts of the argument that deal with making sure that the iterates of F are sufficiently closely approximated by those of F_{k-1} (such as in the choice of R_k) can be omitted. At each stage of the construction, we would still use N_k iterates in an auxiliary tract, which can be chosen just as the strip S , to transport the interval $[M_k, \widetilde{M}_k]$ sufficiently far to the right.

This would not be necessary if we are content with constructing Julia continua that escape to infinity uniformly, allowing a further simplification in which we are left only with a sequence of tracts T_k , one for each function g_k , and the address $T_0T_1T_2\dots$. However, being able to choose non-uniformly escaping Julia continua is key to proving Theorems 1.6 and its strengthening, Theorem 2.10.

11. APPLICATIONS OF THE CONSTRUCTION: POINT ESCAPING COMPOSANTS AND NONESCAPING POINTS

We now proceed to some applications of Theorem 10.1 and Proposition 10.2.

Proof of Theorems 1.6 and 2.10. Recall that Theorem 2.10 implies Theorem 1.6. Furthermore, the second sentence in part (b) of Theorem 2.10 follows from the remainder of the theorem, using Theorem 2.9. (Alternatively, this property can also be easily deduced directly from the construction below.)

Consider the function

$$g: [0, 1] \rightarrow [0, 1]; \quad x \mapsto \begin{cases} 2x - 1 & \text{if } x \geq \frac{1}{2} \\ \frac{1-2x}{4} & \text{if } x < \frac{1}{2}. \end{cases}$$

(Compare Figure 6.) By [IM12, Section 1.2, Example 12], $Y := \varprojlim g$ is homeomorphic to an arc. Furthermore, suppose that $x_0 \leftarrow x_1 \leftarrow x_2 \leftarrow \dots$ is a point in this inverse limit with $x_0 > 1/4$; then $x_n \rightarrow 1$ as $n \rightarrow \infty$. As $g^{-1}(0) = \{1/2\}$, this implies that

$$(11.1) \quad \liminf_{n \rightarrow \infty} x_n > 0$$

for all inverse orbits $(x_n) \in Y$.

Let F , \underline{s} and n_k be as in Proposition 10.2, taking $M_k = 10$ for all k . Consider the Julia continuum $\hat{C} := \hat{J}_{\underline{s}}(F)$. Then $C \subset I(F)$ by (11.1) and Proposition 10.2 (b). On the other hand,

$$\liminf_{n \rightarrow \infty} \min_{z \in C} \operatorname{Re} F^n(z) = \liminf_{k \rightarrow \infty} \min_{z \in C} \operatorname{Re} F^{n_k}(z) \leq 11$$

by choice of M_k and Proposition 10.2.

We now apply Theorem 3.5 to obtain a transcendental entire function $f \in \mathcal{B}$ topologically conjugate to the function $\exp(z) \mapsto \exp(F(z))$. As desired, the image of $\exp(\hat{C})$ under this conjugacy is a Julia continuum of f that is homeomorphic to an arc, contains only escaping points, but on which the iterates do not escape to infinity uniformly. ■

We now complete the proof of Theorem 2.3. Recall that the first half of the theorem, concerning the terminal nature of nonescaping and accessible points, was established in Theorems 5.8 and 5.10. Also recall that the set of nonescaping points in a given Julia continuum has Hausdorff dimension zero by Proposition 5.9. Hence it remains to prove that there is a disjoint-type entire function f having a Julia continuum \hat{C} such that the set of nonescaping points in \hat{C} is a Cantor set, and another function having a Julia continuum containing a dense set of nonescaping points. Both results will be proved using Proposition 10.2.

To prove the second statement, we shall use the following general topological fact.

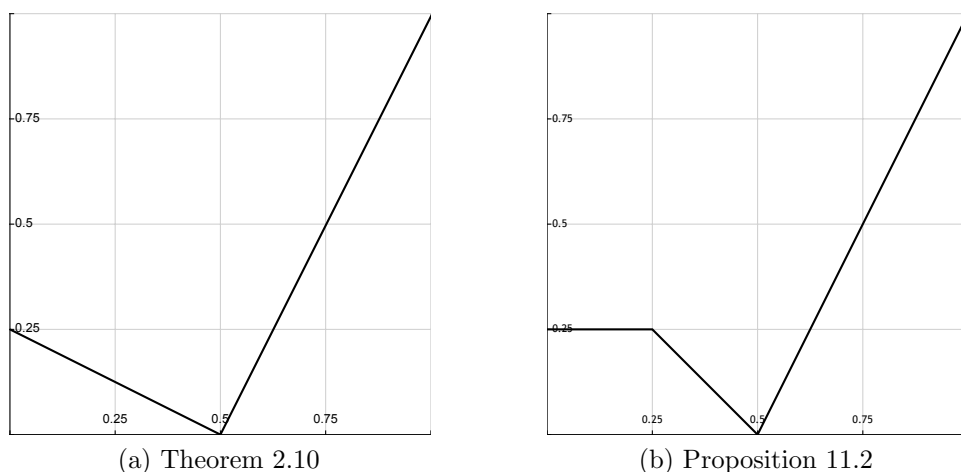


FIGURE 6. The graph of the function g from the proof of Theorem 2.10 (left), and the function g_a from the proof of Proposition 11.2, with $a = 1/4$.

11.1. Proposition.

Let X be an arc-like continuum. Suppose that x is a terminal point of X , and that E is a finite or countable set of terminal points, such that X is irreducible between each of these points and x .

Then there is a sequence $g_j: [0, 1] \rightarrow [0, 1]$ of continuous and surjective functions such that $Y := \varprojlim (g_j)$ is homeomorphic to X , in such a way that x corresponds to the point $1 \leftarrow 1 \leftarrow \dots$ and such that every point of E corresponds to a point $x_0 \leftarrow x_1 \leftarrow \dots$ with $x_j = 0$ for infinitely many j .

Proof. This follows from the proof of [Nad92, Theorem 12.19], similarly as in the proof of Proposition 9.2. We omit the details. ■

To construct a Cantor set of nonescaping points, we make an explicit inverse limit construction.

11.2. Proposition (Cantor sets in inverse limit spaces).

There exists a sequence $(g_n)_{n \geq 1}$ of surjective continuous maps $g_n: [0, 1] \rightarrow [0, 1]$, each fixing 1, such that the inverse limit $Y := \varprojlim (g_n)$ has the following properties.

- (a) The set $A := \{(x_n) \in Y : x_n = 0 \text{ for infinitely many } n\}$ is a Cantor set;
- (b) every $(x_n) \in Y \setminus A$ satisfies $\liminf_{n \rightarrow \infty} x_n > 0$.

Proof. For $a \in [0, 1)$, let us define

$$g_a: [0, 1] \rightarrow [0, 1]; \quad x \mapsto \begin{cases} a & \text{if } x \leq \frac{1}{4} \\ a \cdot (2 - 4x) & \text{if } \frac{1}{4} < x \leq \frac{1}{2} \\ 2x - 1 & \text{if } \frac{1}{2} < x \leq 1. \end{cases}$$

Note that $g_a(1 - 2^{-j}) = g_a(1 - 2^{-(j-1)})$ for $j \geq 1$. The desired sequence of maps is given by $g_n := g_{a_n}$, where $a_1 = 0$ and

$$(11.2) \quad a_n := 1 - \frac{1}{2^{\lfloor \frac{n-1}{2} \rfloor}} \quad (n \geq 2).$$

For $n \geq 2$, set

$$k(n) := n - 1 - \lfloor (n-1)/2 \rfloor = \lceil (n-1)/2 \rceil = \lfloor n/2 \rfloor.$$

By (11.2), if $k(n) \leq \tilde{k} < n$, then

$$g_{n, \dots, \tilde{k}}(0) = g_{(n-1), \dots, \tilde{k}}(a_n) = 1 - 2^{k(n) - \tilde{k}}.$$

In particular, $g_{n, \dots, k(n)}(0) = 0$ and $g_{n, \dots, \tilde{k}}(0) \neq 0$ for $k < \tilde{k} < n$.

Now consider $Y = \varprojlim (g_n)$ and the set A from the statement of the proposition. Let $(x_n) \in A$ and $k \geq 1$, and let j be minimal with $x_j = 0$ and $j \geq 2^k$. Then, by construction, $x_{k(j)} = x_{\lfloor j/2 \rfloor} = 0$, and hence $j < 2^{k+1}$. So

$$A = \bigcap_{k \geq 1} \bigcup_{j=2^k}^{2^{k+1}-1} \{(x_n)_{n \geq 0} \in Y : x_j = 0\},$$

and A is compact as an intersection of compact sets. Furthermore, A is totally disconnected, as its projection to the k -th coordinate is countable for all k .

Fix $(x_n) \in A$, and let $n_0 \geq 1$ such that $x_{n_0} = 0$. There are exactly two values of n with $k(n) = n_0$, and hence A contains at least one other point (y_n) with $y_{n_0} = 0$. The distance between (x_n) and (y_n) tends to zero as $n_0 \rightarrow \infty$, so (x_n) is not an isolated point. Thus we have proved that A is a Cantor set, establishing (a).

Finally, suppose that $(x_n) \in Y$ and $\liminf_{n \rightarrow \infty} x_n = 0$. Then there are infinitely many values of n for which $x_n < 1/4$, and hence $x_{n-1} = g_n(x_n) = a_n = g_n(0)$. So

$$x_{k(n)} = g_{n, \dots, k(n)}(x_n) = g_{n, \dots, k(n)}(0) = 0.$$

Since $k(n) \rightarrow \infty$ as $n \rightarrow \infty$, we see that $(x_n) \in A$, establishing claim (b). ■

11.3. Corollary.

There exists a disjoint-type entire function f having a Julia continuum \hat{C} such that the set of nonescaping points is dense in \hat{C} .

There also exists a disjoint-type entire function f having a Julia continuum \hat{C} such that the set of nonescaping points in \hat{C} is a Cantor set.

Remark. This completes the proof of Theorem 2.3

Proof. Let Y be an arc-like continuum containing a terminal point x and a dense countable set E of terminal points such that Y is irreducible between x and e for all $e \in E$. Apply Proposition 11.1 to obtain an inverse limit representation of Y where the set E consists of points having infinitely many components equal to 0. By Proposition 10.2, there is a disjoint-type $F \in \mathcal{B}_{\log}^{\text{p}}$ having a Julia continuum homeomorphic to Y , and such that every point of E corresponds to a nonescaping point of F . An application of Theorem 3.5 now yields the first claim.

(An example of a continuum Y with the desired property is given by the pseudo-arc. Indeed, since every point is terminal, we can simply select a countably dense subset E of one component, and choose x in some other component. We remark that it is also straightforward to construct such an inverse limit Y with the desired properties directly, without using Proposition 11.1.)

The second claim follows in analogous manner, using the inverse limit from Proposition 11.2. \blacksquare

Remark. A continuum containing a dense set of terminal points must necessarily be either indecomposable or the union of two indecomposable continua [CM87].

12. REALIZING ALL ARC-LIKE CONTINUA BY A SINGLE FUNCTION

In this section, we complete the proof of Theorems 1.3, by showing that all the arc-like continua in question can be realised by a single function.

12.1. Theorem (A universal Julia set for arc-like continua).

There exists a disjoint-type function $F \in \mathcal{B}_{\log}^{\mathbb{P}}$ with the following property.

Let Y be an arc-like continuum having a terminal point y_1 . Then there is a Julia continuum $\hat{J}_{\underline{s}}(F)$ such that $\hat{J}_{\underline{s}}(F)$ is homeomorphic to Y , with ∞ corresponding to y_1 .

Proof. By Proposition 9.3, there is a countable set \mathcal{G} of functions $g: [0, 1] \rightarrow [0, 1]$ with $g(1) = 1$ such that every arc-like continuum with a terminal point can be written as an inverse limit with bonding maps in \mathcal{G} .

Let $(S^k)_{k \geq 1}$ be an enumeration of all finite sequences of maps in \mathcal{G} ; that is, $k \mapsto S^k$ gives a bijection from \mathbb{N} to the set of all finite sequences of maps in \mathcal{G} . Let us write $S^k = (g_0^k, g_1^k, \dots, g_{\ell_k}^k)$, with $g_j^k \in \mathcal{G}$, for $k \geq 1$, and also let us write κ for the inverse of this bijection; that is, $\kappa(S^k) = k$. We may assume that no sequence S appears before any of its prefixes in the enumeration. In other words, denote by $\sigma(S)$ the sequence obtained from S by forgetting the final entry. Then $\kappa(\sigma(S)) < \kappa(S)$. Here we use the convention that $\kappa(\sigma(S)) = 0$ if S has length 1.

We now set $g_k := g_{\ell_k}^k$,

$$(12.1) \quad k_* := \kappa(\sigma(S^k))$$

and $M_k := 10$ for all k . We then carry out exactly the same construction as in the proof of Theorem 10.1, but using the above definition of k_* instead of that in (10.5), and defining n_k inductively by $n_0 := 0$ and

$$n_k := n_{k_*} + N_k + 1,$$

instead of using (10.3). This yields a tract T , a function F (and the associated map $\tilde{F} \in \mathcal{B}_{\log}^{\mathbb{P}}$), and sequences N_k and $s(k)$ of integers.

If S is an infinite sequence in \mathcal{G} , let $S(j)$ be the finite sequence consisting of the first j entries of S , and set $k_j := \kappa(S(j))$. Then $S = (g_{k_j})_{j \geq 1}$, and $k_j = (k_{j+1})_*$ for all j . Define an external address of \tilde{F} by

$$\underline{s} := \underline{s}(S) := 0^{N_{k_1}} s(k_1) 0^{N_{k_2}} s(k_2) \dots$$

The proof of Theorem 10.1 now goes through as before, with a small number of obvious adjustments to notation in the proofs of Proposition 10.8 and Theorem 10.1. For example, we should replace (10.10) by

$$(12.2) \quad z_{j_*} := f_j(z_j) \quad \text{and} \quad x_{j_*} := F^{-(N_j+1)}(x_j).$$

We conclude that $\hat{J}_{\underline{s}}(\tilde{F})$ is homeomorphic to $\varprojlim_{j=1}^{\infty} (g_{k_j})$. As every Julia continuum with a terminal point arises in this way, the proof is complete. ■

Proof of Theorem 1.3. The first part of the theorem was established in Theorem 5.7 and Proposition 7.6. The second part of the theorem follows from Theorem 12.1, again combined with Theorem 3.5 to realise the example by a disjoint-type entire function. ■

13. BOUNDED-ADDRESS JULIA CONTINUA

We now turn our attention to constructing Julia continua at bounded external addresses with prescribed topology.

13.1. Theorem (Prescribed bounded-address Julia continua).

Let Y be an arc-like continuum containing two terminal points y_0 and y_1 such that Y is irreducible between y_0 and y_1 . Then there exists a disjoint-type function $F \in \mathcal{B}_{\log}^p$, having bounded slope and bounded decorations, and a bounded external address of F such that the Julia continuum $\hat{J}_{\underline{s}}(F)$ is homeomorphic to Y . Under this homeomorphism, the unique point in $\hat{J}_{\underline{s}}(F)$ that has a bounded orbit corresponds to y_0 , while ∞ corresponds to y_1 .

The construction is very similar to the proof of Theorem 10.1. In order to construct a bounded address, we cannot, however, use “side channels” of a single tract as in Section 10. Hence we instead construct a function having exactly two tracts S and T modulo $2\pi i\mathbb{Z}$. Corollary 8.3 shows that this is indeed necessary.

Recall from Proposition 9.2 that Y can be described as an inverse limit of functions $g_k: [0, 1] \rightarrow [0, 1]$ with $g_k(0) = 0$ and $g_k(1) = 1$. We fix this sequence for the remainder of the construction.

Description of the tracts S and T . Both tracts are contained in the half-strip $\{x + iy: x > 2 \text{ and } -\pi/2 < y < 3\pi/2\}$. Similarly as in Section 10, we shall not require that the tracts are Jordan domains, or that their closures are disjoint. Once the conformal isomorphisms $F_S: S \rightarrow \mathbb{H}$ and $F_T: T \rightarrow \mathbb{H}$ are defined, we obtain a disjoint-type function \tilde{F} by restriction and periodic extension as in Remark 10.3.

The first of the two tracts is the half-strip

$$S := \{x + iy: x > 2 \text{ and } |y| < \pi/2\},$$

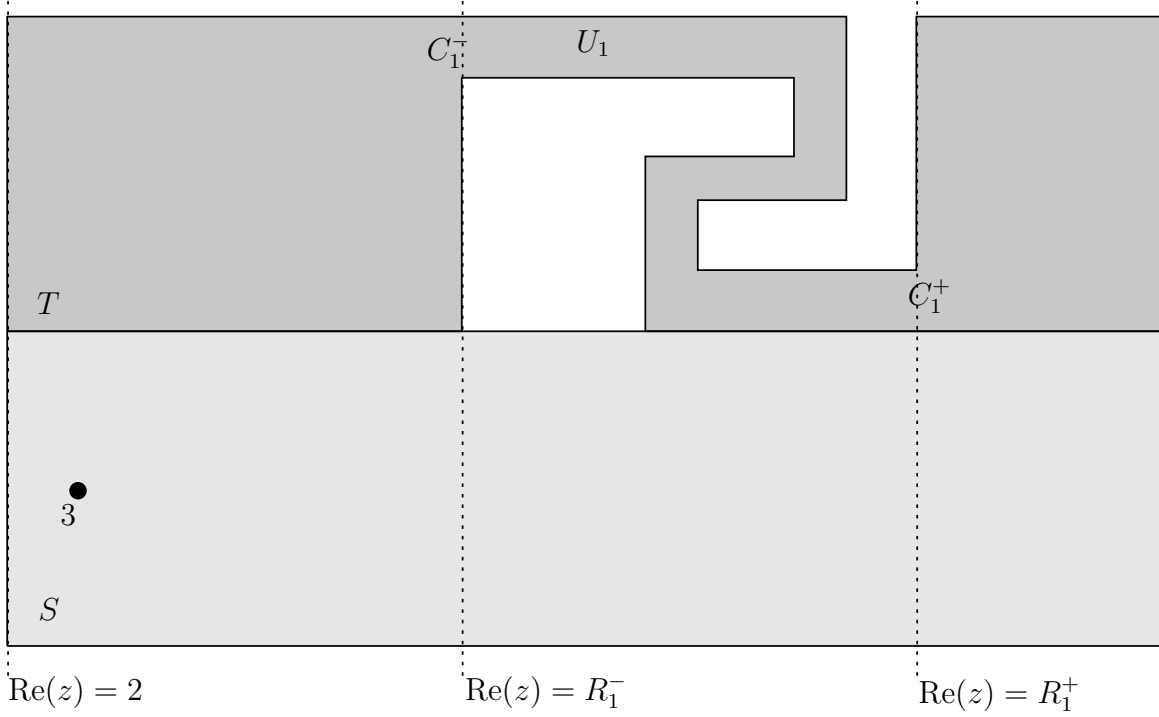
together with the function $F_S: S \rightarrow \mathbb{H}$ with $F_S(3) = 3$ and $F'_S(3) > 0$. This tract plays essentially the same role as the central strip of the tract from Section 10: it is used to shift our Julia continuum sufficiently to the right.

The second tract,

$$T \subset \{x + iy: x > 2 \text{ and } \pi/2 < y < 3\pi/2\}$$

is determined by numbers R_k^-, R_k^+ with $4 \leq R_k^- < R_k^+ < R_{k+1}^-$, domains

$$U_k \subset \{x + iy: R_k^- < x < R_k^+ \text{ and } \pi/2 < y < 3\pi/2\}$$


 FIGURE 7. The tracts S and T .

and arcs C_k^- and C_k^+ , with

$$C_k^\pm \subset \partial U_k \cap \{x + iy : x = R_k^\pm\}.$$

(See Figure 7.) The tract T is defined as

$$T := \bigcup_{k \geq 1} \{x + iy : R_{k-1}^+ < x < R_k^- \text{ and } \pi/2 < y < 3\pi/2\} \cup \text{int}(C_k^-) \cup U_k \cup \text{int}(C_k^+).$$

(Here we use the convention that $R_0^+ = 2$.) The function $F_T : T \rightarrow \mathbb{H}$ is chosen such that $F_T(3 + \pi i) = 3$ and $F_T(\infty) = \infty$.

The choices of R_k^\pm , U_k and C_k^\pm will again be specified in a recursive construction. For this purpose we define partial tracts

$$T_k := \left(\bigcup_{j=1}^k \{x + iy : R_{j-1}^+ < x < R_j^- \text{ and } \pi/2 < y < 3\pi/2\} \cup \text{int}(C_j^-) \cup U_j \cup \text{int}(C_j^+) \right) \cup \{x + iy : x > R_k^+ \text{ and } \pi/2 < y < 3\pi/2\},$$

and associated conformal isomorphisms $F_k : T_k \rightarrow \mathbb{H}$.

The external address in question is of the form

$$(13.1) \quad \underline{s} = S^{N_1} T S^{N_2} T S^{N_3} T \dots$$

We set $n_k := k + \sum_{j \leq k} N_j$. The construction is very similar to the proof of Theorem 10.1. We construct the tract T recursively along with a pseudo-conjugacy (ψ_k) between the

system (f_k) defined by

$$f_k: \hat{S} \rightarrow \hat{S}; \quad z \mapsto F_S^{-N_k}(F_T^{-1}(z)),$$

where $\hat{S} = \bar{S} \cup \{\infty\}$, and the system (g_k) . The maps ψ_k are again of the form $\psi_k(z) = \varphi_k(\operatorname{Re} z)$, where $\varphi_k: [0, \infty] \rightarrow [0, 1]$ is a homeomorphism on a certain interval $[M_k, \widetilde{M}_k]$, and constant for $x \leq M_k$ and for $x \geq \widetilde{M}_k$. Note that $M_k \geq 4$ is no longer arbitrary as in Proposition 10.2, but instead determined as part of the construction.

The metric d_{X_k} on $X_k = \hat{S}$ is defined as in (10.9), and the metric on $Y_k = [0, 1]$ is once more the Euclidean metric, scaled up by a factor of $\gamma_k \in Y_k$.

The recursive construction is very similar to that in Section 10, so we focus on discussing those places where adjustments are needed; see also Figure 8. We define Ξ_k and (ξ_k^j) as in Section 10, and again construct a finite set $\Omega_k \subset [0, 1]$ as part of the construction. Begin by setting $M_0 := 4$, $\widetilde{M}_0 := 5$, $\varphi_0(x) = x - 4$ for $4 \leq x \leq 5$ and satisfying (10.4) elsewhere, and $\gamma_0 := 5$. The number k_* is used in exactly the same way as in Section 10. That is, $k_* = k - 1$ for the purpose of the proof of Theorem 13.1, but a different choice is used in the proof of Theorem 2.5.

I1. Step I1 is the same as in Section 10.

I2. Step I2 changes slightly, and indeed simplifies. The numbers R_k^- and R_k^+ will be determined once N_k is fixed, via

$$(13.2) \quad R_k^- := F_S^{N_k}(4) \quad \text{and} \quad R_k^+ := F_S^{N_k}(\widetilde{M}_{k_*}).$$

We then choose N_k to satisfy (I2.3). Additionally, by choosing N_k and hence R_k^- sufficiently large, we can ensure – analogously to Observation 10.4 – that

$$(13.3) \quad |F_T^{-1}(z) - F_{k-1}^{-1}(z)| \leq 1/k$$

when $|\operatorname{Im} z| \leq 2\pi$ and $1 \leq \operatorname{Re} z \leq \widetilde{M}_{k-1}$.

I3. We set

$$\vartheta_k^\ell := F_S^{N_k}(\varphi_{k_*}^{-1}(\xi_{k_*}^\ell))$$

for $0 \leq \ell \leq \gamma_{k_*}$. The domains U_k^j and arcs C_k^j , which together form the domain U_k , are chosen similarly as in Section 10; see Figure 8. The only changes from the conditions given in step I3 there are that \tilde{I}_k^0 is extended to $R_k^- - 1$ on the left, $\tilde{I}_k^{m_k}$ is extended to $R_k^+ + 1$ on the right, and (I3.2) becomes

$$(13.4) \quad C_k^- := C_k^0 \subset \{x + iy: x = R_k^-\} \quad \text{and} \quad C_k^+ := C_k^{m_k} \subset \{x + iy: x = R_k^+\}.$$

This completes the description of the partial tract T_k and the map F_k .

I4. There is no analogue of step I4. Observe that the curve $F_k^{-1}([2, \infty))$ is guaranteed to run through the entire domain U_k by construction.

I5. Define

$$(13.5) \quad M_k := \min\{x: F_k^{-1}(x) \in C_k^0\} \quad \text{and}$$

$$(13.6) \quad \eta_k^j := \max\{x: F_k^{-1}(x) \in C_k^j\} \quad (j = 1, \dots, m_k).$$

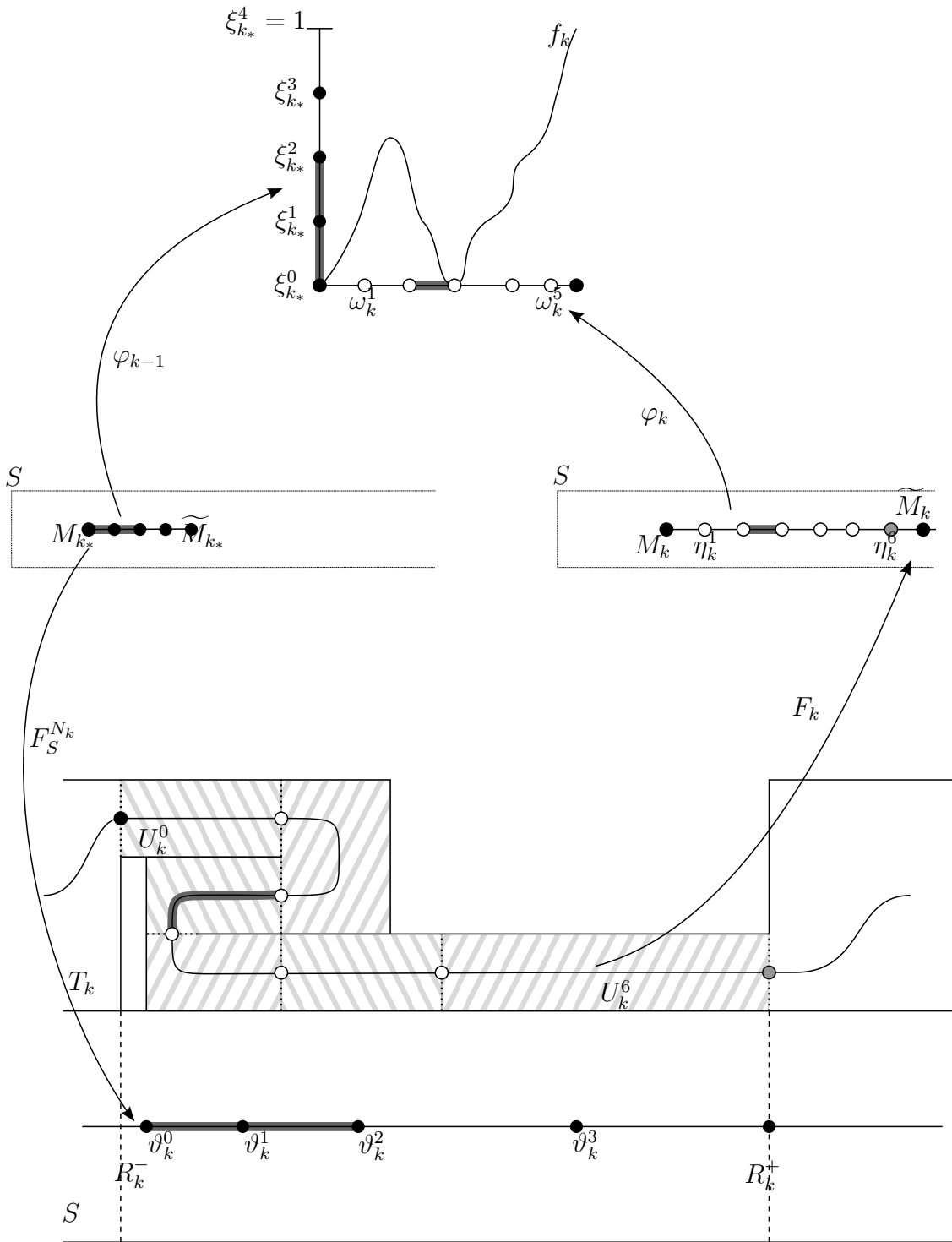


FIGURE 8. Construction of the tracts for Theorem 2.5.

Then choose \tilde{M}_k sufficiently large to ensure that

$$(13.7) \quad F_k^{-1}(\tilde{M}_k) > R_k^+ + 3 \quad \text{and}$$

$$(13.8) \quad F_S^{-N_1}(F_k^{-1}(F_S^{-N_2}(F_k^{-1}(\dots(F_S^{-N_k}(F_k^{-1}(\tilde{M}_k)))\dots)))) \geq k.$$

Now φ_k is defined as in (I5.3), and γ_k is also chosen as in Section 10. This completes the inductive construction.

The analysis of the construction proceeds as in the proof of Theorem 10.1. We first establish the pseudo-conjugacy relation (10.6) in an analogous manner. (Observe that R_k should be replaced by R_k^+ throughout, and that, for $j = 1$, we should modify the definition of \tilde{I} to $\tilde{I} := \tilde{I}_k^0 \cup [3, R_k^-]$.) The proof of Proposition 10.7 remains unchanged.

Finally, expansion of our system (f_k) follows from (13.2) and (I5.2), similarly as in Proposition 10.8. (Observe that the choice of M_k in (13.5), together with that of R_k^- in (13.2), ensure that the part of S to the left of M_k is mapped into a bounded set by f_k .) This completes the proof of Theorem 13.1.

Proof of Theorem 2.5. In precisely the same manner as in Theorem 12.1, we can realise all the relevant continua as bounded-address Julia continua of the same function. Note that, in the construction, we should now replace (13.8) by

$$F_S^{-N_{k_1}}(F_k^{-1}(F_S^{-N_{k_2}}(F_k^{-1}(\dots(F_S^{-N_k}(F_k^{-1}(\tilde{M}_k)))\dots)))) \geq k,$$

where $k_1 < k_2 < \dots < k_\ell = k$ are chosen such that $k_i = (k_{i+1})_*$ and $(k_1)_* = 0$. ■

13.2. Remark (Alternative proof of Theorem 1.3).

We observe that, using Theorem 2.5, we can give an alternative proof of (the second half of) Theorem 1.3.

Indeed, let X be any arc-like continuum having a terminal point x_1 . Then there is an arc-like continuum $Y \supset X$ having a terminal point x_0 such that Y is irreducible between x_0 and x_1 . (Indeed, X can be written as the inverse limit of a sequence of continuous surjective functions $g_k: [0, 1] \rightarrow [0, 1]$ with $g_k(1) = 1$. We can extend each \tilde{g}_k to a map $[-1, 1] \rightarrow [-1, 1]$ fixing -1 , and the inverse limit of these extensions is the desired continuum Y .)

Since the function f from Theorem 2.5 has bounded slope, it follows from Theorem 8.4 that every arc-like continuum having a terminal point is also realised as a Julia continuum of f .

A key difference between the two proofs is that the Julia continua from Theorem 8.4 escape uniformly to infinity, so the examples in Section 11 cannot be obtained in this manner. Furthermore, the function constructed in our original proof has only one tract, but does not have bounded decorations, while the construction of Theorem 2.5 has bounded decorations, but also requires two tracts. Recall from Corollary 8.8 that it is impossible to achieve both at the same time.

14. PERIODIC JULIA CONTINUA

We now construct periodic Julia continua, proving Theorem 2.7.

14.1. Theorem (Constructing invariant Julia continua).

Let \hat{Y} be a continuum, and suppose that there are $y_0, y_1 \in \hat{Y}$ such that \hat{Y} is a Rogers

continuum from y_0 to y_1 . There exist a logarithmic tract T with $\bar{T} \subset \mathbb{H}$ and a conformal isomorphism $F: T \rightarrow \mathbb{H}$ with $F(\infty) = \infty$ such that

$$\hat{C} := \{z \in T: F^n(z) \in T \text{ for all } n \geq 0\} \cup \{\infty\}$$

is homeomorphic to \hat{Y} , with ∞ corresponding to y_1 , and the unique finite fixed point of F corresponding to y_0 .

Moreover, T can be chosen to have bounded slope and bounded decorations.

Let us fix \hat{Y} for the remainder of the section, and let $g: [0, 1] \rightarrow [0, 1]$ be as in the definition of Rogers continua. That is, g fixes 0 and 1, $g(x) < x$ for $0 < x < 1$, and $\varprojlim([0, 1], g)$ is homeomorphic to \hat{Y} . Let $(\tau_k)_{k \geq 0}$ be a strictly increasing sequence in $(0, 1)$ such that

$$(14.1) \quad g(x) < g(\tau_k) \text{ for all } x < \tau_k \text{ and}$$

$$(14.2) \quad g(\tau_{k+3}) = \tau_k$$

for all $k \geq 0$. For example, such a sequence can be defined by

$$\tau(a) := \min\{\tau \in [0, 1]: g(\tau) = a\} \quad (a \in [0, 1]),$$

$$\tau_0 := \tau(1/2), \quad \tau_1 := \tau\left(\frac{1 + \tau_0}{3}\right), \quad \tau_2 := \tau\left(\frac{1 + 4\tau_0}{6}\right) \quad \text{and} \quad \tau_{k+3} := \tau(\tau_k) \quad (k \geq 0).$$

This sequence has the desired properties since $\tau(a) > a$ for all $a \in (0, 1)$ and since $\tau(a)$ is strictly increasing in a . Observe that $\tau_k \rightarrow 1$, as 1 is the only positive fixed point of g . For convenience, we set $\tau_{k-3} := g(\tau_k)$ for $k = 1, 2$.

The fact that

$$(14.3) \quad g(x) \leq g(\tau_k) = \tau_{k-3} < \tau_{k-2}, \quad \tau_{k-1} \leq x \leq \tau_k, \quad k \geq 1,$$

allows us to construct the tract T in stages, with the k -th piece representing

$$(14.4) \quad g: A_k \rightarrow B_{k-3}, \quad \text{where } A_k := [\tau_{k-1}, \tau_k], \quad B_{k-3} := [0, \tau_{k-3}].$$

The same fact also allows us to express $g|_{[0,1]}$ as an expanding system, to which we will be able to apply Proposition 4.6. Indeed, let $(\gamma_k)_{k \geq 0}$ be a sequence of numbers $\gamma_k \geq 1$. We define a metric d_Y on $Y := [0, 1]$ as follows.

$$(14.5) \quad \text{When restricted to } B_0, d_Y \text{ is some metric equivalent to the Euclidean metric, and the } d_Y\text{-length of } B_0 \text{ is } \ell_{d_Y}(B_0) = \gamma_0.$$

$$(14.6) \quad \text{For every } k \geq 1, \text{ the metric } d_Y \text{ is a constant multiple of the Euclidean metric on } A_k, \text{ and } \ell_{d_Y}(A_k) = \gamma_k.$$

14.2. Observation (Expanding metric for g).

There are functions $\Gamma_k: [1, \infty) \rightarrow [1, \infty)$ with the following property. If $\gamma_k \geq \Gamma_k(\gamma_{k-1})$ for all $k \geq 1$, then $g: Y \rightarrow Y$ is an expanding inverse system with respect to d_Y , with expansion constants $\lambda = 2$ and $K = 8\gamma_0$.

Proof. Since $g^k(x) \rightarrow 0$ locally uniformly for $x \in [0, 1)$, condition (2) of Definition 4.1 holds automatically for $g|_{B_0}: B_0 \rightarrow B_0$.

As in Observation 4.3, it is easy to define Γ_k such that condition (2) also holds on A_k , and such that $g|_{A_k}: A_k \rightarrow B_{k-3}$ satisfies (4.1), say for $\tilde{\lambda} = 4$ and $\tilde{K} = 1$, for all $k \geq 1$. (Observe that the definition of the metric on B_{k-3} does not depend on that on A_k .)

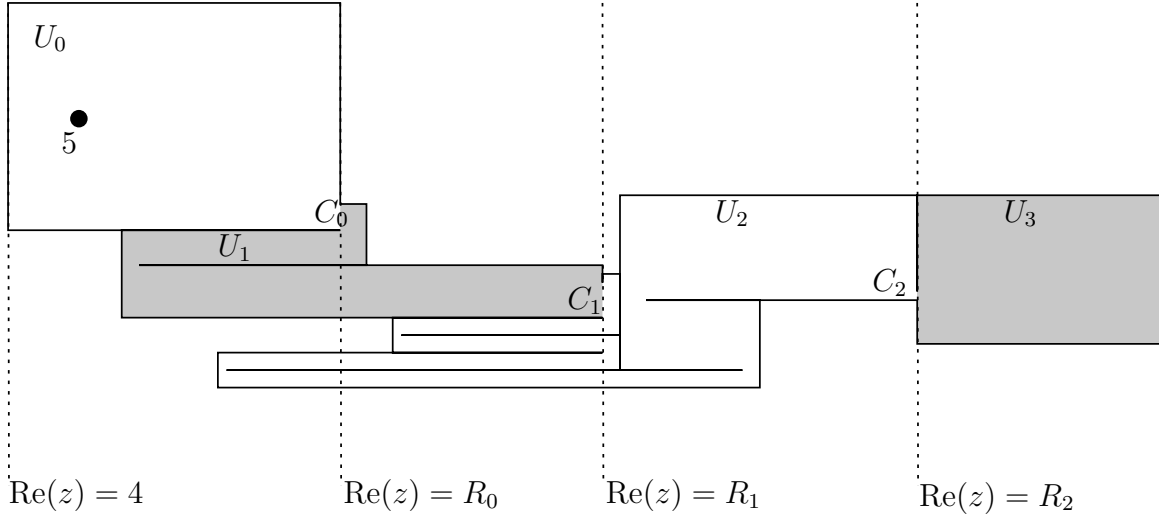


FIGURE 9. The shape of the tract T used to construct a prescribed invariant Julia continuum.

Now suppose that a sequence (γ_k) with the stated properties is given, and let $x, y \in [0, 1)$; we must establish (4.1) for d_Y and g . Set $I_0 := [x, y] \cap B_0$ and $I_k := [x, y] \cap A_k$ for $k \geq 1$. Let \mathcal{K} be the set of $k \geq 0$ for which $I_k \neq \emptyset$; say $I_k = \{k_0, \dots, k_1\}$, and let $\tilde{\mathcal{K}} \subset \mathcal{K}$ consist of those $k \geq 1$ for which the d_Y -length $\ell_{d_Y}(I_k) \geq \tilde{K} = 1$. If $k \in \mathcal{K} \setminus \tilde{\mathcal{K}}$, then either $k = 0$ and $\ell_{d_Y}(g(I_k)) \leq \gamma_0$, or $k \in \{k_0, k_1\}$ and $\ell_{d_Y}(g(I_k)) \leq 1/4 < \gamma_0$ by (4.1). On the other hand, if $k \in \tilde{\mathcal{K}}$, then $\ell_{d_Y}(g(I_k)) \leq \ell_{d_Y}(I_k)/4$ by (4.1). Hence

$$\begin{aligned} d_Y(g(x), g(y)) &\leq \sum_{k \in \mathcal{K}} \ell_{d_Y}(g(I_k)) \leq 2\gamma_0 + \frac{1}{4} \sum_{k \in \tilde{\mathcal{K}}} \ell_{d_Y}(I_k) \leq \\ &2\gamma_0 + \frac{1}{4} \sum_{k \in \mathcal{K}} \ell_{d_Y}(I_k) = 2\gamma_0 + \frac{1}{4} d_Y(x, y) \leq \frac{\max(8\gamma_0, d_Y(x, y))}{2}. \quad \blacksquare \end{aligned}$$

Description of F and T . Our tract T is given as a disjoint union of the form

$$T = \bigcup_{j \geq 0} U_j \cup \text{int}(C_j) \subset \{x + iy : x > 4, |y| < \pi\}.$$

(See Figure 9.) Here $(C_j)_{j \geq 0}$ is a sequence of cross-cuts of T , with C_{j-1} and C_j bounding the subdomain U_j in T for $j \geq 1$. Furthermore,

$$(14.7) \quad \begin{aligned} U_0 &= \{x + iy : 4 < x < R_0, |y| < \pi/2\}, \\ U_j &\subset \left\{ x + iy : 4 < x < R_j, -\pi/2 \cdot \left(1 + \frac{j}{j+1}\right) < y < \pi/2 \right\} \quad (j \geq 1), \quad \text{and} \\ C_j &\subset \{R_j + iy : |y| \leq \pi\} \cap \partial U_j \cap \partial U_{j+1}, \end{aligned}$$

where (R_k) is a strictly (and rapidly) increasing sequence of numbers $R_k \geq 10$, and the domains U_j converge uniformly to ∞ as $j \rightarrow \infty$.

The conformal isomorphism $F: T \rightarrow \mathbb{H}$ is uniquely determined by requiring $F(5) = 5$ and $F(\infty) = \infty$. We also define partial tracts

$$T_k := \bigcup_{j=0}^k U_j \cup \bigcup_{j=0}^{k-1} \text{int}(C_j)$$

(observe that T_k is bounded). The associated conformal isomorphisms $F_k: T_k \rightarrow \mathbb{H}$ is determined by requiring $F_k(5) = 5$ and $F_k(\xi_k) = \infty$, where $\xi_k \in C_k$ is defined as part of the construction. In analogy with Observation 10.4, we have the following.

14.3. Observation (Approximation by partial tracts).

Let $k \geq 0$. Suppose that (U_j) has been chosen for $j \leq k$, that C_j has been chosen for $j < k$, and that $\zeta_k \in \partial U_k$ has been chosen with $\text{Re } \zeta_k = R_k$, so that T_k and F_k are defined. Let $R > 0$.

Then there is an arc $\tilde{C}_k \subset \partial U_k$ with $\zeta_k \in \tilde{C}_k$ with the following property. Suppose that the remaining choices of U_j and C_j are made such that $C_k \subset \tilde{C}_k$, and otherwise only subject to the conditions above. Then

$$\text{dist}_{T_k}(F_k^{-1}(x), F_\ell^{-1}(x)) \leq \frac{1}{4}$$

for $k + 1 \leq \ell \leq \infty$ and $4 \leq x \leq R$. (Here we use the convention that $F_\infty = F$.)

Recursive construction. The definition of the domains U_k and arcs C_k is carried out in a similar spirit to those in Sections 10 and 13. As part of the construction, we obtain a homeomorphism

$$\varphi: [4, \infty) \rightarrow [0, 1),$$

where

$$\varphi|_{[R_{k+2}, R_{k+3}]}: [R_{k+2}, R_{k+3}] \rightarrow A_k$$

is defined in the $(k + 2)$ -th step of the construction. φ will satisfy $\varphi(R_k) = \tau_{k-3}$ for all $k \geq 1$. The construction ensures that

$$(14.8) \quad \psi: \bar{T} \rightarrow [0, 1); \quad \psi(z) := \varphi(\text{Re } z)$$

is a pseudo-conjugacy between the systems (\bar{T}, F^{-1}) , with the Euclidean metric, and $([0, 1), g)$, with the metric d_Y defined above, with (γ_k) chosen recursively during the construction.

The γ_k are chosen to be a natural numbers. The metric on B_0 will be chosen to be a linear multiple of the Euclidean metric on each of the intervals $B_{-2} = [0, \tau_{-2}]$, $[\tau_{-2}, \tau_{-1}]$ and $[\tau_{-1}, \tau_0]$, with each interval having integer length. The choice of d_Y on B_k determines a finite set

$$\Xi_k := \{\xi \in B_k: d_Y(0, \xi) \in \mathbb{Z}\} \supset \{0, \tau_{-2}, \dots, \tau_k\}$$

that partitions B_k into intervals of unit d_Y -length.

To anchor the recursion, set

$$R_{-1} := 10, \quad R_0 := 14 \quad \text{and} \quad R_1 := 15.$$

We define $\varphi: [4, R_1] \rightarrow [0, \tau_{-2}]$ to be linear with $\varphi(4) = 0$ and $\varphi(R_1) = \tau_{-2}$, and define the metric d_Y on $[0, \tau_{-2}]$ by

$$(14.9) \quad d_Y(x, y) := 5|\varphi^{-1}(x) - \varphi^{-1}(y)|.$$

We also set $\zeta_0 := R_0$.

Now the inductive step proceeds as follows. Let $k \geq 1$. Assume that the domains U_i are chosen for $i < k$, and the arcs C_i for $i < k - 1$. The point ζ_{k-1} will also have been chosen, so F_{k-1} is defined. Moreover, R_i is defined for $i \leq k$, an order-preserving homeomorphism $\varphi: [4, R_k] \rightarrow [0, \tau_{k-3}]$ has been constructed, and the metric d_Y has been defined on B_{k-3} . A finite set

$$\Omega_i = \{\tau_{i-1} = \omega_i^0 < \omega_i^1 < \dots < \omega_i^{m_i} = \tau_i\}$$

will also have been chosen for $i < k$.

As in (I3.3), each domain U_i (for $1 \leq i < k$) is given by a finite union

$$U_i = \bigcup_{j=1}^{m_i} U_i^j \cup \bigcup_{j=1}^{m_i-1} C_i^j$$

of quadrilaterals U_i^j and arcs C_i^j connecting them, together with arcs $C_i^0 = C_{i-1}$ and $C_i^{m_i} \supset C_i$. To avoid special consideration of special cases in the case of $k = 1, 2$, we also define $m_1 := m_0 := 1$, and set

$$\begin{aligned} U_{-1}^1 &:= \{x + iy: 5 < x < R_{-1}, |y| < \pi/2\}, \\ U_0^1 &:= \{x + iy: R_{-1} < x < R_0, |y| < \pi/2\}, \\ C_{-1}^0 &:= \{5 + iy: |y| \leq \pi/2\}, \quad C_{-1}^1 := C_0^0 := \{R_{-1} + iy: |y| \leq \pi/2\}, \quad \text{and} \\ C_0^1 &:= \{R_0 + iy: |y| \leq \pi/2\}. \end{aligned}$$

It turns out to be convenient to slightly change the order of steps compared with those in Section 10; more precisely, we shall begin the inductive step with the analogue of step I5. To emphasise the similarity with previous sections, we shall retain the same numbering.

I5. For $j = 0, \dots, m_{k-2}$, define

$$(14.10) \quad \eta_{k-2}^j := \min\{x \in [5, \infty): F_{k-1}^{-1}(x) \in C_{k-2}^j\}.$$

We set $R_{k+1} := \eta_{k-2}^{m_{k-2}}$. We now extend φ to $[R_k, R_{k+1}]$ in a piecewise linear manner such that

$$\varphi(\eta_{k-2}^j) = \omega_{k-2}^j$$

for $j = 1, \dots, m_{k-1}$. We shall see in the proof of Theorem 14.1 below that

$$(14.11) \quad \eta_{k-2}^1 > R_k.$$

Hence this does indeed define a homeomorphism $[R_k, R_{k+1}] \rightarrow [\tau_{k-3}, \tau_{k-2}]$.

We now define the metric d_Y on $I := [\tau_{k-3}, \tau_{k-2}]$ to be a constant multiple of the Euclidean metric, subject to the following requirements. Note that $I = A_{k-2}$ for $k \geq 3$.

(14.12) I has integer length;

(14.13) if $\tilde{I} \subset I$ has $\ell_{d_Y}(\tilde{I}) \leq 1$, then $\text{diam}(\varphi^{-1}(\tilde{I})) < 1/4$;

(14.14) if $k \geq 3$, then $\gamma_{k-2} := \ell_Y(I) \geq \Gamma_{k-2}(\gamma_{k-3})$. (Recall that Γ_{k-2} was defined in Observation 14.2, and that $\gamma_0 = \ell_Y(B_0)$ by definition.)

I1. As in (I1.1), we choose m_k and Ω_k such that, for $1 \leq j \leq m_k$, the image $g([\omega_k^{j-1}, \omega_k^j])$ contains at most one element of $\Xi_{k-3} \setminus \{0\}$.

I2. Choose an arc $\tilde{C}_{k-1} \subset C_{k-1}^{m_{k-1}}$ with $\zeta_{k-1} \in \text{int}(\tilde{C}_{k-1})$ by applying Observation 14.3 to T_{k-1} . Here we use $R = R_{k+1}$.

I3. We now define the domain U_k , very similarly to step I3 in Section 10. For $j \in \{1, \dots, m_k\}$, let I_k^j be the smallest closed interval bounded by two points of Ξ_{k-2} whose interior contains $g([\omega_k^{j-1}, \omega_k^j]) \setminus \{0\}$. We also define $\tilde{I}_k^j := \varphi^{-1}(I_k^j)$. (Note that, in contrast to Section 10, there is no need for a different definition when $j = m_k$.)

Requirement (I3.1) remains unchanged from Section 10, as does (I3.4). Condition (I3.2) is replaced by

$$(14.15) \quad C_{k-1} := C_k^0 \subset \tilde{C}_{k-1} \text{ and } C_k^{m_k} \subset \{R_k + iy : |y| \leq \pi\}.$$

Requirements (I3.5) and (I3.6) are slightly changed as follows, for each $1 \leq j \leq m_k$.

$$(14.16) \quad \text{For } k \leq m \leq \infty, \text{ dist}_{T_m}(C_k^{j-1}, C_k^j) \geq 1.$$

$$(14.17) \quad \text{Let } k \leq m \leq \infty, \text{ and suppose that } \alpha \text{ is a geodesic segment of } T_m \text{ that connects } C_k^{j-1} \text{ and } C_k^j. \text{ Then } \text{dist}_T(z, U_k^j) \leq 1/4 \text{ for all } z \in \alpha. \text{ (I.e., } \alpha \text{ cannot protrude too far from the cross-cuts } C_k^{j-1} \text{ and } C_k^j.)$$

(Here we again use the convention that $T_\infty = T$.) Finally, we require the following, to ensure the bounded decorations condition for the tract T .

$$(14.18) \quad \text{All } U_k^j \text{ have bounded decorations (uniformly in } k \text{ and } j). \text{ By this we mean the following: Every point of } U_k^j \text{ can be connected to both arcs of } \partial U_k^j \setminus (C_k^{j-1} \cup C_k^j) \text{ by a curve whose diameter is uniformly bounded (say, by } 2\pi). \text{ (Here we are assuming for simplicity that } U_k^j \text{ is a Jordan domain, which can always be achieved. However, it is straightforward to extend this definition to non-Jordan domains with locally connected boundary.)}$$

We also choose $\zeta_k \in \text{int}(C_k^{m_k})$, completing the description of T_k and F_k .

I4. There is no analogue of step I4, and the inductive construction is complete.

Proof of Theorem 14.1. We first verify that the construction indeed guarantees (14.11). For $k = 1$, this follows from the standard estimate (2.1). So suppose that $k \geq 2$, and let $4 \leq x \leq R_k$. Then $F_{k-2}^{-1}(x) \in T_{k-3}$ by definition of R_k . Furthermore, $\text{dist}_{T_{k-2}}(F_{k-1}^{-1}(x), F_{k-2}^{-1}(x)) \leq 1/4$ by step I2. Hence, by (14.16), $F_{k-1}^{-1}(x) \notin C_{k-2}^1$ for these values of x . In particular, $\eta_{k-2}^1 > R_k$, as required.

Now let T be the tract we have just defined. Then T clearly has bounded slope. The tract also has bounded decorations by Proposition 7.4 and (14.18).

The (autonomous) inverse system generated by (\bar{T}, F^{-1}) is expanding when equipped with the Euclidean metric (using an analogue of Observation 10.5). The system $([0, 1], g)$ with the metric d_Y is expanding by (14.14).

We claim that $\psi: \bar{T} \rightarrow [0, 1]$ is a pseudo-conjugacy between the two systems. To establish the pseudo-conjugacy relation, let $w \in \bar{T}$; we claim that

$$(14.19) \quad \text{dist}_Y(g(\psi(w)), \psi(F^{-1}(w))) \leq \max(4, \gamma_0).$$

Set $\omega := \psi(w)$, $x := \text{Re } w$ and $z := F^{-1}(w)$. Set $k = 0$ if $\omega \in B_0$, and otherwise let k be such that $\omega \in A_k$. Then $x \leq R_{k+3}$, and hence

$$(14.20) \quad \text{dist}_T(F_{k+1}^{-1}(x), F^{-1}(x)) \leq \text{dist}_{T_{k+1}}(F_{k+1}^{-1}(x), F^{-1}(x)) \leq 1/4$$

by I2. Since $F: T \rightarrow \mathbb{H}$ is a conformal isomorphism, also

$$(14.21) \quad \text{dist}_T(z, F^{-1}(x)) \leq \pi/x.$$

First suppose that $k = 0$. Then $g(\psi(w)) \in B_0$ and $x \leq R_3$. Thus $F_1^{-1}(x) \in U_0$ by definition, and $F^{-1}(w) \in T_2$ by (14.20) and (14.21). So $\psi(z) \in B_0$, and (14.19) follows.

Now suppose that $k \geq 1$ and $x > \eta_k^0$, as defined in (14.10). Let $j \in \{1, \dots, m_{k-1}\}$ be such that $\eta_k^{j-1} < x \leq \eta_k^j$. Then $F_{k+1}^{-1}(x)$ belongs to a geodesic segment of T_k connecting C_k^{j-1} and C_k^j , and hence by (14.17),

$$\text{dist}_T(F_{k+1}^{-1}(x), U_k^j) \leq 1/4.$$

Note that $x \geq R_0 \geq 10$, and hence (14.20) and (14.21), together with (14.16), imply that z either belongs to U_k^j , or to one of the quadrilaterals adjacent to U_k^j . Recall that $g(\omega) \in \tilde{I}_k^j$, which has d_Y -length at most 2. It follows that $d_Y(g(\omega), \psi(z)) \leq 3$, as desired.

Finally, suppose that $R_{k+2} \leq x \leq \eta_k^0$. For $5 \leq \zeta \leq \eta_k^0$, we have $F_{k+1}^{-1}(\zeta) \in T_{k-1}$ by definition of η_k^0 . Moreover, $\text{dist}_{T_k}(F_k^{-1}(R_{k+2}), F_{k+1}^{-1}(R_{k+2})) \leq 1/4$ by step I2, and hence $F_{k+1}^{-1}(R_{k+2}) \in U_{k-1}^{m_{k-1}}$.

So if $\rho \in [5, \infty)$ is minimal with $F_{k+1}^{-1}(\rho) \in C_{k-1}^{m_{k-1}-1}$, then $\rho \leq R_{k+2} \leq x$. Thus x belongs to a geodesic of T_{k+1} connecting the two cross-cuts bounding $U_{k-1}^{m_{k-1}}$. By (14.17), we have $\text{dist}_T(x, U_{k-1}^{m_{k-1}}) \leq 1/4$. Arguing as above, we conclude that $d_Y(g(\omega), \psi(z)) \leq 4$, and the proof of (14.19) is complete.

Surjectivity of ψ is obvious, and the remaining two conditions follow as in Proposition 10.7. So the two inverse limits are homeomorphic, and the homeomorphism extends to their one-point compactifications, \hat{C} and \hat{Y} , with ∞ corresponding to y_1 . Moreover, by Observation 4.7, the unique fixed point of F in C must correspond to y_0 . This completes the proof. \blacksquare

Proof of Theorem 2.7. The fact that every invariant Julia continuum of a function with bounded-slope tracts is of the required form was already established in Theorem 7.7. Conversely, by Theorem 3.5, we can realise the invariant Julia continuum from Theorem 14.1 by a disjoint-type entire function of bounded slope. \blacksquare

Proof of Theorem 1.5. By a classical result of Henderson [Hen64], the pseudo-arc can be written as an inverse limit of a single function $f: [0, 1] \rightarrow [0, 1]$ with $f(x) < x$ for all $x \in (0, 1)$. By Theorem 14.1, there is a disjoint-type function $F \in \mathcal{B}_{\log}^p$, having only one tract T , such that the invariant Julia continuum in T is a pseudo-arc. Furthermore, this tract has bounded slope and bounded decorations, and hence Corollary 8.7 implies that every Julia continuum is a pseudo-arc.

Finally, by Theorem 3.5, there is a disjoint-type function $f \in \mathcal{B}$ with the same property. \blacksquare

15. MAKING EXAMPLES WITH A FINITE NUMBER OF TRACTS AND SINGULAR VALUES

We now turn to Theorem 2.11. So far, we have shown that each of the examples in question can be constructed in the class \mathcal{B} , with the desired number of tracts (one or two). With the exception of Theorem 1.5, in which we require control over *all* Julia

continua, Theorem 3.5 also shows that they can be constructed in the class \mathcal{S} , but with a potentially infinite number of tracts.

In order to show that we can also realise our examples in the class \mathcal{S} , without having to add additional tracts, we need to use Bishop’s results from [Bis15a], rather than those from [Bis17]. Let G be an infinite locally bounded tree in the plane. Following Bishop, we say that G has *bounded geometry* if the following hold.

- (i) The edges of G are C^2 , with uniform bounds.
- (ii) The angles between adjacent edges are bounded uniformly away from zero.
- (iii) Adjacent edges have uniformly comparable lengths.
- (iv) For non-adjacent edges e and f , we have $\text{diam}(e) \leq C \cdot \text{dist}(e, f)$ for some constant C depending only on G .

Bishop’s theorem [Bis15a, Theorem 1.1] is as follows:

15.1. Theorem (Construction of entire functions with two singular values).

Suppose that G has bounded geometry. Suppose furthermore that $\tau: \mathbb{C} \setminus G \rightarrow \mathbb{H}$ is holomorphic with the following properties.

- (1) *For every component Ω_j of $\mathbb{C} \setminus G$, $\tau: \Omega_j \rightarrow \mathbb{H}$ is a conformal isomorphism whose inverse σ_j extends continuously to the closure of \mathbb{H} with $\sigma_j(\infty) = \infty$.*
- (2) *For every (open) edge $e \in G$, and each j , every component of $\sigma_j^{-1}(e) \subset \partial\mathbb{H}$ has length at least π .*

Then there is an entire function $f \in \mathcal{S}$ and a K -quasiconformal map φ such that $f \circ \varphi = \cosh \circ \tau$ on the complement of the set

$$G(r_0) := \bigcup_{e \in G} \{z \in \mathbb{C} : \text{dist}(z, e) < r_0 \text{diam}(e)\}.$$

(Here r_0 is a universal constant, and the union is over all edges of G .)

The only critical points of f are ± 1 and f has no asymptotic values. If d is such that G has no vertices of valence greater than d , then f has no critical points of degree greater than $4d$.

15.2. Remark (Smaller bounds on the degree).

This is the theorem as stated in [Bis17, Theorem 3.1]. All trees considered in this section will have maximal degree at most 4, leading to a bound of 16 on the degree of critical points. As discussed in [Bis17], the bound of $4d$ can be reduced to $\max(4, d)$ by modifying the construction in [Bis17], and replacing τ by an integer multiple. This leads to a bound of 4 on the critical points of our functions, as remarked in Section 2.

In order to use this result to obtain the desired examples, there are two steps that we need to take.

- We will modify the construction of the domains \mathcal{T} of our functions, to obtain a union $\tilde{\mathcal{T}}$ of “tracts” such that $\mathbb{C} \setminus \exp(\tilde{\mathcal{T}})$ is a bounded-geometry tree.

Along with these tracts, we construct $\tilde{F}: \tilde{\mathcal{T}} \rightarrow \mathbb{H}$, conformal on each component of $\tilde{\mathcal{T}}$, such that the map $\tau(\exp(z)) := \tilde{F}(z)$ satisfies the hypotheses of Theorem 15.1.

When we consider the restriction F of \tilde{F} to the preimage of a suitable right half-plane, we will obtain a disjoint-type function in \mathcal{B}_{\log}^p , still having the desired properties of the original construction.

Observe that $\overline{\mathcal{T}}$ will need to fill out the entire plane, which means that we have to ensure that the individual tracts each fill out a complete horizontal strip of height 2π .

- Once this is achieved, let f_0 be the function from Theorem 15.1, and set $f := \lambda f_0$, where λ is chosen sufficiently small to ensure that f is of disjoint type. The functions f and $g := \cosh \circ \tau$ are no longer necessarily “quasiconformally equivalent” near infinity in the sense of [Rem09], and hence we cannot conclude that they are quasiconformally equivalent near their Julia sets. However, if the set $G(r_0)$ is disjoint from the orbit of the Julia continuum \hat{C} of g under consideration, then the arguments from [Rem09] still apply to show that there is a corresponding Julia continuum of f homeomorphic to \hat{C} .

Indeed, if we lift φ to a map Φ in logarithmic coordinates, then Φ does not move a point ζ by more than a bounded hyperbolic distance, provided $\operatorname{Re} \zeta$ is sufficiently large. If F_0 is a logarithmic transform of f and $F_0 \circ \Phi = \tilde{F}$ on the orbit of a Julia continuum of \tilde{F} (which is guaranteed when the above condition on $G(r_0)$ is satisfied), then we easily obtain a homeomorphism between this continuum and a corresponding one for F_0 , using the conjugacy principle from Section 4. Compare [Rem09, Lemma 2.6].

We remark that the set $G(r_0)$ can in fact be replaced by a smaller set $V_{\mathcal{T}}$ (compare [Bis15a, Lemma 1.2]), and under the right conditions this set will be automatically disjoint from the *bounded-address* continua that we construct in Theorems 2.5 and 2.7. However, some care is still required in the case of Theorem 1.3.

We shall now discuss in some more detail how to ensure these properties in the case of Theorem 10.1 and Proposition 10.2. The techniques and estimates are very similar to those used in Bishop’s examples. Hence we shall focus on the ideas rather than give precise estimates.

15.3. Proposition.

Let the assumptions of Theorem 10.1 and Proposition 10.2 be satisfied, with the additional requirement that $M_k \geq P$ for all k , where $P \geq 10$ is a certain universal constant.

Then there is a simply-connected domain $\tilde{T} \subset \{a + ib : |b| \leq \pi\}$ and a conformal isomorphism $\tilde{F} : \tilde{T} \rightarrow \mathbb{H}$ with the following properties.

- The domain $T := \{\tilde{F}^{-1}(z) - 1 : \operatorname{Re} z > 1\}$ and the map $F : T \rightarrow \mathbb{H}; F(z) = \tilde{F}(z + 1) - 1$ satisfy the conclusions of Theorem 10.1 and Proposition 10.2.*
- $G := \mathbb{C} \setminus \exp(\tilde{T})$ (with suitable vertices added) is a bounded-geometry tree, and the function τ defined by $\tau(\exp(z)) := \tilde{F}(z)$ satisfies the hypotheses of Theorem 15.1.*
- The hyperbolic distance (in T) between the orbit of the constructed Julia continuum and the set $\exp^{-1}(G(r_0))$ is bounded from below.*

Sketch of proof. We slightly modify the construction of the tract T from the proof of Theorem 10.1 as shown in Figure 10. That is, the tract now also contains the half-strip

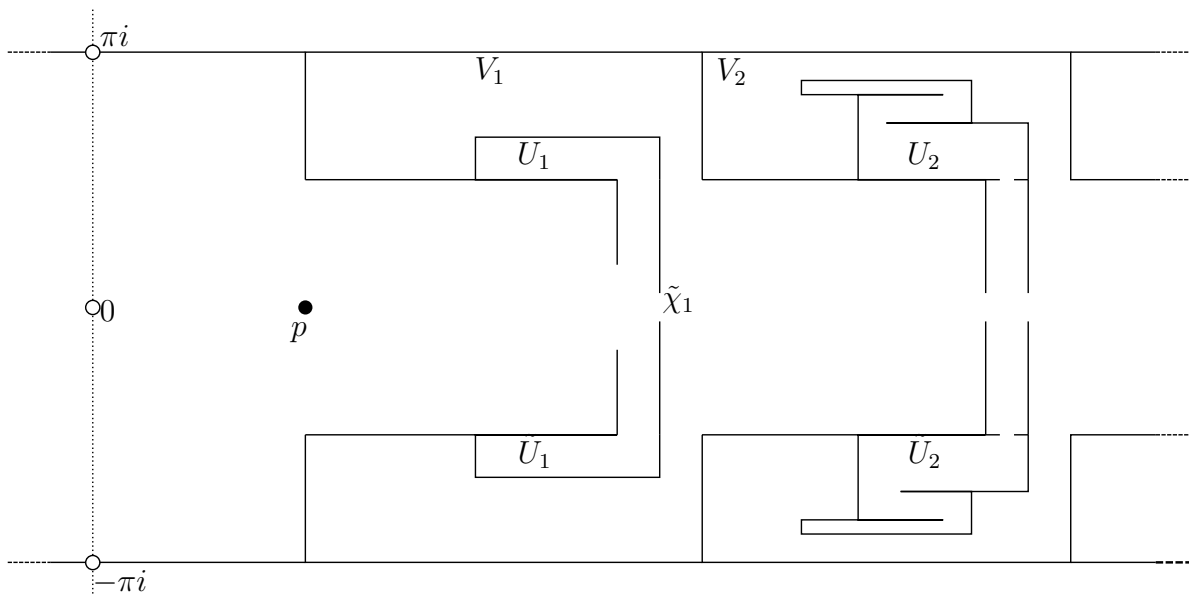


FIGURE 10. A modification \tilde{T} of the tract T from Figure 4, which allows the function from Theorem 1.3 to be constructed in the class \mathcal{S} , without additional tracts.

$\{\operatorname{Re} z < 0, |\operatorname{Im} z| < \pi\}$, and furthermore additional “chambers” V_k are added around the domains U_k , attached between real parts $R_k + 1$ and $R_k + 2$. This is done to ensure that \tilde{T} is dense in the strip $\{|\operatorname{Im} z| < \pi\}$ and the complement of $\exp(\tilde{T})$ is an infinite tree in the plane. We also add a second additional “iris” at real part $R_k + 1$, closing the tract up to a small opening size $\tilde{\chi}_k$.

The function \tilde{F} is chosen such that $\tilde{F}(p) = p$ and $\tilde{F}'(p) > 0$, where p is a sufficiently large universal constant, and $P \geq p + 4$. If p is sufficiently large, this ensures that $T \subset \{z \in \mathbb{H} : \operatorname{Re} z > 4\}$, and in particular the function F defined in (a) is of disjoint type. We can now carry out the construction precisely as in Section 10, so that (a) holds. Clearly we can ensure that all edges are straight lines, and that they only meet at angles that are multiples of $\pi/2$.

We next discuss how to subdivide the edges in such a way as to obtain a bounded-geometry tree. As the exponential map is conformal, we can carry out this discussion in logarithmic coordinates, i.e. for the boundary of \tilde{T} . Everything will be carried out in a manner symmetric to the real axis, so that edges on the horizontal lines at imaginary parts $\pm\pi$ are compatible when mapped by the exponential map.

The upper and lower boundaries of the part of \tilde{T} in the left half-plane will be taken to be edges themselves (they map to the single edge $[-1, 0]$ after projection by the exponential map). Along the horizontal edges of the central strip and the upper and lower boundaries of the tract, we use edges whose length is uniformly bounded from below and above. Where there is an iris that closes off a gap up to a small opening (at the real parts R_k , the arcs C_k , and the arcs C_k^j constructed when defining U_k), we can use edges whose length decreases geometrically, so that the edges adjacent to an opening are comparable in length to the size of the opening. For example, for the irises at real part

R_k , the edges adjacent to the boundary of the central strip have length bounded from below, while the two edges adjacent to the gap have length comparable to χ_k . (More precisely, in order to be able to ensure (c) in the following, these edges should be shorter than, but still comparable to, $\chi_k/(4r_0)$.)

Recall that, when constructing the domain U_k , we may choose the domains U_k^j as rectangles, sitting on top of each other with $U_k^{m_k}$ adjacent to the central strip, and U_k^1 closest to the upper boundary. The width of these rectangles can be chosen to be bounded from below. We may also choose the height of $U_k^{m_k}$ to be bounded from below, while the height of U_k^j decrease geometrically as j changes from m_k to 1. This ensures that the total height is bounded. Furthermore, the length of edges used in ∂U_k^j decrease geometrically of j , and edges are only ever adjacent to edges that are comparable in size. We also make sure that the size of the gap between the upper boundary of \tilde{T} and the final domain U_k^1 is bounded from below; this is done to ensure that condition (iv) from the definition of bounded-geometry trees is satisfied.

Hence we have shown that $\mathbb{C} \setminus \exp(\tilde{T})$ can be given the structure of a bounded-geometry tree. The map τ in Theorem 15.1 is given precisely by the map $z \mapsto \tilde{F}(\text{Log } z)$. We shall now show that condition (2) in Theorem 15.1 can be satisfied. It is easy to check that this is true for all edges on the boundary of the central strip, provided that p was chosen large enough. Furthermore, it follows for the vertical edges leading to an iris in the main part of the tract, using simple estimates on harmonic measure.

Thus we need to ensure that each edge in the domains U_j and V_j is mapped to a sufficiently large interval under \tilde{F} . This is easily ensured during the construction: observe that the subdivision into edges is independent of the choice of χ_k , and as χ_k becomes small, the length of the image of each edge becomes large. (This is the same argument as in step I4 of the inductive construction in Section 10, considering the harmonic measure of the edge as viewed from $R_k + 1$.) Hence we can ensure (2) by choosing χ_k sufficiently small.

It remains to address (c). Let $\hat{C} = C \cup \{\infty\}$ be the constructed Julia continuum. Then $F^n(C)$ lies within a bounded hyperbolic distance (in T resp. $T + 2\pi is(k)$) of

- the geodesic $[p, \infty)$ when $n \neq n_k, n_k - 1$,
- the geodesic $[p, \infty) + 2\pi is(k)$ when $n = n_k$, and
- the geodesic $F^{-1}([M_k, \infty) + 2\pi is(k))$ when $n = n_k - 1$.

Hence, by construction, (c) holds automatically for $F^n(C)$ when $n \neq n_k - 1$ (provided the initial lengths of edges were chosen sufficiently small). Furthermore, it is not difficult to see that the geodesic in the remaining case stays away sufficiently far from the boundary to ensure that (c) holds, except possibly for the part of $F^{n_k-1}(C)$ contained in the domain U_k^1 .

To address the situation in U_k^1 , we need to modify the construction. Indeed, as $\chi_k \rightarrow 0$, the point $F^{-1}(M_k + 2\pi is(k))$ will tend closer and closer to the boundary of \tilde{T} . However, once χ_k has been fixed in the construction, we can modify the subdivision of the edges within U_k to ensure that the image of the edge containing $F^{-1}(2\pi is(k))$ has bounded length (and retaining the property that each edge has τ -length at least π). This easily ensures that the desired property also holds for the final part of the geodesic, assuming again that p , and hence M_k , was chosen large enough. ■

As the construction for Theorem 10.1 is used to construct the examples in Theorems 1.6, 1.3, 2.3 and 2.10, all of these can be constructed in class \mathcal{S} with a single tract, two critical values, no finite asymptotic values, and no critical points of degree greater than 16 (resp. 4 after taking account of the modifications in Remark 15.2).

The construction for Theorem 2.5 is similar, modifying the proof in Section 13. Here we should choose a partition of the boundary of the strip S into edges first, such that these edges have length at least π when mapped forward under the conformal map F_S , and R_k^- is chosen sufficiently large so that the boundary of the domain U_k can be subdivided in such a way to ensure bounded geometry. This is clearly possible because the set Ω_k , and hence the number of rectangles in U_k , is known before the value R_k^- is chosen. We should also make sure that the domain U_k fills out the piece of the strip between real parts R_k^- and R_k^+ (unlike in Figure 7), and, after U_k is chosen, reduce the size of the cross-cut C_k^- in order to ensure τ -length at least π for each of the edges.

Now we turn to Theorem 2.7, as established in Section 14. The construction here is a little more delicate, because the domain U_k , for large k , can potentially reach very far back to the left. More precisely, for fixed k , there may be some large values of \tilde{k} such that $g(A_{\tilde{k}})$ contains points of A_k . If the set $\Omega_{\tilde{k}}$ (which is not known at the time that R_{k-3} is chosen) is very large, then potentially there may be many pieces intersecting the line $\{\operatorname{Re} z = R_{k-3}\}$, and hence it may be difficult to control the size of the corresponding edges of the tree here.

To resolve this problem, we observe that — similarly to Proposition 9.3 — we may assume that the function f is piecewise linear on the interval $[0, 1)$, with countably many points of nonlinearity, which accumulate only at 1, and everywhere locally non-constant. This means that we can choose the domain U_k to consist (essentially, and apart from a number of “irises” opening at the arcs C_k^j) of finitely many rectangles, one for each interval of monotonicity of g in the interval $[\vartheta_{k+1}, \vartheta_{k+2}]$. This means that the shape of the tract depends only on the function g ; only the way that the tract is stretched along the real axis depends on the inductive construction. This observation allows us to carry out the desired construction. Again, once the piece U_k is chosen, we should shrink the opening size of the cross-cut C_{k-1} so that edges have τ -length at least π . This also allows us to ensure that the sequence (R_k) grows sufficiently rapidly.

It remains to consider Theorem 1.5. The preceding discussion leads to a disjoint-type entire function of the desired form (having one tract, two critical values, no asymptotic values, and no critical points of multiplicity five or greater) having a pseudo-arc Julia continuum. It is easy to see that the entire function obtained in the preceding discussion still satisfies the bounded decorations condition. Hence, once again, by Corollary 8.7 all Julia continua are pseudo-arcs, as desired.

REFERENCES

- [And61] James J. Andrews, *A chainable continuum no two of whose nondegenerate subcontinua are homeomorphic*, Proc. Amer. Math. Soc. **12** (1961), 333–334.
- [AO93] Jan M. Aarts and Lex G. Oversteegen, *The geometry of Julia sets*, Trans. Amer. Math. Soc. **338** (1993), no. 2, 897–918.
- [ARS18] Mashaël Alhamd, Lasse Rempe-Gillen, and Dave Sixsmith, *Dynamical properties of geometrically finite maps*, Manuscript, 2018.

- [Bar07] Krzysztof Barański, *Trees and hairs for some hyperbolic entire maps of finite order*, Math. Z. **257** (2007), no. 1, 33–59.
- [BBS12] Marcy Barge, Henk Bruin, and Sonja Štimac, *The Ingram conjecture*, Geom. Topol. **16** (2012), no. 4, 2481–2516.
- [Ber93] Walter Bergweiler, *Iteration of meromorphic functions*, Bull. Amer. Math. Soc. (N.S.) **29** (1993), no. 2, 151–188.
- [BFR14] Walter Bergweiler, Núria Fagella, and Lasse Rempe-Gillen, *Hyperbolic entire functions with bounded Fatou components*, arXiv:1404.0925, to appear in Comm. Math. Helv., April 2014.
- [Bin51a] R. H. Bing, *Concerning hereditarily indecomposable continua*, Pacific J. Math. **1** (1951), 43–51.
- [Bin51b] ———, *Snake-like continua*, Duke Math. J. **18** (1951), 653–663.
- [Bis15a] Christopher J. Bishop, *Constructing entire functions by quasiconformal folding*, Acta Math. **214** (2015), no. 1, 1–60.
- [Bis15b] ———, *Models for the Eremenko-Lyubich class*, J. Lond. Math. Soc. (2) **92** (2015), no. 1, 202–221.
- [Bis17] ———, *Models for the Speiser class*, Proc. London Math. Soc. **114** (2017), no. 5, 765–797.
- [BK07] Krzysztof Barański and Bogusława Karpińska, *Coding trees and boundaries of attracting basins for some entire maps*, Nonlinearity **20** (2007), no. 2, 391–415.
- [BM07] A. F. Beardon and D. Minda, *The hyperbolic metric and geometric function theory*, Quasiconformal mappings and their applications, Narosa, New Delhi, 2007, pp. 9–56. MR 2492498 (2011c:30108)
- [BR86] Lipman Bers and Halsey L. Royden, *Holomorphic families of injections*, Acta Math. **157** (1986), no. 3-4, 259–286.
- [BR17] Anna Miriam Benini and Lasse Rempe-Gillen, *A landing theorem for entire functions with bounded post-singular sets*, Preprint, 2017, arXiv:1711.10780.
- [Che17] Davoud Cheraghi, *Topology of irrational indifferent attractors*, Preprint, 2017, arXiv:1706.02678.
- [CM87] J. J. Charatonik and T. Maćkowiak, *Continua with a dense set of end points*, Rocky Mountain J. Math. **17** (1987), no. 2, 385–391.
- [DG87] Robert L. Devaney and Lisa R. Goldberg, *Uniformization of attracting basins for exponential maps*, Duke Math. J. **55** (1987), no. 2, 253–266.
- [DK84] Robert L. Devaney and Michał Krych, *Dynamics of $\exp(z)$* , Ergodic Theory Dynam. Systems **4** (1984), no. 1, 35–52.
- [DL18] Dzmityr Dudko and Mikhail Lyubich, *Local connectivity of the Mandelbrot set at some satellite parameters of bounded type*, Preprint, 2018, arXiv:1808.10425.
- [DT86] Robert L. Devaney and Folkert Tangerman, *Dynamics of entire functions near the essential singularity*, Ergodic Theory Dynam. Systems **6** (1986), no. 4, 489–503.
- [EL92] Alexandre È. Eremenko and Mikhail Yu. Lyubich, *Dynamical properties of some classes of entire functions*, Ann. Inst. Fourier (Grenoble) **42** (1992), no. 4, 989–1020.
- [Ere89] Alexandre È. Eremenko, *On the iteration of entire functions*, Dynamical systems and ergodic theory (Warsaw, 1986), Banach Center Publ., vol. 23, PWN, Warsaw, 1989, pp. 339–345.
- [Fal90] Kenneth Falconer, *Fractal geometry*, John Wiley & Sons Ltd., Chichester, 1990, Mathematical foundations and applications.
- [Fat26] Pierre Fatou, *Sur l'itération des fonctions transcendentes entières*, Acta Math. **47** (1926), 337–370.
- [For99] Otto Forster, *Lectures on Riemann surfaces*, Springer, 1999.
- [Fug66] J. B. Fugate, *Decomposable chainable continua*, Trans. Amer. Math. Soc. **123** (1966), no. 2, 460–468.
- [Hen64] George W. Henderson, *The pseudo-arc as an inverse limit with one binding map*, Duke Mathematical Journal **31** (1964), no. 3, 421–425.
- [HO16] Logan C. Hoehn and Lex G. Oversteegen, *A complete classification of homogeneous plane continua*, Acta Math. **216** (2016), no. 2, 177–216.

- [Hoe11] L. C. Hoehn, *A non-chainable plane continuum with span zero*, *Fund. Math.* **211** (2011), no. 2, 149–174.
- [IM12] W. T. Ingram and William S. Mahavier, *Inverse limits*, *Developments in Mathematics*, vol. 25, Springer, New York, 2012, From continua to chaos.
- [KH95] Anatole Katok and Boris Hasselblatt, *Introduction to the modern theory of dynamical systems*, *Encyclopedia of Mathematics and its Applications*, vol. 54, Cambridge University Press, Cambridge, 1995, With a supplementary chapter by Katok and Leonardo Mendoza.
- [Lel64] A. Lelek, *Disjoint mappings and the span of spaces*, *Fund. Math.* **55** (1964), 199–214.
- [Lel71] ———, *Some problems concerning curves*, *Colloq. Math.* **23** (1971), 93–98, 176.
- [Lew99] Wayne Lewis, *The pseudo-arc*, *Bol. Soc. Mat. Mexicana* (3) **5** (1999), no. 1, 25–77. MR 1692467 (2000f:54029)
- [Mih12] Helena Mihaljević-Brandt, *Semiconjugacies, pinched Cantor bouquets and hyperbolic orbifolds*, *Trans. Amer. Math. Soc.* **364** (2012), no. 8, 4053–4083.
- [Mil50] Harlan C. Miller, *On unicoherent continua*, *Trans. Amer. Math. Soc.* **69** (1950), 179–194.
- [Nad92] Sam B. Nadler, Jr., *Continuum theory. An introduction*, *Monographs and Textbooks in Pure and Applied Mathematics*, vol. 158, Marcel Dekker Inc., New York, 1992.
- [Pfr19] David Pfrang, *Homotopy Hubbard trees for post-singularly finite transcendental entire functions*, Ph.D. thesis, Jacobs University, 2019.
- [Pom92] Christian Pommerenke, *Boundary behaviour of conformal maps*, *Grundlehren der Mathematischen Wissenschaften*, vol. 299, Springer-Verlag, Berlin, 1992.
- [Rem07] Lasse Rempe, *On a question of Eremenko concerning escaping sets of entire functions*, *Bull. London Math. Soc.* **39** (2007), no. 4, 661–666.
- [Rem09] Lasse Rempe, *Rigidity of escaping dynamics for transcendental entire functions*, *Acta Math.* **203** (2009), no. 2, 235–267.
- [Rem13] Lasse Rempe-Gillen, *Hyperbolic entire functions with full hyperbolic dimension and approximation by Eremenko-Lyubich functions*, *Proc. London Math. Soc.* **108** (2013), no. 5, 11931225.
- [Roe08] P. Roesch, *On local connectivity for the Julia set of rational maps: Newton’s famous example*, *Ann. of Math. (2)* **168** (2008), no. 1, 127–174.
- [Rog70] J. W. Rogers, Jr., *Decomposable inverse limits with a single bonding map on $[0, 1]$ below the identity*, *Fund. Math.* **66** (1969/1970), 177–183.
- [RRRS11] Günter Rottenfußer, Johannes Rückert, Lasse Rempe, and Dierk Schleicher, *Dynamic rays of bounded-type entire functions*, *Ann. of Math. (2)* **173** (2011), no. 1, 77–125.
- [RS05] Philip J. Rippon and Gwyneth M. Stallard, *On questions of Fatou and Eremenko*, *Proc. Amer. Math. Soc.* **133** (2005), no. 4, 1119–1126.
- [Shi09] Mitsuhiro Shishikura, *Local invariant sets of irrational indifferent fixed points of high type*, *Minicourse at the Workshop on Cantor bouquets in hedgehogs and transcendental iteration*, Toulouse, 2009.
- [Shi15] ———, *Rempe model and Denjoy odometer for hedgehogs of complex quadratic polynomials*, *Lecture at the School and Conference on Dynamical Systems*, Trieste, 2015.

DEPT. OF MATHEMATICAL SCIENCES, UNIVERSITY OF LIVERPOOL, LIVERPOOL L69 7ZL, UK,
 ORCID: 0000-0001-8032-8580

E-mail address: l.rempe@liverpool.ac.uk