

Volume-preserving mean curvature flow for tubes in rank one symmetric spaces of non-compact type

Naoyuki Koike

Abstract

First we investigate the evolutions of the radius function and its gradient along the volume-preserving mean curvature flow starting from a tube (of non-constant radius) over a compact closed domain of a reflective submanifold in a symmetric space under certain condition for the radius function. Next, we prove that the tubeness is preserved along the flow in the case where the ambient space is a rank one symmetric space of non-compact type, the reflective submanifold is an invariant submanifold and the radius function of the initial tube is radial. Furthermore, in this case, we prove that the flow reaches to the invariant submanifold or it exists in infinite time and converges to another tube of constant mean curvature in the C^∞ -topology in infinite time.

1 Introduction

Let f_t 's ($t \in [0, T)$) be a one-parameter C^∞ -family of immersions of an n -dimensional compact manifold M into an $(n+1)$ -dimensional Riemannian manifold \overline{M} , where T is a positive constant or $T = \infty$. Define a map $\tilde{f} : M \times [0, T) \rightarrow \overline{M}$ by $\tilde{f}(x, t) = f_t(x)$ ($(x, t) \in M \times [0, T)$). Denote by π_M the natural projection of $M \times [0, T)$ onto M . For a vector bundle E over M , denote by π_M^*E the induced bundle of E by π_M . Also, denote by H_t, g_t and N_t the mean curvature, the induced metric and the outward unit normal vector of f_t , respectively. Define the function H over $M \times [0, T)$ by $H_{(x,t)} := (H_t)_x$ ($(x, t) \in M \times [0, T)$), the section g of $\pi_M^*(T^{(0,2)}M)$ by $g_{(x,t)} := (g_t)_x$ ($(x, t) \in M \times [0, T)$) and the section N of $\tilde{f}^*(T\overline{M})$ by $N_{(x,t)} := (N_t)_x$ ($(x, t) \in M \times [0, T)$), where $T^{(0,2)}M$ is the tensor bundle of degree $(0, 2)$ of M and $T\overline{M}$ is the tangent bundle of \overline{M} . The average mean curvature $\overline{H} : [0, T) \rightarrow \mathbb{R}$ is

defined by

$$(1.1) \quad \overline{H}_t := \frac{\int_M H_t dv_{g_t}}{\int_M dv_{g_t}},$$

where dv_{g_t} is the volume element of g_t . The flow f_t 's ($t \in [0, T)$) is called a *volume-preserving mean curvature flow* if it satisfies

$$(1.2) \quad \tilde{f}_* \left(\frac{\partial}{\partial t} \right) = (\overline{H} - H)N.$$

In particular, if f_t 's are embeddings, then we call $M_t := f_t(M)$'s ($0 \in [0, T)$) rather than f_t 's ($0 \in [0, T)$) a volume-preserving mean curvature flow. Note that, if M has no boundary and if f is an embedding, then, along this flow, the volume of (M, g_t) decreases but the volume of the domain D_t surrounded by $f_t(M)$ is preserved invariantly.

First we shall recall the result by M. Athanassenas ([A1,2]). Let P_i ($i = 1, 2$) be affine hyperplanes in the $(n + 1)$ -dimensional Euclidean space \mathbb{R}^{n+1} meeting a affine line l orthogonally and E a closed domain of \mathbb{R}^{n+1} with $\partial E = P_1 \cup P_2$. Also, let M be a hypersurface of revolution in \mathbb{R}^{n+1} such that $M \subset E$, $\partial M \subset P_1 \cup P_2$ and that M meets P_1 and P_2 orthogonally. Let D be the closed domain surrounded by P_1, P_2 and M , and d the distance between P_1 and P_2 . She ([A1,2]) proved the following fact.

Fact 1. *Let M_t ($t \in [0, T)$) be the volume-preserving mean curvature flow starting from M such that M_t meets P_1 and P_2 orthogonally for all $t \in [0, T)$. Then the following statements (i) and (ii) hold:*

- (i) M_t ($t \in [0, T)$) remain to be hypersurfaces of revolution.
- (ii) If $\text{Vol}(M) \leq \frac{\text{Vol}(D)}{d}$ holds, then $T = \infty$ and as $t \rightarrow \infty$, the flow M_t converges to the cylinder C such that the volume of the closed domain surrounded by P_1, P_2 and C is equal to $\text{Vol}(D)$.

E. Cabezas-Rivas and V. Miquel ([CM1,2,3]) proved the similar result in certain kinds of rotationally symmetric spaces. Let \overline{M} be an $(n + 1)$ -dimensional rotationally symmetric space (i.e., $SO(n)$ acts on \overline{M} isometrically and its fixed point set is a one-dimensional submanifold). Note that real space forms are rotationally symmetric spaces. Denote by l the fixed point set of the action, which is an one-dimensional totally geodesic submanifold in \overline{M} . Let P_i ($i = 1, 2$) be totally geodesic hypersurfaces (or equidistant hypersurfaces) in \overline{M} meeting l orthogonally and E a closed domain of \overline{M} with $\partial E = P_1 \cup P_2$, where we note that they treat the case where P_i ($i = 1, 2$) are totally geodesic hypersurfaces (resp. equidistant hypersurfaces) in [CM1,2] (resp. [CM3]). An embedded hypersurface M in \overline{M} is called a *hypersurface of revolution*

if it is invariant with respect to the $SO(n)$ -action. Let M be a hypersurface of revolution in \overline{M} such that $M \subset E$, $\partial M \subset P_1 \cup P_2$ and that M meets P_1 and P_2 orthogonally. Let D be the closed domain surrounded by P_1, P_2 and M , and d the distance between P_1 and P_2 . They ([CM1,2,3]) proved the following fact.

Fact 2. *Assume that $\text{Sec}(v, w) < 0$ for any $v \in Tl$ and $w \in T^\perp l$ and that $\text{Sec}(w_1, w_2) \leq 0$ for any $w_1, w_2 \in T^\perp l$, where $\text{Sec}(\cdot, \bullet)$ denotes the sectional curvature of the 2-plane spanned by \cdot and \bullet . Let M_t ($t \in [0, T)$) be the volume-preserving mean curvature flow starting from M such that M_t meets P_1 and P_2 orthogonally for all $t \in [0, T)$. Then the following statements (i) and (ii) hold:*

(i) M_t ($t \in [0, T)$) remain to be hypersurfaces of revolution.

(ii) If $\text{Vol}(M) \leq C$ holds, where C is a constant depending on $\text{Vol}(D)$ and d , then $T = \infty$ and, as $t \rightarrow \infty$, the flow M_t ($t \in [0, T)$) converges to a hypersurface of revolution C of constant mean curvature such that the volume of the closed domain surrounded by P_1, P_2 and C is equal to $\text{Vol}(D)$.

A *symmetric space of compact type* (resp. *non-compact type*) is a naturally reductive Riemannian homogeneous space \overline{M} such that, for each point p of \overline{M} , there exists an isometry of \overline{M} having p as an isolated fixed point and that the isometry group of \overline{M} is a semi-simple Lie group each of whose irreducible factors is compact (resp. not compact) (see [He]). Note that symmetric spaces of compact type other than a sphere and symmetric spaces of non-compact type other than a (real) hyperbolic space are not rotationally symmetric. An *equifocal submanifold* in a (general) symmetric space is a compact submanifold (without boundary) satisfying the following conditions:

(E-i) the normal holonomy group of M is trivial,

(E-ii) M has a flat section, that is, for each $x \in M$, $\Sigma_x := \exp^\perp(T_x^\perp M)$ is totally geodesic and the induced metric on Σ_x is flat, where $T_x^\perp M$ is the normal space of M at x and \exp^\perp is the normal exponential map of M .

(E-iii) for each parallel normal vector field v of M , the focal radii of M along the normal geodesic γ_{v_x} (with $\gamma'_{v_x}(0) = v_x$) are independent of the choice of $x \in M$, where $\gamma'_{v_x}(0)$ is the velocity vector of γ_{v_x} at 0.

In [Ko2], we showed that the mean curvature flow starting from an equifocal submanifold in a symmetric space of compact type collapses to one of its focal submanifolds in finite time. In [Ko3], we showed that the mean curvature flow starting from a certain kind of (not necessarily compact) submanifold satisfying the above conditions (E-i), (E-ii) and (E-iii) in a symmetric space of non-compact type collapses to one of its focal submanifolds in finite time. The following question arise naturally:

Question. In what case, does the volume-preserving mean curvature flow starting from a submanifold in a symmetric space of compact type (or non-compact type) converges to a submanifold satisfying the above conditions (E-i), (E-ii) and (E-iii)?

Let M be an equifocal hypersurface in a rank $l(\geq 2)$ symmetric space \overline{M} of compact type or non-compact type. Then it admits a reflective focal submanifold F and it is a tube (of constant radius) over F , where the “reflectivity” means that the submanifold is a connected component of the fixed point set of an involutive isometry of \overline{M} and a “tube of constant radius $r(> 0)$ over F ” means the image of $t_r(F) := \{\xi \in T^\perp F \mid \|\xi\| = r\}$ by the normal exponential map \exp^\perp of F under the assumption that the restriction $\exp^\perp|_{t_r(F)}$ of \exp^\perp to $t_r(F)$ is an embedding, where $T^\perp F$ is the normal bundle of F and $\|\cdot\|$ is the norm of (\cdot) . See [L1,2] about the classification of reflective submanifolds in symmetric spaces. Any reflective submanifold in a symmetric space \overline{M} of compact type or non-compact type is a singular orbit of a Hermann action (i.e., the action of the symmetric subgroup of the isometry group of \overline{M}) (see [KT]). Note that even if T. Kimura and M. Tanaka ([KT]) proved this fact in compact type case, the proof is valid in non-compact type case. From this fact, it is shown that M is curvature-adapted, where “the curvature-adaptedness” means that, for any point $x \in M$ and any normal vector ξ of M at x , $R(\cdot, \xi)\xi$ preserves the tangent space $T_x M$ of M at x invariantly, and that the restriction $R(\cdot, \xi)\xi|_{T_x M}$ of $R(\cdot, \xi)\xi$ to $T_x M$ and the shape operator A_ξ commute to each other (R : the curvature tensor of \overline{M}). The notion of the curvature-adaptedness was introduced in [BV]. For a non-constant positive-valued function r over F , the image of $t_r(F) := \{\xi \in T^\perp F \mid \|\xi\| = r(\pi(\xi))\}$ by \exp^\perp is called the *tube of non-constant radius r over F* in the case where the restriction $\exp^\perp|_{t_r(F)}$ of \exp^\perp to $t_r(F)$ is an embedding, where π is the bundle projection of $T^\perp F$. Note that $\exp^\perp|_{t_r(F)}$ is an embedding for a non-constant positive-valued function r over F such that $\max r$ is sufficiently small because F is homogeneous. Since F is reflective, so is also the normal umbrella $F_x^\perp := \exp^\perp(T_x^\perp F)$ of F at x and hence F_x^\perp is a symmetric space.

Motivation. If F_x^\perp is a rank one symmetric space, then tubes over F of constant radius satisfies the above conditions (E-i), (E-ii) and (E-iii). Hence, when F_x^\perp is of rank one, it is very interesting to investigate in what case the volume-preserving mean curvature flow starting from a tube of non-constant radius over F converges to a tube of constant radius over F .

Under this motivation, we try to derive a result similar to those of M. Athanassenas ([A1,2]) and E. Cabezas-Rivas and V. Miquel ([CM1,2]) in this paper.

Let $\gamma : [0, \infty) \rightarrow \overline{M}$ be any normal geodesic of F . Denote by $r_{co}(\gamma)$ the first conjugate radius along the geodesic γ in F_x^\perp , $r_{fo}(\gamma)$ the first focal radius of F along

γ . $r_\gamma := \min\{r_{co}(\gamma), r_{fo}(\gamma)\}$. It is shown that, if F_x^\perp also is of rank one, then r_γ is independent of the choice of γ . Hence we denote r_γ by r_F in this case. The setting in this paper is as follows.

Setting (S). Let F be a reflective submanifold in a symmetric space \overline{M} of compact type or non-compact type and B be a compact closed domain in F with smooth boundary which is star-shaped with respect to some $x_* \in B$ and does not intersect with the cut locus of x_* in F . Assume that the normal umbrellas of F are rank one symmetric spaces. Set $P := \bigcup_{x \in \partial B} F_x^\perp$ and denote by E the closed domain in \overline{M} surrounded by P . Let $M := t_{r_0}(B)$ and $f := \exp^\perp|_{t_{r_0}(B)}$, where r_0 is a non-constant positive C^∞ -function over B with $r_0 < r_F$ such that $\text{grad } r_0 = 0$ holds along ∂B . Denote by D the closed domain surrounded by P and $f(M)$. See Figure 1 about this setting. In the case where \overline{M} is of compact type, see also Figure 4.

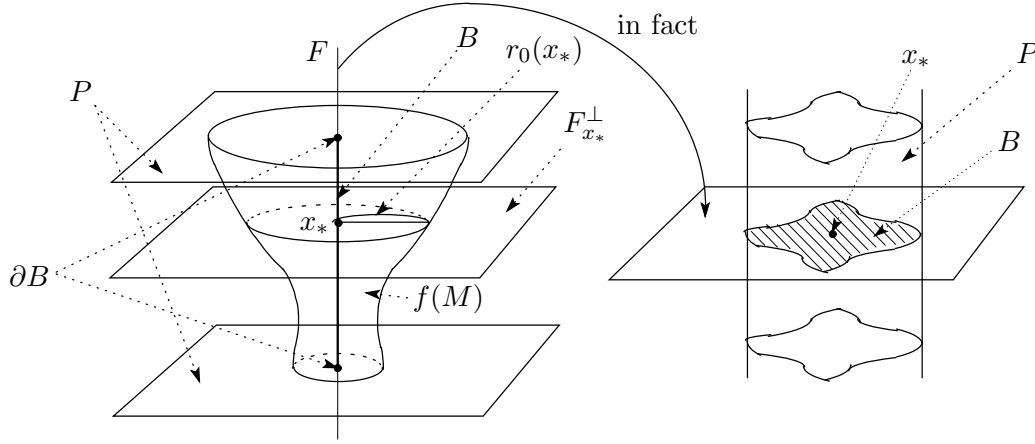


Figure 1.

Remark 1.1. (i) At least one of singular orbits of any Hermann action of cohomogeneity one on any symmetric space \overline{M} without Euclidean part other than a sphere and a (real) hyperbolic space is a reflective submanifold whose normal umbrellas are rank one symmetric spaces and tubes of constant radius over the reflective singular orbit satisfy the above conditions (E-i), (E-ii) and (E-iii) (i.e., of constant mean curvature). Note that, when \overline{M} is of compact type, the Hermann action has exactly two singular orbits and, when \overline{M} is of non-compact type, the Hermann action has the only one singular orbit. Hermann actions of cohomogeneity one on irreducible symmetric spaces of compact type or non-compact type are classified in [BT].

(ii) At least one of singular orbits of any Hermann action of cohomogeneity greater than one on any symmetric space \overline{M} of compact type or non-compact type is

a reflective submanifold, but the normal umbrellas are higher rank symmetric spaces and hence tubes of constant radius over the reflective singular orbit do not satisfy the above conditions (E-i), (E-ii) and (E-iii) (i.e., not of constant mean curvature).

Here we shall state the difference of the above setting (S) (which includes the setting in [CM1,2]) from the setting in [CM3] (see (1.3) in [CM3]). Note that the setting in [A1,2] is included in both settings because the equidistant hypersurfaces of a totally geodesic hypersurface in a Euclidean space are totally geodesic. The setting in [CM2] is as follows.

Setting([CM2]). Let $\bar{M} = J \times D^n(R)$ and $\bar{g} = f(r)^2 dz^2 + dr^2 + h(r)^2 g_{S^{n-1}}$, where J are an interval, $D^n(R)$ is the ball of radius R centered at the origin 0 in \mathbb{R}^n , S^{n-1} is the $(n-1)$ -dimensional sphere of radius 1 centered at O in \mathbb{R}^n , z is the natural coordinate of J , r is the radius function from 0 in \mathbb{R}^n , $g_{S^{n-1}}$ is the standard metric of S^{n-1} and f, h are positive functions. Let J' be an closed subinterval of J . E. Cabezas-Rivas and V. Miquel ([CM2]) considered the volume-preserving mean curvature flow starting from a tube over the one-dimensional totally geodesic submanifold $l := J' \times \{0\}$ in (\bar{M}, \bar{g}) which is orthogonal to the totally geodesic hypersurfaces $\partial J' \times D^n(R)$. See Figure 2 about this setting in the case where \bar{M} is of positive curvature.

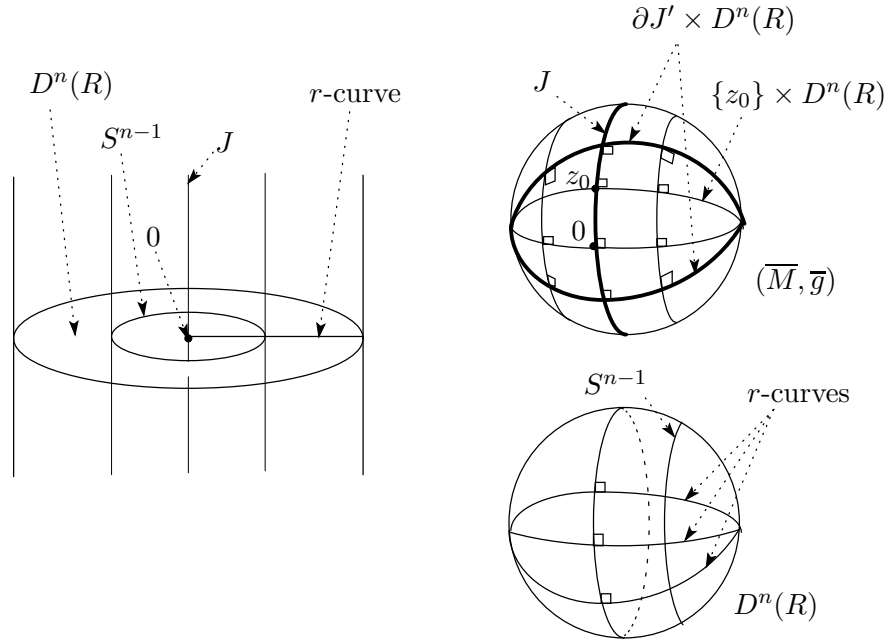


Figure 2.

The setting in [CM3] is as follows.

Setting([CM3]). Let $\overline{M} = J \times D^n(R)$ and $\overline{g} = dz^2 + f(z)^2 dr^2 + f(z)^2 h(r)^2 g_{S^{n-1}}$, where $J, D^n(R), S^{n-1}, z, r$ and $g_{S^{n-1}}$ are as above and f, h are positive functions. Let J' be an closed subinterval of J . E. Cabezas-Rivas and V. Miquel ([CM3]) considered the volume-preserving mean curvature flow starting from a tube over the one-dimensional totally geodesic submanifold $l := J' \times \{0\}$ in $(\overline{M}, \overline{g})$ which is orthogonal to the equidistant hypersurfaces $\partial J' \times D^n(R)$ (which are not totally geodesic). See Figure 3 about this setting in the case where \overline{M} is of positive curvature.

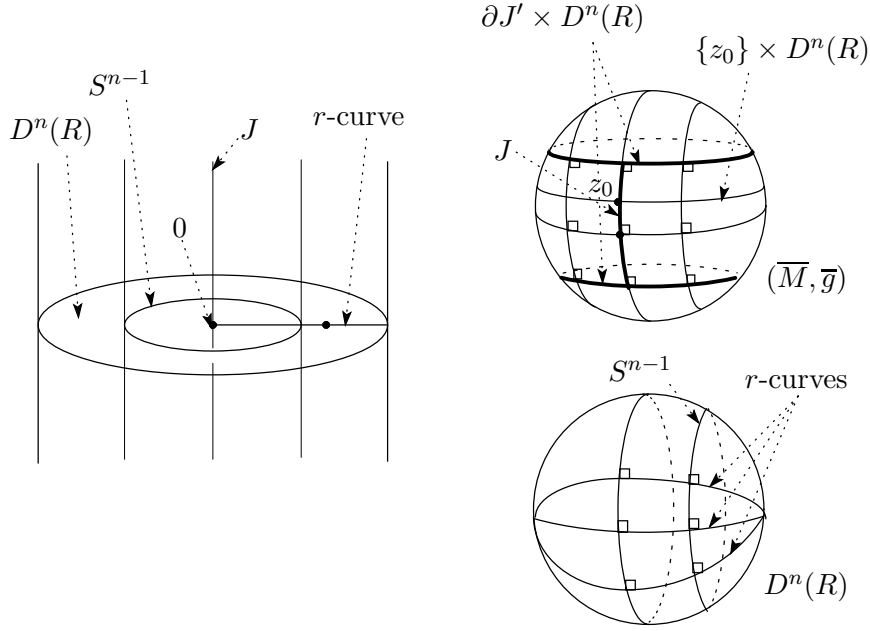


Figure 3.

Let F and $F_{x_*}^\perp$ be as in the above setting (S), I the radial geodesic in $F_{x_*}^\perp$ starting from x_* removed the closure of a neighborhood of x_* and S^{n-1} the unit geodesic sphere centered at x_* in $F_{x_*}^\perp$. Then \overline{M} in the setting (S) is locally diffeomorphic to $B \times I \times S^{n-1}$ and \overline{g} in the setting (S) is locally described as $\overline{g}_{(x,r,v)} = A_{r,x}^*(g_F)_x + dr^2 + \widehat{A}_{r,v}^*(g_{S^{n-1}})_v$ ($(x, r, v) \in B \times I \times S^{n-1}$), where $g_F, g_{S^{n-1}}$ are the induced metrics on F and S^{n-1} (where we note that $g_{S^{n-1}}$ is not the canonical metric) and $A_{r,x}$ (resp. $\widehat{A}_{r,v}$) is a $(1, 1)$ -tensor of $T_x F$ (resp. $T_v S^{n-1}$) depending only on r (which are independent of x and v essentially). We consider the volume-preserving mean curvature flow starting from a tube over B . Thus our setting (S) includes Setting([CM2]) (see

Figure 4). Under the above setting (S), we consider the volume-preserving mean curvature flow f_t ($t \in [0, T)$) starting from f and satisfying the following boundary condition:

(C1) $\text{grad } r_t = 0$ holds along ∂B for all $t \in [0, T)$, where r_t is the radius function of $M_t := f_t(M)$ (i.e., $M_t = \exp^\perp(t r_t(B))$), where r_t is possible to be multi-valued.

Furthermore, assume that the this flow satisfies the following condition:

(C2) $(\text{grad } r_t)_x$ belongs to a common eigenspace of the family $\{R(\cdot, \xi)\xi\}_{\xi \in T_x^\perp B}$ for all $(x, t) \in B \times [0, T)$.

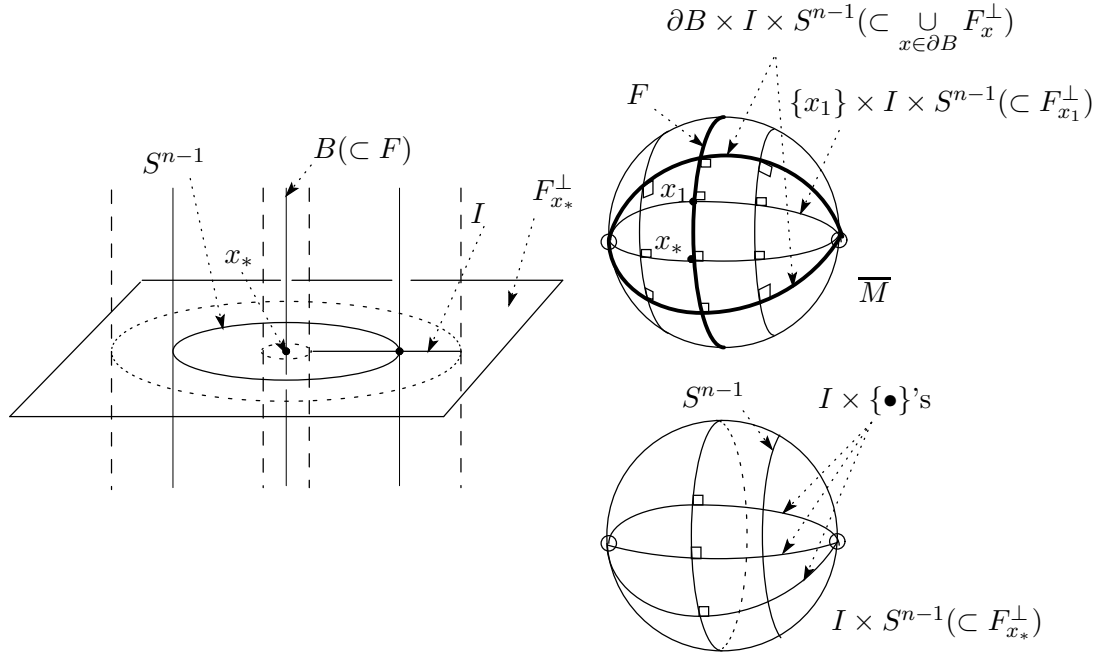


Figure 4.

If the initial radius function r_0 is constant over a collar neighborhood U of ∂B , then $t_{r_0}(U)$ is of constant mean curvature because the normal umbrellas of F are of rank one by the assumption (furthermore, these umbrellas are automatically isometric to one another). Hence $\overline{H}_t - H_t$ ($t \in [0, T)$) remain to be constant over $t_{r_0}(U)$, that is, r_t ($t \in [0, T)$) remain to be constant over U (see Figure 5). If \overline{M} is a rank one symmetric space (other than a sphere and a (real) hyperbolic space) and if F is an invariant submanifold, then $R(\cdot, \xi)\xi|_{T_x F}$ ($x \in F$, $\xi \in T_x^\perp F$) are the constant-multiple of the identity transformation $\text{id}_{T_x F}$ of $T_x F$ and hence the condition (C2)

automatically holds. Here “invariant submanifold” means that the tangent spaces of the submanifold are invariant by J , where J denotes the complex structure of \overline{M} in the case where \overline{M} is the complex projective space or the complex hyperbolic space, any complex structure belonging to the quaternionic structure of \overline{M} in the case where \overline{M} is the quaternionic projective space or the quaternionic hyperbolic space, and any complex structure belonging to the Cayley structure of \overline{M} in the case where \overline{M} is the Cayley plane (i.e., $F_4/Spin(9)$) or the Cayley hyperbolic space (i.e., $F_4^{-20}/Spin(9)$). Also, if $F \subset \overline{M}$ is one of meridians in irreducible rank two symmetric spaces of compact type in Table 2 (see Appendix) and if \mathcal{D} is the corresponding distribution on F as in Table 2, then \mathcal{D}_x is a common eigenspace of the family $\{R(\cdot, \xi)\xi \mid \xi \in T_x^\perp F\}$ for any $x \in F$. It is easy to show that, if the initial radius function r_0 satisfies $(\text{grad } r_0)_x \in \mathcal{D}_x$ ($x \in B$), then r_t satisfies $(\text{grad } r_t)_x \in \mathcal{D}_x$ ($x \in B$) for all $t \in [0, T)$, that is, the condition (C2) holds.

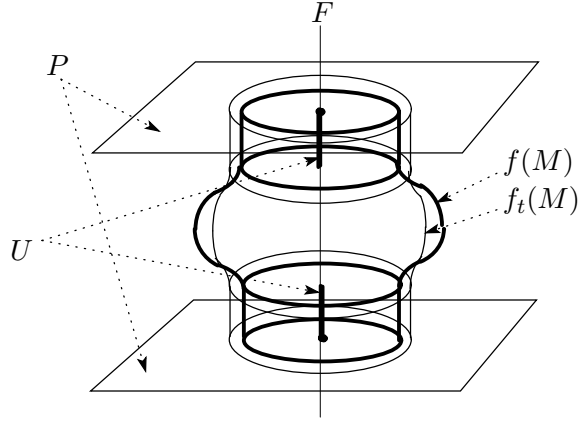


Figure 5.

If the condition (C2) holds, then it is shown that there uniquely exists the volume-preserving mean curvature flow $f_t : M \hookrightarrow \overline{M}$ starting from f as in the above setting (S) and satisfying the condition (C1) in short time (see Proposition 4.2). Under these assumptions, we first derive the evolution equations for the radius functions of the flow and some quantities related to the gradients of the functions (see Sections 4 and 5). Next, in the following special case, we derive the following preservability theorem for the tubeness along the flow by using the evolution equations.

Theorem A. *Let f be as in the above setting (S) and f_t ($t \in [0, T)$) the volume-preserving mean curvature flow starting from f and satisfying the above condition*

(C1). Assume that \overline{M} is a rank one symmetric space of non-compact type, F is an invariant submanifold and that B is a closed geodesic ball of radius r_B centered at x_* in F , where the invariantness of F means the totally geodesicness in the case where \overline{M} is a (real) hyperbolic space. If r_0 is radial with respect to x_* (i.e., r_0 is constant along each geodesic sphere centered at x_* in F), then M_t ($t \in [0, T)$) remain to be tubes over B such that the volume of the closed domain surrounded by M_t and P is equal to $\text{Vol}(D)$.

Furthermore, we derive the following results.

Theorem B. Under the hypothesis of Theorem A, one of the following statements (a) and (b) holds:

- (a) $M_t := f_t(M)$ reaches B as $t \rightarrow T$,
- (b) $T = \infty$ and M_t converges to a tube of constant mean curvature over B (in C^∞ -topology) as $t \rightarrow \infty$.

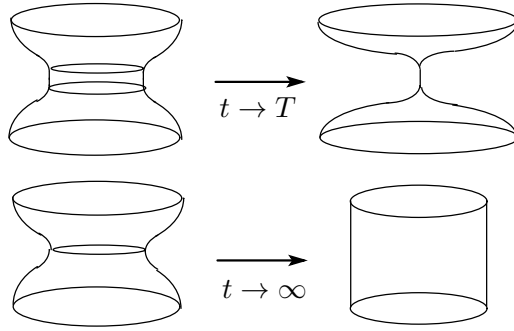


Figure 6.

Theorem C. Under the hypothesis of Theorem A, assume that

$$\text{Vol}(M_0) \leq v_{m^H-1} v_{m^V} (\delta_2 \circ \delta_1^{-1}) \left(\frac{\text{Vol}(D)}{v_{m^V} \text{Vol}(B)} \right),$$

where $m^H := \dim F$, $m^V := \text{codim } F - 1$, v_{m^H-1} (resp. v_{m^V}) is the volume of the $m^H - 1$ (resp. m^V)-dimensional Euclidean unit sphere and δ_i ($i = 1, 2$) are increasing functions over \mathbb{R} explicitly described (see Section 6). Then $T = \infty$ and M_t converges to a tube of constant mean curvature over B (in C^∞ -topology) as $t \rightarrow \infty$.

Remark 1.2. Let \overline{g} be the metric of \overline{M} and c a positive constant. As $c \rightarrow \infty$, $c\overline{g}$ approaches to a flat metric and δ_i ($i = 1, 2$) approaches to the identity transformation

of $[0, \infty)$ and hence $v_{m^V}(\delta_2 \circ \delta_1^{-1}) \left(\frac{\text{Vol}(D)}{v_{m^V} \text{Vol}(B)} \right)$ approaches to $\frac{\text{Vol}(D)}{\text{Vol}(B)}$. Thus, as $c \rightarrow \infty$, the condition $\text{Vol}(M_0) \leq v_{m^{H-1}} v_{m^V}(\delta_2 \circ \delta_1^{-1}) \left(\frac{\text{Vol}(D)}{v_{m^V} \text{Vol}(B)} \right)$ approaches to the condition $\text{Vol}(M) \leq \frac{\text{Vol}(D)}{d}$ in the statement (ii) of Fact 1 in the case of $\dim F = 1$.

In the future, we plan to tackle the following problem.

Problem. Under the hypothesis of Theorem C, does M_t converge to a tube of constant radius over B (in C^∞ -topology) as $t \rightarrow \infty$?

As the first step to solve this problem, I need to classify tubes of constant mean curvature over F other than tubes of constant radius over F .

2 The mean curvature of a tube over a reflective submanifold

In this section, we shall calculate the mean curvature of a tube over a reflective submanifold in a symmetric space of compact type or non-compact type. Let $\overline{M} = G/K$ be a symmetric space of compact type or non-compact type, where G is the identity component of the isometry group of \overline{M} and K is the isotropy group of G at some point p_0 of \overline{M} . Let F be a reflective submanifold in \overline{M} such that the normal umbrellas Σ_x 's ($x \in F$) are symmetric spaces of rank one. Denote by \bar{g} (resp. g_F) the Riemannian metric of \overline{M} (resp. F) and $\bar{\nabla}$ (resp. ∇^F) the Riemannian connection of \overline{M} (resp. F). Denote by \mathfrak{g} and \mathfrak{k} the Lie algebras of G and K , respectively. Also, let θ be the Cartan involution of \mathfrak{g} with $(\text{Fix } \theta)_0 \subset K \subset \text{Fix } \theta$ and set $\mathfrak{p} := \text{Ker}(\theta + \text{id})$, which is identified with the tangent space of $T_{p_0} \overline{M}$ of \overline{M} at p_0 . Without loss of generality, we may assume that p_0 belongs to F . Set $\mathfrak{p}' := T_{p_0} F$ and $\mathfrak{p}'^\perp := T_{p_0}^\perp F$. Take a maximal abelian subspace \mathfrak{b} of \mathfrak{p}'^\perp and a maximal abelian subspace \mathfrak{a} of \mathfrak{p} including \mathfrak{b} . Note that the dimension of \mathfrak{b} is equal to 1 because the normal umbrellas of F is symmetric spaces of rank one by the assumption. For each $\alpha \in \mathfrak{a}^*$ and $\beta \in \mathfrak{b}^*$, we define a subspace \mathfrak{p}_α and \mathfrak{p}_β of \mathfrak{p} by

$$\mathfrak{p}_\alpha := \{Y \in \mathfrak{p} \mid \text{ad}(X)^2(Y) = -\varepsilon\alpha(X)^2 Y \text{ for all } X \in \mathfrak{a}\}$$

and

$$\mathfrak{p}_\beta := \{Y \in \mathfrak{p} \mid \text{ad}(X)^2(Y) = -\varepsilon\beta(X)^2 Y \text{ for all } X \in \mathfrak{b}\},$$

respectively, where ad is the adjoint representation of \mathfrak{g} , \mathfrak{a}^* (resp. \mathfrak{b}^*) is the dual space of \mathfrak{a} (resp. \mathfrak{b}) and ε is given by

$$\varepsilon := \begin{cases} 1 & (\text{when } \overline{M} \text{ is of compact type}) \\ -1 & (\text{when } \overline{M} \text{ is of non-compact type}). \end{cases}$$

Define a subset Δ of \mathfrak{a}^* by

$$\Delta := \{\alpha \in \mathfrak{a}^* \mid \mathfrak{p}_\alpha \neq \{0\}\},$$

and subsets Δ' and Δ'_V of \mathfrak{b}^* by

$$\Delta' := \{\beta \in \mathfrak{b}^* \mid \mathfrak{p}_\beta \neq \{0\}\}$$

and

$$\Delta'_V := \{\beta \in \mathfrak{b}^* \mid \mathfrak{p}_\beta \cap \mathfrak{p}'^\perp \neq \{0\}\}.$$

The systems Δ and Δ'_V are root systems and $\Delta' = \{\alpha|_{\mathfrak{b}} \mid \alpha \in \Delta\}$ holds. Let Δ_+ (resp. $(\Delta'_V)_+$) be the positive root system of Δ (resp. Δ'_V) with respect to some lexicographic ordering of \mathfrak{a}^* (resp. \mathfrak{b}^*) and Δ'_+ be the positive subsystem of Δ' with respect to the lexicographic ordering of \mathfrak{b}^* , where we take one compatible with the lexicographic ordering of \mathfrak{b}^* as the lexicographic ordering of \mathfrak{a}^* . Also we have the following root space decomposition:

$$\mathfrak{p} = \mathfrak{a} + \sum_{\alpha \in \Delta_+} \mathfrak{p}_\alpha = \mathfrak{z}_{\mathfrak{p}}(\mathfrak{b}) + \sum_{\beta \in \Delta'_+} \mathfrak{p}_\beta,$$

where $\mathfrak{z}_{\mathfrak{p}}(\mathfrak{b})$ is the centralizer of \mathfrak{b} in \mathfrak{p} . For convenience, we set $\mathfrak{p}_0 := \mathfrak{z}_{\mathfrak{p}}(\mathfrak{b})$. Since the normal umbrellas of F are symmetric spaces of rank one, $\dim \mathfrak{b} = 1$ and this root system Δ'_V is of (\mathfrak{a}_1) -type or (\mathfrak{bd}_1) -type. Hence $(\Delta'_V)_+$ is described as

$$(\Delta'_V)_+ = \begin{cases} \{\beta\} & (\Delta'_V : (\mathfrak{a}_1)\text{-type}) \\ \{\beta, 2\beta\} & (\Delta'_V : (\mathfrak{bd}_1)\text{-type}) \end{cases}$$

for some $\beta (\neq 0) \in \mathfrak{b}^*$. However, in general, we may describe as $(\Delta'_V)_+ = \{\beta, 2\beta\}$ by interpreting as $\mathfrak{p}_{2\beta} = \{0\}$ when Δ'_V is of (\mathfrak{a}_1) . The system Δ'_+ is described as

$$\Delta'_+ = \{k\beta \mid k \in \mathcal{K}\}$$

for some finite subset \mathcal{K} of \mathbb{R}_+ . Set $b := |\beta(X_0)|$ for a unit vector X_0 of \mathfrak{b} . Since F is curvature-adapted, \mathfrak{p}' and \mathfrak{p}'^\perp are $\text{ad}(X)^2$ -invariant for each $X \in \mathfrak{b}$. Hence we have the following direct sum decompositions:

$$\mathfrak{p}' = \mathfrak{p}_0 \cap \mathfrak{p}' + \sum_{k \in \mathcal{K}} (\mathfrak{p}_{k\beta} \cap \mathfrak{p}')$$

and

$$(\mathfrak{p}')^\perp = \mathfrak{b} + \sum_{k=1}^2 (\mathfrak{p}_{k\beta} \cap (\mathfrak{p}')^\perp).$$

For each $p \in \overline{M}$, we choose a shortest geodesic $\gamma_{p_0p} : [0, 1] \rightarrow \overline{M}$ with $\gamma_{p_0p}(0) = p_0$ and $\gamma_{p_0p}(1) = p$, where the choice of γ_{p_0p} is not unique in the case where p belongs to the cut locus of p_0 . Denote by τ_p the parallel translation along γ_{p_0p} . For $w \in T_p \overline{M}$, we define linear transformations $\text{ad}(w)^2$, D_w^{id} , D_w^{co} and D_w^{si} of $T_p \overline{M}$ by

$$\begin{aligned} \text{ad}(w)^2 &:= \tau_p \circ \text{ad}(\tau_p^{-1}w)^2 \circ \tau_p^{-1}, \\ D_w^{co} &:= \tau_p \circ \cos(\mathbf{iad}(\tau_p^{-1}w)) \circ \tau_p^{-1} \end{aligned}$$

and

$$D_w^{si} := \tau_p \circ \frac{\sin(\mathbf{iad}(\tau_p^{-1}w))}{\mathbf{iad}(\tau_p^{-1}w)} \circ \tau_p^{-1},$$

respectively, where \mathbf{i} is the imaginary unit. Note that, if $\tau_p^{-1}(X) \in \mathfrak{p}_{k\beta}$, then

$$(2.1) \quad \begin{aligned} \text{ad}(w)^2(X) &= -(\sqrt{\varepsilon kb} \|X\|)^2 X, & D_w^{co}(X) &= \cos(\sqrt{\varepsilon kb} \|X\|)(X) \\ \text{and } D_w^{si} &= \frac{\sin(\sqrt{\varepsilon kb} \|X\|)}{\sqrt{\varepsilon kb} \|X\|} X. \end{aligned}$$

Let r be a positive-valued function over F with $r < r_F$ and B a compact closed domain in F . Set $M := t_r(B)$ and $f := \exp^\perp|_{t_r(B)}$. Then f is an embedding. Denote by g the induced metric on M , N the outward unit normal vector field of M and A the shape operator of M with respect to $-N$. Fix $x \in B$ and $\xi \in M \cap T_x^\perp B$. Without loss of generality, we may assume that $\tau_x^{-1}\xi \in \mathfrak{b}$. Denote by γ_ξ the normal geodesic of B whose initial vector is equal to ξ and τ_{γ_ξ} the parallel translation along $\gamma_\xi|_{[0,1]}$. The vertical subspace \mathcal{V}_ξ and the horizontal subspace \mathcal{H}_ξ at ξ are defined by $\mathcal{V}_\xi := T_\xi(M \cap T_x^\perp B)$ and $\mathcal{H}_\xi := \{\tilde{X}_\xi \mid X \in T_x B\}$, respectively, where \tilde{X}_ξ is the natural lift of X to ξ (see [Ko1] about the definition of the natural lift). Take $v \in \mathcal{V}_\xi$. Let $J_{\xi,v}$ be the Jacobi field along γ_ξ with $J_{\xi,v}(0) = 0$ and $J'_{\xi,v}(0) = v$, where v is regarded as an element of $T_x^\perp B$ under the identification of $T_\xi(T_x^\perp B)$ and $T_x B$. According to (1.2) in [Ko1], we obtain

$$J_{\xi,v}(s) = \tau_{\gamma_\xi|_{[0,s]}}(D_{s\xi}^{co}(J_{\xi,v}(0)) + sD_{s\xi}^{si}(J'_{\xi,v}(0))) = \tau_{\gamma_\xi|_{[0,s]}}(sD_{s\xi}^{si}(v)).$$

Hence we obtain

$$(2.2) \quad \exp_*^\perp(v) = J_{\xi,v}(1) = \tau_{\gamma_\xi|_{[0,1]}}(D_\xi^{si}(v)).$$

Take $X \in T_x B$. Let $J_{\xi, X}$ be the strongly B -Jacobi field along γ_ξ with $J_{\xi, X}(0) = X$, where “strongly” means that $J'_{X, \xi}(0) \in T_x B$. Since F is reflective (hence totally geodesic), we have $J'_{X, \xi}(0) = 0$. Hence, according to (1.2) in [Ko1], we obtain

$$J_{\xi, X} = \tau_{\gamma_\xi|_{[0, s]}}(D_{s\xi}^{co}(J_{\xi, X}(0)) + sD_{s\xi}^{si}(J'_{\xi, X}(0))) = \tau_{\gamma_\xi|_{[0, s]}}(D_{s\xi}^{co}(X)).$$

On the other hand, according to (1.1) in [Ko1], we have

$$\exp_*^\perp(\tilde{X}_\xi) = J_{\xi, X}(1) + \frac{Xr}{r(x)}\gamma'_\xi(1).$$

Therefore, we can derive

$$(2.3) \quad \exp_*^\perp(\tilde{X}_\xi) = \tau_{\gamma_\xi|_{[0, 1]}}(D_\xi^{co}(X)) + \frac{Xr}{r(x)}\gamma'_\xi(1).$$

Take $v \in \mathcal{V}_\xi$ with $\tau_x^{-1}(v) \in \mathfrak{p}_{k\beta}$ and $X \in T_x B$ with $\tau_x^{-1}X \in \mathfrak{p}_{k\beta}$, where $k \in \mathcal{K} \cup \{0\}$. According to (i) of Theorem A in [Ko1], we have

$$(2.4) \quad Av = \frac{1}{\sqrt{1 + \|(D_\xi^{co})^{-1}(\text{grad } r)_x\|^2}} \times \left(\frac{\sqrt{\varepsilon}kb}{\tan(\sqrt{\varepsilon}kbr(x))}v + ((\tau_{\gamma_\xi} \circ \tau_x)(Z_{v, \xi}(1)))_T \right),$$

where $\text{grad } r$ is the gradient vector field of r (with respect to the induced metric on B), $(\cdot)_T$ is the TM -component of (\cdot) and $Z_{v, \xi}(\cdot) : \mathbb{R} \rightarrow \mathfrak{p}$ is the solution of the following differential equation:

$$(2.5) \quad Z''(s) = \text{ad}(\tau_x^{-1}\xi)^2(Z(s)) - 2[[\tau_x^{-1}\xi, \tau_x^{-1}((D_{s\xi}^{co} \circ (D_\xi^{co})^{-2})(\text{grad } r)_x)], \tau_x^{-1}(D_{s\xi}^{co}(v_0))] - 2 \left[[\tau_x^{-1}\xi, s\tau_x^{-1}(D_{s\xi}^{si}(v_0))], \tau_x^{-1} \left(\frac{dD_{s\xi}^{co}}{ds} \circ (D_\xi^{co})^{-2} \right) ((\text{grad } r)_x) \right]$$

satisfying the following initial condition:

$$(2.6) \quad Z(0) = \tau_x^{-1}(((D^{co})^{-2})_{*\xi}v)(\text{grad } r)_x,$$

and

$$(2.7) \quad Z'(0) = 0,$$

where v_0 is the element of $T_x^\perp B$ corresponding to v under the identification of $T_\xi(T_x^\perp B)$ and $T_x^\perp B$, $((D^{co})^{-2})_{*\xi}$ is the differential of $(D^{co})^{-2}$ at ξ (which is regarded as a map from $T_x^\perp B$ to $T_x^* B \otimes T_x B$) and $((D^{co})^{-2})_{*\xi}v$ is regarded as an

element of $T_x^*B \otimes T_xB$ under the natural identification of $T_{(D_\xi^{co})^{-2}}(T_x^*B \otimes T_xB)$ and $T_x^*B \otimes T_xB$. According to (ii) of Theorem A in [Ko1], we have

$$(2.8) \quad A\tilde{X}_\xi = -\frac{\sqrt{\varepsilon}kb \tan(\sqrt{\varepsilon}kbr(x))}{\sqrt{1 + \|(D_\xi^{co})^{-1}(\text{grad } r)_x\|^2}} \tilde{X}_\xi \\ + \frac{(Xr)\sqrt{\varepsilon}kb \tan(\sqrt{\varepsilon}kbr(x))}{(1 + \|(D_\xi^{co})^{-1}(\text{grad } r)_x\|^2)^{3/2}} ((D_\xi^{co})^{-2}(\text{grad } r)_x)_\xi \\ - \frac{1}{\sqrt{1 + \|(D_\xi^{co})^{-1}(\text{grad } r)_x\|^2}} ((\tau_{\gamma_\xi} \circ \tau_x)(Z_{X,\xi}(1)))_T,$$

where $Z_{X,\xi}(\cdot: \mathbb{R} \rightarrow \mathfrak{p})$ is the solution of the following differential equation:

$$(2.9) \quad Z''(s) \\ = \text{ad}(\tau_x^{-1}\xi)^2(Z(s)) + \frac{2Xr}{r(x)} \text{ad}(\tau_x^{-1}\xi)^2(\tau_x^{-1}((D_{s\xi}^{co} \circ (D_\xi^{co})^{-2})((\text{grad } r)_x))) \\ - 2 \left[[\tau_x^{-1}\xi, \tau_x^{-1}((D_{s\xi}^{co} \circ (D_\xi^{co})^{-2})((\text{grad } r)_x))], \tau_x^{-1} \frac{dD_{s\xi}^{co}}{ds} X \right] \\ - 2 \left[[\tau_x^{-1}\xi, \tau_x^{-1}(D_{s\xi}^{co} X)], \tau_x^{-1} \left(\frac{dD_{s\xi}^{co}}{ds} \circ (D_\xi^{co})^{-2} \right) ((\text{grad } r)_x) \right]$$

satisfying the following initial condition:

$$(2.10) \quad Z(0) = \tau_x^{-1}(\nabla^F)^{\pi|_M} \tilde{X}_\xi ((D_\xi^{co})^{-2}(\text{grad } r)_x)$$

and

$$(2.11) \quad Z'(0) = -[[\tau_x^{-1}\xi, \tau_x^{-1}X], \tau_x^{-1}(D_\xi^{co})^{-2}(\text{grad } r)_x],$$

where $(\nabla^F)^{\pi|_M}$ is the pull-back connection of the Riemannian connection ∇^F of F by $\pi|_M$. Here we give the table of the correspondence between the above notations and the notations in [Ko1].

The notation in [Ko1]	The notations in this paper	Remark
M	B	
ε	r	
$t_\varepsilon(M)$	$M(= t_r(B))$	
A_E^ε	A	
B_ξ	D_ξ^{co}	by the reflectivity of F
g_*	τ_x	
$\mu(g_*^{-1}\xi)$	$\sqrt{\varepsilon}kbr(x)$	

Table 1.

Assumption. Assume that there exists $k_0 \in \{0, 1, 2\}$ such that $\tau_x^{-1}((\text{grad } r)_x) \in \mathfrak{p}_{k_0\beta} \cap \mathfrak{p}'$ holds for any $\xi \in M \cap T_x^\perp B$, where we note that $\mathfrak{p}_{k_0\beta}$ depends on the choice of ξ .

Denote by $(\cdot)_k$ the $\tau_x(\mathfrak{p}_{k\beta})$ -component of $(\cdot) \in T_x B$, where $k \in \mathcal{K} \cup \{0\}$. Then we have

$$(2.12) \quad (D_\xi^{co})^{-j}((\text{grad } r)_x) = \frac{1}{\cos^j(\sqrt{\varepsilon}k_0br(x))}(\text{grad } r)_x \quad (j = 1, 2)$$

and

$$(2.13) \quad ((D^{co})_{*\xi}^{-2}(v))((\text{grad } r)_x) = \frac{2\sqrt{\varepsilon}k_0br(x) \sin(\sqrt{\varepsilon}k_0br(x))}{\cos^3(\sqrt{\varepsilon}k_0br(x))}(\text{grad } r)_x.$$

Since F is reflective, it is an orbit of a Hermann action (i.e., the action of a symmetric subgroup of G) and hence it is homogeneous. Let $c : I \rightarrow B$ be the (homogeneous) geodesic in B with $c'(0) = X$ and $\tilde{\xi}$ the normal vector field of B along c such that $\hat{\xi}(0) = \xi$, $\frac{\tilde{\xi}}{\|\tilde{\xi}\|}$ is parallel (with respect to the normal connection) and that $\|\hat{\xi}(t)\| = r(\pi(c(t)))$ for all t in the domain of $\hat{\xi}$. This curve $\hat{\xi}$ is regarded as a curve in M with $\hat{\xi}'(0) = \tilde{X}_\xi$. Since c is a homogeneous curve, it is described as $c(t) = \hat{a}(t)x$ ($t \in I$) for some curve $\hat{a} : I \rightarrow G$. Then, since $\frac{\tilde{\xi}}{\|\tilde{\xi}\|}$ is parallel and F is a submanifold with section (i.e., with Lie triple systematic normal bundle in the sense of [Kol]) by the reflectivity of F , we can show

$$(2.14) \quad \text{Span}\{\hat{\xi}(t)\} = \hat{a}(t)_*(\text{Span}\{\xi\}) = (\hat{a}(t)_* \circ \tau_x)(\mathfrak{b}) \quad (t \in I)$$

(see Theorem 5.5.12 of [PT]) and

$$(2.15) \quad T_{c(t)}B = \sum_{k \in \mathcal{K} \cup \{0\}} (T_{c(t)}B \cap (\hat{a}(t)_* \circ \tau_x)(\mathfrak{p}_{k\beta})).$$

Denote by $(\cdot)_k$ the $(\hat{a}(t)_* \circ \tau_x)(\mathfrak{p}_{k\beta})$ -component of $(\cdot) \in T_{c(t)}B$. Then we can show

$$(2.16) \quad \begin{aligned} (\nabla^F)^{\pi|_M}_{\tilde{X}_\xi}((D^{co})^{-2}\text{grad } r) &= \frac{\nabla^F}{dt} \Big|_{t=0} (D_{\hat{\xi}(t)}^{co})^{-2}((\text{grad } r)_{c(t)}) \\ &= \frac{\nabla^F}{dt} \Big|_{t=0} \left(\frac{1}{\cos^2(\sqrt{\varepsilon}k_0br(c(t)))}(\text{grad } r)_{c(t)} \right) \\ &= \frac{2(Xr)\sqrt{\varepsilon}k_0b \sin(\sqrt{\varepsilon}k_0br(x))}{\cos^3(\sqrt{\varepsilon}k_0br(x))}(\text{grad } r)_x \\ &\quad + \frac{1}{\cos^2(\sqrt{\varepsilon}k_0br(x))} \frac{\nabla^F}{dt} \Big|_{t=0} (\text{grad } r)_{c(t)}, \end{aligned}$$

where $\frac{\nabla^F}{dt}$ is the covariant derivative along c with respect to ∇^F . Since F is a submanifold with section, we have

$$(2.17) \quad [[\mathfrak{p}', \mathfrak{p}'^\perp], \mathfrak{p}'^\perp] \subset \mathfrak{p}', \quad [[\mathfrak{p}'^\perp, \mathfrak{p}'^\perp], \mathfrak{p}'] \subset \mathfrak{p}' \text{ and } [[\mathfrak{p}'^\perp, \mathfrak{p}'], \mathfrak{p}'] \subset \mathfrak{p}'^\perp.$$

Hence, since Z_v satisfies (2.5), we have

$$Z_v''(s) \equiv \text{ad}(\tau_x^{-1}\xi)^2 Z_v(s) \pmod{\mathfrak{p}'}$$

Also, since Z_v satisfies (2.6), it follows from (2.13) that $Z_v(0) \equiv 0 \pmod{\mathfrak{p}'}$. Furthermore, since Z_v satisfies (2.7), we have $Z_v'(0) = 0$. Hence we can show $Z_v(s) \equiv 0 \pmod{\mathfrak{p}'}$. Therefore, from (2.4), we obtain

$$(2.18) \quad Av \equiv \frac{\sqrt{\varepsilon}kb \cos(\sqrt{\varepsilon}k_0br(x))}{\tan(\sqrt{\varepsilon}kbr(x))\sqrt{\cos^2(\sqrt{\varepsilon}k_0br(x)) + \|(\text{grad } r)_x\|^2}} v \pmod{\mathfrak{p}'}$$

On the other hand, from (2.3) and (2.8), we have

$$(2.19) \quad \begin{aligned} A\tilde{X}_\xi &\equiv \frac{g(A\tilde{X}_\xi, \tilde{X}_\xi)}{\|\tilde{X}\|^2} \tilde{X}_\xi \\ &= \left\{ \begin{aligned} &-\frac{\sqrt{\varepsilon}kb \tan(\sqrt{\varepsilon}kbr(x)) \cos(\sqrt{\varepsilon}k_0br(x))}{\sqrt{\cos^2(\sqrt{\varepsilon}k_0br(x)) + \|(\text{grad } r)_x\|^2}} \\ &+ \frac{(Xr)^2 \sqrt{\varepsilon}kb \tan(\sqrt{\varepsilon}kbr(x)) \cos(\sqrt{\varepsilon}k_0br(x))}{\sqrt{\cos^2(\sqrt{\varepsilon}k_0br(x)) + \|(\text{grad } r)_x\|^2}} \\ &\times \frac{(\cos(\sqrt{\varepsilon}k_0br(x)) \cos(\sqrt{\varepsilon}kbr(x)) + \|(\text{grad } r)_x\|^2)}{(\cos^2(\sqrt{\varepsilon}kbr(x))\|X\|^2 + (Xr)^2)} \\ &- \frac{\cos(\sqrt{\varepsilon}k_0br(x))\bar{g}((\tau_{\gamma_\xi} \circ \tau_x)(Z_{X,\xi}(1)))_T, \exp_*^\perp(\tilde{X}_\xi)}{\sqrt{\cos^2(\sqrt{\varepsilon}k_0br(x)) + \|(\text{grad } r)_x\|^2}} \\ &\times \frac{1}{(\cos^2(\sqrt{\varepsilon}kbr(x))\|X\|^2 + (Xr)^2)} \end{aligned} \right\} \tilde{X}_\xi \\ &\pmod{T_\xi M \ominus T^\perp \text{span}\{\tilde{X}_\xi\}}. \end{aligned}$$

Denote by $(\bullet)_{\mathfrak{p}'}$ (resp. $(\bullet)_{\mathfrak{p}'^\perp}$) the \mathfrak{p}' -component (resp. the \mathfrak{p}'^\perp -component) of (\bullet) . Also, denote by $(\bullet)_{\mathfrak{p}'_{\bar{k}}}$ the $(\mathfrak{p}' \cap \mathfrak{p}'_{\bar{k}})$ -component of (\bullet) ($\bar{k} \in \mathcal{K} \cup \{0\}$), and $(\bullet)_{\mathfrak{p}'_{\bar{k}}^\perp}$ the $(\mathfrak{p}'^\perp \cap \mathfrak{p}'_{\bar{k}})$ -component of (\bullet) ($\bar{k} \in \{0, 1, 2\}$). Now we shall calculate $Z_{v,\xi}$. Since $Z_{v,\xi}$

satisfies (2.5), it follows from the relations in (2.17) that
(2.20)

$$(Z_{v,\xi})''_{\mathfrak{p}'_{\bar{k}}}(s) = \begin{cases} -(\sqrt{\varepsilon}k_0br(x))^2(Z_{v,\xi})_{\mathfrak{p}'_{\bar{k}}}(s) \\ +m \cos(s\sqrt{\varepsilon}kbr(x)) \cos(s\sqrt{\varepsilon}k_0br(x))\mathbf{C}_{v,\xi}^1 & (\bar{k} = |k_0 \pm k|) \\ \pm \sin(s\sqrt{\varepsilon}kbr(x)) \sin(s\sqrt{\varepsilon}k_0br(x))\mathbf{C}_{v,\xi}^2 \\ -(\sqrt{\varepsilon}\bar{k}br(x))^2(Z_{v,\xi})_{\mathfrak{p}'_{\bar{k}}}(s) & (\bar{k} \neq |k_0 \pm k|) \end{cases}$$

and

$$(2.21) \quad (Z_{v,\xi})''_{\mathfrak{p}'_{\bar{k}}^\perp}(s) = -(\sqrt{\varepsilon}\bar{k}br(x))^2(Z_{v,\xi})_{\mathfrak{p}'_{\bar{k}}^\perp}(s),$$

where $\mathbf{C}_{v,\xi}^i$ ($i = 1, 2$) are given by

$$\mathbf{C}_{v,\xi}^1 := -\frac{2}{\cos^2(\sqrt{\varepsilon}k_0br(x))} [[\tau_x^{-1}\xi, \tau_x^{-1}(\text{grad } r)_x], \tau_x^{-1}v]$$

and

$$\mathbf{C}_{v,\xi}^2 := \frac{k_0}{k \cos^2(\sqrt{\varepsilon}kbr(x))} [[\tau_x^{-1}\xi, \tau_x^{-1}v], \tau_x^{-1}(\text{grad } r)_x].$$

Note that $\mathbf{C}_{v,\xi}^1$ and $\mathbf{C}_{v,\xi}^2$ belong to $\mathfrak{p}'_{k_0+k} + \mathfrak{p}'_{|k_0-k|}$ because of $[[\mathfrak{p}_0, \mathfrak{p}_{k_0}], \mathfrak{p}_k]$, $[[\mathfrak{p}_0, \mathfrak{p}_k], \mathfrak{p}_{k_0}] \in \mathfrak{p}_{k_0+k} + \mathfrak{p}_{|k_0-k|}$ and (2.17). Since $Z_{v,\xi}$ satisfies (2.6), it follows from (2.13) that

$$(2.22) \quad (Z_{v,\xi})_{\mathfrak{p}'_{\bar{k}}}(0) = \begin{cases} \frac{2\sqrt{\varepsilon}k_0br(x) \sin(\sqrt{\varepsilon}k_0br(x))}{\cos^3(\sqrt{\varepsilon}k_0br(x))} (\tau_x^{-1}(\text{grad } r)_x)_{\mathfrak{p}'_{\bar{k}}} & (\bar{k} = k_0) \\ 0 & (\bar{k} \neq k_0) \end{cases}$$

and

$$(2.23) \quad (Z_{v,\xi})_{\mathfrak{p}'_{\bar{k}}^\perp}(0) = 0.$$

Also, since $Z_{v,\xi}$ satisfies (2.7), we have

$$(2.24) \quad (Z_{v,\xi})'_{\mathfrak{p}'_{\bar{k}}}(0) = 0$$

and

$$(2.25) \quad (Z_{v,\xi})'_{\mathfrak{p}'_{\bar{k}}^\perp}(0) = 0.$$

By solving (2.20) under the initial conditions (2.22) and (2.24), we can derive

$$(2.26) \quad (Z_{v,\xi})_{\mathbf{p}'_{\bar{k}}}(s) = \begin{cases} \pm \frac{1}{4} \left(\frac{\cos(s\sqrt{\varepsilon}k_0br(x)) \cos(s\sqrt{\varepsilon}kbr(x))}{k_0k(\sqrt{\varepsilon}br(x))^2} + \frac{s \sin(s\sqrt{\varepsilon}(k_0 \pm k)br(x))}{\sqrt{\varepsilon}(k_0 \pm k)br(x)} - \frac{\cos(s\sqrt{\varepsilon}(k_0 \pm k)br(x))}{k_0k(|\sqrt{\varepsilon}br(x)|^2)} \right) (\mathbf{C}_{v,\xi}^1)_{\mathbf{p}'_{|k_0 \pm k|}} & (\bar{k} = |k_0 \pm k| \neq 0) \\ \pm \frac{1}{4} \left(\frac{\cos(s\sqrt{\varepsilon}k_0br(x)) \cos(s\sqrt{\varepsilon}kbr(x))}{k_0k(\sqrt{\varepsilon}br(x))^2} - \frac{s \sin(s\sqrt{\varepsilon}(k_0 \pm k)br(x))}{\sqrt{\varepsilon}(k_0 \pm k)br(x)} - \frac{\cos(s\sqrt{\varepsilon}(k_0 \pm k)br(x))}{k_0k(|\sqrt{\varepsilon}br(x)|^2)} \right) (\mathbf{C}_{v,\xi}^2)_{\mathbf{p}'_{|k_0 \pm k|}} & (\bar{k} = |k_0 - k| = 0) \\ \pm \frac{\sin(s\sqrt{\varepsilon}k_0br(x)) \sin(s\sqrt{\varepsilon}kbr(x))}{\sqrt{\varepsilon}(k_0 \pm k)br(x)} (\mathbf{C}_{v,\xi}^1)_{\mathbf{p}'_0} - \frac{s \sin(s\sqrt{\varepsilon}(k_0 \pm k)br(x))}{\sqrt{\varepsilon}(k_0 \pm k)br(x)} (\mathbf{C}_{v,\xi}^2)_{\mathbf{p}'_0} & (\bar{k} = |k_0 - k| = 0) \\ \frac{2\sqrt{\varepsilon}k_0br(x) \sin(\sqrt{\varepsilon}k_0br(x)) \cos(s\sqrt{\varepsilon}kbr(x))}{\cos^3(\sqrt{\varepsilon}(k_0 \pm k)br(x))} & (\bar{k} = k_0) \\ \times \tau_x^{-1}((\text{grad } r)_x) & \\ 0 & (\bar{k} \neq k_0, |k_0 \pm k|). \end{cases}$$

Also, by solving (2.21) under the initial conditions (2.23) and (2.25), we can derive

$$(2.27) \quad (Z_{v,\xi})_{\mathbf{p}'_{\frac{1}{\bar{k}}}} \equiv 0.$$

According to Lemma 3.2 in [Ko1], we have

$$(2.28) \quad N_\xi = \frac{\cos(\sqrt{\varepsilon}k_0br(x)) \|\xi\| \tau_{\gamma_\xi}(\xi) - \tau_{\gamma_\xi}((\text{grad } r)_x)}{\sqrt{\cos^2(\sqrt{\varepsilon}k_0br(x)) + \|(\text{grad } r)_x\|^2}}$$

Also, according to (2.26), $(Z_{v,\xi})_{\mathbf{p}'}(s)$ is described as

$$(Z_{v,\xi})_{\mathbf{p}'}(s) = \sum_{i=1}^2 \left(a_{v,\xi}^{i,+}(s) (\mathbf{C}_{v,\xi}^i)_{\mathbf{p}'_{k_0+k}} + a_{v,\xi}^{i,-}(s) (\mathbf{C}_{v,\xi}^i)_{\mathbf{p}'_{|k_0-k|}} \right) + \bar{a}_{v,\xi}(s) \tau_x^{-1}((\text{grad } r)_x)$$

in terms of some explicitly described functions $a_{v,\xi}^{i,\pm}$ ($i = 1, 2$). From (2.26), (2.27), (2.28) and the definitions of $\mathbf{C}_{v,\xi}^i$ ($i = 1, 2$), we can derive

$$\begin{aligned}
& (\tau_{\gamma_\xi} \circ \tau_x)((Z_{v,\xi})(1))_T \\
&= (\tau_{\gamma_\xi} \circ \tau_x)((Z_{v,\xi})_{\mathbf{p}'(1)}) - \bar{g}((\tau_{\gamma_\xi} \circ \tau_x)((Z_{v,\xi})_{\mathbf{p}'(1)}), N_\xi)N_\xi \\
(2.29) \quad &= \sum_{i=1}^2 (\tau_{\gamma_\xi} \circ \tau_x) \left(a_{v,\xi}^{i,+}(1)(\mathbf{C}_{v,\xi}^i)_{\mathbf{p}'_{k_0+k}} + a_{v,\xi}^{i,-}(1)(\mathbf{C}_{v,\xi}^i)_{\mathbf{p}'_{|k_0-k|}} \right) \\
& \quad + \frac{\bar{a}_{v,\xi}(1) \cos(\sqrt{\varepsilon}k_0br(x))}{\cos^2(\sqrt{\varepsilon}k_0br(x)) + \|(\text{grad } r)_x\|^2} \\
& \quad \times \tau_{\gamma_\xi} \left(\cos(\sqrt{\varepsilon}k_0br(x))(\text{grad } r)_x + \frac{\|(\text{grad } r)_x\|^2}{r(x)}\xi \right),
\end{aligned}$$

where we use

$$\begin{aligned}
(2.30) \quad & \bar{g}([\tau_x^{-1}\xi, \tau_x^{-1}((\text{grad } r)_x)], \tau_x^{-1}(v)], \tau_x^{-1}\xi) \\
&= \bar{g}(\text{ad}(\tau_x^{-1}\xi)^2(\tau_x^{-1}((\text{grad } r)_x)), \tau_x^{-1}(v)) = 0
\end{aligned}$$

and

$$\begin{aligned}
(2.31) \quad & \bar{g}([\tau_x^{-1}\xi, \tau_x^{-1}(v)], \tau_x^{-1}((\text{grad } r)_x)], \tau_x^{-1}\xi) \\
&= \bar{g}(\text{ad}(\tau_x^{-1}\xi)^2(\tau_x^{-1}((\text{grad } r)_x)), \tau_x^{-1}(v)) = 0.
\end{aligned}$$

From (2.3), (2.4) and (2.29), we can derive the following relations:

$$\begin{aligned}
(2.32) \quad Av &= \frac{\cos(\sqrt{\varepsilon}k_0br(x))}{\sqrt{\cos^2(\sqrt{\varepsilon}k_0br(x)) + \|(\text{grad } r)_x\|^2}} \left\{ \frac{\sqrt{\varepsilon}kb}{\tan(\sqrt{\varepsilon}kbr(x))}v \right. \\
& \quad + \sum_{i=1}^2 \left(\frac{a_{v,\xi}^{i,+}(1)}{\cos(\sqrt{\varepsilon}(k_0+k)br(x))} (\tau_x(\widetilde{(\mathbf{C}_{v,\xi}^i)_{\mathbf{p}'_{k_0+k}})})_\xi \right. \\
& \quad \left. \left. + \frac{a_{v,\xi}^{i,-}(1)}{\cos(\sqrt{\varepsilon}(k_0-k)br(x))} (\tau_x(\widetilde{(\mathbf{C}_{v,\xi}^i)_{\mathbf{p}'_{|k_0-k|}})})_\xi \right) \right. \\
& \quad \left. + \frac{\bar{a}_{v,\xi}(1) \cos(\sqrt{\varepsilon}k_0br(x))}{\cos^2(\sqrt{\varepsilon}k_0br(x)) + \|(\text{grad } r)_x\|^2} ((\widetilde{(\text{grad } r)_x})_\xi) \right\}.
\end{aligned}$$

Next we shall calculate $Z_{X,\xi}X$. Since $Z_{X,\xi}$ satisfies (2.9), it follows from the relations in (2.17) that

$$(2.33) \quad (Z_{X,\xi})''_{\mathbf{p}'_{\bar{k}}}(s) = \begin{cases} -(\sqrt{\varepsilon}k_0br(x))^2(Z_{X,\xi})_{\mathbf{p}'_{k_0}}(s) & (\bar{k} = k_0) \\ + \cos(s\sqrt{\varepsilon}k_0br(x))\mathbf{C}_{X,\xi}^1 & \\ -(\sqrt{\varepsilon}\bar{k}br(x))^2(Z_{X,\xi})_{\mathbf{p}'_{\bar{k}}}(s) & (\bar{k} \neq k_0) \end{cases}$$

and

$$(2.34) \quad (Z_{X,\xi})''_{\mathfrak{p}'_{\bar{k}}}(s) = \begin{cases} \begin{aligned} & -(\sqrt{\varepsilon}\bar{k}br(x))^2(Z_{X,\xi})_{\mathfrak{p}'_{\bar{k}}}(s) \\ & \pm \sin(s\sqrt{\varepsilon}kbr(x)) \cos(s\sqrt{\varepsilon}k_0br(x))(\mathbf{C}_{X,\xi}^2)_{\mathfrak{p}'_{|k_0 \pm k|}} \\ & + \sin(s\sqrt{\varepsilon}k_0br(x)) \cos(s\sqrt{\varepsilon}kbr(x))(\mathbf{C}_{X,\xi}^3)_{\mathfrak{p}'_{|k_0 \pm k|}} \end{aligned} & (\bar{k} = |k_0 \pm k|) \\ -(\sqrt{\varepsilon}\bar{k}br(x))^2(Z_{X,\xi})_{\mathfrak{p}'_{\bar{k}}}(s) & (\bar{k} \neq |k_0 \pm k|), \end{cases}$$

where $\mathbf{C}_{X,\xi}^i$ ($i = 1, 2, 3$) are given by

$$\begin{aligned} \mathbf{C}_{X,\xi}^1 &:= -\frac{2(Xr)(\sqrt{\varepsilon}k_0b)^2r(x)}{\cos^2(\sqrt{\varepsilon}k_0br(x))} \tau_x^{-1}((\text{grad } r)_x) \quad (\in \mathfrak{p}'_{k_0}), \\ \mathbf{C}_{X,\xi}^2 &:= \frac{2\sqrt{\varepsilon}kbr(x)}{\cos^2(\sqrt{\varepsilon}k_0br(x))} [[\tau_x^{-1}\xi, \tau_x^{-1}(\text{grad } r)_x], \tau_x^{-1}X] \end{aligned}$$

and

$$\mathbf{C}_{X,\xi}^3 := \frac{2\sqrt{\varepsilon}k_0br(x)}{\cos^2(\sqrt{\varepsilon}k_0br(x))} [[\tau_x^{-1}\xi, \tau_x^{-1}X], \tau_x^{-1}(\text{grad } r)_x].$$

Note that $\mathbf{C}_{X,\xi}^2$ and $\mathbf{C}_{X,\xi}^3$ belong to $\mathfrak{p}'_{k_0+k} + \mathfrak{p}'_{|k_0-k|}$ because of $[[\mathfrak{p}_0, \mathfrak{p}_{k_0}], \mathfrak{p}_k]$, $[[\mathfrak{p}_0, \mathfrak{p}_{k_0}], \mathfrak{p}_k] \in \mathfrak{p}_{k_0+k} + \mathfrak{p}_{|k_0-k|}$ and (2.17). Also, since $Z_{X,\xi}$ satisfies (2.10), it follows from (2.16) that

$$(2.35) \quad (Z_{X,\xi})_{\mathfrak{p}'_{\bar{k}}}(0) = (\tau_x^{-1}(\nabla^F)_{\tilde{X}_\xi} \pi|_M ((D^{co})^{-2} \text{grad } r))_{\mathfrak{p}'_{\bar{k}}} = \begin{cases} \begin{aligned} & \frac{2\sqrt{\varepsilon}k_0b(Xr) \sin(\sqrt{\varepsilon}k_0br(x))}{\cos^3(\sqrt{\varepsilon}k_0br(x))} \tau_x^{-1}((\text{grad } r)_x) \\ & + \frac{1}{\cos^2(\sqrt{\varepsilon}k_0br(x))} (\tau_x^{-1}(\nabla_X^F \text{grad } r))_{\mathfrak{p}'_{k_0}} \end{aligned} & (\bar{k} = k_0) \\ \frac{1}{\cos^2(\sqrt{\varepsilon}k_0br(x))} (\tau_x^{-1}(\nabla_X^F \text{grad } r))_{\mathfrak{p}'_{\bar{k}}} & (\bar{k} \neq k_0) \end{cases}$$

and

$$(2.36) \quad (Z_{X,\xi})_{\mathfrak{p}'_{\bar{k}}}(0) = 0.$$

Furthermore, since $Z'_{X,\xi}(0)$ satisfies (2.10), it follows from the third relation in (2.16) that

$$(2.37) \quad (Z_{X,\xi})'_{\mathfrak{p}'_{\bar{k}}}(0) = 0$$

and

$$(2.38) \quad (Z_{X,\xi})'_{\mathbf{p}'_{\bar{k}}} (0) = \begin{cases} -\frac{1}{2\sqrt{\varepsilon}k_0br(x)} (\mathbf{C}_{X,\xi}^3)_{\mathbf{p}'_{|k_0 \pm k|}} & (\bar{k} = |k_0 \pm k|) \\ 0 & (\bar{k} \neq |k_0 \pm k|). \end{cases}$$

By solving (2.33) under the initial conditions (2.35) and (2.37), we can derive

$$(2.39) \quad (Z_{X,\xi})_{\mathbf{p}'_{\bar{k}}} (s) = \begin{cases} \begin{aligned} & \frac{2\sqrt{\varepsilon}k_0b(Xr) \sin(\sqrt{\varepsilon}k_0br(x))}{\cos^3(\sqrt{\varepsilon}k_0br(x))} \\ & \times \cos(s\sqrt{\varepsilon}k_0br(x)) \tau_x^{-1}((\text{grad } r)_x) \\ & + \frac{\cos(s\sqrt{\varepsilon}k_0br(x))}{\cos^2(\sqrt{\varepsilon}k_0br(x))} (\tau_x^{-1}(\nabla_X^F \text{grad } r))_{\mathbf{p}'_{k_0}} \\ & + \frac{s \sin(s\sqrt{\varepsilon}k_0br(x))}{2\sqrt{\varepsilon}k_0br(x)} \mathbf{C}_{X,\xi}^1 \end{aligned} & (\bar{k} = k_0) \\ \frac{\cos(s\sqrt{\varepsilon}\bar{k}br(x))}{\cos^2(\sqrt{\varepsilon}k_0br(x))} (\tau_x^{-1}(\nabla_X^F \text{grad } r))_{\mathbf{p}'_{\bar{k}}} & (\bar{k} \neq k_0) \end{cases}$$

Also, by solving (2.34) under the initial conditions (2.36) and (2.38), we can derive

$$(2.40) \quad (Z_{X,\xi})_{\mathbf{p}'_{\bar{k}}} (s) = \begin{cases} \begin{aligned} & -\frac{1}{4} \left(\frac{\sin(s\sqrt{\varepsilon}k_0br(x)) \cos(s\sqrt{\varepsilon}kbr(x))}{\pm k_0k(\sqrt{\varepsilon}br(x))^2} \right. \\ & \left. + \frac{s \cos(s\sqrt{\varepsilon}(k_0 \pm k)br(x))}{|k_0 \pm k|\sqrt{\varepsilon}br(x)} \right) (\mathbf{C}_{X,\xi}^2)_{\mathbf{p}'_{|k_0 \pm k|}} \\ & -\frac{1}{4} \left(\frac{\sin(s\sqrt{\varepsilon}kbr(x)) \cos(s\sqrt{\varepsilon}k_0br(x))}{k_0k(\sqrt{\varepsilon}br(x))^2} \right. \\ & \left. + \frac{s \cos(s\sqrt{\varepsilon}(k_0 + k)br(x))}{|k_0 \pm k|\sqrt{\varepsilon}br(x)} \right) (\mathbf{C}_{X,\xi}^3)_{\mathbf{p}'_{|k_0 \pm k|}} \\ & -\frac{\sin(s\sqrt{\varepsilon}|k_0 \pm k|br(x))}{2(\sqrt{\varepsilon}br(x))^2 k_0 |k_0 \pm k|} (\mathbf{C}_{X,\xi}^3)_{\mathbf{p}'_{|k_0 \pm k|}} \end{aligned} & (\bar{k} = |k_0 \pm k| \neq 0) \\ \begin{aligned} & -\frac{1}{2} \left(\frac{\sin(s\sqrt{\varepsilon}k_0br(x)) \cos(s\sqrt{\varepsilon}k_0br(x))}{(\sqrt{\varepsilon}k_0br(x))^2} \right. \\ & \left. + \frac{s}{\sqrt{\varepsilon}k_0br(x)} \right) (\mathbf{C}_{X,\xi}^2)_{\mathbf{p}'_0} & (\bar{k} = |k_0 - k| = 0) \\ 0 & (\bar{k} \neq |k_0 \pm k|). \end{aligned} \end{cases}$$

On the other hand, according to Lemma 3.3 in [Ko1], we have

$$\begin{aligned} & ((\tau_{\gamma_\xi} \circ \tau_x)((Z_{X,\xi})_{\mathbf{p}'(1)}))_T \\ &= ((D_\xi^{co})^{-1}(\tau_x(Z_{X,\xi})_{\mathbf{p}'(1)}))_\xi \\ & \quad - \frac{((D_\xi^{co})^{-1}(\tau_x(Z_{X,\xi})_{\mathbf{p}'(1)}))r}{1 + \|(D_\xi^{co})^{-1}(\text{grad } r)_x\|^2} ((D_\xi^{co})^{-2}(\text{grad } r)_x)_\xi. \end{aligned}$$

From this relation, (2.3) and (2.39), we obtain

$$\begin{aligned} & ((\tau_{\gamma_\xi} \circ \tau_x)((Z_{X,\xi})_{\mathbf{p}'(1)}))_T \\ &= \frac{2\sqrt{\varepsilon}k_0b \tan(\sqrt{\varepsilon}k_0br(x)) \cdot (Xr)}{\cos^2(\sqrt{\varepsilon}k_0br(x)) + \|(\text{grad } r)_x\|^2} ((\text{grad } r)_x)_\xi \\ (2.41) \quad & - \frac{g_F(\nabla_X^F \text{grad } r, (\text{grad } r)_x)}{(\cos^2(\sqrt{\varepsilon}k_0br(x)) + \|(\text{grad } r)_x\|^2) \cos^2(\sqrt{\varepsilon}k_0br(x))} ((\text{grad } r)_x)_\xi \\ & + \frac{1}{\cos^2(\sqrt{\varepsilon}k_0br(x))} (\nabla_X^F \text{grad } r)_\xi. \end{aligned}$$

According to Lemma 3.2 in [Ko1], we have

$$(2.42) \quad N_\xi = \frac{\cos(\sqrt{\varepsilon}k_0br(x)) \|\xi\|^{-1} \tau_{\gamma_\xi}(\xi) - \tau_{\gamma_\xi}((\text{grad } r)_x)}{\sqrt{\cos^2(\sqrt{\varepsilon}k_0br(x)) + \|(\text{grad } r)_x\|^2}}$$

Also, according to (2.40), $(Z_{X,\xi})_{\mathbf{p}'^\perp}(s)$ is described as

$$(2.43) \quad (Z_{X,\xi})_{\mathbf{p}'^\perp}(s) = \sum_{i=2}^3 \left(a_{X,\xi}^{i,+}(s) (\mathbf{C}_{X,\xi}^i)_{\mathbf{p}'_{k_0+k}^\perp} + a_{X,\xi}^{i,-}(s) (\mathbf{C}_{X,\xi}^i)_{\mathbf{p}'_{|k_0-k|}^\perp} \right)$$

in terms of some explicitly described functions $a_{X,\xi}^{i,\pm}$ ($i = 2, 3$). From (2.42), (2.43) and the definitions of $\mathbf{C}_{X,\xi}^i$ ($i = 1, 2$), we can derive

$$\begin{aligned} & ((\tau_{\gamma_\xi} \circ \tau_x)((Z_{X,\xi})_{\mathbf{p}'^\perp(1)}))_T \\ &= (\tau_{\gamma_\xi} \circ \tau_x)((Z_{X,\xi})_{\mathbf{p}'^\perp(1)}) - \bar{g}((\tau_{\gamma_\xi} \circ \tau_x)((Z_{X,\xi})_{\mathbf{p}'^\perp(1)}), N_\xi) N_\xi \\ &= \sum_{i=2}^3 (\tau_{\gamma_\xi} \circ \tau_x) \left(a_{X,\xi}^{i,+}(1) (\mathbf{C}_{X,\xi}^i)_{\mathbf{p}'_{k_0+k}^\perp} + a_{X,\xi}^{i,-}(1) (\mathbf{C}_{X,\xi}^i)_{\mathbf{p}'_{|k_0-k|}^\perp} \right) \\ (2.44) \quad & + \frac{(\sqrt{\varepsilon}k_0br(x))^2 \cos(\sqrt{\varepsilon}k_0br(x)) (Xr)}{\cos^2(\sqrt{\varepsilon}k_0br(x)) + \|(\text{grad } r)_x\|^2} \\ & \quad \times \left(\frac{2a_{X,\xi}^{2,-}(1) \sqrt{\varepsilon}kb}{\cos^2(\sqrt{\varepsilon}k_0br(x))} + \frac{2a_{X,\xi}^{3,-}(1) \sqrt{\varepsilon}k_0b}{\cos^2(\sqrt{\varepsilon}k_0br(x))} \right) \\ & \quad \times \left(\frac{\cos(\sqrt{\varepsilon}k_0br(x))}{r(x)} \tau_{\gamma_\xi}(\xi) - \tau_{\gamma_\xi}((\text{grad } r)_x) \right), \end{aligned}$$

where we use

$$(2.45) \quad \bar{g}([\tau_x^{-1}\xi, \tau_x^{-1}((\text{grad } r)_x)], \tau_x^{-1}(X)]_{\mathfrak{p}'_{k_0+k}^\perp}, \tau_x^{-1}\xi) = 0,$$

$$(2.46) \quad \begin{aligned} & \bar{g}([\tau_x^{-1}\xi, \tau_x^{-1}((\text{grad } r)_x)], \tau_x^{-1}(X)]_{\mathfrak{p}'_{|k_0-k|}^\perp}, \tau_x^{-1}\xi) \\ &= \bar{g}(\text{ad}(\tau_x^{-1}\xi)^2(\tau_x^{-1}((\text{grad } r)_x)), \tau_x^{-1}(X)) \\ &= -(\sqrt{\varepsilon}k_0br(x))^2(Xr), \end{aligned}$$

$$(2.47) \quad \bar{g}([\tau_x^{-1}\xi, \tau_x^{-1}(X)], \tau_x^{-1}((\text{grad } r)_x)]_{\mathfrak{p}'_{k_0+k}^\perp}, \tau_x^{-1}\xi) = 0$$

and

$$(2.48) \quad \begin{aligned} & \bar{g}([\tau_x^{-1}\xi, \tau_x^{-1}(X)], \tau_x^{-1}((\text{grad } r)_x)]_{\mathfrak{p}'_{|k_0-k|}^\perp}, \tau_x^{-1}\xi) \\ &= \bar{g}(\text{ad}(\tau_x^{-1}\xi)^2(\tau_x^{-1}((\text{grad } r)_x)), \tau_x^{-1}(X)) \\ &= -(\sqrt{\varepsilon}k_0br(x))^2(Xr). \end{aligned}$$

From (2.2), (2.8), (2.41) and (2.44), we can derive the following relations:

$$(2.49) \quad \begin{aligned} A\tilde{X}_\xi &= -\frac{\sqrt{\varepsilon}kb \tan(\sqrt{\varepsilon}kbr(x)) \cos(\sqrt{\varepsilon}k_0br(x))}{\sqrt{\cos^2(\sqrt{\varepsilon}k_0br(x)) + \|(\text{grad } r)_x\|^2}} \tilde{X}_\xi \\ &\quad - \frac{(Xr)\sqrt{\varepsilon}kb \tan(\sqrt{\varepsilon}kbr(x)) \cos(\sqrt{\varepsilon}k_0br(x))}{(\cos^2(\sqrt{\varepsilon}k_0br(x)) + \|(\text{grad } r)_x\|^2)^{3/2}} (\widetilde{(\text{grad } r)_x})_\xi \\ &\quad + \frac{1}{\sqrt{\cos^2(\sqrt{\varepsilon}k_0br(x)) + \|(\text{grad } r)_x\|^2}} \\ &\quad \times \left\{ \frac{g_F(\nabla_X^F \text{grad } r, (\text{grad } r)_x)((\text{grad } r)_x)_\xi}{(\cos^2(\sqrt{\varepsilon}k_0br(x)) + \|(\text{grad } r)_x\|^2) \cos^2(\sqrt{\varepsilon}k_0br(x))} \right. \\ &\quad - \frac{1}{\cos^2(\sqrt{\varepsilon}k_0br(x))} (\nabla_X^F \widetilde{\text{grad } r})_\xi \\ &\quad - \sum_{i=2}^3 \left(\frac{a_{X,\xi}^{i,+}(1)\sqrt{\varepsilon}(k_0+k)br(x)}{\sin(\sqrt{\varepsilon}(k_0+k)br(x))} \tau_x((\mathbf{C}_{X,\xi}^i)_{\mathfrak{p}'_{k_0+k}^\perp}) \right. \\ &\quad \left. + \frac{a_{X,\xi}^{i,-}(1)\sqrt{\varepsilon}(k_0-k)br(x)}{\sin(\sqrt{\varepsilon}(k_0-k)br(x))} \tau_x((\mathbf{C}_{X,\xi}^i)_{\mathfrak{p}'_{|k_0-k|}^\perp}) \right) \\ &\quad - \frac{(\sqrt{\varepsilon}k_0br(x))^2 \cos(\sqrt{\varepsilon}k_0br(x))(Xr)}{\cos^2(\sqrt{\varepsilon}k_0br(x)) + \|(\text{grad } r)_x\|^2} \\ &\quad \times \left(\frac{2a_{X,\xi}^{2,-}(1)\sqrt{\varepsilon}kb}{\cos^2(\sqrt{\varepsilon}k_0br(x))} + \frac{2a_{X,\xi}^{3,-}(1)\sqrt{\varepsilon}k_0b}{\cos^2(\sqrt{\varepsilon}k_0br(x))} \right) \\ &\quad \left. \times \left(\frac{\cos(\sqrt{\varepsilon}k_0br(x))}{r(x)} \tau_{\gamma_\xi}(\xi) - \frac{\sqrt{\varepsilon}k_0br(x)}{\sin(\sqrt{\varepsilon}k_0br(x))} ((\text{grad } r)_x) \right) \right\}. \end{aligned}$$

Set $m^V := \dim \mathcal{V}$, $m^H := \dim \mathcal{H}$, $m_k^V := \dim(\mathfrak{p}_{k\beta} \cap \mathfrak{p}'^\perp)$ ($k = 1, 2$) and $m_k^H := \dim(\mathfrak{p}_{k\beta} \cap \mathfrak{p}')$ ($k = 0, 1, 2$).

From (2.32) and (2.49), we obtain the following description of the mean curvature vector H .

Proposition 2.1. *Under the assumption of $\tau_x^{-1}((\text{grad } r)_x) \in \mathfrak{p}_{k_0\beta} \cap \mathfrak{p}'$, the mean curvature H_ξ of M at ξ is described as*

$$(2.50) \quad H_\xi = \frac{\cos(\sqrt{\varepsilon}k_0br(x))}{\sqrt{\cos^2(\sqrt{\varepsilon}k_0br(x)) + \|(\text{grad } r)_x\|^2}} \\ \times \left\{ \sum_{k=1}^2 \frac{m_k^V \sqrt{\varepsilon}kb}{\tan(\sqrt{\varepsilon}kbr(x))} - \sum_{k \in \mathcal{K}} m_k^H \sqrt{\varepsilon}kb \tan(\sqrt{\varepsilon}kbr(x)) - \frac{(\Delta_F r)(x)}{\cos^2(\sqrt{\varepsilon}k_0br(x))} \right. \\ \left. - \frac{\|(\text{grad } r)_x\|^2 \sqrt{\varepsilon}k_0b \tan(\sqrt{\varepsilon}k_0br(x))}{\cos^2(\sqrt{\varepsilon}k_0br(x)) + \|(\text{grad } r)_x\|^2} \right. \\ \left. + \frac{(\nabla^F dr)_x((\text{grad } r)_x, (\text{grad } r)_x)}{\cos^2(\sqrt{\varepsilon}k_0br(x))(\cos^2(\sqrt{\varepsilon}k_0br(x)) + \|(\text{grad } r)_x\|^2)} \right\}.$$

Proof. Let $(e_1 \cdots e_{m^H})$ be an orthonormal tangent frame of B at x , where we take e_1 as $e_1 = (\text{grad } r_t)_{\bar{c}_t(x_0)} / \|(\text{grad } r_t)_{\bar{c}_t(x_0)}\|$ in the case of $(\text{grad } r_t)_{\bar{c}_t(x_0)} \neq 0$. Also, let $(\hat{e}_1, \dots, \hat{e}_{m^V})$ be an orthonormal base of \mathcal{V}_ξ . Then we have

$$H_\xi = \sum_{i=1}^{m^V} \frac{g(A\hat{e}_i, \hat{e}_i)}{\|\hat{e}_i\|^2} + \sum_{i=1}^{m^H} \frac{g(A(\tilde{e}_i)_\xi, (\tilde{e}_i)_\xi)}{\|(\tilde{e}_i)_\xi\|^2}.$$

By substituting (2.32) and (2.49) into this relation and using (2.3), we obtain the desired relation, where we note that the following relation holds:

$$(2.51) \quad \sum_{i=1}^{m^H} \frac{\tilde{g}(\widetilde{(\nabla_{\tilde{e}_i}^F \text{grad } r)}_\xi, (\tilde{e}_i)_\xi)}{\|(\tilde{e}_i)_\xi\|^2} = (\Delta_F r)(x).$$

q.e.d.

3 The volume element of a tube over a reflective submanifold

We shall use the notations in Introduction and the previous section. In this section, we shall calculate the volume element of M . First we recall the description of the

Jacobi field in a symmetric space \overline{M} . The Jacobi field J along the geodesic γ in \overline{M} is described as

$$(3.1) \quad J(t) = \tau_{\gamma|_{[0,t]}} \left(D_{t\gamma'(0)}^{co}(J(0)) + tD_{t\gamma'(0)}^{si}(J'(0)) \right).$$

Let r_F be as in Introduction. By using (3.1), we can derive

$$r_{co}(\gamma) = \begin{cases} \frac{\pi}{2\sqrt{\varepsilon}b} & (\text{when } m_2^V \neq 0) \\ \frac{\pi}{\sqrt{\varepsilon}b} & (\text{when } m_2^V = 0) \end{cases}$$

and

$$r_{fo}(\gamma) = \min \left\{ \frac{\pi}{2\sqrt{\varepsilon}kb} \mid k \in \mathcal{K} \right\}.$$

Hence we obtain

$$(3.2) \quad r_F = \begin{cases} \min \left\{ \frac{\pi}{2\sqrt{\varepsilon}kb} \mid k \in \mathcal{K} \cup \{1\} \right\} & (\text{when } m_2^V \neq 0) \\ \min \left\{ \frac{\pi}{2\sqrt{\varepsilon}kb} \mid k \in \mathcal{K} \cup \left\{ \frac{1}{2} \right\} \right\} & (\text{when } m_2^V = 0). \end{cases}$$

Fix $\xi \in M \cap T_x^\perp B$ and $X \in T_x B$. Without loss of generality, we may assume that $\tau_x^{-1}\xi \in \mathfrak{b}$. By the assumption (C2), we may assume that $\tau_x^{-1}((\text{grad } r)_x) \in \mathfrak{p}_{k_0\beta} \cap \mathfrak{p}'$ for some $k_0 \in \mathcal{K} \cup \{0\}$. Let $\tilde{S}(x, r(x))$ be the hypersphere of radius $r(x)$ in $T_x^\perp B$ centered the origin and $S(x, r(x))$ the geodesic hypersphere of radius $r(x)$ in $F_x^\perp := \exp^\perp(T_x^\perp B)$ centered x . Denote by $dv_{(\cdot)}$ the volume element of the induced metric on (\cdot) . Take $v \in T_\xi \tilde{S}(x, r(x))$. Define a function ψ_r over B by

$$(3.3) \quad \psi_r(x) := \left(\prod_{k=1}^2 \left(\frac{\sin(\sqrt{\varepsilon}kbr(x))}{\sqrt{\varepsilon}kb} \right)^{m_k^V} \right) \left(\prod_{k \in \mathcal{K} \setminus \{k_0\}} \cos^{m_k^H}(\sqrt{\varepsilon}kbr(x)) \right) \\ \times \cos^{m_{k_0}^H - 1}(\sqrt{\varepsilon}k_0br(x)) \sqrt{\cos^2(\sqrt{\varepsilon}k_0br(x)) + \|(\text{grad } r)_x\|^2}.$$

We have $r < r_F$ because $\exp^\perp|_{t_r(B)}$ is not an immersion when $r(x) = r_F$ for some $x \in B$. Hence ψ_r is positive by (3.2). Define a function ρ_r over B by

$$(3.4) \quad \rho_r(x) := \frac{\cos(\sqrt{\varepsilon}k_0br(x))}{\sqrt{\cos^2(\sqrt{\varepsilon}k_0br(x)) + \|(\text{grad } r)_x\|^2}} \\ \times \left(\sum_{k=1}^2 \frac{m_k^V \sqrt{\varepsilon}kb}{\tan(\sqrt{\varepsilon}kbr(x))} - \sum_{k \in \mathcal{K}} m_k^H \sqrt{\varepsilon}kb \tan(\sqrt{\varepsilon}kbr(x)) \right) \\ + \frac{\|(\text{grad } r)_x\|^2 \sqrt{\varepsilon}k_0b \tan(\sqrt{\varepsilon}k_0br(x))}{\cos^2(\sqrt{\varepsilon}k_0br(x)) + \|(\text{grad } r)_x\|^2}.$$

According to (2.50), we have

$$(3.5) \quad H_\xi = \rho_r(x) - \frac{(\Delta_F r)(x)}{\cos(\sqrt{\varepsilon}k_0 br(x))\sqrt{\cos^2(\sqrt{\varepsilon}k_0 br(x)) + \|(\text{grad } r)_x\|^2}} + \frac{(\nabla^F dr)_x((\text{grad } r)_x, (\text{grad } r)_x)}{\cos(\sqrt{\varepsilon}k_0 br(x))(\cos^2(\sqrt{\varepsilon}k_0 br(x)) + \|(\text{grad } r)_x\|^2)^{3/2}}.$$

From (2.2) and (2.3), we can derive the following relation for the volume element of M .

Proposition 3.1. *The volume element dv_M is given by*

$$(3.6) \quad (dv_M)_\xi = \psi_r(x) \left((\exp^\perp|_{\tilde{S}(x,r(x))})^{-1} \right)^* dv_{\tilde{S}(x,r(x))} \wedge (\pi|_M)^* dv_F,$$

where $\xi \in M \cap T_x^\perp B$.

From (3.6), we can derive the following relation for the volume of M .

Proposition 3.2. *The volume $\text{Vol}(M)$ of M and the average mean curvature \overline{H} of M are given by*

$$(3.7) \quad \text{Vol}(M) = v_{m^V} \int_B r^{m^V} \psi_r dv_F$$

and

$$(3.8) \quad \overline{H} = \frac{1}{\int_B r^{m^V} \psi_r dv_F} \times \int_{x \in B} r^{m^V} \left(\rho_r(x) - \frac{(\Delta_F r)(x)}{\cos(\sqrt{\varepsilon}k_0 br(x))\sqrt{\cos^2(\sqrt{\varepsilon}k_0 br(x)) + \|(\text{grad } r)_x\|^2}} + \frac{(\nabla^F dr)_x((\text{grad } r)_x, (\text{grad } r)_x)}{\cos(\sqrt{\varepsilon}k_0 br(x))(\cos^2(\sqrt{\varepsilon}k_0 br(x)) + \|(\text{grad } r)_x\|^2)^{3/2}} \right) \psi_r dv_F,$$

respectively, where $\xi \in M \cap T_x^\perp B$ and v_{m^V} is the volume of the m^V -dimensional Euclidean unit sphere.

4 The evolution of the radius function

Let $F, B, M = t_{r_0}(B)$ and f be as in Setting (S) of Introduction. Assume that the volume-preserving mean curvature flow f_t ($t \in [0, T)$) starting from f satisfies the conditions (C1) and (C2). We use the notations in Introduction and Sections 1-3.

Denote by $S^\perp B$ the unit normal bundle of B and $S_x^\perp B$ the fibre of this bundle over $x \in B$. Define a positive-valued function $\widehat{r}_t : M \rightarrow \mathbb{R}$ ($t \in [0, T]$) and a map $w_t^1 : M \rightarrow S^\perp B$ ($t \in [0, T]$) by $f_t(\xi) = \exp^\perp(\widehat{r}_t(\xi)w_t^1(\xi))$ ($\xi \in M$). Also, define a map $c_t : M \rightarrow B$ by $c_t(\xi) := \pi(w_t^1(\xi))$ ($\xi \in M$) and a map $w_t : M \rightarrow T^\perp B$ ($t \in [0, T]$) by $w_t(\xi) := \widehat{r}_t(\xi)w_t^1(\xi)$ ($\xi \in M$). Here we note that c_t is surjective by the boundary condition in Theorem A, $\widehat{r}_0(\xi) = r_0(\pi(\xi))$ and that $c_0(\xi) = \pi(\xi)$ ($\xi \in M$). Define a function \bar{r}_t over B by $\bar{r}_t(x) := \widehat{r}_t(\xi)$ ($x \in B$) and a map $\bar{c}_t : B \rightarrow B$ by $\bar{c}_t(x) := c_t(\xi)$ ($x \in B$), where ξ is an arbitrary element of $M \cap S_x^\perp B$. It is clear that they are well-defined. This map \bar{c}_t is not necessarily a diffeomorphism. In particular, if \bar{c}_t is a diffeomorphism, then $M_t := f_t(M)$ is equal to the tube $\exp^\perp(t_{r_t}(B))$, where $r_t := \bar{r}_t \circ \bar{c}_t^{-1}$. It is easy to show that, if $c_t(\xi_1) = c_t(\xi_2)$, then $\widehat{r}_t(\xi_1) = \widehat{r}_t(\xi_2)$ and $\pi(\xi_1) = \pi(\xi_2)$ hold. Also, let $a : M \times [0, T] \rightarrow G$ be a smooth map with $a(\xi, t)p_0 = c_t(\xi)$ ($\xi, t \in M \times [0, T]$). In this section, we shall calculate the evolution equations for the functions r_t and \widehat{r}_t . Define $\tilde{f} : M \times [0, T] \rightarrow \overline{M}$, $r : B \times [0, T] \rightarrow \mathbb{R}$, $w^1 : M \times [0, T] \rightarrow M$ and $c : M \times [0, T] \rightarrow B$ by $\tilde{f}(\xi, t) := f_t(\xi)$, $r(x, t) := r_t(x)$, $w^1(\xi, t) := w_t^1(\xi)$, $w(\xi, t) := w_t(\xi)$ and $c(\xi, t) := c_t(\xi)$, respectively, where $\xi \in M, x \in B$ and $t \in [0, T]$ (see Figure 7). Fix $(\xi_0, t_0) \in M \times [0, T]$ and set $x_0 := c(\xi_0, t_0)$. According to the condition (C2), we may assume that $\tau_{x_0}^{-1}((\text{grad}r_{t_0})_{x_0})$ belong to $\mathfrak{p}_{k_0, \beta}$ for some $k_0 \in \mathcal{K} \cup \{0\}$, where \mathcal{K} and $\mathfrak{p}_{k_0, \beta}$ are the quantities defined as in Section 2 for the maximal abelian subspace $\mathfrak{b} := \text{Span}\{\tau_{x_0}^{-1}(w(\xi_0, t_0))\}$ of \mathfrak{p}'^\perp . Clearly we have

$$(4.1) \quad \tilde{f}_* \left(\frac{\partial}{\partial t} \right)_{(\xi_0, t_0)} = \frac{d}{dt} \Big|_{t=t_0} \tilde{f}(\xi_0, t) = \frac{d}{dt} \Big|_{t=t_0} \exp^\perp(w(\xi_0, t)).$$

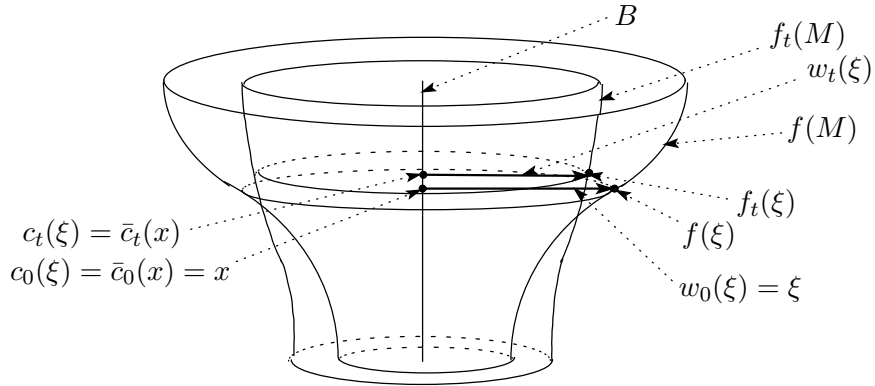


Figure 7.

Let J be the Jacobi field along the geodesic $\gamma_{w(\xi_0, t_0)}$ (of direction $w(\xi_0, t_0)$) with

$J(0) = c_* \left(\frac{\partial}{\partial t} \right)_{(\xi_0, t_0)}$ and $J'(0) = \frac{\bar{\nabla}}{\partial t} \Big|_{t=t_0} w(\xi_0, \cdot)$, where $\frac{\bar{\nabla}}{\partial t}$ is the pull-back connection of $\bar{\nabla}$ by $t \mapsto c(\xi_0, t)$. This Jacobi field J is described as

$$J(s) = \tau_{\gamma_w(\xi_0, t_0)}|_{[0, s]} \left(D_{sw(\xi_0, t_0)}^{co} \left(c_* \left(\frac{\partial}{\partial t} \right)_{(\xi_0, t_0)} \right) \right) + \tau_{\gamma_w(\xi_0, t_0)}|_{[0, s]} \left(s D_{sw(\xi_0, t_0)}^{si} \left(\frac{\bar{\nabla}}{\partial t} \Big|_{t=t_0} w(\xi_0, \cdot) \right) \right).$$

According to (4.1), we have

$$(4.2) \quad \begin{aligned} \tilde{f}_* \left(\frac{\partial}{\partial t} \right)_{(\xi_0, t_0)} &= J(1) \\ &= \tau_{\gamma_w(\xi_0, t_0)}|_{[0, 1]} \left(D_{w(\xi_0, t_0)}^{co} \left(c_* \left(\frac{\partial}{\partial t} \right)_{(\xi_0, t_0)} \right) \right) \\ &\quad + \tau_{\gamma_w(\xi_0, t_0)}|_{[0, 1]} \left(D_{w(\xi_0, t_0)}^{si} \left(\frac{\bar{\nabla}}{\partial t} \Big|_{t=t_0} w(\xi_0, \cdot) \right) \right). \end{aligned}$$

On the other hand, we have

$$(4.3) \quad \begin{aligned} &\frac{\bar{\nabla}}{\partial t} \Big|_{t=t_0} w(\xi_0, \cdot) \\ &= \frac{d\hat{r}(\xi_0, t)}{dt} \Big|_{t=t_0} w^1(\xi_0, t_0) + \hat{r}(\xi_0, t_0) \frac{\bar{\nabla}}{\partial t} \Big|_{t=t_0} w^1(\xi_0, t). \end{aligned}$$

From (4.2) and (4.3), we have

$$(4.4) \quad \begin{aligned} \tilde{f}_* \left(\frac{\partial}{\partial t} \right)_{(\xi_0, t_0)} &\equiv \frac{d\hat{r}(\xi_0, t)}{dt} \Big|_{t=t_0} \tau_{\gamma_w(\xi_0, t_0)}|_{[0, 1]}(w^1(\xi_0, t_0)) \\ &\quad (\text{mod Span}\{\tau_{\gamma_w(\xi_0, t_0)}|_{[0, 1]}(w^1(\xi_0, t_0))\}^\perp). \end{aligned}$$

Notation. Set

$$T_1 := \sup\{t' \in [0, T] \mid M_t := f_t(M) \ (0 \leq t \leq t') : \text{tubes over } B\}.$$

(Note that \bar{c}_t ($0 \leq t < T_1$) are diffeomorphisms.)

Assume that $t_0 < T_1$. According to Lemma 3.2 in [Ko1], we have

$$(4.5) \quad \begin{aligned} N_{(\xi_0, t_0)} &\equiv \frac{\cos(\sqrt{\varepsilon} k_0 b r_{t_0}(x_0))}{\sqrt{\cos^2(\sqrt{\varepsilon} k_0 b r_{t_0}(x_0)) + \|(\text{grad } r_{t_0})_{x_0}\|^2}} \\ &\quad \times \tau_{\gamma_w(\xi_0, t_0)}|_{[0, 1]}(w^1(\xi_0, t_0)) \\ &\quad (\text{mod Span}\{\tau_{\gamma_w(\xi_0, t_0)}|_{[0, 1]}(w^1(\xi_0, t_0))\}^\perp). \end{aligned}$$

From (1.1), (1.2) and (4.5), we obtain the following relation

$$\begin{aligned}
& \tilde{f}_* \left(\frac{\partial}{\partial t} \right)_{(\xi_0, t_0)} \\
& \equiv \frac{\cos(\sqrt{\varepsilon} k_0 b r_{t_0}(x_0)) (\overline{H}_{t_0} - \rho_{r_{t_0}}(x_0))}{\sqrt{\cos^2(\sqrt{\varepsilon} k_0 b r_{t_0}(x_0)) + \|(\text{grad } r_{t_0})_{x_0}\|^2}} \\
& + \frac{\cos(\sqrt{\varepsilon} k_0 b r_{t_0}(x_0))}{\sqrt{\cos^2(\sqrt{\varepsilon} k_0 b r_{t_0}(x_0)) + \|(\text{grad } r_{t_0})_{x_0}\|^2}} \\
(4.6) \quad & \times \left(\frac{(\Delta_F r_{t_0})(x_0)}{\cos(\sqrt{\varepsilon} k_0 b r_{t_0}(x_0)) \sqrt{\cos^2(\sqrt{\varepsilon} k_0 b r_{t_0}(x_0)) + \|(\text{grad } r_{t_0})_{x_0}\|^2}} \right. \\
& \left. - \frac{(\nabla^F dr_{t_0})_{x_0}((\text{grad } r_{t_0})_{x_0}, (\text{grad } r_{t_0})_{x_0})}{\cos(\sqrt{\varepsilon} k_0 b r_{t_0}(x_0)) (\cos^2(\sqrt{\varepsilon} k_0 b r_{t_0}(x_0)) + \|(\text{grad } r_{t_0})_{x_0}\|^2)^{3/2}} \right) \\
& \times \tau_{\gamma_w(\xi_0, t_0)|_{[0,1]}}(w^1(\xi_0, t_0)) \\
& \quad (\text{mod Span}\{\tau_{\gamma_w(\xi_0, t_0)|_{[0,1]}}(w^1(\xi_0, t_0))\}^\perp).
\end{aligned}$$

From (3.5), (4.4), (4.6) and the arbitrariness of (ξ_0, t_0) , we can derive the following relation:

$$\begin{aligned}
(4.7) \quad & \frac{\partial \widehat{r}}{\partial t}(\xi, t) = \frac{\partial r}{\partial t}(c(\xi, t), t) + dr_t \left(\frac{\partial c}{\partial t}(\xi, t) \right) \\
& = \frac{\cos(\sqrt{\varepsilon} k_0 b r_t(c(\xi, t))) (\overline{H}_t - \rho_{r_t}(c(\xi, t)))}{\sqrt{\cos^2(\sqrt{\varepsilon} k_0 b r_t(c(\xi, t))) + \|(\text{grad } r_t)_{c(\xi, t)}\|^2}} \\
& + \frac{\cos(\sqrt{\varepsilon} k_0 b r_t(c(\xi, t)))}{\sqrt{\cos^2(\sqrt{\varepsilon} k_0 b r_t(c(\xi, t))) + \|(\text{grad } r_t)_{c(\xi, t)}\|^2}} \\
& \times \left(\frac{(\Delta_F r_t)(c(\xi, t))}{\cos(\sqrt{\varepsilon} k_0 b r_t(c(\xi, t))) \sqrt{\cos^2(\sqrt{\varepsilon} k_0 b r_t(c(\xi, t))) + \|(\text{grad } r_t)_{c(\xi, t)}\|^2}} \right. \\
& \left. - \frac{(\nabla^F dr_t)_{c(\xi, t)}((\text{grad } r_t)_{c(\xi, t)}, (\text{grad } r_t)_{c(\xi, t)})}{\cos(\sqrt{\varepsilon} k_0 b r_t(c(\xi, t))) (\cos^2(\sqrt{\varepsilon} k_0 b r_t(c(\xi, t))) + \|(\text{grad } r_t)_{c(\xi, t)}\|^2)^{3/2}} \right)
\end{aligned}$$

$((\xi, t) \in M \times [0, T_1])$. Next we shall calculate $\frac{\partial c}{\partial t}$. Denote by D_t the closed domain surrounded by P and M_t , and \tilde{D} the maximal domain in $T^\perp B$ containing the 0-section such that $\exp^\perp|_{\tilde{D}}$ is a diffeomorphism into \overline{M} . From $c_t(\xi) =$

$(\pi \circ (\exp^\perp|_{\tilde{D}})^{-1})(f_t(\xi))$, we have

$$(4.8) \quad \begin{aligned} \frac{\partial c}{\partial t}(\xi, t) &= (\pi \circ (\exp^\perp|_{\tilde{D}})^{-1})_* \left(\frac{df_t(\xi)}{dt} \right) \\ &= (\bar{H}_t - H_{(\xi, t)})(\pi \circ (\exp^\perp|_{\tilde{D}})^{-1})_*(N_{(\xi, t)}). \end{aligned}$$

On the other hand, we have

$$(4.9) \quad \begin{aligned} N_{(\xi, t)} &= \frac{\tau_{\gamma_{w(\xi, t)}}(w^1(\xi, t) - (D_{w(\xi, t)}^{co})^{-1}(\text{grad } r_t)_{c(\xi, t)})}{\sqrt{1 + \|(D_{w(\xi, t)}^{co})^{-1}(\text{grad } r_t)_{c(\xi, t)}\|^2}} \\ &= \frac{\tau_{\gamma_{w(\xi, t)}}(\cos(\sqrt{\varepsilon}k_0br_t(c(\xi, t)))w^1(\xi, t) - (\text{grad } r_t)_{c(\xi, t)})}{\sqrt{\cos^2(\sqrt{\varepsilon}k_0br_t(c(\xi, t))) + \|(\text{grad } r_t)_{c(\xi, t)}\|^2}} \end{aligned}$$

by Lemma 3.2 in [Kol]. Let $s \mapsto J(s)$ ($0 \leq s < \infty$) be the Jacobi field along $\gamma_{w^1(\xi, t)}$ with $J(0) = (\text{grad } r_t)_{c(\xi, t)}$ and $J'(0) = 0$. Then we have

$$(\pi \circ (\exp^\perp|_{\tilde{D}})^{-1})_*(J(s)) = J(0) = (\text{grad } r_t)_{c(\xi, t)}.$$

On the other hand, according to (3.1), $J(s)$ is described as

$$\begin{aligned} J(s) &= \tau_{\gamma_{w^1(\xi, t)}|_{[0, s]}}(D_{s w^1(\xi, t)}^{co}((\text{grad } r_t)_{c(\xi, t)})) \\ &= \cos(\sqrt{\varepsilon}k_0bs)\tau_{\gamma_{w^1(\xi, t)}|_{[0, s]}}((\text{grad } r_t)_{c(\xi, t)}). \end{aligned}$$

Therefore we obtain

$$(\pi \circ (\exp^\perp|_{\tilde{D}})^{-1})_*(\tau_{\gamma_{w^1(\xi, t)}|_{[0, s]}}((\text{grad } r_t)_{c(\xi, t)})) = \frac{1}{\cos(\sqrt{\varepsilon}k_0bs)}(\text{grad } r_t)_{c(\xi, t)}.$$

Also, it is clear that $(\pi \circ (\exp^\perp|_{\tilde{D}})^{-1})_*(\tau_{\gamma_{w(\xi, t)}|_{[0, s]}}(w^1(\xi, t))) = 0$. Therefore we obtain

$$(4.10) \quad \begin{aligned} &(\pi \circ (\exp^\perp|_{\tilde{D}})^{-1})_*(N_{(\xi, t)}) \\ &= -\frac{(\text{grad } r_t)_{c(\xi, t)}}{\cos(\sqrt{\varepsilon}k_0br_t(c(\xi, t)))\sqrt{\cos^2(\sqrt{\varepsilon}k_0br_t(c(\xi, t))) + \|(\text{grad } r_t)_{c(\xi, t)}\|^2}}. \end{aligned}$$

From (4.8) and (4.10), we can derive

$$(4.11) \quad \begin{aligned} &\frac{\partial c}{\partial t}(\xi, t) \\ &= \frac{(H_{(\xi, t)} - \bar{H}_t)(\text{grad } r_t)_{c(\xi, t)}}{\cos(\sqrt{\varepsilon}k_0br_t(c(\xi, t)))\sqrt{\cos^2(\sqrt{\varepsilon}k_0br_t(c(\xi, t))) + \|(\text{grad } r_t)_{c(\xi, t)}\|^2}} \end{aligned}$$

and hence

$$(4.12) \quad \begin{aligned} & dr_t \left(\frac{\partial c}{\partial t}(\xi, t) \right) \\ &= \frac{(H_{(\xi, t)} - \overline{H}_t) \|(\text{grad } r_t)_{c(\xi, t)}\|^2}{\cos(\sqrt{\varepsilon} k_0 b r_t(c(\xi, t))) \sqrt{\cos^2(\sqrt{\varepsilon} k_0 b r_t(c(\xi, t))) + \|(\text{grad } r_t)_{c(\xi, t)}\|^2}}. \end{aligned}$$

Next we shall calculate the Laplacian $\Delta_t \widehat{r}_t$ of \widehat{r}_t with respect to the metric g_t on M induced by f_t . Let \mathcal{H}^t be the horizontal distribution on $t_{r_t}(B)$ and $\widehat{\mathcal{H}}^t$ be the distribution M with $f_{t*}(\widehat{\mathcal{H}}^t) = \exp_*^\perp(\mathcal{H}^t)$. Also, let \mathcal{V}^t be the vertical distribution on $t_{r_t}(B)$. Note that $f_{t*}(\mathcal{V}^0) = \exp_*^\perp(\mathcal{V}^t)$. For $X \in T_{c_t(\xi)}B$, denote by $\widetilde{X}_{w_t(\xi)}^t$ the natural lift of X to $w_t(\xi) \in t_{r_t}(B)$ and let \widetilde{X}_ξ^t be the element of $T_\xi M$ with $f_{t*}(\widetilde{X}_\xi^t) = \exp_*^\perp(\widetilde{X}_{w_t(\xi)}^t)$ (see Figure 8). Note that $\{\widetilde{X}_\xi^t | X \in T_{c_t(\xi)}B\} = \widehat{\mathcal{H}}_\xi^t$. Fix $x_0 \in B$ and $\xi_0 \in M \cap T_{x_0}^\perp B$. Let (e_1, \dots, e_{m^H}) be an orthonormal tangent frame of B at $\bar{c}_t(x_0) = c_t(\xi_0)$ and γ_i the geodesic in B with $\gamma_i'(0) = e_i$, where we take e_1 as $e_1 = (\text{grad } r_t)_{\bar{c}_t(x_0)} / \|(\text{grad } r_t)_{\bar{c}_t(x_0)}\|$ in the case of $(\text{grad } r_t)_{\bar{c}_t(x_0)} \neq 0$. Since $\tau_{\bar{c}_t(x_0)}^{-1}(e_1) \in \mathfrak{p}_{k_0\beta}$, we may assume that $\tau_{\bar{c}_t(x_0)}^{-1}(e_i) \in \mathfrak{p}_{k_i\beta}$ for some $k_i \in \mathcal{K}$ ($i = 1, \dots, m^H$). Note that $k_1 = k_0$. Also, let $(\widetilde{\gamma}_i)_{\xi_0}^t$ be the curve in M starting from ξ_0 such that $f_t \circ (\widetilde{\gamma}_i)_{\xi_0}^t$ is the natural lift of γ_i to M_t starting from $f_t(\xi_0)$. Set

$$(E_i^t)_s := \frac{((\widetilde{\gamma}_i)_{\xi_0}^t)'(s)}{\|((\widetilde{\gamma}_i)_{\xi_0}^t)'(s)\|} \left(= \frac{(\widetilde{\gamma}_i'(s))_{\xi_0}^t}{\|(\widetilde{\gamma}_i'(s))_{\xi_0}^t\|} \right) \quad (i = 1, \dots, m^H)$$

(see Figure 9). According to (2.3), note that $((E_1^t)_0, \dots, (E_{m^H}^t)_0)$ is an orthonormal base of the horizontal subspace $\widehat{\mathcal{H}}_{\xi_0}^t$ with respect to $(g_t)_{\xi_0}$ because we take e_1 as above. Also, let $\{E_{m^H+1}^t, \dots, E_n^t\}$ be a local orthonormal frame field (with respect to g_t) of the vertical distribution \mathcal{V} around ξ_0 . Since F is reflective and $\tau_{c(\xi_0, t)}^{-1}(e_i) \in \mathfrak{p}_{k_i\beta}$, we can show that $\widetilde{\gamma}_i^t$ is a pregeodesic in (M, g_t) . Hence we have

$$(4.13) \quad \nabla_{E_i^t}^t E_i^t = 0 \quad (i = 1, \dots, m^H).$$

Also, since \widehat{r}_t is constant along $\pi^{-1}(\bar{c}_t^{-1}(x)) \cap M$ for each $x \in B$, we have

$$(4.14) \quad E_j^t \widehat{r}_t = 0 \quad (j = m^H + 1, \dots, n)$$

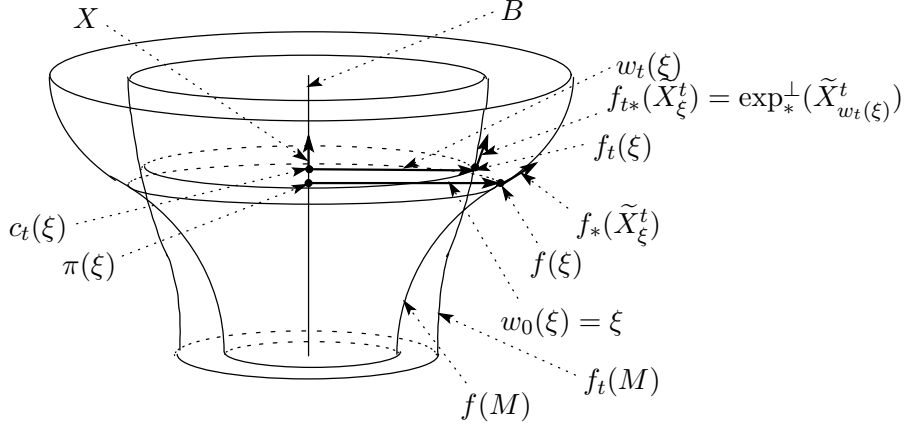


Figure 8.

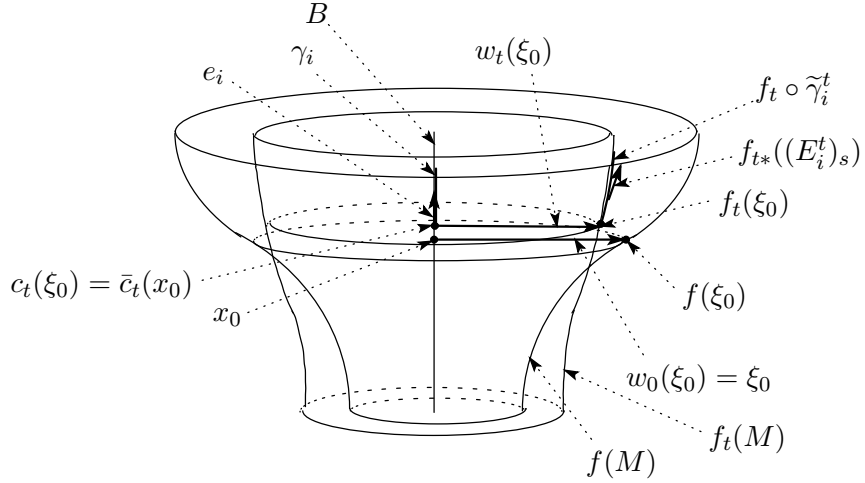


Figure 9.

From (4.13) and (4.14), we have

$$(4.15) \quad (\Delta_t \hat{r}_t)_{\xi_0} = \sum_{i=1}^n \nabla_{(E_i^t)_0}^t \nabla_{(E_i^t)_0}^t \hat{r}_t = \sum_{i=1}^{m^H} (E_i^t)_0 (E_i^t \hat{r}_t).$$

Denote by $\Delta_F r_t$ the Laplacian of r_t with respect to g_F . Then we have $(\Delta_F r_t)(c(\xi_0, t)) = \sum_{i=1}^{m^H} e_i(\gamma_i' r_t)$. From the definitions of r_t and \hat{r}_t , we have

$$e_i(\gamma_i' r_t) = \frac{d^2}{ds^2} \Big|_{s=0} r_t(\gamma_i(s)) = \frac{d^2}{ds^2} \Big|_{s=0} \hat{r}_t((\tilde{\gamma}_i)_{\xi_0}^t(s)) = \widetilde{(e_i)}_{\xi_0}^t (((\tilde{\gamma}_i)_{\xi_0}^t)' \hat{r}_t).$$

On the other hand, from (2.3), we have

$$\begin{aligned} \widetilde{(e_i)}_{\xi_0}^t \left(((\widetilde{\gamma}_i)_{\xi_0}^t)' \widehat{r}_t \right) &= \left(\cos^2(\sqrt{\varepsilon} k_0 b r_t(x_0)) + \|(\text{grad } r_t)_{x_0}\|^2 \right) (E_i^t)_0 (E_i^t)' \widehat{r}_t \\ &\quad - \frac{\sqrt{\varepsilon} k_0 b \sin(\sqrt{\varepsilon} k_0 b r_t(x_0)) \cos(\sqrt{\varepsilon} k_0 b r_t(x_0)) (e_i r_t)^2}{\sqrt{\cos^2(\sqrt{\varepsilon} k_0 b r_t(x_0)) + \|(\text{grad } r_t)_{x_0}\|^2}} \\ &\quad + \frac{(\nabla^F dr_t)(e_i, (\text{grad } r_t)_{x_0})(e_i r_t)}{\sqrt{\cos^2(\sqrt{\varepsilon} k_0 b r_t(x_0)) + \|(\text{grad } r_t)_{x_0}\|^2}}. \end{aligned}$$

Hence we can derive

$$\begin{aligned} (\Delta_F r_t)(x_0) &= \left(\cos^2(\sqrt{\varepsilon} k_0 b r_t(x_0)) + \|(\text{grad } r_t)_{x_0}\|^2 \right) (\Delta_t \widehat{r}_t)(\xi_0) \\ &\quad - \frac{\sqrt{\varepsilon} k_0 b \sin(\sqrt{\varepsilon} k_0 b r_t(x_0)) \cos(\sqrt{\varepsilon} k_0 b r_t(x_0)) \|(\text{grad } r_t)_{x_0}\|^2}{\cos^2(\sqrt{\varepsilon} k_0 b r_t(x_0)) + \|(\text{grad } r_t)_{x_0}\|^2} \\ (4.16) \quad &\quad + \frac{(\nabla^F dr_t)_{x_0}((\text{grad } r_t)_{x_0}, (\text{grad } r_t)_{x_0})}{\cos^2(\sqrt{\varepsilon} k_0 b r_t(x_0)) + \|(\text{grad } r_t)_{x_0}\|^2}. \end{aligned}$$

From (3.5), (4.7), (4.12), (4.16) and the definition of ρ_{r_t} , the following evolution equations are derived.

Lemma 4.1. (i) *The radius functions r_t 's satisfies the following evolution equation:*

$$\begin{aligned} (4.17) \quad &\frac{\partial r}{\partial t}(x, t) - \frac{(\Delta_F r_t)(x)}{\cos^2(\sqrt{\varepsilon} k_0 b r_t(x))} \\ &= \frac{\sqrt{\cos^2(\sqrt{\varepsilon} k_0 b r_t(x)) + \|(\text{grad } r_t)_x\|^2}}{\cos(\sqrt{\varepsilon} k_0 b r_t(x))} \cdot (\overline{H}_t - \rho_{r_t}(x)) \\ &\quad - \frac{(\nabla^F dr_t)_x((\text{grad } r_t)_x, (\text{grad } r_t)_x)}{\cos^2(\sqrt{\varepsilon} k_0 b r_t(x))(\cos^2(\sqrt{\varepsilon} k_0 b r_t(x)) + \|(\text{grad } r_t)_x\|^2)} \end{aligned}$$

$((x, t) \in M \times [0, T_1])$.

(ii) *The radius functions \widehat{r}_t 's satisfies the following evolution equation:*

$$\begin{aligned} (4.18) \quad &\frac{\partial \widehat{r}}{\partial t}(\xi, t) - (\Delta_t \widehat{r}_t)(\xi) \\ &= \frac{\cos(\sqrt{\varepsilon} k_0 b \widehat{r}_t(\xi)) (\overline{H}_t - \rho_{r_t}(c(\xi, t)))}{\sqrt{\cos^2(\sqrt{\varepsilon} k_0 b \widehat{r}_t(\xi)) + \|(\text{grad } r_t)_{c(\xi, t)}\|^2}} \\ &\quad - \frac{\sqrt{\varepsilon} k_0 b \sin(\sqrt{\varepsilon} k_0 b \widehat{r}_t(\xi)) \cos(\sqrt{\varepsilon} k_0 b \widehat{r}_t(\xi)) \|(\text{grad } r_t)_{c(\xi, t)}\|^2}{(\cos^2(\sqrt{\varepsilon} k_0 b \widehat{r}_t(\xi)) + \|(\text{grad } r_t)_{c(\xi, t)}\|^2)^2} \end{aligned}$$

$((\xi, t) \in M \times [0, T_1])$.

Replacing \overline{H} in (4.17) to any $C^{1, \alpha/2}$ real-valued function ϕ such that $\phi(0) = \overline{H}(0)$, we obtain a parabolic equation, which has a unique solution r_t such that $\text{grad } r_t = 0$

along ∂B in short time for any initial data r_0 such that $\text{grad } r_0 = 0$ holds along ∂B . By using a routine fixed point argument (see [M]), we can establish the short time existence and uniqueness also for (4.17) with the same boundary condition. From this fact, we can derive the following statement.

Proposition 4.2. *Under Setting (S), assume that \overline{M} is a rank one symmetric space and that F is an invariant submanifold. Then there uniquely exists the volume-preserving mean curvature flow $f_t : M \hookrightarrow \overline{M}$ starting from f and satisfying the condition (C1) in short time.*

Proof. Since \overline{M} is of rank one and F is invariant, the condition (C2) holds automatically. Hence the radius functions r_t 's of f_t satisfy (4.17). Hence the statement is derived from the above fact. q.e.d.

Denote by $\text{grad}_t \widehat{r}_t$ the gradient vector field of \widehat{r}_t with respect to g_t . The following relation holds between $\text{grad } r_t$ and $\text{grad}_t \widehat{r}_t$.

Lemma 4.3. *The norm of the gradient vector $(\text{grad}_t \widehat{r}_t)_\xi$ is described as*

$$(4.19) \quad \|(\text{grad}_t \widehat{r}_t)_\xi\|_t = \frac{\|(\text{grad } r_t)_{c(\xi,t)}\|}{\sqrt{\cos^2(\sqrt{\varepsilon} k_0 b r_t(c(\xi,t))) + \|(\text{grad } r_t)_{c(\xi,t)}\|^2}},$$

where $\|\cdot\|_t$ is the norm of (\cdot) with respect to g_t .

Proof. It is clear that $dr_t((\text{grad } r_t)_{c(\xi,t)}) = d\widehat{r}_t(\widetilde{((\text{grad } r_t)_{c(\xi,t)})_\xi^t})$, and that $(\widetilde{((\text{grad } r_t)_{c(\xi,t)})_\xi^t})$ and $(\text{grad}_t \widehat{r}_t)_\xi$ are linearly dependent. Hence we have

$$\|(\text{grad } r_t)_{c(\xi,t)}\|^2 = \|(\widetilde{((\text{grad } r_t)_{c(\xi,t)})_\xi^t})\|_t \cdot \|(\text{grad}_t \widehat{r}_t)_\xi\|_t.$$

On the other hand, it follows from (2.3) that

$$\|(\widetilde{((\text{grad } r_t)_{c(\xi,t)})_\xi^t})\|_t = \|(\text{grad } r_t)_{c(\xi,t)}\| \cdot \sqrt{\cos^2(\sqrt{\varepsilon} k_0 b r_t(c(\xi,t))) + \|(\text{grad } r_t)_{c(\xi,t)}\|^2}.$$

Therefore, we obtain the desired relation. q.e.d.

5 The evolution of the gradient of the radius function

We use the notations in Introduction and Sections 1-4. Let T_1 be as in Section 4. Define a function $\widehat{u}_t : M \rightarrow \mathbb{R}$ ($t \in [0, T_1)$) by

$$\widehat{u}_t(\xi) := \bar{g}(N_{(\xi,t)}, \tau_{\gamma_{w(\xi,t)}|_{[0,1]}}(w^1(\xi,t))) \quad (\xi \in M)$$

and a map $\widehat{v}_t : M \rightarrow \mathbb{R}$ by $\widehat{v}_t := \frac{1}{\widehat{u}_t}$ ($0 \leq t < T_1$). Define a map $\widehat{u} : M \times [0, T_1) \rightarrow \mathbb{R}$ by $\widehat{u}(\xi, t) := \widehat{u}_t(\xi)$ ($(\xi, t) \in M \times [0, T_1)$) and a map $\widehat{v} : M \times [0, T_1) \rightarrow \mathbb{R}$ by $\widehat{v}(\xi, t) := \widehat{v}_t(\xi)$ ($(\xi, t) \in M \times [0, T_1)$). Define a function \bar{u}_t (resp. \bar{v}_t) over B by $\bar{u}_t(x) := \widehat{u}_t(\xi)$ ($x \in B$) (resp. $\bar{v}_t(x) := \widehat{v}_t(\xi)$ ($x \in B$), where ξ is an arbitrary element of $M \cap S_x^\perp B$. It is clear that these functions are well-defined. Set $u_t := \bar{u}_t \circ \bar{c}_t^{-1}$ and $v_t := \bar{v}_t \circ \bar{c}_t^{-1}$. We have only to show $\inf_{(x,t) \in B \times [0, T_1)} u(x, t) > 0$, that is, $\sup_{(x,t) \in B \times [0, T_1)} v(x, t) < \infty$. In the sequel, assume that $t < T_1$. From (4.9), we have

$$(5.1) \quad \widehat{u}_t(\xi) = \frac{\cos(\sqrt{\varepsilon} k_0 b \widehat{r}(\xi, t))}{\sqrt{\cos^2(\sqrt{\varepsilon} k_0 b \widehat{r}(\xi, t)) + \|(\text{grad } r_t)_{c(\xi, t)}\|^2}}.$$

In order to investigate the evolution of the gradient $\text{grad } r_t$ of the radius function r_t , we suffice to investigate the evolution of \widehat{u}_t . It is easy to show that the outward unit normal vector field N_t satisfies the following evolution equation:

$$(5.2) \quad \frac{\partial N}{\partial t} = f_{t*}(\text{grad } H_t).$$

For simplicity, we set $\widehat{w}^1(\xi, t) := \tau_{\gamma_{w(\xi, t)}|_{[0, 1]}}(w^1(\xi, t))$. We calculate $\frac{\partial \widehat{u}}{\partial t}$. Define a map $\delta : [0, T_1) \times \mathbb{R} \rightarrow \overline{M}$ by

$$\delta(t, s) := \exp_{c(\xi, t)}(s w^1(\xi, t)).$$

Then we have $\frac{\partial \delta}{\partial s} \Big|_{s=\widehat{r}(\xi, t)} = \widehat{w}^1(\xi, t)$. For a fixed $t \in [0, T_1)$, $\widehat{Y}_t : s \mapsto \left(\frac{\partial \delta}{\partial t} \right) (t, s)$ is

the Jacobi field along the geodesic $\gamma_{w^1(\xi, t)}$. Since $\widehat{Y}_t(0) = \left(\frac{\partial c}{\partial t} \right) (\xi, t)$ and

$$\widehat{Y}_t'(0) = \left(\nabla_{\frac{\partial}{\partial s}}^\delta \frac{\partial \delta}{\partial t} \right) \Big|_{s=0} = \left(\nabla_{\frac{\partial}{\partial t}}^\delta \frac{\partial \delta}{\partial s} \right) \Big|_{s=0} = \nabla_{\frac{\partial}{\partial t}}^{\delta(\cdot, 0)} w^1(\xi, t) = \nabla_{\widehat{Y}_t(0)}^{\perp B} w^1(\cdot, t)$$

by the reflectivity of F , it follows from (3.1) that

$$\widehat{Y}_t(s) = \tau_{\gamma_{w^1(\xi, t)}|_{[0, s]}} \left(D_{s w^1(\xi, t)}^{co} \left(\left(\frac{\partial c}{\partial t} \right) (\xi, t) \right) + s D_{s w^1(\xi, t)}^{si} (\nabla_{\widehat{Y}_t(0)}^{\perp B} w^1(\cdot, t)) \right),$$

where $\nabla^{\perp B}$ is the normal connection of B . This implies together with (4.11) that

$$(5.3) \quad \widehat{Y}_t(s) = - \frac{(\overline{H}_t - H(\xi, t)) \cos(\sqrt{\varepsilon} k_0 b s) \widehat{u}(\xi, t)}{\cos^2(\sqrt{\varepsilon} k_0 b \widehat{r}(\xi, t))} \\ \times \tau_{\gamma_{w^1(\xi, t)}|_{[0, s]}} ((\text{grad}_t r_t)_{c(\xi, t)}) \\ + s \tau_{\gamma_{w^1(\xi, t)}|_{[0, s]}} (D_{s w^1(\xi, t)}^{si} (\nabla_{\widehat{Y}_t(0)}^{\perp B} w^1(\cdot, t))).$$

In particular, we have

$$(5.4) \quad \begin{aligned} \widehat{Y}_t(\widehat{r}(\xi, t)) &= -\frac{(\overline{H}_t - H_{(\xi, t)})\widehat{u}(\xi, t)}{\cos(\sqrt{\varepsilon}k_0b\widehat{r}(\xi, t))} \tau_{\gamma_w(\xi, t)}((\text{grad}_t r_t)_{c(\xi, t)}) \\ &\quad + \widehat{r}(\xi, t) \tau_{\gamma_w(\xi, t)|_{[0,1]}}(D_{w(\xi, t)}^{si}(\nabla_{\widehat{Y}_t(0)}^{\perp B} w^1(\cdot, t))). \end{aligned}$$

Also, we have

$$(5.5) \quad \begin{aligned} \left(\frac{\partial \widehat{w}^1}{\partial t}\right)(\xi, t) &= \left(\nabla_{\frac{\partial}{\partial t}}^{\delta} \frac{\partial \delta}{\partial s}\right)\Big|_{s=\widehat{r}(\xi, t)} = \nabla_{\frac{\partial}{\partial s}|_{s=\widehat{r}(\xi, t)}}^{\delta} \widehat{Y}_t \\ &= -\frac{(\overline{H}_t - H_{(\xi, t)})\sqrt{\varepsilon}k_0b \sin(\sqrt{\varepsilon}k_0b\widehat{r}(\xi, t))\widehat{u}(\xi, t)}{\cos^2(\sqrt{\varepsilon}k_0b\widehat{r}(\xi, t))} \\ &\quad \times \tau_{\gamma_w(\xi, t)}((\text{grad}_t r_t)_{c(\xi, t)}) \\ &\quad + \tau_{\gamma_w(\xi, t)|_{[0,1]}}(D_{w(\xi, t)}^{co}(\nabla_{\widehat{Y}_t(0)}^{\perp B} w^1(\cdot, t))). \end{aligned}$$

From this relation and (4.9), we obtain

$$(5.6) \quad \begin{aligned} \bar{g}\left(N(\xi, t), \left(\frac{\partial \widehat{w}^1}{\partial t}\right)(\xi, t)\right) \\ = (\overline{H}_t - H_{(\xi, t)})\sqrt{\varepsilon}k_0b \tan(\sqrt{\varepsilon}k_0b\widehat{r}(\xi, t))(1 - \widehat{u}(\xi, t)^2). \end{aligned}$$

From (5.2) and (5.6), we obtain

$$(5.7) \quad \begin{aligned} \frac{\partial \widehat{u}}{\partial t}(\xi, t) &= \bar{g}(f_{t*}((\text{grad } H_t)_{\xi}), \widehat{w}^1(\xi, t)) \\ &\quad + (\overline{H}_t - H_{(\xi, t)})\sqrt{\varepsilon}k_0b \tan(\sqrt{\varepsilon}k_0b\widehat{r}(\xi, t))(1 - \widehat{u}(\xi, t)^2) \end{aligned}$$

((ξ, t) $\in M \times [0, T_1]$). Fix $\xi_0 \in M$ and $t_0 \in [0, T_1]$. Set $x_0 := c(\xi_0, t_0)$. Let $(e_1, \dots, e_{m^H}), \gamma_i, (\widetilde{\gamma}_i)_{\xi_0}^t, (E_i^t)_s, (i = 1, \dots, m^H)$ and $\{E_{m^H+1}^t, \dots, E_n^t\}$ be as in Section 4. We may assume that

$$(\tau_{\gamma_w(\xi, t)|_{[0,1]}} \circ \tau_{c(\xi, t)})^{-1}(f_{t*}((E_j^t)_{\xi})) \in \mathfrak{p}_{k_j\beta}$$

holds for some $k_j \in \{1, 2\}$ ($j = m^H + 1, \dots, n$). Define a function λ_t ($t \in [0, T_1]$) over M by

$$\begin{aligned} \lambda_t(\xi) &:= -\widehat{u}(\xi, t) \left(\sum_{k \in \mathcal{K}} m_k^H \sqrt{\varepsilon}k_b \tan(\sqrt{\varepsilon}k_b\widehat{r}(\xi, t)) + \frac{(\Delta_F r_t)(x)}{\cos^2(\sqrt{\varepsilon}k_0b\widehat{r}(\xi, t))} \right. \\ &\quad + \frac{\|(\text{grad } r_t)_x\|^2 \sqrt{\varepsilon}k_0b \tan(\sqrt{\varepsilon}k_0b\widehat{r}(\xi, t))}{\cos^2(\sqrt{\varepsilon}k_0b\widehat{r}(\xi, t)) + \|(\text{grad } r_t)_x\|^2} \\ &\quad \left. - \frac{(\nabla^F dr_t)_x((\text{grad } r_t)_x, (\text{grad } r_t)_x)}{\cos^2(\sqrt{\varepsilon}k_0b\widehat{r}(\xi, t))(\cos^2(\sqrt{\varepsilon}k_0b\widehat{r}(\xi, t)) + \|(\text{grad } r_t)_x\|^2)} \right) \end{aligned}$$

($\xi \in M$), where $x = c(\xi, t)$. From $\bar{g}(f_{t_0*}(\widetilde{(e_i)}_{\xi_0}^{t_0}), \widehat{w}^1(\xi_0, t_0)) = 0$ ($i = 2, \dots, m^H$) and (2.50), we have

$$\begin{aligned}
& \bar{g}(f_{t_0*}((\text{grad } H_{t_0})_{\xi_0}), \widehat{w}^1(\xi_0, t_0)) \\
&= \frac{(\widetilde{(e_1)}_{\xi_0}^{t_0} H_{t_0}) \bar{g}(f_{t_0*}(\widetilde{(e_1)}_{\xi_0}^{t_0}), \widehat{w}^1(\xi_0, t_0))}{\|\widetilde{(e_1)}_{\xi_0}^{t_0}\|^2} \\
&= \frac{\sqrt{1 - \widehat{u}(\xi_0, t_0)^2}}{\|\widetilde{(e_1)}_{\xi_0}^{t_0}\|} \cdot \widetilde{(e_1)}_{\xi_0}^{t_0} H_{t_0} \\
(5.8) \quad &= \frac{\widehat{u}(\xi_0, t_0) \sqrt{1 - \widehat{u}(\xi_0, t_0)^2}}{\cos(\sqrt{\varepsilon} k_0 b \widehat{r}(\xi_0, t_0))} \cdot \widetilde{(e_1)}_{\xi_0}^{t_0} \lambda_{t_0} \\
&\quad + (1 - \widehat{u}(\xi_0, t_0)^2) \left(\lambda_{t_0}(\xi_0) + \widehat{u}(\xi_0, t_0) \sum_{k \in \mathcal{K}} m_k^H \sqrt{\varepsilon} k b \tan(\sqrt{\varepsilon} k b \widehat{r}(\xi_0, t_0)) \right) \\
&\quad \times \sum_{k=1}^2 \frac{m_k^V \sqrt{\varepsilon} k b}{\tan(\sqrt{\varepsilon} k b \widehat{r}(\xi_0, t_0))} \\
&\quad - \widehat{u}(\xi_0, t_0) (1 - \widehat{u}(\xi_0, t_0)^2) \sum_{k=1}^2 \frac{m_k^V (\sqrt{\varepsilon} k b)^2}{\sin^2(\sqrt{\varepsilon} k b \widehat{r}(\xi_0, t_0))}.
\end{aligned}$$

From (2.50), (5.7) and (5.8), we obtain

$$\begin{aligned}
(5.9) \quad \frac{\partial \widehat{u}}{\partial t}(\xi, t) &= \frac{\widehat{u}(\xi, t) \sqrt{1 - \widehat{u}(\xi, t)^2}}{\cos(\sqrt{\varepsilon} k_0 b \widehat{r}(\xi, t))} \cdot \widetilde{(e_1)}_{\xi}^t \lambda_t \\
&\quad + (1 - \widehat{u}(\xi, t)^2) \left(\lambda_t(\xi) + \widehat{u}(\xi, t) \sum_{k \in \mathcal{K}} m_k^H \sqrt{\varepsilon} k b \tan(\sqrt{\varepsilon} k b \widehat{r}(\xi, t)) \right) \\
&\quad \times \sum_{k=1}^2 \frac{m_k^V \sqrt{\varepsilon} k b}{\tan(\sqrt{\varepsilon} k b \widehat{r}(\xi, t))} \\
&\quad - \widehat{u}(\xi, t) (1 - \widehat{u}(\xi, t)^2) \sum_{k=1}^2 \frac{m_k^V (\sqrt{\varepsilon} k b)^2}{\sin^2(\sqrt{\varepsilon} k b \widehat{r}(\xi, t))} \\
&\quad + \overline{H}_t \sqrt{\varepsilon} k_0 b \tan(\sqrt{\varepsilon} k_0 b \widehat{r}(\xi, t)) (1 - \widehat{u}(\xi, t)^2) \\
&\quad + (1 - \widehat{u}(\xi, t)^2) \sqrt{\varepsilon} k_0 b \tan(\sqrt{\varepsilon} k_0 b \widehat{r}(\xi, t)) \\
&\quad \times \left(\lambda_t(\xi) - \widehat{u}(\xi, t) \sum_{k=1}^2 \frac{m_k^V \sqrt{\varepsilon} k b}{\tan(\sqrt{\varepsilon} k b \widehat{r}(\xi, t))} \right).
\end{aligned}$$

Define a map $\delta_i : [0, \infty) \times (-\varepsilon, \varepsilon) \rightarrow \overline{M}$ ($i = 1, \dots, m^H$) by

$$\delta_i(\bar{t}, s) := \exp_{\gamma_i(s)}(\bar{t} w(\widetilde{(\gamma_i)}_{\xi_0}^{t_0}(s), t_0)),$$

where ε is a small positive number. Set $Y_i^{s_0} := \frac{\partial \delta_i}{\partial s} \Big|_{s=s_0}$. Since $Y_i^{s_0}$ is the Jacobi field along $\gamma_{w((\widetilde{\gamma}_i)_{\xi_0}^{t_0}(s_0), t_0)}$ with $Y_i^{s_0}(0) = \gamma'_i(s_0)$ and $(Y_i^{s_0})'(0) = (\gamma'_i(s_0)r_{t_0})w^1((\widetilde{\gamma}_i)_{\xi_0}^{t_0}(s_0), t_0)$, it is described as

$$\begin{aligned} & Y_i^{s_0}(\bar{t}) \\ &= \tau_{\gamma_{w((\widetilde{\gamma}_i)_{\xi_0}^{t_0}(s_0), t_0)}|_{[0, \bar{t}]}} \left(D_{\bar{t}w((\widetilde{\gamma}_i)_{\xi_0}^{t_0}(s_0), t_0)}^{co}(\gamma'_i(s_0)) \right. \\ &\quad \left. + \bar{t} D_{\bar{t}w((\widetilde{\gamma}_i)_{\xi_0}^{t_0}(s_0), t_0)}^{si}((\gamma'_i(s_0)r_{t_0})w^1((\widetilde{\gamma}_i)_{\xi_0}^{t_0}(s_0), t_0)) \right) \\ &= \tau_{\gamma_{w((\widetilde{\gamma}_i)_{\xi_0}^{t_0}(s_0), t_0)}|_{[0, \bar{t}]}} \left(D_{\bar{t}w((\widetilde{\gamma}_i)_{\xi_0}^{t_0}(s_0), t_0)}^{co}(\gamma'_i(s_0)) \right) + \bar{t}(\gamma'_i(s_0)r_{t_0})\widehat{w}^1((\widetilde{\gamma}_i)_{\xi_0}^{t_0}(s_0), t_0). \end{aligned}$$

Hence we have

$$\begin{aligned} (5.10) \quad & \overline{\nabla}^{f_{t_0}}_{(E_i^{t_0})_{s_0}} \widehat{w}_{t_0}^1 \\ &= \frac{(Y_i^{s_0})'(1)}{\sqrt{\cos^2(\sqrt{\varepsilon}k_i b \widehat{r}((\widetilde{\gamma}_i)_{\xi_0}^{t_0}(s_0), t_0)) + \|(\text{grad } r_{t_0})_{c((\widetilde{\gamma}_i)_{\xi_0}^{t_0}(s_0), t_0)}\|^2 \delta_{i1}}} \\ &= \frac{1}{\sqrt{\cos^2(\sqrt{\varepsilon}k_i b \widehat{r}((\widetilde{\gamma}_i)_{\xi_0}^{t_0}(s_0), t_0)) + \|(\text{grad } r_{t_0})_{c((\widetilde{\gamma}_i)_{\xi_0}^{t_0}(s_0), t_0)}\|^2 \delta_{i1}}} \\ &\quad \times \left\{ -\sqrt{\varepsilon}k_i b \widehat{r}((\widetilde{\gamma}_i)_{\xi_0}^{t_0}(s_0), t_0) \sin(\sqrt{\varepsilon}k_i b \widehat{r}((\widetilde{\gamma}_i)_{\xi_0}^{t_0}(s_0), t_0)) \tau_{\gamma_{w((\widetilde{\gamma}_i)_{\xi_0}^{t_0}(s_0), t_0)}|_{[0, 1]}}(e_i) \right. \\ &\quad \left. + (\gamma'_i(s_0)r_{t_0})\widehat{w}^1((\widetilde{\gamma}_i)_{\xi_0}^{t_0}(s_0), t_0) \right\}, \end{aligned}$$

where $\overline{\nabla}^{f_{t_0}}$ is the pull-back connection of $\overline{\nabla}$ by f_{t_0} . Let $\alpha_j : (-\varepsilon, \varepsilon) \rightarrow M$ ($j = m^H + 1, \dots, n$) be the integral curve of $E_j^{t_0}$ with $\alpha_j(0) = \xi_0$, where ε is a small positive number. Define a map $\widehat{\delta}_j : [0, \infty) \times (-\varepsilon, \varepsilon) \rightarrow \overline{M}$ ($j = m^H + 1, \dots, n$) by $\widehat{\delta}_j(\bar{t}, s) := \exp_{x_0}(\bar{t}(f_{t_0} \circ \alpha_j)(s))$. Set $\widehat{Y}_j^{s_0} := \frac{\partial \widehat{\delta}_j}{\partial s} \Big|_{s=s_0}$. Since $\widehat{Y}_j^{s_0}$ is the Jacobi field along $\gamma_{w(\alpha_j(s_0), t_0)}$ with $\widehat{Y}_j^{s_0}(0) = 0$ and $(\widehat{Y}_j^{s_0})'(0) = (\exp_{x_0})_*^{-1}(f_{t_0*}((E_j^{t_0})_{\alpha_j(s_0)}))$, it is described as

$$\widehat{Y}_j^{s_0}(\bar{t}) = \tau_{\gamma_{w(\alpha_j(s_0), t_0)}|_{[0, \bar{t}]}} \left(\bar{t} D_{\bar{t}w(\alpha_j(s_0), t_0)}^{si}((\exp_{x_0})_*^{-1}(f_{t_0*}((E_j^{t_0})_{\alpha_j(s_0)}))) \right).$$

For simplicity, we denote $(E_j^{t_0})_{\alpha_j(s)}$ by $(E_j^{t_0})_s$. Hence we have

$$\begin{aligned}
(5.11) \quad & \nabla_{(E_j^{t_0})_{s_0}}^{f_{t_0}} \widehat{w}_{t_0}^1 = (\widehat{Y}_j^{s_0})'(1) \\
& = \tau_{\gamma_{w(\alpha_j(s_0), t_0)}|_{[0,1]}} \left(D_{w(\alpha_j(s_0), t_0)}^{co} ((\exp_{x_0})_*^{-1}(f_{t_0*}((E_j^{t_0})_{s_0}))) \right) \\
& = \frac{\sqrt{\varepsilon} k_j b \widehat{r}(\alpha_j(s_0), t_0)}{\tan(\sqrt{\varepsilon} k_j b \widehat{r}(\alpha_j(s_0), t_0))} f_{t_0*}((E_j^{t_0})_{s_0}).
\end{aligned}$$

Denote by $\Delta_t \widehat{u}_t$ the rough Laplacian of \widehat{u}_t with respect to the Riemannian connection ∇^t of g_t . According to (2.28), we have

$$\bar{g}(N(\xi, t), \tau_{\gamma_{w(\xi, t)}|_{[0,1]}}(e_1)) = -\sqrt{1 - \widehat{u}(\xi, t)^2},$$

that is,

$$(5.12) \quad \widehat{u}(\xi, t) = \sqrt{1 - \bar{g}(N(\xi, t), \tau_{\gamma_{w(\xi, t)}|_{[0,1]}}(e_1))^2}.$$

By using this relation, we can derive

$$\begin{aligned}
(5.13) \quad & (E_1^{t_0})_s \widehat{u}_{t_0} = \frac{\|(\text{grad } r_{t_0})_{c((\widetilde{\gamma}_i)_{\xi_0}^{t_0}(s), t_0)}\|}{\cos(\sqrt{\varepsilon} k_0 b \widehat{r}((\widetilde{\gamma}_1)_{\xi_0}^{t_0}(s), t_0)) \|(\gamma_1'(s))_{(\widetilde{\gamma}_1)_{\xi_0}^{t_0}(s)}\|} \\
& \times \left\{ \bar{g} \left(f_{t_0*}(A^{t_0}((\widetilde{\gamma}_1'(s))_{(\widetilde{\gamma}_1)_{\xi_0}^{t_0}(s)}), \tau_{\gamma_{w((\widetilde{\gamma}_1)_{\xi_0}^{t_0}(s), t_0)}|_{[0,1]}}(\gamma_1'(s))) \right) \right. \\
& \left. + \bar{g} \left(N((\widetilde{\gamma}_1)_{\xi_0}^{t_0}(s), t_0), \frac{\nabla}{ds} \left(\tau_{\gamma_{w((\widetilde{\gamma}_1)_{\xi_0}^{t_0}(s), t_0)}|_{[0,1]}}(\gamma_1'(s)) \right) \right) \right\},
\end{aligned}$$

where $\frac{\nabla}{ds}$ denotes the covariant derivative along the curve $s \mapsto \exp^\perp \circ w((\widetilde{\gamma}_1)_{\xi_0}^{t_0}(s), t_0) = f_{t_0} \circ (\widetilde{\gamma}_1)_{\xi_0}^{t_0}(s)$ with respect to $\bar{\nabla}$. Define a curve $\bar{w}_{t_0, s}$ in $T^\perp B$ by

$$\bar{w}_{t_0, s}(\hat{s}) := \frac{\widehat{r}((\widetilde{\gamma}_1)_{\xi_0}^{t_0}(s))}{\widehat{r}((\widetilde{\gamma}_1)_{\xi_0}^{t_0}(\hat{s}))} w((\widetilde{\gamma}_1)_{\xi_0}^{t_0}(\hat{s}), t_0),$$

which is a curve in the tube $t_{\widehat{r}((\widetilde{\gamma}_1)_{\xi_0}^{t_0}(s))}(B)$ of B of constant radius $\widehat{r}((\widetilde{\gamma}_1)_{\xi_0}^{t_0}(s))$. Then we have

$$\begin{aligned}
(5.14) \quad & \frac{\nabla}{d\hat{s}} \Big|_{\hat{s}=s} \left(\tau_{\gamma_{w((\widetilde{\gamma}_1)_{\xi_0}^{t_0}(\hat{s}), t_0)}|_{[0,1]}}(\gamma_1'(s)) \right) \\
& = \cos(\sqrt{\varepsilon} k_0 b \widehat{r}((\widetilde{\gamma}_1)_{\xi_0}^{t_0}(s), t_0)) \frac{\nabla}{d\hat{s}} \Big|_{\hat{s}=s} \left(\tau_{\gamma_{\bar{w}_{t_0, s}(\hat{s})}|_{[0,1]}}(\gamma_1'(\hat{s})) \right) \\
& = \sqrt{\varepsilon} k_0 b \sin(\sqrt{\varepsilon} k_0 b \widehat{r}((\widetilde{\gamma}_1)_{\xi_0}^{t_0}(s), t_0)) w^1((\widetilde{\gamma}_1)_{\xi_0}^{t_0}(s), t_0),
\end{aligned}$$

where $\frac{\nabla}{d\hat{s}}$ in the left-hand-side (resp. the right-hand side) denotes the covariant derivative along the curve $\hat{s} \mapsto \exp^\perp \circ w((\widetilde{\gamma}_1)_{\xi_0}^{t_0}(\hat{s}), t_0)$ (resp. $\hat{s} \mapsto \exp^\perp \circ \bar{w}_{t_0, s}(\hat{s})$) with respect to $\bar{\nabla}$. From (2.49), (4.9) and (5.12) – (5.14), we obtain

$$(5.15) \quad \begin{aligned} (E_1^{t_0})_s \widehat{u}_{t_0} &= \sqrt{1 - \widehat{u}((\widetilde{\gamma}_1)_{\xi_0}^{t_0}(s), t_0)^2} \left(\lambda_{t_0}((\widetilde{\gamma}_1)_{\xi_0}^{t_0}(s)) \right. \\ &\quad \left. + \widehat{u}((\widetilde{\gamma}_1)_{\xi_0}^{t_0}(s), t_0) \sum_{k \in \mathcal{K}} m_k^H \sqrt{\varepsilon} k b \tan(\sqrt{\varepsilon} k b \widehat{r}((\widetilde{\gamma}_1)_{\xi_0}^{t_0}(s), t_0)) \right) \end{aligned}$$

and hence

$$(5.16) \quad \begin{aligned} &\frac{\partial}{\partial s} \Big|_{s=0} ((E_1^{t_0})_s \widehat{u}_{t_0}) \\ &= \frac{\widehat{u}(\xi_0, t_0) \sqrt{1 - \widehat{u}(\xi_0, t_0)^2}}{\cos(\sqrt{\varepsilon} k_0 b \widehat{r}(\xi_0, t_0))} (e_1)_{\xi_0} \lambda_{t_0} \\ &\quad + (1 - \widehat{u}(\xi_0, t_0)^2) \left(\lambda_{t_0}(\xi_0) + \widehat{u}(\xi_0, t_0) \sum_{k \in \mathcal{K}} m_k^H \sqrt{\varepsilon} k b \tan(\sqrt{\varepsilon} k b \widehat{r}(\xi_0, t_0)) \right) \\ &\quad \times \sqrt{\varepsilon} k_0 b \tan(\sqrt{\varepsilon} k_0 b \widehat{r}(\xi_0, t_0)) \\ &\quad - \widehat{u}(\xi_0, t_0) \left(\lambda_{t_0}(\xi_0) + \widehat{u}(\xi_0, t_0) \sum_{k \in \mathcal{K}} m_k^H \sqrt{\varepsilon} k b \tan(\sqrt{\varepsilon} k b \widehat{r}(\xi_0, t_0)) \right)^2 \\ &\quad - \widehat{u}(\xi_0, t_0) (1 - \widehat{u}(\xi_0, t_0)^2) \sum_{k \in \mathcal{K}} \frac{m_k^H (\sqrt{\varepsilon} k b)^2 \|(\text{grad } r_{t_0})_{c(\xi_0, t_0)}\|}{\cos^2(\sqrt{\varepsilon} k b \widehat{r}(\xi_0, t_0))}. \end{aligned}$$

Also, it is clear that

$$(5.17) \quad \frac{\partial}{\partial s} \Big|_{s=0} ((E_i^{t_0})_s \widehat{u}_{t_0}) = 0 \quad (i = 2, \dots, m^H).$$

On the other hand, by using $E_j^{t_0} \widehat{u}_{t_0} = 0$ ($j = m^H + 1, \dots, n$) and (5.15), we have

$$\begin{aligned}
& (\nabla^{t_0} du_{t_0})((E_j^{t_0})_{\xi_0}, (E_j^{t_0})_{\xi_0}) = -(\nabla_{(E_j^{t_0})_{\xi_0}}^{t_0} E_j^{t_0}) \widehat{u}_{t_0} \\
& = -\bar{g}(\overline{\nabla}_{(E_j^{t_0})_{\xi_0}}^{f_{t_0^*}} f_{t_0^*}(E_j^{t_0}), f_{t_0^*}((E_1^{t_0})_0)) \cdot (E_1^{t_0})_0 \widehat{u}_{t_0} \\
& = -\frac{\sqrt{1 - \widehat{u}(\xi_0, t_0)^2}}{\sqrt{\cos^2(\sqrt{\varepsilon} k_0 b \widehat{r}(\xi_0, t_0)) + \|(\text{grad } r_{t_0})_{c(\xi_0, t_0)}\|^2}} \\
& \quad \times \bar{g}(\overline{\nabla}_{(E_j^{t_0})_{\xi_0}}^{f_{t_0^*}} f_{t_0^*}(E_j^{t_0}), f_{t_0^*}(\widehat{e_1}_{\xi_0}^{t_0})) \\
(5.18) \quad & \quad \times \left(\lambda_{t_0}(\xi_0) + \widehat{u}(\xi_0, t_0) \sum_{k \in \mathcal{K}} m_k^H \sqrt{\varepsilon} k b \tan(\sqrt{\varepsilon} k b \widehat{r}(\xi_0, t_0)) \right) \\
& = -(1 - \widehat{u}(\xi_0, t_0)^2) \bar{g}(\overline{\nabla}_{(E_j^{t_0})_{\xi_0}}^{f_{t_0^*}} f_{t_0^*}(E_j^{t_0}), \widehat{w}^1(\xi_0, t_0)) \\
& \quad \times \left(\lambda_{t_0}(\xi_0) + \widehat{u}(\xi_0, t_0) \sum_{k \in \mathcal{K}} m_k^H \sqrt{\varepsilon} k b \tan(\sqrt{\varepsilon} k b \widehat{r}(\xi_0, t_0)) \right) \\
& = (1 - \widehat{u}(\xi_0, t_0)^2) \frac{\sqrt{\varepsilon} k_j b}{\tan(\sqrt{\varepsilon} k_j b \widehat{r}(\xi_0, t_0))} \\
& \quad \times \left(\lambda_{t_0}(\xi_0) + \widehat{u}(\xi_0, t_0) \sum_{k \in \mathcal{K}} m_k^H \sqrt{\varepsilon} k b \tan(\sqrt{\varepsilon} k b \widehat{r}(\xi_0, t_0)) \right),
\end{aligned}$$

where we use also $E_i^{t_0} \widehat{u}_{t_0} = 0$ ($i = 2, \dots, m^H$) and

$$\begin{aligned}
\bar{g}(\overline{\nabla}_{(E_j^{t_0})_{\xi_0}}^{f_{t_0^*}} f_{t_0^*}(E_j^{t_0}), \widehat{w}^1(\xi_0, t_0)) & = -\bar{g}(\widehat{A}(f_{t_0^*}((E_j^{t_0})_{\xi_0}), (E_j^{t_0})_{\xi_0})) \\
& = -\frac{\sqrt{\varepsilon} k_j b}{\tan(\sqrt{\varepsilon} k_j b \widehat{r}(\xi_0, t_0))}
\end{aligned}$$

(where \widehat{A} denotes the shape operator of the geodesic sphere $f_{t_0}(M) \cap \exp^\perp(T_{c(\xi_0, t_0)}^\perp F)$ in the normal umbrella $\exp^\perp(T_{c(\xi_0, t_0)}^\perp F)$ for $-\widehat{w}^1(\xi_0, t_0)$). From (5.16) – (5.18), we

obtain

$$\begin{aligned}
(\Delta_{t_0} \widehat{u}_{t_0})(\xi_0) &= \sum_{i=1}^{m^H} \frac{\partial}{\partial s} \Big|_{s=0} ((E_i^{t_0})_s \widehat{u}_{t_0}) - \sum_{j=1}^{m^V} (\nabla_{(E_j^{t_0})_{\xi_0}}^{t_0} E_j^{t_0}) \widehat{u}_{t_0} \\
&= \frac{\widehat{u}(\xi_0, t_0) \sqrt{1 - \widehat{u}(\xi_0, t_0)^2}}{\cos(\sqrt{\varepsilon} k_0 b \widehat{r}(\xi_0, t_0))} \cdot (\widetilde{e_1})_{\xi_0}^{t_0} \lambda_{t_0} \\
&\quad + (1 - \widehat{u}(\xi_0, t_0)^2) \\
&\quad \times \left(\lambda_{t_0}(\xi_0) + \widehat{u}(\xi_0, t_0) \sum_{k \in \mathcal{K}} m_k^H \sqrt{\varepsilon} k b \tan(\sqrt{\varepsilon} k b \widehat{r}(\xi_0, t_0)) \right) \\
(5.19) \quad &\quad \times \left(\sqrt{\varepsilon} k_0 b \tan(\sqrt{\varepsilon} k_0 b \widehat{r}(\xi_0, t_0)) + \sum_{k=1}^2 \frac{m_k^V \sqrt{\varepsilon} k b}{\tan(\sqrt{\varepsilon} k b \widehat{r}(\xi_0, t_0))} \right) \\
&\quad - \widehat{u}(\xi_0, t_0) \left(\lambda_{t_0}(\xi_0) + \widehat{u}(\xi_0, t_0) \sum_{k \in \mathcal{K}} m_k^H \sqrt{\varepsilon} k b \tan(\sqrt{\varepsilon} k b \widehat{r}(\xi_0, t_0)) \right)^2 \\
&\quad - \widehat{u}(\xi_0, t_0) (1 - \widehat{u}(\xi_0, t_0)^2) \sum_{k \in \mathcal{K}} \frac{m_k^H (\sqrt{\varepsilon} k b)^2 \|(\text{grad } r_{t_0})_{c(\xi_0, t_0)}\|}{\cos^2(\sqrt{\varepsilon} k b \widehat{r}(\xi_0, t_0))}.
\end{aligned}$$

From (5.9) and (5.19), we obtain the following evolution equations for \widehat{u}_t and \widehat{v}_t .

Lemma 5.1. *The functions \widehat{u}_t 's ($t \in [0, T)$) satisfy the following evolution equation:*

$$\begin{aligned}
&\frac{\partial \widehat{u}}{\partial t}(\xi, t) - (\Delta_t \widehat{u}_t)(\xi) \\
(5.20) \quad &= \frac{\partial \widehat{u}}{\partial t}(\xi, t) - (\Delta_t \widehat{u}_t)(\xi) \\
&\quad - \widehat{H}_t \sqrt{\varepsilon} k_0 b \tan(\sqrt{\varepsilon} k_0 b \widehat{r}(\xi, t)) (1 - \widehat{u}(\xi, t)^2) \\
&\quad - \widehat{u}(\xi, t) (1 - \widehat{u}(\xi, t)^2) \sum_{k=1}^2 \frac{m_k^V (\sqrt{\varepsilon} k b)^2}{\sin^2(\sqrt{\varepsilon} k b \widehat{r}(\xi, t))} \\
&\quad - \widehat{u}(\xi, t) (1 - \widehat{u}(\xi, t)^2) \sqrt{\varepsilon} k_0 b \tan(\sqrt{\varepsilon} k_0 b \widehat{r}(\xi, t)) \sum_{k=1}^2 \frac{m_k^V \sqrt{\varepsilon} k b}{\tan(\sqrt{\varepsilon} k b \widehat{r}(\xi, t))} \\
&\quad - \widehat{u}(\xi, t) (1 - \widehat{u}(\xi, t)^2) \sqrt{\varepsilon} k_0 b \tan(\sqrt{\varepsilon} k_0 b \widehat{r}(\xi, t)) \\
&\quad \quad \times \sum_{k \in \mathcal{K}} m_k^H \sqrt{\varepsilon} k b \tan(\sqrt{\varepsilon} k b \widehat{r}(\xi, t)) \\
&\quad + \widehat{u}(\xi, t) \left(\lambda_t(\xi) + \widehat{u}(\xi, t) \sum_{k \in \mathcal{K}} m_k^H \sqrt{\varepsilon} k b \tan(\sqrt{\varepsilon} k b \widehat{r}(\xi, t)) \right)^2 \\
&\quad + \widehat{u}(\xi, t) (1 - \widehat{u}(\xi, t)^2) \sum_{k \in \mathcal{K}} \frac{m_k^H (\sqrt{\varepsilon} k b)^2 \|(\text{grad } r_t)_{c(\xi, t)}\|}{\cos^2(\sqrt{\varepsilon} k b \widehat{r}(\xi, t))}
\end{aligned}$$

$((\xi, t) \in M \times [0, T_1))$. Also, the functions \widehat{v}_t 's ($t \in [0, T)$) satisfy the following

evolution equation:

$$\begin{aligned}
& \frac{\partial \widehat{v}}{\partial t}(\xi, t) - (\Delta_t \widehat{v}_t)(\xi) \\
&= -\widehat{H}_t \sqrt{\varepsilon} k_0 b \tan(\sqrt{\varepsilon} k_0 b \widehat{r}(\xi, t)) (\widehat{v}(\xi, t)^2 - 1) \\
& \quad + \widehat{v}(\xi, t) \left(1 - \frac{1}{\widehat{v}(\xi, t)^2}\right) \sum_{k=1}^2 \frac{m_k^V (\sqrt{\varepsilon} k b)^2}{\sin^2(\sqrt{\varepsilon} k b \widehat{r}(\xi, t))} \\
& \quad + \widehat{v}(\xi, t) \left(1 - \frac{1}{\widehat{v}(\xi, t)^2}\right) \sqrt{\varepsilon} k_0 b \tan(\sqrt{\varepsilon} k_0 b \widehat{r}(\xi, t)) \sum_{k=1}^2 \frac{m_k^V \sqrt{\varepsilon} k b}{\tan(\sqrt{\varepsilon} k b \widehat{r}(\xi, t))} \\
(5.21) \quad & - \widehat{v}(\xi, t) \left(1 - \frac{1}{\widehat{v}(\xi, t)^2}\right) \sqrt{\varepsilon} k_0 b \tan(\sqrt{\varepsilon} k_0 b \widehat{r}(\xi, t)) \\
& \quad \times \sum_{k \in \mathcal{K}} m_k^H \sqrt{\varepsilon} k b \tan(\sqrt{\varepsilon} k b \widehat{r}(\xi, t)) \\
& \quad - \widehat{v}(\xi, t) \left(\lambda_t(\xi) + \frac{1}{\widehat{v}(\xi, t)} \sum_{k \in \mathcal{K}} m_k^H \sqrt{\varepsilon} k b \tan(\sqrt{\varepsilon} k b \widehat{r}(\xi, t)) \right)^2 \\
& \quad - \widehat{v}(\xi, t) \left(1 - \frac{1}{\widehat{v}(\xi, t)^2}\right) \sum_{k \in \mathcal{K}} \frac{m_k^H (\sqrt{\varepsilon} k b)^2 \|(\text{grad } r_t)_{c(\xi, t)}\|}{\cos^2(\sqrt{\varepsilon} k b \widehat{r}(\xi, t))} \\
& \quad - \frac{2}{\widehat{v}(\xi, t)} \|(\text{grad}_t \widehat{v}_t)_\xi\|^2
\end{aligned}$$

$((\xi, t) \in M \times [0, T_1])$.

Proof. The evolution equation (5.20) is derived from (5.9) and (5.19) directly. The evolution equation (5.21) is derived from (5.20) and the following relations:

$$\frac{\partial \widehat{v}}{\partial t} = -\frac{1}{\widehat{u}_t^2} \frac{\partial \widehat{u}}{\partial t} \quad \text{and} \quad \Delta_t \widehat{v}_t = -\frac{1}{\widehat{u}_t^2} \Delta_t \widehat{u}_t + \frac{2}{\widehat{u}_t^3} \|(\text{grad}_t \widehat{u}_t)\|^2.$$

q.e.d.

6 Estimate of the volume

We use the notations in Introduction and Sections 1-5. Assume that \overline{M} is a rank one symmetric space, F is invariant, B is a closed geodesic ball of radius r_B centered at x_* in F and that r_0 is radial with respect to x_* , where r_B is a positive number smaller than the injective radius of F at x_* . Note that the invariantness of F means the totally geodesicness in the case where \overline{M} is a sphere or a (real) hyperbolic space. Since F is of rank one, each geodesic sphere in F is homogeneous. Hence, since r_0 is radial by the assumption, so are also r_t . For $X \in \overline{S}'(x_*, 1)$, denote by γ_X the geodesic

in F having X as the initial velocity vector (i.e., $\gamma_X(z) = \exp_{x_*}^F(zX)$). Then, since r_t is radial, it is described as $r_t(\gamma_X(z)) = r_t^\circ(z)$ ($X \in \widetilde{S}'(x_*, 1)$, $z \in [0, r_B)$) for some function r_t° over $[0, r_B)$, where $\widetilde{S}'(x_*, 1)$ denotes the unit geodesic sphere in F centered x_* and r_B denotes the radius of B . Then we have

$$(6.1) \quad \begin{aligned} (\text{grad } r_t)_{\gamma_X(z)} &= (r_t^\circ)'(z)\gamma_X'(z), & (\Delta_F r_t)(\gamma_X(z)) &= (r_t^\circ)''(z) \\ \text{and } (\nabla^F dr_t)((\text{grad } r_t)_{\gamma_X(z)}, (\text{grad } r_t)_{\gamma_X(z)}) &= (r_t^\circ)'(z)^2(r_t^\circ)''(z). \end{aligned}$$

Since F is invariant, we have $\mathcal{K} = \{1\}$ (hence $k_0 = 1$) and

$$r_{fo}(\gamma) = r_{co}(\gamma) = \begin{cases} \frac{\pi}{2b} & (\varepsilon = 1) \\ \infty & (\varepsilon = -1) \end{cases}$$

for any normal geodesic γ of F and hence

$$r_F = \begin{cases} \frac{\pi}{2b} & (\varepsilon = 1) \\ \infty & (\varepsilon = -1), \end{cases}$$

where $r_{fo}(\gamma), r_{co}(\gamma)$ and r_F are as in Introduction. Denote by ∇^t the Levi-Civita connection of g_t . In the sequel, assume that $t < T_1$. In this section, we estimate the volume of M_t from below of in terms of the infimum and the maximum of the radius function r_t . Furthermore, we show that r_t and the average mean curvature \overline{H}_t are uniformly bounded in terms of the estimate. Denote by π_F^\perp the bundle projection of the normal bundle $T^\perp F$ of F . Set

$$\widetilde{W} := \{\xi \mid \xi \in T^\perp F \text{ s.t. } \|\xi\| < r_F\}$$

and $W := \exp^\perp(\widetilde{W})$. Define a submersion pr_F of W onto F by $\text{pr}_F(\exp^\perp(\xi)) := \pi_F^\perp(\xi)$, where $\xi \in \widetilde{W}$. Let $\tilde{r} : \overline{M} \rightarrow \mathbb{R}$ be the distance function from F , where we note that $\tilde{r}(\exp^\perp(\xi)) = \|\xi\|$ holds for $\xi \in \widetilde{W}$. Define a function $\overline{\psi}$ over $[0, r_F)$ by

$$\overline{\psi}(s) := \left(\prod_{k=1}^2 \left(\frac{\sin(\sqrt{\varepsilon} k b s)}{\sqrt{\varepsilon} k b s} \right)^{m_k^V} \right) \cos^{m_H}(\sqrt{\varepsilon} b s).$$

Since $r_F = \frac{\pi}{2\sqrt{\varepsilon} b}$, $\overline{\psi}$ is positive. From (2.2) and (2.3), we can give the following explicit descriptions of the volume element $dv_{\overline{M}}$ of \overline{M} and the volume $\text{Vol}(D_t)$.

Proposition 6.1. (i) *The volume element $dv_{\overline{M}}$ is given by*

$$(6.2) \quad \begin{aligned} (dv_{\overline{M}})_p &= (\overline{\psi} \circ \tilde{r})(p) \left(((\exp^\perp|_{\widetilde{S}(\text{pr}_F(p), \tilde{r}(p))})^{-1})^* dv_{\widetilde{S}(\text{pr}_F(p), \tilde{r}(p))} \right)_p \\ &\quad \wedge (d\tilde{r})_p \wedge (\text{pr}_F^* dv_F)_p \quad (p \in W) \end{aligned}$$

(ii) The volume $\text{Vol}(D_t)$ is given by

$$(6.3) \quad \text{Vol}(D_t) = v_{m^V} \int_{x \in B} \left(\int_0^{r_t(x)} s^{m^V} \bar{\psi}(s) ds \right) dv_F.$$

Denote by \exp_x^F the exponential map of F at x and $\tilde{S}'(x, a)$ the hypersphere of radius a in $T_x F$ centered the origin. Since B is star-shaped with respect to x_* , B is described as

$$B = \{\exp_{x_*}^F(zX) \mid X \in \tilde{S}'(x_*, 1), 0 \leq z \leq r^B\}.$$

Since F is a symmetric space, we can define the operators corresponding to D_w^{co} and D_w^{si} ($w \in T\bar{M}$) for each $X \in TF$. Deonte by $(D_F)_X^{co}$ and $(D_F)_X^{si}$ these operators. Since F is of rank one, $\det((D_F)_{zX}^{si})$ and $\det((D_F)_{zX}^{co})$ are independent of the choice of X . Define a function ψ_F over \mathbb{R} by $\psi_F(z) := \det((D_F)_{zX}^{si})$. Then we can describe the volume element dv_F of F and can estimate the volume $\text{Vol}(B)$ of B as follows.

Proposition 6.2. (i) The volume element dv_F is given by

$$(6.4) \quad (dv_F)_{\exp_{x_*}^F(zX)} = \psi_F(z) \left(((\exp_{x_*}^F|_{\tilde{S}'(x_*, z)})^{-1})^* dv_{\tilde{S}'(x_*, z)} \right)_{\exp_{x_*}^F(zX)} \wedge (d\tilde{z})_{\exp_{x_*}^F(zX)}$$

for $\exp_{x_*}^F(zX) \in B$, where \tilde{z} is the distance function from x_* in F .

(ii) The volume $\text{Vol}(B)$ is given by

$$(6.5) \quad \text{Vol}(B) = v_{m^H-1} \int_0^{r^B} z^{m^H-1} \psi_F(z) dz.$$

Proof. In similar to (2.2), we have

$$(\exp_{x_*}^F)_*(Y) = \tau_{\gamma_{zX}}((D_F)_{zX}^{si}(Y)),$$

where $X \in \tilde{S}'(x_*, 1)$ and $Y \in T_{zX} \tilde{S}'(x_*, z)$. From this relation, (6.4) follows directly. The relation (6.5) follows directly from (6.4). q.e.d.

Define a function δ_1 and δ_2 over $[0, r_F)$ by

$$\delta_1(s) := \int_0^s s^{m^V} \bar{\psi}(s) ds$$

and

$$\delta_2(s) := \int_0^s \frac{s^{m^V} \bar{\psi}(s)}{\cos(\sqrt{\varepsilon}bs)} ds,$$

respectively. According to (6.3), we have $\frac{\text{Vol}(D_t)}{v_{m^V} \text{Vol}(B)} \in \delta_1([0, r_F])$. Since r_B is smaller than the injective radius of F , $\bar{\psi}(s)$ and $\frac{\bar{\psi}(s)}{\cos(\sqrt{\varepsilon}bs)}$ are positive over $[0, r_B]$. Hence δ_i ($i = 1, 2$) are increasing. Set

$$\hat{r}_1 := \delta_1^{-1} \left(\frac{\text{Vol}(D)}{v_{m^V} \text{Vol}(B)} \right)$$

and

$$\hat{r}_2 := \delta_2^{-1} \left(\frac{\text{Vol}(M)}{v_{m^V}} + \delta_2(\hat{r}_1) \right).$$

Denote by $(r_t)_{\max}$ (resp. $(r_t)_{\min}$) the maximum (resp. the minimum) of r_t . Then we have

$$\begin{aligned} \delta_1(\hat{r}_1) v_{m^V} \text{Vol}(B) &= \text{Vol}(D_t) \\ &= v_{m^V} \int_{x \in B} \delta_1(r_t(x)) dv_F \begin{cases} \geq v_{m^V} \text{Vol}(B) \delta_1((r_t)_{\min}) \\ \leq v_{m^V} \text{Vol}(B) \delta_1((r_t)_{\max}) \end{cases} \end{aligned}$$

and hence $\delta_1((r_t)_{\min}) \leq \delta_1(\hat{r}_1) \leq \delta_1((r_t)_{\max})$, that is, $(r_t)_{\min} \leq \hat{r}_1 \leq (r_t)_{\max}$. Let r_t° be as in Section 5. From Proposition 3.2 and (6.4), we have

$$\begin{aligned} \text{Vol}(M_t) &= v_{m^V} \int_{x \in B} \frac{r_t(x)^{m^V} \bar{\psi}(r_t(x)) \sqrt{\cos^2(\sqrt{\varepsilon}br_t(x)) + \|(\text{grad } r_t)_x\|^2}}{\cos(\sqrt{\varepsilon}br_t(x))} dv_F \\ (6.6) \quad &\geq v_{m^V} \int_{x \in B} \frac{r_t(x)^{m^V} \bar{\psi}(r_t(x)) \|(\text{grad } r_t)_x\|}{\cos(\sqrt{\varepsilon}br_t(x))} dv_F \\ &\geq v_{m^V} \int_{X \in \tilde{S}'(x_*, 1)} \left(\int_0^{r_B} \frac{r_t^\circ(z)^{m^V} \bar{\psi}(r_t^\circ(z))}{\cos(\sqrt{\varepsilon}br_t^\circ(z))} \right. \\ &\quad \left. \times z^{m^H-1} \det((D_F)_{zX}^{s_i})(r_t^\circ)'(z) dz \right) dv_{\tilde{S}'(x_*, 1)}, \end{aligned}$$

where $x = \gamma_X(z)$. Also, we have

$$(6.7) \quad \begin{aligned} z^{m^H-1} \det((D_F)_{zX}^{s_i}) &= \prod_{k=1}^2 \left(\frac{\sin(\sqrt{\varepsilon}kbz)}{\sqrt{\varepsilon}kb} \right)^{m_k^H} \\ &\geq \begin{cases} \prod_{k=1}^2 \left(\frac{\sin(\sqrt{\varepsilon}kbz)}{\sqrt{\varepsilon}kb} \right)^{m_k^H} & (\bar{M} : \text{of compact type}) \\ 1 & (\bar{M} : \text{of noncompact type}) \end{cases} \end{aligned}$$

Set

$$a_{r_B} := \begin{cases} \prod_{k=1}^2 \left(\frac{\sin(\sqrt{\varepsilon} k b r_B)}{\sqrt{\varepsilon} k b} \right)^{m_k^H} & (\overline{M} : \text{of compact type}) \\ 1 & (\overline{M} : \text{of noncompact type}). \end{cases}$$

From (6.6), (6.7) and $\max_{z \in [0, r_B]} r_t^\circ(z) = (r_t)_{\max}$ and $\min_{z \in [0, r_B]} r_t^\circ(z) = (r_t)_{\min}$, we can estimate the volume of M_t from below as follows:

$$(6.8) \quad \begin{aligned} \text{Vol}(M_t) &\geq a_{r_B} v_{m^V} v_{m^{H-1}} \int_{(r_t)_{\min}}^{(r_t)_{\max}} \frac{s^{m^V} \overline{\psi}(s)}{\cos(\sqrt{\varepsilon} b s)} ds \\ &= a_{r_B} v_{m^V} v_{m^{H-1}} (\delta_2((r_t)_{\max}) - \delta_2((r_t)_{\min})). \end{aligned}$$

On the other hand, since $\text{Vol}(D_t)$ preserves invariantly along the volume-preserving mean curvature flow and $\text{Vol}(M_t)$ is decreasing along the flow, we have $\text{Vol}(D_t) = \text{Vol}(D_0)$ and $\text{Vol}(M_t) \leq \text{Vol}(M_0)$. Hence we have

$$\begin{aligned} (r_t)_{\max} &\leq \delta_2^{-1} \left(\delta_2(\hat{r}_1) + \frac{\text{Vol}(M_0)}{a_{r_B} v_{m^V} v_{m^{H-1}}} \right) \\ &\leq \delta_2^{-1} \left(\frac{\text{Vol}(D_0)}{v_{m^V} \text{Vol}(B)} + \frac{\text{Vol}(M_0)}{a_{r_B} v_{m^V} v_{m^{H-1}}} \right). \end{aligned}$$

Thus we obtain the following result.

Proposition 6.3. *The family $\{r_t\}_{t \in [0, T_1]}$ is uniformly bounded as follows:*

$$(6.10) \quad \sup_{(x,t) \in B \times [0, T_1]} r_t(x) \leq \delta_2^{-1} \left(\delta_2(\hat{r}_1) + \frac{\text{Vol}(M_0)}{a_{r_B} v_{m^V} v_{m^{H-1}}} \right).$$

For uniformly boundedness of the average mean curvatures $|\overline{H}|$, we have the following result.

Proposition 6.4. *If $0 < a_1 \leq r_t(x) \leq a_2 < r_F$ holds for all $(x, t) \in M \times [0, T_0]$ ($T_0 < T_1$), then $\max_{t \in [0, T_0]} \overline{H}_t \leq C(a_1, a_2)$ holds for some constant $C(a_1, a_2)$ depending only on a_1 and a_2 .*

Proof. According to (3.8), we have

$$(6.11) \quad \overline{H}_t = \frac{1}{\int_B r_t^{m^V} \psi_{r_t} dv_F} \times \int_{x \in B} r_t(x)^{m^V} \psi_{r_t}(x) \left(\rho_{r_t}(x) - \frac{\cos(\sqrt{\varepsilon} b r_t(x)) (r_t^\circ)''(z)}{(\cos^2(\sqrt{\varepsilon} b r_t(x)) + (r_t^\circ)'(z)^2)^{3/2}} \right) dv_F$$

($x = \gamma_X(z)$), where ρ_{r_t} and ψ_{r_t} are the functions defined for r_t in similar to ρ_r and ψ_r (see (3.3) and (3.4)). Take any $(\xi, t) \in M \times [0, T_0]$ and let $x := c(\xi, t) = r_X(z)$. According to the definitions of ρ_{r_t} and ψ_{r_t} , we have the following estimates

$$(6.12) \quad \rho_{r_t}(x) \leq \sum_{k=1}^2 \frac{m_k^V \sqrt{\varepsilon} k b}{\tan(\sqrt{\varepsilon} k b r_t(x))} + \sqrt{\varepsilon} b \tan(\sqrt{\varepsilon} b r_t(x)).$$

Since $0 < a_1 \leq r_t(x) \leq a_2 < r_F$ by the assumption, we have

$$\sum_{k=1}^2 \frac{m_k^V \sqrt{\varepsilon} k b}{\tan(\sqrt{\varepsilon} k b r_t(x))} + \sqrt{\varepsilon} b \tan(\sqrt{\varepsilon} b r_t(x)) \leq C_1(a_1, a_2)$$

for some positive constant $C_1(a_1, a_2)$ depending only on a_1 and a_2 . Hence we have

$$(6.13) \quad \frac{\int_B \rho_{r_t} r_t^{m^V} \psi_{r_t} dv_F}{\int_B r_t^{m^V} \psi_{r_t} dv_F} \leq C_1(a_1, a_2).$$

By a simple calculation, we have

$$(6.14) \quad \begin{aligned} & \frac{d}{dz} \arctan \left(\frac{(r_t^\circ)'(z)}{\cos(\sqrt{\varepsilon} b r_t(x))} \right) \\ &= \frac{\cos(\sqrt{\varepsilon} b r_t(x))(r_t^\circ)''(z)}{\cos^2(\sqrt{\varepsilon} b r_t(x)) + (r_t^\circ)'(z)^2} + \frac{\sqrt{\varepsilon} b \sin(\sqrt{\varepsilon} b r_t(x))(r_t^\circ)'(z)^2}{\cos^2(\sqrt{\varepsilon} b r_t(x)) + (r_t^\circ)'(z)^2}. \end{aligned}$$

By using this relation and the definition of ψ_{r_t} , we can derive

$$(6.15) \quad \begin{aligned} & - \int_{x \in B} \frac{\cos(\sqrt{\varepsilon} b r_t(x))(r_t^\circ)''(z) r_t(x)^{m^V} \psi_{r_t}(x)}{(\cos^2(\sqrt{\varepsilon} b r_t(x)) + (r_t^\circ)'(z)^2)^{3/2}} dv_F \\ &= - \int_{x \in B} \frac{r_t(x)^{m^V} \psi_{r_t}(x)}{\sqrt{\cos^2(\sqrt{\varepsilon} b r_t(x)) + (r_t^\circ)'(z)^2}} \cdot \frac{d}{dz} \arctan \left(\frac{(r_t^\circ)'(z)}{\cos(\sqrt{\varepsilon} b r_t(x))} \right) dv_F \\ &+ \int_{x \in B} \frac{\sqrt{\varepsilon} b \sin(\sqrt{\varepsilon} b r_t(x))(r_t^\circ)'(z)^2 r_t(x)^{m^V} \psi_{r_t}(x)}{(\cos^2(\sqrt{\varepsilon} b r_t(x)) + (r_t^\circ)'(z)^2)^{3/2}} dv_F \\ &\leq - \int_{x \in B} \left(\prod_{k=1}^2 \left(\frac{\sin(\sqrt{\varepsilon} k b r_t(x))}{\sqrt{\varepsilon} k b} \right)^{m_k^V} \right) \cos^{m_{k_0}^H - 1}(\sqrt{\varepsilon} k_0 b r_t(x)) \\ &\quad \times \frac{d}{dz} \arctan \left(\frac{(r_t^\circ)'(z)}{\cos(\sqrt{\varepsilon} b r_t(x))} \right) \cdot r_t(x)^{m^V} dv_F \\ &+ \int_{x \in B} \sqrt{\varepsilon} b \tan(\sqrt{\varepsilon} b r_t(x)) r_t(x)^{m^V} \psi_{r_t}(x) dv_F. \end{aligned}$$

Since $0 < a_1 \leq r_t(x) \leq a_2 < r_F$ by the assumption, we have

$$\sqrt{\varepsilon} b \tan(\sqrt{\varepsilon} b r_t(x)) \leq C_2(a_1, a_2)$$

for some positive constant $C_2(a_1, a_2)$ depending only on a_1 and a_2 . Hence we have

$$(6.16) \quad \frac{\int_{x \in B} \tan(\sqrt{\varepsilon} b r_t(x)) r_t(x)^{m^V} \psi_{r_t}(x) dv_F}{\int_B r_t^{m^V} \psi_{r_t} dv_F} \leq C_2(a_1, a_2).$$

By integrating by parts and using (6.4) and $(r_t^\circ)'(0) = (r_t^\circ)'(r_B) = 0$ (which holds by the boundary condition (C1)), we have

$$(6.17) \quad \begin{aligned} & - \int_{x \in B} \left(\prod_{k=1}^2 \left(\frac{\sin(\sqrt{\varepsilon} k b r_t(x))}{\sqrt{\varepsilon} k b} \right)^{m_k^V} \cdot \cos^{m^H-1}(\sqrt{\varepsilon} b r_t(x)) \right. \\ & \quad \left. \times \frac{d}{dz} \arctan \left(\frac{(r_t^\circ)'(z)}{\cos(\sqrt{\varepsilon} b r_t(x))} \right) \cdot r_t(x)^{m^V} \right) dv_F \\ = & - \int_{\tilde{S}'(x_*, 1)} \left(\int_0^{r_B} \left(\prod_{k=1}^2 \left(\frac{\sin(\sqrt{\varepsilon} k b r_t(x))}{\sqrt{\varepsilon} k b} \right)^{m_k^V} \cdot \cos^{m_{k_0}^H-1}(\sqrt{\varepsilon} k_0 b r_t(x)) \right. \right. \\ & \quad \left. \left. \times \frac{d}{dz} \arctan \left(\frac{(r_t^\circ)'(z)}{\cos(\sqrt{\varepsilon} b r_t(x))} \right) \cdot r_t(x)^{m^V} \psi_F(z) z^{m^H-1} \right) dz \right) dv_{\tilde{S}'(x_*, 1)} \\ = & \int_{\tilde{S}'(x_*, 1)} \left(\int_0^{r_B} \left(\frac{d}{ds} \Big|_{s=r_t(x)} \left(\prod_{k=1}^2 \left(\frac{\sin(\sqrt{\varepsilon} k b s)}{\sqrt{\varepsilon} k b} \right)^{m_k^V} \cdot \cos^{m_{k_0}^H-1}(\sqrt{\varepsilon} k_0 b s) s^{m^V} \right) \right. \right. \\ & \quad \left. \left. \times \arctan \left(\frac{(r_t^\circ)'(z)}{\cos(\sqrt{\varepsilon} b r_t(x))} \right) (r_t^\circ)'(z) \psi_F(z) z^{m^H-1} dz \right) dv_{\tilde{S}'(x_*, 1)} \right. \\ & \left. + \int_{\tilde{S}'(x_*, 1)} \left(\int_0^{r_B} \left(\prod_{k=1}^2 \left(\frac{\sin(\sqrt{\varepsilon} k b r_t(x))}{\sqrt{\varepsilon} k b} \right)^{m_k^V} \cdot \cos^{m_{k_0}^H-1}(\sqrt{\varepsilon} k_0 b r_t(x)) r_t(x)^{m^V} \right. \right. \right. \\ & \quad \left. \left. \times \arctan \left(\frac{(r_t^\circ)'(z)}{\cos(\sqrt{\varepsilon} b r_t(x))} \right) \frac{d}{dz} \left(\psi_F(z) z^{m^H-1} \right) \right) dz \right) dv_{\tilde{S}'(x_*, 1)}. \end{aligned}$$

Also, we have

$$\begin{aligned}
& \int_{\tilde{S}'(x_*,1)} \left(\int_0^{r_B} \left(\frac{d}{ds} \Big|_{s=r_t(x)} \left(\prod_{k=1}^2 \left(\frac{\sin(\sqrt{\varepsilon}kbs)}{\sqrt{\varepsilon}kb} \right)^{m_k^V} \cdot \cos^{m_{k_0}^H-1}(\sqrt{\varepsilon}k_0bs)s^{m^V} \right) \right. \right. \\
& \quad \left. \left. \times \arctan \left(\frac{(r_t^\circ)'(z)}{\cos(\sqrt{\varepsilon}br_t(x))} \right) (r_t^\circ)'(z)\psi_F(z)z^{m^H-1} \right) dz \right) dv_{\tilde{S}'(x_*,1)} \\
& \leq \frac{\pi}{2} \int_{\tilde{S}'(x_*,1)} \left(\int_0^{r_B} \left| \frac{d}{ds} \Big|_{s=r_t(x)} \log \left(\prod_{k=1}^2 \left(\frac{\sin(\sqrt{\varepsilon}kbs)}{\sqrt{\varepsilon}kb} \right)^{m_k^V} \cdot \cos^{m_{k_0}^H-1}(\sqrt{\varepsilon}k_0bs)s^{m^V} \right) \right| \right. \\
& \quad \times \prod_{k=1}^2 \left(\frac{\sin(\sqrt{\varepsilon}kbr_t(x))}{\sqrt{\varepsilon}kb} \right)^{m_k^V} \cdot \cos^{m_{k_0}^H-1}(\sqrt{\varepsilon}k_0br_t(x))r_t(x)^{m^V} \\
& \quad \left. \times \sqrt{\cos^2(\sqrt{\varepsilon}k_0br_t(x)) + (r_t^\circ)'(z)^2}\psi_F(z)z^{m^H-1} dz \right) dv_{\tilde{S}'(x_*,1)} \\
& \leq \frac{\pi}{2} \int_{x \in B} \left| \frac{d}{ds} \Big|_{s=r_t(x)} \log \left(\prod_{k=1}^2 \left(\frac{\sin(\sqrt{\varepsilon}kbs)}{\sqrt{\varepsilon}kb} \right)^{m_k^V} \cdot \cos^{m_{k_0}^H-1}(\sqrt{\varepsilon}k_0bs)s^{m^V} \right) \right| \\
& \quad \times r_t(x)^{m^V} \psi_{r_t}(x) dv_F.
\end{aligned}$$

Since $0 < a_1 \leq r_t(x) \leq a_2 < r_F$ by the assumption, we have

$$\frac{\pi}{2} \left| \frac{d}{ds} \Big|_{s=r_t(x)} \log \left(\prod_{k=1}^2 \left(\frac{\sin(\sqrt{\varepsilon}kbs)}{\sqrt{\varepsilon}kb} \right)^{m_k^V} \cdot \cos^{m_{k_0}^H-1}(\sqrt{\varepsilon}k_0bs)s^{m^V} \right) \right| \leq C_3(a_1, a_2)$$

for some positive constant $C_3(a_1, a_2)$ depending only on a_1 and a_2 . Hence we have (6.18)

$$\begin{aligned}
& \frac{1}{\int_B r_t^{m^V} \psi_{r_t} dv_F} \times \\
& \int_{\tilde{S}'(x_*,1)} \left(\int_0^{r_B} \left(\frac{d}{ds} \Big|_{s=r_t(x)} \left(\prod_{k=1}^2 \left(\frac{\sin(\sqrt{\varepsilon}kbs)}{\sqrt{\varepsilon}kb} \right)^{m_k^V} \cdot \cos^{m_{k_0}^H-1}(\sqrt{\varepsilon}k_0bs)s^{m^V} \right) \right. \right. \\
& \quad \left. \left. \times \arctan \left(\frac{(r_t^\circ)'(z)}{\cos(\sqrt{\varepsilon}br_t(x))} \right) (r_t^\circ)'(z)\psi_F(z)z^{m^H-1} \right) dz \right) dv_{\tilde{S}'(x_*,1)} \\
& \leq C_3(a_1, a_2).
\end{aligned}$$

Also we have

$$\begin{aligned}
& \int_{\tilde{S}'(x_{*,1})} \left(\int_0^{r_B} \left(\prod_{k=1}^2 \left(\frac{\sin(\sqrt{\varepsilon} k b r_t(x))}{\sqrt{\varepsilon} k b} \right)^{m_k^V} \cdot \cos^{m^H-1}(\sqrt{\varepsilon} b r_t(x)) r_t(x)^{m^V} \right. \right. \\
& \quad \left. \left. \times \arctan \left(\frac{(r_t^\circ)'(z)}{\cos(\sqrt{\varepsilon} b r_t(x))} \right) \frac{d}{dz} (\psi_F(z) z^{m^H-1}) \right) dz \right) dv_{\tilde{S}'(x_{*,1})} \\
& \leq \frac{\pi}{2} \int_{\tilde{S}'(x_{*,1})} \left(\int_0^{r_B} \left(\frac{\sqrt{\cos^2(\sqrt{\varepsilon} b r_t(x)) + (r_t^\circ)'(z)^2}}{\cos(\sqrt{\varepsilon} b r_t(x))} \right. \right. \\
& \quad \left. \left. \times \prod_{k=1}^2 \left(\frac{\sin(\sqrt{\varepsilon} k b r_t(x))}{\sqrt{\varepsilon} k b} \right)^{m_k^V} \cdot \cos^{m^H-1}(\sqrt{\varepsilon} b r_t(x)) \right. \right. \\
& \quad \left. \left. \times r_t(x)^{m^V} \cdot \frac{d}{dz} (\psi_F(z) z^{m^H-1}) \right) dz \right) dv_{\tilde{S}'(x_{*,1})} \\
& \leq \frac{\pi}{2} \int_{x \in B} \left(\frac{1}{\cos(\sqrt{\varepsilon} b r_t(x))} \cdot \frac{d}{dz} (\psi_F(z) z^{m^H-1}) \right) dv_F.
\end{aligned}$$

Since $0 < a_1 \leq r_t(x) \leq a_2 < r_F$ by the assumption, we have

$$\frac{1}{\cos(\sqrt{\varepsilon} b r_t(x))} \cdot \frac{d}{dz} (\psi_F(z) z^{m^H-1}) \leq C_4(a_1, a_2)$$

for some positive constant $C_4(a_1, a_2)$ depending only on a_1 and a_2 . Hence we have

$$\begin{aligned}
(6.19) \quad & \frac{1}{\int_B r_t^{m^V} \psi_{r_t} dv_F} \times \\
& \int_{\tilde{S}'(x_{*,1})} \left(\int_0^{r_B} \left(\prod_{k=1}^2 \left(\frac{\sin(\sqrt{\varepsilon} k b r_t(x))}{\sqrt{\varepsilon} k b} \right)^{m_k^V} \cdot \cos^{m^H-1}(\sqrt{\varepsilon} b r_t(x)) r_t(x)^{m^V} \right. \right. \\
& \quad \left. \left. \times \arctan \left(\frac{(r_t^\circ)'(z)}{\cos(\sqrt{\varepsilon} b r_t(x))} \right) \frac{d}{dz} (\psi_F(z) z^{m^H-1}) \right) dz \right) dv_{\tilde{S}'(x_{*,1})} \\
& \leq C_4(a_1, a_2).
\end{aligned}$$

From (6.15) – (6.19), we can derive

$$\begin{aligned}
(6.20) \quad & - \frac{1}{\int_B r_t^{m^V} \psi_{r_t} dv_F} \cdot \int_{x \in B} \frac{\cos(\sqrt{\varepsilon} b r_t(x)) (r_t^\circ)''(z) r_t(x)^{m^V} \psi_{r_t}(x)}{(\cos^2(\sqrt{\varepsilon} b r_t(x)) + (r_t^\circ)'(z)^2)^{3/2}} dv_F \\
& \leq \sum_{i=2}^4 C_i(a_1, a_2).
\end{aligned}$$

From (6.11), (6.13) and (6.20), we obtain

$$\overline{H}_t \leq \sum_{i=1}^4 C_i(a_1, a_2) \quad (t \in [0, T_0]).$$

q.e.d.

For uniformly positivity of the average mean curvatures $|\overline{H}|$, we have the following result.

Proposition 6.5. *Assume that \overline{M} is of non-compact type. If $r_t(x) \geq a > 0$ holds for all $(x, t) \in M \times [0, T_0]$ ($T_0 < T_1$), then $\min_{t \in [0, T_0]} \overline{H}_t \geq \widehat{C}(a)$ holds for some constant $\widehat{C}(a)$ depending only on a .*

Proof. Take any $x = \gamma_X(z) \in B$ and any $t \in [0, T_0]$. The function $\rho_{r_t} \psi_{r_t}$ is described as follows:

$$\begin{aligned} \rho_{r_t} \psi_{r_t}(x) &= \prod_{k=1}^2 \left(\frac{\sin(\sqrt{\varepsilon} k b r_t(x))}{\sqrt{\varepsilon} k b} \right)^{m_k^V} \cdot \cos^{m^H}(\sqrt{\varepsilon} b r_t(x)) \\ &\quad \times \left(\sum_{k=1}^2 \frac{m_k^V \sqrt{\varepsilon} k b}{\tan(\sqrt{\varepsilon} k b r_t(x))} - m^H \sqrt{\varepsilon} k b \tan(\sqrt{\varepsilon} k b r_t(x)) \right. \\ &\quad \left. + \frac{(r_t^\circ)'(z)^2 \sqrt{\varepsilon} b \tan(\sqrt{\varepsilon} b r_t(x))}{\cos^2(\sqrt{\varepsilon} b r_t(x)) + (r_t^\circ)'(z)^2} \right), \end{aligned}$$

Since \overline{M} is of non-compact type (i.e., $\varepsilon = -1$), we have

$$(6.21) \quad \begin{aligned} \cos(\sqrt{\varepsilon} k b r_t(x)) &= \cosh(k b r_t(x)), \quad \frac{\sqrt{\varepsilon} k b}{\tan(\sqrt{\varepsilon} k b r_t(x))} = \frac{k b}{\tanh(k b r_t(x))} \\ \text{and } \sqrt{\varepsilon} k b \tan(\sqrt{\varepsilon} k b r_t(x)) &= -k b \tanh(k b r_t(x)). \end{aligned}$$

Hence, according to the above description of $\rho_{r_t} \psi_{r_t}(x)$, we have $\rho_{r_t} \psi_{r_t} \geq 0$. Furthermore, since $r_t(x) \geq a > 0$ by the assumption,

$$(6.22) \quad \rho_{r_t} \psi_{r_t}(x) \geq C'(a) (> 0)$$

holds for some positive constant $C'(a)$ (depending only on a (independent of $(x, t) \in B \times [0, T_0]$). This fact together with $\int_B r_t^{m^V} \psi_{r_t} dv_F = \text{Vol}(M_t) \leq \text{Vol}(M_0)$ implies

$$(6.23) \quad \frac{\int_B r_t^{m^V} \rho_{r_t} \psi_{r_t} dv_F}{\int_B r_t^{m^V} \psi_{r_t} dv_F} \geq \frac{a^{m^V} C'(a) \text{Vol}(B)}{\text{Vol}(M_0)}.$$

Also, we have

$$\begin{aligned}
& - \int_{x \in B} \frac{\cos(\sqrt{\varepsilon} b r_t(x)) (r_t^\circ)''(z) r_t(x)^{m_V} \psi_{r_t}(x)}{(\cos^2(\sqrt{\varepsilon} b r_t(x)) + (r_t^\circ)'(z)^2)^{3/2}} dv_F \\
&= - \int_{x \in B} \frac{r_t(x)^{m_V} \psi_{r_t}(x)}{\sqrt{\cos^2(\sqrt{\varepsilon} b r_t(x)) + (r_t^\circ)'(z)^2}} \cdot \frac{d}{dz} \arctan \left(\frac{(r_t^\circ)'(z)}{\cos(\sqrt{\varepsilon} b r_t(x))} \right) dv_F \\
&+ \int_{x \in B} \frac{\sin(\sqrt{\varepsilon} b r_t(x)) (r_t^\circ)'(z)^2 r_t(x)^{m_V} \psi_{r_t}(x)}{(\cos^2(\sqrt{\varepsilon} b r_t(x)) + (r_t^\circ)'(z)^2)^{3/2}} dv_F.
\end{aligned}$$

By integrating the first term in the right-hand side by parts and using (6.21), we can show

$$(6.24) \quad - \int_{x \in B} \frac{\cos(\sqrt{\varepsilon} b r_t(x)) (r_t^\circ)''(z) r_t(x)^{m_V} \psi_{r_t}(x)}{(\cos^2(\sqrt{\varepsilon} b r_t(x)) + (r_t^\circ)'(z)^2)^{3/2}} dv_F \geq 0.$$

From (6.11), (6.23), (6.24) and the arbitrariness of t , we can derive

$$\min_{t \in [0, T_0]} \bar{H}_t \geq \frac{a^{m_V} C'(a) \text{Vol}(B)}{\text{Vol}(M_0)}.$$

q.e.d.

7 Proof of Theorem A

In this section, we shall prove Theorem A in terms of the evolution equation (5.21) of \hat{v}_t and Propositions 6.4 and 6.5.

Proof of Theorem A. Suppose that $T_1 < T$. Take any $t_0 \in (T_1, T)$. Set

$$\beta_1(t_0) := \min_{(x,t) \in B \times [0, t_0]} r_t(x) (> 0) \quad \text{and} \quad \beta_2(t_0) := \max_{(x,t) \in B \times [0, t_0]} r_t(x) (< \infty).$$

According to Propositions 6.4 and 6.5, we have

$$0 < \hat{C}(\beta_1(t_0)) < \bar{H}_t < C(\beta_1(t_0), \beta_2(t_0)) \quad (t \in [0, T_1]),$$

where we note that $r_F = \infty$ because \bar{M} is of non-compact type. By using the evolution equation (5.21) for \hat{v}_t , this inequality, $(1 - 1/\hat{v}_t^2)\hat{v}_t \leq \hat{v}_t$, $\hat{v}_t \geq 1$ and (6.21), we can derive

$$\begin{aligned}
(7.1) \quad & \frac{\partial \hat{v}}{\partial t}(\xi, t) - (\Delta_t \hat{v}_t)(\xi) \\
& \leq \hat{v}(\xi, t) \left(\sum_{k=1}^2 \frac{m_k^V (kb)^2}{\sinh^2(kb\hat{r}(\xi, t))} + b \tanh(b\hat{r}(\xi, t)) \sum_{k=1}^2 \frac{m_k^V kb}{\tanh(kb\hat{r}(\xi, t))} \right) \\
& \quad - \hat{v}(\xi, t)^2 \hat{C}(\beta_1(t_0)) b \tanh(b\hat{r}(\xi, t)) + C(\beta_1(t_0), \beta_2(t_0))
\end{aligned}$$

($t \in [0, T_1]$). For simplicity, set

$$K_1(\beta_1(t_0), \beta_2(t_0)) := \sum_{k=1}^2 \frac{m_k^V (kb)^2}{\sinh^2(kb\beta_1(t_0))} + b \tanh(b\beta_2(t_0)) \sum_{k=1}^2 \frac{m_k^V kb}{\tanh(kb\beta_1(t_0))}$$

and

$$K_2(\beta_1(t_0)) := \widehat{C}(\beta_1(t_0)) b \tanh(b\beta_1(t_0)).$$

Take any $t_1 \in [0, T_1]$. Let $(\xi_2, t_2) \in M \times [0, t_1]$ be a point attaining the maximum of \widehat{v} over $M \times [0, t_1]$. Since $\widehat{v}_{t_2} = 1$ along ∂M , (ξ_2, t_2) belongs to the interior of $M \times [0, t_1]$. Then we have $\frac{\partial \widehat{v}}{\partial t}(\xi_2, t_2) = 0$ and $(\Delta_{t_2} \widehat{v}_{t_2})(\xi_2) \leq 0$, that is, $\frac{\partial \widehat{v}}{\partial t}(\xi_2, t_2) - (\Delta_{t_2} \widehat{v}_{t_2})(\xi_2) \geq 0$. Hence, from (7.1), we can derive

$$\begin{aligned} & \max_{(\xi, t) \in M \times [0, t_1]} \widehat{v}(\xi, t) = \widehat{v}(\xi_2, t_2) \\ & \leq \frac{K_1(\beta_1(t_0), \beta_2(t_0)) + \sqrt{K_1(\beta_1(t_0), \beta_2(t_0))^2 + 4K_2(\beta_1(t_0))C(\beta_1(t_0), \beta_2(t_0))}}{2}. \end{aligned}$$

From the arbitrariness of t_1 , we obtain

$$\begin{aligned} & \sup_{(\xi, t) \in M \times [0, T_1]} \widehat{v}(\xi, t) \\ & \leq \frac{K_1(\beta_1(t_0), \beta_2(t_0)) + \sqrt{K_1(\beta_1(t_0), \beta_2(t_0))^2 + 4K_2(\beta_1(t_0))C(\beta_1(t_0), \beta_2(t_0))}}{2}, \end{aligned}$$

which implies that M_{T_1} is a tube over B and that, furthermore, so are also M_t 's ($t \in [T_1, T_1 + \varepsilon]$) for a sufficiently small positive number ε (smaller than $t_0 - T_1$). This contradicts the definition of T_1 . Therefore we obtain $T_1 = T$. That is, M_t ($t \in [0, T]$) remain to be tubes over B . q.e.d.

8 Proofs of Theorem B and C

We use the notations in Introduction and Sections 1-7. Assume that \overline{M} is a rank one symmetric space of non-compact type other than a (real) hyperbolic space and r_0 is radial (hence so are lso r_t 's ($0 \leq t < T$)). Set $r_{\inf} := \inf_{(x, t) \in B \times [0, T]} r_t(x)$ and $r_{\sup} := \sup_{(x, t) \in B \times [0, T]} r_t(x)$. In this section, we shall prove Theorems B and C. Since \overline{M} is a symmetric space, we have $\overline{\nabla} \overline{R} = 0$. Hence, according to (6.1) in [CM2], we obtain the following evolution equation for $\|A_t\|_t^2$.

Lemma 8.1([CM2]). *The family $\{\|A_t\|_t^2\}_{t \in [0, T]}$ satisfies*

$$\begin{aligned} & \frac{\partial \|A_t\|_t^2}{\partial t} - \Delta_t \|A_t\|_t^2 \\ &= -2\|\nabla^t A_t\|_t^2 + 2\|A_t\|_t^2(\|A_t\|_t^2 + \overline{\text{Ric}}(N_t, N_t)) \\ & \quad - 2\overline{H}_t (\text{Tr} A_t^3 + \text{Tr}_{g_t} \overline{R}(A_t(\bullet), N_t, N_t, \bullet)) \\ & \quad - 4\text{Tr}_{g_t} \overline{R}(\cdot, A_t(\bullet), A_t(\bullet), \cdot) + 4\text{Tr}_{g_t} \overline{R}(\cdot, A_t(\bullet), \bullet, A_t(\cdot)). \end{aligned}$$

Set $\kappa := \frac{1}{2 \sup_{(\xi, t) \in M \times [0, T]} \widehat{v}(\xi, t)^2}$. According to Theorem A, we have $\kappa < \infty$. Define a function φ over $[0, 1/\sqrt{\kappa})$ by $\varphi(s) := \frac{s^2}{1 - \kappa s^2}$ and a function Φ_t over M by

$$\Phi_t(\xi) := (\varphi \circ \widehat{v}_t)(\xi) \|A_t\|_\xi^2 \quad (\xi \in M).$$

Also, define a function Φ over $M \times [0, T)$ by $\Phi(\xi, t) := \Phi_t(\xi)$ ($(\xi, t) \in M \times [0, T)$). By a simple calculation, we can derive the following evolution equation for Φ_t 's ($t \in [0, T)$).

Lemma 8.2. *The family $\{\Phi_t\}_{t \in [0, T)}$ satisfies*

$$\begin{aligned} & \frac{\partial \Phi}{\partial t} - \Delta_t \Phi_t \\ &= (\varphi' \circ \widehat{v}_t) \|A_t\|_t^2 \left(\frac{\partial \widehat{v}}{\partial t} - \Delta_t \widehat{v}_t \right) + (\varphi \circ \widehat{v}_t) \left(\frac{\partial \|A_t\|_t^2}{\partial t} - \Delta_t \|A_t\|_t^2 \right) \\ & \quad - (\varphi'' \circ \widehat{v}_t) \|A_t\|_t^2 \|\text{grad}_t \widehat{v}\|_t^2 - 2g_t(\text{grad}_t((\varphi \circ \widehat{v}_t), \text{grad}_t \|A_t\|_t^2). \end{aligned}$$

By using these lemmas, (5.21), Propositions 6.3, 6.4 and 6.5, we shall prove Theorem B.

Proof of Theorem B. Suppose that $\inf_{(\xi, t) \in M \times [0, T)} \widehat{r}(\xi, t) > 0$ and $T < \infty$. Then we suffice to show that $T = \infty$ and that M_t converges to a tube of constant mean curvature over B (in C^∞ -topology) as $t \rightarrow \infty$. Set $a_1 := \inf_{(\xi, t) \in M \times [0, T)} \widehat{r}(\xi, t)$ and $a_2 := \sup_{(\xi, t) \in M \times [0, T)} \widehat{r}(\xi, t)$. According to Proposition 6.3, we have

$$a_2 \leq \delta_2^{-1} \left(\delta_2(\widehat{r}_1) + \frac{\text{Vol}(M_0)}{a_{r_B} v_m^V v_{m^{H-1}}} \right).$$

According to Propositions 6.4 and 6.5, we have

$$(8.1) \quad 0 < \widehat{C}(a_1) \leq \overline{H}_t \leq C(a_1, a_2) < \infty \quad (t \in [0, T)).$$

According to the first inequality in Page 555 in [EH] (see also (6.4) and (6.5) of P502 in [CM2]), we have

$$\begin{aligned}
& -2g_t(\text{grad}_t(\varphi \circ \widehat{v}_t), \text{grad}_t(\|A_t\|_t^2)) \\
(8.2) \quad & \leq -\frac{1}{\varphi \circ \widehat{v}_t} g_t(\text{grad}_t \Phi_t, \text{grad}_t(\varphi \circ \widehat{v}_t)) + 2(\varphi \circ \widehat{v}_t) \|\nabla^t A_t\|_t^2 \\
& \quad + \frac{3}{2(\varphi \circ \widehat{v}_t)} \|A_t\|_t^2 \|\text{grad}_t(\varphi \circ \widehat{v}_t)\|_t^2.
\end{aligned}$$

Also, according to Kato's inequality, we have

$$(8.3) \quad \|\text{grad}_t \|A_t\|_t\|_t^2 \leq \|\nabla^t A_t\|_t^2.$$

By using these relations, (5.21), Lemmas 8.1 and 8.2, we can derive

$$\begin{aligned}
& \frac{\partial \Phi}{\partial t} - \Delta_t \Phi_t \\
(8.4) \quad & \leq (\varphi' \circ \widehat{v}_t) \|A_t\|_t^2 \left\{ K_1(a_1, a_2) \widehat{v}_t - K_2(a_1) \widehat{v}_t^2 - \frac{2}{\widehat{v}_t} \|\text{grad}_t \widehat{v}_t\|_t^2 \right. \\
& \quad \left. - \widehat{v}_t \left(\lambda_t + \frac{m^H b \tanh(b \widehat{r}_t)}{\widehat{v}_t} \right)^2 \right\} \\
& \quad + 2(\varphi \circ \widehat{v}_t) \|A_t\|_t^4 + 2(\varphi \circ \widehat{v}_t) \|A_t\|_t^2 \overline{\text{Ric}}(N_t, N_t) \\
& \quad - 2(\varphi \circ \widehat{v}_t) \overline{H}_t \cdot \text{Tr} A_t^3 - 2(\varphi \circ \widehat{v}_t) \overline{H}_t \text{Tr}_{g_t}^\bullet \overline{R}(A_t(\bullet), N_t, N_t, \bullet) \\
& \quad - 4(\varphi \circ \widehat{v}_t) \text{Tr}_{g_t}^\bullet \text{Tr}_{g_t} \overline{R}(\cdot, A_t(\bullet), A_t(\bullet), \cdot) \\
& \quad + 4(\varphi \circ \widehat{v}_t) \text{Tr}_{g_t}^\bullet \text{Tr}_{g_t} \overline{R}(\cdot, A_t(\bullet), \bullet, A_t(\cdot)) \\
& \quad - (\varphi'' \circ \widehat{v}_t) \|A_t\|_t^2 \cdot \|\text{grad}_t \widehat{v}_t\|_t^2 - \frac{1}{\varphi \circ \widehat{v}_t} g_t(\text{grad}_t \Phi_t, \text{grad}_t(\varphi \circ \widehat{v}_t)) \\
& \quad + \frac{3}{2(\varphi \circ \widehat{v}_t)} \|A_t\|_t^2 \cdot \|\text{grad}_t(\varphi \circ \widehat{v}_t)\|_t^2
\end{aligned}$$

According to (8.1), $\{\tanh(b \widehat{r}_t)\}_{t \in [0, T]}$ and $\{\overline{\text{Ric}}(N_t, N_t)\}_{t \in [0, T]}$ are uniformly bounded. Hence, by the same discussion as in the second-half part in the proof of Theorem A of [CM2] (see Line 15 of Page 502-Line 14 of Page 503), we can derive

$$\begin{aligned}
(8.5) \quad & \frac{\partial \Phi}{\partial t} - \Delta_t \Phi_t \leq -\frac{\kappa}{2} \Phi_t^2 + K_3 \Phi_t + K_4 \sqrt{\Phi_t} \\
& \quad - \frac{1}{\varphi \circ \widehat{v}_t} g_t(\text{grad}_t \Phi_t, \text{grad}_t(\varphi \circ \widehat{v}_t))
\end{aligned}$$

for some positive constants K_3 and K_4 . Take any $t_0 \in [0, T]$. Let (ξ_1, t_1) be a point attaining $\max_{(\xi, t) \in M \times [0, t_0]} \Phi_t(\xi)$. We consider the case where ξ_1 belongs to the boundary of M . Define a radial function \tilde{r}_t over the geodesic ball \tilde{B} of radius $2r_B$ centered at x_* in F by

$$\tilde{r}_t(\gamma_X(z)) := \begin{cases} r_t^\circ(z) & (0 \leq z \leq r_B) \\ r_t^\circ(2r_B - z) & (r_B \leq z \leq 2r_B) \end{cases}$$

Set $\widetilde{M} := t_{\widetilde{r}_0}(\widetilde{B})$, which includes M . Then it is easy to show that the volume-preserving mean curvature flow \widetilde{f}_t ($t \in [0, T)$) starting from \widetilde{M} satisfies $\widetilde{f}_t(\widetilde{M}) = \exp^\perp(t_{\widetilde{r}_t}(\widetilde{B}))$. Also, it is clear that (ξ_1, t_1) is a point attaining $\max_{(\xi, t) \in \widetilde{M} \times [0, t_0]} \widetilde{\Phi}_t(\xi)$ and that ξ_1 belongs to the interior of \widetilde{M} , where $\widetilde{\Phi}_t$ is the function defined for \widetilde{f}_t similar to Φ_t . Thus we may assume that ξ_1 belongs to the interior of M without loss of generality. Set $b_1 := \Phi_{t_1}(\xi_1)$. Assume that $b_1 > 1$. Then, it follows from (8.5) that

$$0 \leq \frac{\partial \Phi}{\partial t}(\xi_1, t_1) - (\Delta_{t_1} \Phi_{t_1})(\xi_1) \leq -\frac{\kappa b_1^2}{2} + (K_3 + K_4)b_1,$$

that is, $b_1 \leq \frac{2}{\kappa}(K_3 + K_4)$. Hence we obtain

$$\max_{(\xi, t) \in M \times [0, t_0]} \Phi_t(\xi) = b_1 \leq \max \left\{ 1, \frac{2}{\kappa}(K_3 + K_4) \right\}.$$

Furthermore, by the arbitrariness of t_0 , we obtain

$$\sup_{(\xi, t) \in M \times [0, T)} \Phi_t(\xi) \leq \max \left\{ 1, \frac{2}{\kappa}(K_3 + K_4) \right\}.$$

Thus $\{\Phi_t\}_{t \in [0, T)}$ is uniformly bounded. On the other hand, we have $\varphi \circ \widehat{v}_t \geq 2\widehat{v}_t^2 \geq 2$. From these facts, it follows that $\{\|A_t\|_t^2\}_{t \in [0, T)}$ is uniformly bounded. Hence, by the discussion in [Hu1, 2], it is shown that $\{\|(\nabla^t)^j A_t\|_t^2\}_{t \in [0, T)}$ also is uniformly bounded for any positive integer j , where we use $T < \infty$ and $g_t(\text{grad}_t \|(\nabla^t)^j A_t\|_t^2, N_t) = 0$ along ∂B (This fact holds because $\text{grad}_t r_t = 0$ along ∂B by the assumption). Hence, since $\{f_t\}_{t \in [0, T)}$ is equicontinuous in C^∞ -norm, there exists a sequence $\{t_k\}_{k=1}^\infty$ such that $\lim_{k \rightarrow \infty} t_k = T$ and that $\{f_{t_k}\}_{k=1}^\infty$ converges to some C^∞ -embedding f_T in the C^∞ -topology by Arzelá-Ascoli's theorem. By the standard discussion as in [CM1, P2075-2077], it is shown that $f_T(M)$ is of constant mean curvature. On the other hand, according to (4.17), we have

$$\begin{aligned} \frac{\partial r}{\partial t} &= \frac{\Delta_F r_t}{\cosh^2(br_t) + \|\text{grad } r_t\|^2} + \frac{\sqrt{\cosh^2(br_t) + \|\text{grad } r_t\|^2}}{\cosh(br_t)} (\overline{H}_t - \rho_{r_t}) \\ &= \frac{\sqrt{\cosh^2(br_t) + \|\text{grad } r_t\|^2}}{\cosh(br_t)} (\overline{H}_t - H_t). \end{aligned}$$

Hence, for any τ_1 and τ_2 of $[0, T)$ ($\tau_1 < \tau_2$), we have

$$\begin{aligned} \max_{x \in B} |r_{\tau_1}(x) - r_{\tau_2}(x)| &\leq \max_{x \in M} \int_{\tau_1}^{\tau_2} \left| \frac{\partial r}{\partial t} \right| dt \\ &\leq \max_{x \in M} \int_{\tau_1}^{\tau_2} |\overline{H}_t - \rho_{r_t}| \sqrt{\cosh^2(br_t) + \|\text{grad } r_t\|^2} dt \\ &\leq C\varepsilon(t)(\tau_2 - \tau_1), \end{aligned}$$

where t is an element of (τ_1, τ_2) and $\varepsilon(t) \rightarrow 0$ as $t \rightarrow T$. From this fact, we can show that r_t converges to r_T in the C^∞ -topology by the discussion as in [Hu3], where r_T is the radius function of f_T . Thus f_t converges to f_T in the C^∞ -topology as $t \rightarrow T$. It is clear that $f_T(M)$ also is a tube over B . Hence, according to Proposition 4.2, there exists the volume-preserving mean curvature flow starting from f_T in short time. Hence the volume-preserving mean curvature flow f_t starting from M is continued after T . This contradicts the definition of T . Therefore $T = \infty$ or $\inf_{(\xi, t) \in M \times [0, T]} \widehat{r}(\xi, t) = 0$ holds. Furthermore, in the case of $T = \infty$, we can show that f_t converges to a tube of constant mean curvature over B in C^∞ -topology as $t \rightarrow \infty$ by imitating the discussion in P2075-2080 of [CM1]. q.e.d.

Next we shall prove Theorem C.

Proof of Theorem C. Suppose that $\inf_{(\xi, t) \in M \times [0, T]} \widehat{r}(\xi, t) = 0$. Then there exists a sequence $\{(\xi_k, t_k)\}_{k=1}^\infty$ such that $\widehat{r}(\xi_k, t_k) < \frac{1}{k}$ ($k \in \mathbb{N}$). By using (6.8) and $(r_t)_{\min} \leq \widehat{r}_1 \leq (r_t)_{\max}$, we have

$$\begin{aligned} \text{Vol}(M_0) &\geq \text{Vol}(M_{t_k}) \geq a_{r_B} v_{m^V} v_{m^{H-1}} (\delta_2((r_{t_k})_{\max}) - \delta_2((r_{t_k})_{\min})) \\ &> v_{m^V} v_{m^{H-1}} (\delta_2(\widehat{r}_1) - \delta_2(1/k)) \end{aligned}$$

and hence

$$\begin{aligned} \text{Vol}(M_0) &\geq \lim_{k \rightarrow \infty} v_{m^V} v_{m^{H-1}} (\delta_2(\widehat{r}_1) - \delta_2(1/k)) = v_{m^V} v_{m^{H-1}} \delta_2(\widehat{r}_1) \\ &= v_{m^V} v_{m^{H-1}} (\delta_2 \circ \delta_1^{-1}) \left(\frac{\text{Vol}(D)}{v_{m^V} \text{Vol}(B)} \right), \end{aligned}$$

where we note that $a_{r_B} = 1$ because \overline{M} is of non-compact type. This contradicts the assumption. Hence we obtain $\inf_{(\xi, t) \in M \times [0, T]} \widehat{r}(\xi, t) > 0$. Therefore, by using Theorem B, we can derive that $T = \infty$ and that f_t converges to a tube of constant mean curvature over B in the C^∞ -topology as $t \rightarrow \infty$. q.e.d.

9 Appendix

Polars and meridians of symmetric spaces of compact type are reflective. See [CN] about the classification of polars and meridians of symmetric spaces of compact type. If $F \subset \overline{M}$ is one of meridians in irreducible rank two symmetric spaces of compact type in Table 2 and if \mathcal{D} is the corresponding distribution on F as in Table 2, then \mathcal{D}_x is a common eigenspace of the family $\{R(\cdot, \xi)\xi \mid \xi \in T_x^\perp F\}$ for any $x \in F$. In fact, we can confirm this fact as follows. First we consider the case of (1) – (4) in Tables 2. In these cases, we have $\mathcal{K} = \{1, 2\}$ and $\tau_x^{-1}(\mathcal{D}_x) = \mathfrak{p}_{2\beta} \cap \mathfrak{p}'$ for any $x \in F$

and any $\xi \in T_x^\perp F$, where \mathcal{K} and $\mathfrak{p}_{2\beta}$ are the quantities defined as in Section 2 for $\mathfrak{b} = \text{Span}\{\tau_x^{-1}\xi\}$. That is, we have

$$R((\text{grad } \psi)_x, \xi)\xi = -4\sqrt{\varepsilon}^2 \beta(\tau_x^{-1}\xi)^2 (\text{grad } \psi)_x$$

for any positive function ψ over F with $(\text{grad } \psi)_x \in \mathcal{D}_x$ ($x \in F$). Next we consider the case of (5) in Table 2. In these cases, $\mathcal{K} = \{1\}$ holds, for one of $\mathcal{D} = TSp(1)$'s in (5), $\tau_x^{-1}(\mathcal{D}_x) = \mathfrak{p}_0 \cap \mathfrak{p}'$ ($x \in F$, $\xi \in T_x^\perp F$) holds and, for another $\mathcal{D} = TSp(1)$'s in (5), $\tau_x^{-1}(\mathcal{D}_x) = \mathfrak{p}_\beta \cap \mathfrak{p}'$ ($x \in F$, $\xi \in T_x^\perp F$) holds, where \mathcal{K} , \mathfrak{p}_0 and \mathfrak{p}_β are the quantities defined as in Section 2 for $\mathfrak{b} = \text{Span}\{\tau_x^{-1}\xi\}$. That is, in the first case, we have

$$R((\text{grad } \psi)_x, \xi)\xi = 0$$

for any positive function ψ over F with $(\text{grad } \psi)_x \in \mathcal{D}_x$ ($x \in F$), and in the second case,

$$R((\text{grad } \psi)_x, \xi)\xi = -\sqrt{\varepsilon}^2 \beta(\tau_x^{-1}\xi)^2 (\text{grad } \psi)_x$$

for any positive function ψ over F with $(\text{grad } \psi)_x \in \mathcal{D}_x$ ($x \in F$). Easily we can show the following fact.

Fact. *If the initial radius function r_0 satisfies $(\text{grad } r_0)_x \in \mathcal{D}_x$ ($x \in F$), then r_t satisfies $(\text{grad } r_t)_x \in \mathcal{D}_x$ ($x \in F$) for all $t \in [0, T)$.*

	\overline{M}	F	F_x^\perp	\mathcal{D}
(1)	$SU(3)/SO(3)$	$S^1 \cdot S^2$ (meridian)	$\mathbb{R}P^2$ (polar)	TS^1
(2)	$SU(6)/Sp(3)$	$S^1 \cdot S^5$ (meridian)	$\mathbb{Q}P^2$ (polar)	TS^1
(3)	$SU(3)$	$S^1 \cdot S^3$ (meridian)	$\mathbb{C}P^2$ (polar)	TS^1
(4)	E_6/F_4	$S^1 \cdot S^9$ (meridian)	$\mathbb{O}P^2$ (polar)	TS^1
(5)	$Sp(2)$	$Sp(1) \times Sp(1)$ (meridian)	S^4 (polar)	One of $TSp(1)$'s

(\overline{M} : an irreducible rank two symmetric space of compact type)

Table 2.

See [He] about the notations in these tables for example. Let B be a compact closed domain (in F) such that $\pi^{-1}(B)$ is as in Figure 7 and r be a positive function over B such that the lift $(\text{grad } r)^L$ of $\text{grad } r$ by π is as in Figure 7, where π is the covering map of $S^1 \times S^k$ onto $S^1 \cdot S^k$. Then r satisfies both $(\text{grad } r)_x = 0$ ($x \in \partial B$) and $(\text{grad } r)_x \in \mathcal{D}_x := T_x S^1$ ($x \in B$).

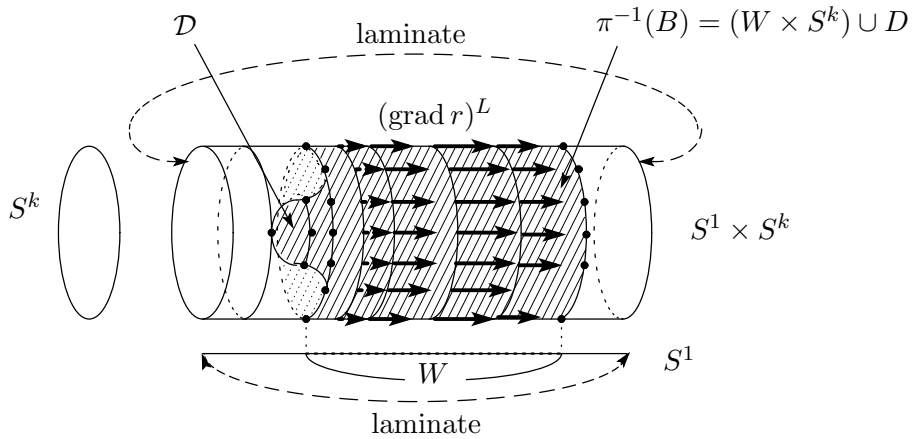


Figure 10.

References

- [A1] M. Athanassenas, Volume-preserving mean curvature flow of rotationally symmetric surfaces, *Comment. Math. Helv.* **72** (1997) 52-66.
- [A2] M. Athanassenas, Behaviour of singularities of the rotationally symmetric, volume-preserving mean curvature flow, *Calc. Var.* **17** (2003) 1-16.
- [BV] J. Berndt and L. Vanhecke, Curvature-adapted submanifolds, *Nihonkai Math. J.* **3** (1992) 177-185.
- [BT] J. Berndt and H. Tamaru, Cohomogeneity one actions on noncompact symmetric spaces with a totally geodesic singular orbit, *Tohoku Math. J. (2)* **56** (2004), 163-177.
- [CM1] E. Cabezas-Rivas and V. Miquel, Volume preserving mean curvature flow in the hyperbolic space, *Indiana Univ. Math. J.* **56** (2007) 2061-2086.
- [CM2] E. Cabezas-Rivas and V. Miquel, Volume-preserving mean curvature flow of revolution hypersurfaces in a rotationally symmetric space, *Math. Z.* **261** (2009) 489-510.
- [CM3] E. Cabezas-Rivas and V. Miquel, Volume-preserving mean curvature flow of revolution hypersurfaces between two equidistants, *Calc. Var.* **43** (2012) 185-210.
- [CN] B. Y. Chen and T. Nagano, Totally geodesic submanifold in symmetric spaces II, *Duke Math. J.* **45** (1978) 405-425.
- [EH] K. Ecker and G. Huisken, Interior estimates for hypersurfaces moving by mean curvature, *Invent. Math.* **105** (1991) 547-569.
- [He] S. Helgason, *Differential geometry, Lie groups and symmetric spaces*, Academic Press, New York, 1978.
- [Hu1] G. Huisken, Flow by mean curvature of convex surfaces into spheres, *J. Differential Geom.* **20** (1984) 237-266.

- [Hu2] G. Huisken, Contracting convex hypersurfaces in Riemannian manifolds by their mean curvature, *Invent. math.* **84** (1986) 463-480.
- [Hu3] G. Huisken, Parabolic Monge-Ampere equations on Riemannian manifolds, *J. Funct. Anal.* **147** (1997) 140-163.
- [KT] T. Kimura and M. S. Tanaka, Stability of certain minimal submanifolds in compact symmetric spaces of rank two, *Differential Geom. Appl.* **27** (2009) 23-33.
- [Ko1] N. Koike, Tubes of non-constant radius in symmetric spaces, *Kyushu J. Math.* **56** (2002) 267-291.
- [Ko2] N. Koike, Collapse of the mean curvature flow for equifocal submanifolds, *Asian J. Math.* **15** (2011) 101-128.
- [Ko3] N. Koike, Collapse of the mean curvature flow for isoparametric submanifolds in a symmetric space of non-compact type, *Kodai Math. J.* **37** (2014) 355-382.
- [L1] D. S. P. Leung, Errata: "On the classification of reflective submanifolds of Riemannian symmetric spaces", (*Indiana Univ. Math. J.* **24** (1974) 327-339), *Indiana Univ. Math. J.* **24** (1975) 1199.
- [L2] D. S. P. Leung, Reflective submanifolds. III. Congruency of isometric reflective submanifolds and corrigenda to the classification of reflective submanifolds, *J. Differential Geom.* **14** (1979) 167-177.
- [M] J.A. McCoy, Mixed volume-preserving curvature flows, *Calc. Var. Partial Differ. Equ.* **24** (2005) 131-154.
- [PT] R.S. Palais and C.L. Terng, Critical point theory and submanifold geometry, *Lecture Notes in Math.* **1353**, Springer, Berlin, 1988.

Department of Mathematics, Faculty of Science
 Tokyo University of Science, 1-3 Kagurazaka
 Shinjuku-ku, Tokyo 162-8601 Japan
 (koike@ma.kagu.tus.ac.jp)