

Modelling, controlling, predicting blackouts

Chengwei Wang,^{1, a)} Celso Grebogi,¹ and Murilo S. Baptista¹

Institute for Complex Systems and Mathematical Biology, University of Aberdeen, King's College, AB24 3UE Aberdeen, United Kingdom.

(Dated: 7 March 2016)

The electric power system is one of the cornerstones of modern society. One of its most serious malfunctions is the blackout, a catastrophic event that may disrupt a substantial portion of the system, playing havoc to human life and causing great economic losses. Thus, understanding the mechanisms leading to blackouts and creating a reliable and resilient power grid has been a major issue, attracting the attention of scientists, engineers and stakeholders. In this paper, we study the blackout problem in power grids by considering a practical phase-oscillator model. This model allows one to simultaneously consider different types of power sources (e.g., traditional AC power plants and renewable power sources connected by DC/AC inverters) and different types of loads (e.g., consumers connected to distribution networks and consumers directly connected to power plants). We propose two new control strategies based on our model, one for traditional power grids, and another one for smart grids. The control strategies show the efficient function of the fast-response energy storage systems in preventing and predicting blackouts in smart grids. This work provides innovative ideas which help us to build up a robuster and more economic smart power system.

PACS numbers: Valid PACS appear here

Keywords: Suggested keywords

One of the most serious malfunctions of today's electric power grid is the blackout. A blackout is a phenomenon of cascading failures in power grids that may disrupt a substantial portion of power grids, causing large economic losses and impacting on human life. Due to the complexity involving in the modelling of the power grid to understand the basic principles leading to blackouts and ways to control it, research on this topic has attracted the attention of not only engineers but also of scientists. In this paper, we study the blackout phenomena resulting from the synchronisation collapse in the generators, by considering a practical phase-oscillator model, which allows one to simultaneously incorporate different types of power sources and loads. We propose two smart control strategies, one for traditional power grids in which the control of a generator is solely based on its local state, and another one for smart grids in which a generator is controlled based on information about the state of other relevant components of the grids. The control strategies aim to show the active influence on the dynamics of smart grids from the fast-response energy storage systems, which provides an innovative approach to mitigate and predict blackouts in smart grids and to build up a robuster and more economic power system.

I. INTRODUCTION

The electrical infrastructure plays a vital significant role in the modern society. The blackout, a phenomenon of cascading failures in power grids, is a comprehensive, complicated and fast-evolving process caused by different reasons¹⁻³. For example, the blackout of the U.S.-Canadian power grid on 14 August, 2003, interrupted approximately 63 GW of load and affected about 50 million people in eight U.S. states and two Canadian provinces^{3,4}. A nationwide blackout happened in Italy on 28 September, 2003, due to cascading failures caused by the tripping of the power transmission line between Italy and Switzerland^{5,6}. On 31 July, 2012, a more severe power blackout caused by a relay problem, affected 22 states of India and left approximate 700 million people in darkness.^{7,8}

A great deal of attention from both the engineers⁹⁻¹⁴ and physicists¹⁵⁻²⁰ has recently been drawn to study blackouts by considering both traditional and smart grids, aiming at finding the most unifying and fundamental reasons for such events. Some works²¹⁻²³ proposed advanced control strategies to prevent these events. Yet, despite these efforts, blackouts are still occurring since power grids are complicated self-organised critical systems²⁴⁻²⁶ experiencing inevitable and diverse levels of disturbances. The adverse influence of a blackout tends to increase, since the modern power grids are expanding with more interconnections among different areas and countries²⁷, making the research for blackout more necessary.

The collapse of frequency synchronisation (FS) in power systems is one of the main causes behind these catastrophic events. Collapsing FS is mainly caused by the imbalance of active power between generators and

^{a)}Electronic mail: r01cw13@abdn.ac.uk

loads^{28,29}. In a normal operating state, the active power generation and consumption must be timely equal regardless of the power loss in the system. Otherwise, some components of the power grid are tripped due to overload resulting in a disconnection between these components and the main network. A loss of components, such as generators, aggravates the imbalance of active power, which may cause a FS collapse.

In this paper, we discuss the blackout scenarios resulting from an FS collapse, by considering a practical model. Comparing to the Kuramoto-like model³⁰ and the swing equation³¹, our model allows one to study power grids by simultaneously considering different types of power sources and different types of consumers. We put forward two smart control strategies to avoid it. One smart control strategy is designed for traditional power grids in which a generator is controlled based on its own state, and another one is for smart grids based on a communication network, which is able to timely collect and exchange information about the state of the network among some important components of power grids. For the latter control strategy, the behaviour of the controlled power system allows us to predict the power energy that the remaining generators need, to prevent a blackout from happening due to a major failure caused by one generator. Our control strategies are based on distributed fast-response energy storage systems, which grants a positive motivation for the development of distributed renewable energy. Comparing to other works²¹⁻²³, our control strategies can not only prevent a blackout from happening, but also greatly decrease the requirement of backup power from generators to restore normal functioning of the power systems. Thus, this work also contributes towards the design and implementation of more resilient and economic power grids.

II. THE MODEL

We consider a power grid without power loss in the transmission lines. A reduced power grid can be obtained by the Kron reduction³²⁻³⁴ that eliminates all of the junction nodes where the input power is equal to the output power [node 4 in Fig. 1 (a)]. Figure 1 (b) shows the reduced power grid obtained from the one shown in Fig. 1 (a), using the Kron reduction method to eliminate node 4. In the reduced network, a load may share a node with a generator [node 1 in Fig. 1 (b)], or may occupy a separate node [node 5 in Fig. 1 (b)]. We use the elements of the index set $\mathcal{I}_{GL} = \{1, \dots, N_{GL}\}$ to represent the labels for the nodes indicating generators [node 2 in Fig. 1 (b)] or the nodes shared by a generator and a load [node 1 in Fig. 1 (b)], the elements of the index set $\mathcal{I}_{DL} = \{N_{GL} + 1, \dots, N\}$ to denote the labels for the nodes indicating DC sources (e.g., solar power) connected by the DC/AC inverters [node 3 in Fig. 1 (b)], or the nodes indicating loads occupying separate nodes [node 5 in Fig. 1 (b)], and the elements of the index set

$\mathcal{I}_N = \{1, \dots, N\}$ to indicate the labels for all nodes in a reduced power grid.

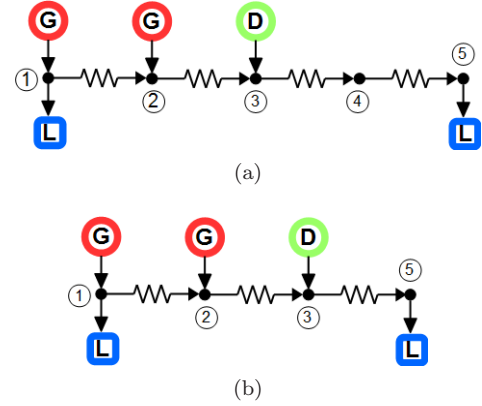


FIG. 1. (a) The original power grid including 2 generators (G), 1 DC source (D), 2 loads (L) and 1 junction node (node 4). (b) The reduced power grid obtained using the Kron reduction to eliminate the junction node.

The model of the power grid is given by Eqs. (1) and (2). The generator is modelled by the swing equation³¹, namely,

$$\begin{cases} \dot{\Theta}_i = \Omega_i, \forall i \in \mathcal{I}_{GL}, \\ M_i \dot{\Omega}_i = P_{G,i} + P_{L,i} - \sum_{j=1}^N b_{ij} \sin \Theta_{ij} - D_i \Omega_i, \forall i \in \mathcal{I}_{GL}, \forall j \in \mathcal{I}_N, \end{cases} \quad (1)$$

where Θ_i is the phase angle of node i , $\Theta_{ij} = \Theta_i - \Theta_j$, Ω_i is the instantaneous angular frequency of generator i , M_i and D_i are the normalised inertia and damping coefficient, respectively, $P_{G,i}$ is the mechanical power provided by turbine i , $P_{L,i}$ is the power consumed by the load sharing node i and $P_{L,i} = 0$ if there is no load sharing the node with generator i , $b_{ij} = |U_i||U_j|\Im Y_{ij}$, where U_i is the bus voltage of node i , $Y_{ij} = Y_{ji}$ is a complex number representing the admittance of the transmission line between node i and j , $Y_{ij} = 0$ if i and j are not directly connected in the reduced power grid, and $\Im Y_{ij}$ is the imaginary part of Y_{ij} .

(iii) A DC source or a load occupying a separate node is modelled by^{14,35},

$$D_i \dot{\Theta}_i = P_{DL,i} - \sum_{j=1}^N b_{ij} \sin \Theta_{ij}, \forall i \in \mathcal{I}_{DL}, \forall j \in \mathcal{I}_N, \quad (2)$$

where for a DC source, $P_{DL,i} > 0$ is the nominal power source, $1/D_i$ is the droop-slope of the droop controller of the DC/AC inverter; for a load occupying a separate node, $P_{DL,i} < 0$ is a constant power load, $D_i > 0$ and $D_i \dot{\Theta}_i$ is a part of frequency-dependent load.

We apply a rotating frame for the models in Eqs. (1) and (2) by letting $\theta_i = \Theta_i - \Omega_n t$ and $\omega_i = \Omega_i - \Omega_n$, where $\Omega_n = 2\pi f_n$ is the natural angular frequency, and $f_n = 50\text{Hz}$ or 60Hz is the natural frequency of the power grid. The natural angular frequency becomes $\omega_n = 0$ in

the rotating frame, then Eqs. (1) and (2) become,

$$\begin{cases} \dot{\theta}_i = T_{DL,i} - \sum_{j=1}^N a_{ij} \sin \theta_{ij}, \quad \forall i \in \mathcal{I}_{DL}, \quad \forall j \in \mathcal{I}_N, \\ \dot{\theta}_i = \omega_i, \quad \forall i \in \mathcal{I}_{GL}, \\ \dot{\omega}_i = T_{G,i} + T_{L,i} - \sum_{j=1}^N a_{ij} \sin \theta_{ij} - F_i \omega_i, \quad \forall i \in \mathcal{I}_{GL}, \quad \forall j \in \mathcal{I}_N, \end{cases} \quad (3)$$

where $\theta_{ij} = \theta_i - \theta_j$; if $i \in \mathcal{I}_{DL}$, $T_{DL,i} = \frac{P_{DL,i}}{D_i} - \Omega_n$, $a_{ij} = \frac{b_{ij}}{D_i}$; if $i \in \mathcal{I}_{GL}$, $T_{G,i} = \frac{P_{G,i}}{M_i}$, $T_{L,i} = \frac{1}{M_i}(P_{L,i} - D_i \Omega_n)$, $a_{ij} = \frac{b_{ij}}{M_i}$, $F_i = \frac{D_i}{M_i}$.

Equation (3) describes a power grid of a coupled phase-oscillator network which contains both traditional AC power plants and renewable power sources connected by DC/AC converters, and includes both users connected to distribution networks and consumers powered directly by power plants. A steady state of the power grid corresponds to a FS state of Eq. (3), defined by $\dot{\theta}_i = \omega_i = 0$. Summing the first and third equations, which are related to power transmission in Eq. (3) for all i , we have

$$\begin{aligned} & \sum_{i \in \mathcal{I}_{GL}} \dot{\omega}_i + \sum_{i \in \mathcal{I}_{DL}} \dot{\theta}_i \\ &= \sum_{i \in \mathcal{I}_{GL}} T_{G,i} + \sum_{i \in \mathcal{I}_{GL}} T_{L,i} + \sum_{i \in \mathcal{I}_{DL}} T_{DL,i} - \sum_{i \in \mathcal{I}_{GL}} F_i \omega_i. \end{aligned} \quad (4)$$

In a steady state, the power system operates at an equilibrium point, and all nodes are in frequency synchronisation with $\theta_i^{eq} = \omega_i^{eq} = \omega_n = 0$, implying the ‘‘imbalance power’’ between generators and loads to be zero, namely,

$$dT = \sum_{i \in \mathcal{I}_{GL}} T_{G,i} + \sum_{i \in \mathcal{I}_{GL}} T_{L,i} + \sum_{i \in \mathcal{I}_{DL}} T_{DL,i} = 0. \quad (5)$$

This means that the power produced by generators is equal to that consumed by loads in a steady state.

Blackout process- Assume that at $t = t_0$ there is a loss of a high-capacity generator with label $m \in \mathcal{I}_{GL}$, i.e., $T_{G,m}$ suddenly becomes 0 from a large positive value, such that $dT < 0$. The stored kinetic energy in the rotors of all remaining generators are then released to balance the power between generators and consumers, resulting in the deceleration of the speed of rotors, i.e., a drop of the angular frequencies ω_i from 0. In order to maintain the stability of the system, the remaining generators need to provide additional power, such that dT returns to 0 and all ω_i also returns to 0. The power system then reaches a new steady state. The regulation process of the output power in a generator can be controlled by its active power regulating system, which is described by,

$$\dot{T}_{G,i} = -K_i \omega_i, \quad \forall i \in \mathcal{I}_{GL}, \quad (6)$$

where $K_i > 0$ is the regulation constant of generator i that can be manually set, and ω_i indicates the frequency deviation from 0 for node i in the dynamic process.

Equation (6) can represent either the turbine governor system or the energy storage system in power grids. The mechanism of this control is that when $dT < 0$ (> 0),

the angular speed of the generator rotors, ω_i decreases (increases) due to the release (accumulation) of kinetic energy in the rotors. This leads to a negative (positive) ω_i , which, according to Eq. (6), forces $T_{G,i}$ to increase (decrease) by automatically turning up (down) the flow rate of steam into the turbine. Thus, more (less) energy is provided by prime movers. The adjusting power from prime movers accelerates (decelerates) the rotors to balance the generation power and consumption power. Finally, ω_i returns to 0, dT becomes 0 as well, and the whole system reaches a new steady state. By providing such a negative feedback to the system, this control enhances the stability of the system around its equilibrium point. Traditionally, the turbine governor system needs long time to adjust the flow rate of steam due to the mechanical inertia of machines. However, some new energy storage systems are developed nowadays^{36,37}, such as large battery arrays, solar farms and the storage systems in wind farms, to provide faster response to the frequency change and quickly provide supplementary power into the system to help it to reach a new steady state. In this paper, we assume all the energy storage systems in power plants are fast-response systems.

When the system loses generator m , the angular frequencies of the remaining generators fluctuate, and these generators provide supplementary power according to Eq. (6) in order to mitigate the frequency fluctuation. Let $T_{G,i}^{max}$ and $T_{G,i}^{min}$ be the upper and lower physical bounds of $T_{G,i}$. During the dynamic process, if $T_{G,i} > T_{G,i}^{max}$ (overload) or $T_{G,i} < T_{G,i}^{min}$, generator i is tripped by its protection devices, resulting in a disconnection of an additional generator. A loss of one more generator results in larger disturbance of the whole system and more power requirement from other generators. This leads more generators to be tripped due to overload. Such a cascading failure may lead to a FS collapse, resulting in a blackout in the power grid, i.e., the loss of all generators. The backup-power capacity of generator i is defined by

$$T_{b,i} = T_{G,i}^{max} - T_{G,i}^{eq}. \quad (7)$$

We define the power ratio, η_i , to indicate the ratio between the power supplemented by generator i and its output power in the steady state before t_0 by

$$\eta_i = \frac{T_{G,i} - T_{G,i}^{eq}}{T_{G,i}^{eq}}. \quad (8)$$

Let

$$\eta_i^{max} = \frac{T_{G,i}^{max} - T_{G,i}^{eq}}{T_{G,i}^{eq}} = \frac{T_{b,i}}{T_{G,i}^{eq}} \geq 0 \quad (9)$$

and

$$\eta_i^{min} = \frac{T_{G,i}^{min} - T_{G,i}^{eq}}{T_{G,i}^{eq}} \leq 0 \quad (10)$$

represent the maximum and minimum values that η_i can assume, respectively. We simply set $\eta_i^{min} = -0.5$ (i.e.,

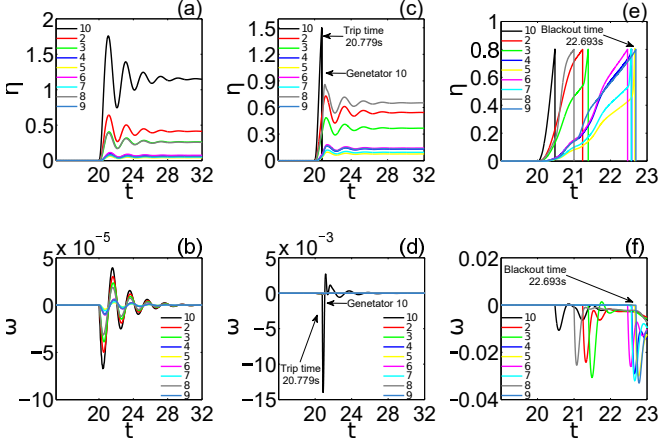


FIG. 2. (Color online) Simulation for the IEEE 39 bus system. (a) and (b) show the changes of the power ratio, η_i , and the angular frequency, ω_i , respectively, with $\eta_i^{max} = 2$; (c) and (d) show the changes of η_i and ω_i , respectively, with $\eta_i^{max} = 1.5$; (e) and (f) show the changes of η_i and ω_i , respectively, with $\eta_i^{max} = 0.8$.

$T_{G,i}^{min} = 0.5T_{G,i}^{eq}$, $\forall i \in \mathcal{I}_{GL}$, because we focus on the overload problem in this paper and η_i^{min} does not affect our numerical experiments. We use the IEEE 39 bus system to show how blackout happens and how η_i^{max} affects the behaviour of the system. The IEEE 39 bus system, also known as the New-England Power System, includes 10 generators, 2 loads sharing nodes with generators, 17 loads occupying separate nodes, and 12 junction nodes. Appendix A provides the topology and the data required in numerical experiments for this system. By Kron reduction³²⁻³⁴, we eliminate the junction nodes and obtain a system with 27 nodes. In our numerical experiments, we neglect the influence of the voltage change, such that all coupling strengths (a_{ij}) remain unchanged. We initiate the dynamic process by switching off generator 1 which has the maximum capacity at $t=20s$, i.e., forcing $T_{G,1} = 0$ at $t = 20s$. We plot the changes of η_i and ω_i for the remaining generators. We set $T_{G,i} = 0$ and $\eta_i = 0$ if generator i is tripped due to overload in the experiments. Figures 2 (a) and 2 (b) show the results with a large $\eta_i^{max} = 2.0$, $\forall i \in \mathcal{I}_{GL}$. Every generator supplements some power from $t = 20s$ and no remaining ones are tripped [Fig. 2 (a)]. The angular frequency of each generator, ω_i , experiences fluctuation from $t = 20s$, but finally returns to 0 [Fig. 2 (b)], meaning that the system reaches a new steady state. Figures 2 (c) and 2 (d) show simulations considering $\eta_i^{max} = 1.5$, $\forall i \in \mathcal{I}_{GL}$. Figure 2 (c) indicates that generator 10 is tripped at $t = 20.779s$ due to overload, but other generators successfully provides enough power to the system. Thus, the system reaches a new steady state, i.e., the angular frequencies of the remaining generators finally become 0, as shown in Fig. 2 (b). Figures 2 (e) and 2 (f) show the result with $\eta_i^{max} = 0.8$, $\forall i \in \mathcal{I}_{GL}$. As shown in Fig. 2 (e), the gen-

erators are tripped one by one due to overload. Finally, at $t = 22.693s$, the system lose all generators and a FS collapse occurs [Fig. 2 (f)].

III. SMART CONTROL

A. Smart control I

As shown in Figs. 2 (c) and 2 (e), when a generator is tripped due to overload, the η_i of the remaining generators are still far away from the maximum limit, meaning that the remaining generators still possesses large amounts of backup power that can be used to restore the stability of the power grid. In order to efficiently use the backup power of every generator to avoid a blackout, we develop a smart control, which will greatly improve the robustness of power grids with less requirement of backup power for generators. For that, we change Eq. (6) into

$$\dot{T}_{G,i} = -\alpha_i K_i \omega_i, \quad \forall i \in \mathcal{I}_{GL}, \quad (11)$$

where $\alpha_i = (T_{G,i}^{max} - T_{G,i}) / (T_{G,i}^{max} - T_{G,i}^{eq})$ if $\omega_i \leq 0$, and $\alpha_i = (T_{G,i} - T_{G,i}^{min}) / (T_{G,i}^{eq} - T_{G,i}^{min})$ if $\omega_i > 0$. At a steady state, $T_{G,i} = T_{G,i}^{eq}$, we have $\alpha = 1$; when generator i reaches its output limits, we have $T_{G,i} = T_{G,i}^{max}$ or $T_{G,i} = T_{G,i}^{min}$ resulting in $\alpha_i = 0$. Thus, $T_{G,i}$ does not change any more when it reaches its limits, and none of the generators are then tripped due to overload.

The utilisation ratio of the backup-power capacity of generator i is defined by

$$\sigma_i \% = \frac{T_{G,i} - T_{G,i}^{eq}}{T_{b,i}} \quad (12)$$

Figure 3 and Tab. I show the numerical results for the IEEE 39 bus system with smart control I. Set $\eta_i^{max} = 0.2$, $\forall i \in \mathcal{I}_{GL}$, which is smaller than $\eta_i^{max} = 0.8$, $\forall i \in \mathcal{I}_{GL}$ that was used in Figs. 2 (e) and 2 (f) where a blackout happens without the implementation of smart control I. A smaller η_i^{max} indicates a smaller backup-power capacity of generator i . At $t = 20s$ we lose generator 1. With our control strategy, none of the remaining generators is tripped, although some of them have almost provided their full backup-power capacity (some $\sigma_i \% \approx 100\%$ in Tab. I), and the angular frequencies of all remaining generators return to 0 after some fluctuations [Fig. 3 (b)]. This means that, by applying the smart control I, we avoid a blackout in the system with less backup-power capacity requirement for generators. Less backup-power capacity requirement greatly improves the economic side of power systems.

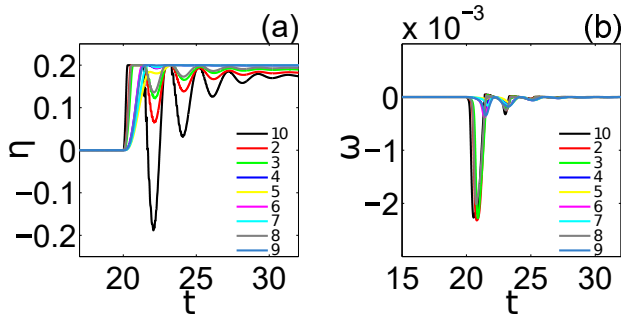


FIG. 3. (Color online) Results for the IEEE 39 bus system with smart control I. (a) and (b) show the changes of the power ratio, η_i , and the angular frequency, ω_i , respectively, with $\eta_i^{max} = 0.2$.

TABLE I. Utilisation ratio of backup power of generators with smart control I

i	10	2	3	4	5	6	7	8	9
$\sigma_i\%$	87.9	91.4	94.9	99.7	99.8	99.6	99.8	96.7	99.7

B. Smart control II

The smart control I is easily implemented because ω_i and α_i can be locally measured or calculated for every generator. However, the drawback of the smart control I is that some of the generators nearly reach their maximum output limits (some $\sigma_i\% \approx 100\%$ in Tab. I), reserving no extra power for engineers to impose any further manual control with these generators and leaving these generators at a dangerous critical state. Next, we propose an improved smart control based on smart grid technology to tackle this problem. With the fast development of smart grids, it becomes possible to timely measure and exchange the information (e.g., ω_i) among different nodes in a power network by a separate network layer – the communication network^{14,38}. To utilise the communication network, we change Eq. (6) into

$$\dot{T}_{G,i} = -\beta_i K_i \bar{\omega}, \quad (13)$$

where $\beta_i = T_{b,i}/T_b^{max}$ with $T_b^{max} := \max\{T_{b,i}|i \in \mathcal{I}_{GL}\}$ indicating the maximum backup-power capacity among all generators, and $\bar{\omega} = \sum_{i=1}^N \gamma_i \omega_i / \sum_{i=1}^N \gamma_i$ with γ_i indicating the importance level of node i . We set $\gamma_i = 1$ if node i is a generator, a large capacity DC source or an important load which is sensitive to frequency change, and $\gamma_i = 0$ if the information of node i is unavailable or node i is not important (e.g., a normal load).

Smart control II improves the control performance by introducing the average angular frequency, $\bar{\omega}$, which embodies a teamwork principle, i.e., one generator lost, all the remaining generators supplement required power together, according to the change of the average angular frequency of some important nodes instead of according to their local angular frequencies. Furthermore, the new variable, β_i , prompts generator i to provide power

based on its backup-power capacity, $T_{b,i}$. In other words, a generator with a larger backup-power capacity contributes more power to the power grid than the one with a smaller capacity. This is also an improvement compared to the smart control I in which the variable α_i just limits the maximum output of generator i to ensure its non-overload.

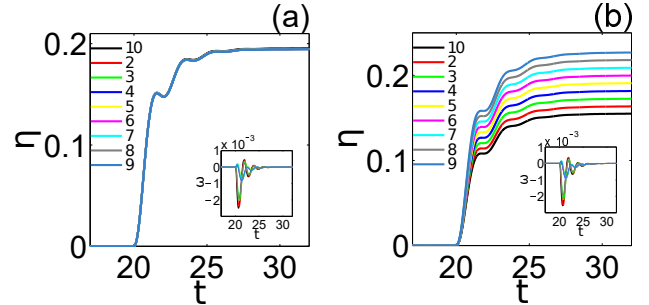


FIG. 4. (Color online) Simulation for the IEEE 39 bus system with the smart control II. (a) shows the change of the power ratio, η_i , by the main plot and the angular frequency, ω_i by the sub-plot with $\eta_i^{max} = 0.2$, $\forall i \in \mathcal{I}_{GL}$; (b) shows the changes of η_i (main plot) and ω_i (sub-plot) with η_i^{max} varying from 0.17 to 0.25.

TABLE II. Utilisation ratio of backup power of generators with smart control II

i	10	2	3	4	5	6	7	8	9
η_i^{max}	0.20								
$\sigma_i\%$	97.7	97.4	97.3	97.3	97.4	97.3	97.4	97.4	97.3
η_i^{max}	0.17	0.18	0.19	0.20	0.21	0.22	0.23	0.24	0.25
$\sigma_i\%$	91.2	90.9	90.8	90.8	90.9	90.8	90.9	90.9	90.8

Figure 4 and Tab. II demonstrates the effectiveness of smart control II. At $t = 20s$, we lose generator 1. Figure 4 (a) shows the results with $\eta_i^{max} = 0.2$, $\forall i \in \mathcal{I}_{GL}$. The nine lines indicating η_i for the nine remaining generators in Fig. 4 (a) merges into one and $\sigma_i\% \approx 97\%$ for $i = 2, \dots, 10$, as shown in Tab. II, meaning that all generators supplement power with the same ratio to their back-up power capacities. Finally, none of the remaining generators reaches their full output limits, and the frequencies finally return to 0 as shown in the sub-plot in Fig. 4 (a). In real power systems, η_i^{max} is not strictly equal to η_j^{max} for $i \neq j$. Figure 4 (b) shows the result for a more realistic case where η_i^{max} varies from 0.17 to 0.25 (shown in Tab. II). In this case, $\sigma_i\% \approx 91\%$ for $i = 2, \dots, 10$ (shown in Tab. II), meaning that all remaining generators still provide power with the same proportion to their own backup-power capacities, even though η_i^{max} is different. Our numerical experiments indicate that smart control II not only avoids a blackout, but also prevents some generators from reaching their critical points, which greatly improves the stability and robustness of the IEEE 39 bus system.

By comparing Fig. 2 (a) and Fig. 4, we conclude that smart control II (FIG. 4) restrains oscillations on the

curves of η . This means that, with the implementation of the smart control II, the remaining generators do not need to provide more power in the dynamic process than that required in the final steady state of the power system. Thus, the back-up power capacity of generators can be decreased by implementing the smart control II, which greatly increases the economic side of power systems.

IV. PREDICTING BLACKOUTS

Assume that the generator m with capacity T_m is lost. Smart control I and II enable the remaining generators to provide their full back-up power capacities. As a consequence, we can predict that a blackout happens if the total back-up power $\sum_{i \neq m} T_{b,i}$ cannot match the lost capacity, i.e., if $\sum_{i \neq m} T_{b,i} < T_m$. Furthermore, smart control II allows the remaining generators to provide power with nearly the same ratio ($\sigma\% = \sigma_i\% \approx \sigma_j\%$, for $i \neq j$) as their back-up power capacities, $T_{b,i}$. This means that $T_m = \sum_{i \neq m} \sigma_i\% T_{b,i} \approx \sigma\% \sum_{i \neq m} T_{b,i}$, i.e., the utilisation ratio of the back-up power capacity for every remaining generator can be approximately obtained by

$$\sigma\% \approx \frac{T_m}{\sum_{i \neq m} T_{b,i}}. \quad (14)$$

Thus, we can predict, without numerical simulation, how much power is finally provided by each remaining generator by changing Eq. (12) to

$$T_{G,i} = \sigma\% T_{b,i} + T_{G,i}^{eq}, \quad (15)$$

where $T_{b,i}$ can be calculated from Eq. (9) with known η_i^{max} and $T_{G,i}^{eq}$.

Define the relative error between the predicted and the numerical obtained values of $T_{G,i}$ by $\delta_i = |(T'_{G,i} - T_{G,i})/T_{G,i}|$, where $T'_{G,i}$ indicates the predicted value of $T_{G,i}$ from Eq. (15). We carry out two numerical simulations similar to the previous ones. We set $\eta_i^{max} = 0.2$, $\forall i \in \mathcal{I}_{GL}$ for one case, and set η_i^{max} varying from 0.17 to 0.25 for another case. At $t = 20s$, we lose generator 1. We record the numerical output power of the remaining generators after the system is restored. Table III demonstrates the values of δ_i in the simulations. All the values of δ_i are small, which means that our prediction is effective.

TABLE III. The relative errors between the predicted and numerical values of $T_{G,i}$ with smart control II

i	10	2	3	4	5	6	7	8	9
η_i^{max}	0.20								
$\delta_i/10^{-4}$	5.4	0.3	1.3	1.3	0.3	1.3	0.3	0.3	1.3
η_i^{max}	0.17	0.18	0.19	0.20	0.21	0.22	0.23	0.24	0.25
$\delta_i/10^{-4}$	4.8	0.4	1.1	1.2	0.5	1.3	0.5	0.5	1.5

V. CONCLUSION

In this paper, we have studied the mechanism that creates blackouts in a realistic model for the power grid due to a loss of synchronisation among the generators. Based on this study, we provided two smart control strategies which requires less backup power for the generators to avoid the onset of a blackout. One of the smart control strategies was used for the traditional power systems, in which the control of a generator is only based on its own state; the other control was designed for the smart grids, in which the control of a generator considers the state of other generators. For the latter control strategy, the behaviour of the controlled power system allowed us to predict the power energy that the remaining generators needed, to prevent a blackout from happening due to a major failure caused by one generator. Our control strategies demonstrate the active influence of the distributed fast-response storage systems in smart grids.

We considered the IEEE 39 bus system as a practical topology for simulations, instead of an abstract topological model of the power grids, such as small world networks or random networks. However, our control methods were applied to the fast-response energy storage systems in power plants, regardless of the topology of the network. Thus we can safely conclude that they are robust for power grids with arbitrary topology. Our work contributes for the understanding of power grids by studying a more practical model, also helps engineers to improve the robustness and economic aspect of power grids.

ACKNOWLEDGMENTS

C.-W.W. is supported by a studentship funded by the College of Physical Sciences, University of Aberdeen. M.S.B. acknowledges EPSRC grant NO. EP/I032606/1.

Appendix A: Appendixes

The topology of the IEEE 39 bus system is shown by Fig. 5. We treat every bus as a node, thus, there are 39 nodes in this system including 10 generators, 17 consumers occupying separated nodes, 2 consumers sharing nodes with generators (bus 31 and 39), 12 junction nodes. This power grid can be reduced to a 27 node network by eliminating the 12 junction nodes through Kron reduction. In our analysis, we use $N^0 = 39$ and $N = 27$ to represent the total number of nodes in the original network and in the reduced network, respectively.

Tables IV and V give the data for buses and transmission lines, respectively. Reference³⁹ provides a power flow study result for the IEEE 39 bus system, which contains all the original data, except for the damping coefficient D and the control parameter K , for our numerical experiments. We set $D_i = 2$, $\forall i \in \mathcal{I}_{GL}$,

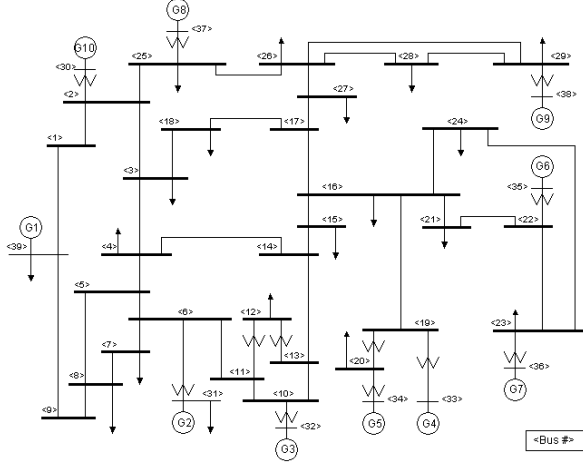


FIG. 5. Diagram of the IEEE 39 bus system. Image obtained from Ref.³⁹.

$D_i = 3$, $\forall i \in \mathcal{I}_{DL}$, Let $K_i = 1$, $\forall i \in \mathcal{I}_{GL}$ for the numerical experiments without smart control strategy (SCS) and with SCS I, and $K_i = 0.01$, $\forall i \in \mathcal{I}_{GL}$ for the numerical experiments with SCS II, since generators become more sensitive to the frequency change with SCS II and the numerical experiments cannot get a convergent result with $K = 1$. The normalised inertia can be calculated by $M_i = \frac{2H_i}{\Omega_n} = \frac{2H_i}{2\pi f_n}$, where $f_n = 50\text{Hz}$ or 60Hz is the natural frequency of power systems. P_G^0 and P_L^0 are obtained from the power flow results in Ref.³⁹ by considering with power loss in transmission lines, resulting in $\sum_{i=1}^{N_G} P_{G,i}^0 + \sum_{i=N_G+1}^N P_{L,i}^0 = 43.71 \neq 0$, where 43.71 indicates the total power loss in transmission lines. In order to construct a reduced network (27 nodes) without power loss in transmission line, we let $P_{G,i} = P_{G,i}^0 - \bar{P}$ and $P_{L,i} = P_{L,i}^0 - \bar{P}$, where $\bar{P} = \frac{1}{N} \left(\sum_{i=1}^{N_G} P_{G,i}^0 + \sum_{i=N_G+1}^N P_{L,i}^0 \right) = \frac{43.71}{27} \approx 1.6189$. This means that the 27 nodes in the reduced network share equally the power loss in transmission lines, such that $\sum_{i=1}^{N_G} P_{G,i} + \sum_{i=N_G+1}^N P_{L,i} = 0$, indicating that the power provided by generators are equal to that consumed by consumers.

We neglect the reactances of all generators and the transformer tapping when we calculate the coupling strengths, although they are provided in Ref.³⁹, because this neglect dose not affect the results of our numerical experiments, but greatly simplifies the experiments. Thus, the coupling strengths can be calculated by the following steps: (i), using the data in Tab. IV to calculate the admittance matrix \mathbf{Y} , where $Y_{pq} = Y_{qp} = -\frac{1}{R_{pq} + iX_{qp}}$ if $p \neq q$, and $Y_{pp} = -\sum_{q=1}^{N^0} Y_{pq} + \frac{1}{2}iB_{pq}$; (ii) using U in Tab. V to calculate b_{pq} by $b_{pq} = |U_p||U_q|\Im Y_{pq}$ where $\Im Y_{pq}$ is the imaginary part of Y_{pq} .

TABLE IV. Transmission line data. Data from Ref.³⁹.

From Bus	To Bus	R	X	B
1	2	0.0035	0.0411	0.6987
1	39	0.0010	0.0250	0.7500
2	3	0.0013	0.0151	0.2572
2	25	0.0070	0.0086	0.1460
3	4	0.0013	0.0213	0.2214
3	18	0.0011	0.0133	0.2138
4	5	0.0008	0.0128	0.1342
4	14	0.0008	0.0129	0.1382
5	6	0.0002	0.0026	0.0434
5	8	0.0008	0.0112	0.1476
6	7	0.0006	0.0092	0.1130
6	11	0.0007	0.0082	0.1389
7	8	0.0004	0.0046	0.0780
8	9	0.0023	0.0363	0.3804
9	39	0.0010	0.0250	1.2000
10	11	0.0004	0.0043	0.0729
10	13	0.0004	0.0043	0.0729
13	14	0.0009	0.0101	0.1723
14	15	0.0018	0.0217	0.3660
15	16	0.0009	0.0094	0.1710
16	17	0.0007	0.0089	0.1342
16	19	0.0016	0.0195	0.3040
16	21	0.0008	0.0135	0.2548
16	24	0.0003	0.0059	0.0680
17	18	0.0007	0.0082	0.1319
17	27	0.0013	0.0173	0.3216
21	22	0.0008	0.0140	0.2565
22	23	0.0006	0.0096	0.1846
23	24	0.0022	0.0350	0.3610
25	26	0.0032	0.0323	0.5130
26	27	0.0014	0.0147	0.2396
26	28	0.0043	0.0474	0.7802
26	29	0.0057	0.0625	1.0290
28	29	0.0014	0.0151	0.2490
12	11	0.0016	0.0435	0.0000
12	13	0.0016	0.0435	0.0000
6	31	0.0000	0.0250	0.0000
10	32	0.0000	0.0200	0.0000
19	33	0.0007	0.0142	0.0000
20	34	0.0009	0.0180	0.0000
22	35	0.0000	0.0143	0.0000
23	36	0.0005	0.0272	0.0000
25	37	0.0006	0.0232	0.0000
2	30	0.0000	0.0181	0.0000
29	38	0.0008	0.0156	0.0000
19	20	0.0007	0.0138	0.0000

TABLE V. Bus data. Data from Ref.³⁹.

Bus No.	U	D	P_L^0	P_L	P_G^0	P_G	Gen. No.	H
1	1.0474	3	0.00	0.00	0.00	0.00	-	-
2	1.0487	3	0.00	0.00	0.00	0.00	-	-
3	1.0302	3	-322.00	-323.62	0.00	0.00	-	-
4	1.0039	3	-500.00	-501.62	0.00	0.00	-	-
5	1.0053	3	0.00	0.00	0.00	0.00	-	-
6	1.0077	3	0.00	0.00	0.00	0.00	-	-
7	0.9970	3	-233.80	-235.42	0.00	0.00	-	-
8	0.9960	3	-522.00	-523.62	0.00	0.00	-	-
9	1.0282	3	0.00	0.00	0.00	0.00	-	-
10	1.0172	3	0.00	0.00	0.00	0.00	-	-
11	1.0127	3	0.00	0.00	0.00	0.00	-	-
12	1.0002	3	-7.50	-9.12	0.00	0.00	-	-
13	1.0143	3	0.00	0.00	0.00	0.00	-	-
14	1.0117	3	0.00	0.00	0.00	0.00	-	-
15	1.0154	3	-320.00	-321.62	0.00	0.00	-	-
16	1.0318	3	-329.00	-330.62	0.00	0.00	-	-
17	1.0336	3	0.00	0.00	0.00	0.00	-	-
18	1.0309	3	-158.00	-159.62	0.00	0.00	-	-
19	1.0499	3	0.00	0.00	0.00	0.00	-	-
20	0.9912	3	-628.00	-629.62	0.00	0.00	-	-
21	1.0318	3	-274.00	-275.62	0.00	0.00	-	-
22	1.0498	3	0.00	0.00	0.00	0.00	-	-
23	1.0448	3	-247.50	-249.12	0.00	0.00	-	-
24	1.0373	3	-308.60	-310.22	0.00	0.00	-	-
25	1.0576	3	-224.00	-225.62	0.00	0.00	-	-
26	1.0521	3	-139.00	-140.62	0.00	0.00	-	-
27	1.0377	3	-281.00	-282.62	0.00	0.00	-	-
28	1.0501	3	-206.00	-207.62	0.00	0.00	-	-
29	1.0499	3	-283.50	-285.12	0.00	0.00	-	-
30	1.0475	2	0.00	0.00	250.00	248.38	10	500
31	0.9820	2	-9.20	-10.82	520.81	519.19	2	30.3
32	0.9831	2	0.00	0.00	650.00	648.38	3	35.8
33	0.9972	2	0.00	0.00	632.00	630.38	4	28.6
34	1.0123	2	0.00	0.00	508.00	506.38	5	26.0
35	1.0493	2	0.00	0.00	650.00	648.38	6	34.8
36	1.0635	2	0.00	0.00	560.00	558.38	7	26.4
37	1.0278	2	0.00	0.00	540.00	538.38	8	24.3
38	1.0265	2	0.00	0.00	830.00	828.38	9	34.5
39	1.0300	2	-1104.00	-1105.62	1000.00	998.38	1	42.0

- ¹P. Pourbeik, P. S. Kundur, and C. W. Taylor, "The anatomy of a power grid blackout," *IEEE Power Energy Mag.* **4**, 22–29 (2006).
- ²D. P. Nedic, I. Dobson, D. S. Kirschen, B. A. Carreras, and V. E. Lynch, "Criticality in a cascading failure blackout model," *Int. J. Electr. Power Energy Syst.* **28**, 627–633 (2006).
- ³G. Andersson *et al.*, "Causes of the 2003 major grid blackouts in North America and Europe, and recommended means to improve system dynamic performance," *IEEE Trans. Power Syst.* **20**, 1922–1928 (2005).
- ⁴I. Dobson, B. A. Carreras, V. E. Lynch, and D. E. Newman, "Complex systems analysis of series of blackouts: Cascading failure, critical points, and self-organization," *Chaos* **17**, 026103 (2007).
- ⁵R. Bacher, U. Näf, M. Renggli, W. Bühlmann, and H. Glavitsch, "Report on the blackout in Italy on 28 September 2003," Tech. Rep. (Swiss Federal Office of Energy, 2003).
- ⁶C. W. Johnson, "Analysing the causes of the Italian and Swiss blackout, 28 th september 2003," in *Proceedings of the twelfth Australian workshop on Safety critical systems and software and safety-related programmable systems* (Australian Computer Society, 2007) p. 21.
- ⁷L. L. Lai, H. T. Zhang, S. Mishra, D. Ramasubramanian, C. S. Lai, and F. Y. Xu, "Lessons learned from July 2012 Indian blackout," in *Proceedings of the 9th IET International Conference on Advances in Power System Control, Operation and Management* (IET, 2012) p. 1.
- ⁸L. L. Lai, H. T. Zhang, C. S. Lai, F. Y. Xu, and S. Mishra, "Investigation on July 2012 Indian blackout," in *Proceedings of the 2013 International Conference on Machine Learning and Cybernetics*, Vol. 1 (IEEE, 2013) p. 92.
- ⁹M. Golshani, G. A. Taylor, I. Pisica, and P. Ashton, "Implementation of Wide Area Monitoring Systems and laboratory-based deployment of PMUs," in *Proceedings of the Power Engineering Conference (UPEC), 2013 48th International Universities'* (IEEE, 2013) pp. 1–6.
- ¹⁰Z. Shaobo and S. Zhanhui, "Challenges and opportunities in emergency management of electric power system blackout," in *Proceedings of the 2010 International Conference on E-Product E-Service and E-Entertainment* (IEEE, 2010) p. 1.
- ¹¹J. Shortle, S. Rebennack, and F. W. Glover, "Transmission-capacity expansion for minimizing blackout probabilities," *IEEE Trans. Power Syst.* **29**, 43–52 (2014).
- ¹²J.-W. Wang and L.-L. Rong, "Cascade-based attack vulnerability on the US power grid," *Saf. Sci.* **47**, 1332–1336 (2009).
- ¹³P. Henneaux, P.-E. Labeau, and J.-C. Maun, "Blackout probabilistic risk assessment and thermal effects: Impacts of changes in generation," *IEEE Trans. Power Syst.* **28**, 4722–4731 (2013).
- ¹⁴J. Giraldo, E. Mojica-Nava, and N. Quijano, "Synchronization of dynamical networks with a communication infrastructure: A smart grid application," in *Proceedings of the 2013 IEEE 52nd Annual Conference on Decision and Control* (IEEE, 2013) p. 4638.
- ¹⁵P. J. Menck, J. Heitzig, J. Kurths, and H. J. Schellnhuber, "How dead ends undermine power grid stability," *Nat. Commun.* **5** (2014).
- ¹⁶I. Simonsen, L. Buzna, K. Peters, S. Bornholdt, and D. Helbing, "Transient dynamics increasing network vulnerability to cascading failures," *Phys. Rev. Lett.* **100**, 218701 (2008).
- ¹⁷R. V. Solé, M. Rosas-Casals, B. Corominas-Murtra, and S. Valverde, "Robustness of the European power grids under intentional attack," *Phys. Rev. E* **77**, 026102 (2008).
- ¹⁸R. Albert, I. Albert, and G. L. Nakarado, "Structural vulnerability of the north american power grid," *Phys. Rev. E* **69**, 025103 (2004).
- ¹⁹P. H. Nardelli, N. Rubido, C. Wang, M. S. Baptista, C. Pomalaza-Raez, P. Cardieri, and M. Latva-aho, "Models for the modern power grid," *Eur. Phys. J. Spec. Top.* **223**, 2423–2437 (2014).
- ²⁰N. Rubido, C. Grebogi, and M. S. Baptista, "Resiliently evolving supply-demand networks," *Phys. Rev. E* **89**, 012801 (2014).
- ²¹A. Wang, Y. Tang, H. Sun, W. Wu, and J. Yi, "An adaptive emergency control method for interconnected power grids against frequency decline and system blackout," in *Proceedings of the 2012 Conference on Power and Energy* (IEEE, 2012) p. 439.
- ²²B. Enacheanu, M. Fontela, C. Andrieu, H. Pham, A. Martin, and Y. B. Gie-Idea, "New control strategies to prevent blackouts: Intentional islanding operation in distribution networks," in *Proceedings of 18th International Conference and Exhibition on Electricity Distribution* (IET, 2005) p. 1.
- ²³H.-P. Ren, J. Song, R. Yang, M. S. Baptista, and C. Grebogi, "Cascade failure analysis of power grid using new load distribution law and node removal rule," *Phys. A* (2015).
- ²⁴P. Bak, C. Tang, and K. Wiesenfeld, "Self-organized criticality: An explanation of the 1/f noise," *Phys. Rev. Lett.* **59**, 381 (1987).
- ²⁵P. Bak, C. Tang, and K. Wiesenfeld, "Self-organized criticality," *Phys. Rev. A* **38**, 364 (1988).
- ²⁶B. A. Carreras, D. E. Newman, I. Dobson, and A. Poole, "Initial evidence for self-organized criticality in electric power system blackouts," in *Proceedings of the 33rd Annual Hawaii International Conference on System Sciences* (IEEE, 2000) p. 6.
- ²⁷M. Amin and J. Stringer, "The electric power grid: Today and tomorrow," *MRS bulletin* **33**, 399–407 (2008).
- ²⁸V. Chuvychin, N. Gurov, A. Skutelis, and V. Strelkovs, "Dynamic's problems of frequency and active power control in electric power system," in *Proceedings of the 2003 IEEE Bologna Power Tech Conference*, Vol. 4 (IEEE, 2003) p. 6.
- ²⁹C. Li, Y. Liu, and H. Zhang, "Fast analysis of active power-frequency dynamics considering network influence," in *Proceedings of the 2012 IEEE Power and Energy Society General Meeting* (IEEE, 2012) p. 1.
- ³⁰G. Filatrella, A. H. Nielsen, and N. F. Pedersen, "Analysis of a power grid using a Kuramoto-like model," *Eur. Phys. J. B* **61**, 485–491 (2008).
- ³¹A. E. Motter, S. A. Myers, M. Anghel, and T. Nishikawa, "Spontaneous synchrony in power-grid networks," *Nat. Phys.* **9**, 191–197 (2013).
- ³²S. Y. Caliskan and P. Tabuada, "Towards Kron reduction of generalized electrical networks," *Automatica* **50**, 2586–2590 (2014).
- ³³S. Y. Caliskan and P. Tabuada, "Kron reduction of power networks with lossy and dynamic transmission lines," in *Proceedings of the 2012 IEEE 51st Annual Conference on Decision and Control* (IEEE, 2012) p. 5554.
- ³⁴F. Dörfler and F. Bullo, "Kron reduction of graphs with applications to electrical networks," *IEEE Trans. Circuits Syst. I Regul. Pap.* **60**, 150–163 (2013).
- ³⁵F. Dörfler, *Dynamics and Control in Power Grids and Complex Oscillator Networks*, Ph.D. thesis, University of California Santa Barbara (2013).
- ³⁶H.-I. Su and A. El Gamal, "Modeling and analysis of the role of fast-response energy storage in the smart grid," in *Proceedings of the 49th Annual Allerton Conference on Communication, Control, and Computing* (IEEE, 2011) p. 719.
- ³⁷P. F. Ribeiro, B. K. Johnson, M. L. Crow, A. Arsoy, and Y. Liu, "Energy storage systems for advanced power applications," in *Proceedings of the IEEE*, Vol. 89 (2001) p. 1744.
- ³⁸F. Kühnlenz and P. H. Nardelli, "Dynamics of Complex Systems Built as Coupled Physical, Communication and Decision Layers," *PLoS ONE* **11**, e0145135 (2016).
- ³⁹I. Hiskens, "IEEE PES Task Force on Benchmark Systems for Stability Controls," (2013), www.sel.eesc.usp.br/ieee.