

Tunnel spectroscopy of Majorana bound states in topological superconductor-quantum dot Josephson junctions

Guang-Yao Huang^{1,2}, Martin Leijnse¹, Karsten Flensberg³, and H. Q. Xu^{1,4*}

¹*Division of Solid State Physics and Nanometer Structure Consortium (nmC@LU),
Lund University, Box 118, S-221 00 Lund, Sweden*

²*State Key Laboratory of Optoelectronic Material and Technology and School of Physics and Engineering,
Sun Yat-Sen University, Guangzhou, 510275, China*

³*Center for Quantum Devices, Niels Bohr Institute, University of Copenhagen,
Universitetsparken 5, 2100 Copenhagen, Denmark and*

⁴*Department of Electronics and Key Laboratory for the Physics and
Chemistry of Nanodevices, Peking University, Beijing 100871, China*

(Dated: September 2, 2021)

We theoretically investigate electronic transport through a junction where a quantum dot (QD) is tunnel coupled on both sides to semiconductor nanowires with strong spin-orbit interaction and proximity-induced superconductivity. The results are presented as stability diagrams, i.e., the differential conductance as a function of the bias voltage applied across the junction and the gate voltage used to control the electrostatic potential on the QD. A small applied magnetic field splits and modifies the resonances due to the Zeeman splitting of the QD level. Above a critical field strength, Majorana bound states (MBS) appear at the interfaces between the two superconducting nanowires and the QD, resulting in a qualitative change of the entire stability diagram, suggesting this setup as a promising platform to identify MBS. Our calculations are based on a nonequilibrium Green's function description and is exact when Coulomb interactions on the QD can be neglected. In addition, we develop a simple pictorial view of the involved transport processes, which is equivalent to a description in terms of multiple Andreev reflections, but provides an alternative way to understand the role of the QD level in enhancing transport for certain gate and bias voltages. We believe that this description will be useful in future studies of interacting QDs coupled to superconducting leads (with or without MBS), where it can be used to develop a perturbation expansion in the tunnel coupling.

PACS numbers:

I. INTRODUCTION

During the last few years there has been considerable interest in the search for Majorana bound states (MBS),¹ partly because they have a unique capability for so-called topological quantum computation.² Some systems believed to host MBS include the $\nu = \frac{5}{2}$ fractional quantum Hall state,³ p-wave superconductors,⁴ topological insulators coupled to s-wave superconductors,⁵ and two-dimensional electron gases with strong spin-orbit interaction (SOI), coupled to s-wave superconductors and exposed to a magnetic field.^{6,7} A slight twist to the two-dimensional electron gas proposal is to realize MBS in one-dimensional semiconductor nanowires with strong SOI and large g-factors, which can be coupled to a superconductor simply by fully or partially covering the wire with a superconducting material.^{8–12} We will focus here on the nanowire system.

This research was originally driven by theoretical efforts, but has very recently also attracted the attention of several experimental groups. In order to detect the MBS which are possibly realized in such experiments, several types of hybrid devices have been fabricated, such as superconductor-normal metal (S-N) structures,^{13,14} superconductor-quantum dot-normal metal (S-QD-N) structures,¹⁵ and superconductor-quantum dot-superconductor (S-QD-S) structures^{15,16}

(where the S electrode(s) are made from a nanowire covered with a superconductor and (possibly) hosts the MBS). MBS can then be detected by driving a current from one side to the other (tunnel spectroscopy), where the presence of a MBS gives rise to a zero bias peak (ZBP) in the conductance. Such ZBPs have indeed been experimentally observed.^{13–18} However, ZBPs can also appear for many other reasons^{19–24} and more evidence of MBS is needed. In devices with two superconducting leads the 4π periodic DC Josephson effect has been theoretically predicted to serve as a signature of MBS²⁵ and although this has not yet been observed experimentally, there has been reports of unusual current-phase relations²⁶ and fractional AC Josephson effect²⁷ which might also indicate the presence of MBS. Calculations have shown that in a topological weak link between two trivial superconductors the existence of MBS changes the subgap features related to multiple Andreev reflection (MAR)²⁸. It has also been shown theoretically that MAR in a weak link between two superconductors in the topological phase (i.e., hosting MBS) could cause novel subgap structures different from the trivial case,²⁹ which can also be regarded as signatures of MBS.

In this paper, we investigate a S-QD-S setup. Nanowires as links between two superconducting leads were experimentally realized almost a decade ago^{30,31} (although these studies did not aim to realize MBS) and it

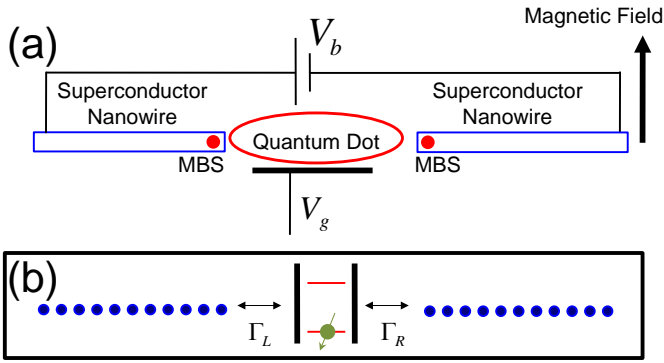


FIG. 1: (a) Sketch of the transport setup with a voltage-biased nanowire S-QD-S configuration. The bias voltage V_b is applied between the superconducting contacts and the electrostatic potential on the QD is controlled by the gate voltage V_g . (b) The model abstracted from the setup in (a). The leads are semi-infinite tight-binding chains with the end sites coupling to the QD with tunnel couplings Γ_L and Γ_R .

was shown that the supercurrent can be controlled by a gate voltage. We investigate instead a voltage-biased junction and, assuming that the QD level can be controlled by a gate voltage, we calculate the full stability diagram, i.e., the nonlinear differential conductance as a function of gate and bias voltage. To this end, we calculate the time-averaged AC Josephson current and differential conductance (dI/dV_b) using the nonequilibrium Green's function (NEGF) method. We show that the stability diagram looks completely different when the superconducting electrodes host MBS compared to the case without MBS. This allows detection of MBS through the qualitative appearance of the entire stability diagram, rather than just from a zero-bias peak which is more likely to arise for other reasons. To complement the calculations, we develop a simple pictorial view of multiple Andreev reflection (MAR) in S-QD-S junctions and analyze and explain how this changes when MBS are present.

The paper is structured in the following way. In Sec. II, we introduce our setup and model. The leads can be driven into a topological phase with MBS appearing at the edges next to the QD, giving rise to novel Majorana-related signals in the conductance. The details of the calculation can be found in the Appendix. The main results are presented in Sec. III, where we show the calculated stability diagrams with and without MBS and analyze the positions of the peaks in both cases. The main focus is on the limit of weak S-QD tunnel coupling, but we also present results in the strong-coupling limit. Section IV summarizes and concludes.

II. MODEL AND METHOD

In our S-QD-S transport setup (see Fig. 1), the total Hamiltonian H_{total} consists of three parts: the leads $H_{\alpha=L,R}$, the QD H_{QD} and the coupling between them

H_c .

The leads and the QD are realized in a one-dimensional nanowire along the x -axis with strong SOI which is exposed to a magnetic field. The leads have been made superconducting by proximity-coupling to s-wave Bardeen-Cooper-Schrieffer (BCS) superconductors (not shown). Introducing the electron creation/annihilation operator $c_{n\sigma}^\dagger/c_{n\sigma}$ for site n and spin σ , after discretizing the continuous Hamiltonian,^{8,9} the tight-binding Hamiltonian is $H_\alpha = \sum_{nm} H_{n,m}^\alpha$, where

$$\begin{aligned} H_{n,m}^\alpha &= \sum_{\sigma} c_{n\sigma}^\dagger \delta_{n,m} [(2t - \mu) + V_z \sigma_z]_{\sigma\sigma} c_{m\sigma} \\ &+ \sum_{\sigma\sigma'} c_{n\sigma}^\dagger [(-t + i\alpha_0 \sigma_y) \delta_{n,m-1} + h.c.]_{\sigma\sigma'} c_{m\sigma'} \\ &+ \Delta \delta_{n,m} (e^{i\phi} c_{n\downarrow}^\dagger c_{m\uparrow}^\dagger + h.c.). \end{aligned} \quad (1)$$

Here m, n are the site indices, $t = \frac{\hbar^2}{2m^*a^2}$ is the parameter related to band width, with \hbar the reduced Planck constant, m^* the effective mass, and a the lattice spacing. α_0 is the Rashba SOI strength, μ is the chemical potential, V_z is the Zeeman energy, and Δ and ϕ are the absolute value and phase of the superconductor pair potential, respectively. In Eq. (1) and below we have suppressed the lead index α on all quantities even though they may be different in the two leads (in the actual calculations presented, only μ_α are different for $\alpha = L$ and $\alpha = R$). Rewritten in Nambu basis

$$C_n = \begin{bmatrix} c_{n\uparrow} & c_{n\downarrow} & c_{n\downarrow}^\dagger & -c_{n\uparrow}^\dagger \end{bmatrix}^T, \quad (2)$$

each lead is described by a tight-binding Bogoliubov-de Gennes (BdG) Hamiltonian

$$H_\alpha = \frac{1}{2} \sum_{n,m} C_n^\dagger (\mathcal{H}_{BdG}^\alpha)_{n,m} C_m + \text{const.}, \quad (3)$$

$$(\mathcal{H}_{BdG}^\alpha)_{n,m} = h_0 \delta_{n,m} + h_1 \delta_{n,m-1} + h_{-1} \delta_{n,m+1}, \quad (4)$$

where

$$h_0 = (2t - \mu)\tau_z + V_z \sigma_z + \Delta(\tau_x \cos \phi - \tau_y \sin \phi), \quad (5)$$

$$h_1 = (-t + i\alpha_0 \sigma_y)\tau_z, \quad (6)$$

$$h_{-1} = (-t - i\alpha_0 \sigma_y)\tau_z. \quad (7)$$

The Pauli matrices $\sigma_{i=x,y,z}$, $\tau_{i=x,y,z}$ operate on spin and particle-hole spaces, respectively. Note that Δ is the induced superconducting pairing potential in the nanowire, which is experimentally found in InSb and InAs wires to be in the range 0.13 – 0.45 meV,^{14–16,27,32–35} while the SOI strength α_0 typically is 0.07 – 0.3 meV.^{14,36}

The applied bias voltage V_b acting on the superconductor lead enters \mathcal{H}_{BdG}^α through a change of chemical potential, which can be transferred to a time-dependent phase of the Nambu basis.^{37,38} The phase of the superconductor pair potential ϕ can also be removed from \mathcal{H}_{BdG}^α to the Nambu basis through a similar gauge transformation. These transformations result in a time-dependent

coupling of the QD and lead in Eq. (13). The relevant lead Green's function is that of the site closest to the QD, which can be found numerically by extending the lead tight-binding chain to infinity.³⁹⁻⁴¹ This semi-infinite lead Green's function captures both bulk states and possible edge states (such as MBS). Note that we here assume the potential resulting from the bias voltage to drop only at the tunnel barriers defining the QD. The possibility that, e.g., surface roughness causes the bias voltage to drop over the whole nanowire and form a Majorana island will be considered elsewhere.

The single-level QD is described by the Hamiltonian

$$H_{QD} = \sum_{\sigma} d_{\sigma}^{\dagger} \left(E_0 - eV_g + V_z \sigma_z - \frac{eV_b}{2} \right) d_{\sigma}, \quad (8)$$

where $d_{\sigma}^{\dagger}/d_{\sigma}$ is the creation/annihilation operator of the QD, E_0 is the energy of the QD level without applied voltages, and V_g is the gate voltage (for simplicity we set the gate coupling to one). The Zeeman energy V_z is assumed to be the same as in the lead. The term involving V_b appears because we assume the bias to be applied only to the right lead, $V_R = -V_b$, $V_L = 0$, and assume the capacitances associated with the right and left lead to be equal and much larger than the gate capacitance (the physics is equivalent to using symmetric bias, $V_R = -V_b/2$, $V_L = +V_b/2$, with a QD level independent of V_b , but for technical reasons it is easier to consider only one lead to be biased). Rewritten in Nambu basis

$$D = \left[d_{\uparrow} \quad d_{\downarrow} \quad d_{\downarrow}^{\dagger} \quad -d_{\uparrow}^{\dagger} \right]^T \quad (9)$$

the Hamiltonian becomes

$$H_{QD} = \frac{1}{2} D^{\dagger} \mathcal{H}_{BdG}^{QD} D + \text{const.}, \quad (10)$$

with

$$\mathcal{H}_{BdG}^{QD} = (E_0 - eV_g - \frac{eV_b}{2}) \tau_z + V_z \sigma_z. \quad (11)$$

The retarded Green's function of the isolated QD is

$$g_{QD}^r(\omega) = (\omega - \mathcal{H}_{BdG}^{QD} + i\delta)^{-1} \quad (12)$$

and the advanced Green's function is $g_{QD}^a(\omega) = g_{QD}^{r\dagger}(\omega)$, where $\delta = 0^+$ is an infinitesimal positive number (in the numerical calculations we will use a small finite δ).

Tunneling between the QD and leads is described by the coupling Hamiltonian, which in terms of the Nambu basis defined above is given by

$$H_c = \frac{1}{2} \sum_{\alpha k} [C_{\alpha k}^{\dagger} T_{\alpha}(\tau) D + D^{\dagger} T_{\alpha}^{\dagger}(\tau) C_{\alpha k}], \quad (13)$$

where $T_{\alpha}(\tau) = t_c \tau_z e^{i\tau_z e V_{\alpha} \tau}$. The coupling t_c is assumed to be real, independent of lead momentum, and to only couple components with the same spin. With the bias

being applied only to the right lead, the couplings are $T_L(\tau) = T_L = t_c \tau_z$, $T_R(\tau) = t_c \tau_z e^{-i\tau_z e V_b \tau}$.

The time-averaged current I_{DC} is (see the Appendix for a derivation)

$$I_{DC} = \frac{e}{h} \text{ReTr} \int_{-eV_b}^{eV_b} d\omega \times [\mathbf{G}_{QD}^r(\omega) \boldsymbol{\Sigma}_L^<(\omega) + \mathbf{G}_{QD}^<(\omega) \boldsymbol{\Sigma}_L^a(\omega)] \tau_z, \quad (14)$$

where \mathbf{G} and $\boldsymbol{\Sigma}$ are matrices in Fourier space, and the trace is also taken in Fourier space.⁴² The full retarded Green's function of the QD is derived from the Dyson equation $\mathbf{G}_{QD}^r = \mathbf{g}_{QD}^r + \mathbf{G}_{QD}^r \boldsymbol{\Sigma}^r \mathbf{g}_{QD}^r$,

$$\mathbf{G}_{QD}^r = [(\mathbf{g}_{QD}^r)^{-1} - \boldsymbol{\Sigma}^r]^{-1}, \quad (15)$$

and the lesser Green's function is obtained from the Keldysh equation

$$\mathbf{G}_{QD}^< = \mathbf{G}_{QD}^r \boldsymbol{\Sigma}^< \mathbf{G}_{QD}^a, \quad (16)$$

where retarded/lesser self energies are $\boldsymbol{\Sigma}^{r/<} = \boldsymbol{\Sigma}_L^{r/<} + \boldsymbol{\Sigma}_R^{r/<}$. The Fourier components of the above Green's functions and self energies are

$$g_{QD,mn}^r(\omega) = \delta_{mn} g_{QD}^r(\omega_m), \quad (17)$$

$$\Sigma_{L,mn}^{r/<}(\omega) = \delta_{mn} \Gamma \tau_z g_L^{r/<}(\omega_m) \tau_z, \quad (18)$$

$$\Sigma_{R,mn}^{r/<}(\omega) = \Gamma \quad (19)$$

$$\times \begin{bmatrix} \delta_{mn} g_{R,11}^{r/<}(\omega_{m+\frac{1}{2}}) & -\delta_{m,n-1} g_{R,12}^{r/<}(\omega_{m+\frac{1}{2}}) \\ -\delta_{m,n+1} g_{R,21}^{r/<}(\omega_{m-\frac{1}{2}}) & \delta_{mn} g_{R,22}^{r/<}(\omega_{m-\frac{1}{2}}) \end{bmatrix},$$

where the coupling strength between the QD and both leads is the same, $\Gamma = t_c^2$, and subscript ij in $g_{R,ij}^{r/<}(\omega)$ means the ij -th 2×2 block of the corresponding 4×4 matrix. The lesser Green's function of the lead is related to the retarded Green's function as

$$g_{L/R}^<(\omega) = -f(\omega) [g_{L/R}^r(\omega) - g_{L/R}^a(\omega)] \quad (20)$$

$$= -2if(\omega) \text{Im} g_{L/R}^r(\omega), \quad (21)$$

where $f(\omega) = 1/(e^{\frac{\omega}{k_B T}} + 1)$ is the Fermi-Dirac distribution function with k_B the Boltzmann constant and T the temperature. The second equality is a result of the lead Green's function being symmetric when $\phi = 0$, which can always be satisfied by a gauge transformation.

The current is calculated from Eq. (14) by numerical integration and the size of the matrices in Fourier space is increased until the current has converged.

III. RESULTS AND ANALYSIS

A. Density of states at the end of the leads

We first examine the density of states (DOS) at the end site of an isolated lead, which is calculated from the

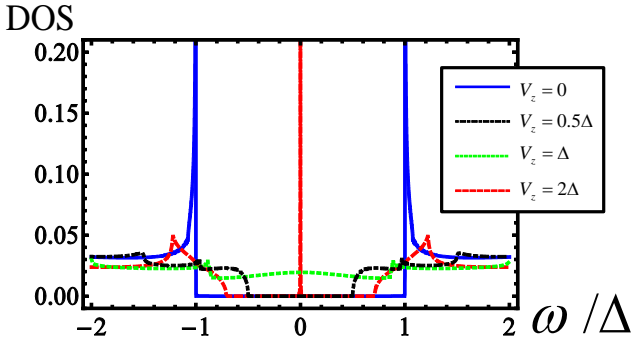


FIG. 2: DOS at the end site of an isolated lead for $t = 10\Delta$, $\mu = 0$, $\alpha_0 = 2\Delta$, and $\delta = 10^{-5}\Delta$ in the retarded Green's function. The different curves are the results for Zeeman energy $V_z = 0$ (blue line), $V_z = 0.5\Delta$ (black dot-dashed line), $V_z = \Delta$ (green dotted line), and $V_z = 2\Delta$ (red dashed line).

Green's function

$$\rho(\omega) = -\frac{1}{\pi} \text{Tr} \{ \text{Im} g_L^r(\omega) \}. \quad (22)$$

For $V_z = 0$ the DOS exhibits the well known BCS singularities and superconducting gap, see blue line in Fig. 2. As the Zeeman energy V_z increases, the energy gap E_g decreases from $E_g(V_z = 0, \mu = 0) \equiv \Delta$ and the singularities at the edge of energy gap become smoother, see black dot-dashed line in Fig. 2 where $V_z = 0.5\Delta$. The gap closes when $V_z = \sqrt{\Delta^2 + \mu^2}$, shown in the green dotted line in Fig. 2. For larger V_z the gap opens again, but the superconductor is now in a topological phase and a MBS emerges as a sharp peak in the DOS, which persists at zero energy regardless of how the Zeeman energy varies, see the red dashed line in Fig. 2.

B. Tunnel spectroscopy in the trivial phase without MBS

In order to have a clear comparison, we first investigate tunnel spectroscopy in a S-QD-S junction without MBS. We focus on the tunneling limit, where the coupling is weak enough that only tunneling processes of low order in Γ are visible in the differential conductance dI/dV_b (which is fulfilled when $\Gamma/\Delta < 1$).

It is well-known that a junction between two superconductors with not too weak coupling can exhibit subgap structures inside the gap at $eV_b = \frac{2E_g}{m}$. This was explained in terms of MAR by Octavio et al. (OBTK model),^{43,44} using an incoherent Boltzmann equation approach. In coherent superconducting junctions multi-particle tunneling has been considered in terms of perturbation theory in the tunneling coupling^{45,46} and later theories⁴⁷⁻⁵⁰ further increased the understanding of MAR, with application to for example quantum point contacts³² and resonant structures, such as S-N-S junctions^{51,52}, molecules⁵³ or single level QDs.⁵⁴⁻⁵⁹ In a

S-QD-S structure, the QD levels shift the peaks of MAR considerably. It has been argued that the subgap structures in S-QD-S devices can be understood in terms of enhancements when the QD level lies on the trajectory of a MAR process. Here, we present an alternative picture which only relies on energy conservation and which more clearly reveals why some MAR resonances are enhanced and some are suppressed in the presence of a QD. Below this is first used to explain our calculations for the S-QD-S junction in the situation without MBS.

In Fig. 3 (a), (c), and (d), we show dI/dV_b as a function of eV_b and $E_{\downarrow}^{(0)}$, the latter being the energy of a spin-down electron on the QD, i.e., $E_{\sigma=\uparrow,\downarrow}^{(0)} = E_0 - eV_g \pm V_z$, without the effect of bias. Figure 3 (b) shows dI/dV_b as a function of $E_{\downarrow}^{(0)}$ for $V_z = 0$ and different values of eV_b , i.e., horizontal cuts in Fig. 3 (a). We first note that we recover previously discussed features of transport in S-QD-S junctions, such as the existence of negative differential conductance⁵⁴ and the absence of all the even order MAR peaks along $E_{\downarrow}^{(0)} = 0$.^{56,57} There are two different types of peaks. The first type, which is marked with black arrows in Fig. 3(a), appears along the lines

$$eV_b = \pm 2\bar{E}, \quad (23)$$

where $\bar{E} = (E_{\uparrow}^{(0)} + E_{\downarrow}^{(0)})/2$ is the average energy of the spin split QD level. When $V_z = 0$, this is the same as the position of the edges of Coulomb diamonds in transport through QDs coupled to normal leads, but in the case of superconducting leads it is related to the possibility for a Cooper pair to tunnel onto or off the QD. Moreover, in contrast to the standard Coulomb diamond edges these peaks are not split in a magnetic field, because of the singlet nature of the Cooper pairs.

The second type of peak appears along the lines where eV_b and $E_{\sigma}^{(0)}$ approximately satisfy

$$eV_b = \frac{2}{n}(E_g \pm E_{\sigma}^{(0)}), \quad (24)$$

where $n = 3, 5, 7, \dots$ (only the lines corresponding to $n = 3, 5$ are visible in Fig. 3 and are marked with dotted lines in Fig. 3(a), (c) and (d)). Notice, however, that these lines reduce to $eV_b = \frac{E_g}{m}$, with $n = 2m \pm 1$ at the resonance conditions $E_{\sigma}^{(0)} = \frac{E_g}{2m}$, in agreement with the picture that the MAR path goes through that QD level.

To understand the appearance of these lines, consider the lowest order (in Γ) tunnel process which is allowed, meaning that energy is conserved in the entire process. If the QD level is within the gap, tunneling into or out of the QD with a single electron (tunnel rate $\propto \Gamma$) can never conserve energy. Figure 3(e) shows the lowest order tunnel process ($\propto \Gamma^3$) which empties an initially singly occupied QD level inside the gap while conserving energy: the electron on the QD tunnels into the right lead (red arrow, $\propto \Gamma$), where it forms a Cooper pair together with an electron which cotunnels from the left to the right lead (blue arrows, $\propto \Gamma^2$). If the QD level lies at δE above

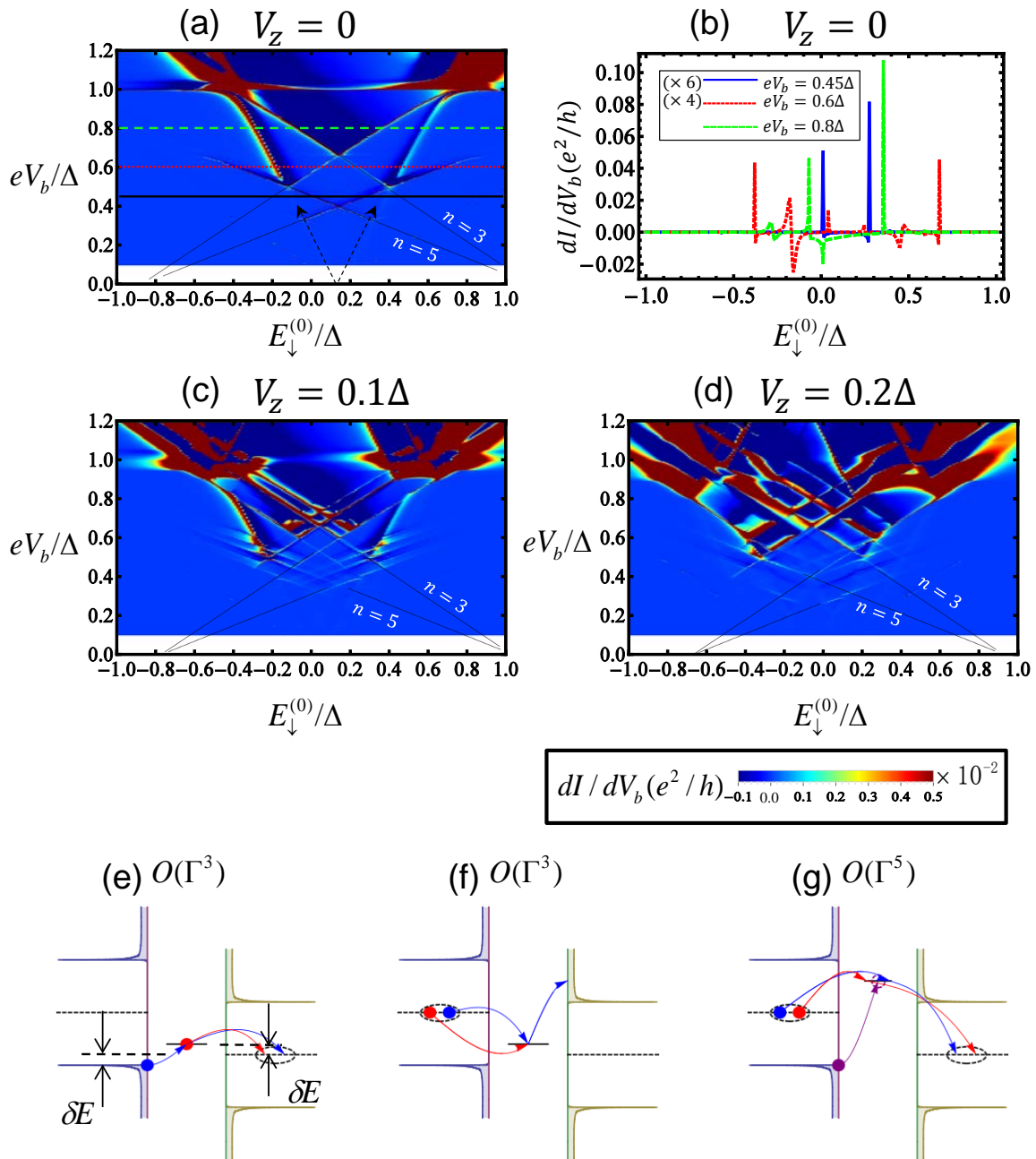


FIG. 3: dI/dV_b as a function of eV_b and $E_{\downarrow}^{(0)}$ for (a) Zeeman energy $V_z = 0$, (c) $V_z = 0.1\Delta$, and (d) $V_z = 0.2\Delta$. The color scale is limited to the range $[-0.001, 0.005]e^2/h$. In (a), (c) and (d), the dotted black lines, added as guides to the eye, are given by $eV_b = \frac{2}{3}(E_g \pm (E_{\downarrow}^{(0)} - \delta_{\Gamma}))$ with a mark $n = 3$ and $eV_b = \frac{2}{3}(E_g \pm (E_{\downarrow}^{(0)} - \delta_{\Gamma}))$ with a mark $n = 5$ next to the peaks, and the black arrows point at the resonances given by Eq. (23). Note that E_g is the energy gap which is also changed when V_z varies. We do not show results for $eV_b < 0.1\Delta$ because the number of harmonics which have to be taken into account when evaluating the Green's functions grow with decreasing V_b . We have chosen $\Gamma = 0.9\Delta$ and $k_B T = 0.01\Delta$. $\delta_{\Gamma} = 0.13\Delta$ was found to give the best fit to the peaks. All other parameters are the same as in Fig. 2. (b) Shows dI/dV_b as a function of $E_{\downarrow}^{(0)}$ for $V_z = 0$, i.e., horizontal cuts in (a), for $eV_b = 0.45\Delta$ (blue line, multiplied by 6), 0.6Δ (red dotted line, multiplied by 4) and 0.8Δ (green dashed line). (e) Schematic diagram of an $O(\Gamma^3)$ tunnel process at $eV_b = 0.8\Delta$ and $E_{\downarrow}^{(0)} = -0.2\Delta$ which empties an initially full QD. (f) Same as (e), but showing a process filling an initially empty QD with one electron. (g) Same as (e), but showing an $O(\Gamma^5)$ tunnel process at $E_{\downarrow}^{(0)} = \Delta$.

the chemical potential of the right lead [see Fig. 3(e)], the electron originally residing on the QD gains the energy δE

when forming a Cooper pair, which must be compensated by taking the second electron from a quasiparticle state in the left lead at δE below the chemical potential of the right lead. Existence of such quasiparticle state requires that $eV_b > \frac{2}{3}(E_g - E_\sigma^{(0)})$. For a stationary current to flow, it must also be possible to fill the QD with an electron again and the corresponding lowest order process ($\propto \Gamma^3$) is shown in Fig. 3(f): a Cooper pair breaks up in the left lead, with one electron tunneling onto the QD (red arrow, $\propto \Gamma$) and the other cotunneling through the QD into the quasiparticle states above the gap in the right lead (blue arrows, $\propto \Gamma^2$). Energy conservation gives that this process is possible when $eV_b > \frac{2}{3}(E_g + E_\sigma^{(0)})$. These conditions give peaks in dI/dV_b according to Eq. (24) with $n = 3$. For $E_\sigma^{(0)} = 0$ the two conditions are the same and identical to the condition for third order MAR in a junction without a QD, $eV_b > \frac{2E_g}{3}$. Thus, the presence of the QD level enhances the current by allowing a third order MAR process (which is $\propto \Gamma^6$) to be split into two consecutive processes $\propto \Gamma^3$, involving real (rather than virtual) occupation of the QD. Similar arguments show that Eq. (24) in general corresponds to the onset of tunnel processes $\propto \Gamma^n$. An example with $n = 5$ is shown in Fig. 3(g), where a Cooper pair cotunnels through the QD (red and blue arrows, $\propto \Gamma^4$) from the left to the right lead while one electron tunnels into the QD from quasiparticle states below the gap in the left lead (purple arrow, $\propto \Gamma$). In general, the QD level allows a MAR process to be split into two separate tunnel processes of lower order in Γ . We have thus developed a perturbative (in Γ) way of understanding the observation that tunneling is enhanced when the QD level lies on the path of a MAR process.^{54,56,57}

Upon closer inspection we see that the peaks do not exactly fit Eq. (24), but are shifted by a more or less voltage-independent energy δ_Γ . The origin of this shift is tunneling renormalization of the QD level position,⁶⁰ i.e., $E_\sigma^{(0)} \rightarrow E_\sigma^{(0)} - \delta_\Gamma$. The renormalization effect is much stronger here than with standard BSC superconducting leads because the chemical potential is close to the bottom of the band, creating a strong energy asymmetry in the number of available lead states. In Fig. 3(a) we have included the shift in the dashed lines indicating the resonance positions.

With a finite Zeeman energy V_z , see Fig. 3(c)–3(d), the breaking of the spin degeneracy of the QD level results in a splitting of these resonances because $E_\uparrow^{(0)} - E_\downarrow^{(0)} = 2V_z$. The increased smoothness of the DOS and decreased E_g as V_z increases (see the DOS for $V_z = 0.5$ in Fig. 2) further modifies the peaks.

C. Tunnel spectroscopy in the topological phase with MBS

With our detailed understanding of the transport features of the S-QD-S junction in the trivial phase, we are

now ready to consider the case with MBS by tuning the magnetic field to drive the leads into the topological superconducting phase, which is the central result in this paper. The huge difference in the stability diagram when comparing the trivial phase and the topological phase with MBS arises from the possibility, introduced by the MBS, to tunnel into the leads with single electrons exactly in the middle of the gap. In addition, the smoothening of the singularities at the edge of the superconducting gap and the spin polarization due to the large Zeeman splitting of the QD levels result in a suppression of the conventional MAR resonances, making the MBS related transport signatures stand out in the stability diagram.

Typical stability diagrams in the topological phase are shown in Fig. 4(a)–4(c), and Fig. 4(d) shows dI/dV_b as a function of $E_\downarrow^{(0)}$ at constant eV_b . There are two new types of peaks not present without MBS. The first type appears at

$$eV_b = 2E_\sigma^{(0)}, \quad eV_b > E_g, \quad (25)$$

and are marked with black arrows in Fig. 4(a). (As in the trivial case, tunneling renormalization shifts the QD level, $E_\sigma^{(0)} \rightarrow E_\sigma^{(0)} - \delta_\Gamma$, which we for simplicity ignore in the resonance conditions.) Note that these lines are different from those in the trivial case described by Eq. (23) since they do not correspond to coherent tunneling of Cooper pairs, but rather to processes where single electrons tunnel directly from the Fermi level in one lead (made possible by the MBS) onto the QD and then out to the quasi-particle states outside the gap in the other lead, or vice versa. When Eq. (25) is fulfilled, these processes involve resonant tunneling into/out of the QD level and the rate is $\propto \Gamma$, similar to standard sequential tunneling, giving rise to the very large conductance. Note also that $E_\sigma^{(0)}$ rather than \bar{E} appears in Eq. (25) and the peaks are completely missing for $eV_b < E_g$.

The second type of new peaks appear at

$$eV_b = \pm \frac{2}{n} E_\sigma^{(0)}, \quad (26)$$

where $n = 3, 5, 7, \dots$ corresponds to tunnel processes $\propto \Gamma^n$ (only the peaks with $n = 3, 5$ are visible in Fig. 4(a)–4(c) and are marked with dashed lines). These peaks can be understood in the same way as without MBS, except that single electrons can now tunnel into or out of the MBS inside the gap.

Let us focus on $E_\downarrow^{(0)} < 0$ and try to understand the $n = 3$ line with negative slope. An initially occupied QD can be emptied as shown in Fig. 4(e): one electron tunnels from the QD into the right lead (red arrow, $\propto \Gamma$) where it forms a Cooper pair together with an electron cotunneling from the Fermi energy in the left lead (blue arrows, $\propto \Gamma^2$). The energy δE gained by the first electron in forming a Cooper pair has to be compensated by the energy lost by the second electron. This is possible when $eV_b = -\frac{2}{3}E_\downarrow^{(0)}$. Note that since no quasiparticle states are involved, this process is allowed only at this

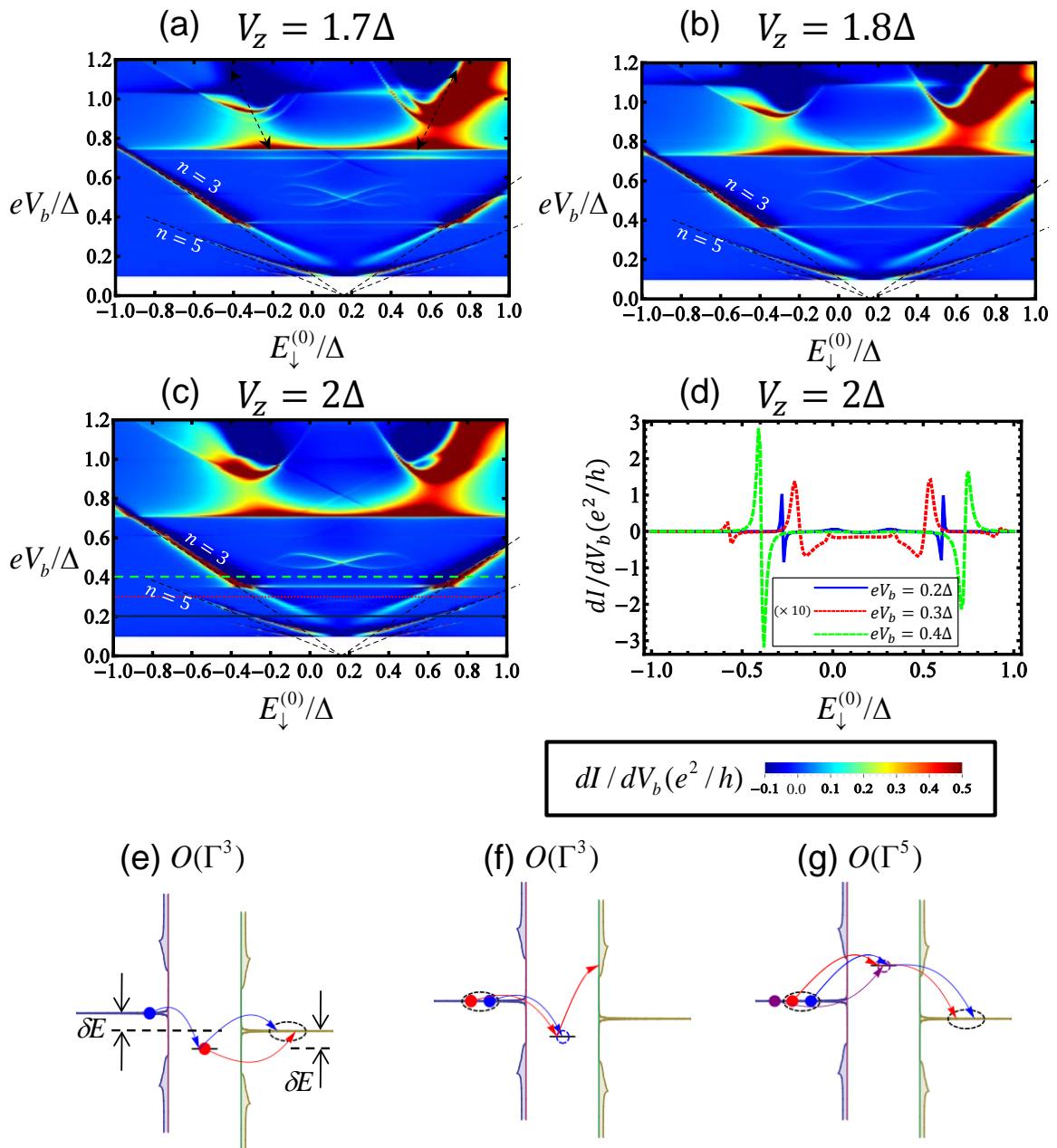


FIG. 4: dI/dV_b as a function of eV_b and $E_{\downarrow}^{(0)}$ with a large Zeeman energy, $V_z = 1.7\Delta$ in (a), $V_z = 1.8\Delta$ in (b), and $V_z = 2.0\Delta$ in (c). The color scale is limited to the range $[-0.1, 0.5]e^2/h$. The dashed black lines are guides to the eye given by $eV_b = \pm \frac{2}{3}(E_{\downarrow}^{(0)} - \delta_{\Gamma})$ marked with $n = 3$ and $eV_b = \pm \frac{2}{5}(E_{\downarrow}^{(0)} - \delta_{\Gamma})$ marked with $n = 5$, where $\delta_{\Gamma} = 0.16\Delta$. (d) Shows dI/dV_b as a function of $E_{\downarrow}^{(0)}$ for $V_z = 2\Delta$, i.e., horizontal cuts in (c), for $eV_b = 0.2\Delta$ (blue line), 0.3Δ (red dotted line, multiplied by 10) and 0.4Δ (green dashed line). We have used $\delta = 10^{-3}$, the other parameters are the same as in Fig. 3. (e)–(g): Schematic diagrams of tunnel processes in the presence of MBS corresponding to (c) at $eV_b = 0.3\Delta$. In (e) and (f) $E_{\downarrow}^{(0)} = -0.45\Delta$, while $E_{\downarrow}^{(0)} = 0.75\Delta$ in (g). We have for illustrative purposes drawn electrons inside the MBS peaks, although in reality the charge will disappear into the superconductor and not be localized at the edge.

V_b , not at higher voltages. It is clear from Fig. 4(a)–4(c) that this peak becomes very weak for small V_b , which is related to processes filling the QD again. A process $\propto \Gamma^3$ filling the QD is shown in Fig. 4(f): A Cooper pair breaks up in the left lead, with one electron tun-

neling into the QD ($\propto \Gamma$) and one cotunneling into the quasiparticle continuum above the gap in the right lead ($\propto \Gamma^2$). Along the resonance $eV_b = -\frac{2}{3}E_{\downarrow}^{(0)}$ this becomes energetically allowed when $eV_b > \frac{E_g}{3}$. For voltages below

this threshold the peak becomes very weak because although the QD can be emptied by processes $\propto \Gamma^3$, higher order processes are needed to fill it again. The peak increases further in height for $eV_b > \frac{E_g}{2}$: here it becomes possible to fill the QD by a sequential tunneling process where an electron tunnels into the QD from the left lead ($\propto \Gamma$). An analogous argument can be made to explain the lines with positive slope for $E_{\downarrow}^{(0)} > 0$, but with the roles of processes filling and emptying the QD being reversed. An example of a higher-order process with $n = 5$ is shown in Fig. 4(g). In addition to one Cooper pair cotunneling from the left to right lead through the QD (red and blue arrows, $\propto \Gamma^4$), one electron tunnels into the QD from the MBS (purple arrow, $\propto \Gamma$) which can only happen in the topological phase.

For $eV_b \rightarrow 0$ and $E_{\downarrow}^{(0)} \rightarrow 0$, the resonances are seen to bend away from the linear voltage dependence described by Eq. (26). The reason is a level-repulsion effect when the QD level comes close to the MBS.

In summary, the signatures of MBS are a series of unique straight lines starting from $E_{\sigma}^{(0)} = 0$ inside the gap according to Eq. (26).

Finally, we want to comment on the effect of Coulomb interactions between electrons on the QD (leading to Coulomb blockade), which were neglected in this study. In the topological regime with MBS, the Zeeman splitting is large and at low V_b and close to $E_{\downarrow}^{(0)} = 0$, only the spin-down state can be occupied even without Coulomb interactions. Therefore, in this case we do not expect Coulomb interactions to drastically change the results in the topological regime. In the opposite regime of small magnetic fields, Coulomb interactions are expected to affect those resonances associated with double occupation of the QD. Therefore, we would expect the signatures of Cooper pair tunneling to change, whereas the MAR resonances described by Eq. (26) [see Figs. 4(e)–(g)] should be less affected. We thus expect that the qualitative difference of the stability diagram with and without MBS remains also in the presence of strong Coulomb interactions. Nonetheless, including Coulomb interactions is certainly an interesting problem for future studies.

D. Transport in the topological phase with large tunnel coupling

As described above, when there is a small tunnel coupling between the QD and leads, we see a series of peaks in dI/dV_b , the positions of which depend linearly on the applied voltage bias and QD level position. When the tunnel coupling becomes larger, higher order MAR processes become increasingly important and the perturbatively oriented picture we relied on earlier is no longer valid. The Green's function method used for the actual calculations is, however, still accurate and we show results with a large tunnel coupling in Fig. 5.

In contrast to the case of weak tunnel coupling in Fig.

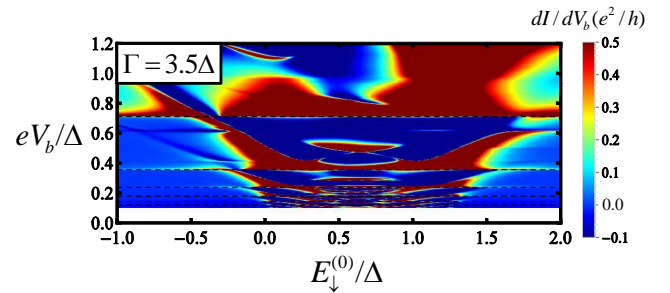


FIG. 5: dI/dV_b as a function of eV_b and $E_{\downarrow}^{(0)}$ for the MBS-QD-MBS configuration with large coupling $\Gamma = 3.5\Delta$, where $V_z = 2\Delta$ and $\mu = 0$. The horizontal dashed lines are guides to the eye indicating MAR peaks at $eV_b = \frac{E_g}{m}$, where $E_g \approx 0.71\Delta$, and $m = 1, 2, \dots, 6$. The color scale is limited to the range $[-0.1, 0.5]e^2/h$. The other parameters are the same as in Fig. 4.

4(a), the main effect of changing the position of the QD level is to change the strength of the peaks in dI/dV_b , which persist at $eV_b = \frac{E_g}{m}$, $m = 1, 2, \dots$ indicated by horizontal dashed lines in Fig. 5. This is the same as the position of MAR resonances for a MBS-weak link-MBS structure.²⁹ The large coupling reduces the role of the QD and the capability of tuning the transport with a gate voltage is limited.

IV. CONCLUSIONS

We have theoretically investigated tunnel spectroscopy of a S-QD-S structure using the NEGF method. The peaks inside the superconducting gap were analyzed in detail, both when the leads are in the trivial and in the topological phase. In addition to Cooper pair tunneling, there are two classes of electron tunneling processes, one relevant for the trivial phase and one occurring only in the topological phase, giving rise to peaks in the differential conductance which can be distinguished based on their voltage dependence. In short, in the trivial phase the peaks are related to the gap edge, giving the straight lines described by Eq. (24), while in topological phase, the MBS support single electron tunneling in the middle of the gap, rendering peaks along the lines described by Eq. (26). Based on our findings, we suggest a S-QD-S junction with a gate-tunable QD level as a promising platform for detection of MBS. In contrast to standard tunnel spectroscopy, the presence of MBS qualitatively changes the whole stability diagram, giving rise to peaks with a voltage dependence which cannot be explained without zero-energy states at the edges of the superconducting leads.

Acknowledgments

G.-Y. Huang is grateful to Dr. Xizhou Qin for discussions about the numerical calculations and to Dr. M. T. Deng for explaining the relevant experiments. This work was supported by the Swedish Research Council (VR), the Swedish Foundation for Strategic Research (SSF), the Chinese Scholarship Council (CSC), the National Basic Research Program of China (Grants No. 2012CB932703 and No. 2012CB932700), the National Natural Science Foundation of China (Grants No. 91221202, No. 91431303, and No. KDB201400005), the Danish National Research Foundation, and the Danish Council for Independent Research, Natural Sciences.

Appendix A: Derivation of the expression for the stationary current

The current flowing into the left contact is

$$\begin{aligned} I_L(\tau) &= -e\langle \dot{N}_L \rangle \\ &= -i\frac{e}{\hbar}\langle [H_{total}, N_L] \rangle \\ &= \frac{e}{\hbar}\text{Re} \sum_k \text{Tr}[G_{QD,Lk}^<(\tau, \tau)T_L(\tau)\tau_z], \end{aligned} \quad (\text{A1})$$

where the electron number operator $N_L = \sum_{k\sigma} c_{Lk\sigma}^\dagger c_{Lk\sigma}$ and the total Hamiltonian is $H_{total} = \sum_{\alpha=L,R} H_\alpha + H_c + H_{QD}$, where the mixed 4×4 Nambu Green's function $G_{QD,Lk}^<(\tau_1, \tau_2)$ is defined as

$$G_{QD,Lk}^<(\tau_1, \tau_2) = i\langle C_{Lk}^\dagger(\tau_1)D(\tau_2) \rangle. \quad (\text{A2})$$

This Green's function can be found from the QD Green's function $G_{QD}^{r/<}(\tau_1, \tau_2)$ and lead Green's function $g_{Lk}^{a/<}(\tau_1, \tau_2)$ (the derivation can be found in Ref.⁶¹, Appendix B)

$$G_{QD,Lk}^<(\tau, \tau) = \int_{-\infty}^{+\infty} d\tau' [G_{QD}^r(\tau, \tau')T_L^\dagger(\tau')g_{Lk}^<(\tau', \tau) + G_{QD}^<(\tau, \tau')T_L^\dagger(\tau')g_{Lk}^a(\tau', \tau)]. \quad (\text{A3})$$

Substituting this into the current gives

$$I_L(\tau) = \frac{e}{\hbar}\text{Re} \int_{-\infty}^{+\infty} d\tau' \text{Tr}[G_{QD}^r(\tau, \tau')\Sigma_L^<(\tau', \tau) + G_{QD}^<(\tau, \tau')\Sigma_L^a(\tau', \tau)]\tau_z, \quad (\text{A4})$$

where the lesser/advanced self energy on the left side is

$$\Sigma_L^(\tau', \tau) = \sum_k T_L^\dagger(\tau')g_{Lk}^(\tau', \tau)T_L(\tau) \quad (\text{A5})$$

$$= T_L^\dagger \sum_k g_{Lk}^(\tau' - \tau)T_L \quad (\text{A6})$$

$$= \Sigma_L^(\tau' - \tau) \quad (\text{A7})$$

$$= \int \frac{d\omega}{2\pi} e^{-i\omega(\tau' - \tau)} \Sigma_L^(\omega), \quad (\text{A8})$$

which only depends on time difference because T_L is time independent. This is a consequence of applying the bias voltage only to the right lead, and the lesser/advanced self energy on the right side is therefore different

$$\Sigma_R^(\tau', \tau) = \sum_k T_R^\dagger(\tau')g_{Rk}^(\tau', \tau)T_R(\tau). \quad (\text{A9})$$

The current $I_L(\tau)$ is periodic with period $T = \frac{2\pi}{\omega_V}$, where

$\omega_V = 2eV_b$. This allows it to be expressed as the Fourier expansion

$$I_L(\tau) = \sum_n e^{in\omega_V\tau} I_n. \quad (\text{A10})$$

We will also need the Fourier expansion for the QD Green's function and self energies

$$G_{QD}(\tau_1, \tau_2) = \sum_n e^{in\omega_V\tau_1} \int \frac{d\epsilon}{2\pi} e^{-i\epsilon(\tau_1 - \tau_2)} G_{QD,n}(\epsilon), \quad (\text{A11})$$

$$\Sigma_L(\tau_1, \tau_2) = \int \frac{d\epsilon}{2\pi} e^{-i\epsilon(\tau_1 - \tau_2)} \Sigma_L(\epsilon), \quad (\text{A12})$$

where we neglected the superscripts because the relation holds for all self energies and QD Green's functions ($r, a, <, >$). The Fourier component I_n is

$$I_n = \frac{1}{T} \int_0^T d\tau e^{-in\omega_V \tau} I_L(\tau) \quad (\text{A13})$$

$$= \frac{1}{T} \int_0^T d\tau e^{-in\omega_V \tau} \frac{e}{\hbar} \text{Re} \int_{-\infty}^{+\infty} d\tau' \text{Tr} [G_{QD}^r(\tau, \tau') \Sigma_L^<(\tau', \tau) + G_{QD}^<(\tau, \tau') \Sigma_L^a(\tau', \tau)] \tau_z \quad (\text{A14})$$

$$= \frac{e}{\hbar} \text{ReTr} \frac{1}{T} \int_0^T d\tau e^{-in\omega_V \tau} \int_{-\infty}^{+\infty} d\tau' \sum_m e^{im\omega_V \tau} \int \frac{d\epsilon_1}{2\pi} e^{-i\epsilon_1(\tau-\tau')} \int \frac{d\epsilon_2}{2\pi} e^{-i\epsilon_2(\tau'-\tau)} G_{QD,m}(\epsilon_1) \Sigma_L(\epsilon_2) \tau_z \quad (\text{A15})$$

$$= \frac{e}{\hbar} \text{ReTr} \int \frac{d\epsilon_1}{2\pi} G_{QD,n}(\epsilon_1) \Sigma_L(\epsilon_1) \tau_z, \quad (\text{A16})$$

where we used the shorthand notation $G_{QD} \Sigma_L = G_{QD}^r \Sigma_L^< + G_{QD}^< \Sigma_L^a$. Following Ref.⁴² we rewrite this expression as a sum of integrals over the fundamental domain $\omega \in F = [-\frac{\omega_V}{2}, \frac{\omega_V}{2}]$,

$$I_n = \frac{e}{\hbar} \text{ReTr} \sum_{j=-\infty}^{\infty} \int_{j\omega_V - \frac{\omega_V}{2}}^{j\omega_V + \frac{\omega_V}{2}} \frac{d\epsilon}{2\pi} G_{QD,n}(\epsilon) \Sigma_L(\epsilon) \tau_z \quad (\text{A17})$$

$$= \frac{e}{\hbar} \text{ReTr} \sum_{j=-\infty}^{\infty} \int_F \frac{d\omega}{2\pi} G_{QD,n}(\omega_j) \Sigma_L(\omega_j) \tau_z \quad (\text{A18})$$

$$= \frac{e}{\hbar} \text{ReTr} \sum_{j=-\infty}^{\infty} \int_F \frac{d\omega}{2\pi} G_{QD,n+j,j}(\omega) \Sigma_{L,j,j}(\omega) \tau_z, \quad (\text{A19})$$

where the shorthand notation $\omega_j = \omega + j\omega_V$ is used, and $G_{QD,n+j,j}^r/<(\omega) \equiv G_{QD,n}^r/<(\omega_j)$, and the same for $\Sigma_{L,j,j}^a/<(\omega)$. The time-averaged current I_{DC} is the zero harmonic

$$I_{DC} = I_0 \quad (\text{A20})$$

$$= \frac{e}{\hbar} \text{ReTr} \sum_{j=-\infty}^{\infty} \int_F \frac{d\omega}{2\pi} G_{QD,j,j}(\omega) \Sigma_{L,j,j}(\omega) \tau_z \quad (\text{A21})$$

$$= \frac{e}{\hbar} \text{ReTr} \int_F \frac{d\omega}{2\pi} [G_{QD}(\omega) \Sigma_L(\omega) \tau_z] \quad (\text{A22})$$

$$= \frac{e}{\hbar} \text{ReTr} \int_F d\omega \times [G_{QD}^r(\omega) \Sigma_L^<(\omega) + G_{QD}^<(\omega) \Sigma_L^a(\omega)] \tau_z, \quad (\text{A23})$$

where \mathbf{G} and Σ are matrices in terms of the Fourier components and the third equality follows from the fact that the trace also operates on Fourier space and Σ is diagonal [Eq. (18)]. The last equality expands the shorthand notation. This is the expression used in the main text.

The current above is straightforwardly constructed starting from the numerically calculated Green's functions (see the equations in Sec. II). A check of the convergence of the current will help us to confirm the reliability of our results. The current including K Fourier

components is

$$I_{DC,K} = \frac{e}{\hbar} \text{ReTr} \sum_{j=-K}^K \int_F \frac{d\omega}{2\pi} G_{QD,j,j}(\omega) \Sigma_{L,j,j}(\omega) \tau_z \quad (\text{A24})$$

$$= \frac{e}{\hbar} \text{ReTr} \int_F d\omega \times [G_{QD}^r(\omega) \Sigma_L^<(\omega) + G_{QD}^<(\omega) \Sigma_L^a(\omega)] \tau_z, \quad (\text{A25})$$

where the size of the matrices $\mathbf{G}_{QD}^{r,a,<}(\omega), \Sigma_{L,R}^{r,a,<}(\omega)$ is $4(2K+1) \times 4(2K+1)$. When the number K of Fourier components increases, the current will converge, $I_{DC,converged} = \lim_{K \rightarrow \infty} I_{DC,K}$.

In practical calculation, an adaptive algorithm is used, where K is increased until a certain error condition is met. In Fig. 6 we plot the relative error $(I_{DC,K} - I_{DC,K-1})/I_{DC,K-1} \times 100(\%)$. For large bias (roughly $eV_b \geq 0.1\Delta$ in our case), the current will be converged after only a few steps.

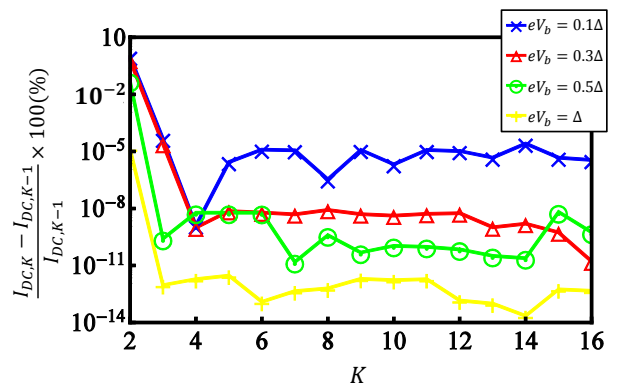


FIG. 6: A convergence check of the current for some example points along the line $E_{\downarrow}^{(0)} = 0.5\Delta$ in Fig. 3(a) with an increasing number K of Fourier components included. The relative error function is $(I_{DC,K} - I_{DC,K-1})/I_{DC,K-1} \times 100(\%)$.

- * Corresponding author. hongqi.xu@ftf.lth.se
- ¹ F. Wilczek, *Nature Phys.* **5**, 614 (2009).
 - ² C. Nayak, S. H. Simon, A. Stern, M. Freedman, and S. Das Sarma, *Rev. Mod. Phys.* **80**, 1083 (2008).
 - ³ N. Read and D. Green, *Phys. Rev. B* **61**, 10267 (2000).
 - ⁴ D. A. Ivanov, *Phys. Rev. Lett.* **86**, 268 (2001).
 - ⁵ L. Fu and C. L. Kane, *Phys. Rev. Lett.* **100**, 096407 (2008).
 - ⁶ J. D. Sau, R. M. Lutchyn, S. Tewari, and S. Das Sarma, *Phys. Rev. Lett.* **104**, 040502 (2010).
 - ⁷ J. D. Sau, S. Tewari, R. Lutchyn, T. Stanescu, and S. Das Sarma, *Phys. Rev. B* **82**, 214509 (2010).
 - ⁸ R. M. Lutchyn, J. D. Sau, and S. Das Sarma, *Phys. Rev. Lett.* **105**, 077001 (2010).
 - ⁹ Y. Oreg, G. Refael, and F. von Oppen, *Phys. Rev. Lett.* **105**, 177002 (2010).
 - ¹⁰ J. Alicea, *Rep. Prog. Phys.* **75**, 076501 (2012).
 - ¹¹ Martin Leijnse and Karsten Flensberg, *Semicond. Sci. Technol.* **27**, 124003 (2012).
 - ¹² C. W. J. Beenakker, *Annu. Rev. Condens. Matter Phys.* **4**, 113 (2013).
 - ¹³ V. Mourik, K. Zuo, S. M. Frolov, S. R. Plissard, E. P. A. M. Bakkers, and L. P. Kouwenhoven, *Science* **336**, 1003 (2012).
 - ¹⁴ Anindya Das, Yuval Ronen, Yonatan Most, Yuval Oreg, Moty Heiblum, and Hadas Shtrikman, *Nature Phys.* **8**, 887 (2012).
 - ¹⁵ M. T. Deng, C. L. Yu, G. Y. Huang, M. Larsson, P. Caroff, and H. Q. Xu, *Nano Lett.* **12**, 6414 (2012).
 - ¹⁶ M. T. Deng, C. L. Yu, G. Y. Huang, M. Larsson, P. Caroff, and H. Q. Xu, *Sci. Rep.* **4**, 7261 (2014).
 - ¹⁷ H. O. H. Churchill, V. Fatemi, K. Grove-Rasmussen, M. T. Deng, P. Caroff, H. Q. Xu, and C. M. Marcus, *Phys. Rev. B* **87**, 241401 (2013).
 - ¹⁸ A. D. K. Finck, D. J. Van Harlingen, P. K. Mohseni, K. Jung, and X. Li, *Phys. Rev. Lett.* **110**, 126406 (2013).
 - ¹⁹ Eduardo J. H. Lee, Xiaocheng Jiang, Ramón Aguado, Georgios Katsaros, Charles M. Lieber, and Silvano De Franceschi, *Phys. Rev. Lett.* **109**, 186802 (2012).
 - ²⁰ Eduardo J. H. Lee, Xiaocheng Jiang, Manuel Houzet, Ramón Aguado, Charles M. Lieber, and Silvano De Franceschi, *Nature Nanotech.* **9**, 79 (2014).
 - ²¹ D. I. Pikulin, J. P. Dahlhaus, M. Wimmer, H. Schomerus, C. W. J. Beenakker, *New J. Phys.* **14**, 125011 (2012).
 - ²² W. Chang, V. E. Manucharyan, T. S. Jespersen, J. Nygård, and C. M. Marcus, *Phys. Rev. Lett.* **110**, 217005 (2013).
 - ²³ G. Kells, D. Meidan, and P. W. Brouwer, *Phys. Rev. B* **85**, 060507(R) (2012).
 - ²⁴ Jie Liu, Andrew C. Potter, K.T. Law, and Patrick A. Lee, *Phys. Rev. Lett.* **109**, 267002 (2012).
 - ²⁵ A. Y. Kitaev, *Phys. Usp.* **44**, 131 (2001).
 - ²⁶ J. R. Williams, A. J. Bestwick, P. Gallagher, Seung Sae Hong, Y. Cui, Andrew S. Bleich, J. G. Analytis, I. R. Fisher, and D. Goldhaber-Gordon, *Phys. Rev. Lett.* **109**, 056803 (2012).
 - ²⁷ Leonid P. Rokhinson, Xinyu Liu, and Jacek K. Furdyna, *Nature Phys.* **8**, 795 (2012).
 - ²⁸ D. M. Badiane, M. Houzet, and J. S. Meyer, *Phys. Rev. Lett.* **107**, 177002 (2011).
 - ²⁹ Pablo San-Jose, Jorge Cayao, Elsa Prada and Ramón Aguado, *New J. Phys.* **15**, 075019 (2013).
 - ³⁰ Y.-J. Doh, J. A. van Dam, A. L. Roest, E. P. A. M. Bakkers, L. P. Kouwenhoven and S. De Franceschi, *Science* **309**, 272 (2005).
 - ³¹ J. A. van Dam, Y. V. Nazarov, E. P. A. M. Bakkers, S. De Franceschi and L. P. Kouwenhoven, *Nature* **442**, 667 (2006).
 - ³² H. A. Nilsson, P. Samuelsson, P. Caroff, and H. Q. Xu, *Nano Lett.* **12**, 228 (2012).
 - ³³ S. Abay, H. Nilsson, F. Wu, H. Q. Xu, C. M. Wilson, and P. Delsing, *Nano Lett.* **12**, 5622 (2012).
 - ³⁴ S. Abay, D. Persson, H. Nilsson, H. Q. Xu, M. Fogelström, V. Shumeiko, and P. Delsing, *Nano Lett.* **13**, 3614 (2013).
 - ³⁵ S. Abay, D. Persson, H. Nilsson, F. Wu, H. Q. Xu, M. Fogelström, V. Shumeiko, and P. Delsing, *Phys. Rev. B* **89**, 214508 (2014).
 - ³⁶ H. A. Nilsson, P. Caroff, C. Thelander, M. Larsson, J. B. Wagner, L.-E. Wernersson, L. Samuelson, and H. Q. Xu, *Nano Lett.* **9**, 3151 (2009).
 - ³⁷ Qing-feng Sun, Bai-geng Wang, Jian Wang, and Tsung-han Lin, *Phys. Rev. B* **61**, 4754 (2000).
 - ³⁸ B. M. Andersen, K. Flensberg, V. Koerting, and J. Paaske, *Phys. Rev. Lett.* **107**, 256802 (2011).
 - ³⁹ H. Q. Xu, *Phys. Rev. B* **66**, 165305 (2002).
 - ⁴⁰ F. Zhai and H. Q. Xu, *Phys. Rev. B* **72**, 195346 (2005).
 - ⁴¹ M. Wimmer, PhD Thesis (Universität Regensburg, 2008), Chapter 3 and Appendix D.
 - ⁴² Fabrizio Dolcini, and Luca Dell'Anna, *Phys. Rev. B* **78**, 024518 (2008).
 - ⁴³ M. Octavio, M. Tinkham, G. E. Blonder, and T. M. Klapwijk, *Phys. Rev. B* **27**, 6739 (1983).
 - ⁴⁴ K. Flensberg, J. B. Hansen, and M. Octavio, *Phys. Rev. B* **38**, 8707 (1988).
 - ⁴⁵ J. R. Schrieffer, J. W. Wilkins *Phys. Rev. Lett.* **10**, 17 (1963).
 - ⁴⁶ L. E. Hasselberg, M. T. Levinsen, and M. R. Samuelsen, *Phys. Rev. B* **9**, 3757 (1974).
 - ⁴⁷ G. B. Arnold, *J. Low Temp. Phys.* **68**, 1 (1987).
 - ⁴⁸ E. N. Bratus, V. S. Shumeiko, and G. Wendin, *Phys. Rev. Lett.* **74**, 2110 (1995).
 - ⁴⁹ J. C. Cuevas, A. Martín-Rodero, and A. Levy Yeyati, *Phys. Rev. B* **54**, 7366 (1996).
 - ⁵⁰ D. Averin and A. Bardas, *Phys. Rev. Lett.* **75**, 1831 (1995).
 - ⁵¹ Å. Ingerman, G. Johansson, V. S. Shumeiko, and G. Wendin, *Phys. Rev. B* **64**, 144504 (2001).
 - ⁵² G. Johansson, E. N. Bratus, V. S. Shumeiko, and G. Wendin, *Phys. Rev. B* **60**, 1382 (1999).
 - ⁵³ A. Zazunov, R. Egger, C. Mora, and T. Martin, *Phys. Rev. B* **73**, 214501 (2006).
 - ⁵⁴ A. Levy Yeyati, J. C. Cuevas, A. López-Dávalos, and A. Martín-Rodero, *Phys. Rev. B* **55**, R6137 (1997).
 - ⁵⁵ Qing-feng Sun, Hong Guo, and Jian Wang, *Phys. Rev. B* **65**, 075315 (2002).
 - ⁵⁶ T. Jonckheere, A. Zazunov, K. V. Bayandin, V. Shumeiko, and T. Martin, *Phys. Rev. B* **80**, 184510 (2009).
 - ⁵⁷ M. R. Buitelaar, W. Belzig, T. Nussbaumer, B. Babić, C. Bruder, and C. Schönenberger, *Phys. Rev. Lett.* **91**, 057005 (2003).
 - ⁵⁸ P. Samuelsson, G. Johansson, Å. Ingerman, V. S. Shumeiko, and G. Wendin, *Phys. Rev. B* **65**, 180514(R) (2002).
 - ⁵⁹ B. Hiltcher, M. Governale, and J. König, *Phys. Rev. B* **86**, 235427 (2012).

⁶⁰ J. V. Holm, H. I. Jørgensen, K. Grove-Rasmussen, J. Paaske, K. Flensberg, and P. E. Lindelof, Phys. Rev. B **77**, 161406(R) (2008).

⁶¹ Antti-Pekka Jauho, Ned S. Wingreen, and Yigal Meir, Phys. Rev. B **50**, 5528 (1994).