

Finite rigid subgraphs of the pants graphs of punctured spheres

Rasimate Maungchang

July 7, 2021

Abstract

We prove a strong form of finite rigidity for pants graphs of spheres. Specifically, for any $n \geq 4$, we construct a finite subgraph X_n of the pants graph $\mathcal{P}(S_{0,n})$ of the n -punctured sphere $S_{0,n}$ with the following property. Any simplicial embedding of X_n into any pants graph $\mathcal{P}(S_{0,m})$ of a punctured sphere is induced by an embedding $S_{0,n} \rightarrow S_{0,m}$.

1 Introduction

Let $S = S_{g,n}$ be an orientable surface of genus g with n punctures. The pants graph $\mathcal{P}(S)$ of S has vertices corresponding to pants decompositions of S and edges corresponding to elementary moves (see Section 2 for details).

Margalit [8] proved that, for most surfaces S , $\text{Aut}(\mathcal{P}(S)) \cong \text{Mod}^\pm(S)$, where $\text{Mod}^\pm(S) = \pi_0(\text{Homeo}(S))$ is the extended mapping class group. This result was extended by Aramayona [1] who proved that, for any two surfaces S and S' such that the complexity of S is at least 2, every injective simplicial map $\phi : \mathcal{P}(S) \rightarrow \mathcal{P}(S')$ is induced by a π_1 -injective embedding $f : S \rightarrow S'$. For related results on curve complexes see [5, 6, 7, 10, 2].

$\mathcal{P}(S)$ is an infinite and locally infinite graph. In this paper, we refine Aramayona's result (for punctured spheres) and prove the following.

Theorem 1.1. *For $n \geq 4$, there exists a finite subgraph $X_n \subset \mathcal{P}(S_{0,n})$ such that for any punctured sphere $S_{0,m}$ and any injective simplicial map*

$$\phi : X_n \rightarrow \mathcal{P}(S_{0,m}),$$

there exists a π_1 -injective embedding $f : S_{0,n} \rightarrow S_{0,m}$ that induces ϕ .

For $n = 4$, the isotopy class of f is unique up to precomposing by an element $\sigma \in \text{Mod}(S_{0,4})$ inducing the identity on $\mathcal{P}(S_{0,4})$.

For $n \geq 5$, the isotopy class of f is unique.

We say that f **induces** ϕ if there is a deficiency- $(n - 3)$ multicurve Q on $S_{0,m}$ with the following property (see Section 2 for definitions). The image $f(S_{0,n})$ is the unique non-pants component $(S_{0,m} - Q)_0 \subset S_{0,m} - Q$ and the simplicial map

$$f^Q : \mathcal{P}(S_{0,n}) \rightarrow \mathcal{P}(S_{0,m}),$$

defined by $f^Q(u) = f(u) \cup Q$ satisfies $f^Q(u) = \phi(u)$ for any vertex $u \in X_n$.

This result is analogous to Aramayona-Leininger [2] for the case of the curve complex when $n = m$ (that theorem applies to arbitrary surfaces).

One of the main difficulties in proving Theorem 1.1 is to construct the finite subgraphs X_n . To do this we can look for a candidate subgraph which, under additional hypotheses on the simplicial map, allows us to construct the embedding of the surface. For example, we have the condition on the simplicial map of Z_5 in Lemma 2.3. We then need to enlarge the candidate subgraph so that those extra conditions are encoded in the enlarged subgraph. But then another problem might arise which is that the induced map of the embedding that works on the original candidate subgraph might not control the added parts in the enlarged subgraph. For example, a simplicial embedding of the thick pentagon \widehat{Z}_5 ensures that the simplicial map restricted to Z_5 satisfies Lemma 2.3 and hence there is a candidate embedding of $S_{0,5}$. But the induced map may not agree with the simplicial map on $\widehat{Z}_5 - Z_5$. Then we have to enlarge the subgraph further which might cause more problems.

It seems likely that Theorem 1.1 should be true for essentially any surface S . However it is unclear how to choose a subgraph $X \subset P(S)$.

Outline of the paper. Section 2 contains the relevant background and definitions. This section also contains the proof of the theorem in the case of $n = 4$. In Section 3, we describe the finite subgraph X_n and prove some important properties of the subgraph. We prove the theorem for the case of $n = 5$ in Section 4 and for the general case in Section 5.

Acknowledgments. I would like to thank my advisor Christopher J. Leininger for guidance and useful conversations. I also would like to thank Javier Aramayona, Dan Margalit, and the referees for their helpful comments.

2 Background and definitions

Here we describe some of the background material. See [1] and [8] for more details. Let $S = S_{g,n}$ be an orientable surface of genus g with n punctures. A simple closed curve on S is **essential** if it does not bound a disk or a once-punctured disk on S . In this paper, a **curve** is a homotopy class of essential simple closed curves on S .

Let γ and γ' be curves on S . The **geometric intersection number** of γ and γ' is defined as the minimum number of transverse intersection points among the simple representatives of γ and γ' .

The intersection of any two curves mentioned in this paper refers to their geometric intersection number. Whenever we represent homotopy classes γ and γ' by simple closed curves, we assume these intersect in $i(\gamma, \gamma')$ points and we will not distinguish a homotopy class from its representatives. Two curves γ and γ' are **disjoint** if $i(\gamma, \gamma') = 0$. Let A be a set of curves on S . We say that $\bigcup_{\alpha \in A} \alpha$ **fills** S if the complement is a disjoint union of disks or once-punctured disks.

We call a surface which is homeomorphic to $S_{0,3}$, a **pair of pants**. Let A be a set of pairwise disjoint curves on S . The **nontrivial component(s)** of the complement of the curves in A , denoted $(S - A)_0$, is the union of the non-pants components of the complement.

A **multicurve** Q is a set of pairwise disjoint curves on S . Let Q_1 and Q_2 be multicurves. The intersection number of Q_1 and Q_2 is defined to be $i(Q_1, Q_2) = \sum i(\alpha_1, \alpha_2)$, where α_1 and α_2 are curves in Q_1 and Q_2 , respectively. Observe that $Q_1 \cup Q_2$ is a multicurve if and only if $i(Q_1, Q_2) = 0$.

A **pants decomposition** P is a multicurve whose complement in S is a disjoint union of pairs of pants. Equivalently, a pants decomposition is a maximal set of pairwise disjoint curves on S , that is, a maximal multicurve. A pants decomposition always contains $3g + n - 3$ curves and we call this number the **complexity** $\kappa(S)$ of S . The **deficiency** of a multicurve Q is the number $\kappa(S) - |Q|$. If Q is a deficiency-1 multicurve then $(S - Q)_0$ is homeomorphic to either $S_{0,4}$ or $S_{1,1}$.

Let P and P' be pants decompositions of S . P and P' differ by an **elementary move** if there are curves α, α' on S and a deficiency-1 multicurve Q such that $P = \{\alpha\} \cup Q$, $P' = \{\alpha'\} \cup Q$ and $i(\alpha, \alpha') = 2$ if $(S - Q)_0 \cong S_{0,4}$ or $i(\alpha, \alpha') = 1$ if $(S - Q)_0 \cong S_{1,1}$; see Figure 1 for examples of elementary moves.

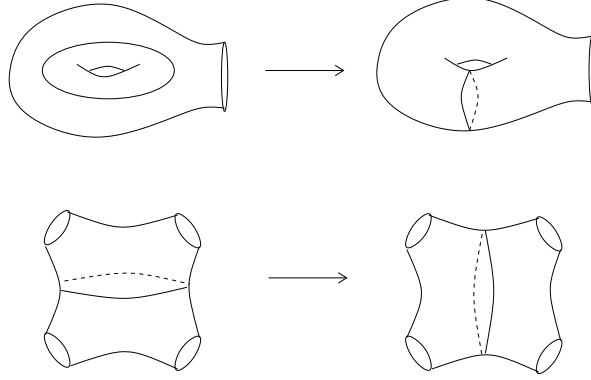


Figure 1: Two types of elementary moves.

The **pants graph** $\mathcal{P}(S_{g,n})$ of $S_{g,n}$ is a graph with the set of vertices

$$V_{\mathcal{P}(S_{g,n})} = \{P \mid P \text{ is a pants decomposition of } S_{g,n}\},$$

and the set of edges

$$E_{\mathcal{P}(S_{g,n})} = \{\{P, P'\} \subset V_{\mathcal{P}(S_{g,n})} \mid P, P' \text{ differ by an elementary move}\}.$$

The pants graph $\mathcal{P}(S_{g,n})$ is connected, see[4], which we view as a geodesic metric space by requiring each edge to have length 1.

Given a multicurve Q , we let $\mathcal{P}_Q(S_{g,n})$ be the subgraph of $\mathcal{P}(S_{g,n})$ **induced** by the vertex set

$$V_{\mathcal{P}_Q(S_{g,n})} = \{P \in V_{\mathcal{P}(S_{g,n})} \mid Q \subset P\},$$

that is, the largest subgraph with $V_{\mathcal{P}_Q(S_{g,n})}$ as its vertex set. When the deficiency of Q is positive, it is easy to see that $\mathcal{P}_Q(S_{g,n}) \cong \mathcal{P}((S_{g,n} - Q)_0)$. Let Q_1 and Q_2 be multicurves. We observe that $\mathcal{P}_{Q_1}(S_{g,n}) \cap \mathcal{P}_{Q_2}(S_{g,n}) \neq \emptyset$ if and only if $Q_1 \cup Q_2$ is a multicurve if and only if $i(Q_1, Q_2) = 0$, and in this case, $\mathcal{P}_{Q_1}(S_{g,n}) \cap \mathcal{P}_{Q_2}(S_{g,n}) = \mathcal{P}_{Q_1 \cup Q_2}(S_{g,n})$.

A **Farey graph** \mathbb{F} is a graph isomorphic to the standard Farey graph which has vertices

$$V = \left\{ \frac{p}{q} \mid p, q \in \mathbb{Z}, \frac{p}{q} \text{ is in lowest term} \right\} \cup \left\{ \frac{1}{0} = \infty \right\},$$

and edges

$$E_{\mathbb{F}} = \left\{ \left\{ \frac{p}{q}, \frac{s}{t} \right\} \subset V \mid |pt - qs| = 1 \right\}.$$

See Figure 2 for a picture of a part of the Farey graph.

The following Lemma combines the results from ([9], Section 3), and ([8], Lemma 2).

Lemma 2.1. *Let F be a subgraph of $\mathcal{P}(S_{g,n})$. Then F is isomorphic to a Farey graph if and only if there is a deficiency-1 multicurve Q such that $F = \mathcal{P}_Q(S_{g,n})$.*

Note that as a consequence of Lemma 2.1, each edge e of $\mathcal{P}(S_{g,n})$ is contained in a unique Farey graph $\mathcal{P}_Q(S_{g,n})$ where $Q = P \cap P'$ is the deficiency-1 multicurve given by the intersection of its endpoints P and P' .

We also see from the Lemma that $\mathcal{P}(S_{0,4})$ and $\mathcal{P}(S_{1,1})$ are isomorphic to a Farey graph. Let α and β be two curves on $S_{0,4}$ such that $i(\alpha, \beta) = 2$. Then, as pants decompositions, α and β differ by an elementary move, i.e., they are two adjacent vertices in $\mathcal{P}(S_{0,4}) \cong \mathbb{F}$. Up to a homeomorphism on $S_{0,4}$, α and β are the curves on $S_{0,4}$ shown in Figure 2. Let $T_c^{\frac{1}{2}}$ be the half-twist around a curve c on $S_{0,4}$. Then we can see that

$$T_{\beta}^{\frac{1}{2}}(\alpha) = T_{\alpha}^{-\frac{1}{2}}(\beta),$$

and, together with α, β , these three vertices form a triangle in $\mathcal{P}(S_{0,4})$; see Figure 2.

Let X_4 be the triangle spanned by α, β and $T_{\alpha}^{\frac{1}{2}}(\beta)$. Let σ and τ be two hyperelliptic involutions of $S_{0,4}$, see Figure 3. Let $K = \langle \sigma, \tau \rangle \cong \mathbb{Z}/2\mathbb{Z} \times \mathbb{Z}/2\mathbb{Z} < \text{Mod}(S_{0,4})$. Note that K is the subgroup of $\text{Mod}(S_{0,4})$ containing all elements that induce identity on $\mathcal{P}(S_{0,m})$.

The case of $n = 4$ in Theorem 1.1 can be proved using Lemma 2.1.

Proposition 2.2. *Given any injective simplicial map $\phi : X_4 \rightarrow \mathcal{P}(S_{0,m})$. There exists a π_1 -injective embedding $f : S_{0,4} \rightarrow S_{0,m}$ that induces ϕ and f is unique up to precomposing with an element in K .*

By a **path** in $\mathcal{P}(S_{g,n})$, we always mean an edge path determined by a sequence of distinct adjacent vertices v_1, \dots, v_m of $\mathcal{P}(S_{g,n})$. A **cycle** in $\mathcal{P}(S_{g,n})$ is a subgraph homeomorphic to a circle. A cycle is called a **triangle**, **rectangle**, **pentagon** if it has 3, 4 or 5 vertices, respectively.

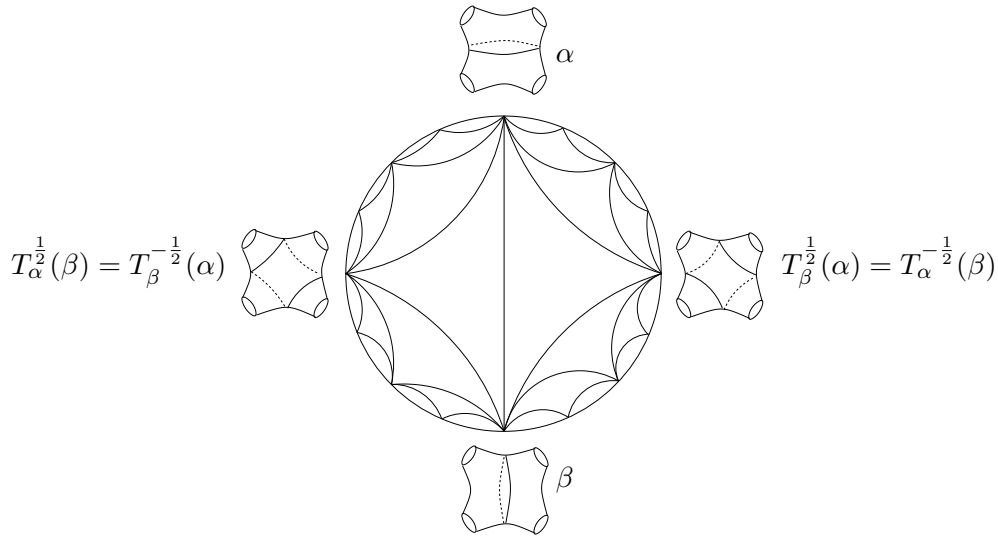


Figure 2: $\mathcal{P}(S_{0,4})$ and some curves representing its vertices.

A cycle $v_1, \dots, v_m = v_1$ is called an **alternating cycle** if any two consecutive edges are in different Farey graphs. See Figure 4 for an example of an alternating pentagon in $\mathcal{P}(S_{0,5})$. The following is proved in [7, Lemma 4.2]. We note that for a simplicial map of a pentagon, however, any locally injective map is injective.

Lemma 2.3. *Let $X \subset \mathcal{P}(S_{0,5})$ be the pentagon shown in Figure 4 and let $\phi : X \rightarrow \mathcal{P}(S_{0,m})$ be a locally injective simplicial map. If $\phi(X)$ is an alternating pentagon, then there exists a deficiency-2 multicurve Q and a homeomorphism $f : S_{0,5} \rightarrow (S_{0,m} - Q)_0$ to a component of $S_{0,m} - Q$ such that $\phi|_X = f^Q|_X$.*

3 The construction of X_n

In this section, we construct the finite subgraph X_n , for $n \geq 5$. To begin, consider $S_{0,n}$ as the double of a regular n -gon with vertices removed. Connect every non-adjacent pair of sides of the n -gon by a straight line segment and then double to obtain a curve on $S_{0,n}$. The result is $S_{0,n}$ with a set of simple

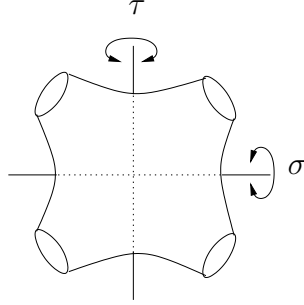


Figure 3: Two hyperelliptic involutions σ and τ of $S_{0,4}$.

closed curves Γ_n . See Figure 5 for the case of $S_{0,8}$ and Figure 6 for the case of $S_{0,5}$.

Label the sides of the n -gon cyclically as $1, \dots, n$. In all that follows, we assume that any reference to these labels is taken modulo n (thus, if i is a label, so is $i + 1$ and $i - 1$). Given labels i and j , write $\alpha_{i,j}$ for the curve in Γ_n obtained from the arc connecting the i^{th} side to the j^{th} side. For each i , we call $\alpha_{i,i+2}$ a **chain curve** of $S_{0,n}$. Compare [2, Section 3].

Let $W \subset \Gamma_n$ be a deficiency- m multicurve such that $(S_{0,n} - W)$ has only one nontrivial component $(S_{0,n} - W)_0$ homeomorphic to a sphere with $m + 3$ punctures. Let Γ_{m+3}^W be the subset of Γ_n whose every element is disjoint from every element of W .

Lemma 3.1. *Let $W \subset \Gamma_n$ be a deficiency- m multicurve such that there is a nontrivial component $(S_{0,n} - W)_0$ of $(S_{0,n} - W)$ homeomorphic to a sphere with $m + 3$ punctures.*

Then there is a homeomorphism

$$h : S_{0,m+3} \rightarrow (S_{0,n} - W)_0$$

such that $h(\Gamma_{m+3}) = \Gamma_{m+3}^W$.

Proof. Consider $S_{0,n}$ as the double of a regular n -gon as described above. Then the curves in W are obtained from doubling pairwise disjoint arcs in the regular n -gon. There is a component Δ of the complement of those arcs that is doubled to produce $(S_{0,n} - W)_0$. Collapsing those arcs to points, Δ becomes an $(m + 3)$ -gon. Doubling, this defines a homeomorphism $h : S_{0,m+3} \rightarrow (S_{0,n} - W)_0$. The set Γ_{m+3}^W in $(S_{0,n} - W)_0$ is then the image under

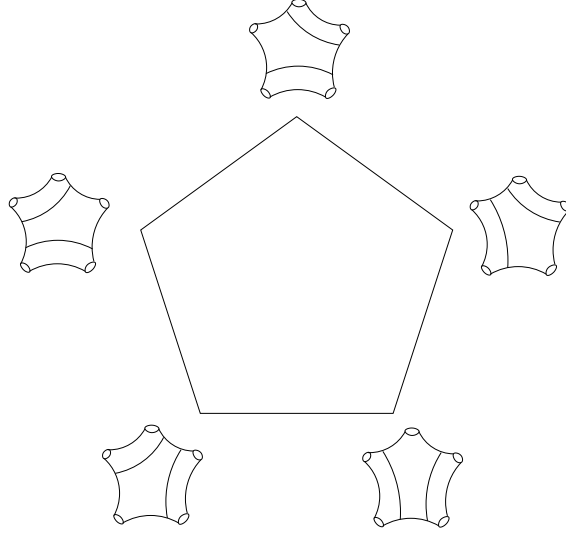


Figure 4: An alternating pentagon in $\mathcal{P}(S_{0,5})$.

h of the set of curves obtained by doubling arcs connecting non-adjacent pair of sides of the $(m + 3)$ -gon, i.e., $h(\Gamma_{m+3}) = \Gamma_{m+3}^W$ as required. \square

Let V_n be the set of vertices of $\mathcal{P}(S_{0,n})$ that correspond to pants decompositions consisting of curves from Γ_n .

Let Z_n be a subgraph of $\mathcal{P}(S_{0,n})$ induced by V_n , that is, Z_n is the largest subgraph with V_n as its vertex set.

Lemma 3.2. *For $n \geq 5$, the subgraph Z_n is finite and connected.*

Proof. The finiteness is obvious since the number of vertices is finite. We prove the connectedness by induction on n , the number of punctures. The base case when $n = 5$ is true since Z_5 is a pentagon.

For each $i = 1, \dots, n$, let v_i be a vertex in Z_n corresponding to the pants decomposition $\{\alpha_{i,x} \in \Gamma_n | x \neq i - 1, i, i + 1\}$. It is not hard to see that two vertices v_i and v_{i+1} are connected in Z_n by a path of length $n - 3$. Hence any two vertices v_i and v_j are connected in Z_n . Given any vertex v in Z_n , we will show that v is connected to one of the v_i 's. Note that as a pants decomposition, v must contain a chain curve. Choose a chain curve $\alpha = \alpha_{s,s+2}$ in v . The nontrivial component of $S_{0,n} - \alpha$ is homeomorphic to $S_{0,n-1}$. By Lemma 3.1, $Z_n \cap P_\alpha(S_{0,n}) \cong Z_{n-1}$. By the induction hypothesis,

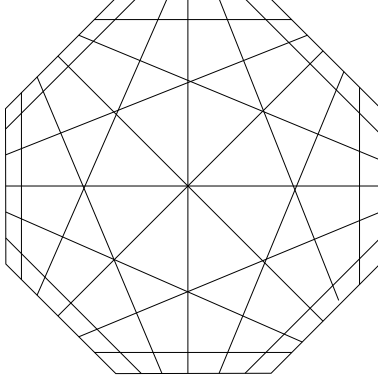


Figure 5: $S_{0,8}$ and the set of simple closed curves Γ_8 .

the vertex v is connected to $v_s = \{\alpha_{s,x} \in \Gamma_n\}$ by a path in $Z_n \cap P_\alpha(S_{0,n})$. Therefore we conclude that Z_n is connected. \square

Let

$$X_5 = Z_5 \cup \bigcup_{c \in \Gamma_5} T_c^{\pm \frac{1}{2}}(Z_5),$$

where $T_c^{\frac{1}{2}}$ is a simplicial map on $\mathcal{P}(S_{0,5})$ induced by the half-twist around the chain curve c ; see Figure 6.

We see that X_5 is a finite subgraph consisting of 11 alternating pentagons; one is Z_5 and the other 10 are the images of Z_5 under the twists. Each image of Z_5 shares an edge with Z_5 , thus has two edges adjacent to Z_5 (in particular, X_5 is connected). These two edges from each of the 10 image pentagons form 10 triangles; each triangle has one of its edges in Z_5 . In particular, each edge of Z_5 has two triangles attached to it. We call Z_5 **the core pentagon** of X_5 and call Z_5 together with these 10 triangles **the thick pentagon** \widehat{Z}_5 of X_5 . See Figure 6. We also call any subgraph which is isomorphic to \widehat{Z}_5 a thick pentagon.

Lemma 3.3. *If $Z \subset \mathcal{P}(S_{0,m})$ is an alternating pentagon then there exists a unique thick pentagon \widehat{Z} containing Z and a unique subgraph $X \cong X_5$ containing \widehat{Z} . Moreover if $v, w \in \widehat{Z} - Z$ are connected by a length-2 path γ in X then γ is the unique length-2 path in $\mathcal{P}(S_{0,m})$ connecting v and w .*

Proof. Each edge of Z is contained in a unique Farey graph determined by the deficiency-1 multicurve corresponding to the intersection of its endpoints,

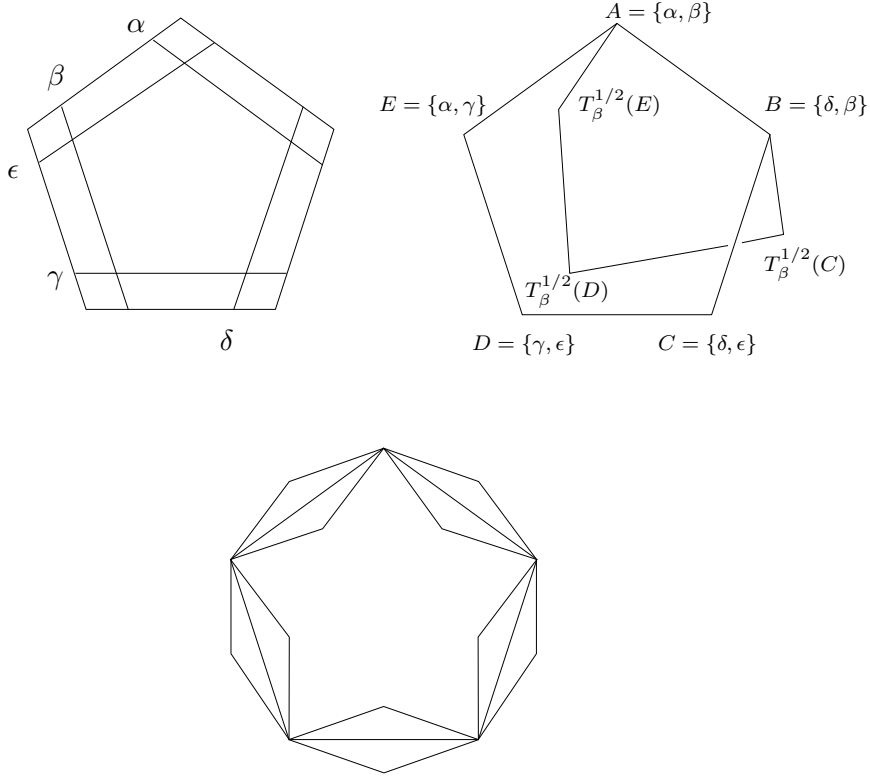


Figure 6: (Top left) $S_{0,5}$ and simple closed curves in Γ_5 , (top right) $Z_5 \cup T_{\beta}^{\frac{1}{2}}(Z_5)$ and (bottom) the thick pentagon \widehat{Z}_5 .

(see [8, Lemma 2] or [1, Lemma 8]). Then the existence and uniqueness of \widehat{Z} come from the fact that, in a Farey graph, each edge is contained in exactly two triangles. For example, in Figure 6, the edge $\overline{AE} = \overline{\{\alpha, \beta\}\{\alpha, \gamma\}}$ has two triangles attaching to it and the remaining two vertices of the triangles are $T_{\gamma}^{\frac{1}{2}}(A) = T_{\beta}^{-\frac{1}{2}}(E)$ and $T_{\beta}^{\frac{1}{2}}(E) = T_{\gamma}^{-\frac{1}{2}}(A)$.

It remains to prove the existence and uniqueness of X . Since Z is an alternating pentagon, there exists a deficiency-2 multicurve Q such that $S_{0,m} - Q$ has exactly one nontrivial component $(S_{0,m} - Q)_0$ homeomorphic to $S_{0,5}$ and $Z \subset \mathcal{P}_Q(S_{0,m}) \cong \mathcal{P}((S_{0,m} - Q)_0) \cong \mathcal{P}(S_{0,5})$, [1, Lemma 8]. Therefore we can write $Z = \{A = \{\alpha, \beta\} \cup Q, B = \{\delta, \beta\} \cup Q, \dots, E = \{\alpha, \gamma\} \cup Q\}$; see Figure 7.

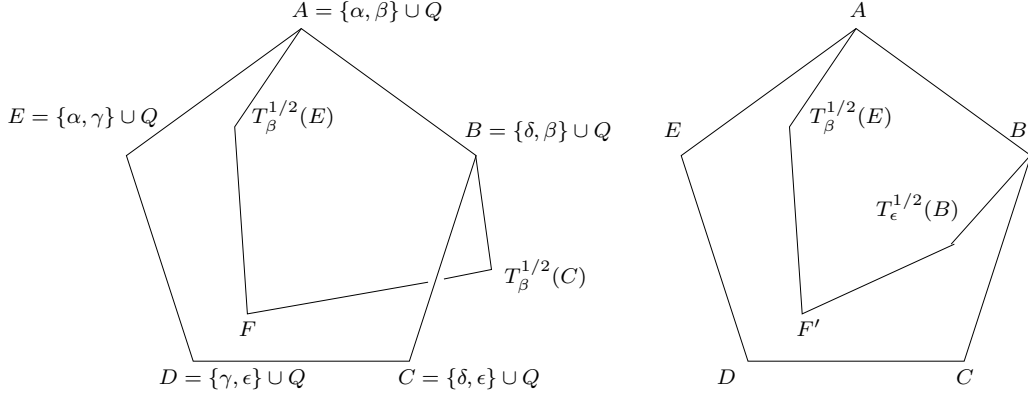


Figure 7: Z and two possible pictures of Y .

Write $\Gamma = \{\alpha, \beta, \delta, \epsilon, \gamma\}$. The subgraph

$$X = Z \cup \bigcup_{c \in \Gamma} T_c^{\pm \frac{1}{2}}(Z),$$

contains Z and $X \cong X_5$. This proves the existence of X .

Next, let $X' \subset \mathcal{P}(S_{0,m})$ be a subgraph such that $Z \subset X'$ and $X' \cong X_5$. We will show that $X = X'$. Since \widehat{Z} is the unique thick pentagon containing Z and $X' \cong X_5$, it follows that $\widehat{Z} \subset X'$. Let $Y \subset X'$ be a pentagon sharing only one of its edges with Z . Considering Figure 7, we assume without loss of generality that the shared edge is \overline{AB} and $T_\beta^{\frac{1}{2}}(E)$ is a vertex of Y adjacent to \overline{AB} . Then another edge of Y adjacent to \overline{AB} has either $T_\beta^{\frac{1}{2}}(C)$ or $T_\epsilon^{\frac{1}{2}}(B)$ as its endpoint. Let F be the remaining vertex of Y . We note that, as a pants decomposition, F must contain the multicurve Q . Then by direct calculations, if $T_\beta^{\frac{1}{2}}(C)$ is the endpoint, then the vertex $F = Q \cup \{T_\beta^{\frac{1}{2}}(\gamma), T_\beta^{\frac{1}{2}}(\epsilon)\} = T_\beta^{\frac{1}{2}}(D)$ so $Y = T_\beta^{\frac{1}{2}}(Z)$, and if $T_\epsilon^{\frac{1}{2}}(B)$ is the endpoint, then there is no such Y since $i(T_\beta^{\frac{1}{2}}(\gamma), T_\epsilon^{\frac{1}{2}}(\beta)) = 4 > 0$. Hence any pentagon $Y \subset X'$ sharing only one edge with Z is $T_c^{\pm \frac{1}{2}}(Z)$ for some curve $c \in \Gamma$. We conclude that $X = X'$. The last statement of the lemma follows from the proof. \square

Let \mathcal{G} be a subgraph of $\mathcal{P}(S_{0,n})$. We define **the thick graph** $\widehat{\mathcal{G}}$ for \mathcal{G} to be the union of \mathcal{G} with all triangles in $\mathcal{P}(S_{0,n})$ that share at least one of their

edges with an edge in \mathcal{G} . If e is an edge, we call the thick graph \hat{e} for e **the thick edge** which is the union of two triangles whose the common edge is e .

For a vertex $v \in Z_n$, let $\text{st}(v)$ denote the closed star of v which is the union of all edges containing v . We define $\text{st}_{Z_n}(v) = \text{st}(v) \cap Z_n$, and let $\widehat{\text{st}}_{Z_n}(v)$ be the thick graph for $\text{st}_{Z_n}(v)$.

Lemma 3.4. *Let v be a vertex of Z_n . Then $\text{st}_{Z_n}(v)$ consists of $n - 3$ edges. Moreover these $n - 3$ edges are contained in $n - 3$ distinct Farey graphs. Consequently, $\widehat{\text{st}}_{Z_n}(v)$ consists of $n - 3$ thick edges and these thick edges are contained in different Farey graphs.*

Proof. Consider v as a pants decomposition on $S_{0,n}$. Then v contains $n - 3$ simple closed curves. An edge which is adjacent to v corresponds to an elementary move. Forgetting a closed curve α in v gives a nontrivial component $(S_{0,n} - (v - \{\alpha\}))_0$ of $S_{0,n}$ homeomorphic to $S_{0,4}$. This nontrivial component contains two intersecting curves in Γ_n and one of these two curves is α . Hence there is only one elementary move which is able to change α to another curve in Γ_n . Forgetting two different curves in v gives two different nontrivial components homeomorphic to $S_{0,4}$. Therefore there are $n - 3$ edges in Z_n adjacent to v and these edges are contained in $n - 3$ different Farey graphs. The lemma follows. \square

Recall the description of $S_{0,5}$ as the double of a pentagon with vertices removed. Let $e : S_{0,5} \rightarrow S_{0,5}$ be the involution exchanging the two pentagons. We observe that the involution e induces a simplicial map on $\mathcal{P}(S_{0,5})$ whose the restriction to Z_5 is the identity and which restricts to a symmetry of X_5 .

Lemma 3.5. *Let $G = \text{Sym}(X_5, Z_5)$ be the subgroup of the symmetry group $\text{Sym}(X_5)$ of X_5 consisting of all elements that fix Z_5 pointwise. Then $G \cong \mathbb{Z}/2\mathbb{Z}$ generated by e .*

Proof. Recall the thick pentagon \widehat{Z}_5 in Figure 6. There are 10 vertices of the triangles outside Z_5 and we number them as in Figure 8. Let V be the set of these 10 vertices. Each vertex in V is paired by two pentagons in X_5 to two vertices in V , for example, $\{1, 6\}$ is a pair because 1 and 6 are in the same image pentagon shown in Figure 8. This forms 10 pairs of vertices, namely, $\{1, 6\}, \{2, 5\}, \{1, 8\}, \{2, 7\}, \{3, 8\}, \{4, 7\}, \{3, 10\}, \{4, 9\}, \{5, 10\}, \{6, 9\}$.

Let $\mathbb{S}_{\{x,y\}}$ be the symmetric group on two letters x and y . Note that $\mathbb{S}_{\{x,y\}} \cong \mathbb{Z}/2\mathbb{Z}$ generated by $\sigma_{\{x,y\}}$ which interchanges x and y .

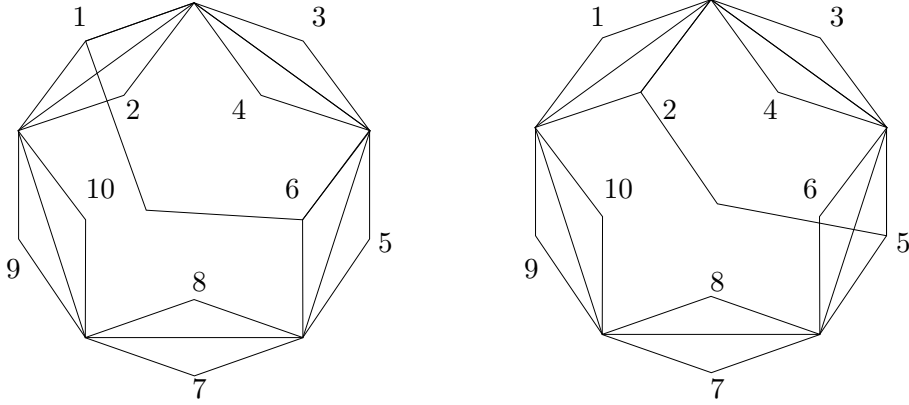


Figure 8: Thick pentagon \widehat{Z}_5 and the 10 labeled vertices.

Let $H = \mathbb{S}_{\{1,2\}} \times \mathbb{S}_{\{3,4\}} \times \mathbb{S}_{\{5,6\}} \times \mathbb{S}_{\{7,8\}} \times \mathbb{S}_{\{9,10\}} \cong (\mathbb{Z}/2\mathbb{Z})^5$. There is a natural injective homomorphism $\eta : G \rightarrow H$. Let g be a nonidentity element in G . Without loss of generality, we assume that $g(1) = 2$. By Lemma 3.3, g maps the pentagon in X_5 containing 1 and 6 to the pentagon in X_5 containing 2 and 5; see Figure 8. Thus $g(5) = 6$. By similar argument and the above observation of how vertices in V are paired to each others, we see that $\eta(g) = (\sigma_{\{1,2\}}, \sigma_{\{3,4\}}, \sigma_{\{5,6\}}, \sigma_{\{7,8\}}, \sigma_{\{9,10\}})$. Hence $\eta(G) \cong \mathbb{Z}/2\mathbb{Z}$ and so $G \cong \mathbb{Z}/2\mathbb{Z}$ generated by e . \square

For $n > 5$, we construct X_n as follows. Let $W \subset \Gamma_n$ be a deficiency-2 multicurve such that the nontrivial component $(S_{0,n} - W)_0$ of $S_{0,n} - W$ is homeomorphic to $S_{0,5}$. By Lemma 3.1, we have a homeomorphism of pairs $h : (S_{0,5}, \Gamma_5) \rightarrow ((S_{0,n} - W)_0, \Gamma_5^W)$. Let

$$X_5^W = h^W(X_5) = \{h(u) \cup W \mid u \in X_5\},$$

where $h^W : P(S_{0,5}) \rightarrow P(S_{0,n})$ is the induced map of h as defined in Section 1 by $h^W(u) = h(u) \cup W$.

Finally we let

$$X_n = Z_n \cup \bigcup_W X_5^W,$$

where the union is taken over all deficiency-2 multicurves in Γ_n with a 5-punctured sphere component.

Lemma 3.6. *For $n \geq 6$, X_n has the following properties.*

1. $X_n \subset \mathcal{P}(S_{0,n})$ is connected.
2. For each chain curve α_i , $i = 1, \dots, n$, let $X_{n-1}^i = X_n \cap \mathcal{P}_{\alpha_i}(S_{0,n})$. Then $X_{n-1}^i \cong X_{n-1}$. Moreover, this isomorphism is induced by $h : S_{0,n-1} \rightarrow (S_{0,n} - \alpha_i)_0$ as $h^{\alpha_i}(v) = h(v) \cup \{\alpha_i\} \in X_{n-1}^i$.
3. If $n \geq 7$ and α_i, α_j are disjoint chain curves then $X_{n-2}^{ij} = X_n \cap \mathcal{P}_{\{\alpha_i, \alpha_j\}}(S_{0,n}) \cong X_{n-2}$ with isomorphism $h^{\{\alpha_i, \alpha_j\}}$.

Proof. 1. Since the core pentagon of each X_5^W is in Z_n , X_5^W is connected to Z_n in X_n . By Lemma 3.2, Z_n is connected. Hence X_n is connected.

2. Fix a chain curve α_i . By Lemma 3.1, there is a homeomorphism $h : S_{0,n-1} \rightarrow (S_{0,n} - \alpha_i)_0$ such that $h(\Gamma_{n-1}) = \Gamma_{n-1}^{\alpha_i}$ and h induces an isomorphism from Z_{n-1} to $Z_n \cap \mathcal{P}_{\alpha_i}(S_{0,n})$. Moreover, for every deficiency-2 multicurve $W_0 \subset \Gamma_{n-1}$, $W = h(W_0) \cup \{\alpha_i\}$ is a deficiency-2 multicurve in Γ_n and h induces an isomorphism from $X_5^{W_0}$ to X_5^W . Therefore h induces a simplicial injection from X_{n-1} to $X_n \cap \mathcal{P}_{\alpha_i}(S_{0,n})$. We need to show that this is surjective.

Recall the definition of X_n above. Let W be a deficiency-2 multicurve in Γ_n with $(S_{0,n} - W)_0 \cong S_{0,5}$. If $i(\alpha_i, W) \neq 0$, then $X_5^W \cap \mathcal{P}_{\alpha_i}(S_{0,n}) = \emptyset$. For the rest of the proof we assume that $i(\alpha_i, W) = 0$. To prove the surjectivity, we will show that any vertex $u \in X_5^W \cap \mathcal{P}_{\alpha_i}(S_{0,n})$ is in $h^{\alpha_i}(X_5^{W_0})$ for some deficiency-2 multicurve W_0 in Γ_{n-1} . We consider the following two cases.

If $\alpha_i \in W$, then $W'_0 = W - \{\alpha_i\}$ is a deficiency-2 multicurve in $(S_{0,n} - \alpha_i)_0$. Setting $W_0 = h^{-1}(W'_0)$, we have $W = h(W_0) \cup \{\alpha_i\}$. Thus X_5^W is the image of $X_5^{W_0}$ by h^{α_i} .

Suppose $\alpha_i \notin W$. Then α_i is contained in $(S_{0,n} - W)_0$, moreover $\alpha_i \in \Gamma_5^W$. Hence, by the definition of X_5^W , $X_5^W \cap \mathcal{P}_{\alpha_i}(S_{0,n}) \neq \emptyset$. Let u be a vertex in $X_5^W \cap \mathcal{P}_{\alpha_i}(S_{0,n})$. Consider u as a pants decomposition. We claim that there is a deficiency-2 multicurve W'' such that $\alpha_i \in W''$, $u \in X_5^{W''} \cap \mathcal{P}_{\alpha_i}(S_{0,n})$, and so from the case that $\alpha_i \in W''$, we see that u is in the image of h^{α_i} , as required. We prove the claim as follows. Since $u \in X_5^W \cap \mathcal{P}_{\alpha_i}(S_{0,n})$ and $\alpha_i \notin W$, $u = W \cup \{\alpha_i\} \cup \{x\}$ for some simple closed curve $x = y$ or $T_\beta^{\pm \frac{1}{2}}(y)$, with $y, \beta \in \Gamma_n^W$. Since $S_{0,n}$ has complexity at least 3 and α_i is a chain curve, there exists a close curve $\gamma \in W$ such that $W'' = (W - \{\gamma\}) \cup \{\alpha_i\}$ is a deficiency-2 multicurve with nontrivial component $(S_{0,n} - W'')_0 \cong S_{0,5}$. Then $u = W'' \cup \{\gamma\} \cup \{x\} \in X_5^{W''} \cap \mathcal{P}_{\alpha_i}(S_{0,n})$ as desired.

3. The statement is proved by applying 2 twice. \square

4 The proof for $S_{0,5}$

We prove the main theorem for $n = 5$.

Lemma 4.1. *Let $X_5 \subset \mathcal{P}(S_{0,5})$ be as above. Then for any punctured sphere $S_{0,m}$ and any injective simplicial map*

$$\phi : X_5 \rightarrow \mathcal{P}(S_{0,m}),$$

there exists a π_1 -injective embedding $f : S_{0,5} \rightarrow S_{0,m}$, unique up to isotopy, that induces ϕ .

Proof. We show that ϕ maps the core pentagon Z_5 of the thick pentagon \widehat{Z}_5 in X_5 to an alternating pentagon in $\mathcal{P}(S_{0,m})$.

Let F be a Farey graph in $\mathcal{P}(S_{0,m})$. We claim that ϕ cannot map any three consecutive edges of Z_5 into F . To find a contradiction, we assume that ϕ maps three consecutive edges \overline{ABCD} of Z_5 into F . Since ϕ is locally injective, ϕ maps all six triangles attaching to these edges to distinct triangles in F . Up to an automorphism of F , the image of the six triangles must be one of the two pictures in Figure 9. This implies that the distance of $\phi(A)$ and $\phi(D)$ in F is greater than the distance of $\phi(A)$ and $\phi(D)$ in $\mathcal{P}(S_{0,m})$, that is,

$$\text{dist}_F(\phi(A), \phi(D)) = 3 > 2 = \text{dist}_{\phi(X_5)}(\phi(A), \phi(D)) \geq \text{dist}_{\mathcal{P}(S_{0,m})}(\phi(A), \phi(D)).$$

This is a contradiction to the fact, proven in [3], that F is isometrically embedded.

Next we claim that ϕ cannot map any two adjacent edges of Z_5 into F . To find a contradiction, we assume that ϕ maps \overline{ABC} into F . The locally injectivity of ϕ implies that the two edges $\overline{\phi(A)\phi(B)}$ and $\overline{\phi(B)\phi(C)}$ are separated by at least three triangles in F . Let W be the deficiency-1 multicurve defining F , so that $\phi(A) = W \cup \{a\}$, $\phi(B) = W \cup \{b\}$. Then $\phi(C) = W \cup \{T_b^k(a)\}$, $k \geq 3/2$; see Figure 10. By the previous claim the edges $\overline{\phi(A)\phi(E)}$ and $\overline{\phi(C)\phi(D)}$ are not in F . Then $\phi(E) = W' \cup \{a\}$, $\phi(D) = W'' \cup \{T_b^k(a)\}$; see Figure 10. Since $i(a, T_b^k(a)) > 2$ when $k \geq 3/2$, $i(\phi(E), \phi(D)) > 2$. Hence there is no elementary move from $\phi(D)$ to $\phi(E)$; i.e. $\phi(D)$ and $\phi(E)$ are not connected by an edge. This is a contradiction, and so we conclude that $\phi(Z_5)$ is an alternating pentagon. Moreover $\phi(\widehat{Z}_5)$ is isomorphic to \widehat{Z}_5 , i.e., ϕ is injective on \widehat{Z}_5 . For any two vertices v and w in $\widehat{Z}_5 - Z_5$ that are connected

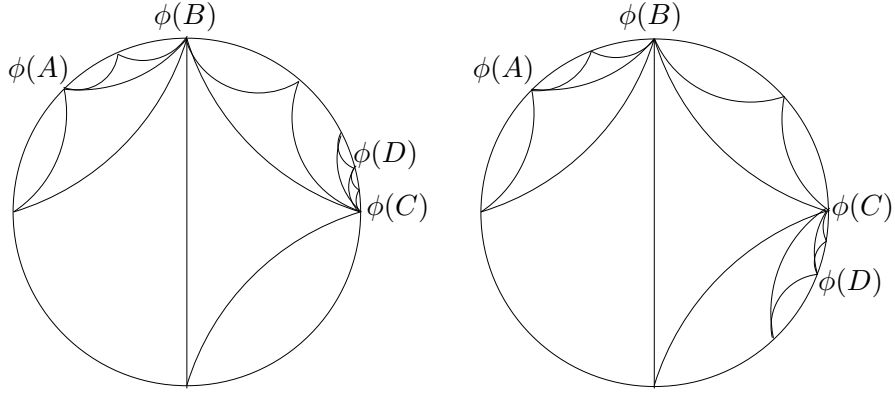


Figure 9: Possible images in F of three consecutive edges of \hat{Z}_5 and triangles of \hat{Z}_5 adjacent to them.

by a length-2 path in X_5 , $\phi(v)$ and $\phi(w)$ are also connected by a length-2 path in $\phi(X_5)$. Appealing to the last statement of Lemma 3.3, $\phi(X_5)$ is isomorphic to X_5 , i.e., ϕ is injective on X_5 . By Lemma 2.3, there exists a deficiency-2

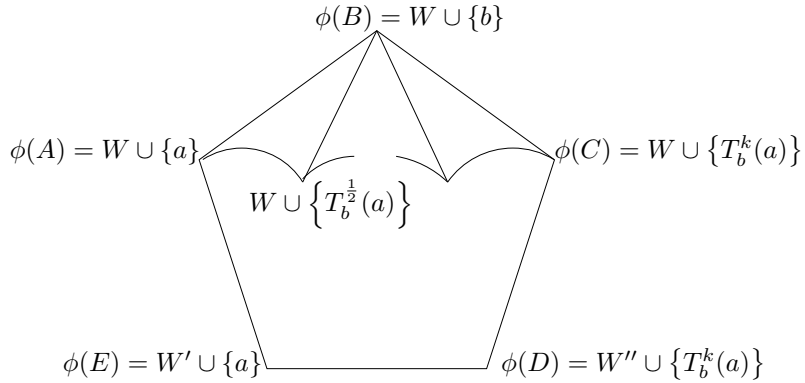


Figure 10: Image of two adjacent edges of Z_5 in F .

multicurve Q and a homeomorphism $f : S_{0,5} \rightarrow (S_{0,m} - Q)_0$ to the nontrivial component of $S_{0,m} - Q$ such that $\phi|_{Z_5} = f^Q|_{Z_5}$. Moreover, f is unique up to precomposing by e (and isotopy) since the pointwise stabilizer of Z_5 in $\text{Mod}(S_{0,5})$ is generated by e . So $f^Q(X_5)$ is a subgraph of $\mathcal{P}(S_{0,m})$ containing

$f^Q(Z_5) = \phi(Z_5)$. By Lemma 3.3, $f^Q(X_5) = \phi(X_5)$. Since $(f^Q)^{-1} \circ \phi$ is the identity map on Z_5 , Lemma 3.5 implies that either $(f^Q)^{-1} \circ \phi = \text{id}_{X_5}$ or $e \circ (f^Q)^{-1} \circ \phi = \text{id}_{X_5}$. Hence $(f^Q \circ e)|_{X_5} = (f \circ e)|_{X_5}^Q = \phi$ or $f^Q|_{X_5} = \phi$. In either case ϕ is induced by an embedding. \square

5 The general case

We now proceed to the proof of the main theorem in the general case.

Proof of Theorem 1.1. We prove the main theorem by induction on n .

Lemma 4.1 proves the base case when $n = 5$.

Suppose the theorem is true for an $n \geq 5$. Consider an injective simplicial map $\phi : X_{n+1} \rightarrow \mathcal{P}(S_{0,m})$. For each chain curve α_i in $S_{0,n+1}$, $i = 1, \dots, n+1$, recall $X_n^i = X_{n+1} \cap \mathcal{P}_{\alpha_i}(S_{0,n+1})$. By Lemma 3.6, $X_n^i \cong X_n$ and $X_n^i \subset \mathcal{P}_{\alpha_i}(S_{0,n+1}) \cong \mathcal{P}((S_{0,n+1} - \alpha_i)_0) \cong \mathcal{P}(S_{0,n})$. Given a vertex $u \in X_n^i$, consider u as a pants decomposition of $S_{0,n+1}$ so that $u_{\alpha_i} = u - \{\alpha_i\}$ is a pants decomposition of $(S_{0,n+1} - \alpha_i)_0$. Define an injective simplicial map

$$\phi_i : X_n^i \rightarrow \mathcal{P}(S_{0,m})$$

by $\phi_i(u) = \phi(u)$. By the induction hypothesis, there is an embedding $f_i : (S_{0,n+1} - \alpha_i)_0 \rightarrow S_{0,m}$, unique up to isotopy, such that f_i induces ϕ_i , i.e., f_i has the following properties:

1. there is a deficiency- $(n-3)$ multicurve Q_i in $S_{0,m}$ such that $S_{0,m} - Q_i$ has only one nontrivial component $(S_{0,m} - Q_i)_0 \cong S_{0,n}$ and $f_i((S_{0,n+1} - \alpha_i)_0) = (S_{0,m} - Q_i)_0$,
2. the simplicial map $f_i^{Q_i} : \mathcal{P}_{\alpha_i}(S_{0,n+1}) \rightarrow \mathcal{P}(S_{0,m})$ defined by

$$f_i^{Q_i}(u) = f_i(u_{\alpha_i}) \cup Q_i$$

satisfies $f_i^{Q_i}|_{X_n^i} = \phi_i$.

Under all the hypotheses above, we prove the following three lemmas.

Lemma 5.1. *If α_i and α_j are disjoint chain curves then $i(Q_i, Q_j) = 0$.*

Proof. Since $n + 1 \geq 6$, $(S_{0,n+1} - \{\alpha_i, \alpha_j\})_0 \cong S_{0,n-1}$ with $n - 1 \geq 4$. Since $\{\alpha_i, \alpha_j\} \subset \Gamma_{n+1}$, $Z_{n+1} \cap \mathcal{P}_{\{\alpha_i, \alpha_j\}}(S_{0,n+1}) \neq \emptyset$ and contains an edge e . Since e is an edge in

$$\mathcal{P}_{\{\alpha_i, \alpha_j\}}(S_{0,n+1}) = \mathcal{P}_{\{\alpha_i\}}(S_{0,n+1}) \cap \mathcal{P}_{\{\alpha_j\}}(S_{0,n+1}),$$

$\phi(e) = \phi_i(e) \subset \mathcal{P}_{Q_i}(S_{0,m})$ and $\phi(e) = \phi_j(e) \subset \mathcal{P}_{Q_j}(S_{0,m})$. Thus

$$\mathcal{P}_{Q_i}(S_{0,m}) \cap \mathcal{P}_{Q_j}(S_{0,m}) \neq \emptyset.$$

Hence $i(Q_i, Q_j) = 0$. □

Lemma 5.2. *If $\alpha_i, \alpha_j, \alpha_k$ are pairwise disjoint chain curves and $u \in Z_{n+1} \cap \mathcal{P}_{\{\alpha_i, \alpha_j, \alpha_k\}}(S_{0,n+1})$ is any vertex, then the $n - 2$ thick edges in $\widehat{\text{st}}_{Z_{n+1}}(u)$ from Lemma 3.4 are mapped into $n - 2$ distinct Farey graphs by ϕ .*

Proof. Lemma 3.4 shows that the $n - 2$ thick edges in $\widehat{\text{st}}_{Z_{n+1}}(u)$ are contained in distinct Farey graphs. Then $\widehat{\text{st}}_{X_{n+1}}(u) \cap \mathcal{P}_{\alpha_i}(S_{0,n+1})$ contains $n - 3$ thick edges and $f_i^{Q_i}$ maps the $n - 3$ distinct Farey graphs containing these thick edges to distinct Farey graphs in $\mathcal{P}_{Q_i}(S_{0,m})$. The same is true if i is replaced by j or k .

Now for any two thick edges \hat{e}_1 and \hat{e}_2 in $\widehat{\text{st}}_{Z_{n+1}}(u)$, \hat{e}_1 and \hat{e}_2 are both contained in at least one of $\mathcal{P}_{\alpha_i}(S_{0,n+1})$, $\mathcal{P}_{\alpha_j}(S_{0,n+1})$ or $\mathcal{P}_{\alpha_k}(S_{0,n+1})$. Assume that \hat{e}_1 and \hat{e}_2 are contained in $\mathcal{P}_{\alpha_i}(S_{0,n+1})$, then $f_i^{Q_i}(\hat{e}_1) = \phi(\hat{e}_1)$ and $f_i^{Q_i}(\hat{e}_2) = \phi(\hat{e}_2)$ are in different Farey graphs. □

Lemma 5.3. *If $\alpha_i, \alpha_j, \alpha_k$ are pairwise disjoint chain curves then $Q_i \neq Q_j \neq Q_k \neq Q_i$.*

Proof. Suppose $Q_i = Q_j$. Let u be a vertex in $Z_{n+1} \cap \mathcal{P}_{\{\alpha_i, \alpha_j, \alpha_k\}}(S_{0,n+1})$.

As in the previous proof, $f_i^{Q_i}$ and $f_j^{Q_j}$ map the $n - 3$ thick edges of $\widehat{\text{st}}_{X_{n+1}}(u) \cap \mathcal{P}_{\alpha_i}(S_{0,n+1})$ and $\widehat{\text{st}}_{X_{n+1}}(u) \cap \mathcal{P}_{\alpha_j}(S_{0,n+1})$ into $n - 3$ thick edges in $\mathcal{P}_{Q_i}(S_{0,m})$ and $\mathcal{P}_{Q_j}(S_{0,m}) = \mathcal{P}_{Q_i}(S_{0,m})$, respectively. There are $n - 4$ thick edges in $\widehat{\text{st}}_{X_{n+1}}(u) \cap \mathcal{P}_{\alpha_i}(S_{0,n+1}) \cap \mathcal{P}_{\alpha_j}(S_{0,n+1})$ and $f_i^{Q_i}$ agrees with $f_j^{Q_j}$ on these thick edges because $f_i^{Q_i}(v) = \phi(v) = f_j^{Q_j}(v)$, for any vertex $v \in X_n^i \cap X_n^j$. Let \hat{e}_i be the thick edge in $\widehat{\text{st}}_{X_{n+1}}(u) \cap \mathcal{P}_{\alpha_i}(S_{0,n+1})$ but not in $\widehat{\text{st}}_{X_{n+1}}(u) \cap \mathcal{P}_{\alpha_j}(S_{0,n+1})$ and let \hat{e}_j be the thick edge in $\widehat{\text{st}}_{X_{n+1}}(u) \cap \mathcal{P}_{\alpha_j}(S_{0,n+1})$ but not in $\widehat{\text{st}}_{X_{n+1}}(u) \cap \mathcal{P}_{\alpha_i}(S_{0,n+1})$. Since Q_i is a deficiency- $(n - 3)$ multicurve, there are $n - 3$ Farey graphs in $\mathcal{P}_{Q_i}(S_{0,m}) = \mathcal{P}_{Q_j}(S_{0,m})$ that contain $f_i^{Q_i}(u) = f_j^{Q_j}(u)$.

However, $f_i^{Q_i}(\widehat{e}_i)$, $f_j^{Q_j}(\widehat{e}_j)$ and the $n-4$ thick edges in $\widehat{\text{st}}_{X_{n+1}}(u) \cap \mathcal{P}_{\alpha_i}(S_{0,n+1}) \cap \mathcal{P}_{\alpha_j}(S_{0,n+1})$ above all map into distinct Farey graphs by Lemma 5.2. Since this is $n-2 > n-3$, we obtain a contradiction. \square

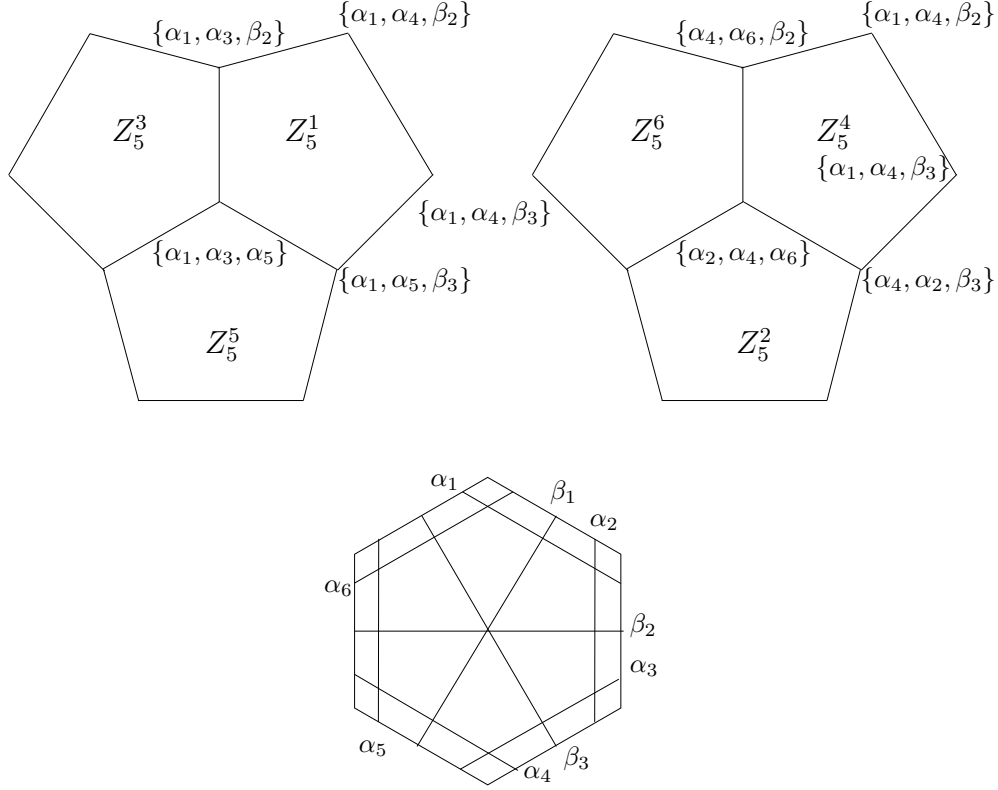


Figure 11: (Upper) Z_6 as a union of $Z_5^1 \cup Z_5^3 \cup Z_5^5$ on the left and $Z_5^2 \cup Z_5^4 \cup Z_5^6$ on the right, the two subgraphs share three edges as labelled; (lower) $S_{0,6}$ with curves in Γ_6 .

With the hypothesis as in Lemma 5.3, we must have

$$Q_i \cap Q_j = Q_i \cap Q_k = Q_j \cap Q_k = Q_i \cap Q_j \cap Q_k = Q,$$

Q has deficiency $n-2$ and there is a connected complexity $n-2$ component $(S_{0,m} - Q)_0$.

The proofs are different for $n+1=6$ and $n+1 \geq 7$. We first prove the theorem for $S_{0,n+1} = S_{0,6}$. We label the six chain curves by α_i for $i=1, \dots, 6$

and the three non-chain curves in Γ_6 by β_i for $i = 1, 2, 3$ as in Figure 11; also see the figure for the picture of Z_6 as a union of $Z_5^1 \cup Z_5^3 \cup Z_5^5$ and $Z_5^2 \cup Z_5^4 \cup Z_5^6$, where $Z_5^i = Z_6 \cap \mathcal{P}_{\alpha_i}(S_{0,6}) = X_5^i \cap Z_6$. Note that, in this case, Q_i is a deficiency-2 multicurve for all $i = 1, \dots, 6$.

Let $i \neq j \in \{1, 3, 5\}$ or $i \neq j \in \{2, 4, 6\}$. Define $F_{i,j} : S_{0,6} \rightarrow S_{0,m}$ by

$$F_{i,j} = \begin{cases} f_i & \text{on } (S_{0,6} - \alpha_i)_0 \\ f_j & \text{on } (S_{0,6} - \alpha_j)_0 \end{cases}.$$

We claim that f_i and f_j agree on $(S_{0,6} - \{\alpha_i, \alpha_j\})_0$ so $F_{i,j}$ is well-defined. We prove the claim in the case when $(i, j) = (1, 5)$. For other cases the proof is similar.

X_5^1 and X_5^5 share one thick edge \hat{e} having endpoints $\{\alpha_1, \alpha_5, \alpha_3\}$ and $\{\alpha_1, \alpha_5, \beta_3\}$. Moreover, $f_1^{Q_1}$ agrees with $f_5^{Q_5}$ on \hat{e} as they are both equal to ϕ . Then we have that $f_1^{Q_1}$ and $f_5^{Q_5}$ agree on $\mathcal{P}_{\alpha_1}(S_{0,6}) \cap \mathcal{P}_{\alpha_5}(S_{0,6}) = \mathcal{P}_{\{\alpha_1, \alpha_5\}}(S_{0,6}) \cong \mathcal{P}(S_{0,4})$. Hence

$$f_1((S_{0,6} - \{\alpha_1, \alpha_5\})_0) = f_5((S_{0,6} - \{\alpha_1, \alpha_5\})_0),$$

and $f_5^{-1} \circ f_1$ is either the identity or one of the three hyperelliptic involutions on $(S_{0,6} - \{\alpha_1, \alpha_5\})_0$, see Figure 3. We will show that the latter are not possible by proving that $f_5^{-1} \circ f_1$ is the identity permutation on the boundary component of $(S_{0,6} - \alpha_1, \alpha_5)_0$. Since $\alpha_1, \alpha_3, \alpha_5$ are pairwise disjoint chain curves, Lemma 5.1 and Lemma 5.3 show that, for any $i \neq j \in \{1, 3, 5\}$, $i(Q_i, Q_j) = 0$ and $Q_i \neq Q_j$. Hence, for any $i \neq j \in \{1, 3, 5\}$, the deficiency of $Q_i \cup Q_j$ is 1 and the symmetric difference $Q_i \Delta Q_j$ contains two simple closed curves. Let

$$q_1 \in Q_1 - (Q_3 \cup Q_5), \quad q_5 \in Q_5 - (Q_1 \cup Q_3), \quad q_3 \in Q_3 - (Q_1 \cup Q_5),$$

which are three distinct simple closed curves on $S_{0,m}$. We note that q_3 is a closed curve on $(S_{0,m} - (Q_1 \cup Q_5))_0 \cong S_{0,4}$ and q_3 cannot separate q_1 and q_5 since q_1 and q_5 are curves on $(S_{0,m} - Q_3)_0 \cong S_{0,5}$; see Figure 12.

Since $f_1^{Q_1}$ and $f_5^{Q_5}$ agree on $\mathcal{P}_{\{\alpha_1, \alpha_5\}}(S_{0,6}) \cong \mathcal{P}(S_{0,4})$, f_1 and f_5 map any simple closed curves on $(S_{0,6} - \{\alpha_1, \alpha_5\})_0$ to simple closed curves on $(S_{0,m} - (Q_1 \cup Q_5))_0$. Thus $f_1(\alpha_5)$ is a curve in $(S_{0,m} - (Q_1))_0$ but not in $(S_{0,m} - (Q_1 \cup Q_5))_0$, and so $f_1(\alpha_5) = q_5$. Similarly, $f_5(\alpha_1) = q_1$ and

$$f_1(\alpha_3) = q_3 = f_5(\alpha_3).$$

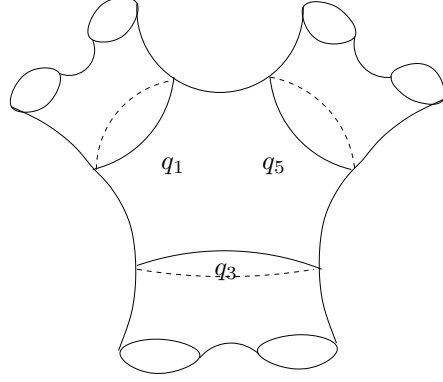


Figure 12: $f_1((S_{0,6} - \alpha_1)_0) \cup f_5((S_{0,6} - \alpha_5)_0) = (S_{0,m} - Q)_0$, together with the three curves q_1, q_3, q_5 .

Therefore $f_1(\alpha_1) = q_1$ and $f_5^{-1} \circ f_1(\alpha_1) = \alpha_1$. We conclude that $f_5^{-1} \circ f_1$ is the identity permutation on the boundary component of $(S_{0,6} - \{\alpha_1, \alpha_5\})_0$ hence cannot be one of the hyperelliptic involutions. So f_1 and f_5 agree on $(S_{0,6} - \{\alpha_1, \alpha_5\})_0$.

Observe that $F_{1,5} = F_{1,3} = F_{3,5}$ and $F_{2,4} = F_{2,6} = F_{4,6}$. For instance, to see that $F_{1,5} = F_{1,3}$, we note that f_3 agrees with f_5 on $(S_{0,6} - \{\alpha_3, \alpha_5\})_0$.

Define the common maps

$$f_{odd} = F_{1,5} = F_{1,3} = F_{3,5} \quad \text{and} \quad f_{even} = F_{2,4} = F_{2,6} = F_{4,6}.$$

We have that f_{odd} induces the restriction map of ϕ on $X_5^1 \cup X_5^3 \cup X_5^5$ and f_{even} induces the restriction map of ϕ on $X_5^2 \cup X_5^4 \cup X_5^6$.

Let $Q_{odd} = Q_1 \cap Q_3 \cap Q_5$ and $Q_{even} = Q_2 \cap Q_4 \cap Q_6$. We show that $(S_{0,m} - Q_{odd})_0 = (S_{0,m} - Q_{even})_0$. As observed after Lemma 5.3, Q_{odd} and Q_{even} are deficiency-3 multicurves and

$$f_{odd}(S_{0,6}) = (S_{0,m} - Q_{odd})_0 \quad \text{and} \quad f_{even}(S_{0,6}) = (S_{0,m} - Q_{even})_0.$$

Since $f_i^{Q_i}$ and $f_j^{Q_j}$ agree on the thick edge $\hat{e}_{i,j} \in X_5^i \cap X_5^j$ when $(i, j) \in \{(1, 4), (3, 6), (2, 5)\}$,

$$f_{odd}^{Q_{odd}}(\hat{e}_{i,j}) = f_{even}^{Q_{even}}(\hat{e}_{i,j}) \in \mathcal{P}_{Q_{odd}}(S_{0,m}) \cap \mathcal{P}_{Q_{even}}(S_{0,m}) \neq \emptyset.$$

Hence $i(Q_{odd}, Q_{even}) = 0$. Moreover we have that $f_{odd}(\beta_k) = f_{even}(\beta_k)$, for each non-chain curve $\beta_k, k = 1, 2, 3$ since β_k 's are interchanged in an

elementary move that defines the edge $e_{i,j}$. The union $\bigcup_{k=1}^3 f_{\text{odd}}(\beta_k) = \bigcup_{k=1}^3 f_{\text{even}}(\beta_k)$ fills $(S_{0,m} - Q_{\text{odd}})_0$ and $(S_{0,m} - Q_{\text{even}})_0$. Since $(S_{0,m} - Q_{\text{odd}})_0$ is the unique subsurface filled by $\bigcup_{k=1}^3 f_{\text{odd}}(\beta_k)$, we conclude that $(S_{0,m} - Q_{\text{odd}})_0 = (S_{0,m} - Q_{\text{even}})_0$.

Next, we show that $f_{\text{odd}} = f_{\text{even}}$. Recall that we are considering $S_{0,6}$ as the double of a hexagon with vertices removed. Let r and e be homeomorphisms of $S_{0,6}$ induced by rotating the hexagon by π and exchanging the hexagons, respectively. Since $f_{\text{odd}}^{-1} \circ f_{\text{even}}$ preserves each non-chain curve $\beta_k, k = 1, 2, 3$, on $S_{0,6}$, $f_{\text{odd}}^{-1} \circ f_{\text{even}}$ is either the identity map, r , e , or $r \circ e$. We will show that only the first case is possible. The homeomorphism r induces a simplicial map on $P(S_{0,6})$ which exchanges the vertices $\{\alpha_1, \alpha_3, \alpha_5\}$ and $\{\alpha_2, \alpha_4, \alpha_6\}$. If $f_{\text{odd}}^{-1} \circ f_{\text{even}} = r$ then $\phi(\{\alpha_1, \alpha_3, \alpha_5\}) = \phi(\{\alpha_2, \alpha_4, \alpha_6\})$ which is a contradiction to the fact that ϕ is injective. Hence $f_{\text{odd}}^{-1} \circ f_{\text{even}} \neq r$. Since e and $r \circ e$ reverse orientation on each $\beta_i, i = 1, 2, 3$, they do not induce the identity map on the thick edge $\hat{e}_{i,j}, (i,j) \in \{(1,4), (3,6), (2,5)\}$. So $f_{\text{odd}}^{-1} \circ f_{\text{even}} \neq e$ or $r \circ e$ because $f_{\text{odd}}^{-1} \circ f_{\text{even}}$ induces the identity map on those thick edges. Therefore $f_{\text{odd}}^{-1} \circ f_{\text{even}}$ is the identity map on $S_{0,6}$. We conclude that $f_{\text{odd}} = f_{\text{even}}$.

Let $f = f_{\text{odd}} = f_{\text{even}}$ and $Q = Q_{\text{odd}} = Q_{\text{even}}$. We show that $f : S_{0,6} \rightarrow S_{0,m}$ is the unique π_1 -injective embedding with $\phi = f^Q$. The proof follows the same idea as in the proof of $f_{\text{odd}} = f_{\text{even}}$. So we give a brief explanation here. Suppose $h : S_{0,6} \rightarrow S_{0,m}$ is a π_1 -injective embedding that induces $h^W = \phi$ for some deficiency-3 multicurve W on $S_{0,m}$. Since $f^Q = \phi = h^W$, $i(Q, W) = 0$ moreover $f(\beta_i) = h(\beta_i)$ for each non-chain curve $\beta_i, i = 1, 2, 3$. Since $(S_{0,m} - Q)_0$ and $(S_{0,m} - W)_0$ are unique subsurfaces filled by $\bigcup_{i=1}^3 f(\beta_i) = \bigcup_{i=1}^3 h(\beta_i)$, $(S_{0,m} - Q)_0 = (S_{0,m} - W)_0$ and hence $W = Q$. Since $h^{-1} \circ f$ preserves each non-chain curve on $S_{0,6}$ and induces the identity map on X_6 , $h^{-1} \circ f$ is the identity map. Therefore $f = h$.

Next we prove the theorem for $S_{0,n+1}, n + 1 \geq 7$.

We define an embedding of $S_{0,n+1}$ to $S_{0,m}$ that induces ϕ . Let α_i and α_j be two disjoint chain curves on $S_{0,n+1}$. Define a homeomorphism $F_{ij} : S_{0,n+1} \rightarrow S_{0,m}$ by

$$F_{ij} = \begin{cases} f_i & \text{on } (S_{0,n+1} - \alpha_i)_0 \\ f_j & \text{on } (S_{0,n+1} - \alpha_j)_0 \end{cases} . \quad (1)$$

Note that, by Lemma 5.1 and 5.3, $i(Q_i, Q_j) = 0$ and $Q_i \neq Q_j$. We show that f_i agrees with f_j on $(S_{0,n+1} - \{\alpha_i, \alpha_j\})_0 \cong S_{0,n-1}$. Consider the restrictions of f_i and f_j as embeddings on $(S_{0,n+1} - \{\alpha_i, \alpha_j\})_0$. Let $X_{n-1}^{ij} = X_{n+1} \cap$

$\mathcal{P}_{\{\alpha_i, \alpha_j\}}(S_{0, n+1}) \cong X_{n-1}$. Observe that

$$f_i^{Q_i}(v) = \phi(v) = f_j^{Q_j}(v),$$

for any vertex $v \in X_{n-1}^{ij}$. That is, both f_i and f_j induce the simplicial map $\phi_{ij} : X_{n-1}^{ij} \rightarrow \mathcal{P}(S_{0, m})$ defined by $\phi_{ij}(v) = \phi(v)$. Then the uniqueness statement in the induction hypothesis (which applies since $n-1 \geq 5$) implies that f_i agrees with f_j on $(S_{0, n+1} - \{\alpha_i, \alpha_j\})_0$.

Lemma 5.4. *For any four chain curves $\alpha_i, \alpha_j, \alpha_k$, and α_l such that $i(\alpha_i, \alpha_j) = 0 = i(\alpha_k, \alpha_l)$, we have $F_{ij} = F_{kl}$.*

Proof. Consider a graph which has the set of vertices

$$V = \{\{i, j\} | \alpha_i, \alpha_j \text{ are disjoint chain curves on } S_{0, n+1}\},$$

and the set of edges

$$E = \{\{\{i, j\}, \{i, k\}\} | i(\alpha_j, \alpha_k) = 0\}.$$

Fix any two vertices $\{i, j\}$ and $\{k, l\}$. Since $n+1 \geq 7$, it is not hard to see that $\{i, j\}$ and $\{k, l\}$ are connected by a path of length at most 4. Hence this graph is connected.

The Lemma now follows by proving that $F_{ij} = F_{ik}$ for $i(\alpha_i, \alpha_j) = 0 = i(\alpha_i, \alpha_k)$. We show that for any pair $(x, y), x \neq y \in \{i, j, k\}$, f_x agrees with f_y on $(S_{0, n+1} - \{\alpha_x, \alpha_y\})_0$. Since $(S_{0, n+1} - \{\alpha_x, \alpha_y\})_0$ has at least 5 punctures and $f_x^{Q_x}(v) = f_y^{Q_y}(v)$ for any vertex $v \in X_{n-1}^{xy}$, the uniqueness statement in the induction hypothesis implies that f_x agrees with f_y on $(S_{0, n+1} - \{\alpha_x, \alpha_y\})_0$. Hence $F_{ij} = F_{ik}$ as desired. \square

Finally, we show that for any i, j with $i(\alpha_i, \alpha_j) = 0$, then $Q = Q_i \cap Q_j$ and $f = F_{ij} : S_{0, n+1} \rightarrow S_{0, m}$ is the unique π_1 -injective embedding that induces $\phi = f^Q$. To show that f induces ϕ , given a vertex $v \in X_{n+1}$. $v \in X_{n-1}^{pk} = X_{n+1} \cap \mathcal{P}_{\{\alpha_p, \alpha_k\}}(S_{0, n+1})$ for some disjoint chain curves α_p, α_k . Then $Q = Q_i \cap Q_j = Q_p \cap Q_k$ and

$$f^Q(v) = F_{pk}^Q(v) = f_p^{Q_p}(v) = \phi(v),$$

The first equality comes from Lemma 5.4, the second equality comes from equation 1, and the third equality comes from the inductive hypothesis. Hence f induces ϕ .

For uniqueness, assume that there is a π_1 -injective embedding $h : S_{0,n+1} \rightarrow S_{0,m}$ that induces $h^W = \phi$ for some deficiency- $n - 2$ multicurve W on $S_{0,m}$. Let h_i and h_j be restrictions of h on $(S_{0,n+1} - \alpha_i)_0$ and $(S_{0,n+1} - \alpha_j)_0$, respectively. By assumption, h_i induces the same simplicial map on X_n^i as $f_i^{Q_i}$. Hence the uniqueness statement in the induction hypothesis implies that $f_i = h_i$ and $Q_i = W_i$. Similarly, we have $f_j = h_j$ and $Q_j = W_j$. Therefore $f = h$ and $Q = W$ as desired. \square

References

- [1] J. Aramayona, Simplicial embeddings between pants graphs, *Geom. Dedicata*. **144** (2010), no. 1, 115-128. MR2580421
- [2] J. Aramayona and C. J. Leininger, Finite rigid sets in curve complexes, *J. Topol. Anal.* **5** (2013), no. 2, 183-203. MR3062946
- [3] J. Aramayona, H. Parlier, and K. J. Shackleton, Totally geodesic subgraphs of the pants complex, *Math. Res. Lett.* **15** (2008), no. 2, 309-320. MR2385643
- [4] A. Hatcher and W. Thurston, A presentation for the mapping class group of a closed orientable surface, *Topology*. **19** (1980), no. 3, 221-237. MR579573
- [5] N. V. Ivanov, Automorphisms of complexes of curves and of Teichmüller spaces, *Internat. Math. Res. Notices*. **1997** (1997), no. 14, 651-666. MR1460387
- [6] M. Korkmaz, Automorphisms of complexes of curves on punctured spheres and on punctured tori, *Topology Appl.* **95** (1999), no. 2, 85-111. MR1696431
- [7] F. Luo, Automorphisms of the complex of curves, *Topology*. **39** (2000), no. 2, 283-298. MR1722024
- [8] D. Margalit, Automorphisms of the pants complex, *Duke Math. J.* **121** (2004), no. 3, 457-479. MR2040283
- [9] Y. N. Minsky, A geometric approach to the complex of curves on a surface, in: S. Kojima et. al. (Eds.), *Topology and Teichmüller spaces*

(Katinkulta, 1995), World Scientific, River Edge, New Jersey, 1996, pp. 149-158. MR1659683

- [10] K. J. Shackleton, Combinatorial rigidity in curve complexes and mapping class groups, *Pacific J. Math.* **230** (2007), no. 1, 217-232 MR2318453